

(19) World Intellectual Property Organization  
International Bureau



(10) International Publication Number  
**WO 2009/136973 A3**

(43) International Publication Date  
12 November 2009 (12.11.2009)

(51) International Patent Classification:  
G21C 9/00 (2006.01)

(21) International Application Number:  
PCT/US2009/000765

(22) International Filing Date:  
6 February 2009 (06.02.2009)

(25) Filing Language: English

(26) Publication Language: English

(30) Priority Data:  
12/069,907 12 February 2008 (12.02.2008) US  
12/152,293 12 May 2008 (12.05.2008) US

(71) Applicant (for all designated States except US):  
SEARETE LLC [US/US]; 1756 114th Avenue SE Suite 110, Bellevue, WA 98004 (US).

(72) Inventors; and

(75) Inventors/Applicants (for US only): AHLFELD, Charles, E. [US/US]; 6635 Caminito Blythefield, LaJolla, CA 92037 (US). GILLELAND, John, Rogers [US/US]; 13226 67th Avenue N.E., Kirkland, WA 98034 (US). HYDE, Roderick, A. [US/US]; 9915 - 161st Av-

enue N.E., Redmond, WA 98052 (US). ISHIKAWA, Muriel, Y. [US/US]; 1185 Hillcrest Avenue, Livemore, CA 94550-4921 (US). MC ALEES, David, G. [US/US]; 17425 S.E. 46th Place, Bellevue, WA 98006 (US). MYHRVOLD, Nathan, P. [US/US]; C/O Searete LLC, 1756 114th Avenue SE Suite 110, Bellevue, WA 98004 (US). WHITMER, Charles [US/US]; 15509 Uplands Way S.E., North Bend, WA 98054 (US). WOOD, Lowell, L. [US/US]; 989 112th Avenue NE #2310, Bellevue, WA 98004 (US).

(74) Agents: TEGREENE, Clarence, T. et al.; 1756 114th Avenue SE Suite 110, Bellevue, WA 98004 (US).

(81) Designated States (unless otherwise indicated, for every kind of national protection available): AE, AG, AL, AM, AO, AT, AU, AZ, BA, BB, BG, BH, BR, BW, BY, BZ, CA, CH, CN, CO, CR, CU, CZ, DE, DK, DM, DO, DZ, EC, EE, EG, ES, FI, GB, GD, GE, GH, GM, GT, HN, HR, HU, ID, IL, IN, IS, JP, KE, KG, KM, KN, KP, KR, KZ, LA, LC, LK, LR, LS, LT, LU, LY, MA, MD, ME, MG, MK, MN, MW, MX, MY, MZ, NA, NG, NI, NO, NZ, OM, PG, PH, PL, PT, RO, RS, RU, SC, SD, SE, SG, SK, SL, SM, ST, SV, SY, TJ, TM, TN, TR, TT, TZ, UA, UG, US, UZ, VC, VN, ZA, ZM, ZW.

[Continued on next page]

(54) Title: SYSTEM AND METHOD FOR OPERATING A MODULAR NUCLEAR FISSION DEFLAGRATION WAVE REACTOR

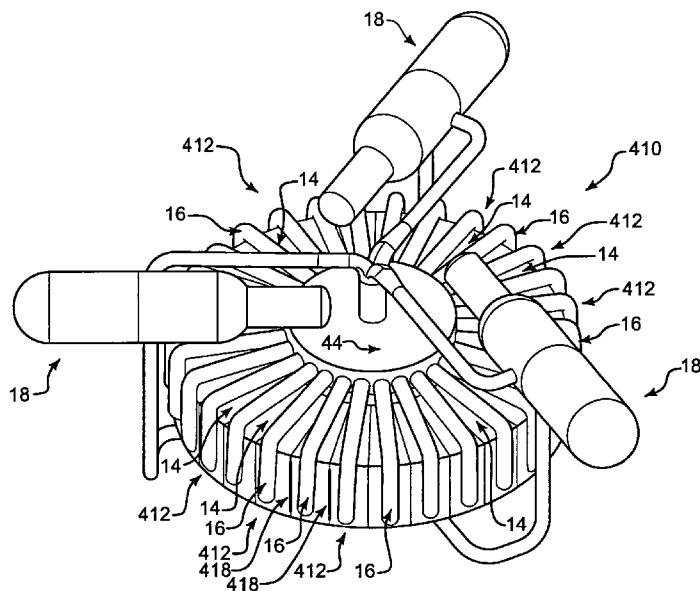


FIG.4A

(57) Abstract: Illustrative embodiments provide modular nuclear fission deflagration wave reactors and methods for their operation. Illustrative embodiments and aspects include, without limitation, modular nuclear fission deflagration wave reactors, modular nuclear fission deflagration wave reactor modules, methods of operating a modular nuclear fission deflagration wave reactor, and the like.



WO 2009/136973 A3

**(84) Designated States** (*unless otherwise indicated, for every kind of regional protection available*): ARIPO (BW, GH, GM, KE, LS, MW, MZ, NA, SD, SL, SZ, TZ, UG, ZM, ZW), Eurasian (AM, AZ, BY, KG, KZ, MD, RU, TJ, TM), European (AT, BE, BG, CH, CY, CZ, DE, DK, EE, ES, FI, FR, GB, GR, HR, HU, IE, IS, IT, LT, LU, LV, MC, MK, MT, NL, NO, PL, PT, RO, SE, SI, SK, TR), OAPI (BF, BJ, CF, CG, CI, CM, GA, GN, GQ, GW, ML, MR, NE, SN, TD, TG).

**Published:**

— *with international search report (Art. 21(3))*

**(88) Date of publication of the international search report:**

14 January 2010

## INTERNATIONAL SEARCH REPORT

International application No.

PCT/US 09/00765

<b>A. CLASSIFICATION OF SUBJECT MATTER</b> IPC(8) - G21C 9/00 (2009.01) USPC - 376/287 According to International Patent Classification (IPC) or to both national classification and IPC		
<b>B. FIELDS SEARCHED</b> Minimum documentation searched (classification system followed by classification symbols) USPC: 376/287 Documentation searched other than minimum documentation to the extent that such documents are included in the fields searched USPC: 376/260, 347, 900, 287 (text search - see terms below) Electronic data base consulted during the international search (name of data base and, where practicable, search terms used) PubWEST(USPT,PGPB,EPAB,JPAB); Google Scholar, Dialog Web (DB:344, 347, 348, 349, 371, 654, 345, 351, 65, 35, 2) Search Terms: thorium, fuel, nuclear, reactor, wave reactor, fission, shield, holder, receiver, neutron, coupled, connected, fluid, lithium, europium, tantalum, lead, rhenium, gold, platinum, hafnium, boron, carbon, beryllium, transl		
<b>C. DOCUMENTS CONSIDERED TO BE RELEVANT</b>		
Category*	Citation of document, with indication, where appropriate, of the relevant passages	Relevant to claim No.
X --- Y	Teller, Edward, "Nuclear Energy for the Third Millennium", International Conference on Environment and Nuclear Energy, 27-29 October 1997 (27-29.10.1997), entire document, especially; FIG. 1, 2, pg 2, para 2, 3, pg 3, para 3, 4, pg 4, para 1-4.	1-16, 20-28, 30, 32-43, 47/(43), 48/(43), 50/(42), 52/(42), 68/(26,42) ----- 17-19, 29, 31, 44-46, 47/(46), 48/(46), 49, 50/(44), 51, 52/(44), 53-67, 68/(54), 69, 70
Y	US 2003/0174802 A1 (HARE) 18 September 2003 (18.09.2003), entire document, especially; para [0001], [0002], [0006], [0065].	17-19
Y	US 5,241,573 A (THACKER) 31 August 1993 (31.08.1993), entire document, especially; FIG. 6, 9, col 1, ln 33-58, col 3, ln 21-57.	29, 31, 49/(43), 49/(46), 51/(42), 51/(44)
Y	US 2006/0056572 A1 (LECOMTE) 16 March 2006 (16.03.2006), entire document, especially; para [0078].	44-46, 47/(46), 48/(46), 50/(44), 52/(44), 53-67, 68/(54), 69, 70
<input type="checkbox"/> Further documents are listed in the continuation of Box C. <input type="checkbox"/>		
* Special categories of cited documents: "A" document defining the general state of the art which is not considered to be of particular relevance "E" earlier application or patent but published on or after the international filing date "L" document which may throw doubts on priority claim(s) or which is cited to establish the publication date of another citation or other special reason (as specified) "O" document referring to an oral disclosure, use, exhibition or other means "P" document published prior to the international filing date but later than the priority date claimed "T" later document published after the international filing date or priority date and not in conflict with the application but cited to understand the principle or theory underlying the invention "X" document of particular relevance; the claimed invention cannot be considered novel or cannot be considered to involve an inventive step when the document is taken alone "Y" document of particular relevance; the claimed invention cannot be considered to involve an inventive step when the document is combined with one or more other such documents, such combination being obvious to a person skilled in the art "&" document member of the same patent family		
Date of the actual completion of the international search 28 September 2009 (28.09.2009)		Date of mailing of the international search report <b>13 OCT 2009</b>
Name and mailing address of the ISA/US Mail Stop PCT, Attn: ISA/US, Commissioner for Patents P.O. Box 1450, Alexandria, Virginia 22313-1450 Facsimile No. 571-273-3201		Authorized officer: Lee W. Young PCT Helpdesk: 571-272-4300 PCT OSP: 571-272-7774