

(19) World Intellectual Property Organization
International Bureau



(43) International Publication Date
31 March 2005 (31.03.2005)

PCT

(10) International Publication Number
WO 2005/027994 A3

- (51) International Patent Classification⁷: **A61M 5/32**
- (21) International Application Number:
PCT/US2004/030173
- (22) International Filing Date:
15 September 2004 (15.09.2004)
- (25) Filing Language: English
- (26) Publication Language: English
- (30) Priority Data:
60/503,357 15 September 2003 (15.09.2003) US
- (71) Applicant (for all designated States except US): **ATRIUM MEDICAL CORPORATION** [US/US]; 5 Wentworth Drive, Hudson, NH 03051 (US).

(81) Designated States (unless otherwise indicated, for every kind of national protection available): AE, AG, AL, AM, AT, AU, AZ, BA, BB, BG, BR, BW, BY, BZ, CA, CH, CN, CO, CR, CU, CZ, DE, DK, DM, DZ, EC, EE, EG, ES, FI, GB, GD, GE, GH, GM, HR, HU, ID, IL, IN, IS, JP, KE, KG, KP, KR, KZ, LC, LK, LR, LS, LT, LU, LV, MA, MD, MG, MK, MN, MW, MX, MZ, NA, NI, NO, NZ, OM, PG, PH, PL, PT, RO, RU, SC, SD, SE, SG, SK, SL, SY, TJ, TM, TN, TR, TT, TZ, UA, UG, US, UZ, VC, VN, YU, ZA, ZM, ZW.

(84) Designated States (unless otherwise indicated, for every kind of regional protection available): ARIPO (BW, GH, GM, KE, LS, MW, MZ, NA, SD, SL, SZ, TZ, UG, ZM, ZW), Eurasian (AM, AZ, BY, KG, KZ, MD, RU, TJ, TM), European (AT, BE, BG, CH, CY, CZ, DE, DK, EE, ES, FI, FR, GB, GR, HU, IE, IT, LU, MC, NL, PL, PT, RO, SE, SI, SK, TR), OAPI (BF, BJ, CF, CG, CI, CM, GA, GN, GQ, GW, ML, MR, NE, SN, TD, TG).

- (72) Inventors; and
- (75) Inventors/Applicants (for US only): **HERWECK, Steve, A.** [US/US]; 4 Crestwood Lane, Nashua, NH 03062 (US). **MARTAKOS, Paul** [US/US]; 1 Regis Drive, Pelham, NH 03076 (US). **MOODIE, Geoffrey** [US/US]; 4 Sterling Way, Hudson, NH 03051 (US). **LABRECQUE, Roger** [US/US]; 20 Buckingham Drive, Londonderry, NH 03053 (US). **KARWOSKI, Theodore** [US/US]; 61 Hannah Drive, Hollis, NH 03049 (US). **CARLTON, Trevor** [US/US]; 1 Copeland Drive, Hudson, NH 03051 (US).

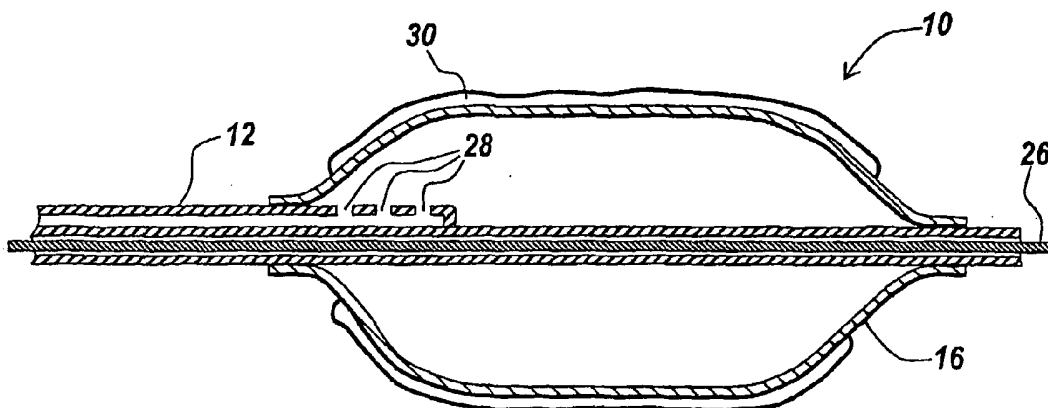
Published:
— with international search report
— before the expiration of the time limit for amending the claims and to be republished in the event of receipt of amendments

(88) Date of publication of the international search report:
4 May 2006

- (74) Agents: **CANNING, Kevin, J.** et al.; Lahive & Cockfield, LLP, 28 State Street, Boston, MA 02109 (US).

For two-letter codes and other abbreviations, refer to the "Guidance Notes on Codes and Abbreviations" appearing at the beginning of each regular issue of the PCT Gazette.

(54) Title: APPLICATION OF A THERAPEUTIC SUBSTANCE TO A TISSUE LOCATION USING A POROUS MEDICAL DEVICE



(57) Abstract: A non-polymeric or biological coating applied to porous radially expandable interventional medical devices provides uniform drug distribution and permeation of the coating and any therapeutic agents mixed therewith into a targeted treatment area within the body. The coating is sterile, and is capable of being carried by a sterile medical device to a targeted tissue location within the body following radial expansion. The therapeutic coating transfers off the medical device due in part to a biological attraction with the tissue and in part to a physical transference from the medical device to the targeted tissue location in contact with the medical device. Thus, atraumatic local tissue transference delivery is achieved for uniform therapeutic agent distribution and controlled bio-absorption into the tissue after placement within a patient's body with a non-inflammatory coating.

WO 2005/027994 A3

INTERNATIONAL SEARCH REPORT

International application No.

PCT/US04/30173

A. CLASSIFICATION OF SUBJECT MATTER
 IPC (8): **A61M 5/32(2006.01)**

USPC: **604/265**
 According to International Patent Classification (IPC) or to both national classification and IPC

B. FIELDS SEARCHED

Minimum documentation searched (classification system followed by classification symbols)
 U.S. : 604/265, 264, 96.01

Documentation searched other than minimum documentation to the extent that such documents are included in the fields searched

Electronic data base consulted during the international search (name of data base and, where practicable, search terms used)

C. DOCUMENTS CONSIDERED TO BE RELEVANT

Category *	Citation of document, with indication, where appropriate, of the relevant passages	Relevant to claim No.
A	US 6541116 A (Michal et al.) 01 April 2003 Note: Please review the entire patent.	1-27
A	US 6287285 B1(Michal et al.) 11 September 2001 Note: Please review the entire patent.	1-27

Further documents are listed in the continuation of Box C. See patent family annex.

* Special categories of cited documents:	
"A" document defining the general state of the art which is not considered to be of particular relevance	"T" later document published after the international filing date or priority date and not in conflict with the application but cited to understand the principle or theory underlying the invention
"E" earlier application or patent published on or after the international filing date	"X" document of particular relevance; the claimed invention cannot be considered novel or cannot be considered to involve an inventive step when the document is taken alone
"L" document which may throw doubts on priority claim(s) or which is cited to establish the publication date of another citation or other special reason (as specified)	"Y" document of particular relevance; the claimed invention cannot be considered to involve an inventive step when the document is combined with one or more other such documents, such combination being obvious to a person skilled in the art
"O" document referring to an oral disclosure, use, exhibition or other means	"&" document member of the same patent family
"P" document published prior to the international filing date but later than the priority date claimed	

Date of the actual completion of the international search 20 February 2006 (20.02.2006)	Date of mailing of the international search report 08 MAR 2006
--	--

Name and mailing address of the ISA/US Mail Stop PCT, Attn: ISA/US Commissioner for Patents P.O. Box 1450 Alexandria, Virginia 22313-1450 Facsimile No. (571) 273-3201	Authorized officer <i>FOR</i> Manuel Mendez <i>Jugencia Leby</i> Telephone No. 703-000-0000
---	--