

(19) World Intellectual Property Organization
International Bureau



(43) International Publication Date
27 February 2003 (27.02.2003)

PCT

(10) International Publication Number
WO 2003/017478 A3

- (51) International Patent Classification⁷: **H03F 1/32**
- (21) International Application Number:
PCT/CA2002/001254
- (22) International Filing Date: 13 August 2002 (13.08.2002)
- (25) Filing Language: English
- (26) Publication Language: English
- (30) Priority Data:
60/312,026 14 August 2001 (14.08.2001) US
- (71) Applicant (for all designated States except US): **RED-LINE COMMUNICATIONS INC.** [CA/CA]; 102-90 Tiverton Court, Toronto, Ontario L3R 9V2 (CA).

- (81) Designated States (national): AE, AG, AL, AM, AT, AU, AZ, BA, BB, BG, BR, BY, BZ, CA, CH, CN, CO, CR, CU, CZ, DE, DK, DM, DZ, EC, EE, ES, FI, GB, GD, GE, GH, GM, HR, HU, ID, IL, IN, IS, JP, KE, KG, KP, KR, KZ, LC, LK, LR, LS, LT, LU, LV, MA, MD, MG, MK, MN, MW, MX, MZ, NO, NZ, OM, PH, PL, PT, RO, RU, SD, SE, SG, SI, SK, SL, TJ, TM, TN, TR, TT, TZ, UA, UG, US, UZ, VC, VN, YU, ZA, ZM, ZW.
- (84) Designated States (regional): ARIPO patent (GH, GM, KE, LS, MW, MZ, SD, SL, SZ, TZ, UG, ZM, ZW), Eurasian patent (AM, AZ, BY, KG, KZ, MD, RU, TJ, TM), European patent (AT, BE, BG, CH, CY, CZ, DE, DK, EE, ES, FI, FR, GB, GR, IE, IT, LU, MC, NL, PT, SE, SK, TR), OAPI patent (BF, BJ, CF, CG, CI, CM, GA, GN, GQ, GW, ML, MR, NE, SN, TD, TG).

- (72) Inventor; and
- (75) Inventor/Applicant (for US only): **MOLDOVEANU, Calin** [CA/CA]; 15 King's Inn Trail, Thornhill, Ontario L3T 1B6 (CA).
- (74) Agents: **SMITH, Dallas, F.** et al.; Gowling Lafleur Henderson LLP, Suite 2600, 160 Elgin Street, Ottawa, Ontario K1P 1C3 (CA).

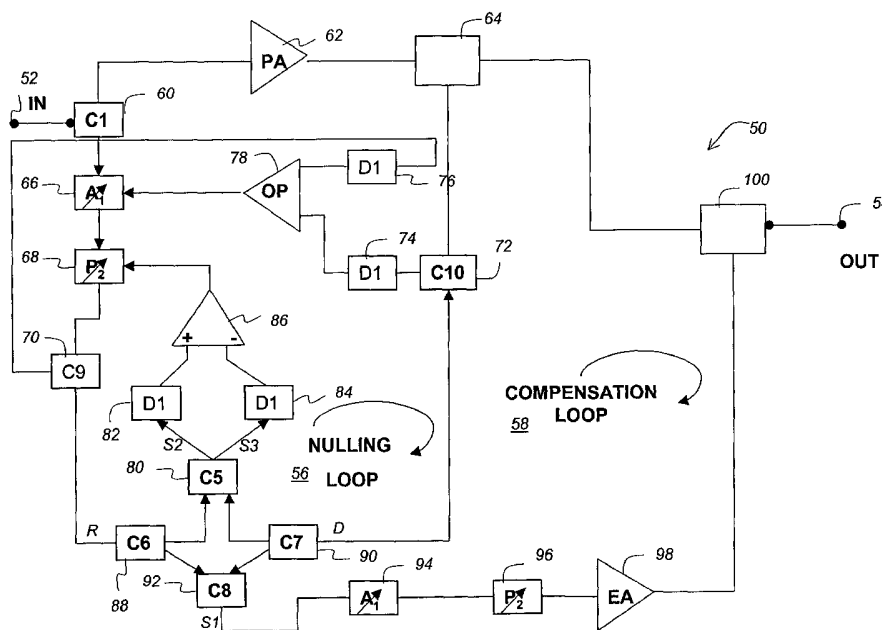
Published:

- with international search report
- before the expiration of the time limit for amending the claims and to be republished in the event of receipt of amendments

(88) Date of publication of the international search report:
19 February 2004

[Continued on next page]

(54) Title: FEED FORWARD COMPENSATION CIRCUIT



(57) Abstract: A feed forward compensation circuit for a radio frequency power amplifier includes a nulling loop and a compensation loop. The nulling loop includes active components that provide feedback to the amplitude and phase adjusters. This feedback compensates for component drift and ensures stable operation. In a preferred embodiment the active components include operational amplifiers that compare input and output signals to determine when adjustments are needed.

WO 2003/017478 A3



For two-letter codes and other abbreviations, refer to the "Guidance Notes on Codes and Abbreviations" appearing at the beginning of each regular issue of the PCT Gazette.

INTERNATIONAL SEARCH REPORT

International Application No
PCT/JP 02/01254

A. CLASSIFICATION OF SUBJECT MATTER
IPC 7 H03F1/32

According to International Patent Classification (IPC) or to both national classification and IPC

B. FIELDS SEARCHED

Minimum documentation searched (classification system followed by classification symbols)
IPC 7 H03F

Documentation searched other than minimum documentation to the extent that such documents are included in the fields searched

Electronic data base consulted during the international search (name of data base and, where practical, search terms used)

PAJ, WPI Data, EPO-Internal

C. DOCUMENTS CONSIDERED TO BE RELEVANT

| Category ° | Citation of document, with indication, where appropriate, of the relevant passages | Relevant to claim No. |
|------------|--|-----------------------|
| X | US 5 528 196 A (MUCENIEKS LANCE T ET AL) 18 June 1996 (1996-06-18) the whole document | 1-5,8 |
| X | EID E E ET AL: "ADAPTIVE NULLING LOOP CONTROL FOR 1.7-GHZ FEEDFORWARD LINEARIZATION SYSTEMS" IEEE TRANSACTIONS ON MICROWAVE THEORY AND TECHNIQUES, IEEE INC. NEW YORK, US, vol. 45, no. 1, 1997, pages 83-86, XP000642638 ISSN: 0018-9480 | 1-4,8 |
| A | the whole document | 7 |
| X | US 5 148 117 A (TALWAR ASHOK K) 15 September 1992 (1992-09-15) | 1,8 |
| A | the whole document | 2-7 |

Further documents are listed in the continuation of box C.

Patent family members are listed in annex.

° Special categories of cited documents :

- *A* document defining the general state of the art which is not considered to be of particular relevance
- *E* earlier document but published on or after the international filing date
- *L* document which may throw doubts on priority claim(s) or which is cited to establish the publication date of another citation or other special reason (as specified)
- *O* document referring to an oral disclosure, use, exhibition or other means
- *P* document published prior to the international filing date but later than the priority date claimed

- *T* later document published after the international filing date or priority date and not in conflict with the application but cited to understand the principle or theory underlying the invention
- *X* document of particular relevance; the claimed invention cannot be considered novel or cannot be considered to involve an inventive step when the document is taken alone
- *Y* document of particular relevance; the claimed invention cannot be considered to involve an inventive step when the document is combined with one or more other such documents, such combination being obvious to a person skilled in the art.
- *&* document member of the same patent family

Date of the actual completion of the international search

12 December 2003

Date of mailing of the international search report

13/01/2004

Name and mailing address of the ISA
European Patent Office, P.B. 5818 Patentlaan 2
NL - 2280 HV Rijswijk
Tel. (+31-70) 340-2040, Tx. 31 651 epo nl,
Fax: (+31-70) 340-3016

Authorized officer

Jepsen, J

INTERNATIONAL SEARCH REPORT
annex on patent family members

International application No
PCT/CA 02/01254

| Patent document cited in search report | | Publication date | | Patent family member(s) | | Publication date |
|--|---|------------------|----|-------------------------|--|------------------|
| US 5528196 | A | 18-06-1996 | US | 5644268 A | | 01-07-1997 |
| US 5148117 | A | 15-09-1992 | CA | 2083589 A1 | | 26-05-1993 |
| | | | GB | 2262007 A | | 02-06-1993 |