



(51) International Patent Classification:
H04W 76/00 (2009.01) H04W 28/00 (2009.01)

(21) International Application Number:
PCT/CN2017/104082

(22) International Filing Date:
28 September 2017 (28.09.2017)

(25) Filing Language: English

(26) Publication Language: English

(30) Priority Data:
62/402,666 30 September 2016 (30.09.2016) US
62/405,348 07 October 2016 (07.10.2016) US
15/704,819 14 September 2017 (14.09.2017) US

(71) Applicant: HUAWEI TECHNOLOGIES CO., LTD. [CN/CN]; Huawei Administration Building, Bantian, Longgang District, Shenzhen, Guangdong 518129 (CN).

(72) Inventors: DAO, Ngoc Dung; 242 Huntsville Drive, Ottawa, Ontario K2T 0C7 (CA). LI, Xu; 309 Lecanto Terrace, Nepean, Ontario K2J 0M4 (CA). ZHANG, Hang; 24 Gardengate Way, Nepean, Ontario K2G 5Z1 (CA).

(81) Designated States (unless otherwise indicated, for every kind of national protection available): AE, AG, AL, AM, AO, AT, AU, AZ, BA, BB, BG, BH, BN, BR, BW, BY, BZ, CA, CH, CL, CN, CO, CR, CU, CZ, DE, DJ, DK, DM, DO, DZ, EC, EE, EG, ES, FI, GB, GD, GE, GH, GM, GT, HN, HR, HU, ID, IL, IN, IR, IS, JO, JP, KE, KG, KH, KN, KP, KR, KW, KZ, LA, LC, LK, LR, LS, LU, LY, MA, MD, ME, MG, MK, MN, MW, MX, MY, MZ, NA, NG, NI, NO, NZ, OM, PA, PE, PG, PH, PL, PT, QA, RO, RS, RU, RW, SA,

(54) Title: METHOD AND APPARATUS FOR DATA TRANSMISSION INVOLVING TUNNELING IN WIRELESS COMMUNICATION NETWORKS

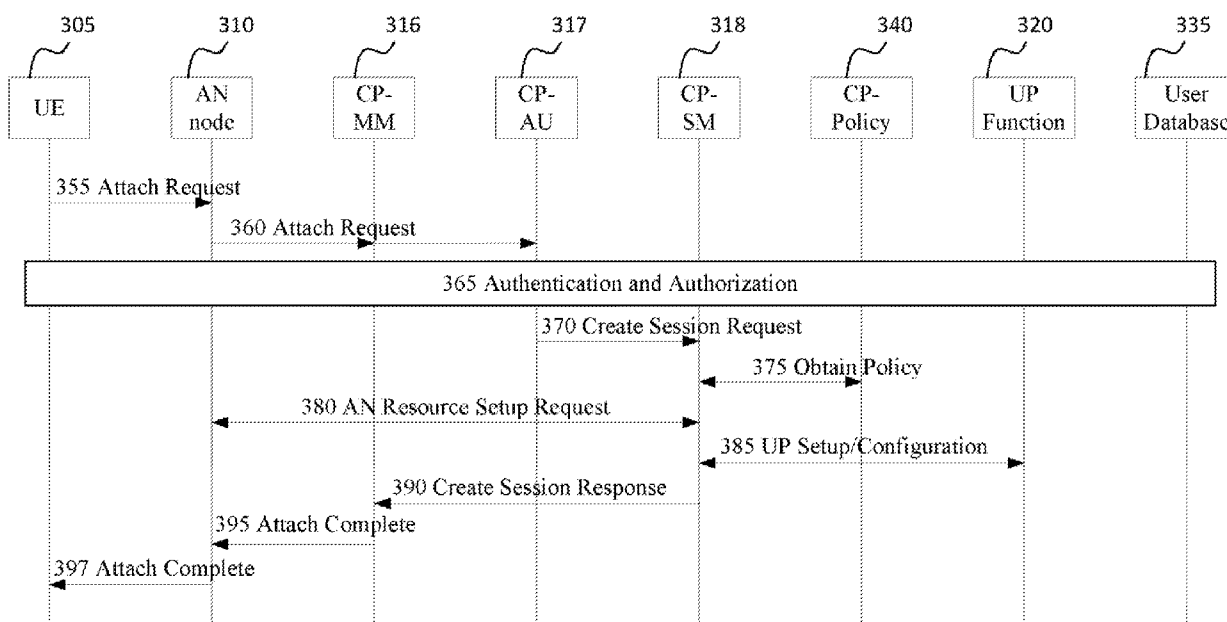


FIG. 4

(57) Abstract: A method and apparatus for connecting a user equipment (UE) to a wireless communication network such as a 5th generation network. The network supports node-level tunnelling. Node-level tunnels can be pre-configured prior to receipt of UE attach requests. The tunnels can be shared by plural UEs, flows, or services. A policy function is connected to a network management function and performs tasks such as applying constraints to the node-level tunnels. A session management function pre-establishes node-level tunnels based on policy information from the policy function. Operations of network elements such as the access network node and user plane function to handle UE attachment, session establishment, and handling of mobile-originated and mobile-terminated traffic are described. Also described is a method and apparatus for packet transmission in which packets are



SC, SD, SE, SG, SK, SL, SM, ST, SV, SY, TH, TJ, TM, TN,
TR, TT, TZ, UA, UG, US, UZ, VC, VN, ZA, ZM, ZW.

- (84) Designated States** (*unless otherwise indicated, for every kind of regional protection available*): ARIPO (BW, GH, GM, KE, LR, LS, MW, MZ, NA, RW, SD, SL, ST, SZ, TZ, UG, ZM, ZW), Eurasian (AM, AZ, BY, KG, KZ, RU, TJ, TM), European (AL, AT, BE, BG, CH, CY, CZ, DE, DK, EE, ES, FI, FR, GB, GR, HR, HU, IE, IS, IT, LT, LU, LV, MC, MK, MT, NL, NO, PL, PT, RO, RS, SE, SI, SK, SM, TR), OAPI (BF, BJ, CF, CG, CI, CM, GA, GN, GQ, GW, KM, ML, MR, NE, SN, TD, TG).

Declarations under Rule 4.17:

- *as to the applicant's entitlement to claim the priority of the earlier application (Rule 4.17(iii))*

Published:

- *with international search report (Art. 21(3))*

METHOD AND APPARATUS FOR DATA TRANSMISSION INVOLVING TUNNELING IN WIRELESS COMMUNICATION NETWORKS

CROSS-REFERENCE TO RELATED APPLICATIONS

5 [0001] The present application claims priority from U.S. Provisional Patent Application No. 62/402,666, filed on September 30, 2016, and entitled: METHOD AND APPARATUS FOR EFFICIENT DATA TRANSMISSION INVOLVING NODE-LEVEL TUNNELING IN WIRELESS COMMUNICATION NETWORKS; to U.S. Provisional Patent Application No. 62/405,348, filed on October 7, 2016, and entitled: METHOD AND SYSTEM FOR USER
10 PLANE TRANSMISSION; and to U.S. Non-Provisional Application No. 15/704,819, filed September 14, 2017, and entitled: METHOD AND APPARATUS FOR DATA TRANSMISSION INVOLVING TUNNELING IN WIRELESS COMMUNICATION NETWORKS; all of which are incorporated herein by reference in their entirety.

FIELD OF THE INVENTION

15 [0002] The present invention pertains to the field of wireless communication networks and in particular to a method and apparatus for efficiently transmitting data in such networks, and in which node-level tunneling protocols are involved.

BACKGROUND

[0003] The 3rd Generation Partnership Project (3GPP) technical report numbered TR
20 23.799 and entitled “Study on Architecture for Next Generation System,” version 1.0.0, September 2016 (hereinafter referred to as TR 23.799), represents one approach to the design of a system architecture for next generation mobile networks, also referred to as 5th generation (5G) networks. Section 6.4 of this document considers potential solutions to the key issue of session management in such networks. Subsection 6.4.11 of the same document
25 considers a user plane (UP) protocol model involving per node-level tunneling, proposed as a solution for supporting session management. In particular, a common tunnel is provided for all traffic between each relevant pair of network functions. However, the proposals outlined in TR 23.799 are subject to development and improvement.

[0004] Furthermore, network operators serve various sets of demands for different types of user equipment (UE) accessing different services. It is expected that future networks will require increasing flexibility to accommodate an increasing number of devices, types of devices and services. In current LTE networks, user plane traffic flows between an eNodeB
5 (eNB), service gateway (SGW) and packet (PGW).

[0005] GPRS Tunneling Protocol (GTP) is an internet protocol/user datagram protocol (IP/UDP)-based protocol that can be used to carry tunnel-specific signaling traffic between Global System for Mobile Communications (GSM), Universal Mobile Telecommunications System (UMTS) and 3GPP Long Term Evolution (LTE) core networks. GTP protocols
10 enable user equipment (UE) mobility by maintaining a constant IP address or tunnel through which user packets are transmitted regardless of UE location. Multiple tunnels between virtual network endpoints can be specified through GTP protocols to customize services available to the same UE or subscriber.

[0006] GTP-U is a simple IP-based form of GTP protocol which enables user traffic to be
15 transmitted across tunnels selected from multiple available tunnels between virtual network endpoints. In LTE, user IP-encapsulated packets are transmitted in an uplink path tunnel along the evolved Universal Terrestrial Radio Access Network (eUTRAN) control plane to the evolved NodeB (eNodeB) base station. At the eNodeB, packets are appended with a UDP header specifying a Tunnel Endpoint Identifier (TEID), which specifies which user plane (UP)
20 tunnel within the virtual network packets will be forwarded through depending on the service required. A similar process of encapsulating and transmitting user packets along TEID-defined tunnels between virtual network endpoints can also be employed along a downlink tunnel path that terminates at an eNodeB base station. However, as the number of devices and services offered increases, a more flexible approach is needed.

[0007] Therefore there is a need for a method and apparatus for efficiently transmitting data
25 in wireless communication networks such as proposed 5G networks, in which per node-level tunneling is involved, that obviates or mitigates one or more limitations of the prior art.

[0008] This background information is provided to reveal information believed by the applicant to be of possible relevance to the present invention. No admission is necessarily
30 intended, nor should be construed, that any of the preceding information constitutes prior art against the present invention.

SUMMARY

[0009] An object of embodiments of the present invention is to provide a method and apparatus for efficiently transmitting data in wireless communication networks such as proposed 5G networks, in which per node-level tunnelling is involved.

5 [0010] In accordance with embodiments of the present invention, which can be combined with preceding embodiments, there is provided a method for providing a node-level tunnel in a communication network. The method may be performed by a session management function operating in the communication network, or a corresponding apparatus comprising a processor, memory, and network interface. The method includes receiving policy
10 information from a policy function. The method further includes establishing the node-level tunnel based on the received policy information. The node-level tunnel is established prior to reception, by the session management function, of session requests involving a User Equipment (UE), the session requests to be accommodated using the node-level tunnel.

[0011] In accordance with embodiments of the present invention, which can be combined
15 with preceding embodiments, there is provided a session management function operating in a communication network. The session management function may be embodied in an equivalent network apparatus. The session management function is operated using a processor, a memory and a network interface. The session management function is configured to receive, via the network interface, policy information from a policy function.
20 The session management function is further configured to establish, via instructions transmitted through the network interface, a node-level tunnel in the communication network based on the received policy information. The node-level tunnel is established prior to reception, by the session management function, of session requests involving a User Equipment (UE), the session requests to be accommodated using the node-level tunnel.

25 [0012] In accordance with embodiments of the present invention, which can be combined with preceding embodiments, the node-level tunnel may be configured based on logical network configuration information, stored information related to the UE, or both. Associating the node-level tunnel with UE context information may be performed upon request by an access node and may include transmitting the context information to the access
30 node. Associating the node-level tunnel with the UE context information may include selecting one of a plurality of pre-configured node-level tunnels as the node-level tunnel,

based on the policy information and further information, such as selection assistance information, provided by the access network node.

[0013] In some embodiments, which can be combined with preceding embodiments, the session management function may pre-assign, based on the policy information, one or more data flows, session, and UEs to one of a plurality of node-level tunnels, including the node level tunnel.

[0014] In some embodiments, which can be combined with preceding embodiments, the policy information includes one or more of: Quality of Service (QoS) information for the UE; charging policies for the UE; a traffic routing policy for the UE; a maximum bit rate to be accommodated by the node-level tunnel; a maximum number of UEs having traffic carried by the node-level tunnel; a designation of types of devices to be served by the node-level tunnel; and an indication of types of services to be served by the node-level tunnel.

[0015] In some embodiments, which can be combined with preceding embodiments, the policy is indicative that, when congestion occurs at an exit node of the node-level tunnel, packets are to be dropped at an entrance node of the node-level tunnel, the session management function further configured to instruct the entrance node to drop packets in response to congestion at the exit node.

[0016] In some embodiments, which can be combined with preceding embodiments, the node-level tunnel is shared by a group of UEs defined by a predetermined characteristic and consisting of less than all UEs, or the pre-configured node-level tunnel is used to provide a particular service to the UE, the service belonging to a group of services defined by a predetermined characteristic and consisting of less than all services available.

[0017] In accordance with embodiments of the present invention, which can be combined with preceding embodiments, there is provided a method for connecting a user equipment (UE) to a network. The method comprises, by an access network node: receiving an attach request from the UE, the attach request including destination packet data network information; obtaining UE context (also referred to as context information) corresponding to that UE and attach request; and transmitting an attach complete message to the UE, the attach complete message including a radio resource configuration for use by the UE when performing one or both of: transmitting uplink data; and receiving downlink data.

- 5 [0018] In some embodiments, which can be combined with preceding embodiments, the UE context is obtained by matching the received attach request to context information available to the access network node. The access network node may include or be coupled to a storage which stores context information. The storage can be local or dedicated to the access network node. The access network node is configured to check this storage first and retrieve the context information therefrom if available. Otherwise, the access node may interact with other network nodes to create and/or obtain the context information, whereupon the context information is also stored in the storage. The context information can later be deleted in response to a trigger condition.
- 10 [0019] In some embodiments, which can be combined with preceding embodiments, the method further includes, prior to receiving the attach request: establishing and maintaining (storing) the context information at the access node, and pre-configuring a node-level tunnel associated with the UE for uplink communication, downlink communication, or both. The node-level tunnel may be used by multiple UEs, for example concurrently, over time, or both.
- 15 [0020] In some embodiments, which can be combined with preceding embodiments, the UE context is obtained by the access network node further carrying out the steps of: transmitting an attach request message to control plane functions available on the network; receiving a request from the control plane functions to setup resources, obtain operator policy information, or both, for a session corresponding to the attach request and setting up
20 corresponding session resources; and receiving an attach complete message from the control plane functions.
- [0021] In some embodiments, which can be combined with preceding embodiments, the access network node also maintains the received context information in a data store available to the access network node.
- 25 [0022] In some embodiments, which can be combined with preceding embodiments, the access network node further receives, from control plane functions available on the network, UE context removal criteria provided by a policy function in communication with the control plane functions and network management; and, if the UE context removal criteria are met, the method further comprises removing the UE context from a data store available to the network
30 access node.

[0023] In some embodiments, which can be combined with preceding embodiments, the UE context removal criteria comprises at least one of: after a timeout period has expired without receiving any uplink or downlink PDU associated with the attachment; and, receiving an updated UE context message from the control plane functions.

5 [0024] In accordance with embodiments of the present invention, which can be combined with preceding embodiments, there is provided a method for supporting communication in a wireless communication network. The method includes: applying, using a policy function operating within the wireless communication network, constraints on a node-level tunnel used for communicating plural types of traffic between a pair of network functions of the
10 wireless communication network.

[0025] In accordance with embodiments of the present invention, which can be combined with preceding embodiments, there is provided a method for handling mobile-originated packet data traffic in a wireless communication network. The method includes: receiving, from a user equipment (UE), an uplink protocol data unit (PDU) packet at an access network
15 (AN) node over a radio channel; and encapsulating the PDU packet according to a node-level tunnel format and forwarding the encapsulated PDU packet to a user plane function (UPF) via a pre-configured uplink tunnel.

[0026] In some embodiments, which can be combined with preceding embodiments, upon receipt of the PDU packet, the user plane function processes the packet according to a user
20 plane UE context associated with the packet.

[0027] Some embodiments, which can be combined with preceding embodiments, further include: receiving, by the user plane function (UPF), a downlink packet for the UE; determining, from the user plane UE context, a pre-configured downlink tunnel toward the access network node, and forwarding the downlink packet via the downlink tunnel.

25 [0028] In accordance with embodiments of the present invention, which can be combined with preceding embodiments, there is provided a method for handling mobile-terminated packet data traffic in a wireless communication network. The method includes receiving a downlink protocol data unit (PDU) packet at a user plane function (UPF) in the wireless communication network; processing, by the user plane function (UPF), the downlink PDU
30 packet according to a stored user plane user equipment (UE) context; and encapsulating the downlink PDU packet by the user plane function (UPF) and forwarding the encapsulated

downlink PDU packet to an access network node via a pre-configured node-level tunnel according to the UE context.

[0029] Some embodiments, which can be combined with preceding embodiments, further include by the access node: processing the encapsulated downlink PDU packet according to the stored UE context and tunnel header information provided according to the encapsulation; and forwarding the downlink PDU packet to the UE.

[0030] Some embodiments, which can be combined with preceding embodiments, further include receiving an uplink PDU packet from the UE by the access node; processing the uplink PDU packet according to the stored UE context; and encapsulating and forwarding the uplink PDU packet via the pre-configured node-level tunnel according to the stored UE context.

[0031] Some embodiments, which can be combined with preceding embodiments, further include receiving the encapsulated uplink PDU packet from the access node by the user plane function (UPF); processing the encapsulated uplink PDU packet according to the stored UE context; removing an encapsulation header of the encapsulated uplink PDU packet; and forwarding the uplink PDU packet.

[0032] In accordance with embodiments of the present invention, which can be combined with preceding embodiments, there is provided an access node of a wireless communication network, the access node comprising a wireless communication interface, a network interface, a microprocessor and a memory. The access node is configured to: receive, via the wireless communication interface, an attach request from the UE, the attach request including destination packet data network information; obtain UE context corresponding to that UE and attach request; and transmit, via the wireless communication interface, an attach complete message to the UE, the attach complete message including a radio resource configuration for use by the UE when performing one or both of: transmitting uplink data; and receiving downlink data.

[0033] In accordance with embodiments of the present invention, which can be combined with preceding embodiments, there is provided an apparatus implementing a policy function in a wireless communication network, the apparatus comprising a network interface, a microprocessor, and a memory. The policy function is configured to apply constraints on a node-level tunnel used for communicating plural types of traffic between a pair of network

functions of the wireless communication network. A tunnel can be constrained to carry only certain traffic. Furthermore, multiple node-level tunnels between the same pair of nodes can be provided, each constrained to carry different traffic.

5 [0034] The node-level tunnel can be preconfigured to transfer different traffic types from a group of users, which may have certain QoS requirements. Between two network functions, there can be multiple node-level tunnels for different groups of users or different traffic types. Embodiments of the present invention, which can be combined with preceding embodiments, include node-level tunnels which provide flexible packet transfer, while simplifying the session establishment procedures for certain types of UE, such as fixed devices, or certain
10 types of traffic from a group of users, or traffic of certain services.

[0035] In accordance with embodiments of the present invention, which can be combined with preceding embodiments, there is provided an access node of a wireless communication network, the access node comprising a wireless communication interface, a network interface, a processor (e.g. microprocessor) and a memory. The access node is configured to: receive,
15 from a user equipment (UE) via the wireless communication interface, an uplink protocol data unit (PDU) packet at an access network node over a radio channel; encapsulate the PDU packet according to a node-level tunnel format; and forward the encapsulated PDU packet to a user plane function (UPF) via a pre-configured uplink tunnel.

[0036] In accordance with embodiments of the present invention, which can be combined
20 with preceding embodiments, there is provided an apparatus implementing a user plane function (UPF) in a wireless communication network, the apparatus comprising a network interface, a microprocessor, and a memory. The apparatus is configured to: receive, via the network interface, a downlink protocol data unit (PDU) packet; process, the downlink PDU packet according to a stored user plane user equipment (UE) context; encapsulate the
25 downlink PDU packet by the user plane function (UPF); and forward, via the network interface, the encapsulated downlink PDU packet to an access network node via a pre-configured node-level tunnel according to the UE context.

[0037] Aspects of the present invention, which can be combined with preceding embodiments, provide systems and methods for customized service processing of packets
30 based on virtual network tunneling. In accordance with an aspect of the present invention, there is provided a system, apparatus and method for facilitating data packet traffic

forwarding by encapsulating packets according to a service and transmitting the packets through virtual network tunnels. Different types of tunnels can be used to support different types of data flows (e.g. video flows, voice flows) or services (e.g. Amazon cloud service), or UE groups (e.g. Internet of Thing (IoT) electricity devices), or user groups (e.g. users who
5 have the same service level agreement). Encapsulation headers can be customized to identify the type of tunnel. Some embodiments can be used with the GTP-U protocol to identify tunnel types. Other embodiments can be used with other (or possibly) new protocols.

BRIEF DESCRIPTION OF THE FIGURES

[0038] Further features and advantages of the present invention will become apparent from
10 the following detailed description, taken in combination with the appended drawings, in which:

[0039] FIG. 1 illustrates a packet structure in accordance with the prior art.

[0040] FIG. 2 illustrates a portion of a wireless communication network in which fixed UEs and mobile UEs connect to the network via access network (AN) nodes, in accordance
15 with the prior art.

[0041] FIG. 3 illustrates a network architecture in accordance with an embodiment of the present invention.

[0042] FIG. 4 illustrates a general UE attach and session establishment procedure, for attaching a UE to the network by an AN node-level tunnel, in accordance with an
20 embodiment of the present invention.

[0043] FIG. 5 illustrates a general UE attach and session establishment procedure, for attaching a UE to the network by an AN node-level tunnel, in accordance with another embodiment of the present invention.

[0044] FIG. 6 illustrates a procedure for handling mobile-originated (MO) traffic, in
25 accordance with an embodiment of the present invention.

[0045] FIG. 7 illustrates a procedure for handling mobile-terminated (MT) traffic, in accordance with an embodiment of the present invention.

- [0046] FIG. 8 illustrates a method for connecting (attaching) a UE to a network, according to an embodiment of the present invention.
- [0047] FIG. 9 illustrates operations for processing a packet received via a communication network, according to an embodiment of the present invention.
- 5 [0048] FIG. 10 illustrates operations for transmitting a packet received via a communication network, according to an embodiment of the present invention.
- [0049] FIG. 11 illustrates an example LTE Data (or User) Plane Protocol.
- [0050] FIG. 12 illustrates an example of the GTP-U packet.
- [0051] FIG. 13 is a table of the information carried in the GTP-U L4 tunnel Encapsulation
10 Header.
- [0052] FIG. 14 illustrates an example of a tunnel packet format, according to an embodiment of the present invention.
- [0053] FIGs. 15 and 16 illustrate two different formats for the compact encapsulation headers, according to embodiments of the present invention.
- 15 [0054] FIG. 17 illustrates an example network, according to an embodiment of the present invention.
- [0055] FIGs. 18A and 18B illustrate network nodes provided in accordance with embodiments of the present invention.
- [0056] FIG. 19 illustrates an example processing system, according to an embodiment of
20 the present invention.
- [0057] FIG. 20 illustrates a method for processing a packet according to an embodiment of the present invention.
- [0058] FIG. 21 illustrates a method for providing a node-level tunnel in a communication network, according to an embodiment of the present invention.
- 25 [0059] FIG. 22 illustrates an apparatus for providing a node-level tunnel in a communication network, according to an embodiment of the present invention.

[0060] FIG. 23 illustrates a method for providing a node-level tunnel in a communication network, according to another embodiment of the present invention.

[0061] FIG. 24 illustrates an apparatus for providing a node-level tunnel in a communication network, according to another embodiment of the present invention.

5 [0062] It will be noted that throughout the appended drawings, like features are identified by like reference numerals.

DETAILED DESCRIPTION

[0063] As used herein, the term “User Equipment” (UE) is used for purposes of clarity. However, the UE may refer to one of a variety of devices, generally referred to herein by the
10 term “mobile devices” and including mobile stations, terminals or nodes, fixed or stationary devices, stations, terminals, or nodes, human-type communication devices, machine-type communication (MTC) devices, Internet of Things (IoT) devices, or other wireless end nodes, which communicate with a radio access node via wireless communication. One skilled in the art will appreciate that a mobile device is a device designed to connect to a mobile network.
15 This connection typically makes use of a wireless connection to an access node. Although the mobile network is designed to support mobility, it is not necessary that the mobile device itself be mobile. Some mobile devices, such as metering devices (e.g. smart meters) may not be capable of mobility, but still make use of the mobile network.

[0064] Referring to a communication network, the physical network configuration is
20 described by physical nodes, and physical links connecting physical nodes. According to various embodiments, each physical node has a number of input ports and output ports. Physical links connect output ports of physical nodes to input ports of other physical nodes. The physical nodes have at least the following parameters: a number of flows which can be simultaneously supported, the number of input and output ports, the total average bit rate per
25 unit time and the total average packet rate per unit time that can be transferred through physical node, and a geographical location. Each port has at least the following parameters: a bit rate per unit time and a packet rate per unit time, and a buffer size. The physical links have at least the following parameters: a medium type (such as optical cable, or microwave), a bit rate per unit time, a packet rate per unit time, and a transmission cost per data unit. Each
30 physical node has an identifier number (ID), which may be for example an IP address. Each

port also has a port ID. A logical link can have a single-valued ID, or the logical link can be identified by a tuple, for example having the form: <source ID, source port ID, destination ID, destination port ID>.

[0065] Still referring to the communication network, the logical network configuration provides an abstraction of a physical network. The logical network is described by a logical node and logical links connecting logical nodes. A logical node can reside in a physical network node, or in a data centre, which includes multiple physical network nodes. A logical node can have a number of ports to connect to other logical nodes. A logical link connects a port of a logical node to another port of another logical node. A logical link can consist of multiple physical links that provide connections between two physical network nodes hosting logical nodes. Each logical node has at least the following parameters: an average bitrate per unit time, an average packet rate per unit time, a number of flows which can be simultaneously supported, a number of input and output ports, and a geographic location. Each port has at least the following parameter: a bit rate per unit time, a packet rate per unit time, and a buffer size. The logical links have at least the following parameters: an average bitrate per unit time, an average packet rate per unit time, a number of flows which can be simultaneously supported, and a transmission cost per data unit. Each logical node has an identifier number (ID), which may be for example an IP address. Each port also has an ID. A logical link can have a single-valued ID, or the logical link can be identified by a tuple, for example having the form: <source ID, source port ID, destination ID, destination port ID>.

[0066] The logical node can host certain network functions, such as control functions in the control plane (CP), packet processing functions for the user plane (UP) in the core network (CN), or radio node functions.

[0067] For example, a logical network of a mobile network can comprise UP functions in a core network portion of the network and access network (AN) node functions portion of the network, such as a radio access network (RAN). The logical links can be set up for UP functions and AN nodes. The UPF may be connected to a limited number of AN nodes. For example, a service area of the UPF may be defined as the collection of AN nodes that are logically connected to the UPF in the logical network configuration. The SMF may receive an indication of the service area of the UPF via configuration from Network Management.

[0068] A physical network can be divided into multiple network slices. Each network slice can be described by one or both of: a logical network configuration; and a physical network configuration.

5 [0069] The node-level tunnel model is described in TR 23.799. In this tunnel model there is a common tunnel for all traffic between at least some pairs of network functions (NFs). For example, common tunnels may be established between a radio access (RA) node and a user plane (UP) function in the core network (CN) or between two UP functions in the CN. Further constraints on the common tunnel can be applied by a policy function. For example, the common tunnel can be used for a specific network slice, or a group of users, or a
10 particular traffic types, or specific services. According to embodiments of the present invention, traffic to or from multiple UEs can traverse a shared node-level tunnel. Once a shared node-level tunnel is configured, UEs newly operating in a geographic region serviced by the tunnel (e.g. due to mobility or new operation) can begin using the pre-configured tunnel. This can be performed in response to an attach request.

15 [0070] In the existing node-level tunnel solution, there is no identification of the protocol data unit (PDU) session within the outer IP header or the encapsulation header of the packet as conveyed via the tunnel. Instead, the endpoint uses information in the end-user PDU to identify the session. Such information may be, for example, the UE IP address in case of PDU type IP. Furthermore, in case one access network (AN) node connects with one UP
20 accessing multiple data networks (DNs), there may be per-node-per-DN tunnels between the AN and the UP function. Furthermore, for PDU type IP, the PDU session traffic is identified based on UE IP address. This requires UE IP addresses to be unique in one DN to allow unambiguous traffic identification. Furthermore, the encapsulation header may or may not be required, for example to carry an identifier for Quality of Service (QoS) purposes.
25 Furthermore, in case a network node or network function (e.g. UP function) supports multiple IP addresses there may be a need to signal the tunnel endpoint addresses in order to direct the traffic to the right IP address of the node or function. For example, such signaling may be used to support load balancing. Furthermore, the end-user payload layer may be decoupled from the transport layer, allowing different technologies in the transport layer.

30 [0071] Further with respect to the existing node-level tunnel solution, for one AN node, there may be multiple tunnels connecting to different user plane gateways (GWs). The node-level tunnel may be applied to UEs that are stationary and hence do not move. Therefore, the

operator can ensure, via configuration, the assignment of non-overlapping IP addresses within one DN to the UEs belonging to (e.g. served via) the same node-level tunnel.

[0072] FIG. 1 illustrates the structure of a packet **100** as described in Section 6.4.11 of TR 23.799. The structure is illustrative of the use of the one tunnel per destination configuration.

5 The packet **100** includes transport layer headers including an L1/L2 header **105** and an outer IP header **110**, and an encapsulation header **115**. The outer IP header **110** may be selected based on the peer destination or node. The encapsulation header **115** may not be required for PDU session identification, but may be required to carry QoS marking. The packet **100** includes user data, including a PDU header **120** and a PDU payload **125**. In some
10 embodiments the encapsulation header **115** may be added by the (e.g. 3GPP) network functions, and read by various nodes of the network, such as UP functions, AN nodes, etc. Further headers, such as the L1/L2 header and outer IP header **110** may also be added or modified by the network functions.

[0073] According to embodiments of the present invention, the one tunnel per destination
15 configuration of FIG. 1 can be replaced with a one tunnel per destination per group of users or one tunnel per destination per group of services configuration. The same general packet structure can be utilized. As such, multiple tunnels can be associated with the same destination node, each tunnel carrying traffic corresponding to a different group of users, service, or group of services.

20 [0074] FIG. 2 illustrates a portion of a wireless communication network as described in Section 6.4.11 of TR 23.799 in which fixed UEs **205** and mobile UEs **207** connect to the network via AN nodes **215-1** **215-2**. The mobile UEs are shown in an initial first location **210a** and in a subsequent a second location **210b**. The AN nodes connect to UP functions **220** via a transport network **225**. The AN nodes **215-1** **215-2** and the UP-Functions **220** are
25 controlled by corresponding control plane (CP) functions **225**. When the mobile UE **207** moves from the first location **210a** to the second location **210b**, the CP functions **225** are operative to re-direct the UP-functions **220** from the first Node **215-1** to the second AN Node **215-2**. It is noted that multiple UP functions **220** can be provided and communicatively coupled, for example via an N9 interface. UP functions **220** may perform operations such as,
30 but not limited to, packet gateway or serving gateway operations.

[0075] For example, a UE may be mounted in a vehicle and configured to report its location or other information to an application server for fleet management. An aggregate node-level tunnel between the currently connected access node and the appropriate UP function may be used to support this communication.

- 5 [0076] Embodiments of the present invention provide a method and system for supporting customer service delivery over a network. Embodiments of the present invention provide a method and apparatus for implementing, in a 5G wireless communication network, data transmission procedures for use with node-level tunnel protocols. This method and system employs network slices to provide UEs connecting to the network with access to the customer
- 10 services. The network slice concept has been accepted in wireless telecommunication industry. As used herein, a “slice” is a set of network resources (cloud resources, physical connection resources, wireless spectrum resources, telecommunication equipment resources (access cells)), which has been allocated to a service or a set of services. The created slice can also be referred to as a virtual network (VN), and the terms are used interchangeably herein.
- 15 As used herein, the term “service” is used to refer to an entity that is providing a centralized point to receive or transmit data traffic to connected UEs. By way of example, a business customer may offer delivery of data traffic (such as on-demand video or audio) to subscribing UE. In operation a plurality of UE will seek to connect to the business customer’s server(s) to download the data traffic.
- 20 [0077] Embodiments of the present invention facilitate slice-aware service traffic delivery, or “Hop-On” traffic delivery. The “Hop-On” traffic delivery system and method can be compared to a traveller that hops-on a tourist bus having a pre-defined sightseeing route. The traveller can choose to join or leave the tourist bus without any additional set-up or coordination after the initial access to the bus. In various embodiments of the present
- 25 invention involving VN traffic delivery, access to a service does not require per-UE per-session establishment, and does not require end-to-end connection setup between the UE and the service provider. Various embodiments avoid on-demand session setup as the session is effectively “pre-existing” as a VN slice established on the network. The VN slice is supported by a pre-defined VN topology configured on the network. The UE only needs to
- 30 negotiate its entry or exit from the slice which may occur at a localized level. The connection between the slice access point and the service provider is established and maintained by the control functions managing the slice.

[0078] Such a Hop-On scheme facilitates management of service delivery on a per-service basis over a VN tunnel. In some embodiments, all physical network nodes treat all traffic of one service the same and there is no requirement to differentiate between UEs, except in the access link. All per-UE/per-session setup related overhead (remote configuration) and
5 latency is removed and there is no per UE “session connection context” required in the network.

[0079] In some embodiments, after a UE registers to the network and UP slice(s), the only required UE-specific context required is the UE’s location (i.e., a current anchor point of this UE – at a VN node), activity status and registered UP slice(s) which allow Hop-On and
10 access to customer services as and when required.

[0080] Embodiments of the present invention provide for relatively simple and efficient signaling procedures for supporting one or a combination of: different types of UEs; and different types of services. In particular, simplified signaling procedures for attaching a UE to a network, performing session establishment, and transmitting one or both of: uplink data
15 and; downlink data are provided.

[0081] According to embodiments of the present invention, node-level tunnels may be used to carry at least two levels of traffic. For example, requests may be carried in the same tunnel as the service. More particularly, requests for data and transfers of data made in response to such requests may both be transmitted via the same tunnel. The tunnel may be pre-configured
20 so that UE requests are carried over the pre-configured tunnel.

[0082] In various embodiments, different types of traffic, such as traffic carrying video or voice data, are treated differently in each tunnel.

[0083] Embodiments of the present invention provide a method and apparatus which establishes a common tunnel for some types of traffic (instead of using a common tunnel for
25 all traffic) between a pair of network nodes or network functions (NFs). In some embodiments, a common tunnel for some types of traffic may be established between each pair of network nodes or network functions. In addition, the policy function can apply constraints on the common node-level tunnel. For example, the node-level tunnel can be used for a specific slice, or a group of users, or a particular traffic types, or specific services.

[0084] As described in TR 23.799, when a UE attaches to the network or sets up a PDU session to one DN, the control plane (CP) authorization function (CP-AU) authorizes the UE type (e.g., a type of fixed wireless UE) and identifies whether AN node level tunnel applies. If so, the CP determines the corresponding tunnel for the PDU session based on information
5 such as DN name, the tunnel end point information (e.g., UP IP addresses) or the AN node ID provided by the AN.

[0085] Now, according to embodiments of the present invention, the provided UE context is stored in memory (i.e. storage) at the AN, or stored in a remote memory location accessible to the AN. When the UE initiates a subsequent uplink transmission, the AN is configured to
10 verify the UE context and forward the UE data to the pre-configured node-level tunnel. When the context is stored in a remote memory location accessible to the AN, the remote memory may be part of a distributed AN, or a dedicated data storage device, such as a device in a datacenter, which is consistently associated with and communicatively coupled to the AN.

[0086] FIG. 3 illustrates a network architecture provided in accordance with an
15 embodiment of the present invention. Communication interfaces between entities are provided by next-generation interfaces which are labeled NG x , with x being a variable label value as shown in the figure. Communication interfaces between the policy function and other entities are provided by next-generation interfaces which are labeled NP x , with x also being a variable label value as shown in the figure. A particular notable aspect of the
20 architecture is the presence of an interface NP5 between the policy function **340** and the network management function **350**. This configuration allows for network management interfacing through policy functions. The policy function **340** can thereby be used to configure the node-level tunnel.

[0087] For completeness of description, FIG. 3 further illustrates the following. A UE **305**
25 is coupled to an access network (AN) **310** via an interface NG1-U and to a control plane (CP) **315** via an interface NG1. The CP **315** includes a mobility management function (MM) **317**, an authorization function (AU) **318**, and a session management function (SM) **319**. The AN **310** is coupled to the CP via an interface NG2. A user plane (UP) function (UPF) **320** (such as a gateway) is coupled to the AN **310** via an interface NG3 and to the CP **315** via an
30 interface NG4. A packet data network **325** is coupled to the UP function **320** via an interface NG6. The policy function **340** is coupled to the CP **315** via an interface NP2, to an

application server (AS) **330** via an interface NP3, and to a user database **335** via an interface NP1. The AS **330** is coupled to the CP **315** via an interface NG5.

5 **[0088]** In some embodiments, the CP function **315** (including the CP-MM **316**, CP-AU **317** and CP-SM **318**) can be communicatively coupled with other functions or resources in the control plane, such as the User Database **335**. A service-based interface, for example as described in the 3GPP document TS 23.501 “System Architecture for 5G System”, version 1.2.0, July 26, 2017, or 3GPP TS 23.502 “Procedures for the 5G system”, version 0.6.0, August 17, 2017, may be used to facilitate this communication.

10 **[0089]** In some embodiments, when creating a node-level tunnel, the CP-SM **318** may obtain UE information from the user database **335**. The UE information may include pre-configured network slice information, for example. The information may be used in establishing a UE context at the AN **310**. Based on the network slice information sent from the UE **305** (e.g. in an attach or registration request), the AN **310** can assign the UE **305** to a particular node-level tunnel.

15 **[0090]** Embodiments of the present invention provide for three levels of traffic management for node-level tunnels. Notably, the below-described node-level management routine is provided according to embodiments of the present invention to allow for per-node level tunnel policy control.

20 **[0091]** At a first level, network slice level management is provided. Network slice level management may be provided by a network management (NM) function. The NM function provides initial network resources to network slices. The NM function also monitors the resources usage of network slices and adjusts the network resource assignment to network slices on a long-term basis (for example on the time scale of weeks or months). The NM function may provide an indication of network resource assignments to a policy function.

25 **[0092]** At the second level, the node-level tunnel is managed by a policy function. For given network resources assigned by the NM function, the policy function is configured to provide policy decision data directed toward dynamically distributing traffic flows to node-level tunnels and to different radio access technologies (RATs) (and optionally different radio access networks) for different times, such as different times of the day. This second level is
30 not described in the current version of TR 23.799 and allows for a policy function to manage traffic on a per node-level tunnel basis.

[0093] At the third level, PDU-level and UE-level management is performed by a control plane session management (CP-SM) function. The CP-SM assigns some or all of individual flows; sessions; and UEs to node-level tunnels according to the policy set by the policy function. The CP-SM can establish node-level tunnels based on a policy obtained from the Policy Function before any new session requests from UEs arrive.

[0094] Embodiments of the present invention therefore provide for a session management function, residing in the control plane, which receives policy information from a policy function and establishes and configures node-level tunnels based on the received policy information, prior to the reception (at the session management function) of requests from UEs, such as new session requests or other requests that are accommodated using node-level tunnels. The session management function may configure the node-level tunnels based on a variety of information from other nodes, such as logical network configuration information received from the network management function. This is explained in more detail below.

[0095] Referring again to FIG. 3, the policy function 340 receives information from various network functions (via various next-generation interfaces), and uses the received information to make policy decisions for node-level tunnels. Policy decisions can be computationally generated according to a predetermined set of rules provided to the policy function. Examples of received information from various nodes or functions are described as follows.

[0096] The policy function may receive some or all of the following information from AN nodes via a path which includes the NG2 interface and the NP2 interface: real-time traffic load reports; and optionally congestion levels of certain traffic flows which requires special treatment, for example to support high peak rate, or high average rate, or very short packet delay requirements. The traffic load reports can be indicative of total traffic load of all flows, or traffic load due to certain services, such as video streaming flows from a content provider.

[0097] The policy function may receive the following information from UP functions via a path which includes the NG4 interface and the NP2 interface (where NPx interfaces are as illustrated in FIG. 3): real-time traffic load reports; congestion level of certain traffic flows which requires special treatment, for example to support high peak rate, or high average rate, or very short packet delay requirements; and processing load of UP functions (such as computing and storage resource usages). The traffic load reports can be indicative of total

traffic load of all flows, or traffic load due to flows of certain services, such as video streaming flows from a content provider.

5 [0098] The policy function may receive the following information from the network management function over the NP5 interface: logical network configuration, including details of capacity of logical links between network functions (AN nodes and UP nodes); mutual dependency of logical link capacity; processing capacity of network functions; and transmission cost over logical links and network nodes. The policy function may also receive, from the network management function (over the NP5 interface), information regarding one or both of: the logical network topology; and the physical network topology. The policy function may be configured to optimize policies for traffic steering between a UP function and different AN nodes of different RATs (e.g. from the UP function to the AN nodes), QoS setting for data flows, and congestion management for flows and network nodes in the network based on this information.

15 [0099] The User Database and CP-SM can also have indications of one or both of: a logical network configuration; and a physical network configuration, which is sent from the Network Management function and received by the User Database, the CP-SM, or both. In this case, the Policy function can retrieve the logical network configuration from User Database or CP-SM function via NP1 or NP2, respectively. The policy function may receive the following information from the AS via the NP3 interface: device types; geographical distribution of devices; traffic characteristics (for example data rate and distribution of session arrival time); and QoS requirements of traffic (for example average bit rate, maximum bit rate, packet delay requirements).

25 [00100] In some embodiments, network data may be stored in the network and provided to one or more of: the Policy function, the AN node, and the CP-SM. The network data can be stored in the User Database. The network data can be stored in a Unique Data Management (UDM) function, which stores some or all of: user subscription data, policy data (e.g. indicative of QoS policies and charging policies), the network data and session related information (e.g. the mapping between IMSI and IP address of the UE). The UDM function can be part of the User Database.

30 [00101] The policy function may receive the following information from the User Database via the NP1 interface: the actual number of attached UE to an AN node. This information

may be different from the data provided by the AS function, which is initially provided based on an estimate.

5 [00102] According to embodiments of the present invention, the policy function is configured to perform policy optimization for traffic routing between AN nodes and UP functions for load balancing among UP function, traffic steering among radio access networks, and QoS setting (for example rate limit of each node-level tunnel) – i.e. policy updates. In addition, the policy function is configured to inform the CP-SM function about the policy decisions made. Four examples of such policy decisions are given below.

10 [00103] A first example policy decision is the maximum bit rate of node-level tunnels. Depending on the fair resource usage policy, the maximum bit rate of node-level tunnels can be set. If the maximum bit rate has been reached, some packets of certain flows can be dropped.

15 [00104] A second example policy decision is a designation between the types of devices which are to be served and the node-level tunnels used to serve the types of devices. For example, a group of electricity-metering IoT devices served by a specific AN node may be served by a specific node-level tunnel. Another example is designating smart phones to be served by another specific node-level tunnel.

20 [00105] A third example policy decision is an indication of types of services to be served by particular node-level tunnels. For example, all traffic of sessions connected to YouTube servers, or other servers offering a particular service or type of service, may be carried by a designated node-level tunnel. As another example, all data sessions sponsored by a third party may be carried over another designated node-level tunnel.

25 [00106] A fourth example policy decision is an indication of the maximum number of UEs having traffic carried by a node-level tunnel. For example, depending on the processing capability of network functions, the number of sessions or the number of UEs, can be set to a limit. In a further example, depending on the processing capability of network functions, the maximum number of sessions or the maximum number of UEs, can be set to a predetermined limit.

30 [00107] Embodiments of the present invention are configured to perform congestion handling by a mechanism in which packets of some sessions are randomly or selectively

dropped. For random packet dropping, packets may be dropped based on the QoS information in their encapsulation header. For selective packet dropping, packets may be dropped based on the QoS information in the encapsulation header and optionally the QoS for the UE session corresponding to that PDU session. In some aspects, per-UE packet dropping
5 may be selectively applied by identifying the UE session from an identity of the PDU session. For example, the PDU session of an IP connection may be identified by an IP header in the PDU header information, such as IP addresses of source and destination, port numbers of source and destination, and traffic type.

[00108] Furthermore, in some embodiments, the random or selective packet drop can be applied in particular at the entry of the node-level tunnel. This may assist in preventing congestion at either the source or the destination tunnel end point. In this case an identification of packet-to-user correspondence may be made at the tunnel entry. This is in contrast to dropping the packets at the congestion bottleneck. When a packet is to be dropped, dropping it as early as possible can mitigate network congestion. In some embodiments,
10 congestion handling operations such as packet dropping decisions can be performed at the tunnel destination (e.g. access node in the case of a downlink tunnel) but the packet may be dropped at the tunnel entrance (e.g. UPF).

[00109] Furthermore, in some embodiments, the network nodes handling congestion control or experiencing or enforcing a maximum bit rate are configured to forward incoming packets
20 to another node-level tunnel. The other node-level tunnel can be selected as one that is carrying less traffic, or one for which the destination node is not congested or less congested.

[00110] Embodiments of the present invention provide a UE attachment and session establishment method and apparatus. The method is described in detail below, while the apparatus comprises one or more network nodes or functions configured in a particular
25 manner to perform the described method operations. In some embodiments, UE attachment and session establishment can both be performed in a combined procedure, to limit signaling overhead.

[00111] When a UE is to connect to the network, the UE initiates a network attach procedure. After the attachment procedure, the UE may transmit a new session request. Embodiments of
30 the present invention provide for a combined network attach procedure and session

establishment procedure, in which the two procedures are combined together. This simplifies the signaling requirements for certain types of UEs and certain types of services.

[00112] FIG. 4 illustrates a general UE network attachment and session establishment procedure, for attaching a UE to the network by an AN node-level tunnel, according to 5 embodiments of the present invention. In an alternative embodiment, the procedure can be described as processing of a UE request to send UL data or receive DL data. This UE request may combine Attach and Session Establishment procedures. The procedure is described as follows.

[00113] The UE 305 transmits an attach request message 355 to the AN node. The UE type 10 is indicated in the signalling associated with the attach request. In this respect, the signalling is comparable to a radio resource control (RRC) message.

[00114] The AN node 310 may recognize the UE type and incorporate node-level tunnel selection assistance information into the attach request message. Such assistance information may include the tunnel end point IP addresses or AN node ID, for example. The AN node 15 310 then transmits the (possibly modified) attach request message 360 to the CP- MM function 316. The CP-MM 316 communicates with the CP-AU function 317 to handle authentication operations related to the UE attachment request.

[00115] Next, an authentication operation 365 is performed. As part of the authentication operation 365, the CP-AU 317 verifies the UE and user subscription data in the user database, 20 such as the UE type, in order to authenticate the UE 305. The CP-AU function 317 and UE may perform a mutual authentication operation. If the mutual authentication is successful, the CP-AU 317 can assign a globally unique temporary identifier (GUTI) to the UE 305. After that, CP-AU 317 verifies the session request based on user subscription data. For example, in the case of smart phone devices, the session request can be a request for broadband data 25 transmission. If the user subscription includes the broadband data transmission service, the UE 305 will be authorized to use this service.

[00116] Next, following successful authentication and authorization, the CP-AU 317 transmits a create session request message 370 to the CP-SM 318. This step can be omitted if the CP-AU 317 and CP-SM 318 functions are combined into a single function. In another 30 embodiment, instead of the CP-AU 317 sending the Create Session Request message 370, the

CP-MM **316** may send the Create Session Request message (i.e. a message similar to message **370**) to the CP-SM **318**. This may still occur after step **365**.

5 [00117] Next, the CP-SM **318** obtains **375** operator policy information from the CP-policy function **340**. The operator policy information is used for UE session setup, such as quality of service (QoS) and charging policies.

10 [00118] Next, the CP-SM **318** selects the UP function **320** based on available information such as the DN name, tunnel selection assistance information provided by the AN **310**, and operator policy information. The CP-SM **318** assigns a UE session ID (such as an IP address) corresponding to the UP function **320**. The CP-SM **318** then transmits a resource request setup message **380** to the AN **310**, in order to request the AN **310** to setup resources for the session. This message includes uplink and downlink node-level tunnels associated with the UE session ID, which may be an IP address, for example. In a further embodiment this message includes indications of one or both of uplink node-level tunnels and downlink node-level tunnels, the tunnels to be associated with the UE session ID, which may be an IP
15 address, for example.

[00119] Next, the CP-SM function **318** performs a setup/configuration operation **385** in association with the UP function **320** in order to set up the user plane. This may include providing notification of the assigned UE session ID (such as IP address), indicating the tunnel used to the AN **320**, and indicating the corresponding traffic handling policy for this
20 session. If the per node-level tunnel is selected, the CP-SM function **318** may reconfigure the tunnel parameters such as but not necessarily limited to the maximum bit rate.

[00120] In various embodiments, the CP-SM **318** and UP **320** functions store UP UE context information individually. The UP UE context includes a mapping of the UE session ID (e.g. the UE's IP address) and its associated uplink and downlink tunnels, traffic handling policy
25 for uplink and downlink sessions, and charging information.

[00121] It is noted that, in some embodiments, the UP UE context can be removed based on a trigger set by the policy function. For example, after a predetermined time has elapsed in which no uplink or downlink PDUs are received at the UP function, or upon receipt of an explicit message from the CP-SM **318** instructing removal of the UE context, the UP UE
30 context can be removed.

[00122] Next, the CP-SM 318 transmits a create session response message 390 to the CP-MM 316. The message 390 indicates the UE session ID (e.g. IP address). If the per node-level tunnel is selected, the message 390 indicates the assigned node-level tunnel for uplink and downlink (if downlink traffic is required) traffic. The message 390 may also indicate the traffic handling policy. The message 390 may also indicate a particular method to be used for updating the UE context at the AN node 310 (or possibly at the UP function 320), in the case of UE mobility.

[00123] Next, the CP-MM 316 transmits an attach complete message 395 to the AN node. The message 395 indicates the UE session ID (e.g. IP address), and the content of message 390, which assigned node-level tunnels for uplink and downlink (if downlink traffic is required) traffic, and the associated traffic handling policy for uplink and downlink. The message 395 also indicates the method to be used for updating the UE context at the AN node 310 (or possibly at the UP function 320), in the case of UE mobility, i.e. when the UE is mobile and has possibly moved to a different location served by another AN.

[00124] Next, the AN node 310 transmits an attach complete message 397 to the UE 305. The attach complete message 397 indicates the radio resource configuration for use by UE 305 for transmitting data in the uplink and for receiving data in the downlink, if downlink transmission is required.

[00125] The AN node 310 is configured to store AN UE context data based on information carried in the received CP-MM attach complete message 395. The AN UE context may include the UE ID, indications of pre-configured tunnels to be used for uplink and downlink traffic (if downlink traffic is required), and an indication of a traffic handling policy, such as QoS and charging, to be used.

[00126] It is noted that, in some embodiments, the AN node 310 can remove the stored AN UE context based on a trigger set by the policy function. The trigger may be a timeout trigger, which initiates context removal after a predetermined time has elapsed in which no packets are transmitted from or to the UE. The trigger may be a UE mobility event indicative that the UE 305 is no longer being served by the AN node 310. The trigger may be a CP-SM 318 function instruction to remove the UE context.

[00127] In view of the above, it is noted that certain embodiments comprise generating selection assistance information by an access node, based at least partially on content of an

attach request. A UE context request message can include the selection information. Furthermore, a pre-configured node-level tunnel for use by the UE can be selected based at least partially on the selection assistance information.

5 [00128] FIG. 5 illustrates a UE attachment and session establishment procedure for attaching a UE **305** to the network by an AN node-level tunnel supporting connection-less transmission, according to embodiments of the present invention. Alternatively, the procedure can be described as processing of a UE request to send UL data or receive DL data. This UE request may combine Attach and Session Establishment procedures. The procedure of FIG. 4 can be used to support a new session request. For infrequent data transmission such as traffic of
10 Internet of Things (IoT) devices, the procedure of FIG. 4 can be modified to reduce signalling requirements. The AN node and UP function can store UE context after the UE **305** initiates the first attach request. When the UE **305** initiates subsequent infrequent data transmission requests, the AN **310** will verify the UE context and forward the UE data to the pre-configured node-level tunnel.

15 [00129] Referring to FIG. 5, the UE **305** transmits an attach request **405** to the AN node **310**. The attach request **405** includes destination PDN (packet data network) information identifying the destination PDN for the packets to be sent by that UE. The AN node **310** further utilises UE type information, which may either be included in the attach request **405**, or may be available to the AN node **310** based upon a UE identifier associated with the attach
20 request **405**.

[00130] Next, the AN node **310** verifies **410** whether UE context corresponding to that UE/UE type and destination service (i.e. destination PDN) identified in the attach request **405** is available. The UE context may be verified, for instance, by matching the destination PDN information and UE identifier/UE type to UE context information maintained in a data store
25 accessible to the AN node **310**. If the UE context exists, then the VN or session has already been established for that UE/UE type and destination service. Accordingly, operations **415** to **445** may be skipped, and the AN node **310** can transmit an attach complete message **450** to the UE **305** because it has the necessary information to handle traffic corresponding to that attach request **405**. The UE context may include, for instance, the UE session ID/UE type,
30 indications of pre-configured tunnels for uplink and downlink traffic (if downlink traffic is required), and a traffic handling policy. The AN node **310** may then handle all received traffic between the UE **305** and the PDN **325** based upon the UE context.

[00131] Verifying **410** the UE context information may comprise obtaining the UE context information based on content of the attach request. The UE context information may be obtained from a storage available to the access node, provided that the UE context information is available from the storage (due to previous storage therein). The storage may
5 be a memory device, such as an electronic or volatile or non-volatile memory or mass storage device. In some embodiments, the storage (e.g. memory) is integrated into the access node.

[00132] In some embodiments, the UE context in the AN **310** comprises at least the following information: one or both of UE ID (IMSI (International Mobile Subscriber Identity) and GUTI (Globally Unique Temporary ID)), UE session ID (e.g. one or both of an IP
10 address and a MAC address of the UE), UE device type, list of destination PDN, and a list of uplink and downlink node-level tunnel pairs associated with PDNs. The UE context may further include, for instance, QoS information (such as packet delay constraint and data rate) specific to that UE or attachment request, charging information, and security information (such as encryption keys for air-interface packet encryption in uplink and downlink).

[00133] Next, and when operations **415** to **445** are not skipped, an attach request message **415** is transmitted by the AN node **310** to the CP (e.g. to the CP-AU **317**) for at least one of authentication and resource setup. In some aspects authentication may not be required either based on UE context, or the service to which the attach request relates. In the aspects, either the AN node **310** or the CP (e.g. CP-AU **317**) may be operative to determine whether the
15 attach request requires authentication.
20

[00134] The AN node **310** may recognize the UE type and incorporate the node-level tunnel selection assistance information (i.e., tunnel end point IP addresses, AN node ID, current traffic load over these tunnels) together with the attach request message **415** transmitted to the CP-MM function **316**. The CP-MM **316** communicates with the CP-AU function **317** to
25 handle the UE attachment authentication if relevant to the attachment request.

[00135] Next, if required, an authentication operation **420** is performed in which the CP-AU **317** verifies with the user database information such as UE type and allowed PDN connections, in order to authenticate the UE **305**. The CP-AU function **317** and UE **305** perform a mutual authentication operation. If the mutual authentication is successful, the CP-AU **317** or CP-MM can assign a GUTI to the UE **305**. After that, the CP-AU **317** verifies the session request based on user subscription data. For example, in the case of IoT devices, the
30

session request can be a request for infrequent data transmission. If the user subscription includes an appropriate service supporting infrequent data transmission, the UE **305** will be authorized to use this service.

5 **[00136]** Next, if the UE **305** is allowed to send data, the CP-AU function **317** transmits a Create Session Request message **425** to the CP-SM function **318**. If the CP-AU and CP-SM functions **317**, **318** are integrated in a single unit, for example in a single network function implemented by software, message **425** can be omitted. The CP-SM function **318** may create a session in response to the message **425**.

10 **[00137]** In another embodiment, instead of the CP-AU **317** sending the Create Session Request message **425**, the CP-MM **316** may send the Create Session Request message (i.e. a message similar to message **425**) to the CP-SM **318** after step **420**.

[00138] Next, the CP-SM function **318** obtains operator policy information **427** via interaction with the CP policy function **340**. The operator policy information obtained from the CP policy function **340** is used for UE session setup.

15 **[00139]** Next, the CP-SM function **318** selects the UP function **320** (from among a plurality of potential UP functions) based on the information such as the PDN Name, tunnel selection assistance information provided by AN, and operator policy. The CP-SM function **318** assigns the UE **305** one or multiple IP addresses or one or multiple IP prefixes corresponding to the UP function **210**. The CP-SM function **318** then requests the AN **310** to set up
20 resources for the session via an AN resource setup request message **430**. This message also includes uplink and downlink node-level tunnels associated with the UE ID (e.g. IP address or other UE identifier such as GUTI).

[00140] Next, the CP-SM function **318** sets up **435** the user plane (e.g. the user plane interface) with the UP function **320**. This may include notifying the UP function **320** of the
25 assigned UE session ID (such as an assigned IP address), indicating the tunnels connected to the AN **310** in both uplink and downlink directions, and indicating the corresponding traffic handling policy for the session (such as QoS policy and profile, charging policy).

[00141] A tunnel ID can be assigned in step **435**, corresponding to a tunnel to be used in
30 communication between the UE **305** and the UP function **320**. The tunnel can be a pre-existing, pre-configured shared tunnel used by plural UEs, for example a pre-configured

node-level tunnel. The tunnel may be one of several node-level tunnels having an endpoint at the UP function. The tunnel may be shared by a group of UEs defined by a predetermined characteristic and consisting of less than all UEs. The tunnel may be dedicated for use in providing a particular group of services, consisting of less than all services available. In various embodiments of the present invention, the network can assign a UE to an existing shared tunnel, and provide a shared tunnel ID.

5 [00142] Depending on one or both of the UE type (such as the UE supporting Mobile Initiated Connection only (MICO)) and the traffic type, the downlink channel may not be required. In this case, only the uplink tunnel information is needed to be sent from the CP-SM function 318 to the UP function 320, and received by the UP function 320.

[00143] In various embodiments, the CP-SM and UP functions 318, 320 store relevant UP context information of the UE individually. The UP UE context includes a mapping of UE ID (such as SUPI, GUTI, IP address) and its associated uplink and downlink tunnels, traffic handling policy for uplink and downlink sessions, and charging information.

15 [00144] In some embodiments, the UP UE context can be removed based on a trigger set by the policy function. This may be performed for example after a timeout, when there are no uplink or downlink PDUs received at the UP function, or when receiving a message from the CP-SM 318 to remove UE context.

[00145] After the CP-SM 318 finishes setting the UP path, the CP-SM function 318 sends a Create Session Response message 440 to the CP-MM 316. An Attach Complete message is generated by the CP-MM 316, which contains the UE session ID (e.g. IP address). If step 430 was not performed the CP-SM 318 includes the assigned node-level tunnel for uplink and downlink (if required) traffics, and traffic handling policy in message 440. The Attach Complete message may also indicate a procedure to be used for updating the UE context at the UP function 320, in the case of UE mobility. The CP-MM 316 sends the Attach Complete message 445 to the AN node 310. The message 445 may include the content of message 440.

25 [00146] The AN node 310 then transmits the Attach Complete message 450 to the UE 305. The Attach Complete message 450 contains information on the radio resource configuration for use by the UE 305 in transmitting data in the uplink and in receiving data in the downlink (if the downlink is required).

[00147] If the UE context does not exist, the AN node **310** stores AN UE context based on information received from the CP-MM **316** Attach Complete message. The AN UE context includes the UE ID (IMSI and optionally GUTI), UE session ID (such as IP address), pre-configured tunnels for uplink and downlink traffic (if downlink traffic is required), and a traffic handling policy. In various embodiments, the AN node **310** keeps the AN UE context until the CP-MM **316** or CP-SM **318** sends a message to remove the AN UE context.

[00148] In various embodiments, the AN node **310** can remove AN UE context based on a trigger set by Policy Function and included in message **445**. The trigger may be, for example: a timeout if there is no packet sent from or to the UE **305**; a UE mobility event when (e.g. indicative that) the UE **305** is no longer served by this AN node; or a CP-SM function **318** instruction to remove the UE context.

[00149] FIG. 6 illustrates a procedure for handling mobile-originated (MO) traffic, in accordance with an embodiment of the present invention. The originating UE **305** is not necessarily mobile in the geographic sense. The procedure may be implemented by various network nodes and functions by configuration thereof.

[00150] First, the UE **305** transmits an uplink PDU packet **500** to the AN node **310** over the radio channel, for example as assigned in the attach complete message as described with respect to FIG. 4 (message **397**) or FIG. 5 (message **450**). The radio channel may correspond to the radio resource configuration carried in the attach complete message.

[00151] Next, the AN node **310** receives the uplink PDU packet and performs packet verification according to the stored AN UE context, thereby processing the packet **505**. The AN node **310** may further process the packet to determine an appropriate shared tunnel to use, for example based on UE ID.

[00152] In some embodiments, and depending on one or both of the UE type and the NG1-U communication protocol, the AN node **310** may send a response message in response to receipt of the received PDU packet. If the UE **305** is allowed to transmit PDU packets, the AN node **310** transmits the acknowledgement **510** for the received PDU packet to the UE **305**. Otherwise, an error code is sent to the UE. Furthermore, if the PDU packet cannot be decoded due to transmission error, the error code may be transmitted to trigger the UE to re-send the PDU packet.

[00153] In some embodiments, if the PDU packet is deemed to be valid, the AN node **310** encapsulates the PDU packet according to the node-level tunnel format and forwards **515** the encapsulated PDU packet to the UP function **320** over a pre-configured uplink tunnel. The pre-configured uplink tunnel may correspond to the established UE context, also referred to
5 as UE context information. Encapsulation may be performed as part of packet processing **505**, and may occur before or after acknowledgement **510**.

[00154] Upon reception of PDU packet in the uplink, the UP function **320** processes **520** the packet according to the UP UE context and updates the UP UE context for charging purpose (for example, traffic counting) if the UP UE context is available. If the UP UE context is
10 unavailable, UP function **320** contacts CP-SM function **318** to obtain the UE context. Processing **520** may comprise reading an extension header of the packet to determine UE ID.

[00155] In some cases, and for purposes of illustration, the UP function **320** is a gateway function (UP-GW) such as PDU Session Anchor (PSA) UPF. If, as determined by the policy enforcement function at the UP-GW, the PDU packet is allowed to be sent to PDN **325**, the
15 UP function **320** removes the tunnel encapsulation headers and forwards **525** the PDU packet to the PDN **325**. (Based upon the UP UE context, the UP function **320** determines whether the PDU packet is authorized. If the PDU packet is an authorized PDU packet, the UP function removes the tunnel encapsulation header and forwards **525** the PDU packet to the PDN **325**.)

[00156] In some embodiments, a shared tunnel may exist between the UP function and the PDN. In this case, a new encapsulation header may be attached to the PDU packet prior to forwarding.

[00157] Downlink PDU packets **530** can subsequently be received from the PDN **325**. If the downlink PDU packets **530** (such as an acknowledgment message from the application server)
25 are transmitted from the PDN **325**, the UP function **320** (e.g. UP-GW) reads the UP UE context to determine a downlink tunnel for forwarding data towards the AN node **310** serving the UE and performs traffic handling.

[00158] The UP function **320** then forwards **535** the downlink PDU packet to the determined, pre-configured downlink tunnel.

[00159] Subsequently, the AN node **310** receives the downlink PDU packet via the tunnel, checks the AN UE context, and forwards **540** the PDU packet to the UE **305**.

5 [00160] In various embodiments, the UP UE context can be removed **545** based on a trigger set by the policy function. For example, context can be removed after a timeout, when there are no uplink or downlink PDUs received at the UP function **320**, or when receiving UE context message removal from CP SM **318**.

[00161] It is noted that the UP function **320** may be a general UP processing function such as but not necessarily limited to a UP gateway (UP-GW). The UP gateway may be a serving gateway in the uplink or a packet gateway in the downlink.

10 [00162] FIG. 7 illustrates a procedure for handling mobile-terminated (MT) traffic, in accordance with an embodiment of the present invention. The terminating UE is not necessarily mobile in the geographic sense. The procedure may be implemented by various network nodes and functions by configuration thereof.

15 [00163] Initially, the PDN transmits a downlink packet **600** to the UP function. Next, the UP function processes **605** the received PDU packet according to the stored UP UE context. If the UP UE context is unavailable, the UP function obtains the UE UP context from CP-SM. In some embodiments, the UP function encapsulates the PDU (DL) packet to the format of the downlink tunnel. The encapsulation may be performed as part of the processing **605** of the downlink packet.

20 [00164] Next, the UP function forwards **610** the encapsulated PDU packet to the AN node according to the UE context, which indicates which downlink tunnel towards the AN node serving UE.

25 [00165] The AN node refers to the AN UE context and tunnel header information to process the received PDU packet accordingly. The PDU packet is then forwarded **615** to the UE. The AN node may perform paging procedure to make UE radio receiver ready to receive the forwarded PDU packet.

[00166] If the UE transmits **620** an uplink PDU packet (for example an acknowledgment message in response to the received PDU packet), the AN node receives the uplink PDU packet and processes the PDU packet according to the AN UE context.

[00167] The AN node then encapsulates the PDU packet and forwards **625** the encapsulated PDU packet to the pre-configured node-level tunnel according to the AN UE context.

5 [00168] The UP function receives the uplink packet, and processes the uplink packet according to the stored UP UE context, including QoS policy and charging. If the packet is valid, the UP function removes the tunnel encapsulation header and forwards **630** the PDU packet to the PDN.

10 [00169] The UP UE context can optionally be removed **635** based on a trigger set by the policy function. For example, context can be removed after a timeout, when there are no uplink or downlink PDUs received at the UP function, or when receiving UE context message from CP SM **318**.

[00170] In view of the above, FIG. 8 illustrates a method **800** for connecting a user equipment (UE) to a network. Alternatively, the method can be described as processing a UE request to send UL data. The method may be performed by a wireless access node of the network, such as a gNB. The method includes receiving **810** an attach request from the UE.
15 The attach request may specify at least destination packet data network (PDN) information. The method further includes obtaining **820** UE context information corresponding to the UE. The obtaining operation can be based at least partially on content of the attach request. The method further includes transmitting **830** an attach complete message to the UE. The attach complete message may include radio resource configuration information for use by the UE
20 when transmitting uplink data to the network, receiving downlink data from the network, or both. For example, use of the radio resource configuration (by the UE or wireless access node) may indicate that the uplink data is to be handled according to the UE context information and that the downlink data is for reception by the UE according to the UE context information.

25 [00171] In some embodiments, the method **800** may further comprise handling mobile-originated packet data traffic in a wireless communication network. This may include receiving **840**, from a user equipment (UE), an uplink protocol data unit (PDU) packet at an access network node over a radio channel. This may further include encapsulating **845** the PDU packet according to a node-level tunnel format and forwarding the encapsulated PDU
30 packet to a UPF via a pre-configured uplink tunnel. The packet may be processed, by the UPF, according to a user plane UE context associated with the packet. The UPF may also

receive and forward downlink packets for the UE, including determining, based on the user plane UE context, a pre-configured downlink tunnel to use in forwarding the packet.

[00172] Aspects of the present invention are directed to methods and systems for using different types of tunnels used to carry data between two nodes in the network. Some embodiments indicate the tunnel type in the tunnel encapsulation header. Some embodiments allow for customization of the tunnel encapsulation header. For example, a compact tunnel encapsulation header can be used for some tunnel types, by not including header fields which are not needed for the type of tunnel utilized. Some embodiments can embed routing information in the tunnel encapsulation header.

5 [00173] According to some embodiments of the present invention, there is provided a method of packet transmission that includes identifying a tunnel type, out of a plurality of possible tunnel types, of one or more packets and processing the packets according to the identified tunnel type. The tunnel type may be identified in a tunnel encapsulation header, for example in the message type field thereof. The tunnel type may be identified via control plane signaling. Some tunnel types may indicate presence of a compact header, such as a compact encapsulation header omitting one or more fields present in headers of other tunnel types. Some tunnel types may allow for per-packet QoS handling, for example in the event of congestion. In some embodiments, a UPF performs the above method and further the UPF further receives user data and encapsulates the tunnel type in a tunnel encapsulation header.

10 [00174] According to some embodiments, and with reference to FIG. 9, there is provided a method **900** (and associated apparatus) for processing a packet received via a communication network. Operations of the method and apparatus include identifying **910**, from a plurality of tunnel types, a type of tunnel used for conveying the received packet. The identifying may be based on content of a tunnel encapsulation header of the packet. In some embodiments, the identifying may be performed based on content of a message type field belonging to the tunnel encapsulation header. The identifying may alternatively be based on control plane signaling. The operations further include processing **920** the received packet according to the identified type of tunnel.

15 [00175] According to other embodiments, and with reference to FIG. 10, there is provided a method **1000** (and associated apparatus) for transmitting a packet via a communication network. The method and apparatus can be used in conjunction with the above-described

method and apparatus for receiving packets. Operations of the method and apparatus include selecting **1010**, from a plurality of tunnel types, a type of tunnel to be used for conveying the packet. Operations may further include configuring **1015** a tunnel encapsulation header of the packet to indicate the type of tunnel. For example, a message type field in the header may
5 be configured with a value indicative of the type of tunnel. Alternatively, the selecting may be based on received control plane signaling indicating the type of tunnel to be selected. This control plane signaling may also be sent to devices potentially in receipt of the packet. Alternatively, the operations may include transmitting **1017** control plane signaling indicative of the type of tunnel selected, the control plane signaling directly or indirectly received by
10 devices potentially in receipt of the packet. Operations further include transmitting **1020** the packet.

[00176] As such, a node can select from among different types of tunnels based on current requirements, and indicate which type of tunnel is being used in transmission of a packet. Furthermore, a node in receipt of a tunneled packet can process the packet in different ways
15 depending on the identified packet type. Because different tunnel types are possible, some tunnel types can be defined which omit unnecessary information, such as unnecessary header fields. This allows for a reduction in communication overhead. In a given situation, a tunnel type can therefore be employed which uses substantially only the header fields that are necessary.

[00177] Tunnel types can be pre-defined, and identified using identifiers which are known to receiving devices. Tunnel types can alternatively be described using an identifier which indicates which header fields (e.g. in the encapsulation header) are present and which are absent, and optionally an ordering of the header fields.

[00178] According to some embodiments, there is provided a method and apparatus for
25 supporting packet communication via a tunnel in a communication network. Operations of the method and apparatus include, by a control plane function, selecting a tunnel type from a plurality of potential tunnel types. The tunnel type corresponds to the tunnel via which the packets are communicated. The operations further include transmitting a control plane message to one or more user plane nodes functions, where the control plane message includes
30 an indication of the selected tunnel type. In response, the UPFs are configured to process packets communicated via the tunnel according to the indication of the selected tunnel type. This control plane function operation can be used to transmit control plane messages

indicative of a tunnel type in use. This approach can be used as an alternative to indicating the tunnel type within a tunnel encapsulation header.

5 [00179] According to some embodiments, there is provided a method and apparatus for processing a packet in a communication network. Operations of the method and apparatus include identifying, from a plurality of tunnel types, a type of a tunnel used for conveying the packet. The identifying is based on content of a received control plane message indicative of the type of the tunnel. The operations further include processing the packet according to the identified type of the tunnel.

10 [00180] Embodiments of the present invention which relate to packet communication using a selected one of a plurality of tunnel types can be used in association with embodiments relating to connecting a UE to a network, and for handling mobile-originated or mobile-terminated packets in a network. In particular, when dealing with an encapsulated packet transmitted from or toward an AN node, the packet can be encapsulated using a selected tunnel type. When the present description refers to use of a tunnel, it should be understood
15 that the above-described operations related to use of a particular selected tunnel type can optionally be used in association with use of such a tunnel.

[00181] Embodiments of the present invention can be advantageously adapted to more complex networks which allow for different types of services and devices. For example, some devices, such as machine type communication (MTC) devices may utilize different
20 types of services than smart phones. MTC devices, such as smart meters may transmit relatively small pieces of data. For such services, it is desirable to reduce overhead, as overhead can represent a significant proportion of the transmission, and in some cases, exceed the size of the data to be transmitted. Other types of devices will be able to utilize a variety of different services with different flow types. For example the flows for video
25 streaming services can differ from flows for email. In some cases multiple flows can be allocated to a service, and a user may utilize multiple concurrent services. Accordingly, it is advantageous to utilize different types of tunnels to support different types of flows for different types of services. Embodiments can support the use of different types of tunnels by identifying the tunnel types. In some embodiments, the different tunnel types are identified
30 by a field in the encapsulation header. Other embodiments can identify the different type of tunnels using control plane (CP) signaling. Tunnel types can therefore be selected and used dynamically according to the needs of a given packet or packet flow.

[00182] Before providing further details, an existing LTE Data Plane Protocol will be discussed. FIG. 11 illustrates an example LTE Data Plane Protocol. FIG. 12 illustrates an example of the GTP-U packet. Conventionally, the GTP-U protocol is used to provide support for different QoS classes, with a Message Type indicator identifying the type of GTP-U message, and therefore the type of QoS to be applied.

[00183] In more detail, FIG. 11 illustrates a UE **1105** communicating with a packet data network gateway (PDN GW) **1120** according to an example scenario. An access node (AN) **1110** such as an eNodeB and a UPF **1115** such as a serving gateway **1115** are used to act as intermediaries or relays between the UE **1105** and the PDN GW **1120**. Protocol layers employed at each of the UE **1105**, AN **1110**, UPF **1115**, and PDN GW **1120** are shown. The illustrated protocol stacks would be readily understood by a person skilled in the art and include a physical layer (L1 layer), Media Access Control (MAC) layer or L2 layer, Radio Link Control (RLC) layer or User Datagram Protocol over IP (UDP/IP) layer (i.e. Layer 3; L3), Packet Data Convergence Protocol (PDCP) or GTP-U layer (i.e. Layer 4; L4), and an Internet Protocol (IP) layer. The relaying nodes can perform a translation between protocols at one or more layers, and may also perform tunneling, encapsulation and optionally de-encapsulation operations.

[00184] FIG. 12 illustrates a particular example of a packet structure as illustrated in FIG. 1. In FIG. 12, the outer IP header **110** of FIG. 1 is identified as a L3 or UDP/IP header **1210**, the encapsulation header **115** of FIG. 1 is identified as a L4 tunnel encapsulation header **1215**, which includes a tunnel endpoint identifier (TEID) of an endpoint of the L4 tunnel. The PDU header **120** and PDU payload **125** of FIG. 1 are identified as a payload header (e.g. IP packet header) **1220** and payload (e.g. IP packet payload) **1225**, respectively.

[00185] FIG. 13 is a table of the information carried in the GTP-U L4 tunnel Encapsulation Header **1215**, as set out in GTP-U version 1 specified for example in the 3GPP document “TS 29.281; General Packet Radio Systems (GPRS) Tunneling Protocol User Plane (GTPv1-U), version 13.2.0, June 2016, hereinafter referred to as 3GPP TS 29.281. In the table illustrated in FIG. 13:

PT = Protocol Type;
 E = Extension Header flag;
 S = Sequence Number flag;

PN = N-PDU Number flag;

Message Type: indicates the type of GTP-U message;

Length: indicates the Payload length, including 4 bytes of header after TEID;

Sequence number: optional, set to 0 if no packet ordering is required;

5 N-PDU: used for inter-RAT operation; and

Next Extension Header Type: Used when more information is required

[00186] It is noted that the Tunnel Endpoint Identifier (TEID) takes up 4 octets of the header, while the length and sequence number fields take up 2 octets each.

[00187] However, such a conventional approach (e.g. to tunnelling and encapsulation) has several potential issues. First, tunnels have to be setup for new PDU flows. This can represent significant overhead both in terms of network resources for establishing a flow, and in terms of bandwidth, as such an approach can produce relatively large signaling overhead compared to the amount of data which needs to be transmitted. This is especially relevant for MTC devices, IoT devices, or for short flows which are also often generated by smart phones. Further, current tunnel approaches utilize a QoS Class Identifier (QCI) mechanism for handling congestion of flows but do not facilitate prioritizing differentiation for individual packets in the event of congestion. However, embodiments of the present invention identify tunnel types in the encapsulation header, allowing for a mechanism for dropping lower priority packets in the event of congestion. Accordingly embodiments of the present invention can support per packet QoS. Furthermore, the current tunnel protocol GTP-U does not provide a flexible approach for providing different tunnel types to accommodate different flow types. For example current tunnels specify QoS for a service. However future networks can allow for multiple flows per service, with each flow having a different QoS level. Accordingly, embodiments of the present invention allow for easily identifying different tunnel types, which can be used to provide flexible approaches in handling different flow types.

[00188] In some embodiments, packet handling can include identifying a tunnel type, for example based on content of the encapsulation header, determining packet handling parameters corresponding to the tunnel type, and handling the packet according to the packet handling parameters. The packet handling parameters can include QoS parameters, packet dropping rules such as prioritization, etc. The packet handling parameters can further include

information such as the makeup and structure of the header fields, pointers to relevant information in the packet payload, etc.

[00189] In some embodiments, per-packet QoS information can be carried for different packets transmitted within the same tunnel. This may facilitate supporting different QoS levels for different users sharing the tunnel. QoS information may be provided on a packet-by-packet basis, for example as carried in the L3 IP packet header or PDU packet Header payload rather than the encapsulation header.

[00190] FIG. 14 illustrates another example of a packet structure according to an embodiment of the present invention. With reference to FIG. 14, an encapsulated packet includes a transport layer **1400**, an encapsulation header **1403** and user data **1410**. The transport layer **1400** further includes an L1/L2 header **1401** and an outer IP header **1402**. The user data further includes a PDU header **1404** and PDU payload **1405**. In some embodiments, the encapsulation header **1403** may embed information identifying the tunnel type, which can be used to support different types of tunnel protocols. For example one type of tunnel protocol is a per PDU flow tunnel protocol. In this example, the outer IP header **1402** can include an IP 5-tuple (source and destination addresses and port numbers, and layer 4 protocol indicator) which can be different per PDU session but is common to all QoS classes of a PDU session. Further, in the example of a per PDU flow tunnel protocol, the encapsulation header **1403** identifies the type of tunnel as a per PDU flow tunnel protocol, which identifies the QoS class and the PDU session. The encapsulation header may carry QoS information, such as a QoS Flow ID. The AN or UPF can read the QoS Flow ID and map it to a stored QoS profile specifying packet treatment parameters. Another example of a tunnel protocol is a per PDU session tunnel format (or protocol). The format and encapsulation can be configured as in TR 23.799, section 6.4.10.

[00191] Another example is a per node tunnel format (or protocol), which specifies one tunnel per destination. The per-node tunnel format can be defined for example in TR 23.1799, Section 6.4.11. This can be useful for cases where a session is not needed. For example, some MTC communications do not require a session, as a single packet can carry the full transmission message. In this example, the outer IP header **1402** can be selected based on the peer destination/node. Further, in this example of a per node tunnel protocol, the encapsulation header **1403** may not be needed for PDU session identification (as no session may be needed), but the encapsulation header **1403** can carry a QoS marking. In some cases,

a tunnel is desired or required and the packet including the transport layer and user data can be transmitted without an outer IP header or encapsulation header. There can be other tunnel types, for example, a per-service tunnel. Accordingly, as will be discussed below, embodiments include a tunnel type identifier in the encapsulation header to identify the type of tunnel, which can include Per-QoS tunnel, per-flow tunnel, per-session tunnel, and per-node tunnel, and other tunnel options. In some cases, when no tunnel is used, the outer IP header **1402** and the encapsulation header **1403** may be omitted.

[00192] Accordingly, various embodiments of the present invention provide an explicit indication of Tunnel Type in the encapsulation header **1403**. In some embodiments, the fact that the existing (GTP-U version 1 specified in 3GPP TS 29.281) message type field has multiple unused values is utilized to provide the tunnel type indication. That is, previously unassigned values for the message type field can be used to indicate tunnel type by assigning one or more of these values to one or more specified tunnel types. Accordingly some embodiments can utilize the following unused values of the Message Type field for identifying the Type of Tunnel: 8-15, 24, 25, 38-47, 63-69, 71-95, 106 – 111, 122-127, 242-253.

[00193] Depending on the Type of Tunnel, other information can be extracted from the packet. For example, the tunnel type can provide an indication to read other information (e.g. packet fields), for example from the inner PDU header or outer IP header. For example, in case of congestion, a UP function, e.g. a UP gateway, can identify the tunnel type in the encapsulation header and then read the inner IP header to determine session priority. Among multiple packets, a determination of the sessions or flows having lower priority can then be used to determine which packets to drop. For example a UP gateway can use the tunnel type in the encapsulation header, plus the inner IP header to identify packets from a single UE to drop.

[00194] In some embodiments, other fields in the tunnel (encapsulation) header can carry different information. For example, for a per-node tunnel: the encapsulation header can carry QoS information using the Sequence Number field because the transmission order of multiple flows is not required. As will be readily understood, the Sequence Number field can be used to indicate a transmission ordering of the packets of the same QoS data flow, and can further be used to detect packet losses and for retransmission request purposes. However, when such capabilities are not needed or are performed by another function, or layer, or another

Sequence Number in an encapsulated packet, the Sequence Number field may not be necessary. In some embodiments, the next extension header type field can be used to identify the presence of additional information, which can include routing information, or an UE identifier. In some embodiments, the Octets 9 to 12 in FIG. 13 can carry an UE identifier.

5 As such, embodiments of the present invention include identifying a UE by including a UE ID in, and subsequently reading the UE ID from, an extension header of a packet, or a UE ID field located in the place of one or more existing fields of a packet which are not currently required for carrying other information.

[00195] In some embodiments, other fields in the tunnel header can be removed (omitted) to provide for a more compact encapsulation header. For example, since multiple data flows of different UEs are multiplexed in a per-node or per-service tunnels, it is unnecessary to maintain the Sequence number, N-PDU and Next Extension Header Type. Accordingly, embodiments remove (omit) one or more of these fields to reduce the protocol overhead. In some embodiments, omission of such fields will save up to 4 bytes, which is non-negligible for MTC traffic, where the packet size is typically 20 bytes or less. Routers reading the packets are informed of the missing fields by reading the message type indicating the tunnel type does not include the removed fields. FIG. 15 illustrates an example compact header, according to embodiments of the present invention. In FIG 15, and in contrast to FIG. 13, the Sequence Number, N-PDU Number and Next Extension Header Type fields are omitted.

10
15
20

Instead the encapsulation header consists of the following fields: Version, PT, E, S, PN, Message Type, Length, and TEID. The Message Type field can include a code indicating a tunnel type, the fields present, the fields omitted, or a combination thereof.

[00196] In some cases the tunnel header can be further simplified if the outer UDP/IP header uses different IP addresses or different UDP port to indicate logical tunnel destinations for the UP function processing the packets. In such a case, there is no need to include TEID field in the tunnel header, as illustrated in FIG. 16, which can be suitable for per node based tunnels, according to another embodiment of the present invention. In FIG 16, and in contrast to FIG. 13, the TEID, Sequence Number, N-PDU Number, and Next Extension Header Type fields are omitted. Instead the encapsulation header consists of the following fields: Version, PT, E, S, PN, Message Type, and Length. For the embodiments of FIGs. 15 and 16, the Message Type field can include a code indicating a tunnel type, the fields present, the fields omitted, or a combination thereof.

25
30

5 [00197] In some embodiments, the tunnel type and message type can be combined. For example, in GTP-U protocol, the message type numbered 8 is unused. This unused value can be used to carry tunnel type “per node-level tunnel” and message type “Error Indication”. For example the error can indicate the packet was delayed (beyond a threshold) at the tunnel entrance.

10 [00198] In another embodiment, and with reference to FIG. 17, there is provided a network which is configured to provide an indication of the tunnel type using implicit (e.g. control plane) signaling. In such an embodiment, when the session is setup, a Session Management (SM) function in the control plane CP 1715 informs UP functions 1720 of the type of the tunnel. For example, the tunnel type information can be sent from CP 1715 to UP 1720 via a NG4 interface and from CP 1715 to the AN 1710 via a NG2 interface. Routers within the UP will store the tunnel type from the received signaling messages. The UP function 1720 and the AN 1710 are configured to handle tunnel packets between the UE 1705 and the data network 1725 based on the indicated tunnel type. Accordingly, and in some embodiments, 15 when a packet arrives at a router, the router will read other header information depending on the stored tunnel type.

20 [00199] The above embodiments illustrate methods that can be applied to the current GTP-U protocol. Network nodes or network functions can be configured to operate according to the above-described methods. However these methods are not limited to the current GTP-U protocol and the methods disclosed herein can be applied to other (e.g. new) tunnel protocols. For example, a new tunnel protocol can be derived from GTP-U protocol by adding QoS marking bits in the encapsulation header.

25 [00200] Accordingly, according to embodiments of the present invention, networks can be configured to utilize different tunnel types, and UP routers can be informed of the tunnel type, and respond by processing the packets according to tunnel type. In some embodiments, this can reduce overhead signalling while providing a flexible approach.

30 [00201] Accordingly embodiments can potentially offer a variety of benefits. Some embodiments have the advantage of supporting Quality of Service (QoS) treatment on a per packet basis. For example, if tunnel type is for per-node or per-service tunnels, the user plane (UP) functions can determine additional information, for example by examining inner header information (e.g., PDU header) to identify flows. Some embodiments can reduce tunnel

overhead for small data services (e.g. MTC), for example by utilizing per node tunnels which can be preconfigured to avoid the overhead of establishing a tunnel for small data transmissions. Some embodiments can reduce the routing complexity by adding routing information to the extension header, such as slice ID, so that the tunnel endpoint can identify the next tunnel to forward packets to.

[00202] Embodiments of the present invention comprise operations automatically provided by one or more nodes, functions, or a combination of nodes and functions, forming part of a wireless communication network. Each node or function may be associated with enabling components such as a microprocessor, electronic memory, and communication interface or interfaces. The microprocessor may execute program instructions stored in memory in order to implement the desired functionality of the node or function as described herein. The microprocessor and memory may be at least partially replaced with equivalent electronic components such as digital logic components in some embodiments. Nodes or functions may be operated on dedicated hardware or they may be virtualized, that is made to operate on generic hardware platforms in accordance with a network function virtualization (NFV) framework.

[00203] FIG. 18A is a block diagram illustrating a network node **1800** for use in carrying out the method and operations as discussed above. Multiple such network nodes may cooperate to implement the present invention. Each network node **1800** may implement one or more functions, such as but not limited to a CP-MM, CP-AU, CP-SM, UP function, user database function, gateway function, CP policy function, AS function, or network management function. A network node **1800** may operate as an edge node, such as an AN node or RA node, in which case the wireless interface or radio bearer interface **1840** is provided.

[00204] The network node **1800** includes a network interface **1830** configured to communicate with other network nodes by transmitting and receiving data such as control plane data. The network node **1800** includes a memory **1820** storing program instructions and other information such as state information, database entries, packet data, and operating data, the program instructions including instructions for operating the network node as described herein. Multiple different types of memory may be provided for different uses. The network node **1800** includes a processor **1810** configured to execute the program instructions stored in the memory **1820**, for example to process data received by the network interface **1830** and to generate data for transmission by the network interface **1830**, and

otherwise to implement various network functions, method steps, and behaviours of nodes as described herein. In the case of an edge node, the processor **1810** also interacts with a wireless interface **1840** in order to wirelessly transmit and receive data from UEs. Network nodes **1800** may be provided using dedicated hardware, or via network function virtualization, in which components such as the network interface **1830**, processor **1810** and memory **1820** are situated in one or more generic hardware platforms and configured to implement the functionality of one or more network nodes.

[00205] The network node **1800** may include one or more components operable to perform certain actions as described above. The components may be configured to perform method steps as described above, for example. Each component may be instantiated using the processor **1810**, the memory **1820**, and the network interface **1830**. Examples of such components are described below with respect to FIG. 18B, which is a variation of FIG. 18A. Each of the components are applicable in some but not necessarily all embodiments, and each may be omitted when not required. The network node may include a context information retriever **1852** configured to obtain UE context information based on content of an attach request. The network node may include a session establisher **1854** configured to perform session establishment operations as described herein, possibly in conjunction with other network nodes. The network node may include an access node resource establisher **1856** configured to determine and establish access node resources as described herein, possibly in conjunction with other network nodes. The network node may include a packet processor **1858** configured to process received uplink or downlink packets. The network node may include a packet encapsulator **1860** configured to encapsulate received PDU packets for forwarding.

[00206] The network node may include a tunnel type identifier **1862** configured to identify, from a plurality of tunnel types, a type of tunnel used for conveying a packet. The type of tunnel may be identified based on content of a tunnel encapsulation header, for example. The tunnel type identifier **1862** may operate on received packets. Alternatively the tunnel type identifier **1862** may operate on packets to be transmitted, by identifying a tunnel type used in transmitting the packet, for example by configuring the tunnel encapsulation header. The network node may include a tunnel type selector **1864** which selects the type of tunnel to be used on packets to be transmitted, and causes the tunnel type identifier to operate on the packets accordingly.

[00207] FIG. 21 illustrates a method **2100** for providing a node-level tunnel in a communication network, according to an embodiment of the present invention. The method includes, by a session management function operating in the communication network:
5 receiving **2110** policy information from a policy function. The method further includes establishing **2130** the node-level tunnel based on the received policy information. The node-level tunnel is established prior to reception, by the session management function, of session requests involving a User Equipment (UE), the session requests to be accommodated using the node-level tunnel.

10

[00208] The method **2100** may further include receiving **2112** logical network configuration information from a network management function. Establishing **2130** the node-level tunnel may include configuring **2132** the node-level tunnel based on the logical network configuration information. In some embodiments, establishing **2130** the node-level tunnel
15 comprises transmitting **2134**, to an access node, context information related to the UE. In some embodiments, establishing **2130** the node-level tunnel comprises obtaining **2136**, from a user database, stored information related to the UE, and generating **2138** the context information based on the stored information.

20 [00209] In some embodiments, establishing **2130** the node-level tunnel is performed in response to receipt **2114** of a request message from an access network node.

[00210] In some embodiments, establishing **2130** the node-level tunnel further comprises:
25 selecting **2140** one of a plurality of pre-configured node-level tunnels as the node-level tunnel, based on the policy information and further information provided by the access network node; and transmitting an indication of UE context information to the access network node, the UE context information associated with the node-level tunnel.

[00211] In some embodiments, the method **2100** further includes pre-assigning **2150**, based
30 on the policy information, one or more data flows, session, and UEs to one of a plurality of node-level tunnels, including the node level tunnel.

[00212] In various embodiments, after establishing **2130** the node-level tunnel, the method may include receiving **2180** one or more session requests involving UEs, the session requests to be accommodated using the node-level tunnel. As such, the node-level tunnel is established prior to receipt of these session requests.

5

[00213] As also illustrated, in some embodiments, the policy information includes one or more of: Quality of Service (QoS) information **2160** for the UE; charging policies **2162** for the UE; a traffic routing policy **2164** for the UE; a maximum bit rate **2166** to be accommodated by the node-level tunnel; a maximum number of UEs **2168** having traffic carried by the node-level tunnel; a designation **2170** of types of devices to be served by the node-level tunnel; and an indication **2172** of types of services to be served by the node-level tunnel.

10

[00214] In some embodiments, the policy is indicative that, when congestion occurs at an exit node of the node-level tunnel, packets are to be dropped at an entrance node of the node-level tunnel. In this case, the method further comprises instructing **2152** the entrance node to drop packets in response to congestion at the exit node.

15

[00215] FIG. 22 illustrates a session management function **2200** operating in a communication network, according to an embodiment of the present invention. The session management function **2200** is operated using a processor **2210**, a memory **2220** and a network interface **2230**. The session management function **2200** is configured to receive, via the network interface **2230**, policy information from a policy function. The information may be received using a policy receiver **2240**. The session management function **2200** is configured to establish, via instructions transmitted through the network interface **2230**, a node-level tunnel in the communication network based on the received policy information. The node-level tunnel can be established using a tunnel establisher **2250**. The policy receiver **2240** and tunnel establisher **2250** are enabled using the processor **2210**, memory **2220** and network interface **2230**. Again, the node-level tunnel is established prior to reception, by the session management function, of session requests involving a User Equipment (UE), the session requests to be accommodated using the node-level tunnel. The session management function may be configured to perform various operations corresponding to the method as described above with respect to FIG. 21.

20

25

30

[00216] Having reference to FIG. 23, a first further aspect of the present invention provides for a method **2300** for providing a node-level tunnel in a communication network, the method comprising, by a policy function operating in the communication network: receiving **2310** information indicative of network resources assigned to a network slice; based on the received information, defining **2330** a policy assigning some of the network resources for use by the node-level tunnel; and transmitting **2350** an instruction to a session management function to assign user plane communications to the node-level tunnel according to the policy.

[00217] Having reference to FIG. 24, the first further aspect may further provide for a policy function **2400** operating in the communication network, the policy function operated using a processor **2410**, a memory **2420** and a network interface **2430** and configured to: receive, via the network interface, information indicative of network resources assigned to a network slice; based on the received information, define a policy assigning some of the network resources for use by a node-level tunnel in the communication network, for example using a policy definer **2440**; and transmit, via the network interface, an instruction to a session management function to assign user plane communications to the node-level tunnel according to the policy, for example using a policy instructor **2450**. The policy definer **2440** and policy instructor **2450** are enabled using the processor **2410**, memory **2420** and network interface **2430**.

[00218] In some embodiments of the first further aspect, the received information is further indicative of usage of the network resources. In some embodiments, the first further aspect further comprises, based on the received information, providing a traffic routing policy for the node-level tunnel. In some embodiments, the first further aspect further comprises receiving traffic information indicative of current network traffic conditions, and providing a traffic routing policy, a QoS policy, or both, for the node-level tunnel based on the traffic information. In some embodiments, the first further aspect further comprises based on the received information, providing a QoS policy, a charging policy, or both, for the node-level tunnel.

[00219] In some embodiments, the first further aspect further comprises: receiving additional information from one or more of: a network function; an access node; a user plane function; a network management function; a user database; and a session management function; and defining the policy based on the additional information.

[00220] In some embodiments of the first further aspect, the policy is indicative that, when congestion occurs at an exit node of the node-level tunnel, packets are to be dropped at an entrance node of the node-level tunnel. In some embodiments of the first further aspect, the received information is further indicative of a logical or physical topology of the communication network. The policy may define one or more of: traffic steering, QoS settings, and congestion management settings based on the logical or physical topology.

[00221] A second further aspect of the present invention provides for a method for processing a packet received via a communication network, comprising: identifying, from a plurality of tunnel types, a type of tunnel used for conveying the packet, the identifying based on content of a tunnel encapsulation header of the packet or based on a received control plane message; and processing the packet according to the identified type of tunnel.

[00222] The second further aspect may further provide for a device in a communication network for processing a packet received via a communication network, the device comprising a processor, a memory and a network interface and configured to: identify, from a plurality of tunnel types, a type of tunnel used for conveying the packet, the identifying based on content of a tunnel encapsulation header of the packet or based on a received control plane message; and process the packet according to the identified type of tunnel.

[00223] In some embodiments of the second further aspect, the identifying is based on content of a message type field belonging to the tunnel encapsulation header. In some embodiments of the second further aspect, processing the packet comprises reading a UE identifier from a location in the packet, the location determined based on the identified type of tunnel.

[00224] A third further aspect of the present invention provides for method for transmitting a packet via a communication network, comprising: selecting, from a plurality of tunnel types, a type of tunnel to be used for conveying the packet; configuring the packet according to the selected type of tunnel; and transmitting the packet.

[00225] The third further aspect may further provide for a device in a communication network for transmitting a packet received via a communication network, the device

comprising a processor, a memory and a network interface and configured to: select, from a plurality of tunnel types, a type of tunnel to be used for conveying the packet; configure the packet according to the selected type of tunnel; and transmit the packet.

5 [00226] In some embodiments, the third further aspect further comprises configuring a tunnel encapsulation header of the packet to include a value indicative of the type of tunnel. In some embodiments of the third further aspect, the type of tunnel is indicated to a recipient of the packet using a control plane message. In some embodiments of the third further aspect, configuring the packet comprises including a UE identifier at a location in the packet, the
10 location depending on the selected type of tunnel. In some embodiments, the third further aspect further comprises determining a set of required information fields for the packet, and wherein the selected type of tunnel includes the set of required information fields and excludes a maximum number of information fields other than the set of required information fields.

15

[00227] It will be readily understood that, throughout the preceding discussion, the above-described network functionalities and operations may correspond to a method for use in supporting operation of a communication network, such as a 5G wireless communication network. The method may involve computer-implemented functions, namely functions which
20 are implemented by one or more computing, communication or memory components of the network infrastructure, or a combination thereof. These components may take various forms, such as specific servers or general-purpose computing, communication or memory devices, or combinations thereof, which are configured to provide the required functionality through virtualization technologies. The method may involve the operation of one or more network
25 components in order to improve the operation of the network. As such, with the communication network viewed as an apparatus, embodiments of the present invention may be directed to improving internal operations of the communication network.

[00228] Further, it will be readily understood that embodiments of the present invention
30 relate to a communication network system or associated apparatus thereof, which is configured to perform the above-described network functionalities and operations. Again, the system or apparatus may comprise one or more computing, communication or memory components of the network infrastructure, or combinations thereof, which may take various

forms, such as specific servers or general-purpose computing, communication or memory devices, or combinations thereof, which are configured to provide the required functionality through virtualization technologies. Various methods as disclosed herein may be implemented on one or more real or virtual computing devices, such as devices within a communication network control plane, devices operating in the data plane, or a combination thereof. Computing devices used to implement method operations may include a processor operatively coupled to memory, the memory providing instructions for execution by the processor to perform the method as described herein.

5 [00229] Various embodiments of the present invention utilize one or both of: real computer resources; and virtual computer resources. Such computer resources utilize, at a hardware level, a set of one or more microprocessors operatively coupled to a corresponding set of memory components which include stored program instructions for execution by the microprocessors. Computing resources may be used to provide virtual computing resources at one or more levels of virtualization. For example, one or more given generic computer hardware platforms may be used to provide one or more virtual computing machines. Computer hardware, such as processor resources, memory, and the like, may also be virtualized in order to provide resources from which further virtual computing machines are built. A set of computing resources which are allocatable for providing various computing resources which in turn are used to realize various computing components of a system, may be regarded as providing a distributed computing system, the internal architecture of which may be configured in various ways.

15 [00230] FIG. 19 is an exemplary block diagram of a processing system **1901** that may be used for implementing the various network functions. As shown in FIG. **19**, processing system **1901** includes a processor **1910**, working memory **1920**, non-transitory storage **1930**, network interface, I/O interface **1940**, and depending on the node type, a transceiver **1960**, all of which are communicatively coupled via bi-directional bus **1970**.

20 [00231] According to certain embodiments, all of the depicted elements may be utilized, or only a subset of the elements. Further, the processing system **1901** may contain multiple instances of certain elements, such as multiple processors, memories, or transceivers. Also, elements of processing system **1901** may be directly coupled to other components without the bi-directional bus.

[00232] The memory may include any type of non-transitory memory such as static random access memory (SRAM), dynamic random access memory (DRAM), synchronous DRAM (SDRAM), read-only memory (ROM), any combination of such, or the like. The mass storage element may include any type of non-transitory storage device, such as a solid state drive, hard disk drive, a magnetic disk drive, an optical disk drive, USB drive, or any computer program product configured to store data and machine executable program code. According to certain embodiments, the memory or mass storage have recorded thereon statements and instructions executable by the processor for performing the aforementioned functions and steps.

5 [00233] The processing system **1901** can be used to implement a user plane function (UPF) or router or a CP function described herein.

[00234] Those skilled in the art will appreciate that this method can be carried out at any number of different UPFs, and may be carried out at the Access Network Node. Having reference to FIG. 20, the process **2000** can start with receiving **2010** user data, such as user data **110**, depending on the UPF performing the method. The UPF processes **2030** the packets according to an identified tunnel type. Depending on the UPF, the UPF may first identify **2020** the tunnel type from among plural different potential tunnel types. For example an access node may identify the appropriate tunnel type to use for user data. In which case processing packets can include encapsulating the user data with an encapsulation header which identifies the tunnel type. For intermediate UPFs the packet processing can include reading the encapsulated header to identify the tunnel type and processing the packet in accordance to the identified tunnel type.

[00235] Through the descriptions of the preceding embodiments, the present disclosure may be implemented by using hardware only or by using software and a necessary universal hardware platform. Based on such understandings, the technical solution of the present disclosure may be embodied in the form of a software product. The software product may be stored in a non-volatile or non-transitory storage medium, which can include the device memory as described above, or stored in removable memory such as compact disk read-only memory (CD-ROM), flash memory, or a removable hard disk. The software product includes a number of instructions that enable a computer device (computer, server, or network device) to execute the methods provided in the embodiments of the present disclosure. For example, such an execution may correspond to a simulation of the logical operations as described

herein. The software product may additionally or alternatively include number of instructions that enable a computer device to execute operations for configuring or programming a digital logic apparatus in accordance with embodiments of the present disclosure.

5 [00236] Although the present invention has been described with reference to specific features and embodiments thereof, it is evident that various modifications and combinations can be made thereto without departing from the invention. For example, the CP-MM and CP-SM function can be implemented in one combined MM/SM function. In this implementation, the internal messages between CP-MM and CP-SM functions can be omitted. Another
10 example is that the network can be implemented using network slicing. Each network slice can have its own CP functions. In this case, a slice selection (SS) function in the CP can be introduced so that the AN node will send the UE attach request to the CP-SS function first. Then the CP-SM will identify the UE and service request, and forward the UE attach request to a CP-MM function managing the selected slice. The specification and drawings are,
15 accordingly, to be regarded simply as an illustration of the invention as defined by the appended claims, and are contemplated to cover any and all modifications, variations, combinations or equivalents that fall within the scope of the present invention.

WE CLAIM:

1. A method for operating a session management function in a communication network, the method comprising:
5 receiving policy information from a policy function; and
establishing a node-level tunnel based on the received policy information, wherein the node-level tunnel is established prior to reception, by the session management function, of session requests involving a User Equipment (UE), the session requests to be accommodated using the node-level tunnel.
10
2. The method of claim 1, further comprising:
receiving logical network configuration information from a network management function; and
15 configuring the node-level tunnel based on the logical network configuration information.
3. The method of any one of claims 1 to 2, wherein establishing the node-level tunnel comprises transmitting, to an access node, context information related to the UE.
- 20 4. The method of any one of claims 1 to 3, wherein establishing the node-level tunnel further comprises obtaining, from a user database, stored information related to the UE, and generating the context information based on the stored information.
- 25 5. The method of any one of claims 1 to 4, further comprising associating the node-level tunnel with context information related to the UE in response to receipt of a request message from an access network node.
- 30 6. The method of claim 5, wherein associating the node-level tunnel with the context information further comprises: selecting one of a plurality of pre-configured node-level tunnels as the node-level tunnel, based on the policy information and further information provided by the access network node; and transmitting an indication of the context information to the access network node.

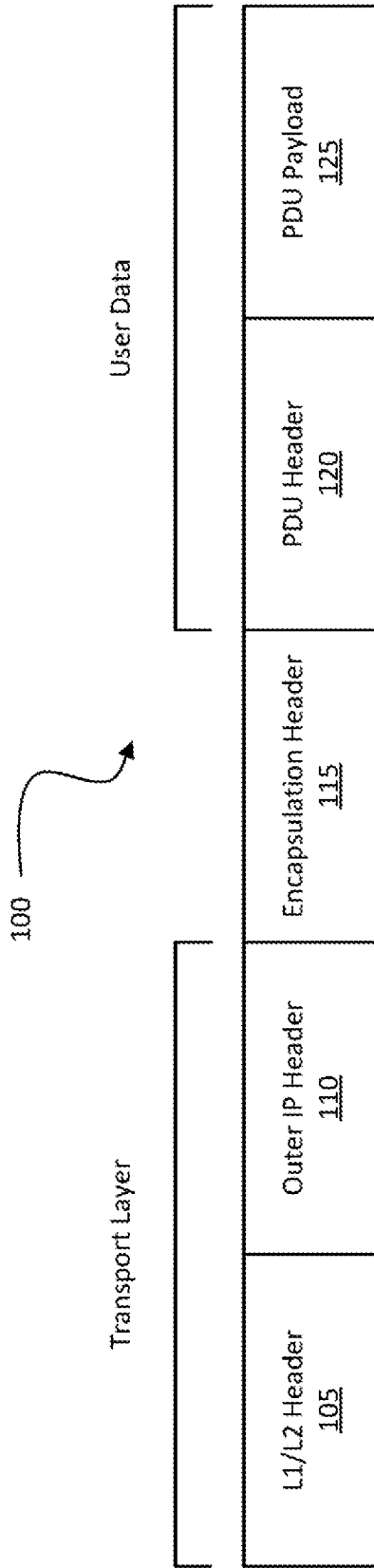
7. The method of claim 6, wherein the further information includes selection assistance information generated by the access node based on context of an attach request received from the UE.
- 5 8. The method of any one of claims 1 to 7, further comprising pre-assigning, based on the policy information, one or more data flows, session, and UEs to one of a plurality of node-level tunnels, including the node level tunnel.
9. The method of any one of claims 1 to 8, wherein the policy information includes one or more of:
- 10 Quality of Service (QoS) information for the UE;
 charging policies for the UE;
 a traffic routing policy for the UE;
 a maximum bit rate to be accommodated by the node-level tunnel;
 a maximum number of UEs having traffic carried by the node-level tunnel;
- 15 a designation of types of devices to be served by the node-level tunnel; and
 an indication of types of services to be served by the node-level tunnel.
10. The method of any one of claims 1 to 9, wherein the policy is indicative that, when
20 congestion occurs at an exit node of the node-level tunnel, packets are to be dropped
 at an entrance node of the node-level tunnel, the method further comprising
 instructing the entrance node to drop packets in response to congestion at the exit
 node.
11. The method of any one of claims 1 to 10, wherein the node-level tunnel is shared by a
25 group of UEs defined by a predetermined characteristic and consisting of less than all
 UEs, or wherein the pre-configured node-level tunnel is used to provide a particular
 service to the UE, the service belonging to a group of services defined by a
 predetermined characteristic and consisting of less than all services available.
- 30 12. The method of any one of claims 1 to 11, wherein the node-level tunnel is a common
 tunnel for traffic between at least one pair of network functions.

13. A session management function in a communication network, the session management function operated using a processor, a memory and a network interface and configured to:
- 5 receive, via the network interface, policy information from a policy function; and
- establish, via instructions transmitted through the network interface, a node-level tunnel in the communication network based on the received policy information, wherein the node-level tunnel is established prior to reception, by the session management function, of session requests involving a User Equipment (UE), the session requests to be accommodated using the node-level tunnel.
- 10
14. The session management function of claim 13, further configured to:
- receive, via the network interface, logical network configuration information from a network management function; and
- 15 configure the node-level tunnel based on the logical network configuration information.
15. The session management function of any one of claims 13 to 14, wherein establishing the node-level tunnel comprises transmitting, to an access node, context information related to the UE.
- 20
16. The session management function of claim 15, wherein establishing the node-level tunnel further comprises obtaining, from a user database and using the network interface, stored information related to the UE, and generating the context information based on the stored information.
- 25
17. The session management function of any one of claims 13 to 16, further configured to associate the node-level tunnel with context information related to the UE in response to receipt of a request message from an access network node.
- 30
18. The session management function of claim 17, wherein associating the node-level tunnel with the context information further comprises: selecting one of a plurality of pre-configured node-level tunnels as the node-level tunnel, based on the policy

information and further information provided by the access network node; and transmitting an indication of the context information to the access network node.

- 5 19. The session management function of claim 18, wherein the further information includes selection assistance information generated by the access node based on context of an attach request received from the UE.
- 10 20. The session management function of any one of claims 13 to 19, further configured to pre-assign, based on the policy information, one or more data flows, session, and UEs to one of a plurality of node-level tunnels, including the node level tunnel.
- 15 21. The session management function of any one of claims 13 to 20, wherein the policy information includes one or more of:
Quality of Service (QoS) information for the UE;
charging policies for the UE;
a traffic routing policy for the UE;
a maximum bit rate to be accommodated by the node-level tunnel;
a maximum number of UEs having traffic carried by the node-level tunnel;
a designation of types of devices to be served by the node-level tunnel; and
an indication of types of services to be served by the node-level tunnel.
- 20 22. The session management function of any one of claims 13 to 21, wherein the policy is indicative that, when congestion occurs at an exit node of the node-level tunnel, packets are to be dropped at an entrance node of the node-level tunnel, the session management function further configured to instruct the entrance node to drop packets
- 25 23. The session management function of any one of claims 13 to 22, wherein the node-level tunnel is shared by a group of UEs defined by a predetermined characteristic and consisting of less than all UEs, or wherein the pre-configured node-level tunnel is used to provide a particular service to the UE, the service belonging to a group of
- 30 services defined by a predetermined characteristic and consisting of less than all services available.

24. The session management function of any one of claims 13 to 23, wherein the node-level tunnel is a common tunnel for traffic between at least one pair of network functions.



PRIOR ART

FIG. 1

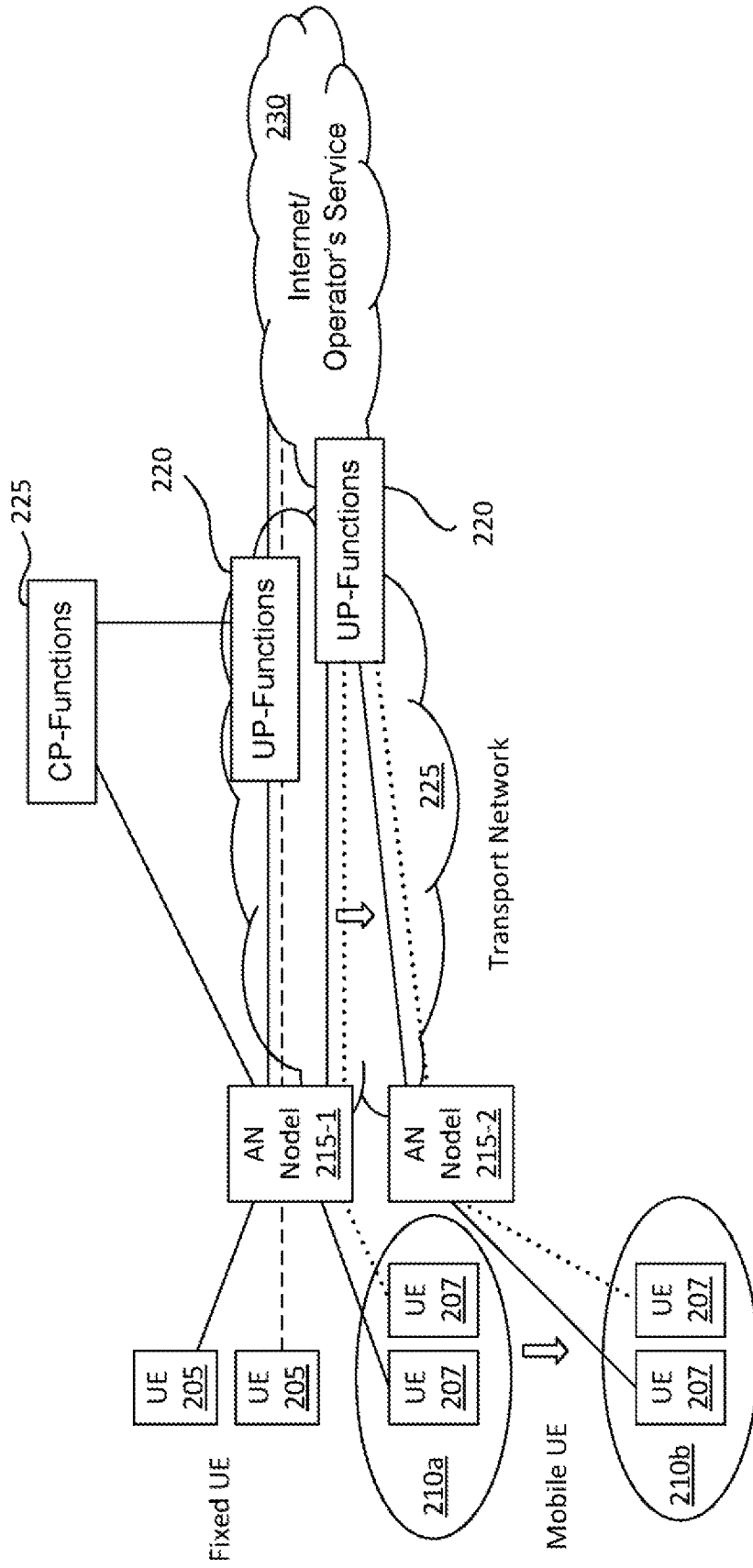


FIG. 2

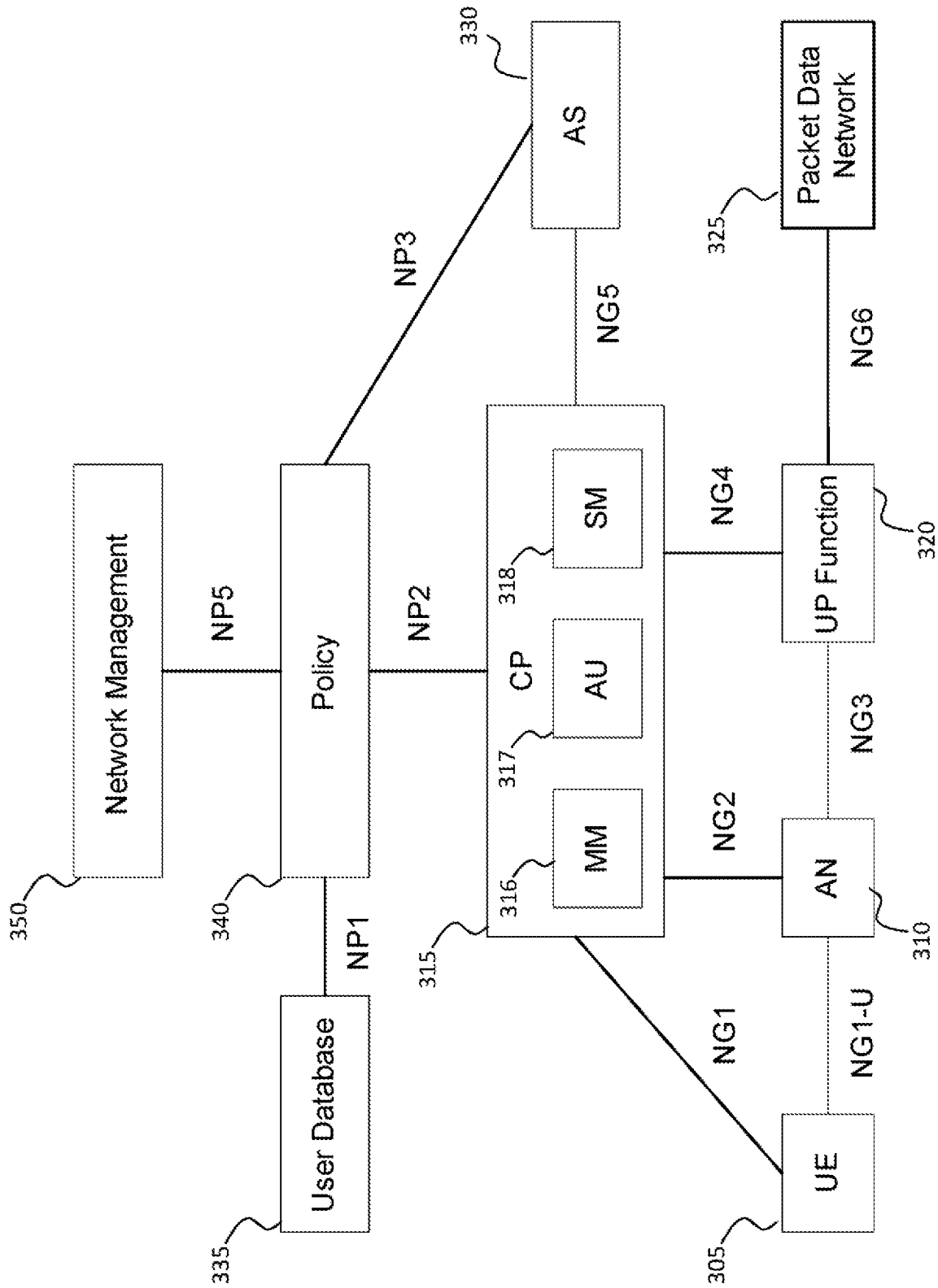


FIG. 3

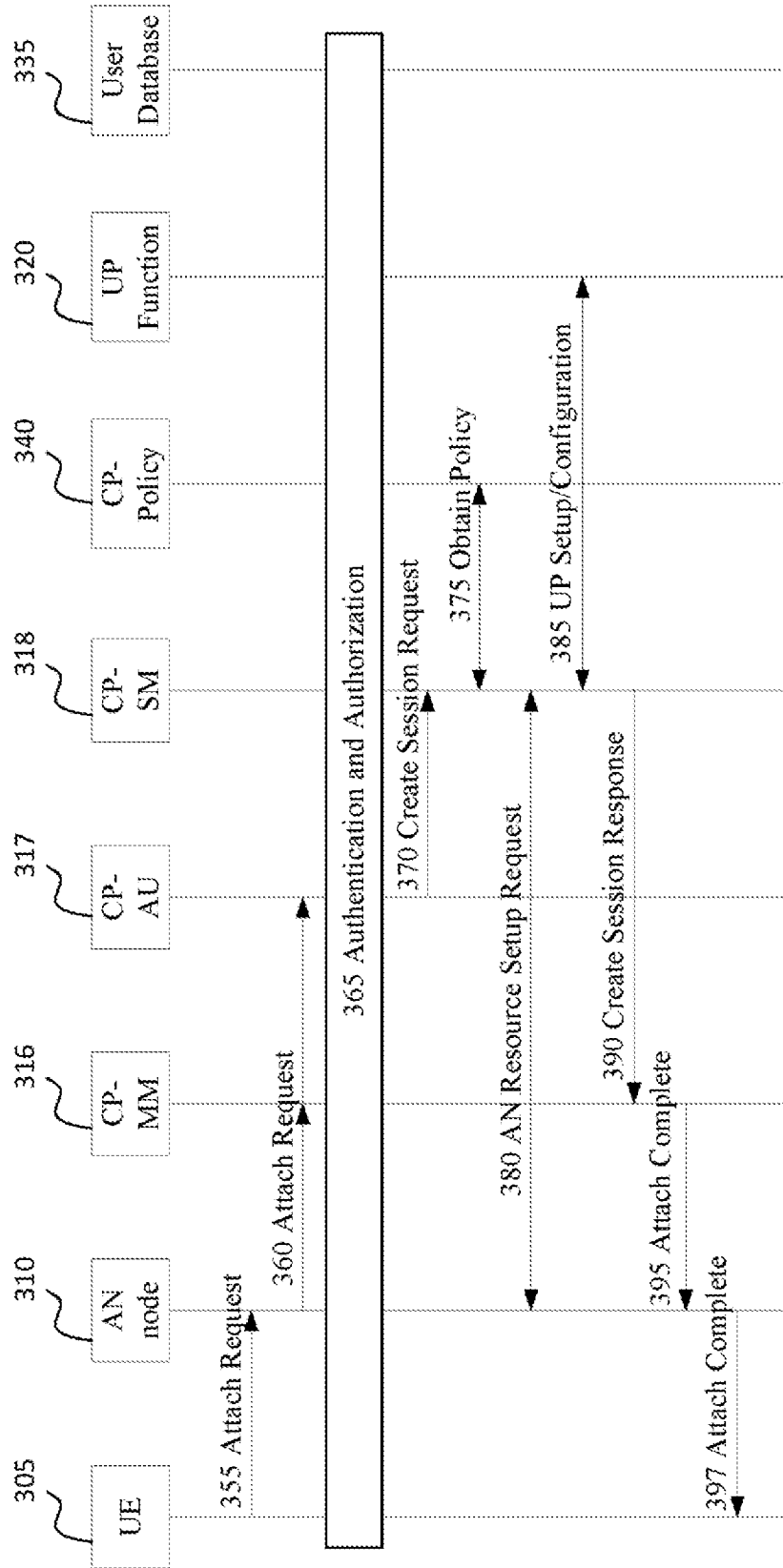


FIG. 4

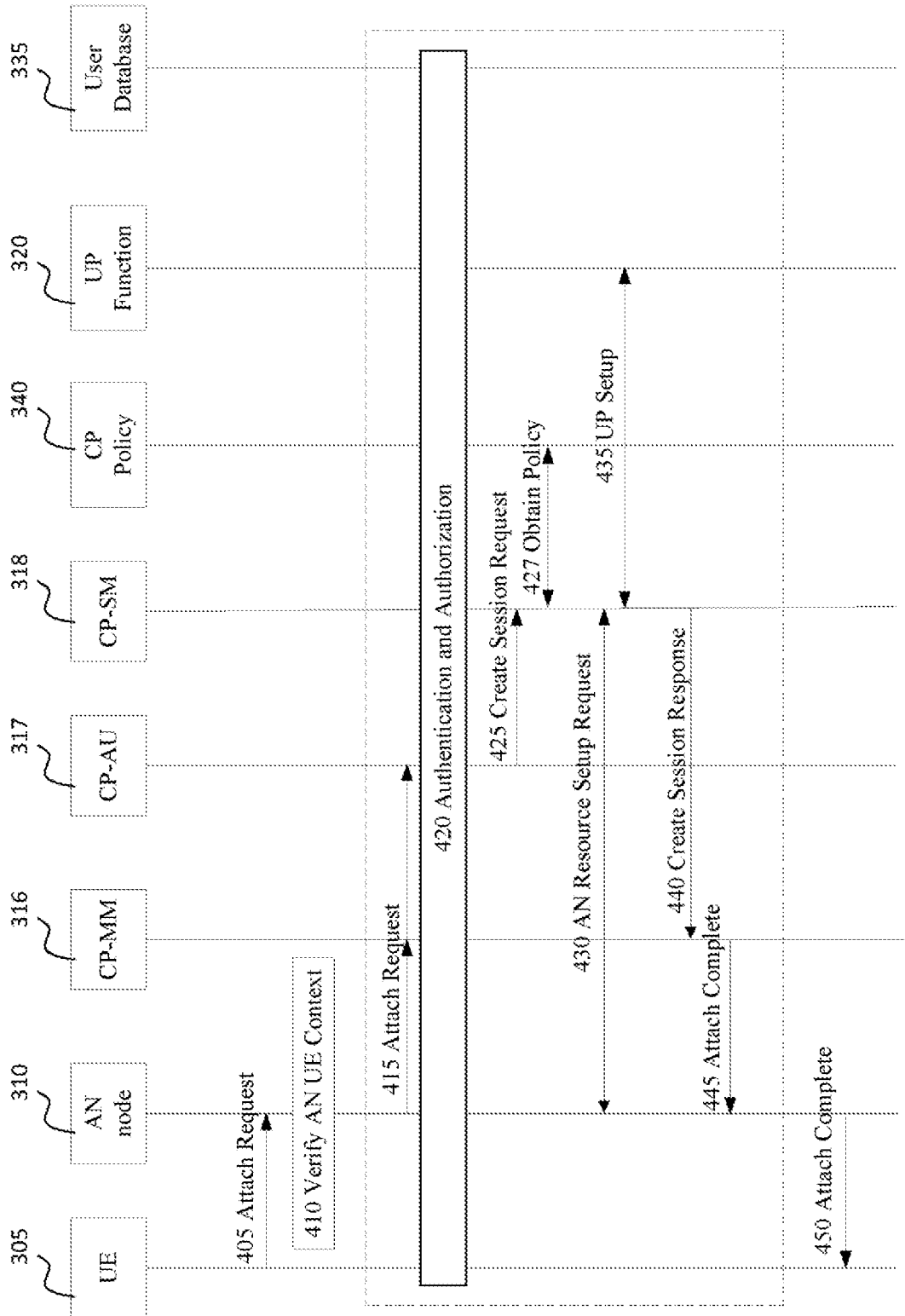


FIG. 5

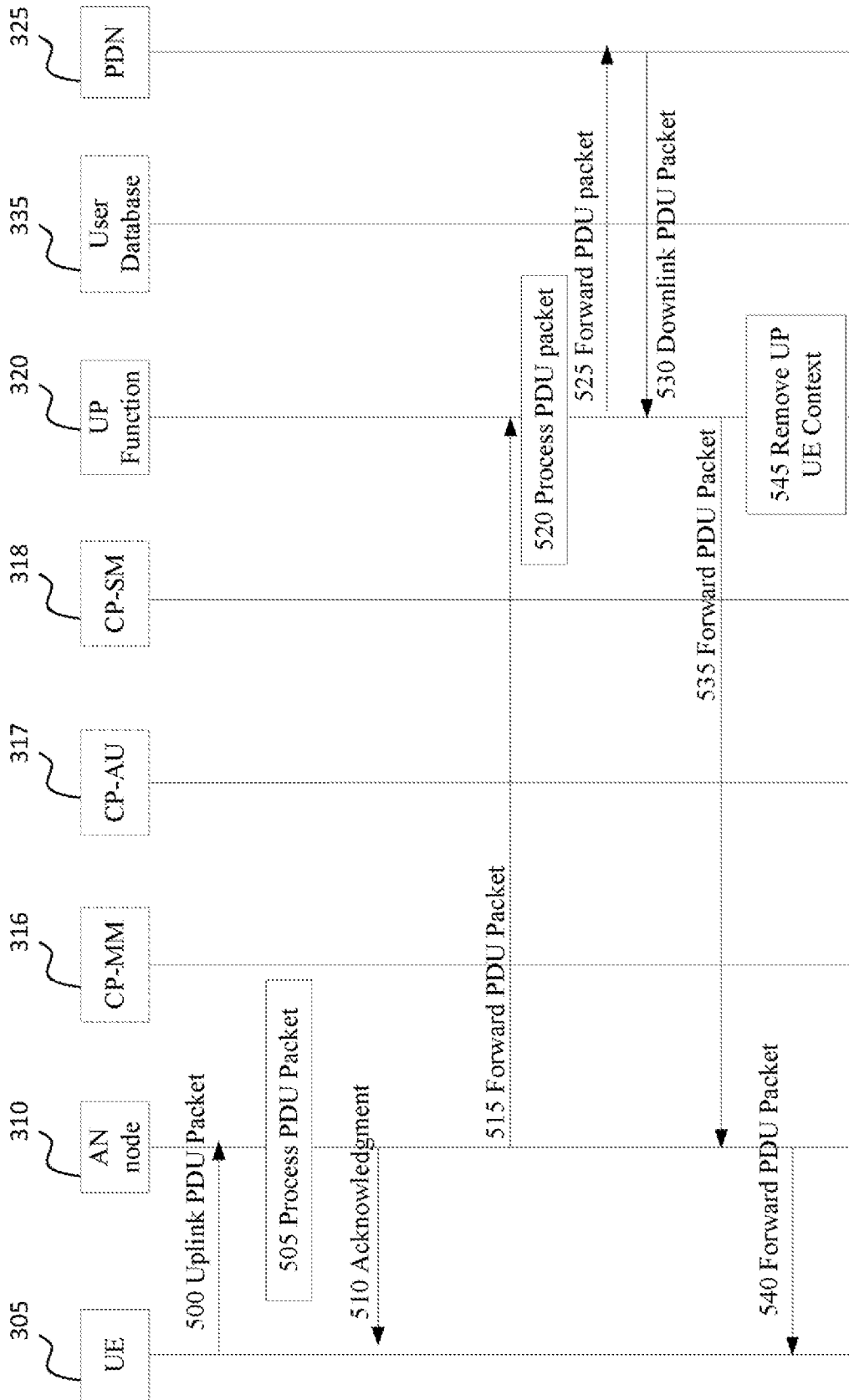


FIG. 6

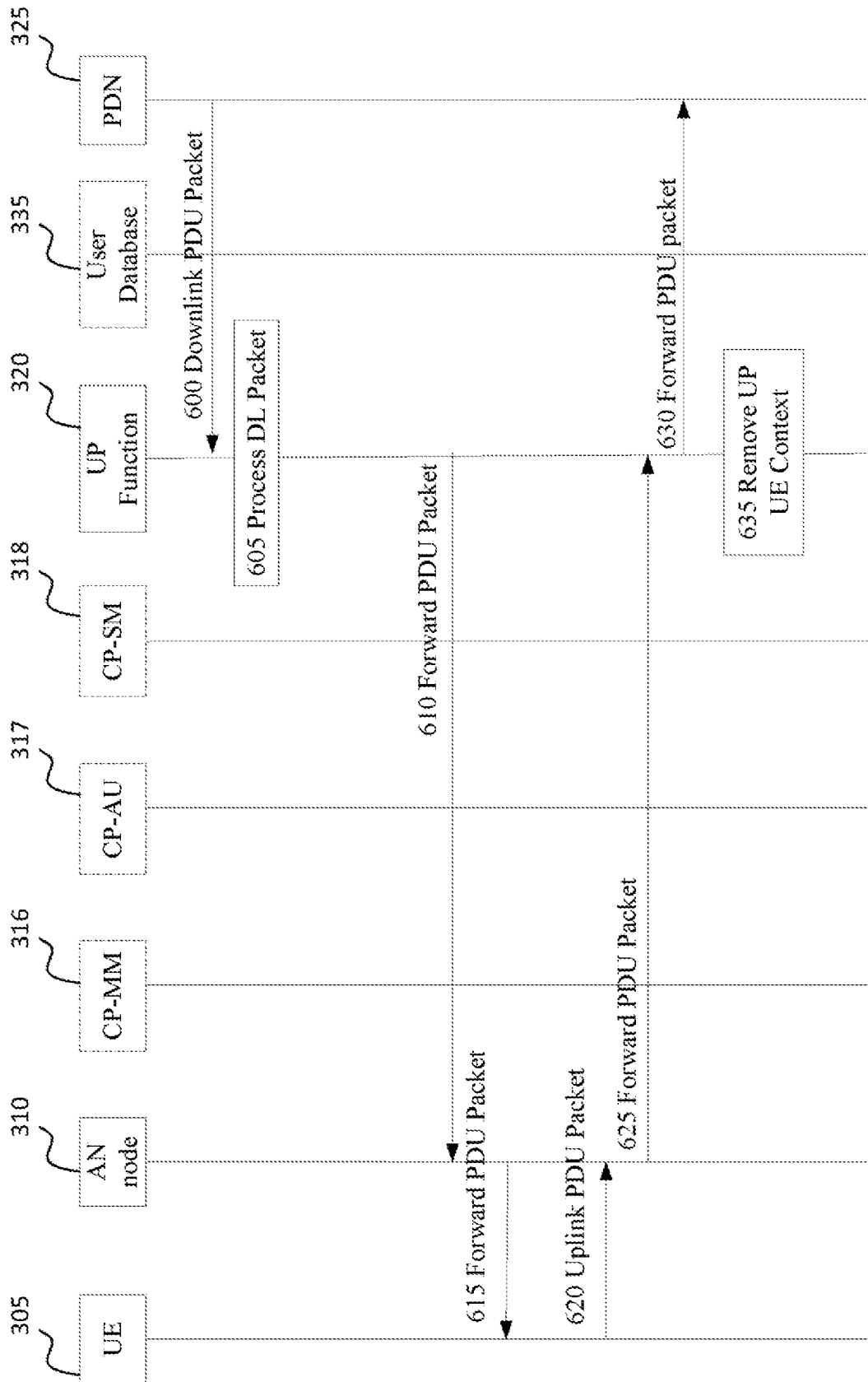
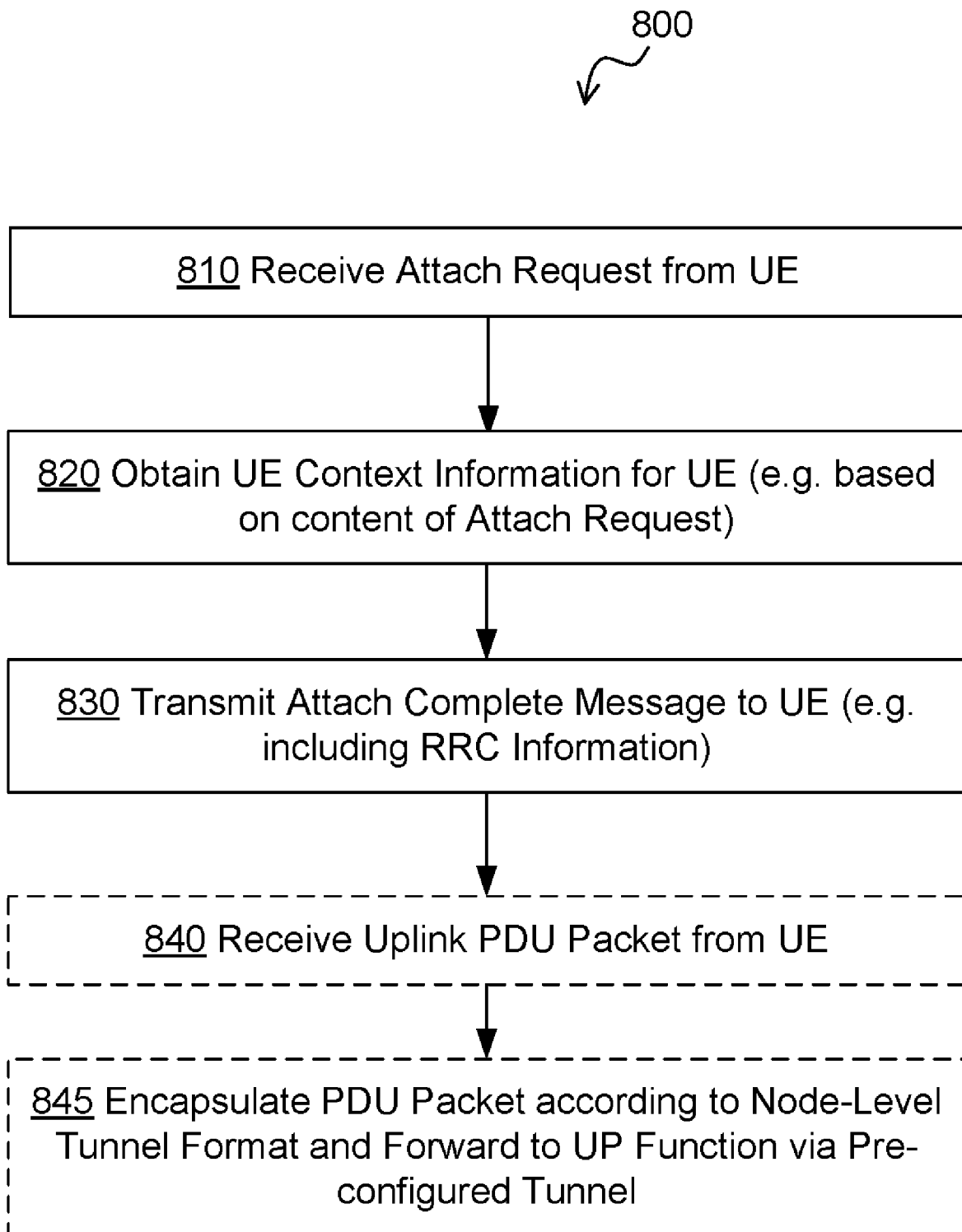
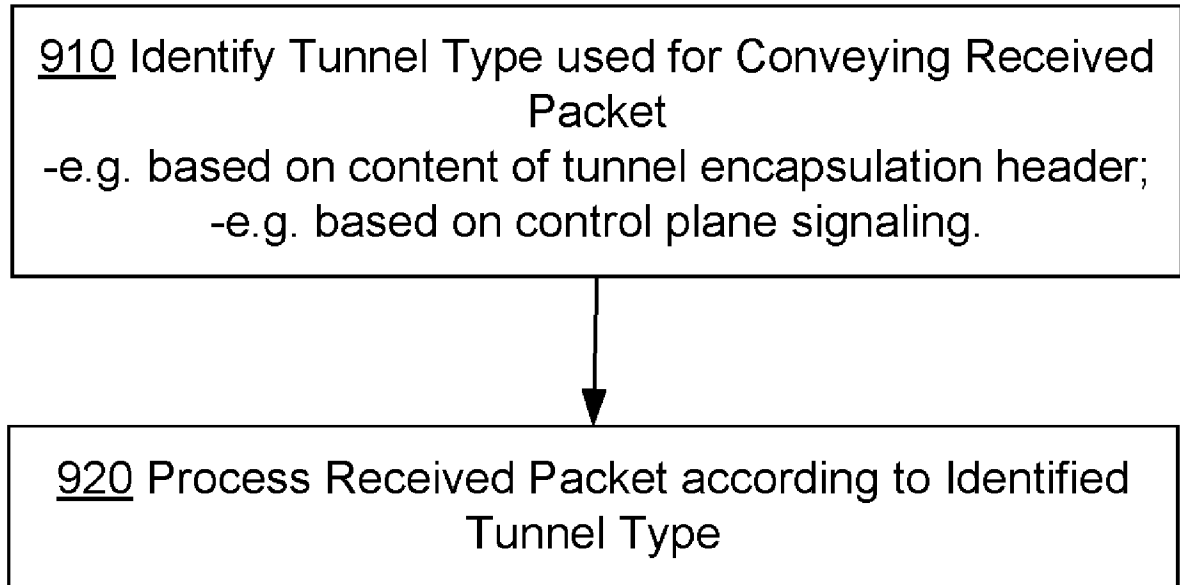


FIG. 7

8/25

**FIG. 8**

9/25

900
**FIG. 9**

10/25

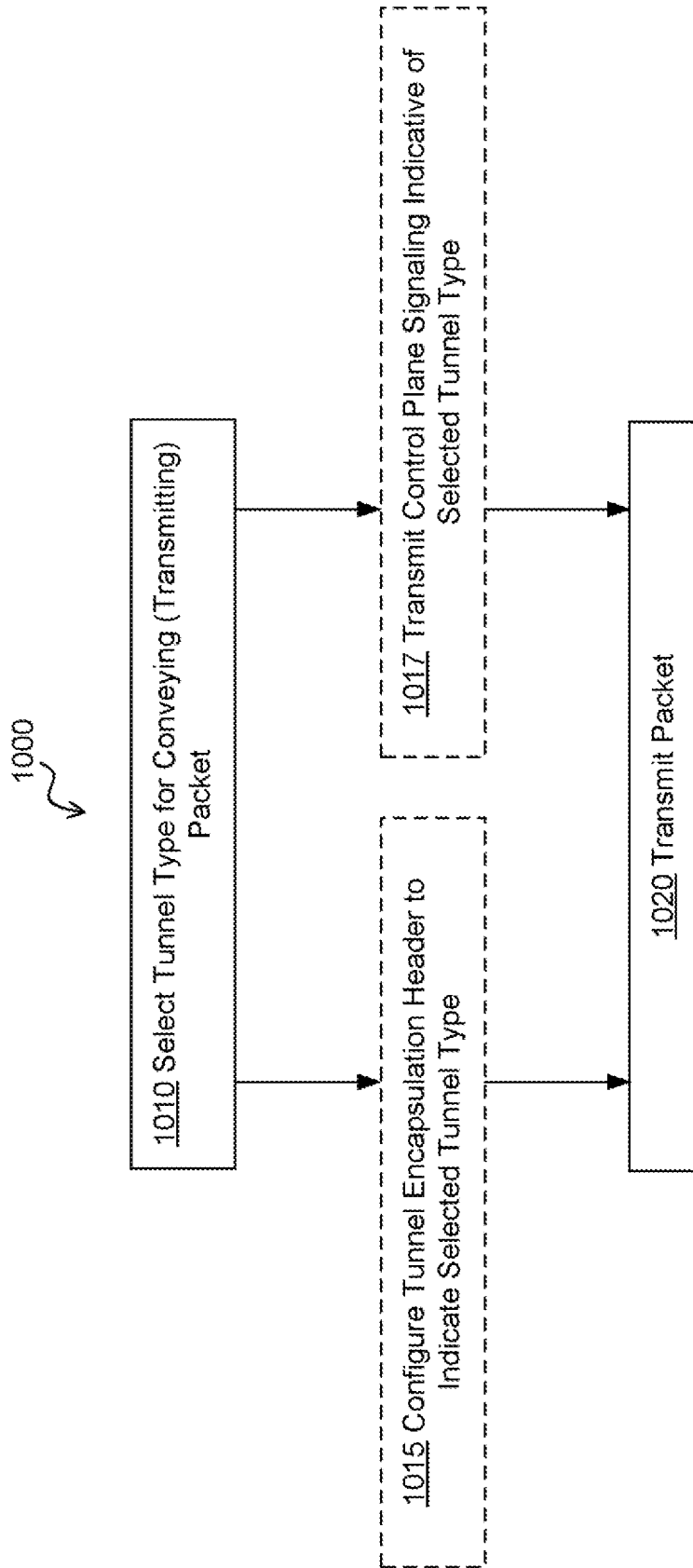


FIG. 10

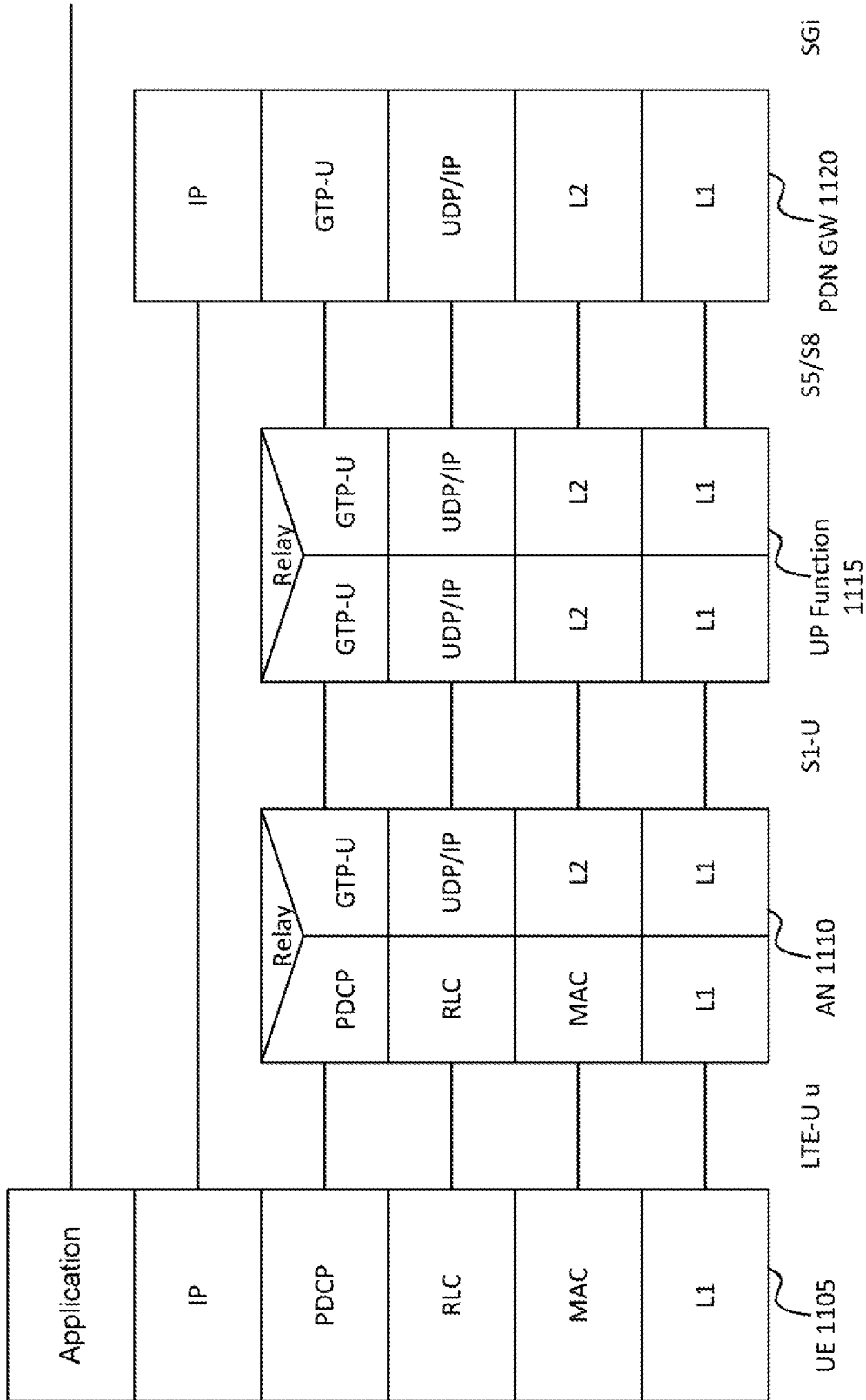


FIG. 11

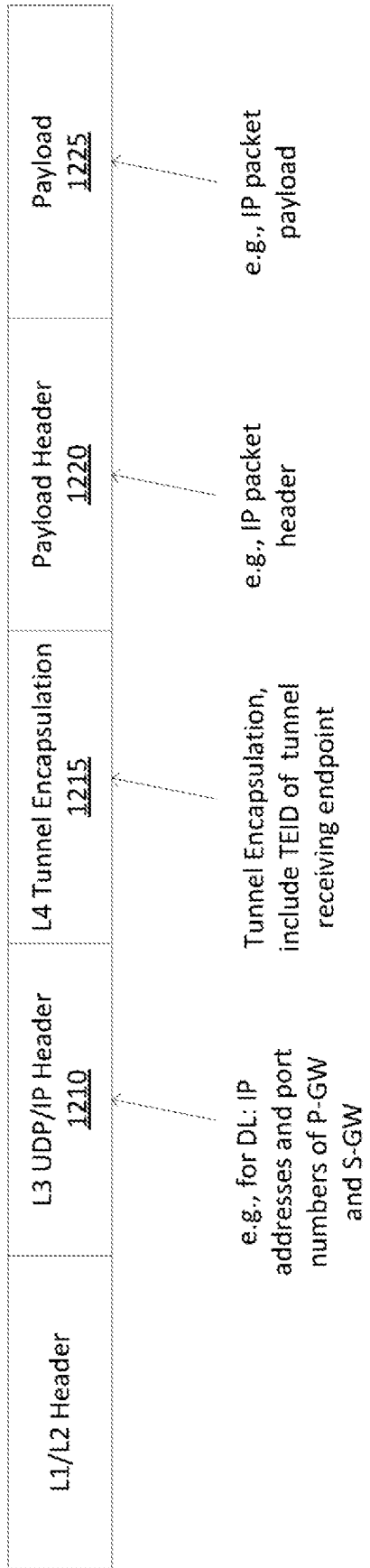


FIG. 12

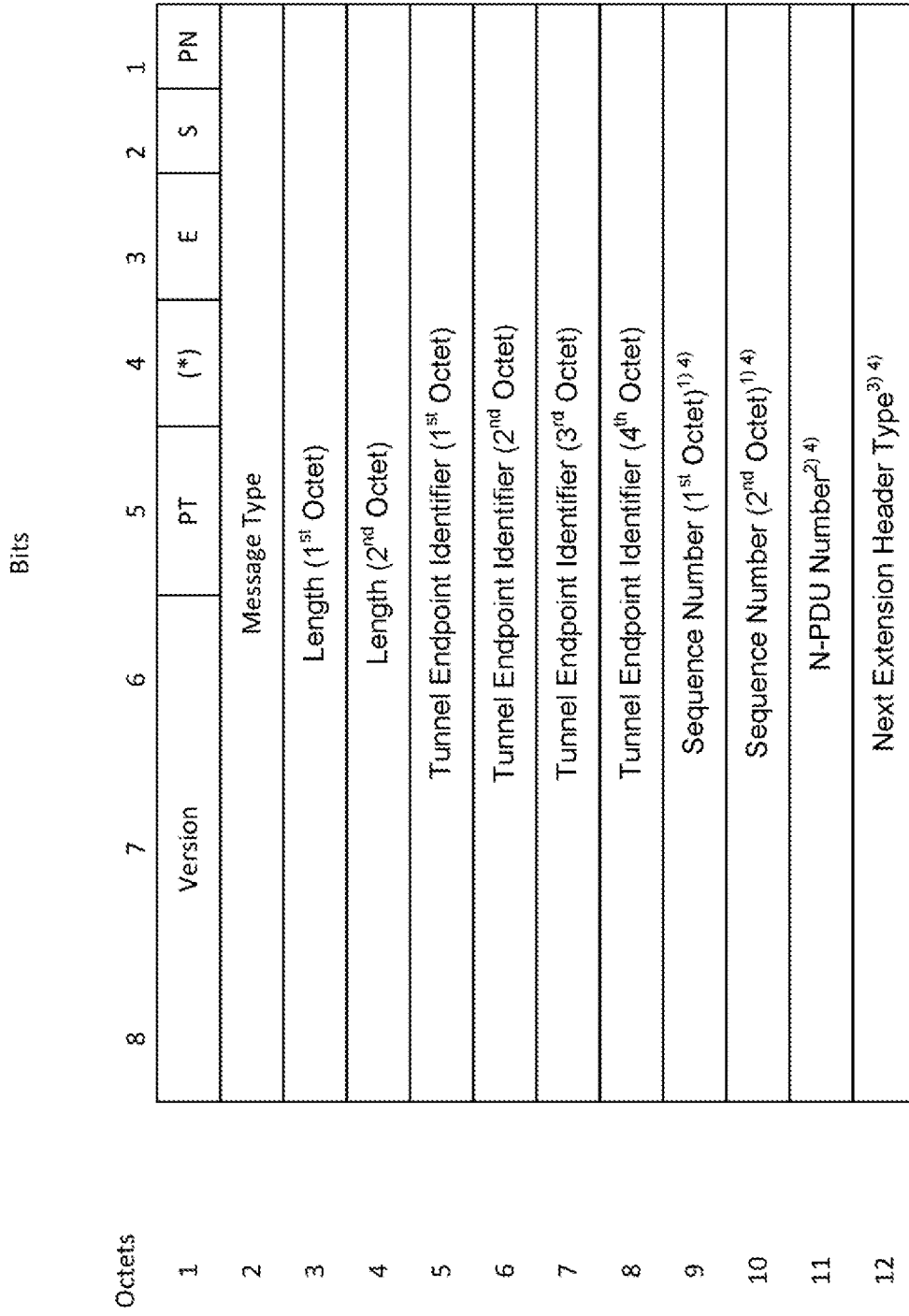


FIG. 13

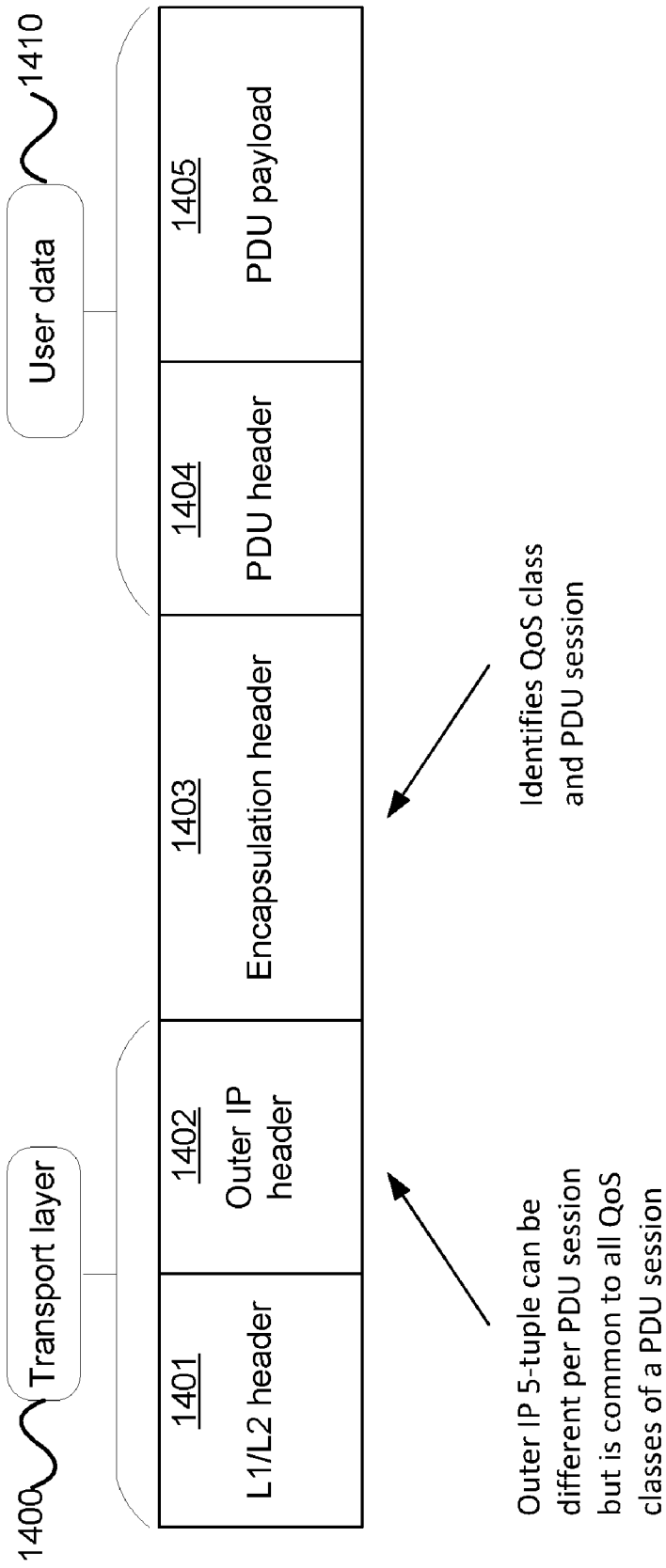


FIG. 14

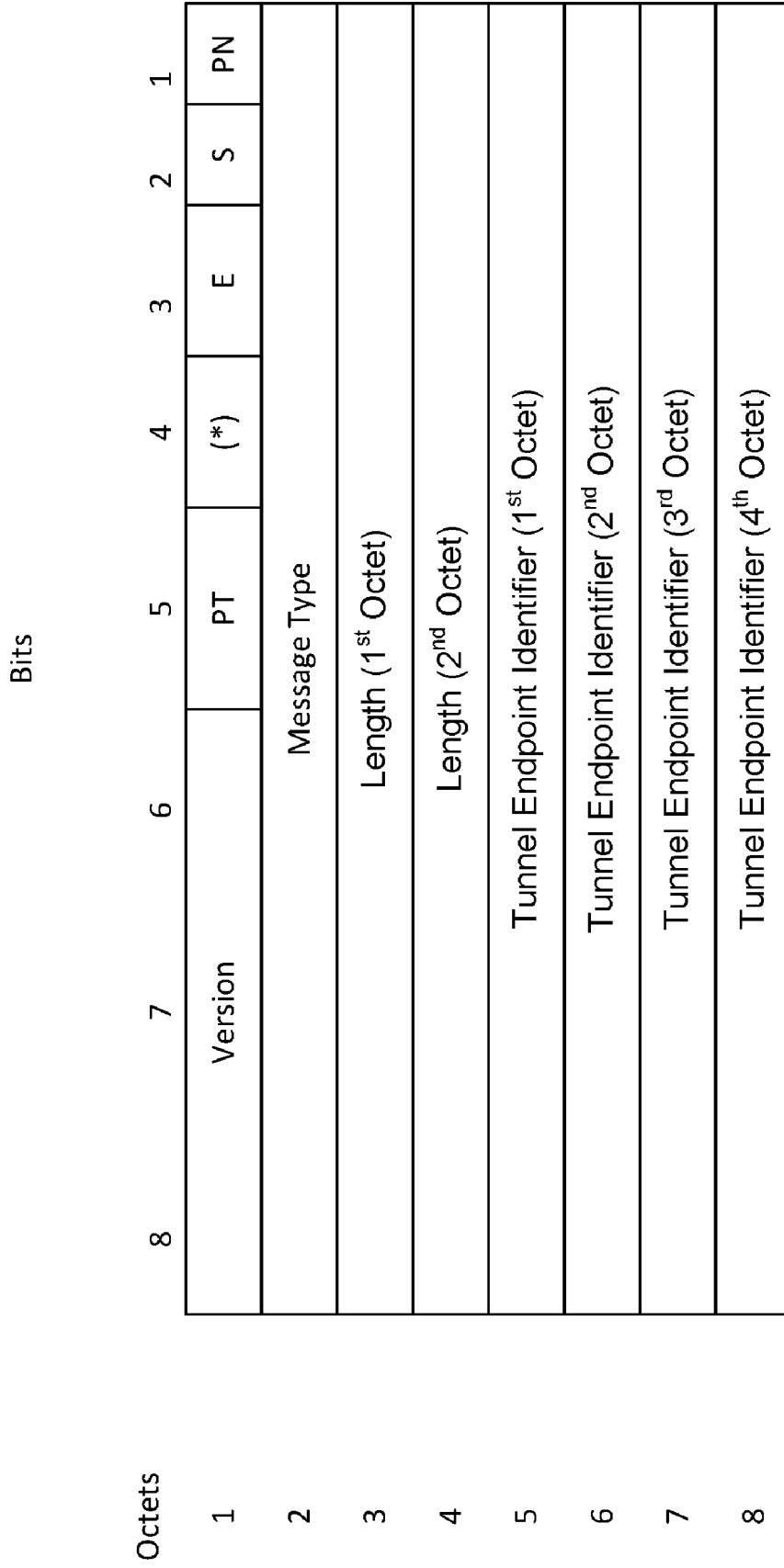


FIG. 15

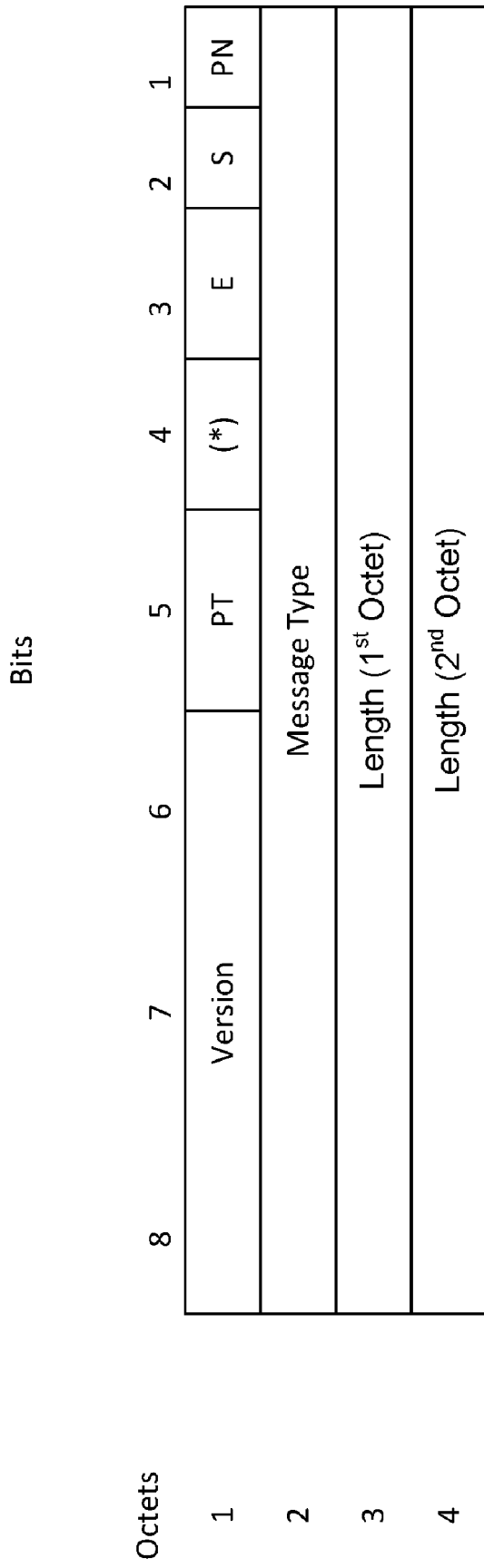


FIG. 16

17/25

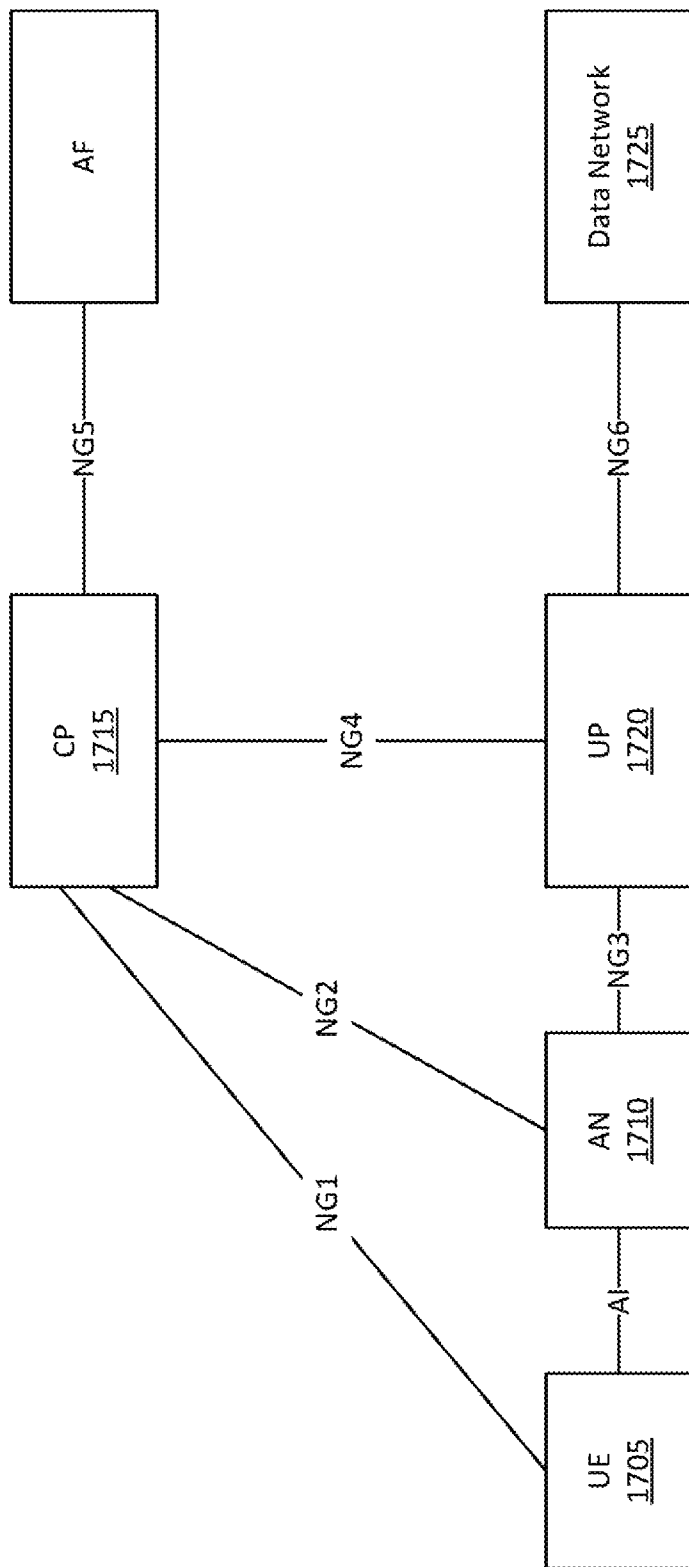


FIG. 17

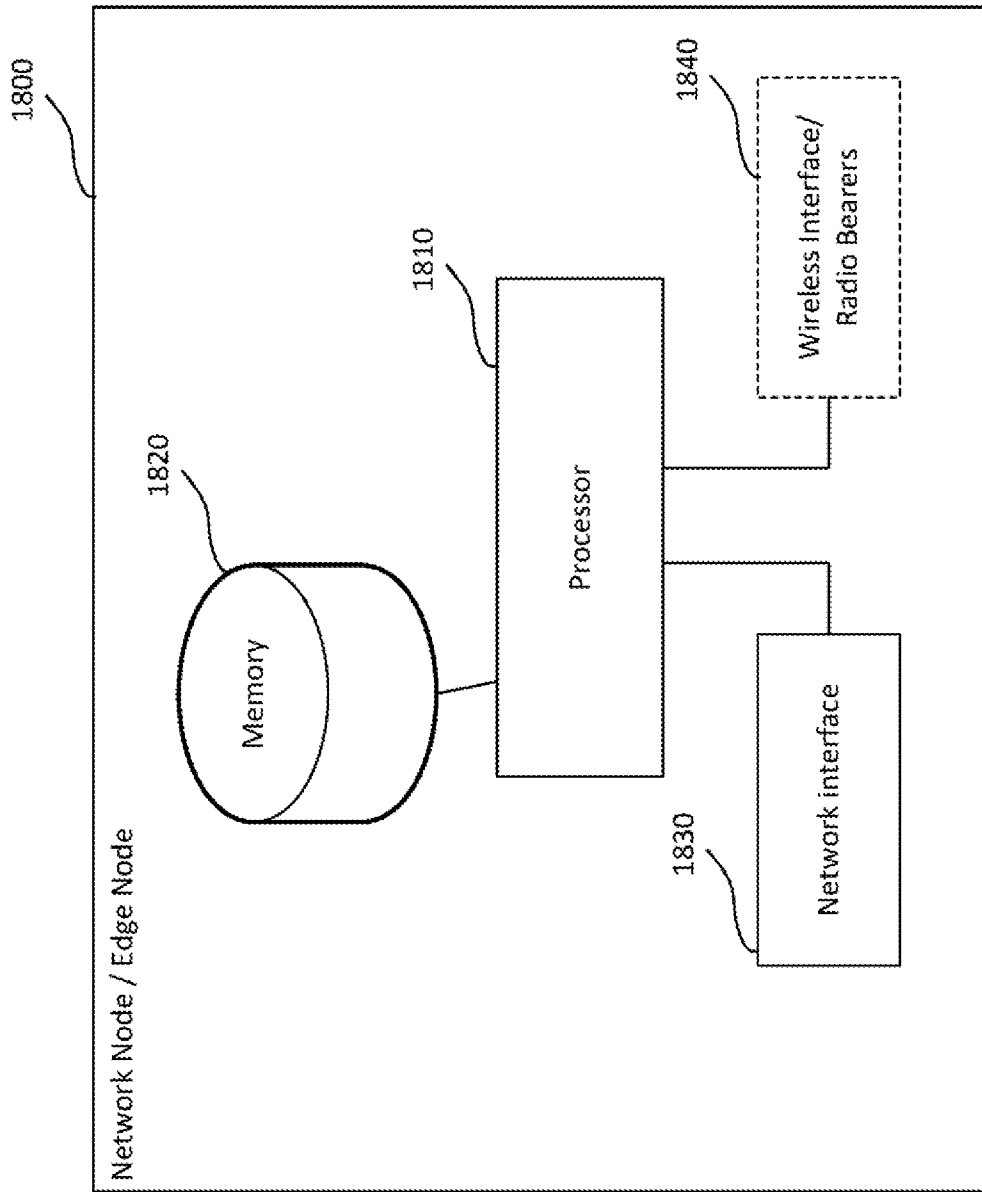


FIG. 18A

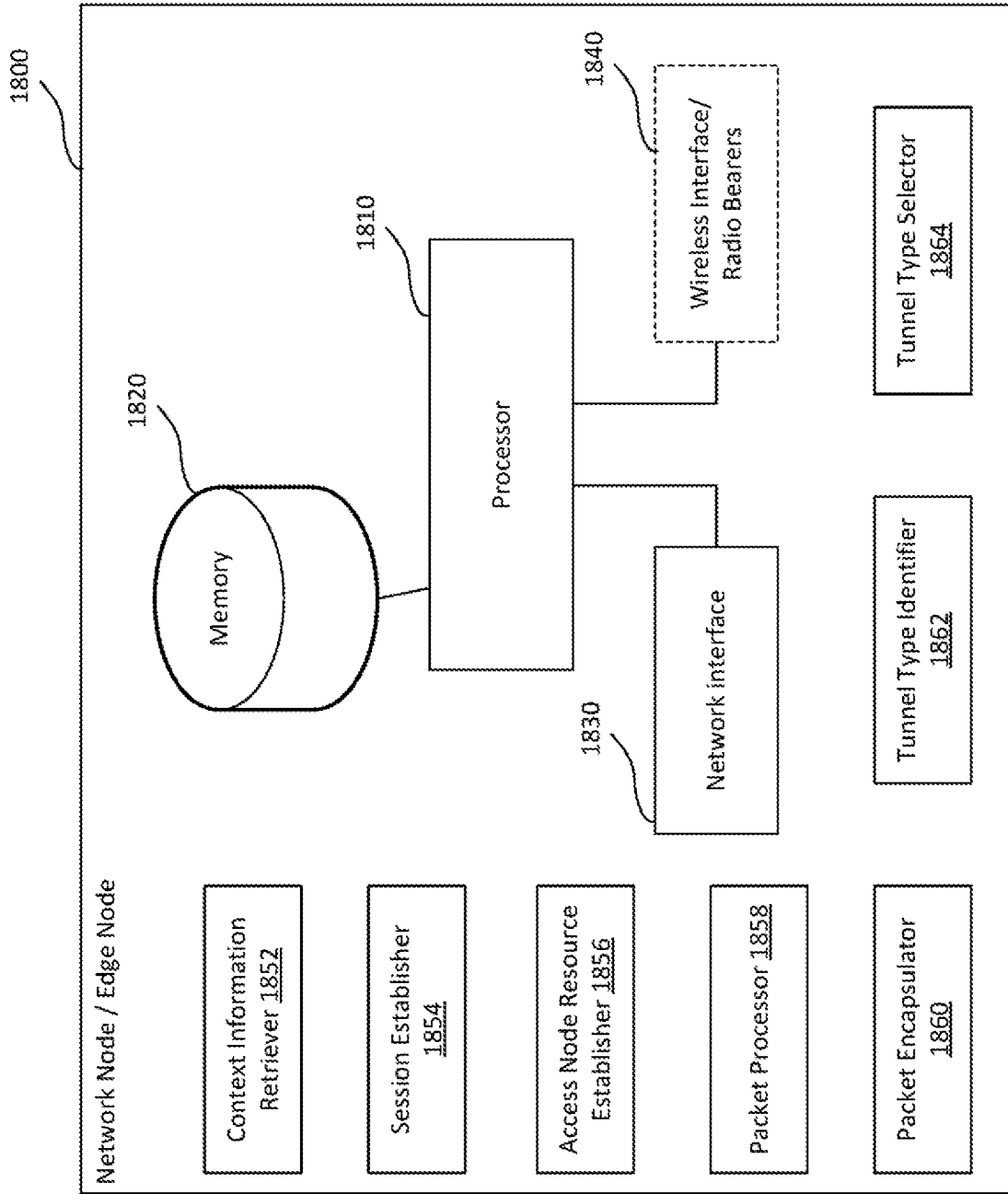


FIG. 18B

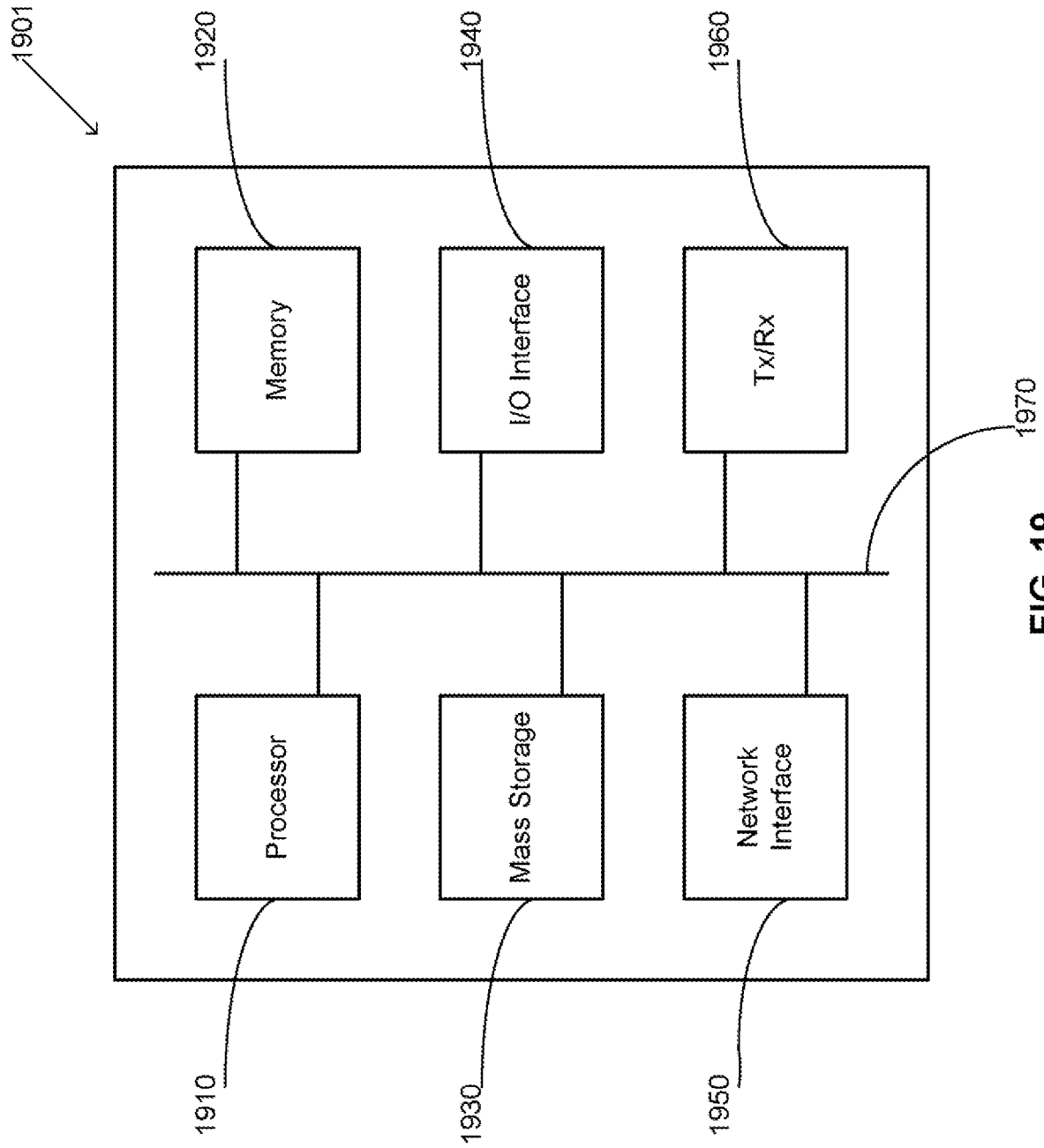


FIG. 19

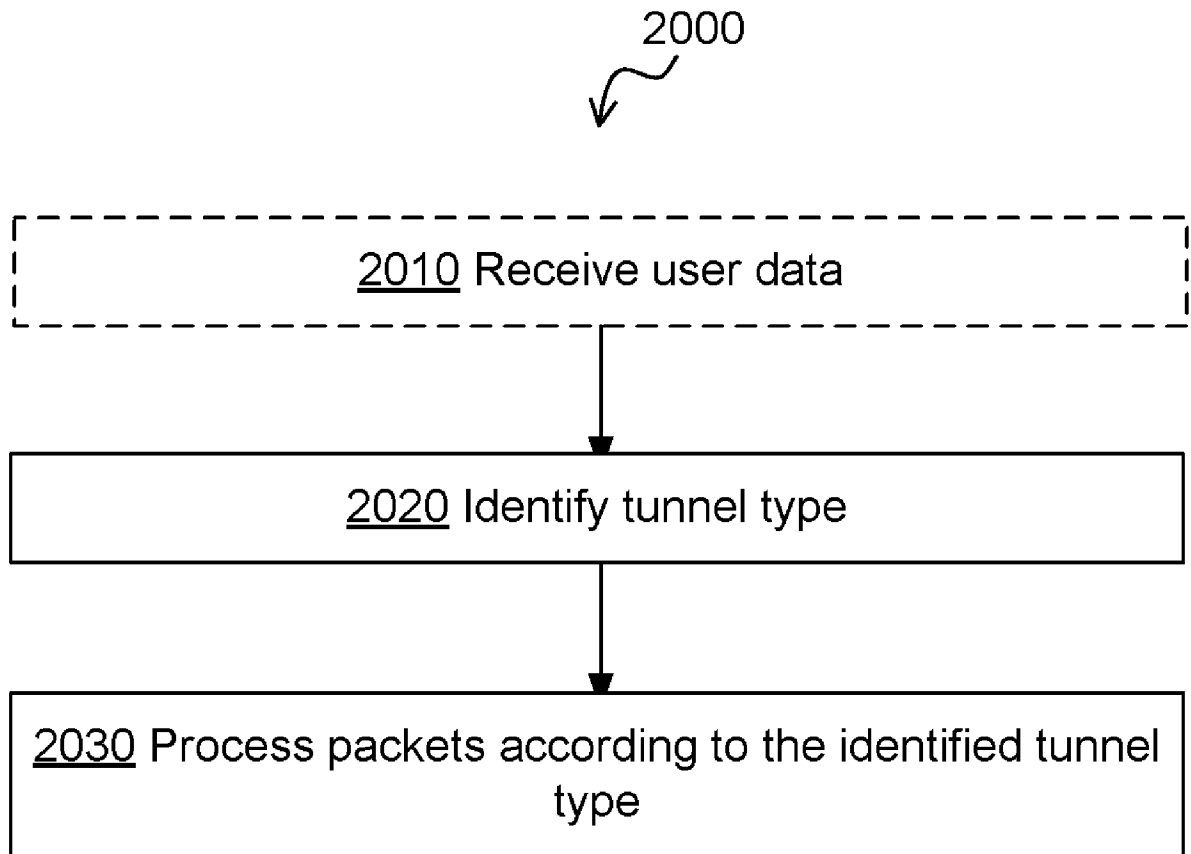


FIG. 20

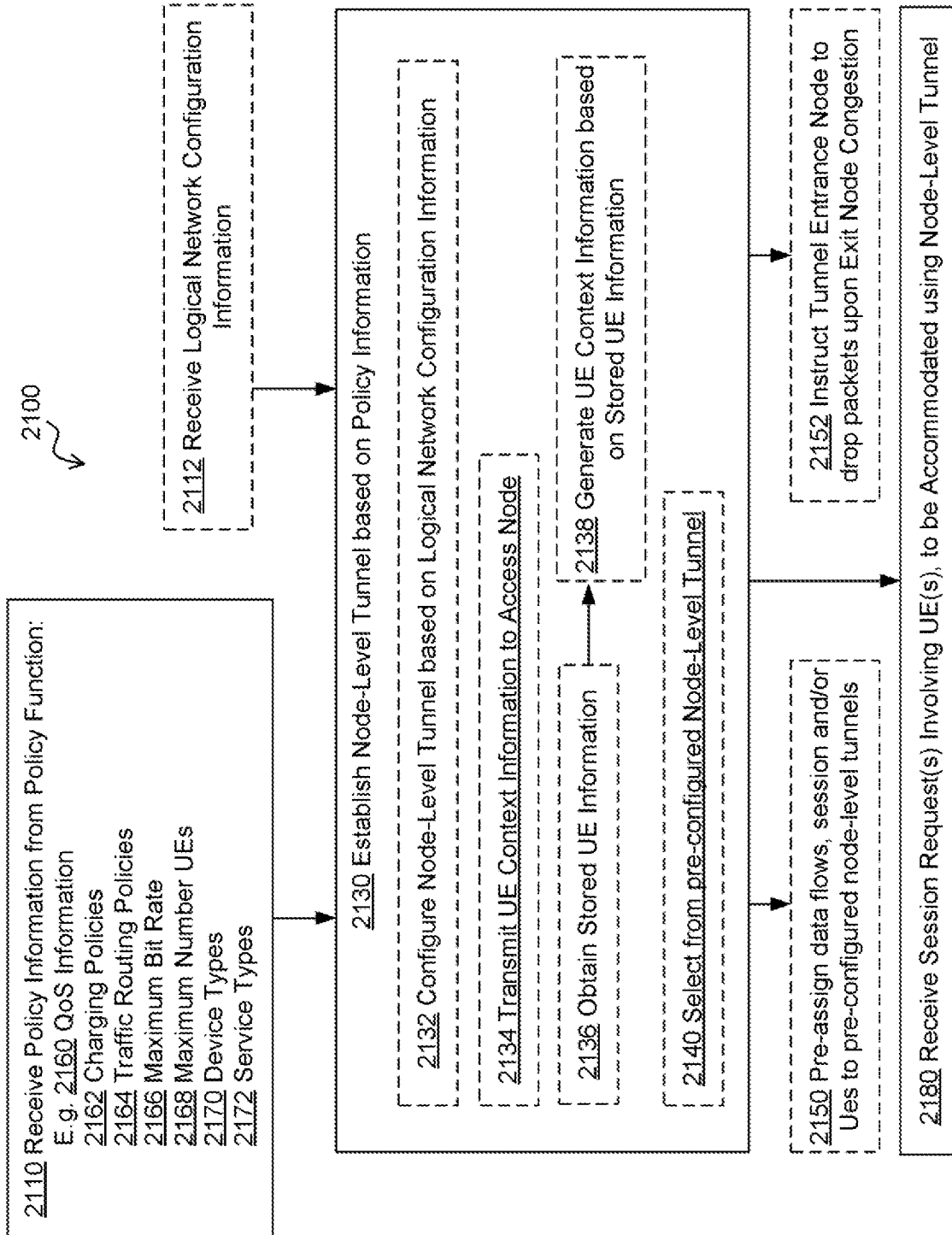


FIG. 21

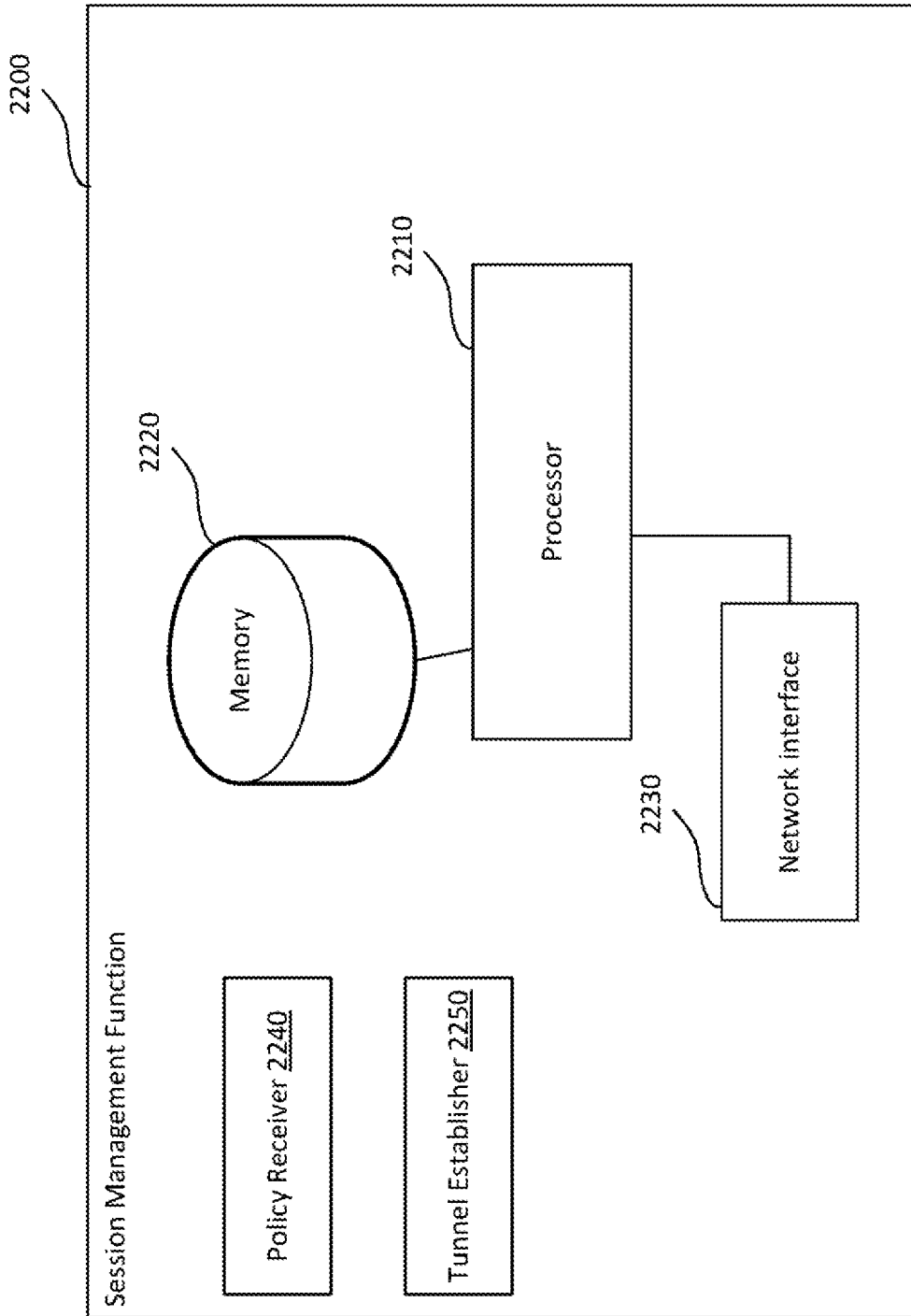
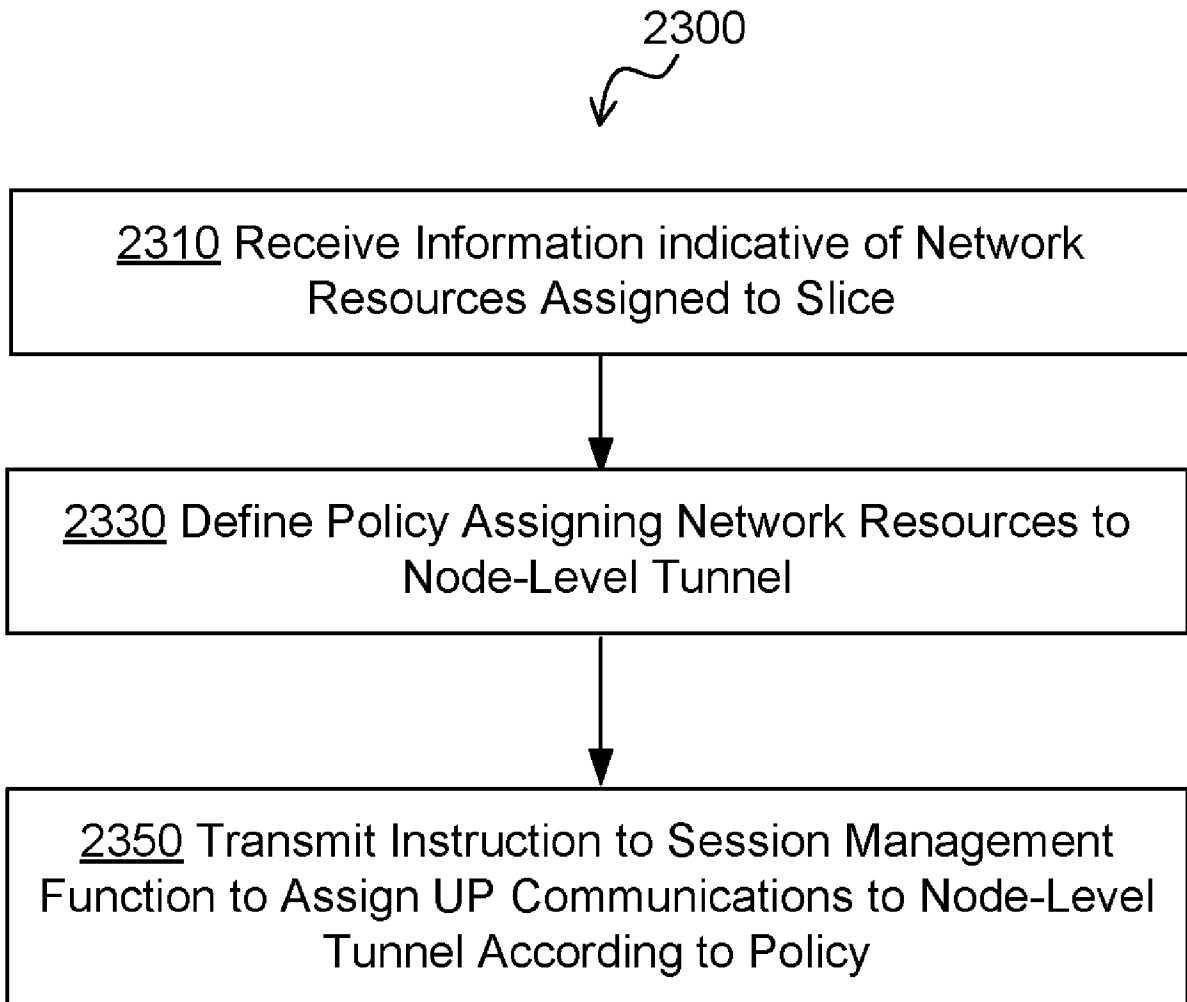


FIG. 22

24/25

**FIG. 23**

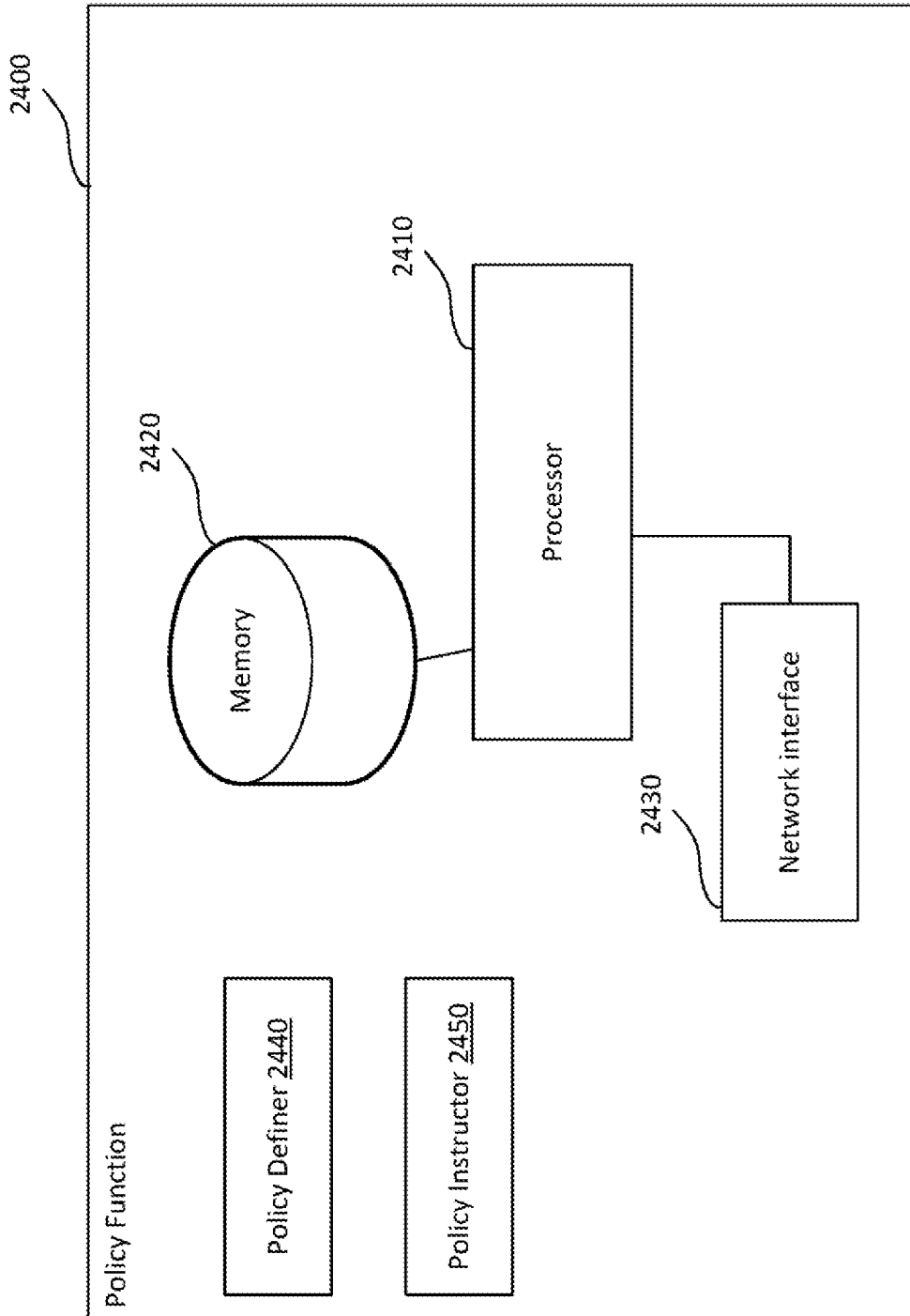


FIG. 24

INTERNATIONAL SEARCH REPORT

International application No.

PCT/CN2017/104082

A. CLASSIFICATION OF SUBJECT MATTER

H04W 76/00(2009.01)i; H04W 28/00(2009.01)i

According to International Patent Classification (IPC) or to both national classification and IPC

B. FIELDS SEARCHED

Minimum documentation searched (classification system followed by classification symbols)

H04W; H04Q; H04L

Documentation searched other than minimum documentation to the extent that such documents are included in the fields searched

Electronic data base consulted during the international search (name of data base and, where practicable, search terms used)

CNPAT, CNKI, WPI, EPODOC, 3GPP: node, level, tunnel, session, management, establish, policy, function

C. DOCUMENTS CONSIDERED TO BE RELEVANT

Category*	Citation of document, with indication, where appropriate, of the relevant passages	Relevant to claim No.
A	3GPP. "Study on Architecture for Next Generation System (Release 14)" 3GPP TR 23.799 V1.0.1, 28 September 2016 (2016-09-28), sections 6.4.1-6.4.3, 6.4.11	1-24
A	CN 103096314 A (ZTE CORPORATION) 08 May 2013 (2013-05-08) the whole document	1-24
A	CN 102695236 A (ZTE CORPORATION) 26 September 2012 (2012-09-26) the whole document	1-24
A	CN 103747502 A (CHINA UNICOM) 23 April 2014 (2014-04-23) the whole document	1-24
A	US 2015381761 A1 (NOKIA SOLUTIONS AND NETWORKS OY) 31 December 2015 (2015-12-31) the whole document	1-24

 Further documents are listed in the continuation of Box C. See patent family annex.

* Special categories of cited documents:

"A" document defining the general state of the art which is not considered to be of particular relevance

"E" earlier application or patent but published on or after the international filing date

"L" document which may throw doubts on priority claim(s) or which is cited to establish the publication date of another citation or other special reason (as specified)

"O" document referring to an oral disclosure, use, exhibition or other means

"P" document published prior to the international filing date but later than the priority date claimed

"T" later document published after the international filing date or priority date and not in conflict with the application but cited to understand the principle or theory underlying the invention

"X" document of particular relevance; the claimed invention cannot be considered novel or cannot be considered to involve an inventive step when the document is taken alone

"Y" document of particular relevance; the claimed invention cannot be considered to involve an inventive step when the document is combined with one or more other such documents, such combination being obvious to a person skilled in the art

"&" document member of the same patent family

Date of the actual completion of the international search

20 November 2017

Date of mailing of the international search report

28 December 2017

Name and mailing address of the ISA/CN

STATE INTELLECTUAL PROPERTY OFFICE OF THE
P.R.CHINA
6, Xitucheng Rd., Jimen Bridge, Haidian District, Beijing
100088
China

Authorized officer

FENG, Ji

Facsimile No. (86-10)62019451

Telephone No. (86-10)62413298

INTERNATIONAL SEARCH REPORT
Information on patent family members

International application No.

PCT/CN2017/104082

Patent document cited in search report			Publication date (day/month/year)	Patent family member(s)			Publication date (day/month/year)
CN	103096314	A	08 May 2013	WO	2013064070	A1	10 May 2013
CN	102695236	A	26 September 2012	WO	2012126291	A1	27 September 2012
CN	103747502	A	23 April 2014	None			
US	2015381761	A1	31 December 2015	EP	2974411	A1	20 January 2016
				WO	2014139553	A1	18 September 2014