



US0D1034098S

(12) **United States Design Patent**
Cui

(10) **Patent No.:** **US D1,034,098 S**

(45) **Date of Patent:** **** Jul. 9, 2024**

(54) **COASTER**

(71) Applicant: **Jiangmen City Pengjiang District
Jiushang Trading Co., Ltd., Jiangmen
(CN)**

(72) Inventor: **Yong Cui, Jiangmen (CN)**

(**) Term: **15 Years**

(21) Appl. No.: **29/862,710**

(22) Filed: **Dec. 12, 2022**

(51) **LOC (14) Cl.** **07-06**

(52) **U.S. Cl.**

USPC **D7/624.1**

(58) **Field of Classification Search**

USPC D7/601, 619.1, 619.2, 622, 623, 624.1;
D9/455

CPC A47G 23/02; A47G 23/0208; A47G
23/0216; A47G 23/0225; A47G 23/0233;
A47G 23/0241; A47G 23/0266; A47G
2023/0275; A47G 2023/0283; A47G
2023/0291; A47G 23/03; A47G 23/0303;
A47G 23/0306; A47G 23/0309; A47G
23/0313; A47G 23/0316; A47G 23/032

See application file for complete search history.

(56) **References Cited**

U.S. PATENT DOCUMENTS

3,606,074 A * 9/1971 Hayes B65D 43/0222
215/393
D317,697 S * 6/1991 Lage D7/392.1
D391,119 S * 2/1998 Rapaz D7/601
D505,595 S * 5/2005 Kujawski D7/619.1
D760,550 S * 7/2016 Haytayan D7/624.1
D772,019 S * 11/2016 Williams D7/624.1
D776,536 S * 1/2017 Emoff D9/455
D876,174 S * 2/2020 Kise D7/624.1

(Continued)

FOREIGN PATENT DOCUMENTS

EM 015005871-0001 * 12/2022

OTHER PUBLICATIONS

19th C Mahogany Decanter Coaster, first available 1850, Mytton Antiques, [online], [site visited Apr. 1, 2024], Available from internet URL: <https://www.myttonantiques.co.uk/antiques-miscellaneous/19th-c-mahogany-decanter-coaster-9-3847.html> (Year: 1850).*

(Continued)

Primary Examiner — Catherine Ho

Assistant Examiner — Natalya M Rapundalo

(74) *Attorney, Agent, or Firm* — Daniel M. Cohn;
Howard M. Cohn

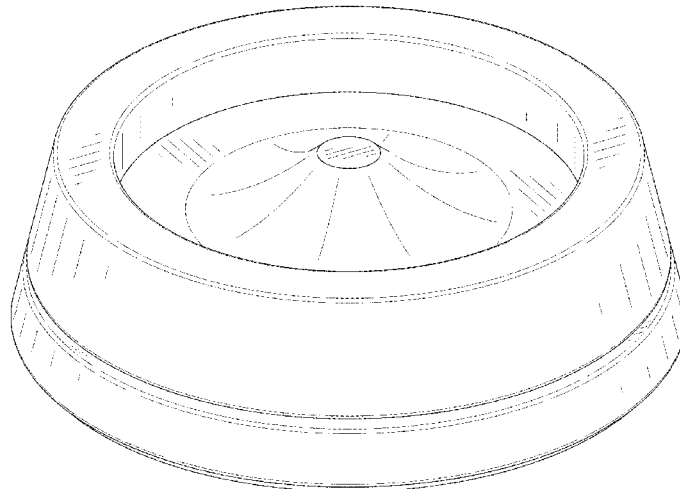
(57) **CLAIM**

The ornamental design for a coaster, as shown and described.

DESCRIPTION

FIG. 1 is a top perspective view of a coaster showing my new design;
FIG. 2 is a bottom perspective view thereof;
FIG. 3 is a front elevational view thereof;
FIG. 4 is a rear elevational view thereof;
FIG. 5 is a left side elevational view thereof;
FIG. 6 is a right side elevational view thereof;
FIG. 7 is a top plan view thereof;
FIG. 8 is a bottom plan view thereof;
FIG. 9 is a perspective view of the coaster where the coaster is in a configuration of use; and,
FIG. 10 is an enlarged view of portion 10 shown in FIG. 3. The dash-dash broken lines in FIG. 9 show environment and form no part of the claimed design. All other dash-dash broken lines show portions of the coaster that form no part of the claimed design. The dot-dash broken lines show the border of the enlarged portions and form no part of the claimed design.

1 Claim, 10 Drawing Sheets



(56)

References Cited

U.S. PATENT DOCUMENTS

D915,213 S * 4/2021 Ota D9/548
D922,832 S * 6/2021 Vickroy D7/624.2
11,071,401 B1 * 7/2021 Krueger A47G 23/0316
D977,917 S * 2/2023 Guo D7/619.1
D1,007,250 S * 12/2023 Nie D7/624.1
2003/0094387 A1 * 5/2003 Coppola B65D 23/12
2004/0114352 A1 * 6/2004 Jensen A47G 23/0309
362/253

OTHER PUBLICATIONS

Football Whiskey Decanter Set with 2 Glasses, first available Sep. 4, 2023, Amazon, [online], [site visited Apr. 1, 2024], Available from internet URL: <https://www.amazon.com/Football-Decanter-Wine-Things-Christmas/dp/B0CH85F2CB> (Year: 2023).*

Reproduction Silver Plate Art Deco Style Decanter Coaster, Amazon, [online], [site visited Apr. 1, 2024], Available from internet URL: <https://antiquesilverlondon.com/reproduction-silver/347-art-deco-style-silver-plated-decanter-coaster.html> (Year: 2024).*

* cited by examiner

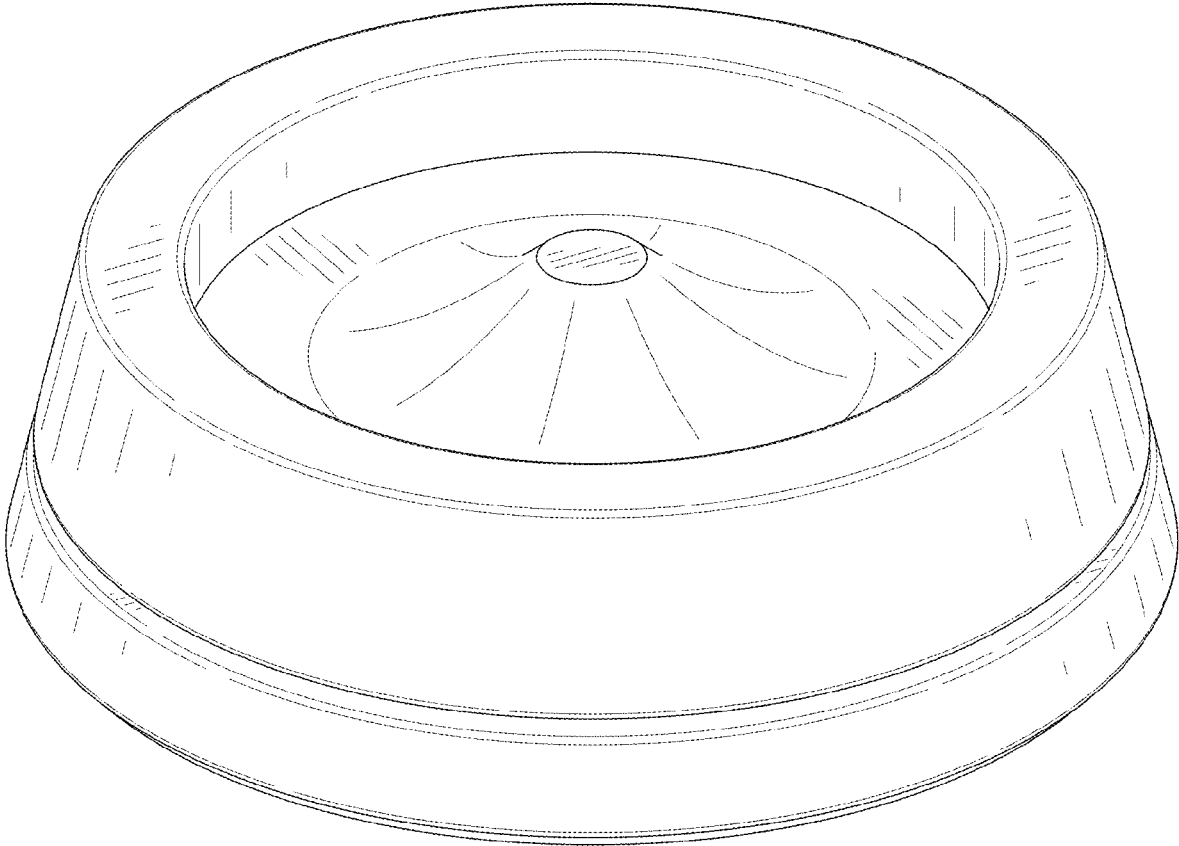


FIG. 1

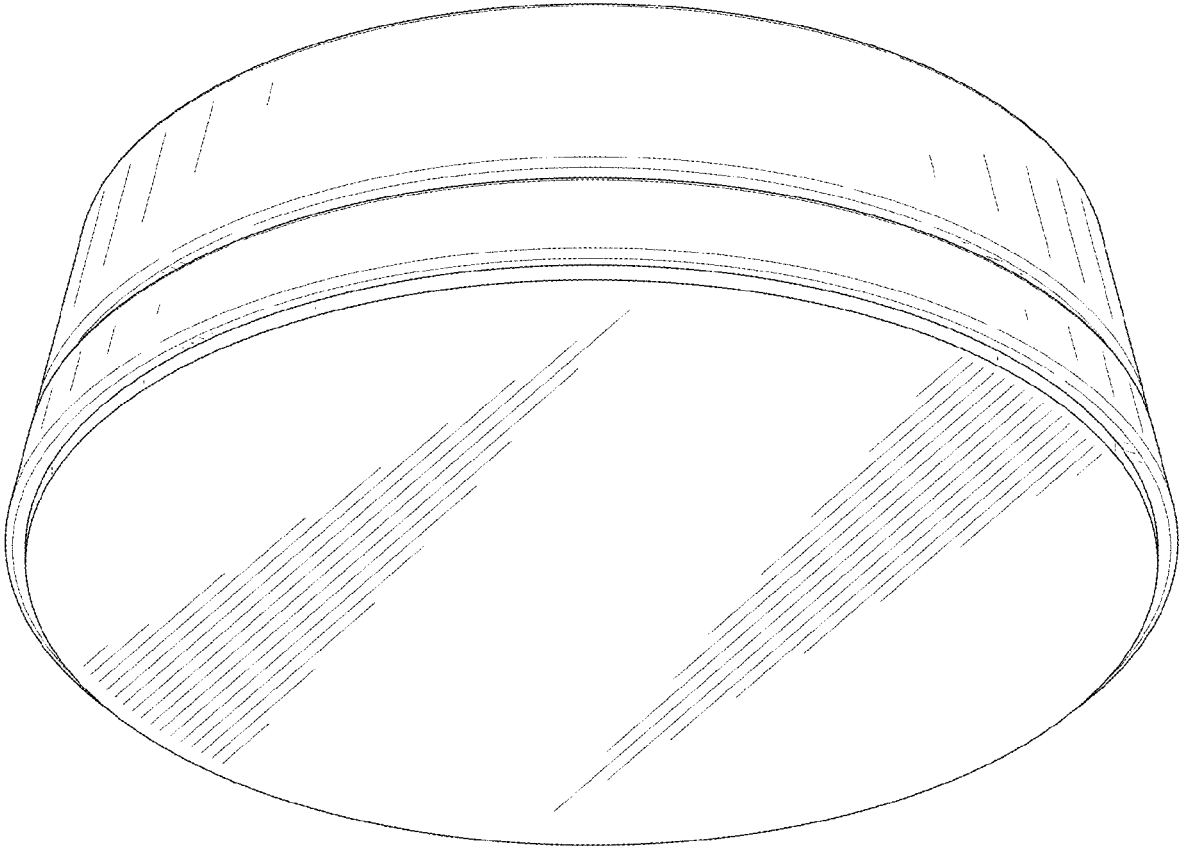


FIG. 2

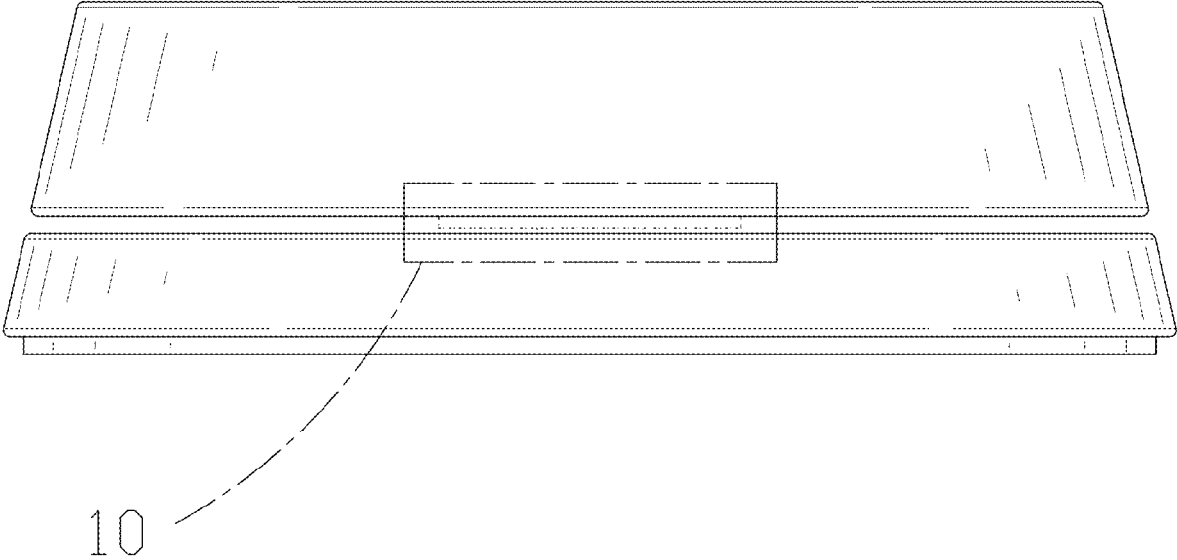


FIG. 3

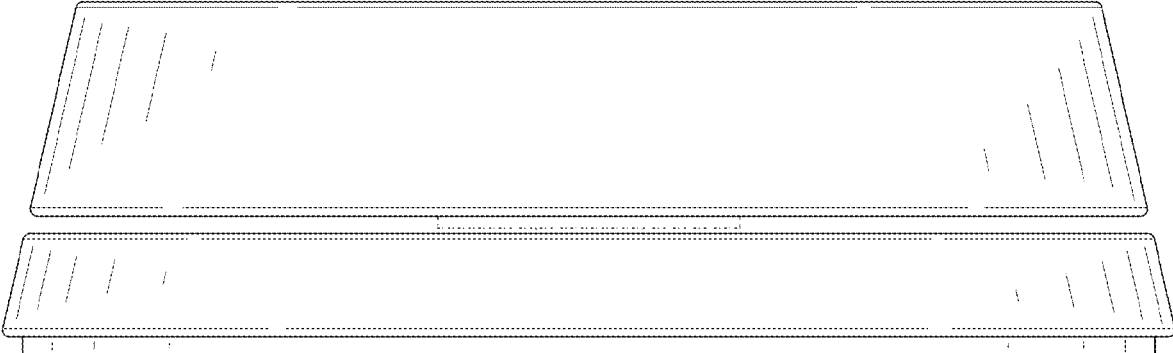


FIG. 4

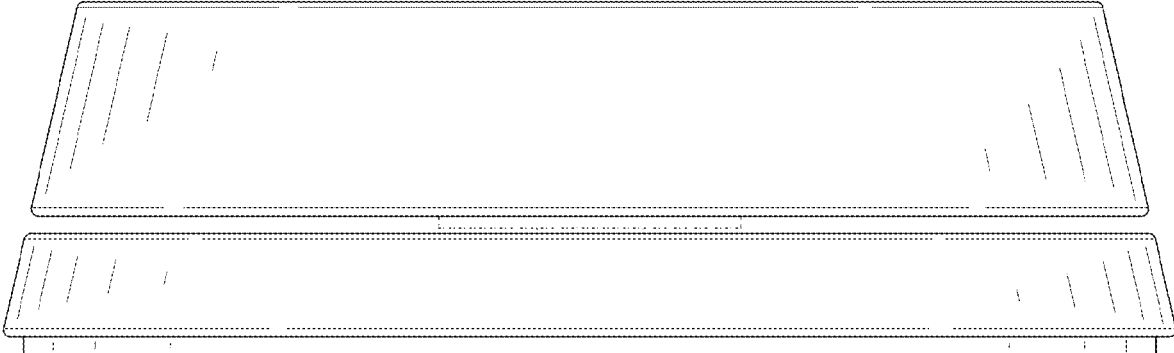


FIG. 5

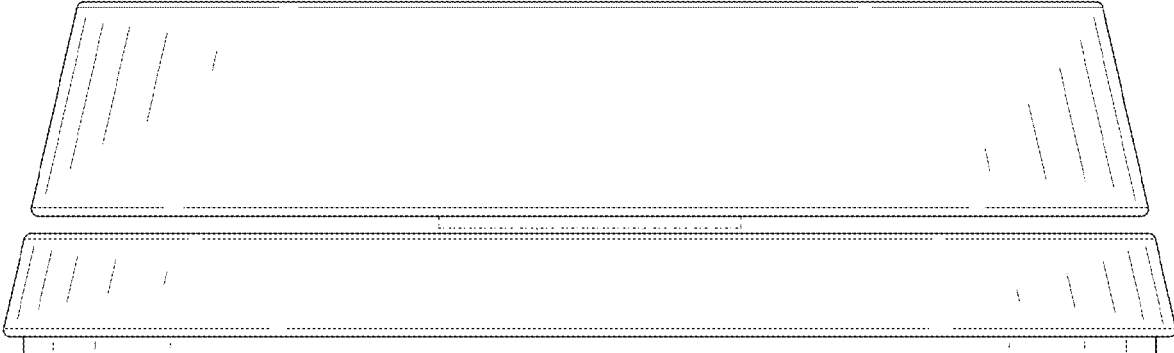


FIG. 6

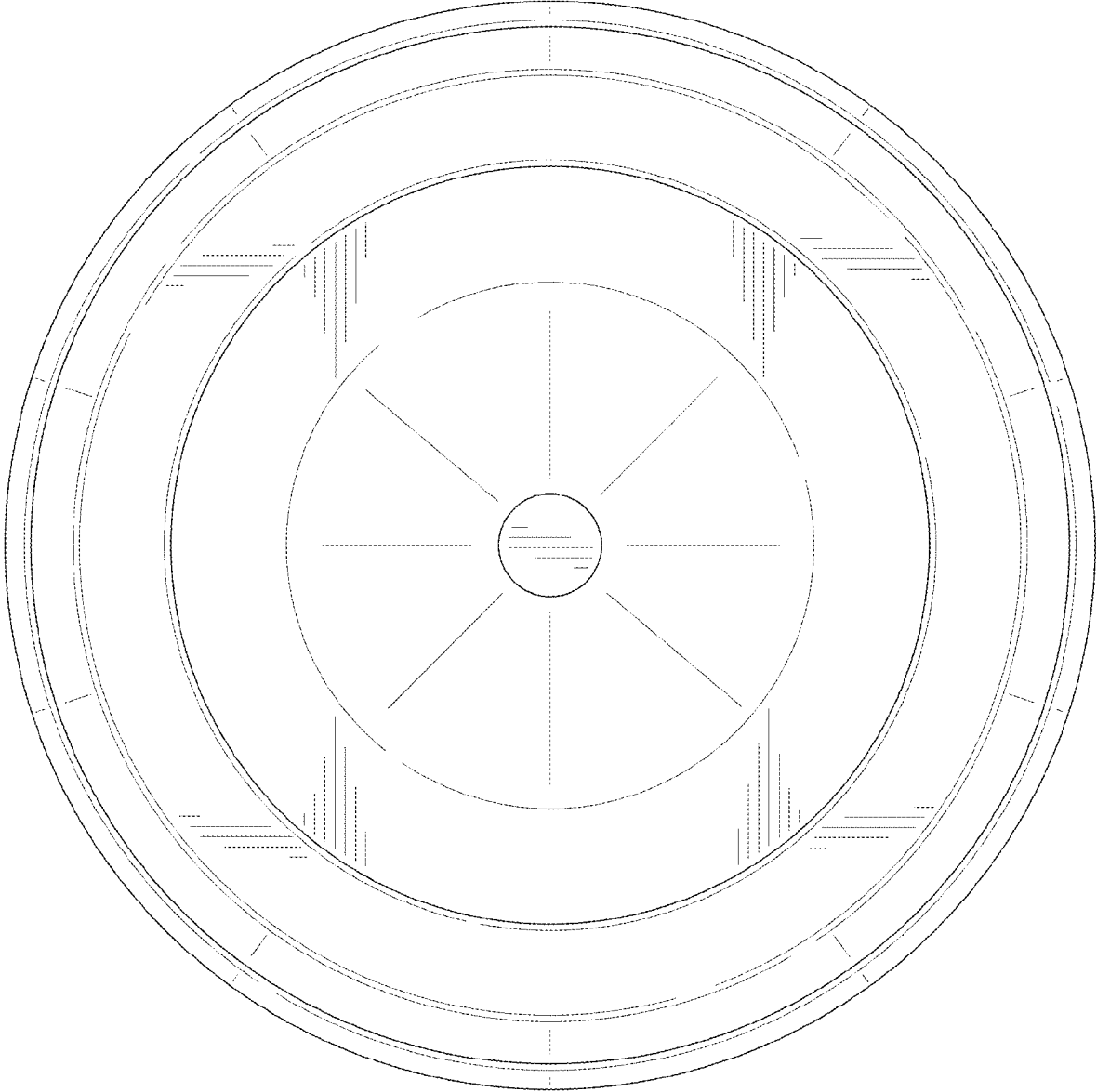


FIG. 7

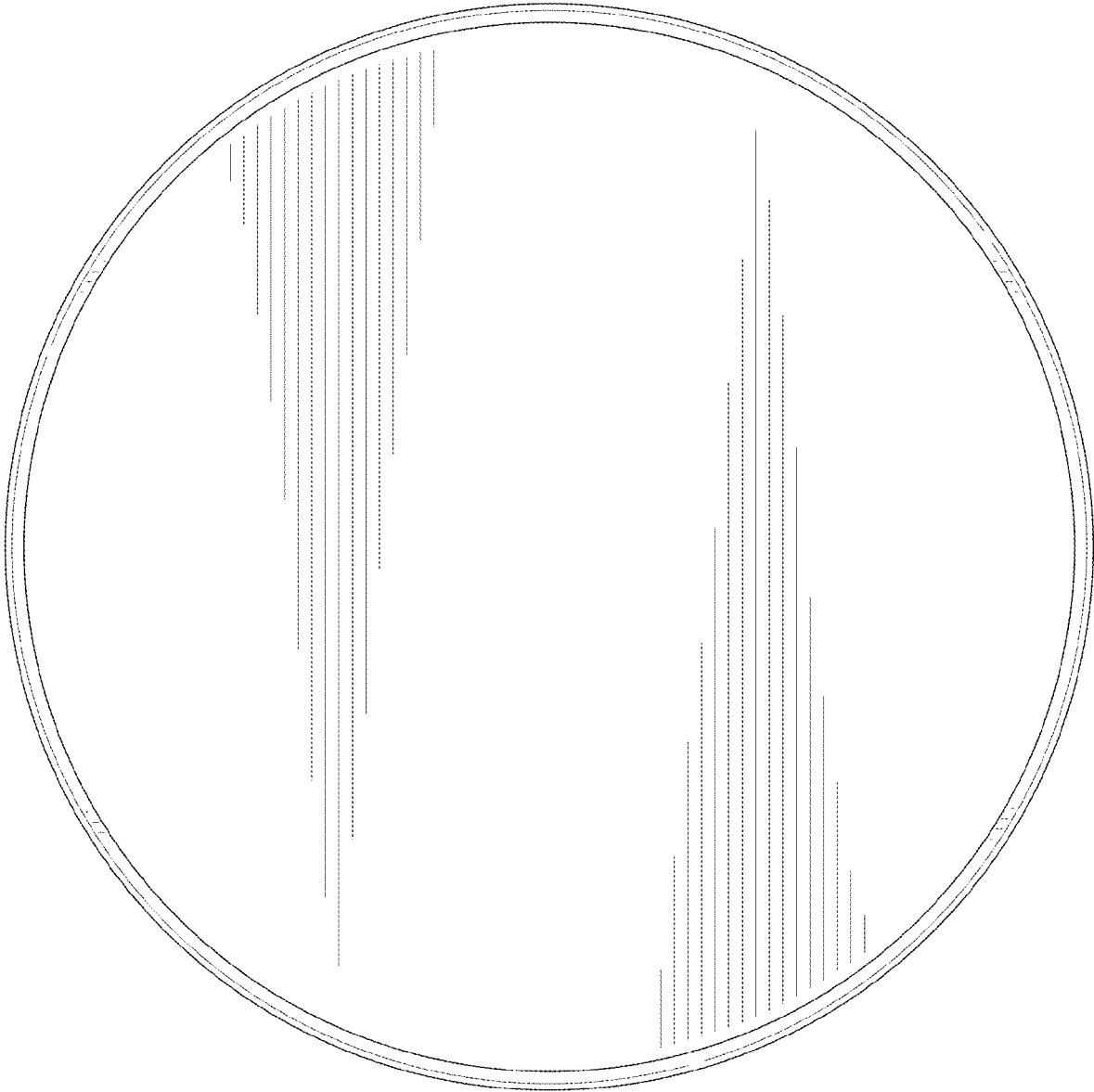


FIG. 8

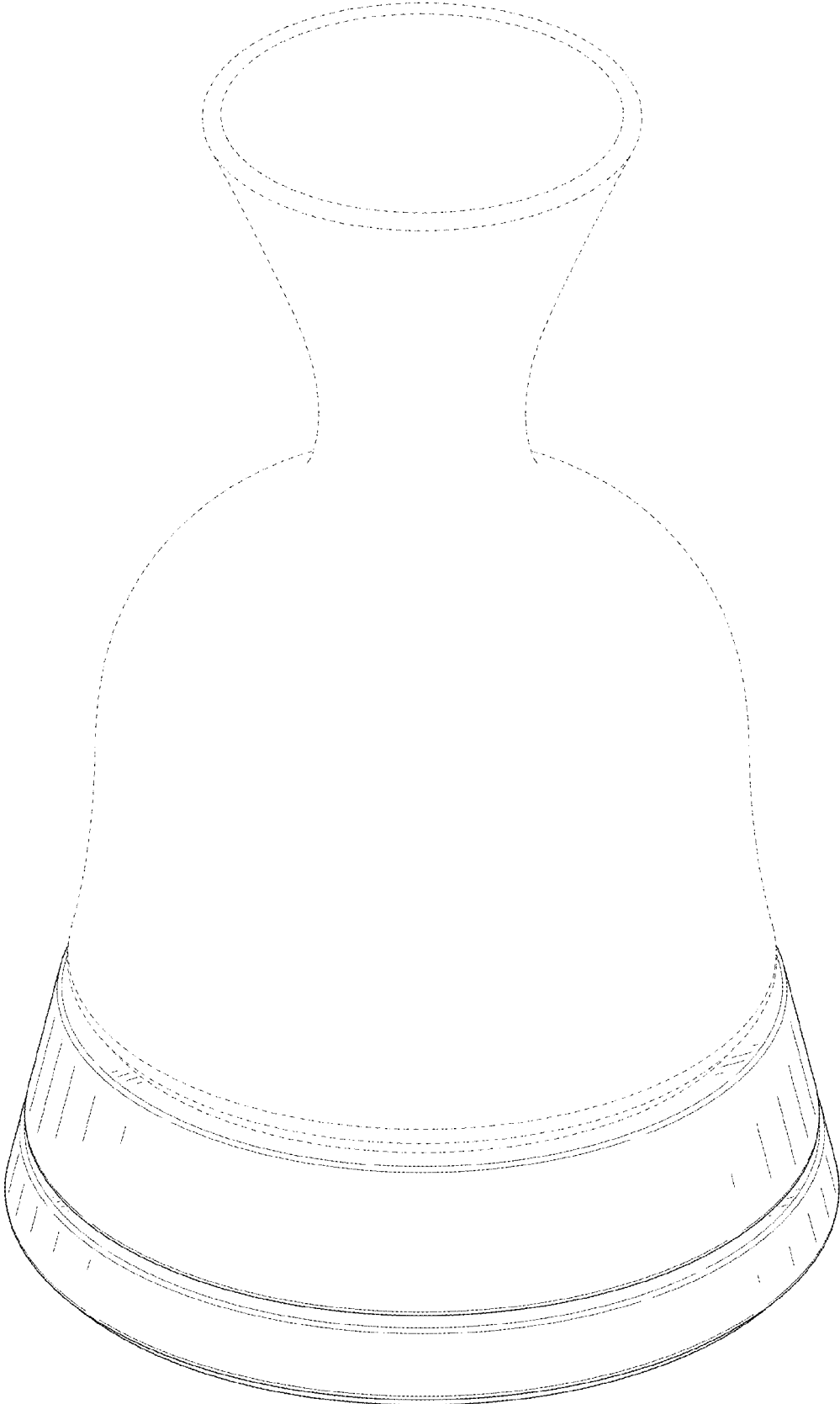


FIG. 9

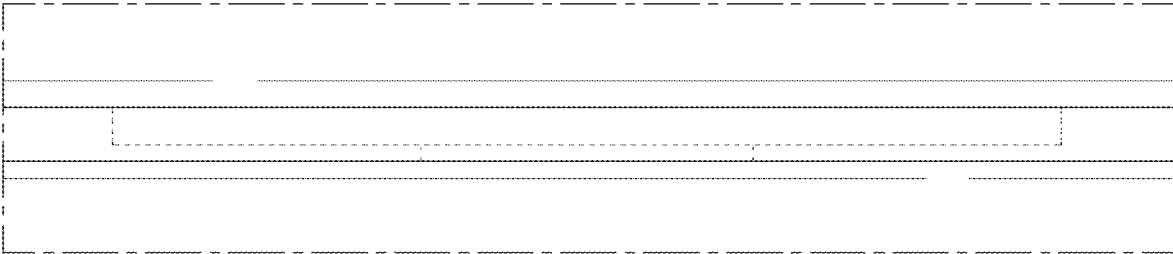


FIG. 10