



(12) **United States Design Patent**
Hayner et al.

(10) **Patent No.:** **US D990,628 S**
(45) **Date of Patent:** **** Jun. 27, 2023**

- (54) **FAUCET**
- (71) Applicant: **Kohler Co.**, Kohler, WI (US)
- (72) Inventors: **Tory L. Hayner**, Howards Grove, WI (US); **Gregory de Swarte**, Sheboygan, WI (US); **Drew Johnson**, Sheboygan, WI (US)
- (73) Assignee: **Kohler Co.**, Kohler, WI (US)
- (**) Term: **15 Years**
- (21) Appl. No.: **29/865,592**
- (22) Filed: **Aug. 2, 2022**

- D102,444 S 12/1936 Petty
- D102,942 S 1/1937 Covert
- D110,034 S 6/1938 Reynolds
- D118,357 S 12/1939 Wechsler
- 3,185,034 A 5/1965 Youngblood, Jr.
(Continued)

OTHER PUBLICATIONS

[HTTPS://www.amazon.com/Kohler-K-24982-VS-Kitchen-Vibrant-Stainless/dp/B07MTFLKDW/ref](https://www.amazon.com/Kohler-K-24982-VS-Kitchen-Vibrant-Stainless/dp/B07MTFLKDW/ref) (Year: 2019).
(Continued)

Primary Examiner — Robert A Delehanty
(74) *Attorney, Agent, or Firm* — Patterson Thuent, P.A.

(57) **CLAIM**

We claim the ornamental design for a faucet, as shown and described.

DESCRIPTION

FIG. 1 is a perspective view of the claimed design;
FIG. 2 is a side view of the claimed design shown in FIG. 1;
FIG. 3 is another side view of the claimed design shown in FIG. 1;
FIG. 4 is a front view of the claimed design shown in FIG. 1;
FIG. 5 is a rear view of the claimed design shown in FIG. 1;
FIG. 6 is a top view of the claimed design shown in FIG. 1; and,
FIG. 7 is a bottom view of the claimed design shown in FIG. 1.

The ornamental design which is claimed is shown in solid lines in the drawings. The broken lines in the drawings are for illustrative purposes only and form no part of the claimed design. Broken lines formed of unequal length dashes (i.e., dash-dot) define bounds of the claimed design.

1 Claim, 5 Drawing Sheets

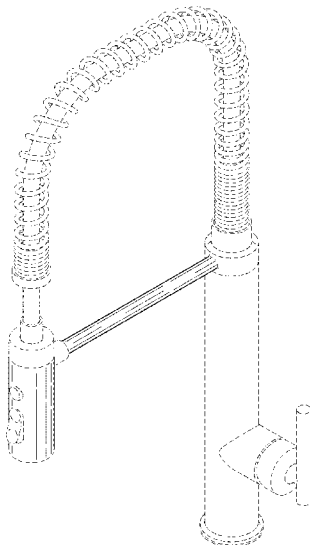
Related U.S. Application Data

- (60) Continuation of application No. 29/835,074, filed on Apr. 15, 2022, which is a division of application No. 29/701,795, filed on Aug. 14, 2019, now Pat. No. Des. 960,298, which is a division of application No. 29/666,112, filed on Oct. 10, 2018, now Pat. No. Des. 863,506.
- (51) **LOC (14) Cl.** **23-01**
- (52) **U.S. Cl.**
USPC **D23/255**
- (58) **Field of Classification Search**
USPC D23/238–243, 249, 255, 257, 250, 252, D23/254, 213, 223, 226; D8/307–308
CPC E03C 1/0412
See application file for complete search history.

(56) **References Cited**

U.S. PATENT DOCUMENTS

- D12,819 S 3/1882 Dobbin
- D12,832 S 3/1882 Rosenfeld
- D18,933 S 2/1889 Harley
- D28,305 S 2/1898 Thomas
- D87,343 S 7/1932 Hamilton
- D92,521 S 6/1934 Cassedy



(56)

References Cited

U.S. PATENT DOCUMENTS

4,437,103 A 3/1984 Ikeda
 D303,930 S 10/1989 Durand
 D319,294 S 8/1991 Kohler et al.
 D420,726 S 2/2000 Slothower et al.
 D428,965 S 8/2000 Slothower
 D481,445 S 10/2003 Haug et al.
 D497,295 S 10/2004 McKnight
 D534,990 S 1/2007 Zhou
 D557,380 S 12/2007 Shieh
 D564,634 S 3/2008 Kirar
 D585,960 S 2/2009 Ko
 D587,343 S 2/2009 Nobili
 D589,594 S 3/2009 Lammel et al.
 D597,175 S 7/2009 Kulig
 D605,260 S 12/2009 Allard
 D615,622 S 5/2010 Pan
 D627,441 S 11/2010 Sedwick
 D635,220 S 3/2011 Rubin et al.
 D635,221 S 3/2011 Rubin et al.
 D639,386 S 6/2011 Cummings et al.
 D651,284 S 12/2011 Flowers et al.
 D652,489 S 1/2012 Bosio
 D655,398 S 3/2012 Bosio
 D657,024 S 4/2012 Bosio
 D683,825 S 6/2013 Sofield
 8,713,725 B2 5/2014 Alder et al.
 D735,298 S * 7/2015 Eads D23/238
 D746,412 S 12/2015 Hanna et al.
 D758,745 S 6/2016 Blakely et al.
 D786,404 S 5/2017 Kaule et al.
 D787,642 S 5/2017 Kirar et al.
 D795,396 S 8/2017 Kaule et al.
 D795,397 S 8/2017 Clarke
 D799,295 S 10/2017 Huttunen
 D802,091 S 11/2017 Bahler
 D802,720 S * 11/2017 Haug D23/238
 D804,615 S 12/2017 Seum et al.
 D807,989 S 1/2018 Kaule et al.
 D811,529 S 2/2018 Schoenherr et al.
 D812,195 S 3/2018 Clarke
 D823,989 S 7/2018 Soulier et al.

D824,141 S 7/2018 Binger
 D827,779 S 9/2018 Soulier
 D828,908 S 9/2018 Merki
 D835,238 S 12/2018 Kwame
 D836,296 S 12/2018 Sickert
 D855,155 S 7/2019 Stuart
 D861,832 S * 10/2019 Zeng D23/238
 D862,647 S * 10/2019 Zeng D23/238
 D862,648 S * 10/2019 Zeng D23/238
 D863,506 S * 10/2019 Hayner D23/238
 D864,356 S 10/2019 Zhang
 D867,546 S 11/2019 Kaule et al.
 D870,234 S 12/2019 Judge
 D884,831 S 5/2020 Liang
 D887,528 S 6/2020 Liang
 D905,204 S * 12/2020 Zhang D23/238
 D908,842 S 1/2021 Johnson
 D913,438 S * 3/2021 Levi D23/238
 D914,143 S * 3/2021 Levi D23/238
 D930,791 S * 9/2021 Williams D23/238
 D968,572 S * 11/2022 Wang D23/241
 2016/0136659 A1 5/2016 Erickson et al.

OTHER PUBLICATIONS

<https://www.teachoo.com/1900/552/EX-13.2--6---a-solid-iron-pole-consists-of-acylinder-of-height-category/ex-13.2;> (Year: 2018)-
 Touch less Automatic Faucet Motion Sensor Adapter Tap Autowater For Kitchen Bathroom Sink, Jul. 17, 2019, Amazon.com, Aug. 20, 2021. <https://www.amazon.com/Touchless-Automatic-Adapter-Autowater-Bathroom/dp/B07VS94FSB/> (Year: 2019).
 Waternymph Hibbent Dual-function 2-Flow Kitchen Sink Sprayer Aerator, Jul. 3, 2017, Amazon.com, Aug. 16, 2021. URL: <https://www.amazon.com/Waternymph-Certified-Dual-function-360-Degree-Replacement/dp/B073PVDLJ> (Year: 2017).
 Application and File History for U.S. Appl. No. 29/701,795, filed Aug. 14, 2019, inventors: Tory L. Hayner et al.
 Application and File History for U.S. Appl. No. 29/835,074, filed Apr. 15, 2022, inventors: Tory L. Hayner et al.

* cited by examiner

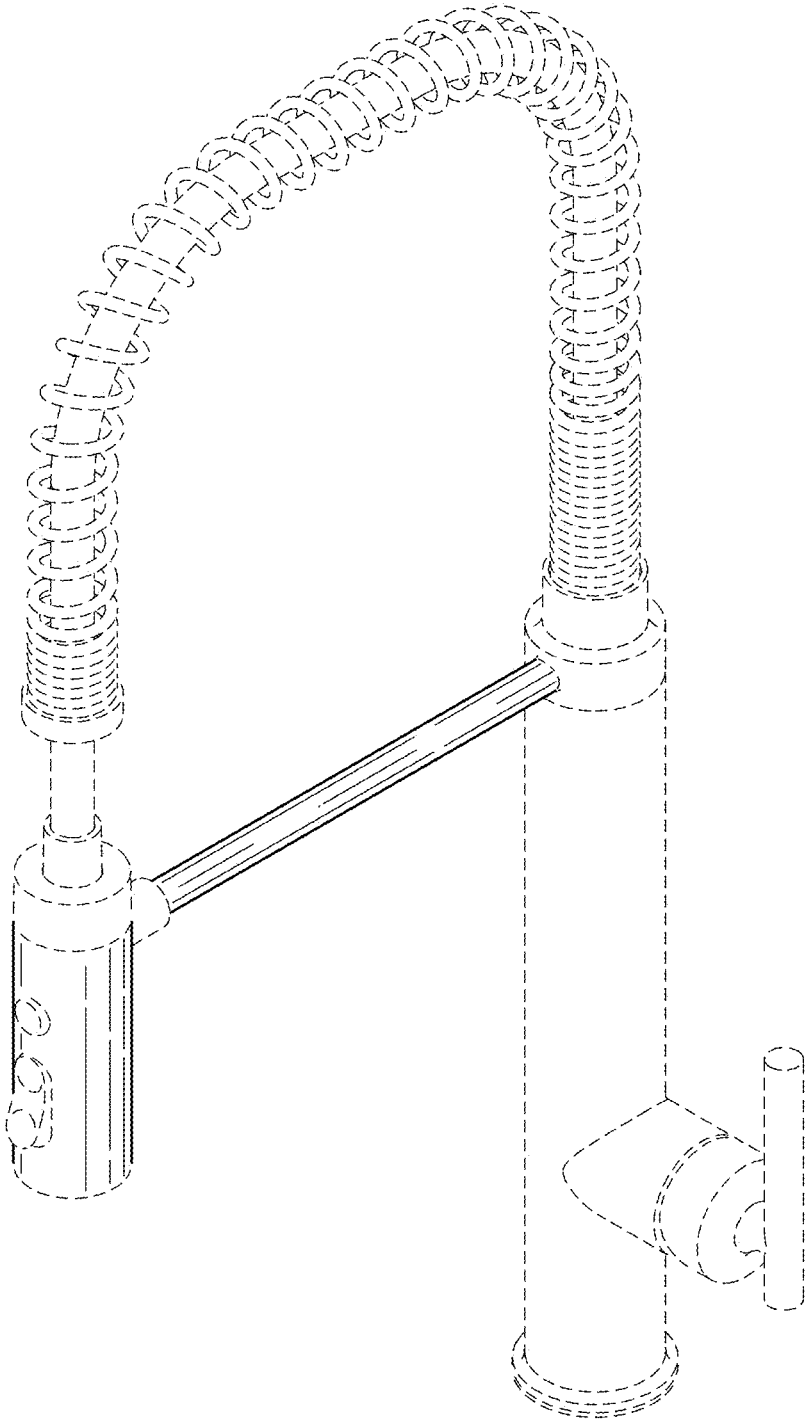


FIG. 1

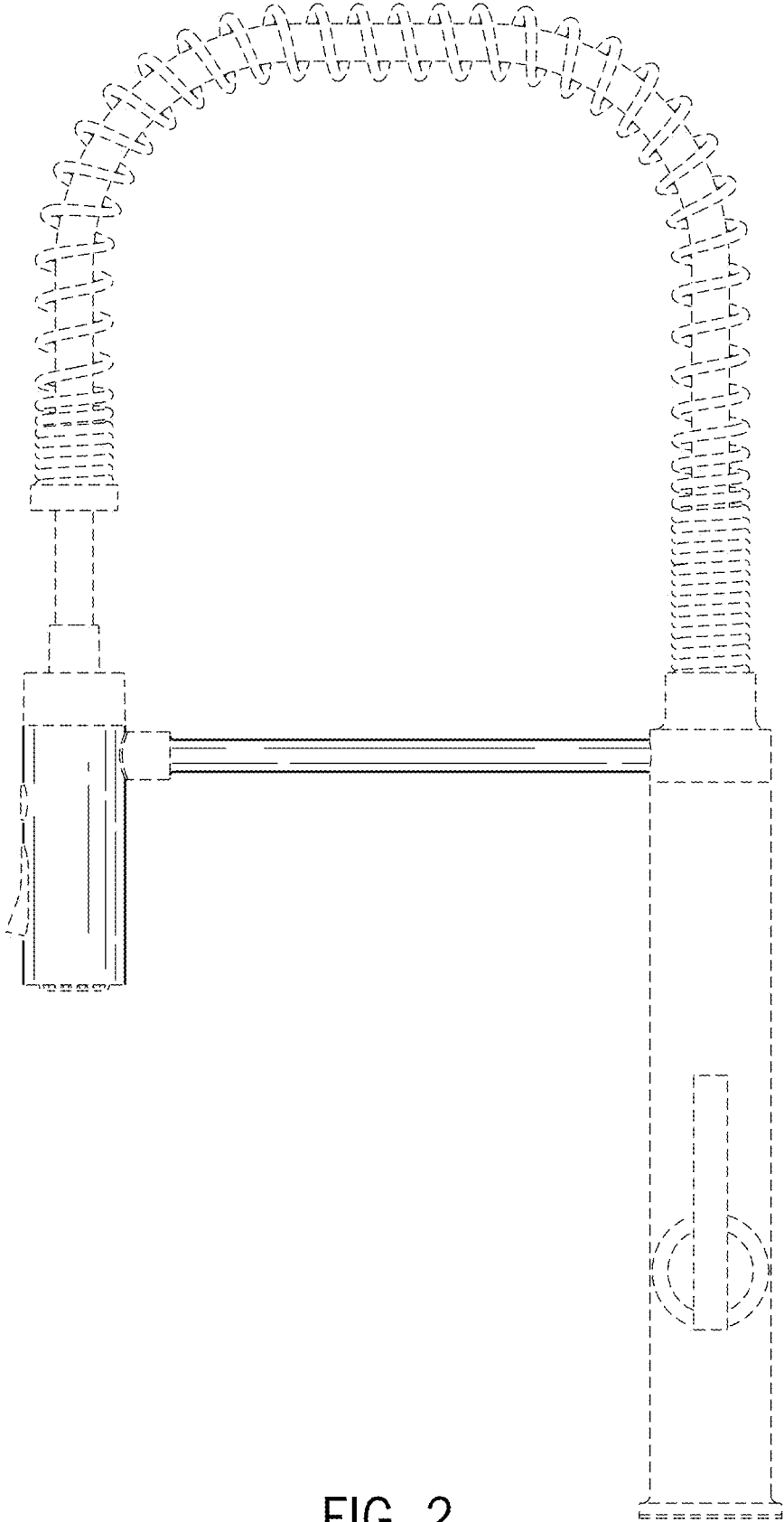


FIG. 2

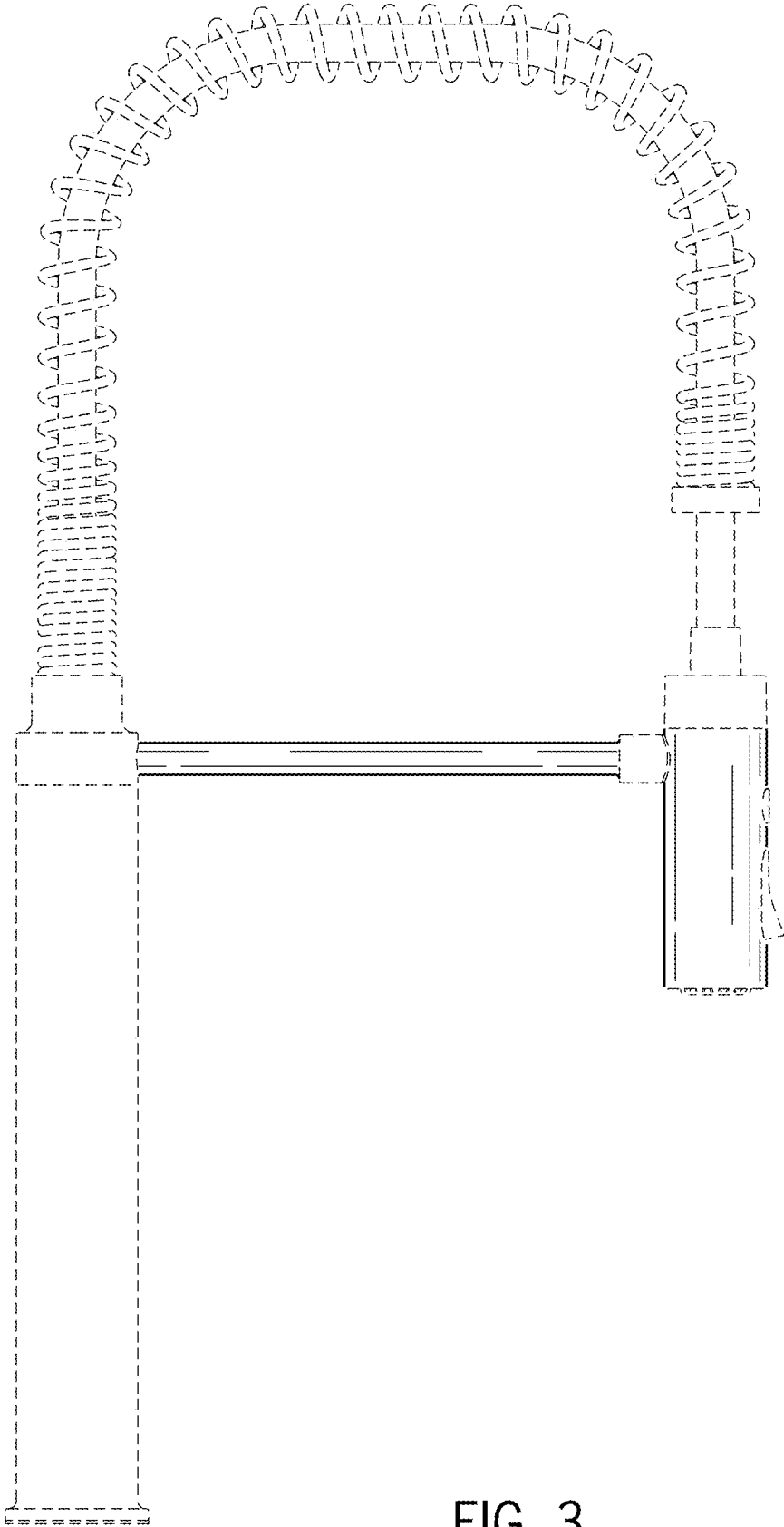
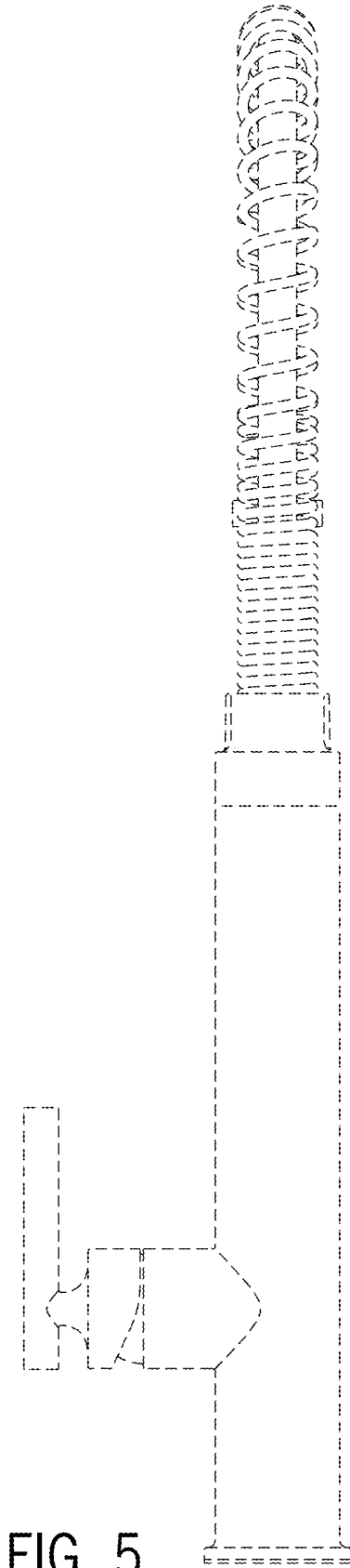
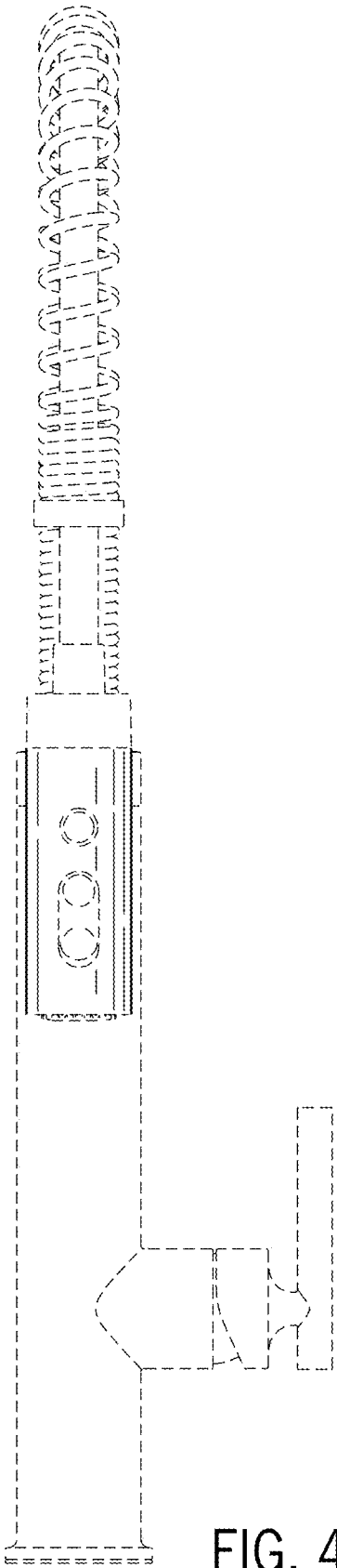


FIG. 3



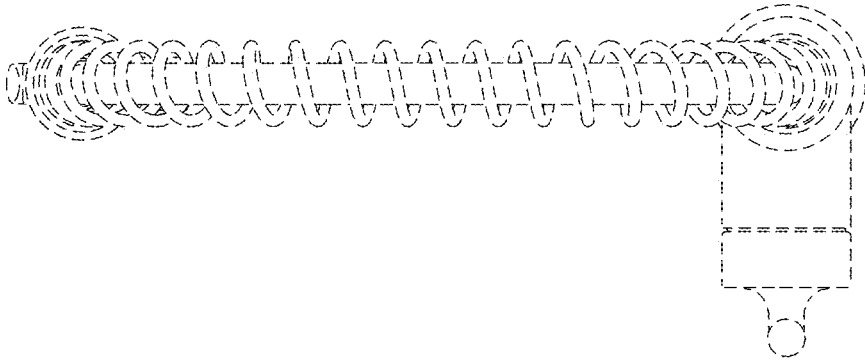


FIG. 6

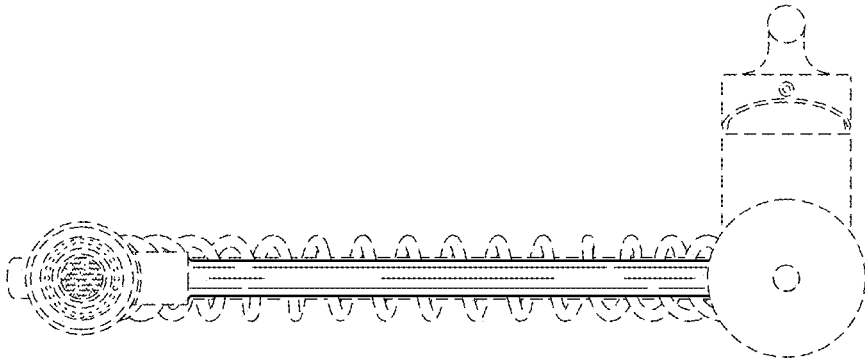


FIG. 7