



- (51) International Patent Classification:

A61B 17/22 (2006.01)	A61B 17/32 (2006.01)
A61B 17/295 (2006.01)	A61B 17/3207 (2006.01)
- (21) International Application Number: PCT/US2014/058438
- (22) International Filing Date: 30 September 2014 (30.09.2014)
- (25) Filing Language: English
- (26) Publication Language: English
- (30) Priority Data:

61/884,332	30 September 2013 (30.09.2013)	US
61/911,456	3 December 2013 (03.12.2013)	US
14/152,189	10 January 2014 (10.01.2014)	US
62/046,863	5 September 2014 (05.09.2014)	US
- (63) Related by continuation (CON) or continuation-in-part (CIP) to earlier application:

US	14/152,189 (CIP)
Filed on	10 January 2014 (10.01.2014)
- (71) Applicant: NSYZ, INC. [US/US]; 1259 El Camino Real #211, Menlo Park, California 94025 (US).
- (72) Inventors: LAUFER, Michael D.; 1259 El Camino Real, #211, Menlo Park, California 94025 (US). ABNOUSI, Freddy; 26 Beverly Drive, San Carlos, California 94070 (US).

- (74) Agents: BAGADE, Sanjay S. et al.; Levine Bagade Han LLP, 2400 Geng Road, Suite 120, Palo Alto, California 94303 (US).
- (81) Designated States (unless otherwise indicated, for every kind of national protection available): AE, AG, AL, AM, AO, AT, AU, AZ, BA, BB, BG, BH, BN, BR, BW, BY, BZ, CA, CH, CL, CN, CO, CR, CU, CZ, DE, DK, DM, DO, DZ, EC, EE, EG, ES, FI, GB, GD, GE, GH, GM, GT, HN, HR, HU, ID, IL, IN, IR, IS, JP, KE, KG, KN, KP, KR, KZ, LA, LC, LK, LR, LS, LU, LY, MA, MD, ME, MG, MK, MN, MW, MX, MY, MZ, NA, NG, NI, NO, NZ, OM, PA, PE, PG, PH, PL, PT, QA, RO, RS, RU, RW, SA, SC, SD, SE, SG, SK, SL, SM, ST, SV, SY, TH, TJ, TM, TN, TR, TT, TZ, UA, UG, US, UZ, VC, VN, ZA, ZM, ZW.
- (84) Designated States (unless otherwise indicated, for every kind of regional protection available): ARIPO (BW, GH, GM, KE, LR, LS, MW, MZ, NA, RW, SD, SL, ST, SZ, TZ, UG, ZM, ZW), Eurasian (AM, AZ, BY, KG, KZ, RU, TJ, TM), European (AL, AT, BE, BG, CH, CY, CZ, DE, DK, EE, ES, FI, FR, GB, GR, HR, HU, IE, IS, IT, LT, LU, LV, MC, MK, MT, NL, NO, PL, PT, RO, RS, SE, SI, SK, SM, TR), OAPI (BF, BJ, CF, CG, CI, CM, GA, GN, GQ, GW, KM, ML, MR, NE, SN, TD, TG).

Published: — with international search report (Art. 21(3))

(54) Title: METHODS AND DEVICES FOR DIASTOLIC ASSIST

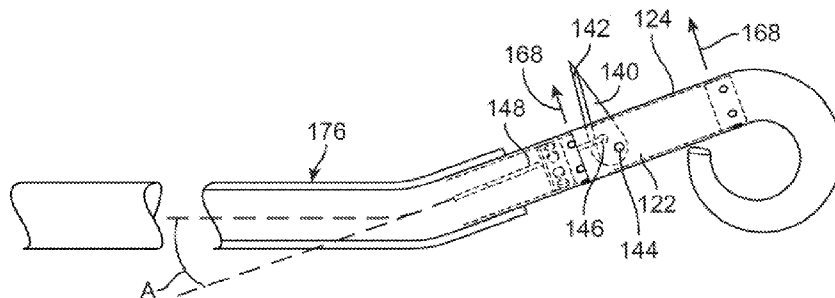


FIG. 5B

(57) Abstract: The devices and method described herein allow for therapeutic damage to increase volume in these hyperdynamic hearts to allow improved physiology and ventricular filling and to reduce diastolic filling pressure by making the ventricle less stiff.



METHODS AND DEVICES FOR DIASTOLIC ASSIST

CROSS-REFERENCE TO RELATED APPLICATIONS

[0001] This application claims the benefit of priority to U.S. Provisional Patent Application Nos. 61/884,332 filed September 30, 2013, 61/911,456 filed December 3, 2013, and 62/046,863 filed September 5, 2014 and is a continuation-in-part of U.S. Patent Application Number 14/152,189 filed January 10, 2014, the contents of which are incorporated herein by reference in their entirety.

BACKGROUND OF THE INVENTION

[0002] Congestive heart failure (CHF) in the United States has a prevalence of approximately 5.8 million people and an incidence of approximately 550,000 people annually. CHF is a rapidly growing medical problem. CHF can be categorized as either systolic heart failure (SHF) or diastolic heart failure (DHF). The estimated direct and indirect cost of CHF in the United States for 2009 is \$37.2 billion. CHF is the primary reason for 12-15 million office visits and 6.5 million hospital days each year. CHF is also thought to be the cause of at least 20 percent of all hospital admissions among patients older than 65. Over the past decade, the rate of hospitalizations for heart failure has increased by 159 percent. About half of all patients with CHF have DHF. DHF has an annual mortality of ~10%.

[0003] The hearts of patients with diastolic dysfunction can contract normally or even with hyperdynamic function. However, in patients experiencing DHF, the part of the cardiac cycle that involves diastole is abnormal as the left ventricle cannot relax or expand sufficiently. The inability of the left ventricle to fully relax results in sub-optimal filling of the left ventricle with blood.

[0004] In particular, diastolic dysfunction is determined by two factors: 1) active myocardial relaxation, primarily affecting early diastole; or 2) passive elasticity or distensibility of the left ventricle, primarily affecting late diastole.

[0005] The abnormal filling of the ventricles in DHF results in limited cardiac output, especially during exertion. As a result, for any given ventricular volume in a heart with DHF, ventricular pressures are elevated, with backup in the circulatory system, leading to pulmonary congestion and edema identical to those seen in patients with SHF.

Symptomatically, patients may immediately feel short of breath. This dysfunction can ultimately lead to multiorgan dysfunction and death.

[0006] There are currently no approved devices for diastolic dysfunction. Additionally, pharmaceutical intervention has not yet shown to improve outcomes in this population.

BRIEF SUMMARY OF THE INVENTION

[0007] The present disclosure includes devices and methods to increase volume in these hyperdynamic hearts to allow improved physiology and ventricular filling and to reduce diastolic filling pressure. For example, the treatments described herein, when performed in a diseased heart, can result in the heart chamber filling to an increased volume of blood (as compared to pre-treatment volumes) at the same pressure. Thereby, the chamber can move more volume than it could pre-treatment.

[0008] In a first variation, the disclosure includes a method of improving a diastolic heart function in a heart of a patient having diastolic heart dysfunction. One variation of the method includes positioning a medical device within a body of the patient; advancing the medical device into an interior chamber of the heart; creating at least one incision in cardiac muscle forming an interior heart wall of the interior chamber without cutting through the exterior part of said heart wall, where the incision is sufficient to reduce a stiffness of the interior chamber to increase volume of the chamber and reduce diastolic filling pressure.

[0009] The above method can further include creating a plurality of incision. The plurality of incision can comprise at least one hole in the cardiac muscle or can comprise creating a plurality of incision.

[0010] Typically the method includes creating at least one incision without reducing the integrity of the cardiac muscle.

[0011] Access to the heart can occur via a vascular approach, an open surgical approach, or a thoracoscopic approach. Furthermore, advancing the medical device can comprise advancing the medical device into the interior chamber of the heart via a transapical approach.

[0012] The devices used to create the therapeutic injury can include any devices selected from the group consisting of a blade, a mechanical cutting device, an electrosurgical device, and a laser device.

[0013] In some variations, the methods occur by inducing tachycardia of the heart. Furthermore, incisions can be created on an interior of the heart.

[0014] The devices can be secured to cardiac muscle prior to or during creating the incision.

[0015] The methods and devices can also optionally deliver bioactive agent to at least one incision to modify the healing process of the cardiac muscle.

[0016] Another variation of the method includes a method of increasing blood flow in a diseased heart. One such example includes positioning a medical device within a body of the patient; advancing the medical device into an interior chamber of the heart; locating a target area of heart tissue; and creating at least one incision in cardiac muscle of the heart tissue to decrease the stiffness of the interior chamber to permit the interior chamber to increase in

volume during diastole. One variation of the device used to make the one or more incisions mentioned above includes a soft semicircular tip at the distal end of the device that may be in fluid communication with an injection port outside the patient. The tip can be imaged when inside the heart under xray fluoroscopic imaging or any other type of imaging or virtual tracking. When the tip is placed into the area of the apex of the heart, the tip configuration changes and the change can be seen during imaging. A contrast imaging agent may be injected through the tip when injected outside the patient through the injection port. Said contrast agent flows into the ventricle. The pattern of flow gives information to the user as to where the cutting member is relative to the inside wall of the ventricle. When the cutting member is adjacent to or embedded in the muscle of the heart wall, the contrast agent will flow only to the surface of the inside wall while the cutting element will be seen within that wall. The contrast agent can also be seen within the cut made in the heart wall.

[0017] Another variation of the methods includes methods of increasing blood flow in a diseased heart by advancing a device within a left ventricle of the heart; placing an elastic member within the left ventricle such that upon diastole the elastic member expands with the left ventricle. The elastic member has one or more arms. At least one of these arms may have a cutting member. The cutting member may be moved along the inside of the ventricle wall making a controlled incision therein. The depth of the incision is controlled by the distance between the arm and/or elastic member and the tip of the cutting member. If several cutting members are included, these members may be moved individually or together by a cable or other coupled member connecting the cutting member to an actuator outside of the patient, to increase a volume within the left ventricle so as to increase blood flow therein.

[0018] The elastic member can comprise a plurality of elastic members positioned in a substantially concentric pattern within the left ventricle. Alternatively, or in combination, the elastic member can comprise at least one spirally shaped elastic member positioned in a substantially concentric pattern within the left ventricle.

[0019] The present disclosure also includes variations of medical devices for creating the elongated incisions within soft tissue. In one example the device comprises a handle comprising a handle body and an actuating member; a flexible shaft having a near end coupled to the handle body and a far end, the flexible shaft; an atraumatic tip located at the far end; a cutting member pivotally secured within the flexible shaft and having a cutting edge; and a linking member coupling the actuating member of the handle to the cutting member, wherein when the actuating member applies a tensile force to the linking member, the cutting member pivots to a lateral side of the flexible shaft to expose the cutting surface and allow cutting of the soft tissue, the tensile force also causing biasing of the far end of flexible shaft towards the lateral side to assist in maintaining the cutting surface within the soft tissue. Alternatively, the device may be introduced into the heart through a guiding catheter. Such guiding catheter can be flexible and directed from outside of the patient and can be either flexed actively by the user or can be preconfigured in one or more shapes. Several shaped guiding catheters can be included in a kit to perform the procedure. Alternatively, or in combination, such catheters can be actuatable upon command or upon reaching a certain condition (e.g., body temperature, use of a stylet, etc.)

[0020] A variation of the device includes a channel extending between the near end of the flexible shaft through the opening. In addition, the medical device can further include a sheath being slidably located on the flexible shaft, where the sheath can be advanced to cover the opening and retracted to expose the opening.

[0021] Variations of the medical device can include a cutting member that comprises an electrically non-conductive material. In such cases, the cutting member can optionally include at least one electrode located on the electrically non-conductive material, where the at least one electrode is electrically coupleable to a source of electrical current.

[0022] In alternate variations, the cutting member comprises an electrically conductive material and where the cutting member is electrically coupleable to a source of electrical current.

[0023] The devices described herein can have one or more openings adjacent to the far end of the flexible shaft, where the cutting surface of the cutting member extends through

the opening when pivoted. In some variations, the device further comprises one or more electrodes adjacent to the opening.

[0024] The devices described herein can further include a rigid section at the far end of the flexible shaft where the rigid section comprises an opening through which the cutting surface of the cutting member extends when pivoted. As discussed herein, the rigid section at the far end of the device provides uniformity to create the incision, while the flexible nature of the shaft permits navigation to remote tissues through tortuous anatomy.

[0025] The devices described herein can include an atraumatic tip located at the far end of the flexible shaft. The atraumatic tip can comprise a curved elastic member or any shape that provides a lateral force to assist the cutting member to penetrate tissue. Alternatively, the atraumatic tip can simply comprise a blunt elastic or inelastic material. Variations of the devices can include atraumatic tips that are radiopaque.

[0026] Furthermore, the devices described herein can employ any additional number of lumens for fluid delivery, guidewire advancement, imaging, etc.

[0027] This application is related to U.S. Publication No. 2012/0296153 U.S. Patent Application No. 13/277,158 filed on October 19, 2011; U.S. Application No. 14/152,187 filed on January 10, 2014 and U.S. Provisional Application Nos. 61/394,759 filed on October 19, 2010; 61/478,495 filed on April 23, 2011; 61/504,641 filed on July 5, 2011; 61/884,332 filed on September 30, 2013; and 61/911,456 filed on December 12, 2013, the contents of which are each incorporated herein by reference in its entirety.

BRIEF DESCRIPTION OF THE SEVERAL VIEWS OF THE DRAWINGS

[0028] FIGS. 1A and 1B, illustrate respective top and side views of a first example of a treatment device that can be used to make incisions in soft tissue according to the present disclosure.

[0029] FIG. 2A illustrates perspective partial cross sectional view of a far **end** of the device of FIGS. 1A and 1B.

[0030] FIG. 2B illustrates a partial side view of the device above showing the link being secured between the actuating member and cutting member.

[0031] FIG. 2C illustrates a proximal or tensile force applied to the link causing the cutting member to pivot out of the opening towards a lateral side of the device.

[0032] FIG. 3A illustrates a variation of the device where a rigid section of the flexible shaft comprises an enclosure that is secured to a distal end of the flexible shaft.

[0033] FIG. 3B shows a variation where the flexible shaft houses the cutting member with a reinforcement member (either external or internal to the shaft) coupled to the flexible shaft where the reinforcement member renders the area as a rigid section.

[0034] FIGS. 4A to 4C illustrate advancement of a device into a heart to create a lesion as described herein.

[0035] FIGS. 5A to 5C illustrate additional variations of the device where application of a lateral force can be separated from actuation of the cutting member.

DETAILED DESCRIPTION OF THE INVENTION

[0036] The illustrations described herein are examples of the invention. Because of the scope of the invention, it is specifically contemplated that combinations of aspects of specific embodiments or combinations of the specific embodiments themselves are within the scope of this disclosure.

[0037] As noted above, the methods described herein increase a volume of a chamber of a heart to improve blood flow in diastolic heart failure. For example, incisions, cuts, holes, or other separation of tissue can be made in muscle forming the wall of the left ventricle to improve a diastolic function of the heart. Although the description and claims described herein discuss primarily treatments occurring in a left ventricle, unless specifically discussed or claimed, the treatments can occur in any chamber of the heart (e.g., the atriums and/or ventricles). Typically, access to the chambers of the heart (endocardium) can be made percutaneously or via a transapical approach. Once in the ventricle, small cuts, holes, or a combination thereof are made to the cardiac muscle at one or more layers of the musculature.

[0038] One of the goals of the therapeutic damage is to increase volume in these hyperdynamic hearts to allow improved physiology and ventricular filling and to reduce diastolic filling pressure by making the ventricle less stiff. In some cases, the type of therapeutic damage, e.g., angles, dimensions, length, depth, density, and architecture shall balance of the integrity of the musculature versus the functional result. Meaning the amount of therapeutic damage to the tissue must be balanced against compromising the integrity of the tissue. In many cases, the treatment can be optimized to ensure adequate function physiologically, hemodynamically, and electrophysiologically. Unless otherwise specified, the therapeutic treatments only extend into one or more layers of the cardiac muscle and not through the wall of the heart.

[0039] The therapeutic damage caused to the cardiac muscle can be additionally treated with agents that prevent closure of the wounds. Such agents can include pyrolytic carbon, titanium-nitride-oxide, taxanes, fibrinogen, collagen, thrombin, phosphorylcholine, heparin, rapamycin, radioactive 188Re and 32P, silver nitrate, dactinomycin, sirolimus, everolimus, Abt-578, tacrolimus, camptothecin, etoposide, vincristine, mitomycin, fluorouracil, or cell adhesion peptides. Taxanes include, for example, paclitaxel, 10-deacetyltaxol, 7-epi-10-deacetyltaxol, 7-xylosyl-10-deacetyltaxol, 7-epi-taxol, cephalomannine, baccatin III, baccatin V, 10-deacetylbaccatin III, 7-epi-10-deacetylbaccatin III, docetaxel. Other agents that could effect improved function include bioactive substances including proteins and cells like stem cells.

[0040] FIGS. 1A and 1B, illustrate respective top and side views of a first example of a treatment device **100** that can be used to make incisions in soft tissue according to the present disclosure. As shown, the device includes a handle **102** comprising a handle body **104** and an actuating member **106**. Variations of the device can include handles of any number of configurations. Typically, such variations include an actuating member that is moveable relative to a handle body. Such examples can include triggers, levers, dials, etc. Furthermore, the actuating portion can include a switch type mechanism in the event the respective variation is driven by a motor or other automated means.

[0041] The device **100** further includes a flexible shaft **110** that extends between a near end **112** and a far end **114**. In the illustrated example, the near end **112** depicted as having an optional stress relief sleeve as well as a fluid port **116** for administering fluid through the device **100**. The devices can also include an optional source of current for coupling to electrodes on the device **100** (as described below), for pacing the soft tissue, monitoring EKG, determining whether the device's cutting member is embedded within tissue, electrocautery, coagulation and/or electrodeposition of medicines or other substances. Similarly, the device **100** can include one or more sources of fluid **134** for coupling to the device **100** via a fluid port **116**. The fluid can be dispensed through the cutting member opening **124** or through a separate opening.

[0042] Variation of the device **100** can also include an atraumatic tip **120** that can optionally selected to be radiopaque. Alternatively, or in combination cutting element can be radio-dense so it is visible and its position can be determined during use. The example depicted in FIGS. 1A and 1B includes an atraumatic tip having the shape of a curved elastic member. In those cases where the device **100** is used in the heart or other cavity the atraumatic curved member **120** protects the tissue from being punctured by the tip of the

device **120**. The elastic curved member **120** also is able to flex and relax when pushed into the apex of the heart or cavity. In those variations where the flexed tip **120** is radiopaque, a physician performing the procedure will be able to observe the shape change of the tip under fluoroscopic imaging. When physician then actuates the device to cut tissue, the elastic property of the tip **120** pushes far end **114** of the device against tissue and assists in keeping the cutting element or member within the soft tissue while the cut is being made. Such a feature is especially useful when cutting heart tissue and the heart muscle is contracted during systole. Optionally, the device **120** can augment the process by pacing of tissue using electrical impulses. The shaft of the device can also be shaped to facilitate placement of the device against various places within the heart.

[0043] FIG. 2A illustrates perspective partial cross sectional view of a far end **114** of the device **100** of FIGS. 1A and 1B. In this example, the far end **114** of the flexible shaft includes a relatively rigid section **122** coupled to the shaft **110**. The rigid section **122** carries a cutting member **140** that is secured to the rigid section **122** using a pivot member **144**. The cutting member **140** depicted is for illustration purposes only. Any number of blade shapes can be employed in addition or in combination with the illustrated cutting member. The cutting member **140** is also coupled to a link member **148** at a connection point **150**. The link member **148** extends through the shaft **110** and is secured to the actuating member **106** discussed above. The link **148**, a wire in the illustrated example, can include additional components to assist in applying a tensile force to the cutting member **140**. In the illustrated example, the link member **148** includes an inner tube **152** and an outer tube **154** that are located within a passage **118** of the flexible shaft **110**. Such components can improve the structural integrity of the link **148** or can serve to insulate and/or separate the link **148** from electrical components (not illustrated) extending through the passage **118**. The passage can also include a valve either in the shaft and/or in the handle continuous to prevent back bleeding into the catheter. A channel for a guide wire can also be used.

[0044] FIG. 2B illustrates a partial side view of the device **100** discussed above, as shown the link **148** is secured to the actuating member **106** (shown in FIGS. 1A and 1B) such that upon application of a tensile force, the link member **148** causes movement of the cutting member **140**. However, prior to actuation, the cutting member **140** is retained within the device **100** so that the cutting surface **14** is shielded and cannot inadvertently cut tissue. Variations of the device can also include additional features **160** can be coupled to the cutting member **140** and/or the link **148** such as a strain gauge, spring, or similar

structures that allow either retention of the cutting member within the device **100** or monitoring of the cutting member **140** as it cuts tissue. As illustrated, a variation of the device **100** includes a cutting member **140** having a link connection point **150** that is offset from an axis **A-A** of an area of the device **100** immediately surrounding the cutting member. This eccentric configuration improves actuation of the cutting member and can cause the far end of the device **100** to preferentially apply a force toward a lateral side of the device where the cutting edge **142** is eventually exposed. Such a feature can increase the ability and ease of which the physician can push the cutting edge **142** into the heart muscle. In additional variations, the entire cutting assembly **140** (including the pivot point **144**) is offset from the axis towards the lateral side of the device **100**.

[0045] FIG. 2B also illustrates an optional sheath **164** or cover that can be slidably mounted on the flexible shaft **110**. During advancement or positioning of the device, the sheath **164** can be advanced over the opening **124** to prevent the cutting member **140** from inadvertently damaging tissue. Moreover, the sheath **164** can function as an added safety measure since distal movement (in the direction of arrows **166**) can separate the cutting member from tissue or can push the cutting member back into the device **100** if the link **148** fails.

[0046] FIG. 2C illustrates a proximal or tensile force **162** applied to the link **148** causing the cutting member **140** to pivot out of the opening **124** towards a lateral side of the device **100**. In the illustrated variation, the cutting edge **142** is exposed in a rearward direction so that pulling on the device **100** allows the cutting member **140** to cut tissue when the cutting member is advanced adjacent to or positioned within tissue. As noted above, the main passage **118** of the device (or any additional lumen or fluid supply tube) can be used to deliver any number of fluids or substances to an opening in the device, including but not limited to the cutting member opening **124**.

[0047] In alternate variations, the cutting member **140** includes cutting edges **142** on the front side or on both sides of the cutting member **140** to allow rearward and forward cutting. FIG. 2C also illustrates the link **148** being eccentric in relation to an axis of the device. This feature results in a lateral force component as noted by arrows **168**. The lateral force component **168** is directed towards the lateral side of the device and assists in maintaining the cutting member **140** within tissue during cutting. As noted above the lateral force causes the catheter to differentially bend or urges the far end of the device **100** toward the blade side (lateral side), increasing the ability to push the blade into the heart muscle or other soft tissue. Additional variations of the device do not rely upon eccentric

placement of the cutting member or link but create a lateral force through adjustment of the blade configuration. In addition, variations of the device include a pivot **144** that is located distally to the link attachment point **146** when the cutting member **140** is exposed. As shown in FIG. 2C, the link attachment point **146** is proximally located relative to the pivot **144**. This configuration prevents interference between the link **148** and the pivot **144** of the cutting member **140** and allows the link to apply lateral force to the far end of the device so that the device flexes in the direction of the cutting member **140**.

[0048] As noted above, a variation of the device **100** can include the cutting member **140** that is positioned within a rigid section **122** that is adjacent to the flexible shaft **110**. The rigid section prevents deflection of the area adjacent to the cutting member opening **124**, which allows for greater control of the amount of exposure of the cutting edge.

[0049] FIG. 3A illustrates a variation of the device where the rigid section **122** comprises an enclosure that is secured to a distal end of the flexible shaft **110**. The enclosure **122** can comprise a conductive material so that it can be used to apply energy, pace tissue, or sense for contact with tissue. In such a case, the enclosure can be electrically coupled to a power supply **130** via known means **136**. Alternatively, the enclosure can comprise an insulated or non-conductive structure but still selected to maintain rigidity as described above.

[0050] Alternatively, or in combination, the cutting member **140** can be selected from a conductive material and electrically coupled to a power supply **138** via known means. In additional variations, the cutting member **140** can be fabricated from a non-conducting material or insulative material (e.g., ceramic, polymer, a composite material). In the latter case, the cutting member **140** can optionally include one or more electrodes or energy transfer surfaces that are affixed or positioned on one or both sides of the cutting member **140**.

[0051] In an additional variation, as shown in FIG. 3B, the flexible shaft **110** can house the cutting member **140**. In such a case, a reinforcement member **168** (either external or internal to the shaft **110**) can be coupled to the flexible shaft **110** where the reinforcement member renders the area as a rigid section.

[0052] FIG. 3B also illustrates a variation of the device where the flexible shaft **110** includes one or more electrodes **170**, **172** on an exterior of the shaft **110** and adjacent to the opening **124**. As shown, the electrodes can be coupled to a power supply using known means. The electrode configuration can be employed on the enclosure shown in FIG. 3A as well.

[0053] FIG. 4A illustrates an example of a treatment device as described herein being used in a chamber of the heart **9**. Clearly, the device **100** can be used in any pocket or cavity of soft tissue. As illustrated, a physician advances a treatment device **100** into a chamber **8** of the heart **9**. Once inside the chamber **8**, in this example the left ventricle, the physician can advance an atraumatic tip **120** of the device **100** against tissue (in this case the apex of the chamber) to provide an opposing force to allow penetration of the cutting member into cardiac tissue. Because the atraumatic tip **120** is elastic and resilient there is a reduced risk that the tip **120** will create undesired injury. In addition, the flexible shaft of the device **100** can include any number of reinforcing member **126** such as braids, coils, polymer coextrusion, etc., that maintains torqueability and/or column strength of the flexible member. Such characteristics are required for accurate placement of the cutting element against the desired area of tissue. As noted above, electrodes (or components of the device) can be used with a power supply **130** to assist in placement of the device, and/or provide therapeutic treatment. In some variations the device can be configured as a bi-polar device, with electrodes of opposite polarity on the device. Alternatively, the device can function in a monopolar or unipolar configuration. In such a case an external electrode **131** can be positioned on a remote area of the patient's body.

[0054] Fig. 4B shows a magnified view of the device **100** being advanced into position at the apex of the heart where deformation of the atraumatic tip **120** applies a force in a lateral direction **168**. As noted above, the atraumatic tip **120** is not limited to a curved configuration; instead, any shape that delivers a biasing force can be employed. Furthermore, some variations of the device may not require a biasing force applied by the tip.

[0055] FIG. 4B also illustrates advancement of the cutting member **140** to the lateral side. As noted above, this action can also apply a lateral force to assist in placement of the cutting element **140** within tissue. As shown in FIG. 4C, The lateral force can assist retention of the cutting element **140** as it is withdrawn in a proximal or rearward direction leaving the therapeutic cut **4** in tissue. As noted above, a strain gauge or other structure can be used to measure the drag or resistance on the device to assist in determining whether the cutting element is engaged in tissue. In any case, as noted above, tension applied by the link not only actuates the cutting member, but also, when positioned in an eccentric location within the shaft, the tension also causes the catheter to differentially bend toward the blade side, increasing the ability to push the blade into the heart muscle.

[0056] Again, the shape of the blade or cutting member can be selected so that it stays in tissue while being pulled. In certain variations, the cutting member opens from distal to proximal direction so that it can be safely closed by retracting into the device sheath or by pushing a sheath over the cutting member.

[0057] The cutting element can be an electrically insulated blade (e.g., made of ceramic, polymers, or a composite structure) that allows electrodes on both sides of blade to be electrically isolated from each other. Electrodes can be used to monitor EKG for a current of injury to demonstrate cutting, can be used to pace the heart, demonstrating that the blade is within the heart muscle, and for other uses (electrocautery, depth measurement, electrodeposition of drugs /chemicals). If the cutting element is fabricated from a conductive material, it can be used for pacing, which allows a cut to be made during systole and pushes muscle onto blade for cutting. Alternatively, or in combination, the rigid section of the device can be used as a return electrode for sensing, treatment or manipulation of tissue as discussed above.

[0058] FIGS. 5A-XXXX illustrate additional variations of devices and methods for performing the treatment as described herein. Such variations can be combined with the variations discussed above and/or can serve as stand-alone features/devices where applicable. For example, FIG. 5A illustrates a variation of a device where articulation of the shaft is decoupled from actuation of the cutting member 142. Articulation of the shaft can be performed by either pushing or pulling of the member 174. Alternatively, the member can comprise any number of pre-shaped stylets that allow a physician to select the degree of curvature desired in order to perform an incision.

[0059] FIG. 5B shows another variation of a device where the shaft applies a lateral force 168 through the use of one or more sheaths 176. The sheaths can include pre-shaped sheaths having an angle A or a set of pre-shaped sheaths having a range of angles so that the physician can select the degree of deflection or amount of lateral force 168 desired.

[0060] FIG. 5C shows another variation of a device. In this example, the device includes a servo or other deflection motor that drives a lead screw 178 where the lead screw 178 engages a second threaded member 180 fixed to the shaft where relative rotation 182 causes movement of the lead screw relative to the threaded member 180 to create the lateral force 168. The deflection motor can also actuate the blade or can be independent of the blade.

[0061] It should be understood that application of the lateral force 168 can be obtained through any number of means used for control of devices and/or control of medical

devices. For example, the device and/or cutting member can be controlled using a robotic system such as those provided by Intuitive Surgical, Hansen Medical, etc. Alternatively, the device can employ a memory element that produces deflection upon the element reaching a certain condition (e.g., body temperature), or upon the application of a current to the element.

[0062] As noted above, the depth of cut can be varied by making the blade longer or shorter using the adjustments and stops discussed above. It can also be varied in a given-length blade catheter by exposing more or less blade with the angle of exposure varying from barely out of the catheter to 90 degrees from the long axis of the catheter.

[0063] The handle shown in FIGS. 1A and 1B can be ergonomic and allow the cutting element to be exposed by flexing the fingers of the operator's hand, and retracted by extending the fingers. The stop, as discussed above, can be placed on the handle so that the maximum blade exposure can be limited to a preset angle, corresponding to a preset depth. Electrical components can be connected at the handle which is electrically connected to the blade through the pull wire.

[0064] In many variations, the tip or cutting edge of the cutting member is sharp enough to allow the heart muscle (or other soft tissue) to be stabbed and the angle between the dull and sharpened side is acute enough to allow cutting with minimal force. An alternative sickle-shape is also possible, which causes the blade to remain within the tissue while being pulled but requires the knife to be pushed backward after the cut to disengage the tissue.

[0065] The device can also employ a pull-apart or splittable cover that retains the curved atraumatic tip temporarily straight to allow for easy entry into a guiding sheath during use. When this pull-apart cover is pulled off, the curled tip bends once it is unconstrained by the guiding sheath. This makes for ease of use, but also ensures single-use.

[0066] The diameter of the catheter does not constrain the length of blade or depth of cut as the width of the blade can be reduced to fit within even a small catheter. The length of the blade can therefore be several times the diameter of the catheter. For example, in one example the diameter of the device was 7 French, allowing it to go through the smallest of guide catheters known.

[0067] The methods described herein can be performed using a number of additional modes to determine proper placement. For example, the methods can be performed under fluoroscopy and/or with contrast agents. Alternatively, or in combination, a device can

include a pressure sensing tip or along catheter at one or multiple points that determine when the device is positioned against the heart wall. In another variation, the device can include an opening at the distal end that is attached to arterial sensing equipment. Next, the waveform of a pressure wave is observed. When the hole is covered by tissue, the tissue blunts the waveform. This effect can be used as a test for catheter wall apposition. A physician can also confirm placement using an echocardiogram (TTE, TEE, intracardiac) where image shows position of device relative to wall/tissue.

[0068] Current can also be used to determine blade contact with tissue. For example, a current can be placed through the tissue (through ekg or similar type electrochemical sensing). As the blade touches the tissue, a voltage change can be measured from the circuit completed by the blade's contact with tissue.

[0069] Additionally, implantable hardware within, near, or around these cuts/holes with drug eluting capability may be part of this procedure. As well, the hardware (knife or otherwise) used to make the intervention on the cardiac chambers may be coated with drugs much like in drug coated balloon angioplasty.

[0070] As noted herein, the physician can create one or more therapeutic incisions, cuts, cores, holes, or other similar therapeutic damage to increase volume in the ventricle when in diastole. As noted above, this damage reduces the stiffness of the ventricle (or cardiac muscle in the wall) to improve ventricular filling and reduce diastolic filling pressure (which resists blood flow into the ventricle). The method includes making one or more therapeutic damage sites within one or more chambers of the heart. In this variation, the treatments occur in the endocardium 2. Any of the treatment devices 3 described herein can include spring biasing, steering, a steerable sheath or catheter, a pull wire, or other mechanism to assist in navigation or apposition of the working end 4 of the device 3 against the target site.

[0071] Devices for use in the methods described herein can incorporate alternative design options to improve safety to critical structures and to ensure cuts are made as expected (any combination or singular use of the below may be incorporated with any of the variations of the methods or devices discussed herein.)

[0072] The devices described herein can be used in other applications as well. For example, devices have application to make MAZE incisions by making multiple cuts in or around the pulmonary vein/s to interrupt conduction of atrial electrical activity. The devices and procedures can be used for commissurotomy, by cutting valve in various places including commissures to decrease valvular stenosis. The devices can be used for any and

all cardiovascular structures that have undergone stenosis/sclerosis, such as renal arteries/pulmonary veins after RF exposure by cutting longitudinally with knife catheter. Furthermore, the devices can be used to perform plastys in all chambers of the heart by cutting longitudinally with the knife blade. Another potential use includes septal ablations by cutting longitudinally with the knife device; endarterectomy using the blade as cutting device to remove plaque. This peeling/cutting device will be proximal to a distal umbrella unit at the tip of the device that is used to both peel plaque and prevent embolization. Current open methods of carotid endarterectomy lead to stenosis secondary to opening the vessel and subsequently closing the incision; our method would provide an advantage over this as we would not be opening the vessel. Glaucomaplasty via Canal of Schlem incision thus increasing the diameter of the canal, increasing the flow of aqueous humor, and thus decreasing intraocular pressures. The devices can be used for tear duct plasty as well as looking for chronic sinusitis; third ventriculoplasty for obstructive hydrocephalus; and psialalithiasis intervention to remove stones.

CLAIMS

We claim:

1. A medical device for creating elongated incisions within soft tissue, the device comprising:
 - a handle comprising a handle body and an actuating member;
 - a flexible shaft having a near end coupled to the handle body and a far end, the flexible shaft;
 - an atraumatic tip located at the far end;
 - a cutting member pivotally secured within the flexible shaft and having a cutting edge; and
 - a linking member coupling the actuating member of the handle to the cutting member,
2. The medical device of claim 1, further comprising a channel extending between the near end of the flexible shaft through the opening.
3. The medical device of claim 1, where the linking member is offset from a pivot point of the cutting member.
4. The medical device of claim 1, further comprising a sheath being slidably located on the flexible shaft, where the sheath can be advanced to cover the opening and retracted to expose the opening.
5. The medical device of claim 1, where the cutting member comprises an electrically non-conductive material.
6. The medical device of claim 5, further comprising at least one electrode located on the electrically non-conductive material, where the at least one electrode is electrically coupleable to a source of electrical current.
7. The medical device of claim 1, where the cutting member comprises an electrically conductive material and where the cutting member is electrically coupleable to a source of electrical current.

8. The medical device of claim 1, further comprising an opening adjacent to the far end of the flexible shaft, where the cutting surface of the cutting member extends through the opening when pivoted.
9. The medical device of claim 8, further comprising an electrode adjacent to the opening.
10. The medical device of claim 1, further comprising a rigid section at the far end of the flexible shaft where the rigid section comprises an opening through which the cutting surface of the cutting member extends when pivoted.
11. The medical device of claim 10, where the rigid section comprises a conductive material and is coupleable to a source of current.
12. The medical device of claim 10, where the rigid section comprises a metal enclosure.
13. The medical device of claim 10, where the cutting member is in the rigid section and configured to pivot.
14. The medical device of claim 1, further comprising a strain measurement device coupled to the linking member.
15. The medical device of claim 1, wherein the linking member is offset from an axis of the flexible member to assist in biasing the far end of the flexible shaft upon application of the tensile force.
16. The medical device of claim 1, further comprising an atraumatic tip located at the far end of the flexible shaft.
17. The medical device of claim 16, where the atraumatic tip comprises a curved elastic member
18. The medical device of claim 16, where the atraumatic tip is radiopaque.
19. The medical device of claim 1, where the cutting member is releasably fixable upon pivoting to the lateral side such that the cutting member is adjustable between a range of

angles relative to the flexible member, where the range of angles can be varied to adjust a cutting depth in the soft tissue.

20. The medical device of claim 19, further comprising a stop coupled to the linking member, where the stop limits pivoting of the cutting member.
21. The medical device of claim 1, where the flexible member further includes a braid such that to improve rotational stiffness of the flexible member.
22. The medical device of claim 1, where the flexible member further includes a guidewire lumen.
23. The medical device of claim 1 I where the flexible member is preshaped to conform to the chamber.
24. A kit comprising the medical device of claim 1 and one or more preshaped guiding catheters.
25. A kit comprising the medical device of claim 1 and one or more user shapeable guiding catheters.

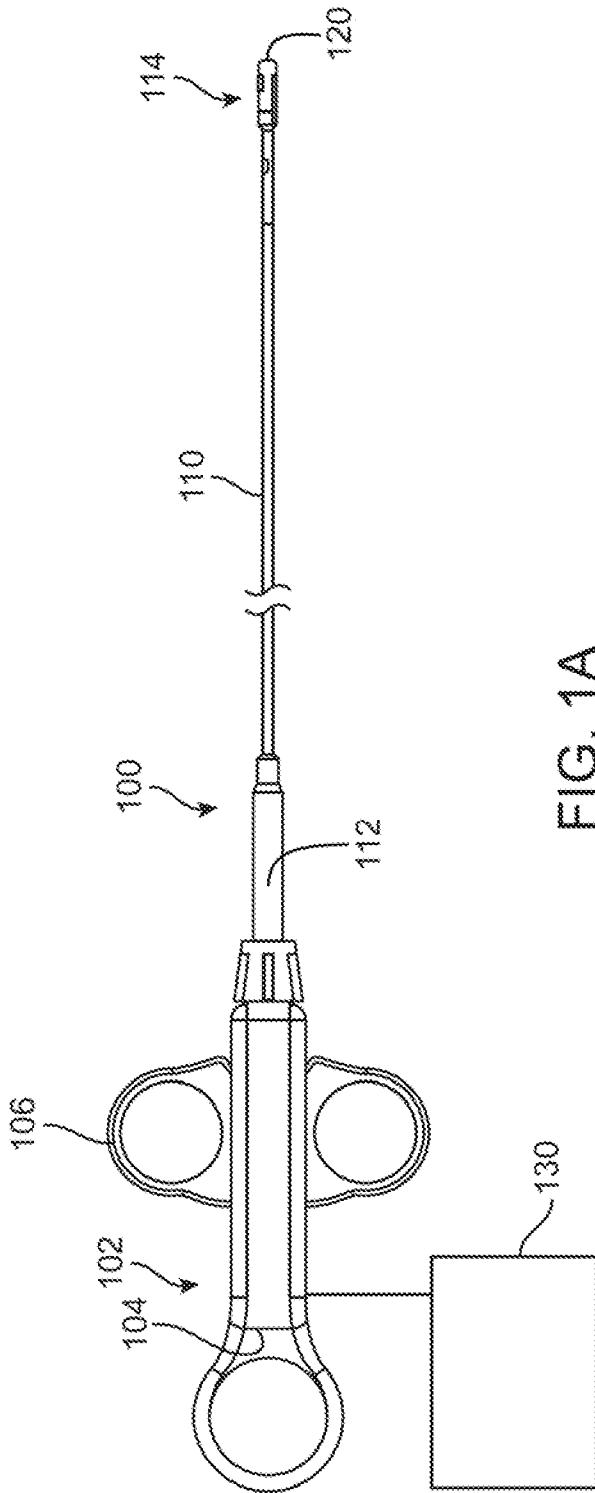


FIG. 1A

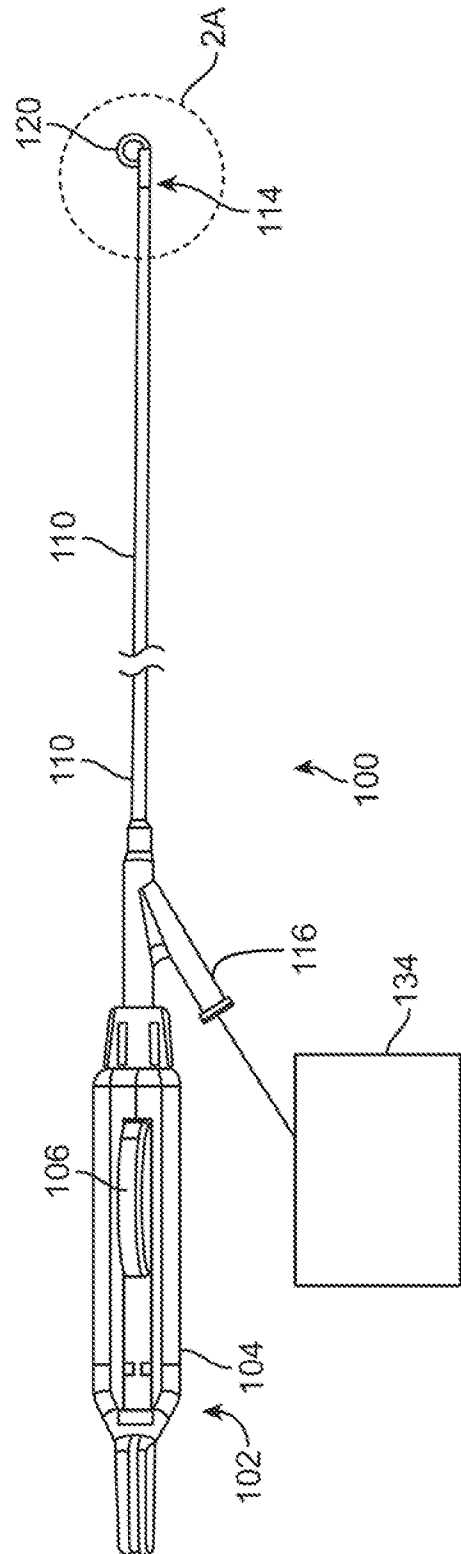


FIG. 1B

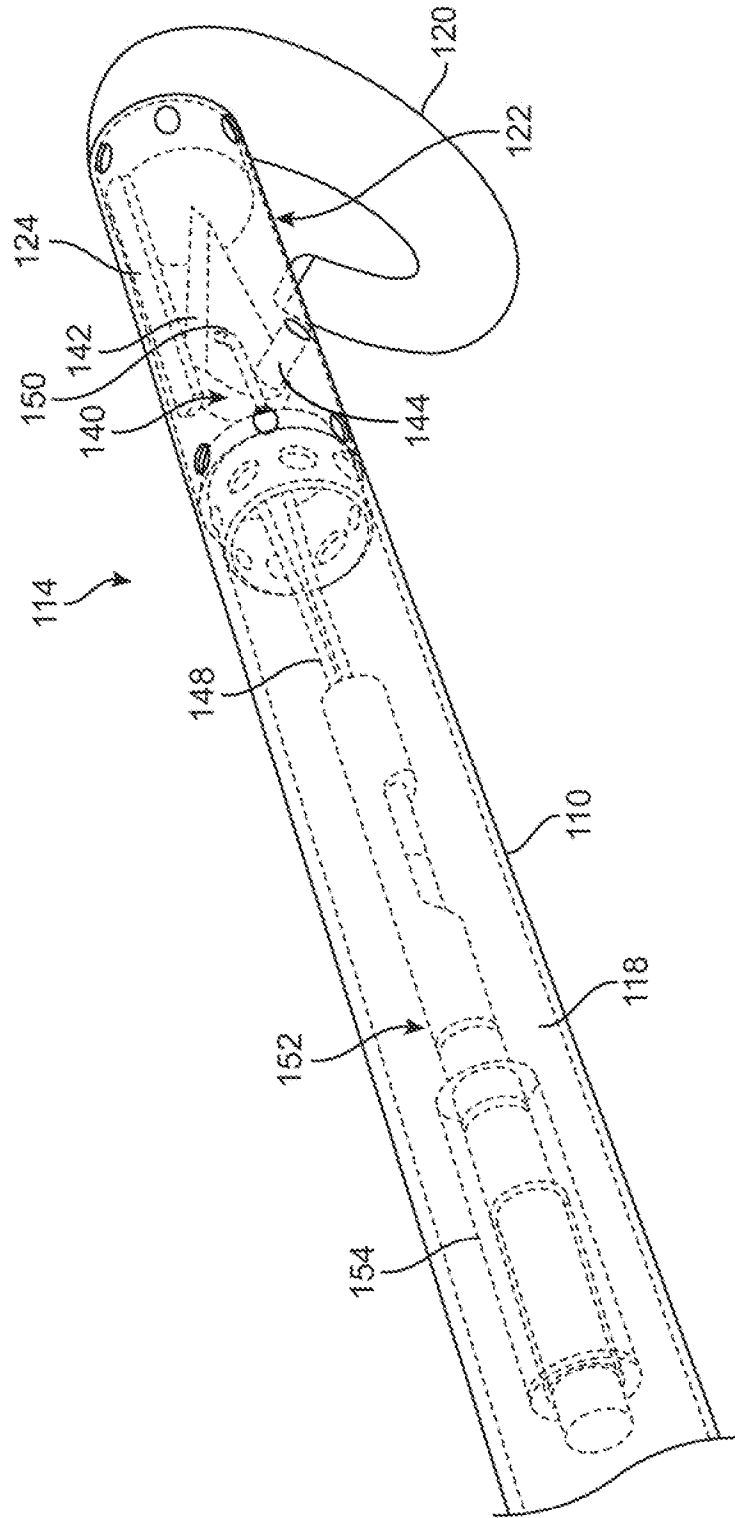


FIG. 2A

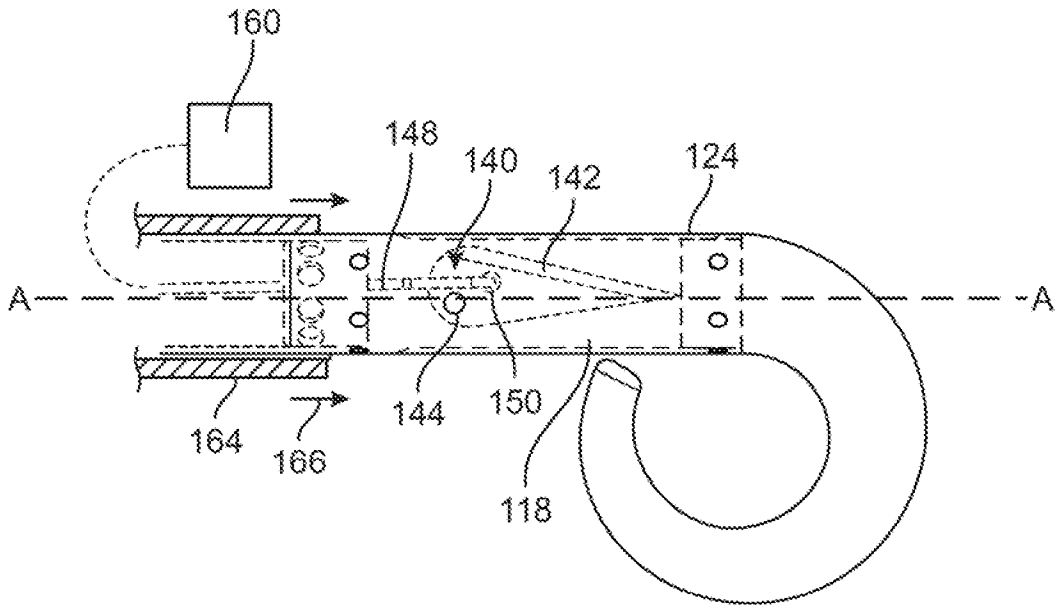


FIG. 2B

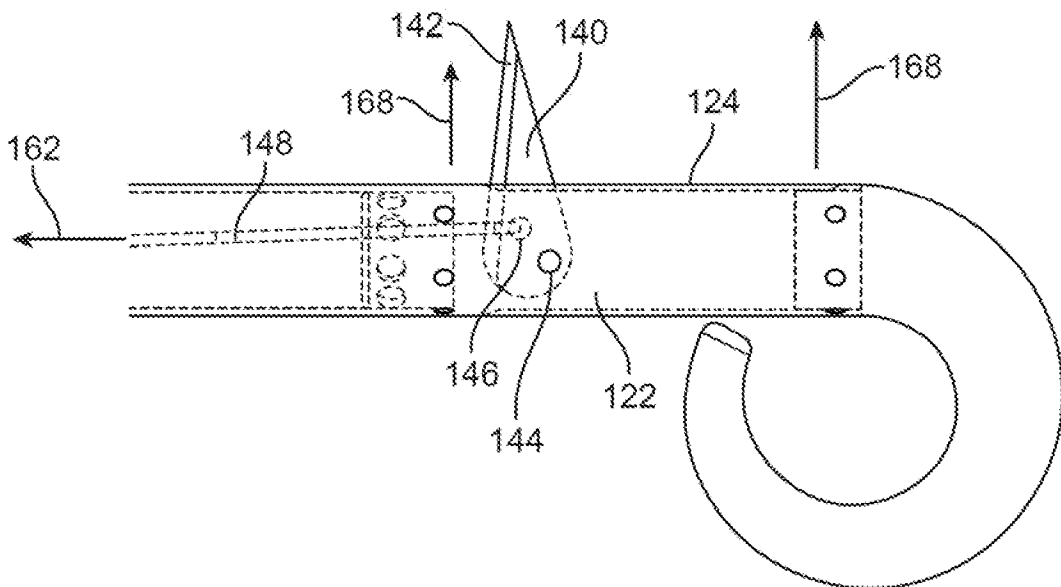


FIG. 2C

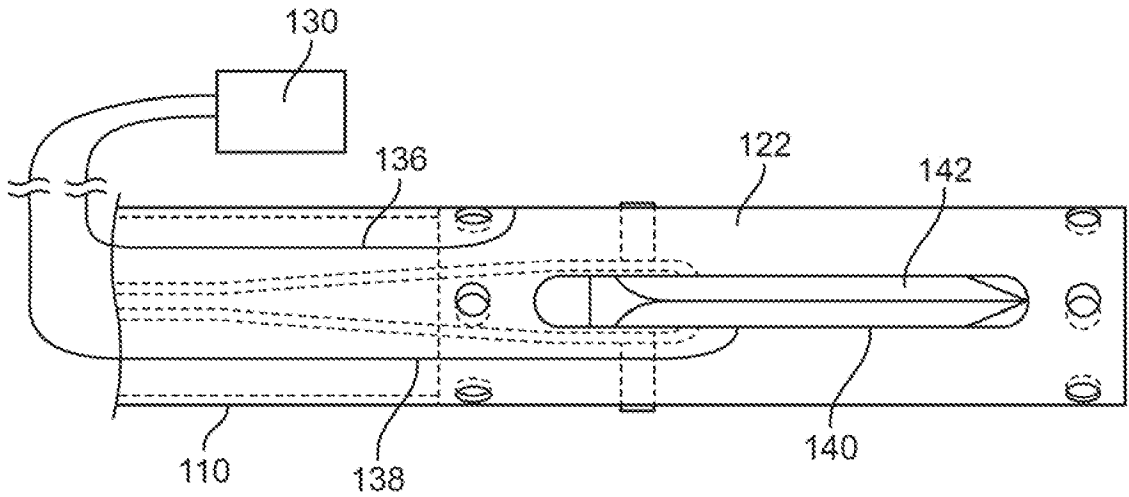


FIG. 3A

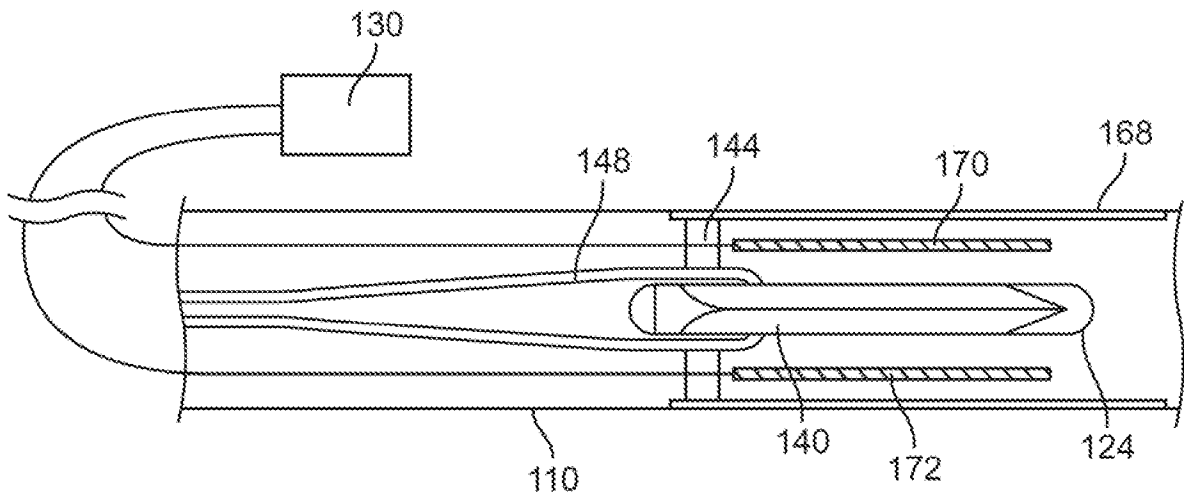


FIG. 3B

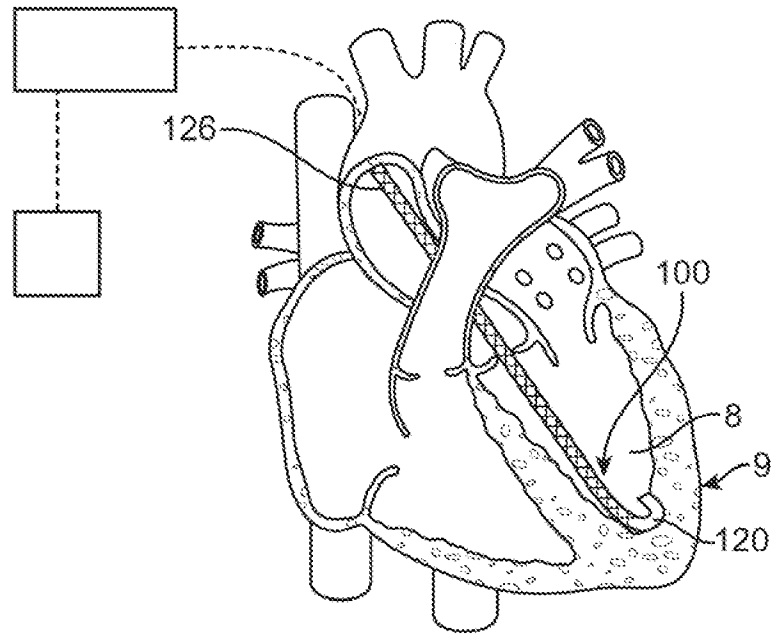


FIG. 4A

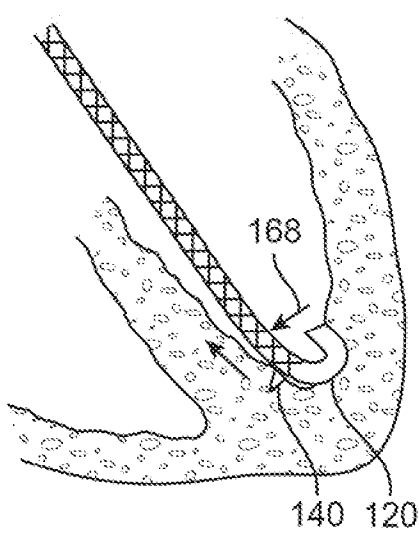


FIG. 4B

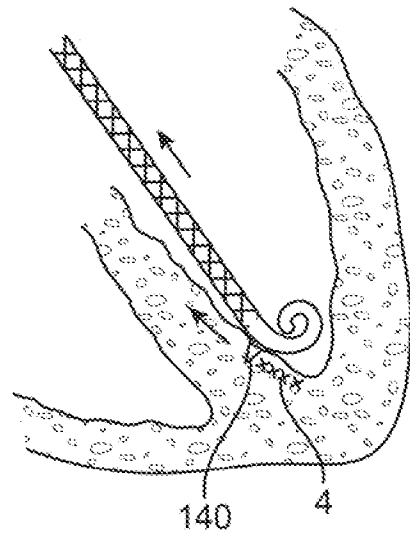


FIG. 4C

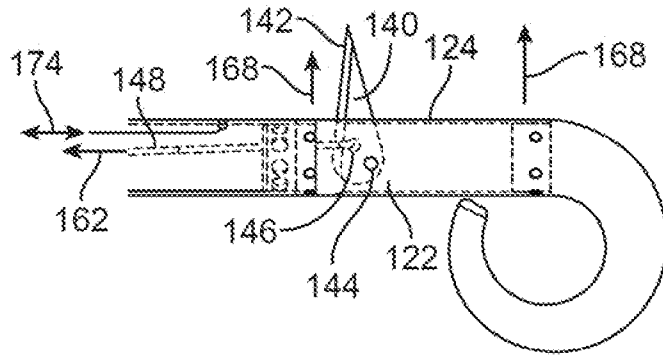


FIG. 5A

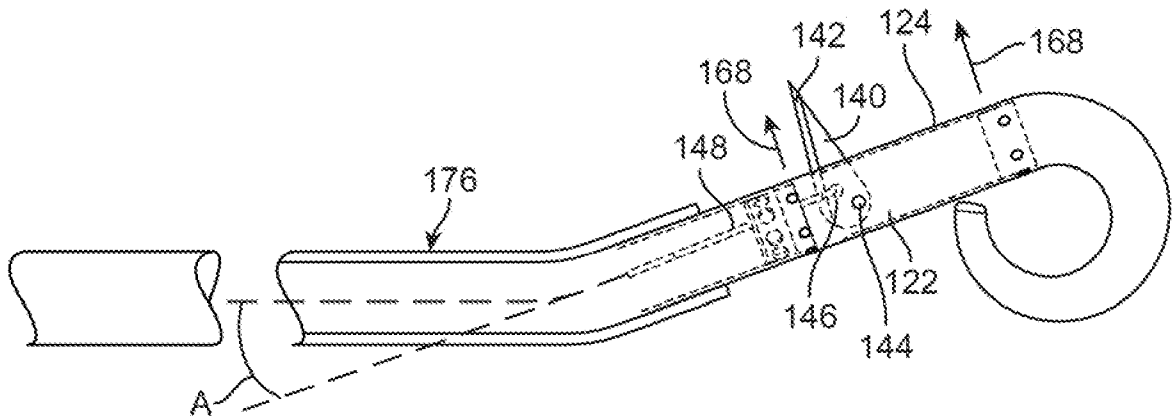


FIG. 5B

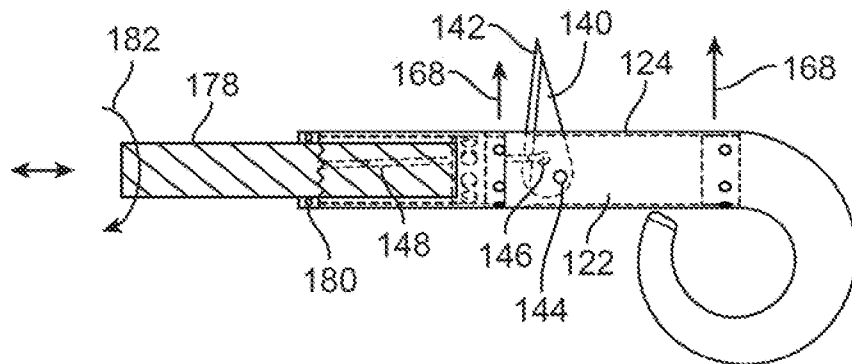


FIG. 5C

INTERNATIONAL SEARCH REPORT

International application No. PCT/US14/58438

A. CLASSIFICATION OF SUBJECT MATTER
 IPC(8) - A61B 17/22, 17/295, 17/32, 17/3207 (2014.01)
 CPC - A61B 17/32, 17/320016, 17/320783, 2017/2927, 2017/320791
 According to International Patent Classification (IPC) or to both national classification and IPC

B. FIELDS SEARCHED

Minimum documentation searched (classification system followed by classification symbols)
 IPC(8): A61B 17/22, 17/295, 17/32, 17/3207 (2014.01)
 CPC: A61B 17/32, 17/320016, 17/320783, 2017/2927, 2017/320791; USPC: 606/159, 167, 170, 172

Documentation searched other than minimum documentation to the extent that such documents are included in the fields searched

Electronic data base consulted during the international search (name of data base and, where practicable, search terms used)
 PatSeer (US, EP, WO, JP, CN, KR, CA, DE, FR, GB, ES, AU, IN, CH, AT, BR, TH, RU); Google; Google Scholar; Google Patent; ProQuest; Medline/PubMed. Search terms: actual*, atraumat*, catheter, cutting, flexibl*, handle*, member*, shaft*, tip

C. DOCUMENTS CONSIDERED TO BE RELEVANT

Category*	Citation of document, with indication, where appropriate, of the relevant passages	Relevant to claim No.
X -- Y	US 2009/0299394 A1 (SIMPSON, JB, et al.) December 03, 2009; abstract; figures 1, 3D, 4B, 18-19; paragraphs [0059]-[0060], [0062]-[0065], [0072]-[0079], [0086]-[0089], [0098]-[0100], [0106], [0114]-[0115]; claim 1	1-4, 8, 10, 12, 13, 15, 16, 18-25 ----- 5-7, 9, 11, 14, 17
Y	US 2013/0041373 A1 (LAUFER, MD) February 14, 2013; paragraphs [0004], [0020], [0054]	5-7
Y	US 5125928 A (PARINS, DJ, et al.) June 30, 1992; figures 1-4; column 5, lines 23-42	9
Y	WO 2007/106740 A2 (BAXANO, INC.) September 20, 2007; paragraph [0160]; figure 12	11
Y	US 5626595 A (SKLAR, MJ, et al.) May 06, 1997; figure 4; column 7, lines 8-31	14
Y	US 6582400 B1 (HAWK, M, et al.) June 24, 2003; column 2, lines 50-67; column 3, lines 1-8	17

Further documents are listed in the continuation of Box C.

* Special categories of cited documents:
 "A" document defining the general state of the art which is not considered to be of particular relevance
 "E" earlier application or patent but published on or after the international filing date
 "L" document which may throw doubts on priority claim(s) or which is cited to establish the publication date of another citation or other special reason (as specified)
 "O" document referring to an oral disclosure, use, exhibition or other means
 "P" document published prior to the international filing date but later than the priority date claimed
 "T" later document published after the international filing date or priority date and not in conflict with the application but cited to understand the principle or theory underlying the invention
 "X" document of particular relevance; the claimed invention cannot be considered novel or cannot be considered to involve an inventive step when the document is taken alone
 "Y" document of particular relevance; the claimed invention cannot be considered to involve an inventive step when the document is combined with one or more other such documents, such combination being obvious to a person skilled in the art
 "&" document member of the same patent family

Date of the actual completion of the international search 24 December 2014 (24.12.2014)	Date of mailing of the international search report 09 JAN 2015
--	--

Name and mailing address of the ISA/US Mail Stop PCT, Attn: ISA/US, Commissioner for Patents P.O. Box 1450, Alexandria, Virginia 22313-1450 Facsimile No. 571-273-3201	Authorized officer: Shane Thomas PCT Helpdesk: 571-272-4300 PCT OSP: 571-272-7774
---	--