



US00D747788S

(12) **United States Design Patent**
Baker

(10) **Patent No.:** **US D747,788 S**

(45) **Date of Patent:** **** Jan. 19, 2016**

- (54) **SMALL SCALE FIREPLACE**
- (71) Applicant: **Heat Surge, LLC**, Canton, OH (US)
- (72) Inventor: **David M. Baker**, Louisville, OH (US)
- (73) Assignee: **Heat Surge, LLC**, Canton, OH (US)

(**) Term: **14 Years**

(21) Appl. No.: **29/447,215**

(22) Filed: **Mar. 1, 2013**

(51) **LOC (10) Cl.** **23-03**

(52) **U.S. Cl.**
USPC **D23/344**; D23/332

(58) **Field of Classification Search**
USPC D23/314, 317, 329, 330, 332, 342, 341,
D23/339, 338, 335, 343, 344, 403-410,
D23/415-422, 499, 345, 347, 349; 126/500,
126/520, 544, 247, 201, 258, 512, 540, 543,
126/548, 555, 298; 362/231
See application file for complete search history.

(56) **References Cited**

U.S. PATENT DOCUMENTS

D561,317 S * 2/2008 Ou et al. D23/344
D624,638 S * 9/2010 Gallo et al. D23/343

D625,397 S * 10/2010 Gallo D23/343
D631,533 S * 1/2011 Gallo D23/343
2005/0076903 A1 * 4/2005 Briere 126/503
2007/0215144 A1 * 9/2007 Husted et al. 126/512
2010/0307477 A1 * 12/2010 Gallo et al. 126/500
2011/0162636 A1 * 7/2011 Gallo 126/523
2014/0318529 A1 * 10/2014 Nielsen 126/544

* cited by examiner

Primary Examiner — T. Chase Nelson

Assistant Examiner — Ania Aman

(74) *Attorney, Agent, or Firm* — Sand & Sebolt

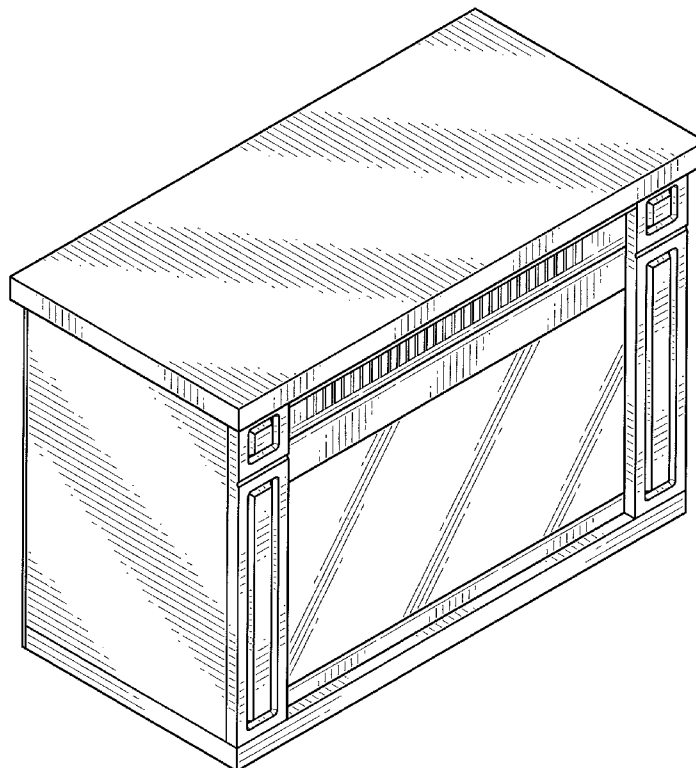
(57) **CLAIM**

The ornamental design for a small scale fireplace, as shown and described.

DESCRIPTION

FIG. 1 is an isometric view of a small scale fireplace in accordance with my design
FIG. 2 is a front elevational view;
FIG. 3 is a rear (back) elevational view;
FIG. 4 is a left side elevational view;
FIG. 5 is a right side elevational view;
FIG. 6 is a top plan view; and,
FIG. 7 is a bottom plan view.

1 Claim, 6 Drawing Sheets



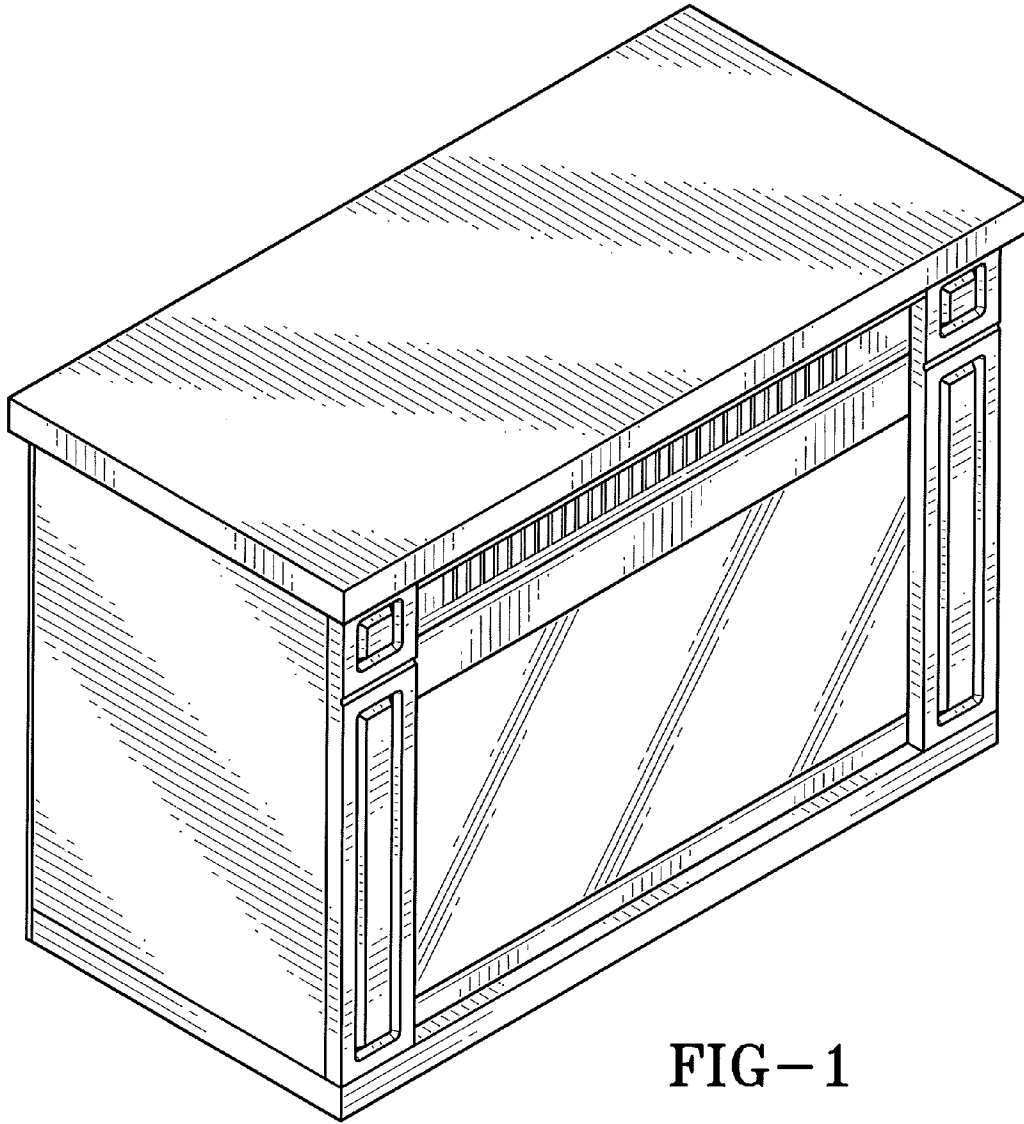


FIG-1

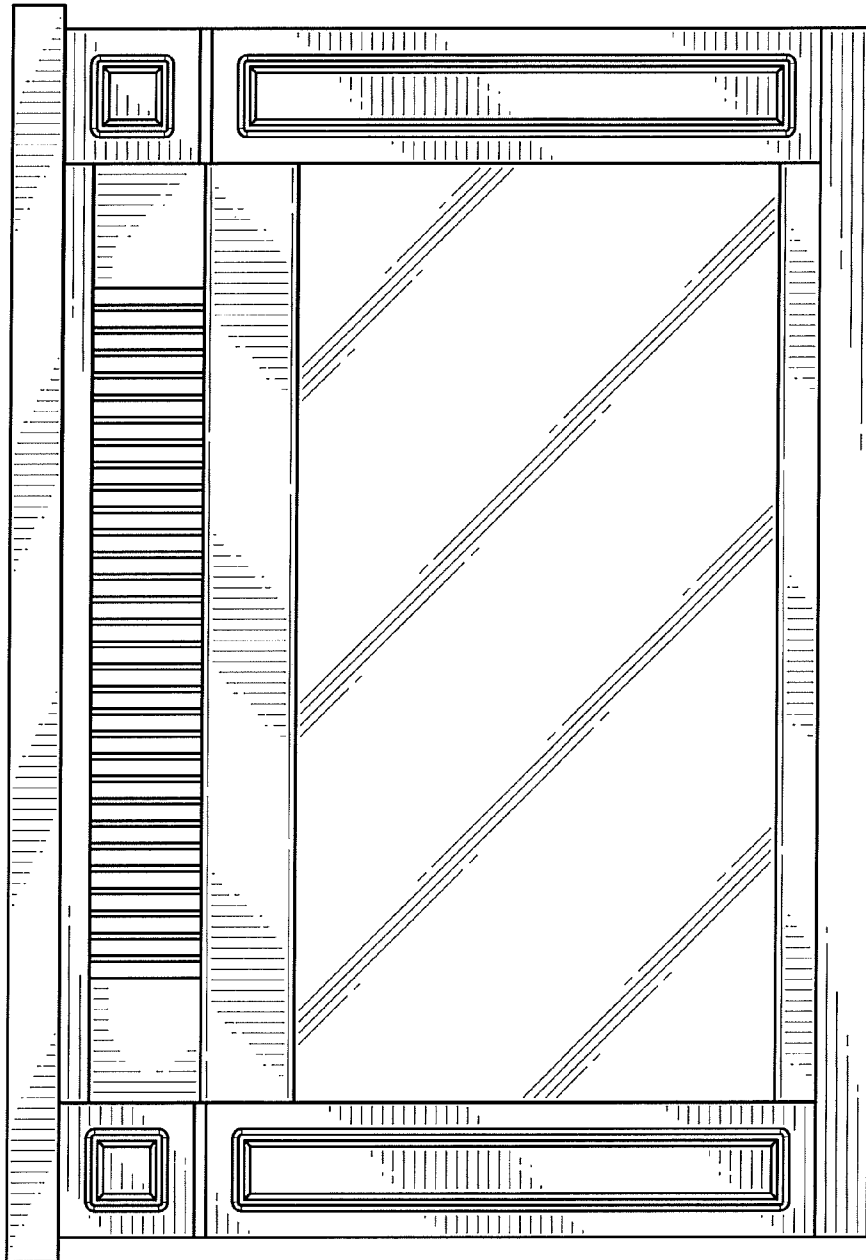


FIG-2



FIG-3

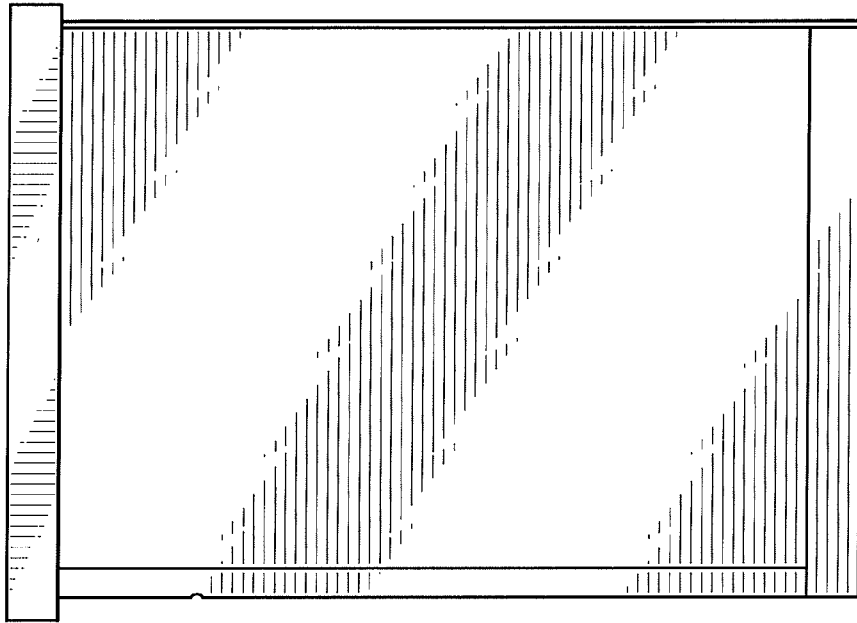


FIG-5

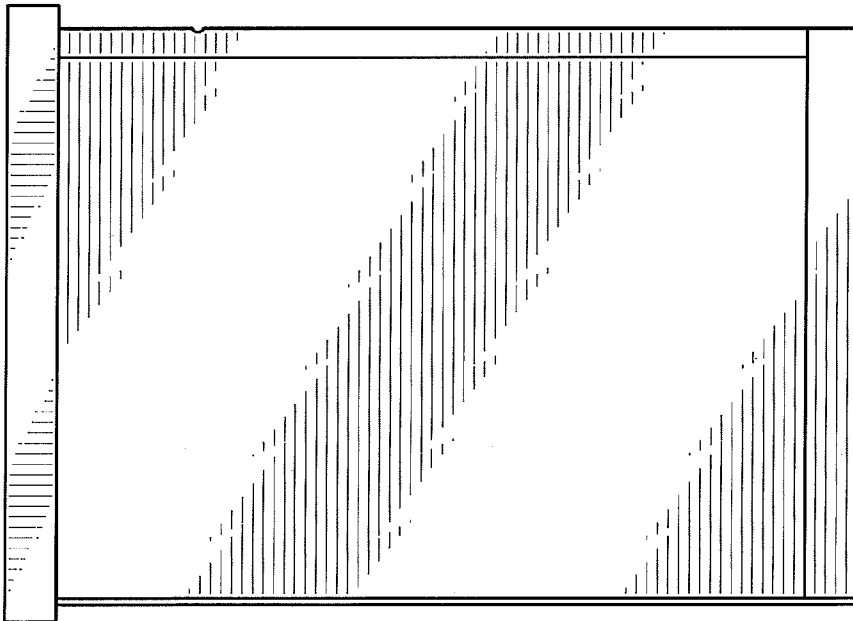


FIG-4

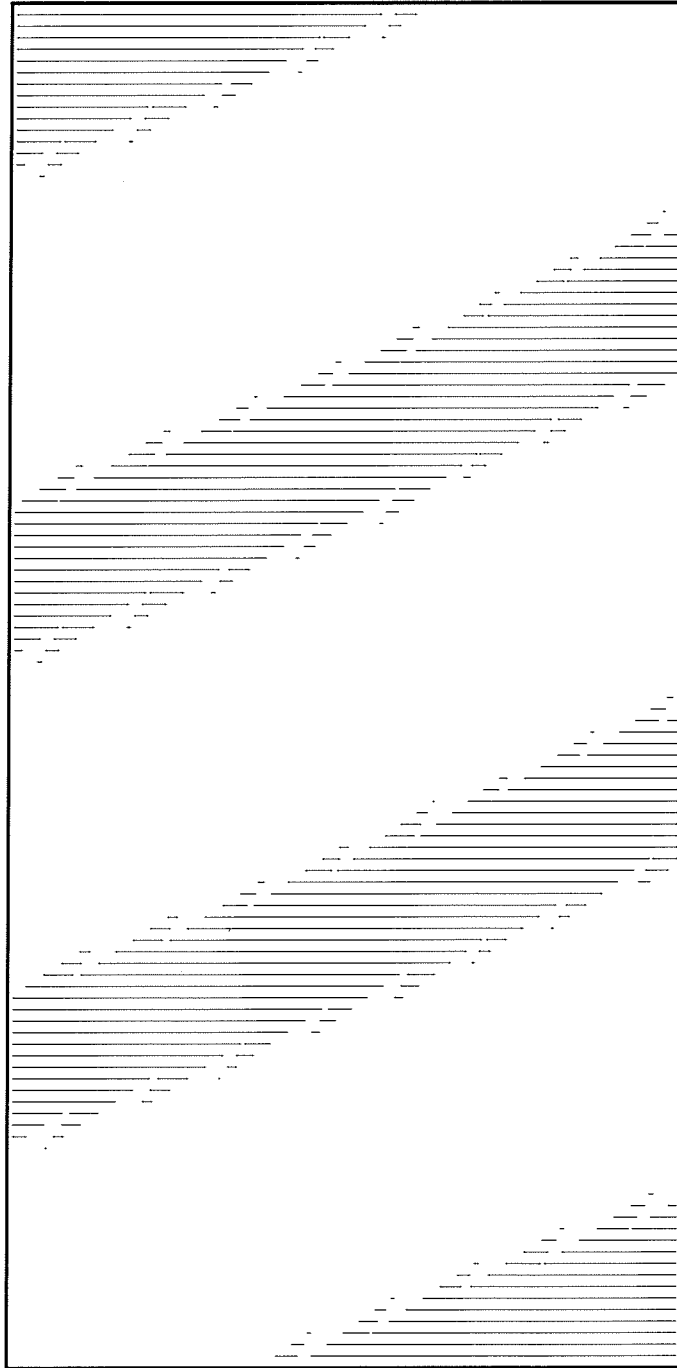


FIG-6

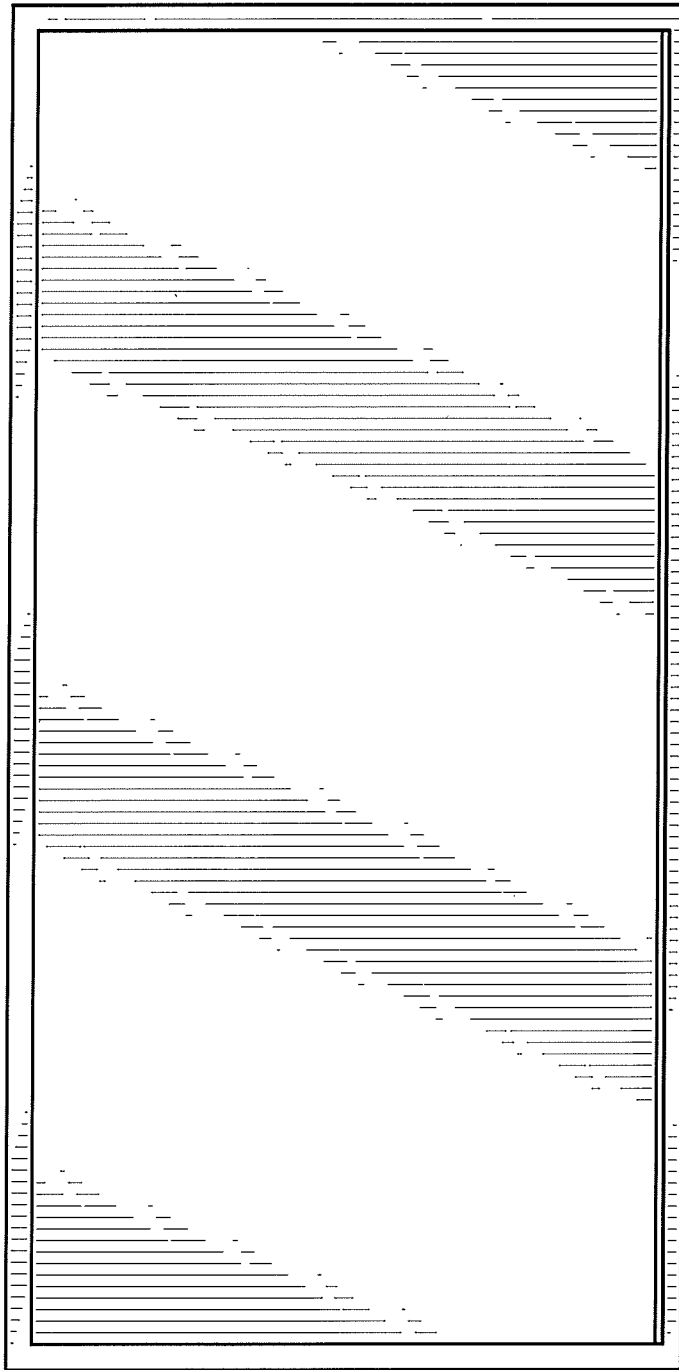


FIG-7