



- (51) **International Patent Classification:**  
*F25D 23/02* (2006.01) *F25D 25/02* (2006.01)  
*F25D 23/04* (2006.01)
- (21) **International Application Number:** PCT/EP2011/069879
- (22) **International Filing Date:** 10 November 2011 (10.11.2011)
- (25) **Filing Language:** English
- (26) **Publication Language:** English
- (30) **Priority Data:**  
A 2010/09480 12 November 2010 (12.11.2010) TR
- (71) **Applicant (for all designated States except US):** ARCELIK ANONIM SIRKETI [TR/TR]; E5 Ankara Asfalti Uzeri, Tuzla, 34950 Istanbul (TR).
- (72) **Inventors; and**
- (75) **Inventors/Applicants (for US only):** CELIK, Kadir Ridvan [TR/TR]; E5 Ankara Asfalti Uzeri, Tuzla, 34950 Istanbul (TR). ALTAY, Elif [TR/TR]; E5 Ankara Asfalti Uzeri, Tuzla, 34950 Istanbul (TR).
- (81) **Designated States (unless otherwise indicated, for every kind of national protection available):** AE, AG, AL, AM, AO, AT, AU, AZ, BA, BB, BG, BH, BR, BW, BY, BZ, CA, CH, CL, CN, CO, CR, CU, CZ, DE, DK, DM, DO,

DZ, EC, EE, EG, ES, FI, GB, GD, GE, GH, GM, GT, HN, HR, HU, ID, IL, IN, IS, JP, KE, KG, KM, KN, KP, KR, KZ, LA, LC, LK, LR, LS, LT, LU, LY, MA, MD, ME, MG, MK, MN, MW, MX, MY, MZ, NA, NG, NI, NO, NZ, OM, PE, PG, PH, PL, PT, QA, RO, RS, RU, RW, SC, SD, SE, SG, SK, SL, SM, ST, SV, SY, TH, TJ, TM, TN, TR, TT, TZ, UA, UG, US, UZ, VC, VN, ZA, ZM, ZW.

- (84) **Designated States (unless otherwise indicated, for every kind of regional protection available):** ARIPO (BW, GH, GM, KE, LR, LS, MW, MZ, NA, RW, SD, SL, SZ, TZ, UG, ZM, ZW), Eurasian (AM, AZ, BY, KG, KZ, MD, RU, TJ, TM), European (AL, AT, BE, BG, CH, CY, CZ, DE, DK, EE, ES, FI, FR, GB, GR, HR, HU, IE, IS, IT, LT, LU, LV, MC, MK, MT, NL, NO, PL, PT, RO, RS, SE, SI, SK, SM, TR), OAPI (BF, BJ, CF, CG, CI, CM, GA, GN, GQ, GW, ML, MR, NE, SN, TD, TG).

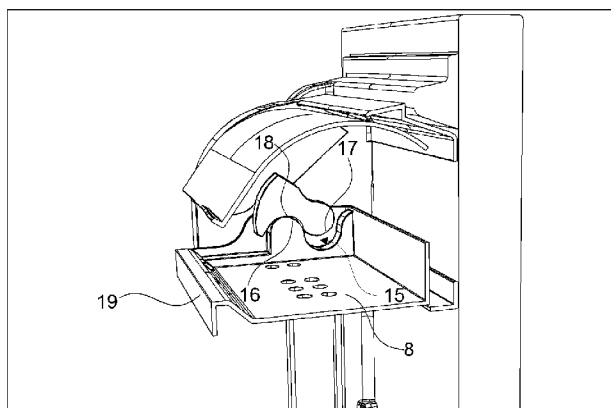
**Published:**

- with international search report (Art. 21(3))
- before the expiration of the time limit for amending the claims and to be republished in the event of receipt of amendments (Rule 48.2(h))

- (88) **Date of publication of the international search report:**  
23 August 2012

(54) **Title:** A REFRIGERATOR COMPRISING A SLIDABLE DOOR SHELF WITH A ROTATING COVER

Figure 6



(57) **Abstract:** The present invention relates to refrigerator (1) comprising a body (2), a door (3) which provides access into the body (2), two flanges (4), disposed on opposite sides of the door (3), extending into the body (2) when the door (3) is closed, two supporters (5) disposed on the flange (4), facing each other oppositely, at least one channel (6) disposed on the supporter (5), extending in the horizontal direction, at least one shelf (8) having a slide (7) disposed on the side wall thereof, borne in the channel (6), and that can make back and forth linear motion in the horizontal direction by the motion of the slide (7) in the channel (6) and a cover (9) having a closed position wherein it covers shelf (8) and an open position to which it shifts by making angular motion, wherein access into the shelf (8) is provided.



**INTERNATIONAL SEARCH REPORT**

International application No  
PCT/EP2011/069879

**A. CLASSIFICATION OF SUBJECT MATTER**  
 INV. F25D23/02 F25D23/04 F25D25/02  
 ADD.  
 According to International Patent Classification (IPC) or to both national classification and IPC

**B. FIELDS SEARCHED**  
 Minimum documentation searched (classification system followed by classification symbols)  
 F25D

Documentation searched other than minimum documentation to the extent that such documents are included in the fields searched

Electronic data base consulted during the international search (name of data base and, where practicable, search terms used)  
 EPO-Internal, WPI Data

**C. DOCUMENTS CONSIDERED TO BE RELEVANT**

Category*	Citation of document, with indication, where appropriate, of the relevant passages	Relevant to claim No.
X	US 2006/061247 A1 (LEE HANG-BOK [KR] ET AL) 23 March 2006 (2006-03-23) abstract; figures 3,4 -----	1-9
X	US 2008/271475 A1 (WUESTHOFF EDWARD P [US] ET AL) 6 November 2008 (2008-11-06) paragraph [0067]; figure 11 -----	1-9
X	US 5 193 892 A (SWINDELL THOMAS R [US]) 16 March 1993 (1993-03-16) abstract; figures 1,4,4a,4b -----	1-9

Further documents are listed in the continuation of Box C.

See patent family annex.

\* Special categories of cited documents :

<p>"A" document defining the general state of the art which is not considered to be of particular relevance</p> <p>"E" earlier application or patent but published on or after the international filing date</p> <p>"L" document which may throw doubts on priority claim(s) or which is cited to establish the publication date of another citation or other special reason (as specified)</p> <p>"O" document referring to an oral disclosure, use, exhibition or other means</p> <p>"P" document published prior to the international filing date but later than the priority date claimed</p>	<p>"T" later document published after the international filing date or priority date and not in conflict with the application but cited to understand the principle or theory underlying the invention</p> <p>"X" document of particular relevance; the claimed invention cannot be considered novel or cannot be considered to involve an inventive step when the document is taken alone</p> <p>"Y" document of particular relevance; the claimed invention cannot be considered to involve an inventive step when the document is combined with one or more other such documents, such combination being obvious to a person skilled in the art</p> <p>"&amp;" document member of the same patent family</p>
---	---

Date of the actual completion of the international search <b>27 June 2012</b>	Date of mailing of the international search report <b>06/07/2012</b>
--	---

Name and mailing address of the ISA/ European Patent Office, P.B. 5818 Patentlaan 2 NL - 2280 HV Rijswijk Tel. (+31-70) 340-2040, Fax: (+31-70) 340-3016	Authorized officer  <b>Salaün, Eric</b>
--	---

**INTERNATIONAL SEARCH REPORT**

Information on patent family members

International application No

PCT/EP2011/069879

Patent document cited in search report	Publication date	Patent family member(s)	Publication date
US 2006061247	A1	23-03-2006	
		KR 20060027445 A	28-03-2006
		US 2006061247 A1	23-03-2006
		US 2008180012 A1	31-07-2008
		US 2009146538 A1	11-06-2009
-----			
US 2008271475	A1	06-11-2008	NONE
-----			
US 5193892	A	16-03-1993	
		CA 2067634 A1	07-11-1992
		US 5193892 A	16-03-1993
-----			