



(12) **United States Design Patent**  
**Li**

(10) **Patent No.:** **US D1,062,098 S**  
(45) **Date of Patent:** **\*\* Feb. 11, 2025**

- (54) **EAR TAG**
- (71) Applicant: **Shen Li**, Guangzhou (CN)
- (72) Inventor: **Shen Li**, Guangzhou (CN)
- (\*\*) Term: **15 Years**
- (21) Appl. No.: **29/971,032**
- (22) Filed: **Oct. 31, 2024**
- (30) **Foreign Application Priority Data**  
Sep. 23, 2024 (CN) ..... 202430603709.5
- (51) **LOC (15) Cl.** ..... **30-08**
- (52) **U.S. Cl.**  
USPC ..... **D30/155**
- (58) **Field of Classification Search**  
USPC ..... D30/155  
CPC .... A01K 11/001; A01K 11/004; A01K 11/006  
See application file for complete search history.

- 2015/0223431 A1\* 8/2015 Steinfort ..... A01K 11/006  
235/492
- 2018/0027765 A1\* 2/2018 Butler ..... A01K 11/004
- 2023/0404031 A1\* 12/2023 Chang ..... A01K 11/004
- 2024/0138371 A1\* 5/2024 Gansel ..... A01K 11/004
- 2024/0206430 A1\* 6/2024 Olsson ..... A01K 11/004

**OTHER PUBLICATIONS**

“Sequential Livestock Ear Tags Set” available Jun. 21, 2024, [online], [site visited Nov. 29, 2024]. Retrieved from Internet, URL:<https://www.amazon.com/Sequential-Livestock-Identification-Vibrant-Durably/dp/B0D7Q2X7YW> (Year: 2024).\*

“TPU Ear Tags” available Mar. 24, 2022, [online], [site visited Nov. 29, 2024]. Retrieved from Internet, URL:[https://www.amazon.com/MODUODUO-100pcs-Identification-Livestock-Animals/dp/B09WDDS6RF/ref=sr\\_1\\_61\\_sspa](https://www.amazon.com/MODUODUO-100pcs-Identification-Livestock-Animals/dp/B09WDDS6RF/ref=sr_1_61_sspa) (Year: 2022).\*

“Moocall RFID Ear Tags” available Nov. 29, 2024, [online], [site visited Nov. 29, 2024]. Retrieved from Internet, URL:<https://www.moocall.com/product/moocall-rfid-25-eartags/> (Year: 2024).\*

\* cited by examiner

*Primary Examiner* — Katrina N Gonzalez

(56) **References Cited**  
**U.S. PATENT DOCUMENTS**

- 344,241 A \* 6/1886 Trump ..... A01K 11/001  
40/302
- 347,850 A \* 8/1886 Weedon ..... A01K 11/001  
24/105
- 3,214,856 A \* 11/1965 Brierley ..... A01K 11/001  
40/301
- 4,250,643 A \* 2/1981 Mackenzie ..... A01K 11/001  
40/301
- D299,038 S \* 12/1988 van Amelsfort ..... D20/27
- D343,261 S \* 1/1994 Eberhardt ..... D30/155
- D395,060 S \* 6/1998 Walsh ..... D21/386
- D478,833 S \* 8/2003 Belden, Jr. .... D10/106.91
- D990,063 S 6/2023 Cohen et al.
- 2006/0047287 A1\* 3/2006 Steinfort ..... A01K 11/004  
606/116

(57) **CLAIM**

The ornamental design for an ear tag, as shown and described.

**DESCRIPTION**

FIG. 1 is a rear, right perspective view of an ear tag, showing my new design;

FIG. 2 is a front, left perspective view thereof;

FIG. 3 is a front elevation view thereof;

FIG. 4 is a rear elevation view thereof;

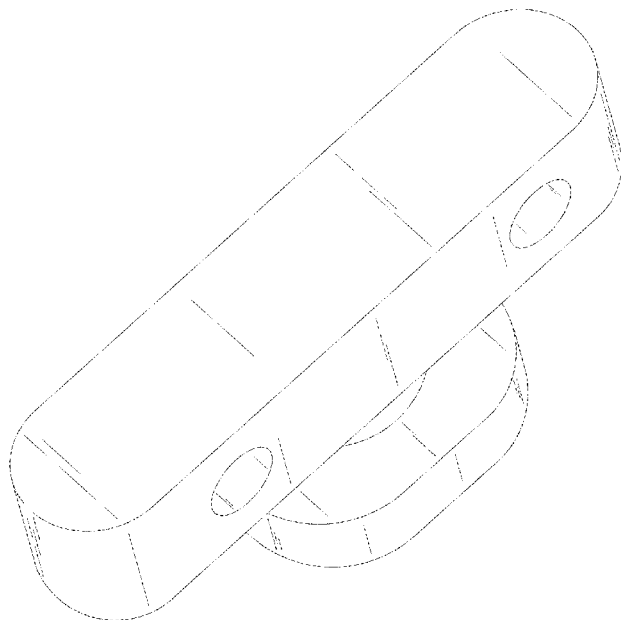
FIG. 5 is a left side elevation view thereof;

FIG. 6 is a right side elevation view thereof;

FIG. 7 is a top plan view thereof; and,

FIG. 8 is a bottom plan view thereof.

**1 Claim, 8 Drawing Sheets**



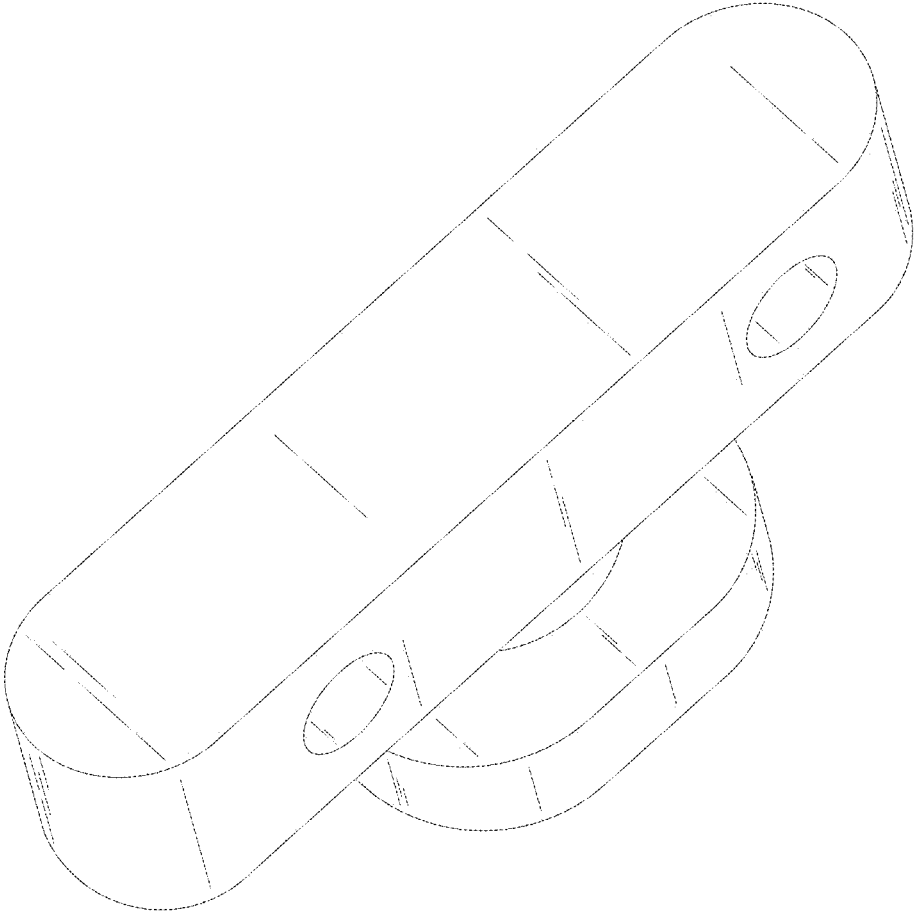


FIG. 1

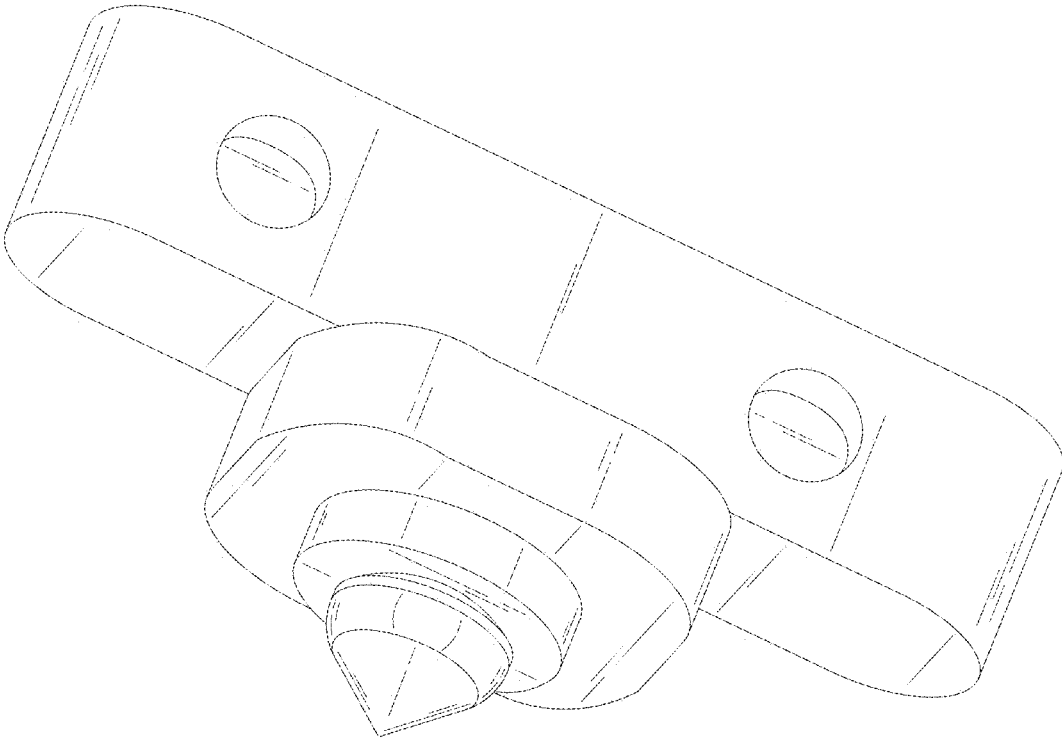


FIG. 2

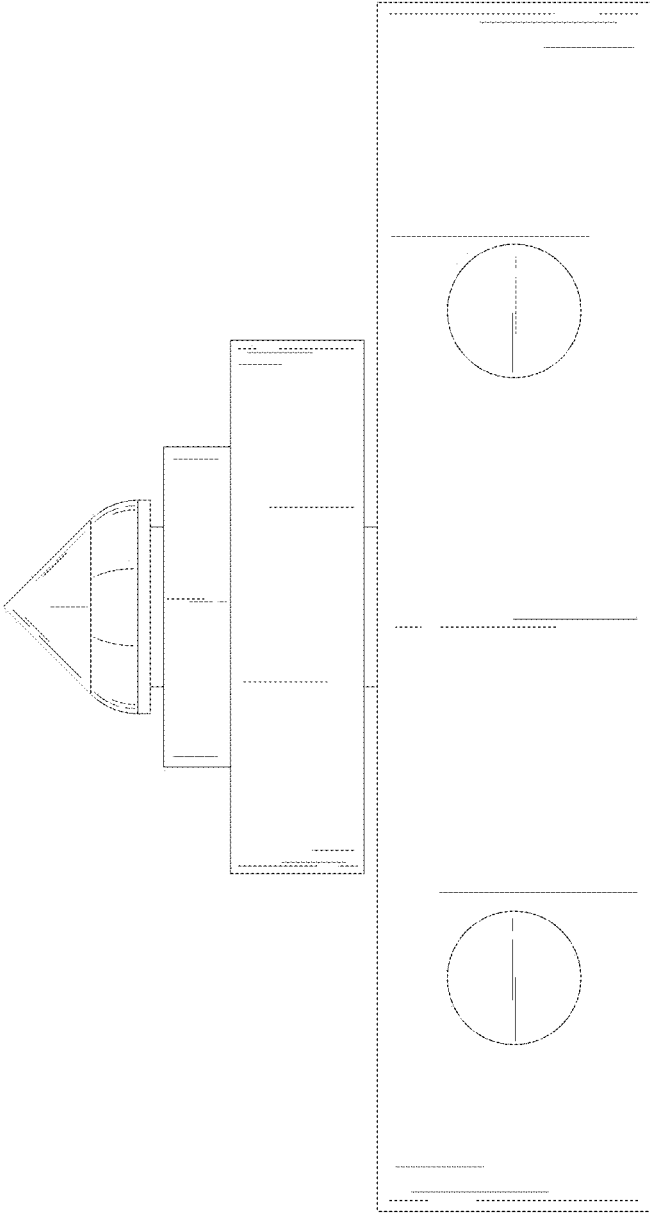


FIG. 3

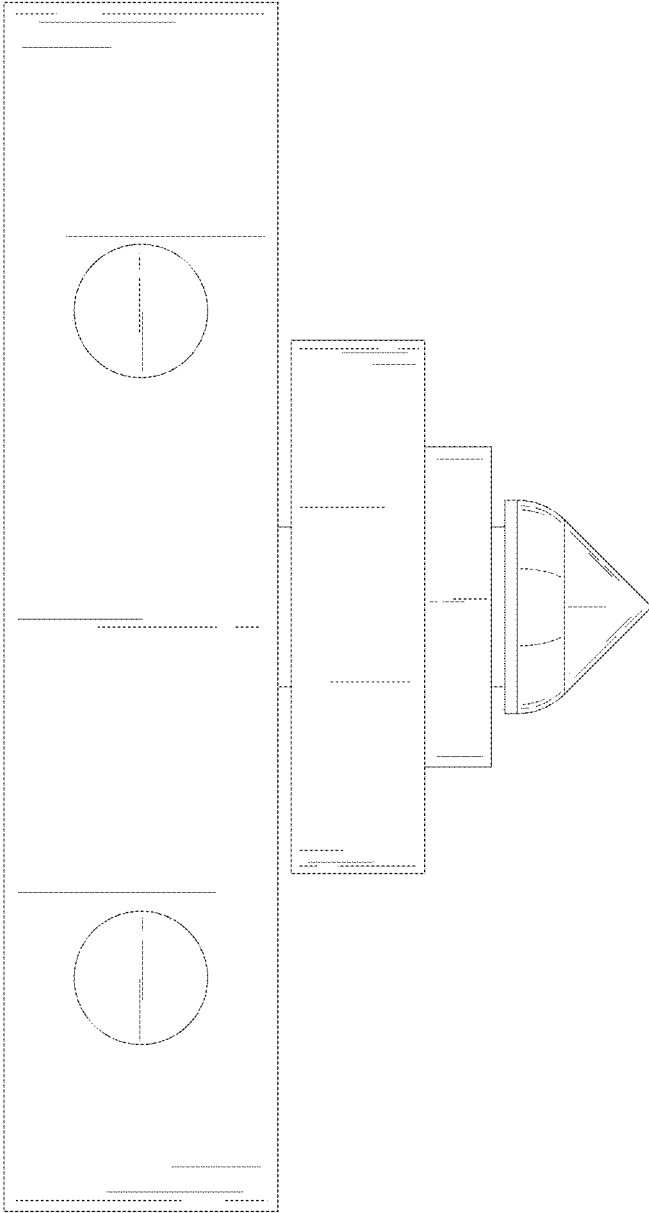


FIG. 4

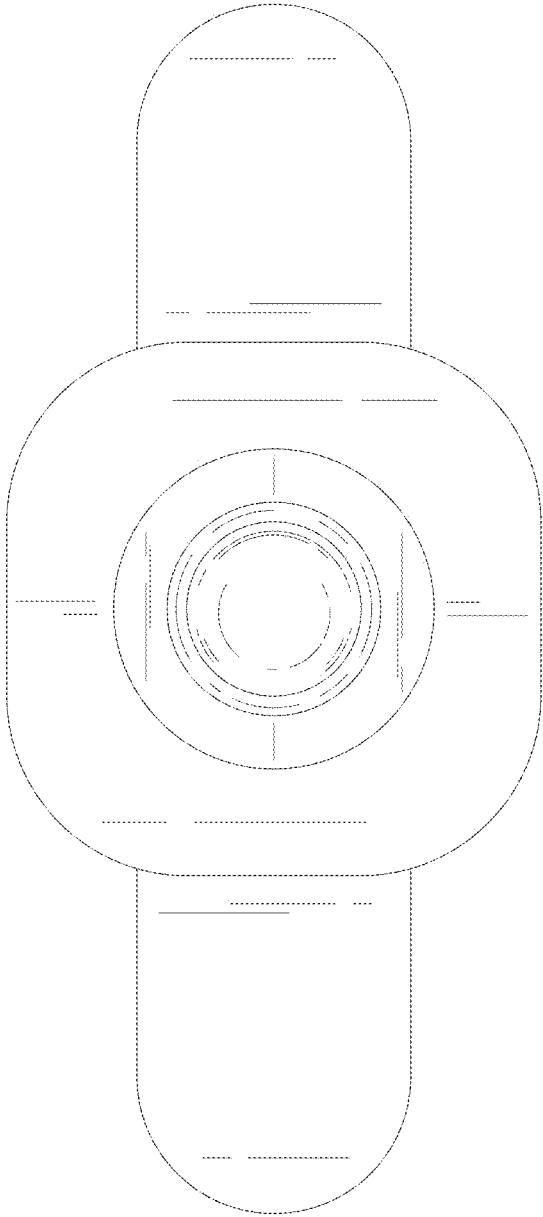


FIG. 5

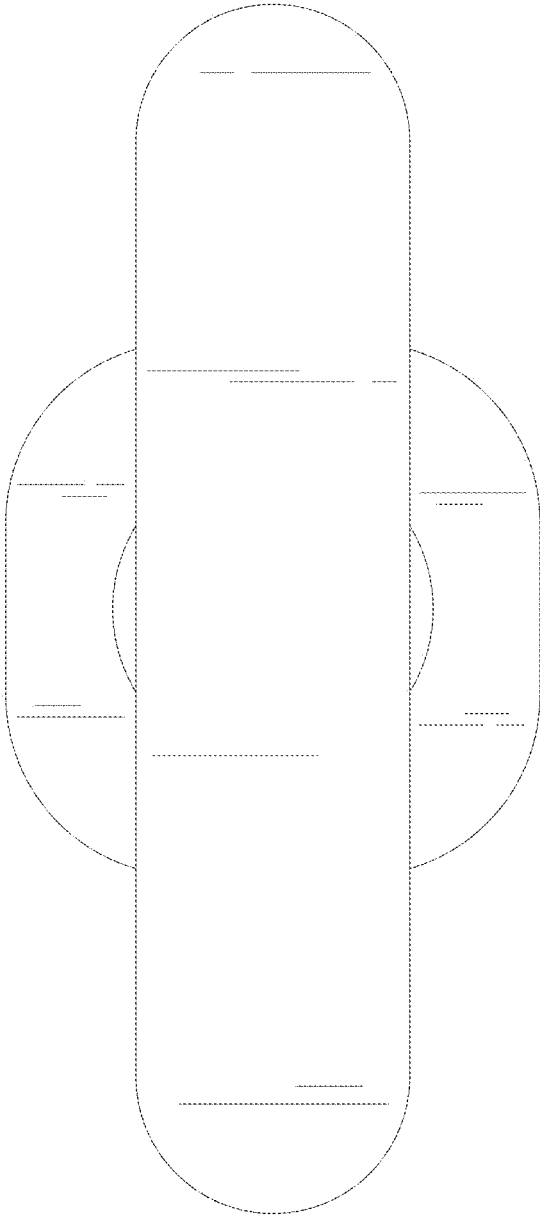


FIG. 6

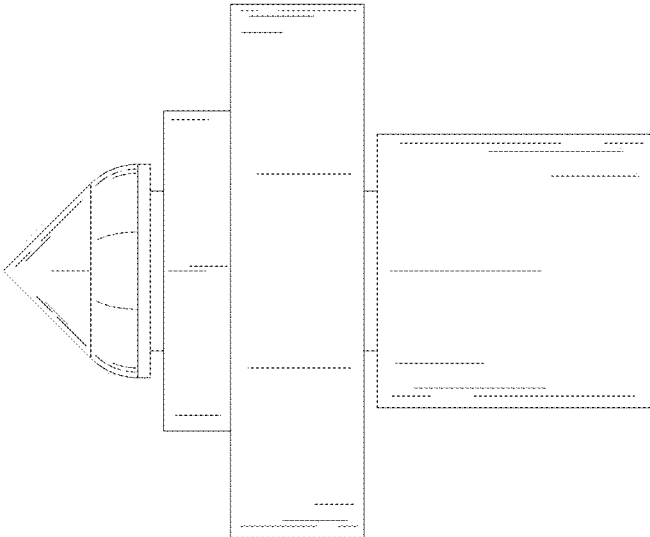


FIG. 7

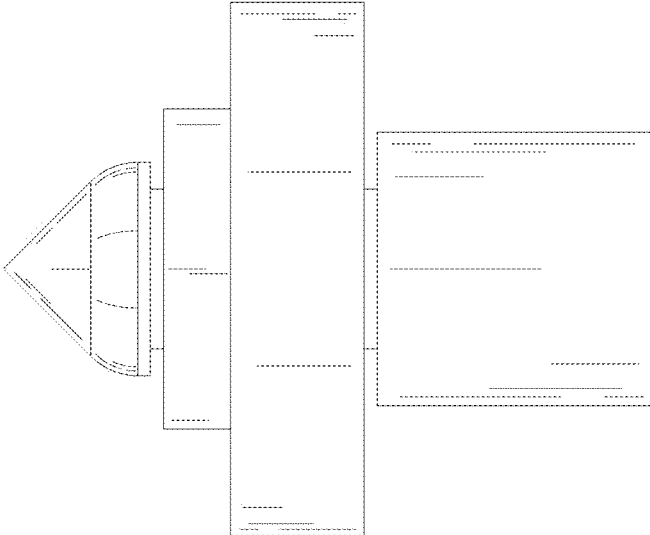


FIG. 8