



US00D741508S

(12) **United States Design Patent**
Mishin

(10) **Patent No.:** **US D741,508 S**

(45) **Date of Patent:** **** Oct. 20, 2015**

(54) **FLOOD LAMP**

(71) Applicant: **SORAA, INC.**, Fremont, CA (US)

(72) Inventor: **Artem Mishin**, Pacifica, CA (US)

(73) Assignee: **Soraa, Inc.**, Fremont, CA (US)

(**) Term: **14 Years**

(21) Appl. No.: **29/495,625**

(22) Filed: **Jul. 2, 2014**

(51) **LOC (10) Cl.** **26-04**

(52) **U.S. Cl.**
USPC **D26/2**

(58) **Field of Classification Search**
USPC D26/1-4; 313/313, 315, 316, 317, 318,
313/493; 315/52, 53, 56, 57, 58
See application file for complete search history.

(56) **References Cited**

U.S. PATENT DOCUMENTS

- D433,166 S * 10/2000 Noll D26/2
- D435,306 S * 12/2000 McBride D26/2
- D498,007 S * 11/2004 Bobel D26/2

- D534,664 S * 1/2007 Geens D26/2
- D545,456 S * 6/2007 Foo D26/2
- D586,484 S * 2/2009 Liu et al. D26/2
- D601,722 S * 10/2009 Foo D26/2
- D634,035 S * 3/2011 Kim et al. D26/2

* cited by examiner

Primary Examiner — Marcus Jackson

(74) *Attorney, Agent, or Firm* — Saul Ewing LLP

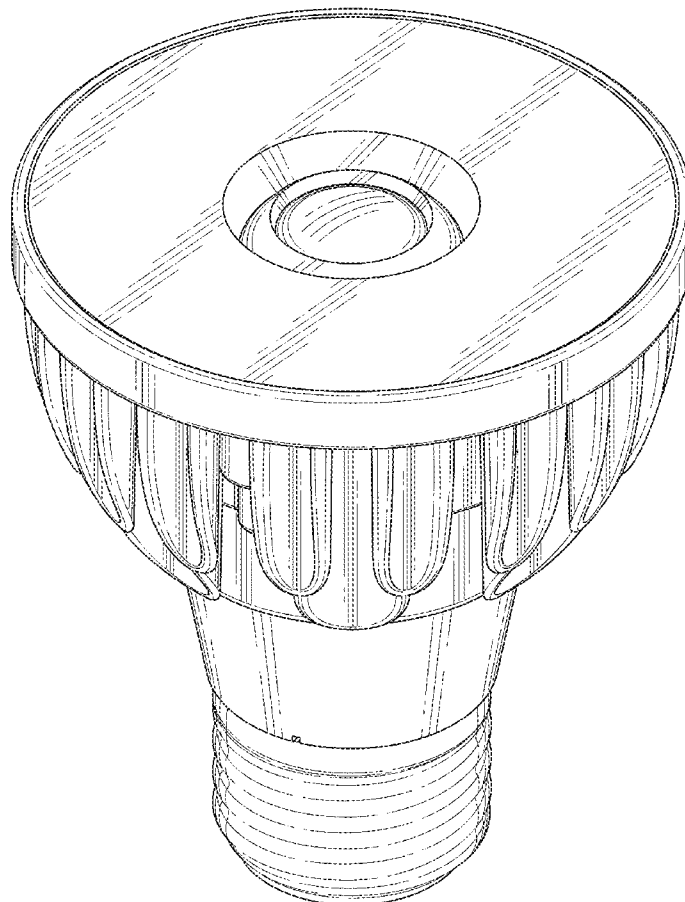
(57) **CLAIM**

The ornamental design for flood lamp, as shown and described.

DESCRIPTION

FIG. 1 is a perspective view of a flood lamp showing a first embodiment of our new design;
 FIG. 2 is a side elevational view from a front side thereof;
 FIG. 3 is a side elevational view from a rear side thereof;
 FIG. 4 is a side elevational view from a left side thereof;
 FIG. 5 is a side elevational view from a right side thereof;
 FIG. 6 is a top plan view thereof; and,
 FIG. 7 is a bottom plan view thereof.
 The broken lines in the figures represent unclaimed subject matter and form no part of the claimed design.

1 Claim, 7 Drawing Sheets



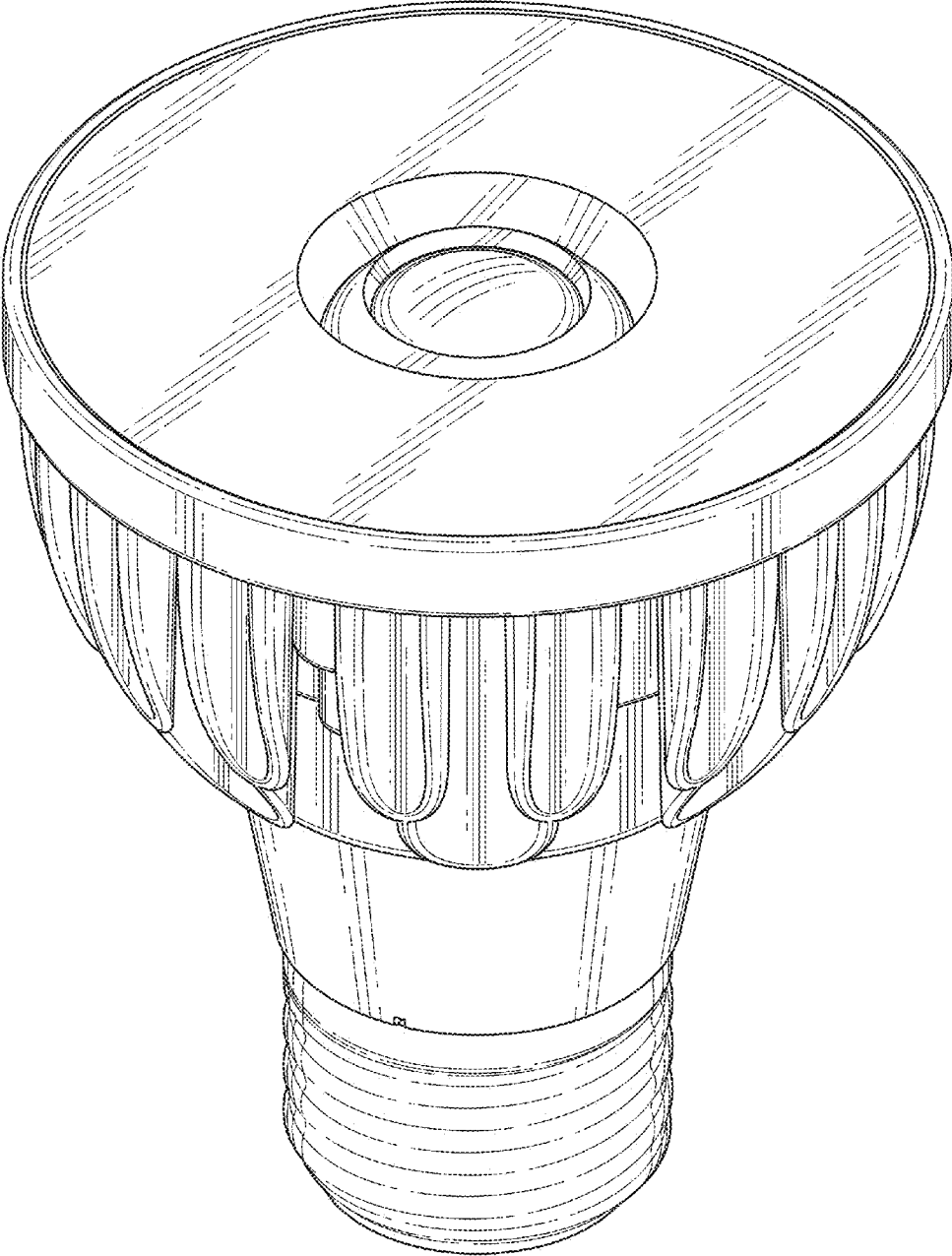


FIG. 1

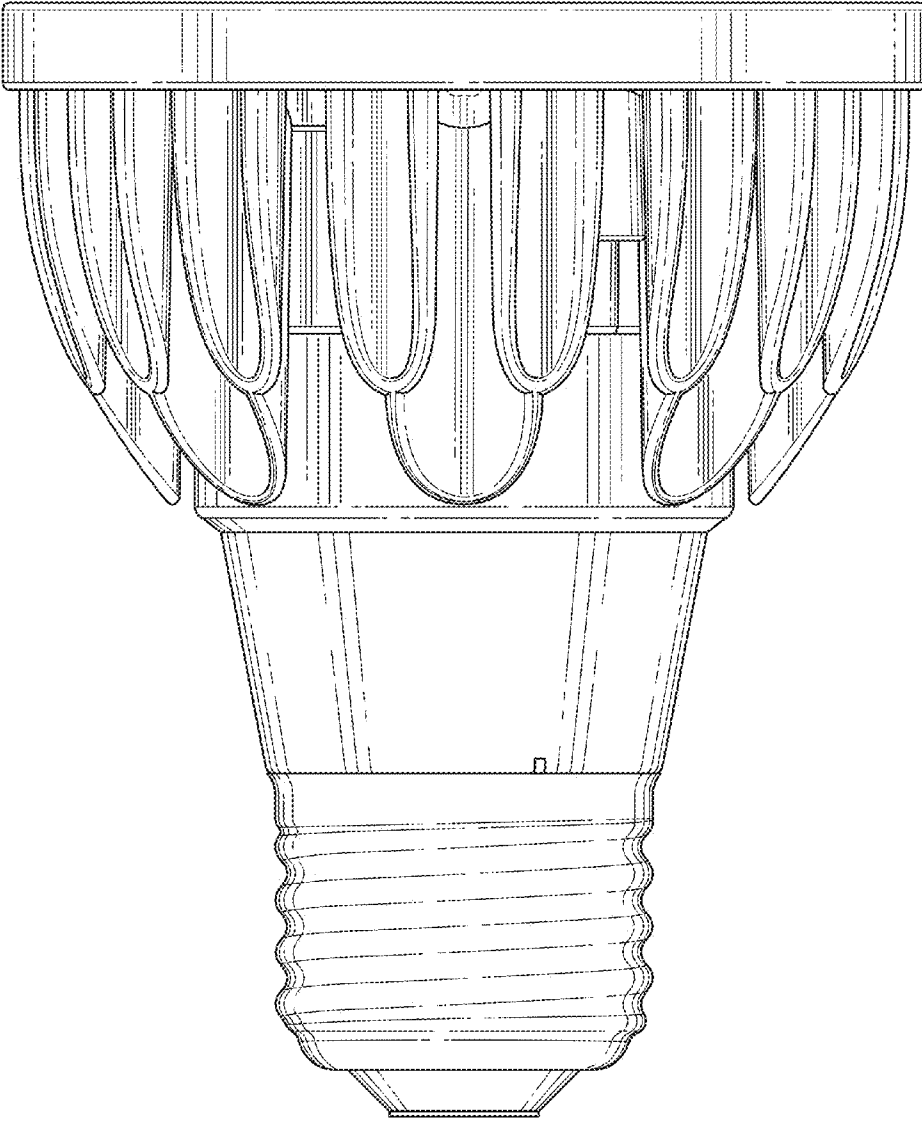


FIG. 2

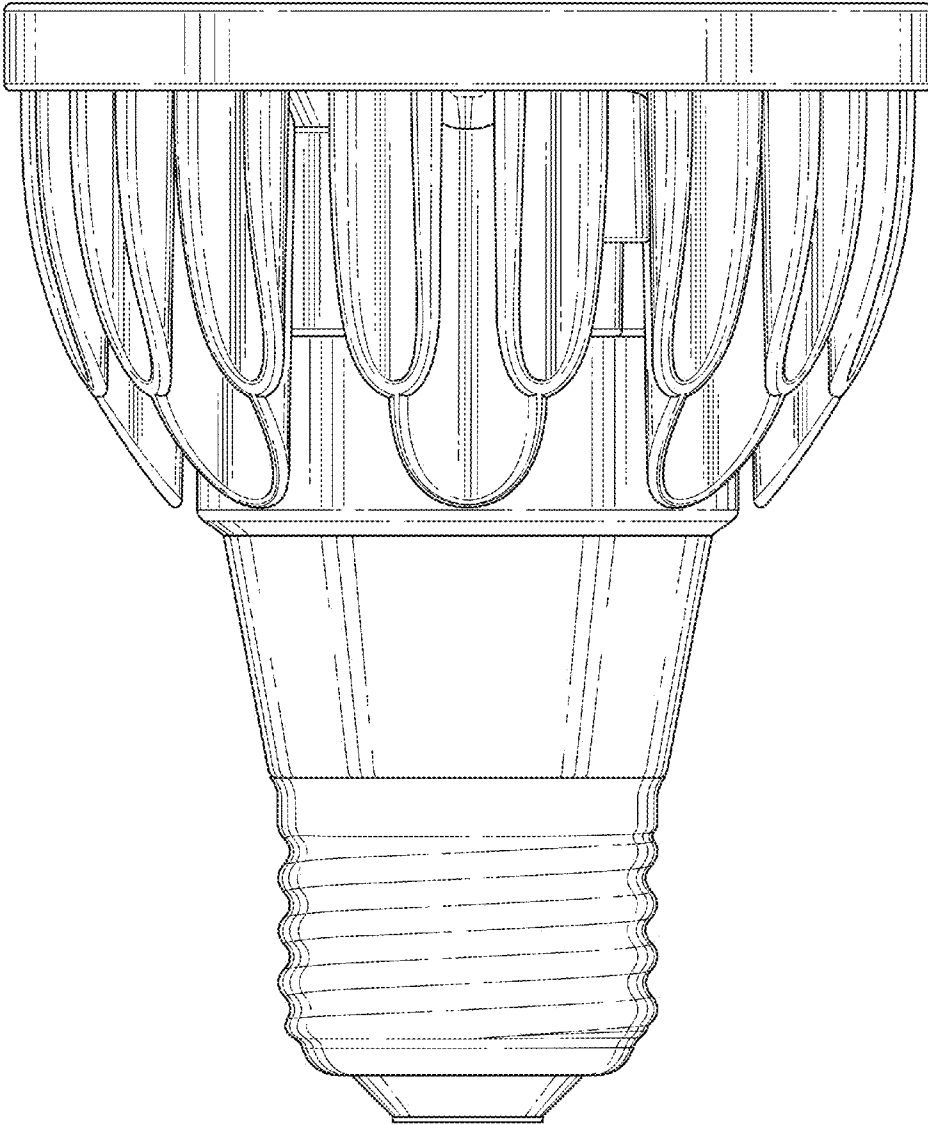


FIG. 3

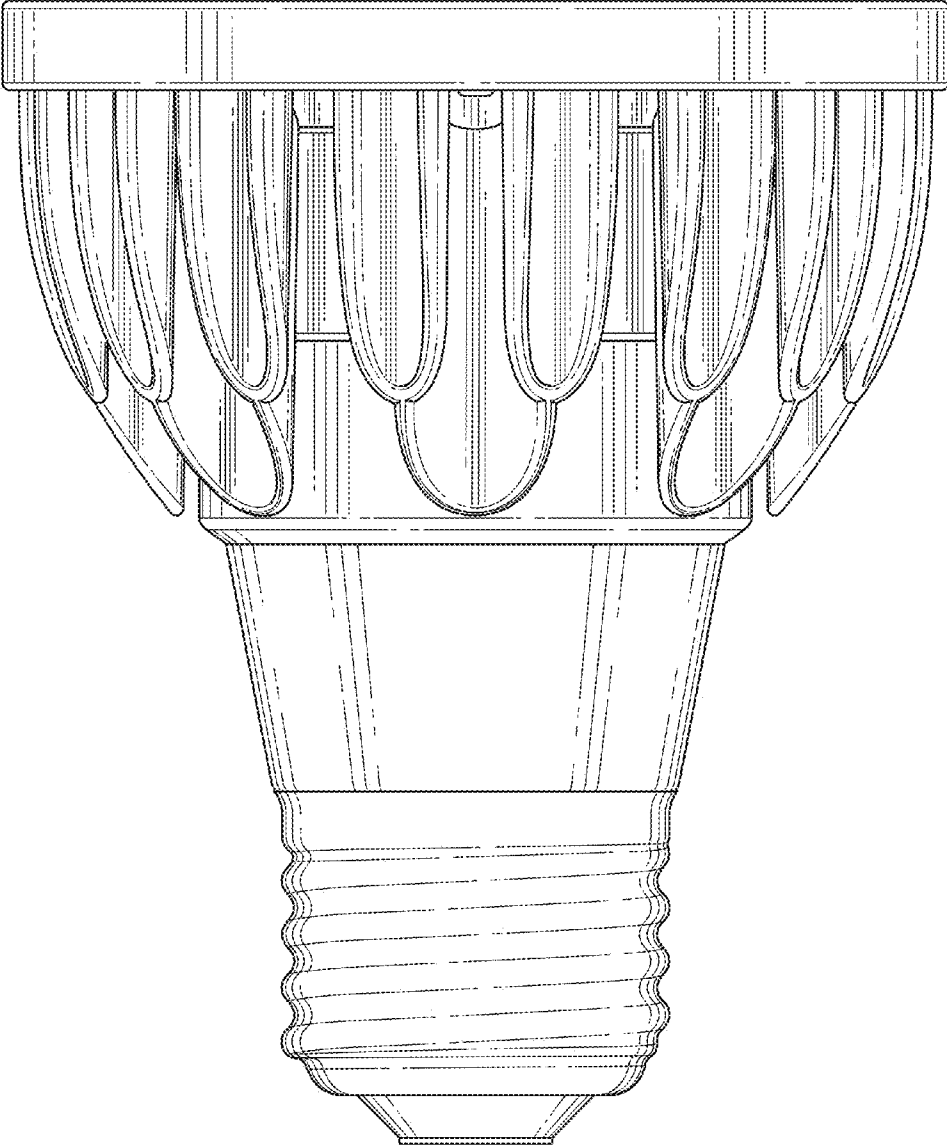


FIG. 4

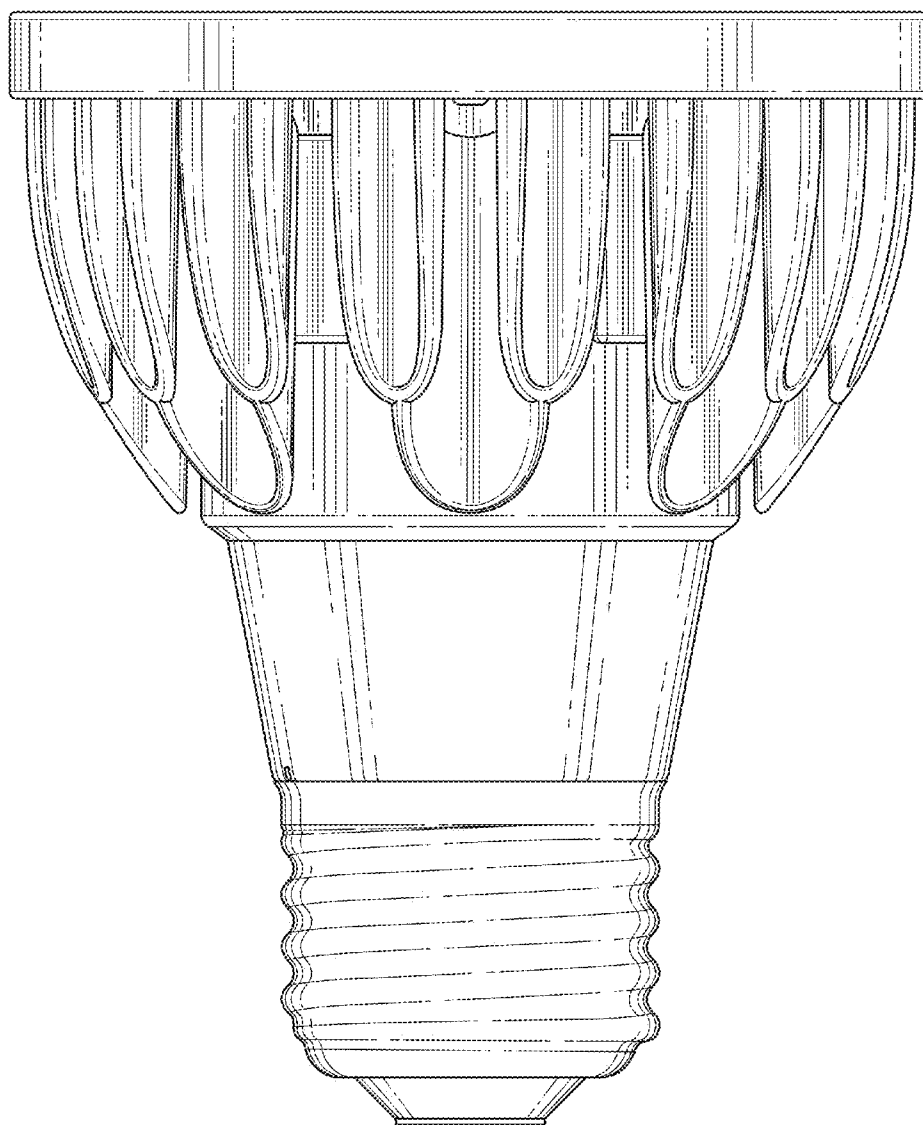


FIG. 5

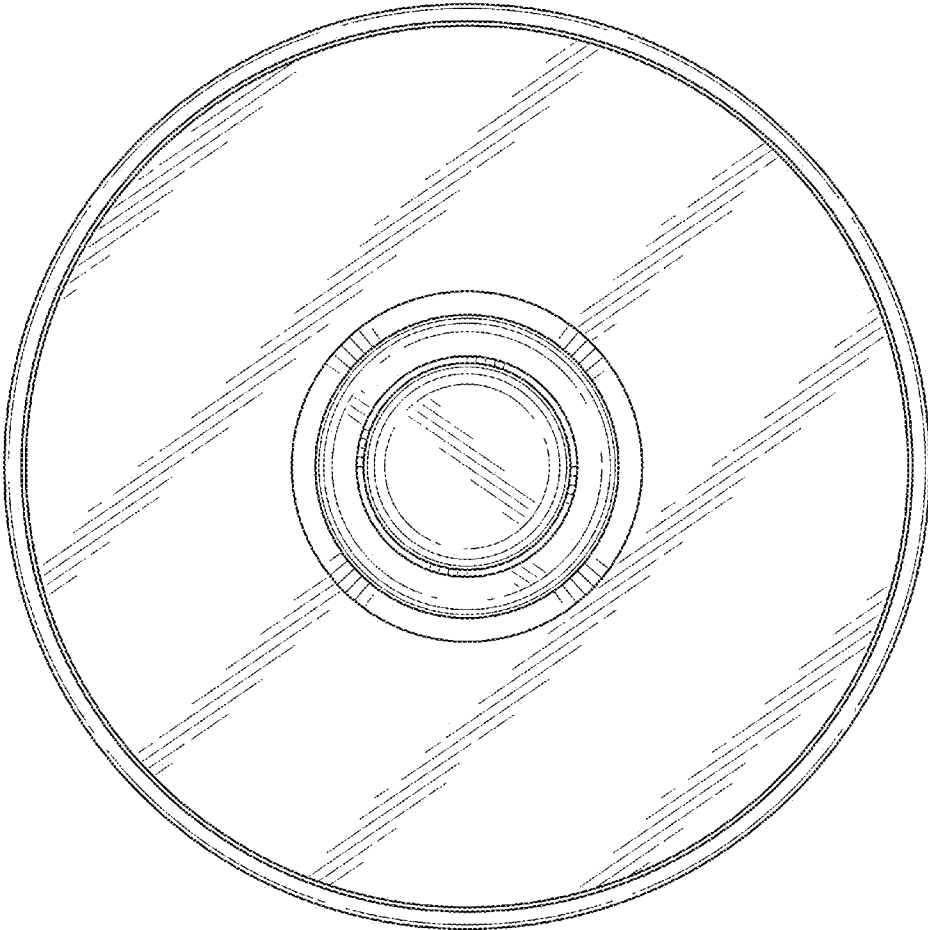


FIG. 6

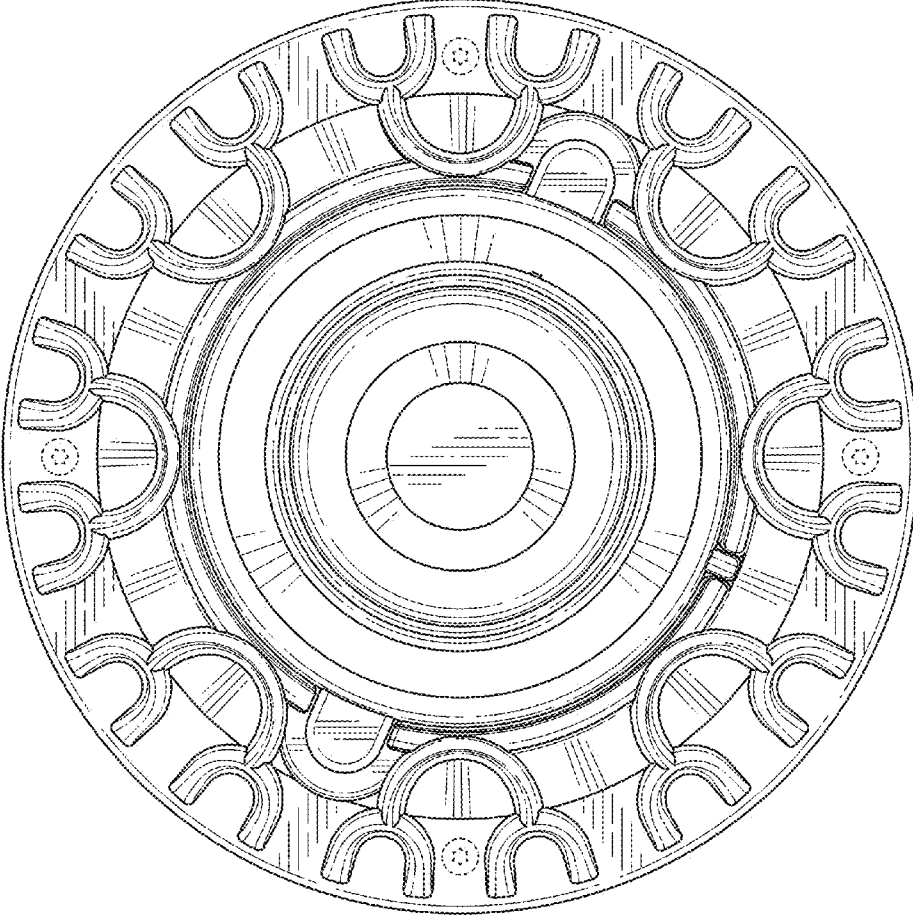


FIG. 7