

(19) World Intellectual Property Organization  
International Bureau



(43) International Publication Date  
24 January 2002 (24.01.2002)

PCT

(10) International Publication Number  
WO 02/06065 A3

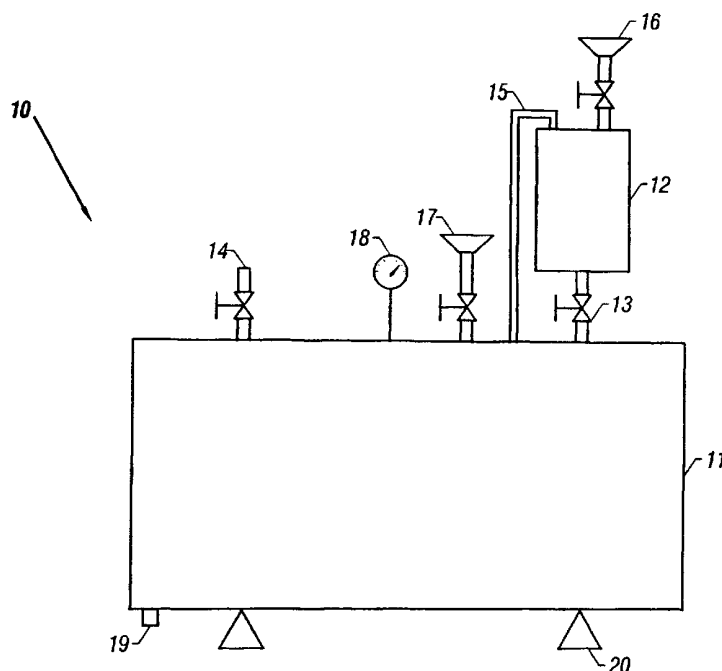
- (51) International Patent Classification<sup>7</sup>: C06D 5/10, (74) Agent: BAI, J., Benjamin; Jenkens & Gilchrist, Suite 5/08, B01J 7/00
- (21) International Application Number: PCT/US01/22096 (81) Designated States (*national*): AE, AG, AL, AM, AT, AU, AZ, BA, BB, BG, BR, BY, BZ, CA, CH, CN, CO, CR, CU, CZ, DE, DK, DM, DZ, EC, EE, ES, FI, GB, GD, GE, GH, GM, HR, HU, ID, IL, IN, IS, JP, KE, KG, KP, KR, KZ, LC, LK, LR, LS, LT, LU, LV, MA, MD, MG, MK, MN, MW, MX, MZ, NO, NZ, PL, PT, RO, RU, SD, SE, SG, SI, SK, SL, TJ, TM, TR, TT, TZ, UA, UG, UZ, VN, YU, ZA, ZW.
- (22) International Filing Date: 13 July 2001 (13.07.2001)
- (25) Filing Language: English
- (26) Publication Language: English
- (30) Priority Data:  
09/616,360 14 July 2000 (14.07.2000) US  
09/738,576 15 December 2000 (15.12.2000) US
- (84) Designated States (*regional*): ARIPO patent (GH, GM, KE, LS, MW, MZ, SD, SL, SZ, TZ, UG, ZW), Eurasian patent (AM, AZ, BY, KG, KZ, MD, RU, TJ, TM), European patent (AT, BE, CH, CY, DE, DK, ES, FI, FR, GB, GR, IE, IT, LU, MC, NL, PT, SE, TR), OAPI patent (BF, BJ, CF, CG, CI, CM, GA, GN, GW, ML, MR, NE, SN, TD, TG).
- (71) Applicant: PENNZOIL-QUAKER STATE COMPANY [US/US]; 700 Milam Street, P.O. Box 2967, Houston, TX 77002 (US).
- (72) Inventors: FANG, Jiafu; 2707 Honeysuckle Walk, Spring, TX 77388 (US). SCRIVEN, Troy, H.; 31 Oregon Trail, Waterford, NY 12118 (US). SZEMENYEI, Dewey, P.; 12 Cascade Springs, The Woodlands, TX 77381 (US).

**Published:**

- with international search report
- before the expiration of the time limit for amending the claims and to be republished in the event of receipt of amendments

[Continued on next page]

(54) Title: INFLATING DEVICE AND METHOD OF USE



(57) Abstract: A new inflating device (10) and method for inflating an inflatable object are described. The inflating device includes two compartments: one (1) containing a gas-generating agent and the other (12) containing an activating agent. When mixed, the gas-generating agent and the activating agent produces a gas in situ. The device further includes an activator (13) connected to both compartments and is capable of effectuating mixing between the two agents upon activation. A hose assembly (14) of the inflating device delivers the gas generated to an inflatable object, such as a flat tire.



WO 02/06065 A3



**(88) Date of publication of the international search report:**  
13 June 2002

*For two-letter codes and other abbreviations, refer to the "Guidance Notes on Codes and Abbreviations" appearing at the beginning of each regular issue of the PCT Gazette.*

# INTERNATIONAL SEARCH REPORT

International Application No

PCT/US 01/22096

**A. CLASSIFICATION OF SUBJECT MATTER**  
 IPC 7 C06D5/10 C06D5/08 B01J7/00

According to International Patent Classification (IPC) or to both national classification and IPC

**B. FIELDS SEARCHED**

Minimum documentation searched (classification system followed by classification symbols)

IPC 7 B01J C06D

Documentation searched other than minimum documentation to the extent that such documents are included in the fields searched

Electronic data base consulted during the international search (name of data base and, where practical, search terms used)

WPI Data

**C. DOCUMENTS CONSIDERED TO BE RELEVANT**

Category °	Citation of document, with indication, where appropriate, of the relevant passages	Relevant to claim No.
X	DE 27 09 166 A (ERNO-RAUMFAHRTTECHNIK GMBH) 7 September 1978 (1978-09-07)	1-4, 10-14,17
Y	page 8; claims; figures ----	5-12,15
Y	WO 99 36169 A (THE PROCTER & GAMBLE COMPANY) 22 July 1999 (1999-07-22)	5-9
	page 8, line 1 - line 10; claims ----	
X	DE 208 187 C (C. DIEDERICHS)	1-6,8, 13,14, 16-18
	the whole document ----	
Y	F. MAHIEUX ET AL.: "Un générateur d'azote" BULLETIN DE LA SOCIÉTÉ CHIMIQUE DE FRANCE, vol. 3, 1964, pages 532-533, XP002193790 page 532 -page 533 ----	10-12,15
	-/--	

Further documents are listed in the continuation of box C.

Patent family members are listed in annex.

° Special categories of cited documents:

- \*A\* document defining the general state of the art which is not considered to be of particular relevance
- \*E\* earlier document but published on or after the international filing date
- \*L\* document which may throw doubts on priority claim(s) or which is cited to establish the publication date of another citation or other special reason (as specified)
- \*O\* document referring to an oral disclosure, use, exhibition or other means
- \*P\* document published prior to the international filing date but later than the priority date claimed

- \*T\* later document published after the international filing date or priority date and not in conflict with the application but cited to understand the principle or theory underlying the invention
- \*X\* document of particular relevance; the claimed invention cannot be considered novel or cannot be considered to involve an inventive step when the document is taken alone
- \*Y\* document of particular relevance; the claimed invention cannot be considered to involve an inventive step when the document is combined with one or more other such documents, such combination being obvious to a person skilled in the art.
- \*&\* document member of the same patent family

Date of the actual completion of the international search

21 March 2002

Date of mailing of the international search report

08/04/2002

Name and mailing address of the ISA

European Patent Office, P.B. 5818 Patentlaan 2  
 NL - 2280 HV Rijswijk  
 Tel. (+31-70) 340-2040, Tx. 31 651 epo nl.  
 Fax: (+31-70) 340-3016

Authorized officer

Schut, R

INTERNATIONAL SEARCH REPORT

International Application No

PCT/US 01/22096

C.(Continuation) DOCUMENTS CONSIDERED TO BE RELEVANT

Category °	Citation of document, with indication, where appropriate, of the relevant passages	Relevant to claim No.
X	EP 0 129 854 A (INTEROX SOCIÉTÉ ANONYME) 2 January 1985 (1985-01-02)  page 10, line 33 -page 11, line 36; claims; figures page 4, line 13 - line 19 ----	1-4, 12-14, 16-18
Y	US 1 863 157 A (E.W. GEERE) 14 June 1932 (1932-06-14) the whole document ----	9
X	DE 45 734 C (G.F. GRAF)  the whole document -----	1-6,8, 13-18

# INTERNATIONAL SEARCH REPORT

Information on patent family members

International Application No

PCT/US 01/22096

Patent document cited in search report	A	Publication date	Patent family member(s)	Publication date
DE 2709166	A	07-09-1978	DE 2709166 A1	07-09-1978
<hr style="border-top: 1px dashed black;"/>				
WO 9936169	A	22-07-1999	EP 0930095 A1	21-07-1999
			CA 2318124 A1	22-07-1999
			EP 1045730 A1	25-10-2000
			WO 9936169 A1	22-07-1999
<hr style="border-top: 1px dashed black;"/>				
DE 208187	C		NONE	
<hr style="border-top: 1px dashed black;"/>				
EP 129854	A	02-01-1985	FR 2547744 A1	28-12-1984
			AT 30707 T	15-11-1987
			AU 570981 B2	31-03-1988
			AU 2980184 A	03-01-1985
			BR 8403119 A	04-06-1985
			CA 1261592 A1	26-09-1989
			DE 3467335 D1	17-12-1987
			DK 310684 A ,B,	28-12-1984
			EP 0129854 A1	02-01-1985
			ES 533718 D0	16-10-1985
			ES 8600957 A1	16-02-1986
			ES 542314 D0	16-12-1985
			ES 8603286 A1	16-04-1986
			FI 842564 A ,B,	28-12-1984
			IN 161154 A1	10-10-1987
			JP 60068043 A	18-04-1985
			NO 842559 A ,B,	28-12-1984
			NZ 208639 A	11-07-1986
			PT 78785 A ,B	01-07-1984
			US 4601884 A	22-07-1986
			US 4752461 A	21-06-1988
			ZA 8404514 A	27-02-1985
<hr style="border-top: 1px dashed black;"/>				
US 1863157	A	14-06-1932	NONE	
<hr style="border-top: 1px dashed black;"/>				
DE 45734	C		NONE	
<hr style="border-top: 1px dashed black;"/>				