

CORRECTED VERSION

(19) World Intellectual Property Organization  
International Bureau



(43) International Publication Date  
10 December 2009 (10.12.2009)

PCT

(10) International Publication Number  
WO 2009/148577 A8

- (51) International Patent Classification:  
A61M 39/06 (2006.01) A61M 39/22 (2006.01)
- (21) International Application Number:  
PCT/US2009/003359
- (22) International Filing Date:  
3 June 2009 (03.06.2009)
- (25) Filing Language: English
- (26) Publication Language: English
- (30) Priority Data:  
61/058,744 4 June 2008 (04.06.2008) US
- (71) Applicant (for all designated States except US): GORE ENTERPRISE HOLDINGS, INC. [US/US]; 551 Paper Mill Road, P.O. Box 9206, Newark, DE 19714-9206 (US).
- (72) Inventors; and
- (75) Inventors/Applicants (for US only): ARCARO, David, J. [US/US]; 7350 N. Lake Trail, Flagstaff, AZ 86001 (US). WILKIE, William [US/US]; 6723 E. Anasazi Drive, Flagstaff, AZ 86004 (US). GOEPFRICH, James, L. [US/US]; 2710 N. Jamison Boulevard, Flagstaff, AZ 86004 (US).
- (74) Agents: BOLAND, Kevin J. et al.; W.L. Gore & Associates, Inc., 551 Paper Mill Road, P.O. Box 9206, Newark, DE 19714-9206 (US).

(81) Designated States (unless otherwise indicated, for every kind of national protection available): AE, AG, AL, AM, AO, AT, AU, AZ, BA, BB, BG, BH, BR, BW, BY, BZ, CA, CH, CL, CN, CO, CR, CU, CZ, DE, DK, DM, DO, DZ, EC, EE, EG, ES, FI, GB, GD, GE, GH, GM, GT, HN, HR, HU, ID, IL, IN, IS, JP, KE, KG, KM, KN, KP, KR, KZ, LA, LC, LK, LR, LS, LT, LU, LY, MA, MD, ME, MG, MK, MN, MW, MX, MY, MZ, NA, NG, NI, NO, NZ, OM, PG, PH, PL, PT, RO, RS, RU, SC, SD, SE, SG, SK, SL, SM, ST, SV, SY, TJ, TM, TN, TR, TT, TZ, UA, UG, US, UZ, VC, VN, ZA, ZM, ZW.

(84) Designated States (unless otherwise indicated, for every kind of regional protection available): ARIPO (BW, GH, GM, KE, LS, MW, MZ, NA, SD, SL, SZ, TZ, UG, ZM, ZW), Eurasian (AM, AZ, BY, KG, KZ, MD, RU, TJ, TM), European (AT, BE, BG, CH, CY, CZ, DE, DK, EE, ES, FI, FR, GB, GR, HR, HU, IE, IS, IT, LT, LU, LV, MC, MK, MT, NL, NO, PL, PT, RO, SE, SI, SK, TR), OAPI (BF, BJ, CF, CG, CI, CM, GA, GN, GQ, GW, ML, MR, NE, SN, TD, TG).

Published:

— with international search report (Art. 21(3))

(48) Date of publication of this corrected version:

5 August 2010

(15) Information about Correction:

see Notice of 5 August 2010

(54) Title: INTRODUCER SHEATH VALVE ASSEMBLY FOR MEDICAL PROCEDURES WITH COLLAPSIBLE TUBULAR DIAPHRAGM

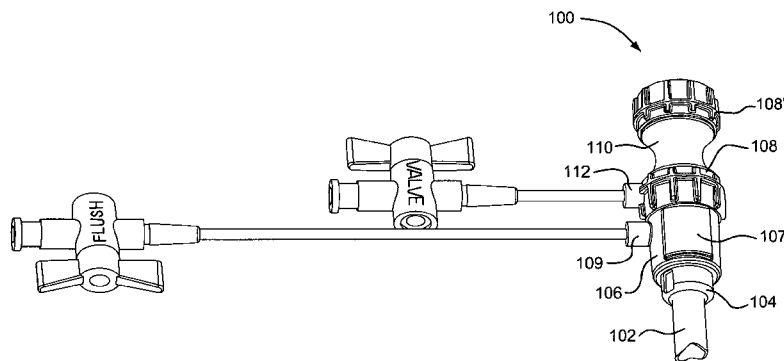


FIG. 1

(57) Abstract: The invention relates to a valve used in medical procedures. More specifically the invention relates to an introducer sheath valve used in minimally invasive and conventional surgical procedures. The valve may accommodate a wide range of surgical implement diameters, shapes, and multiple implements without imposing the high frictional forces of known valves.



WO 2009/148577 A8