



US00D720581S

(12) **United States Design Patent**
Puruganan

(10) **Patent No.:** **US D720,581 S**

(45) **Date of Patent:** **** Jan. 6, 2015**

(54) **KITCHENWARE ORGANIZER**
(71) Applicant: **Andre Puruganan**, Hayward, CA (US)
(72) Inventor: **Andre Puruganan**, Hayward, CA (US)

(**) Term: **14 Years**

(21) Appl. No.: **29/458,941**

(22) Filed: **Jun. 25, 2013**

(51) **LOC (10) Cl.** **07-06**

(52) **U.S. Cl.**

USPC **D7/704**

(58) **Field of Classification Search**

USPC D7/631-634, 704, 600.1-600.4, 590,
D7/592, 596, 701, 602, 702, 705, 637, 638,
D7/641; D6/673, 675.2, 675.5, 676.5,
D6/677.5, 678.4, 680.3, 329, 677, 677.1,
D6/677.2, 514, 515, 519, 524, 512, 513;
D19/90, 86, 75, 84, 85, 92, 95;
D32/55; D30/121, 128, 129, 131, 133;
D3/20, 26, 210, 229, 257, 258, 328,
D3/304, 306; 211/41.1-41.4, 11, 126.9,
211/133.5, 85.4, 70.7, 71.01, 74; 119/51.5

See application file for complete search history.

(56) **References Cited**

U.S. PATENT DOCUMENTS

D162,926 S * 4/1951 Berkowitz D6/462
3,025,967 A * 3/1962 Christophersen 211/41.5
4,346,806 A * 8/1982 Bustos 211/59.4
D267,841 S * 2/1983 Leslie D7/704
D294,272 S * 2/1988 Morris D20/19
D480,926 S * 10/2003 Morgan D7/601
D494,016 S * 8/2004 Compagnucci D7/601
D494,017 S * 8/2004 Compagnucci D7/601
D494,020 S * 8/2004 Compagnucci D7/601
D494,422 S * 8/2004 Compagnucci D7/601
D555,310 S * 11/2007 Yang et al. D32/55
D588,378 S * 3/2009 Goodman et al.
D599,068 S * 8/2009 Yang et al. D32/55
D628,858 S * 12/2010 Guindi D7/637

D661,929 S * 6/2012 Purcell et al. D6/525
D697,379 S * 1/2014 Puruganan D7/673
D704,483 S * 5/2014 Dryden D6/675.2
2005/0236344 A1 * 10/2005 Yang et al. 211/41.4
2007/0144984 A1 * 6/2007 Sullivan et al. 211/41.3
2008/0029465 A1 * 2/2008 Yang et al. 211/41.5
2008/0116155 A1 * 5/2008 Yang et al. 211/41.3
2009/0152218 A1 * 6/2009 Yang et al. 211/41.4
2009/0211994 A1 * 8/2009 Yang et al. 211/41.4

OTHER PUBLICATIONS

http://www.google.co.in/imgres?biw=1472&bih=728&tbm=isch&btnid=p-a76LJoneAyhM:&imgrefurl=http://www.ebay.co.uk/itm/Raised-WINDOW-SECURITY-GRILLES-BARS-garage-office-home-/160412347048&docid=dCpYey9Bz27NfM&imgurl=http://img638.imageshack.us/img638/3558/sdc11931.jpg&w=800&h=426&ei=fYPKUyNpCMy_kgXVn4G4CQ&zoom=1&ved=1t:3588,r:28,s:0,i:168&iact=rc&page=2&tbnh=164&tbnw=308&start=20&ndsp=26&tx=127&ty=90
http://thumbs1.ebaystatic.com/d/1225/m/mlM62-FTS6G8Hj_Upbk1-BA.jpg

* cited by examiner

Primary Examiner — Ian Simmons

Assistant Examiner — Shannon Morgan

(74) *Attorney, Agent, or Firm* — Raj Abhyanker, P.C.

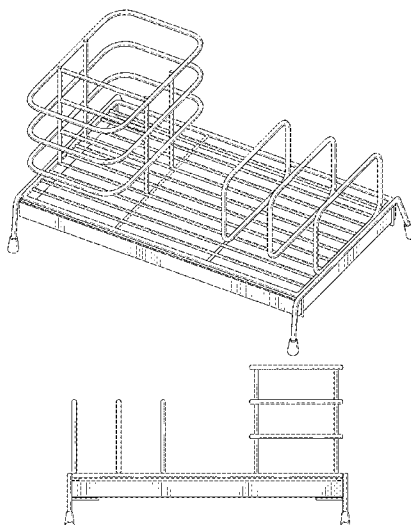
(57) **CLAIM**

The ornamental design for a kitchenware organizer, as shown and described.

DESCRIPTION

FIG. 1 is a top, right perspective view of a kitchenware organizer showing my new design;
FIG. 2 is a front elevational view thereof;
FIG. 3 is a rear elevational view thereof;
FIG. 4 is a left side elevational view thereof;
FIG. 5 is a right side elevational view thereof;
FIG. 6 is a top plan view thereof; and,
FIG. 7 is a bottom plan view thereof.

1 Claim, 4 Drawing Sheets



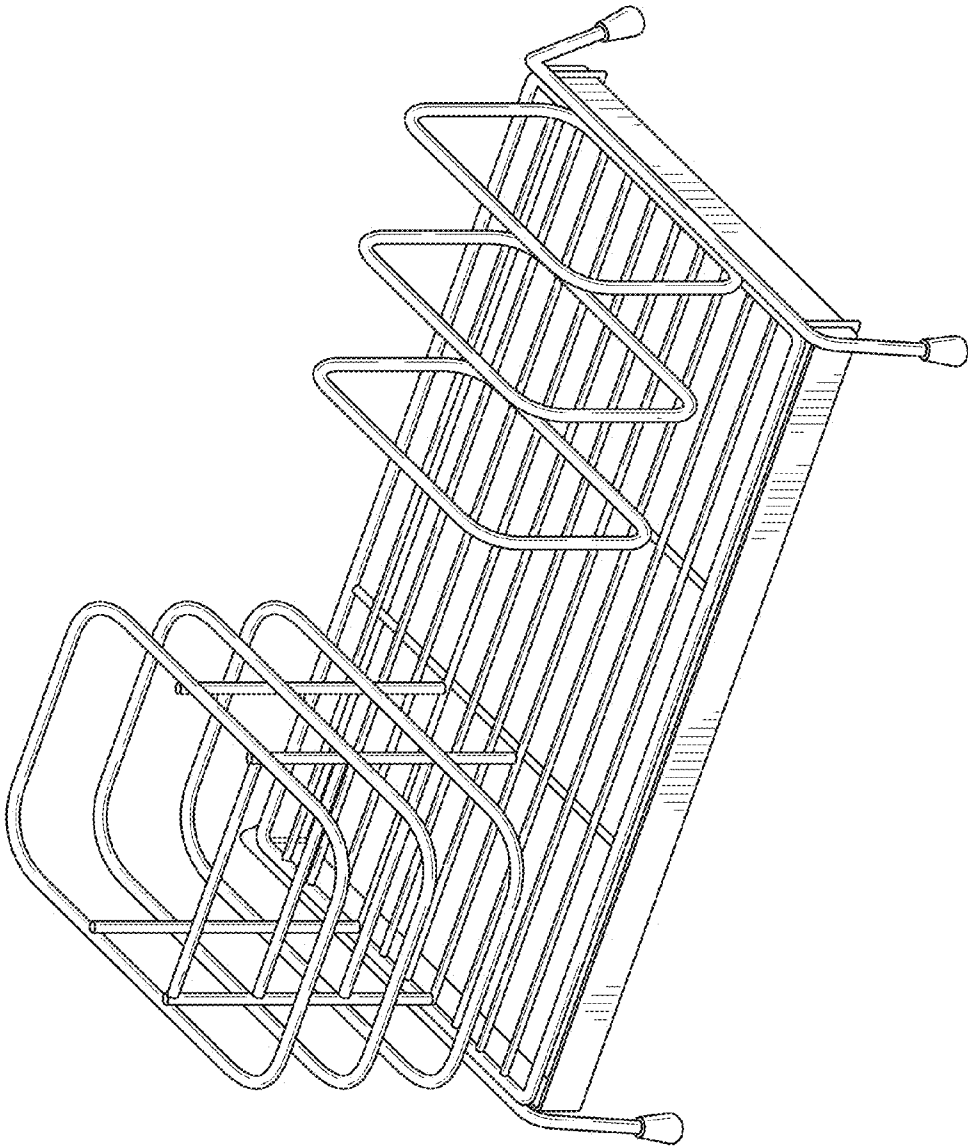


FIG. 1

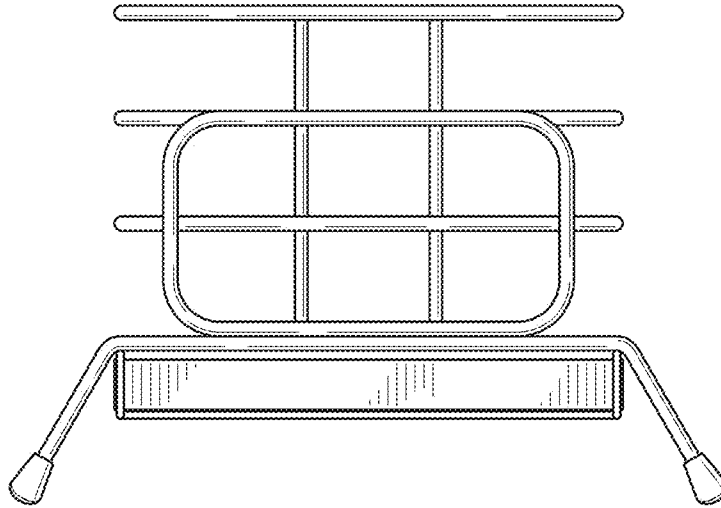


FIG. 2

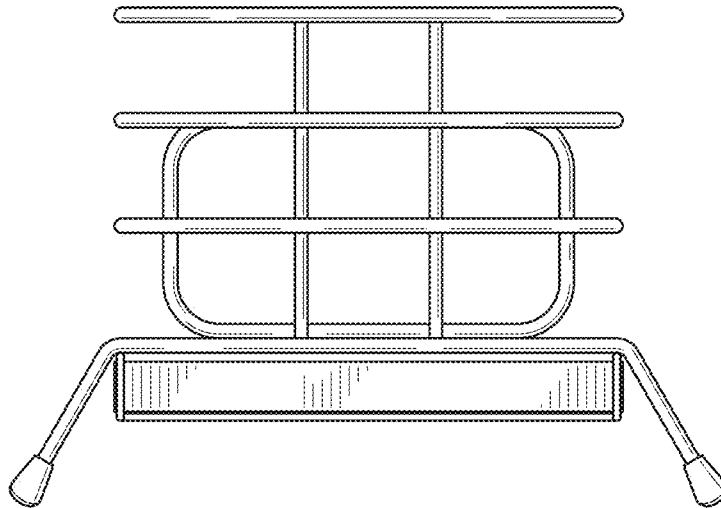


FIG. 3

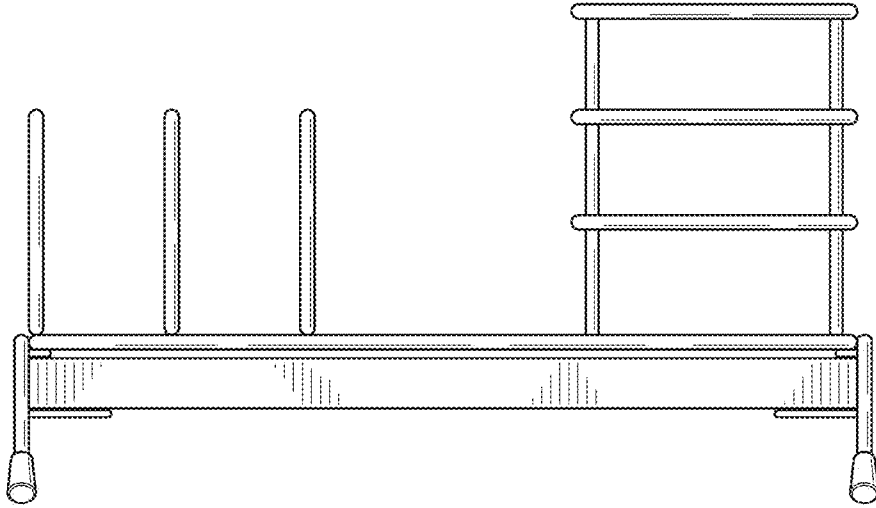


FIG. 4

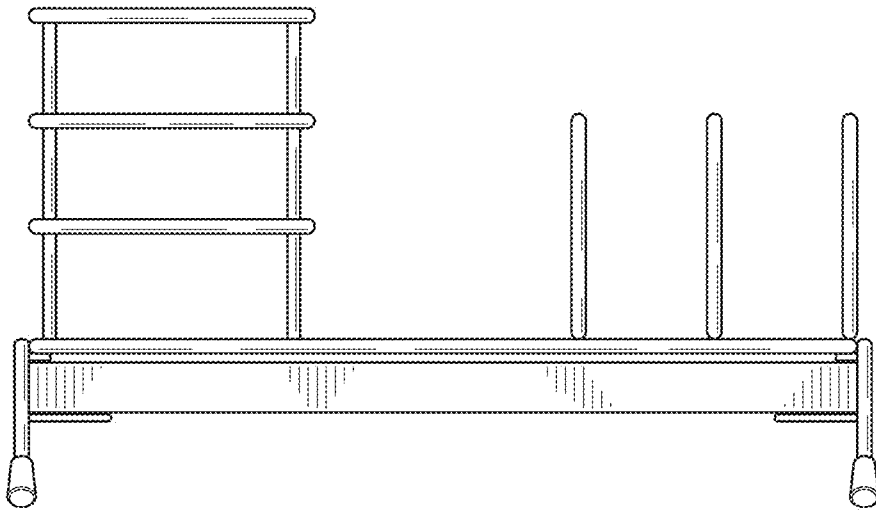


FIG. 5

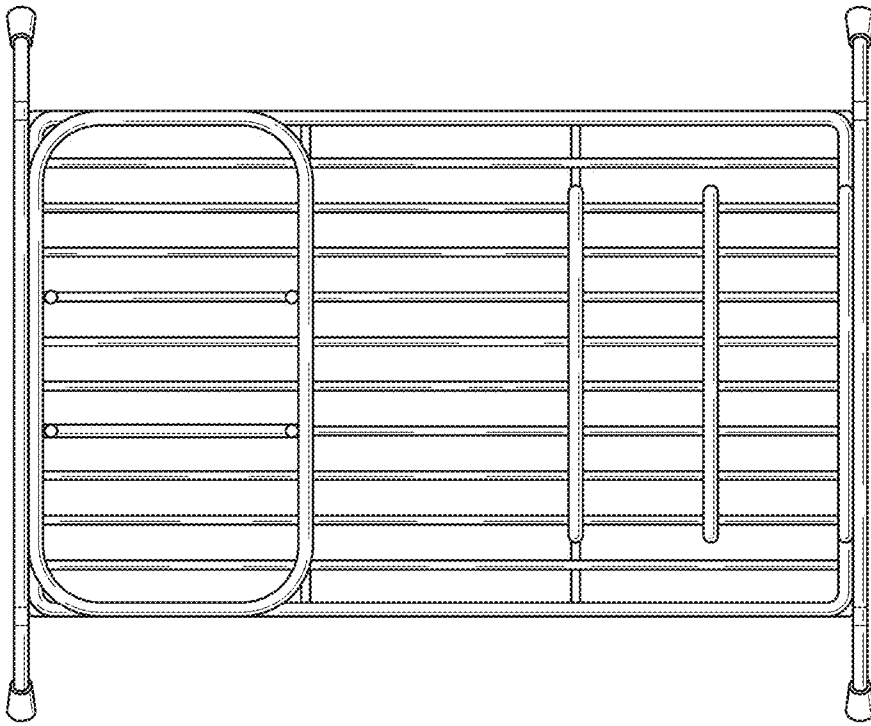


FIG. 6

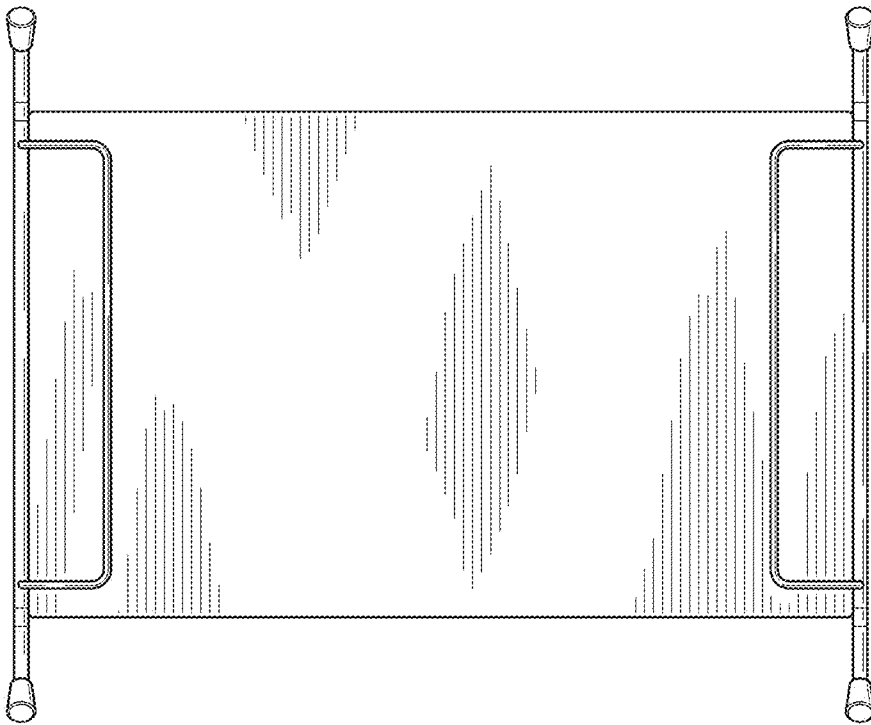


FIG. 7