



US00D989367S

(12) **United States Design Patent**
Kim

(10) **Patent No.:** **US D989,367 S**

(45) **Date of Patent:** **** Jun. 13, 2023**

- (54) **MEDICAL LIGHTING DEVICE**
- (71) Applicant: **Joonheon Kim**, Chuncheon-si (KR)
- (72) Inventor: **Joonheon Kim**, Chuncheon-si (KR)
- (**) Term: **15 Years**
- (21) Appl. No.: **35/512,772**
- (22) Filed: **Apr. 22, 2021**

D706,474 S * 6/2014 Ferguson D26/39
 D713,575 S * 9/2014 Ferguson D26/39
 D901,737 S * 11/2020 Neeley F2IL 4/00
 D26/39

FOREIGN PATENT DOCUMENTS

IN 328593-001-0001 * 9/2021

OTHER PUBLICATIONS

Dr. Kim Shadowless Headlamp. By Trycare Digital. Dated Apr. 23, 2018. Found online [Jul. 25, 2022]. <https://www.youtube.com/watch?v=fIQh6cD1LHA> (Year: 2018).*

* cited by examiner

Primary Examiner — Mark A Goodwin
Assistant Examiner — William B Melliar

(74) *Attorney, Agent, or Firm* — Sughrue Mion, PLLC

(80) **Hague Agreement Data**

Int. Filing Date: **Apr. 22, 2021**
 Int. Reg. No.: **DM/214419**
 Int. Reg. Date: **Apr. 22, 2021**
 Int. Reg. Pub. Date: **Oct. 22, 2021**

(30) **Foreign Application Priority Data**

Apr. 20, 2021 (KR) 30-2021-0019073

(51) **LOC (14) Cl.** **26-02**

(52) **U.S. Cl.**
USPC **D26/39**

(58) **Field of Classification Search**

USPC D26/24, 37-52, 113; D24/231
 CPC F21Y 2115/10; F21Y 2103/10; F21Y
 2101/00; F21Y 2113/13; F21V 21/084;
 F21V 23/0414; F21V 21/145; F21V
 21/0965; F21V 21/0885

See application file for complete search history.

(56) **References Cited**

U.S. PATENT DOCUMENTS

D238,958 S * 2/1976 Feinbloom D26/39
 D266,192 S * 9/1982 Feinbloom D26/39
 D337,838 S * 7/1993 Van Der Bel D26/39
 D406,371 S * 3/1999 Van Der Bel D26/39
 D608,479 S * 1/2010 Heine D24/231

(57) **CLAIM**

The ornamental design for a medical lighting device, as shown and described.

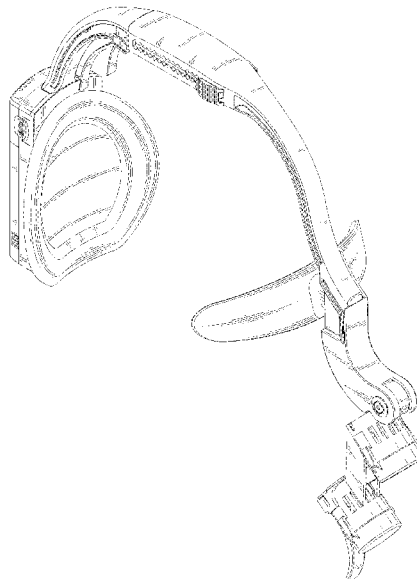
DESCRIPTION

1. Medical lighting device

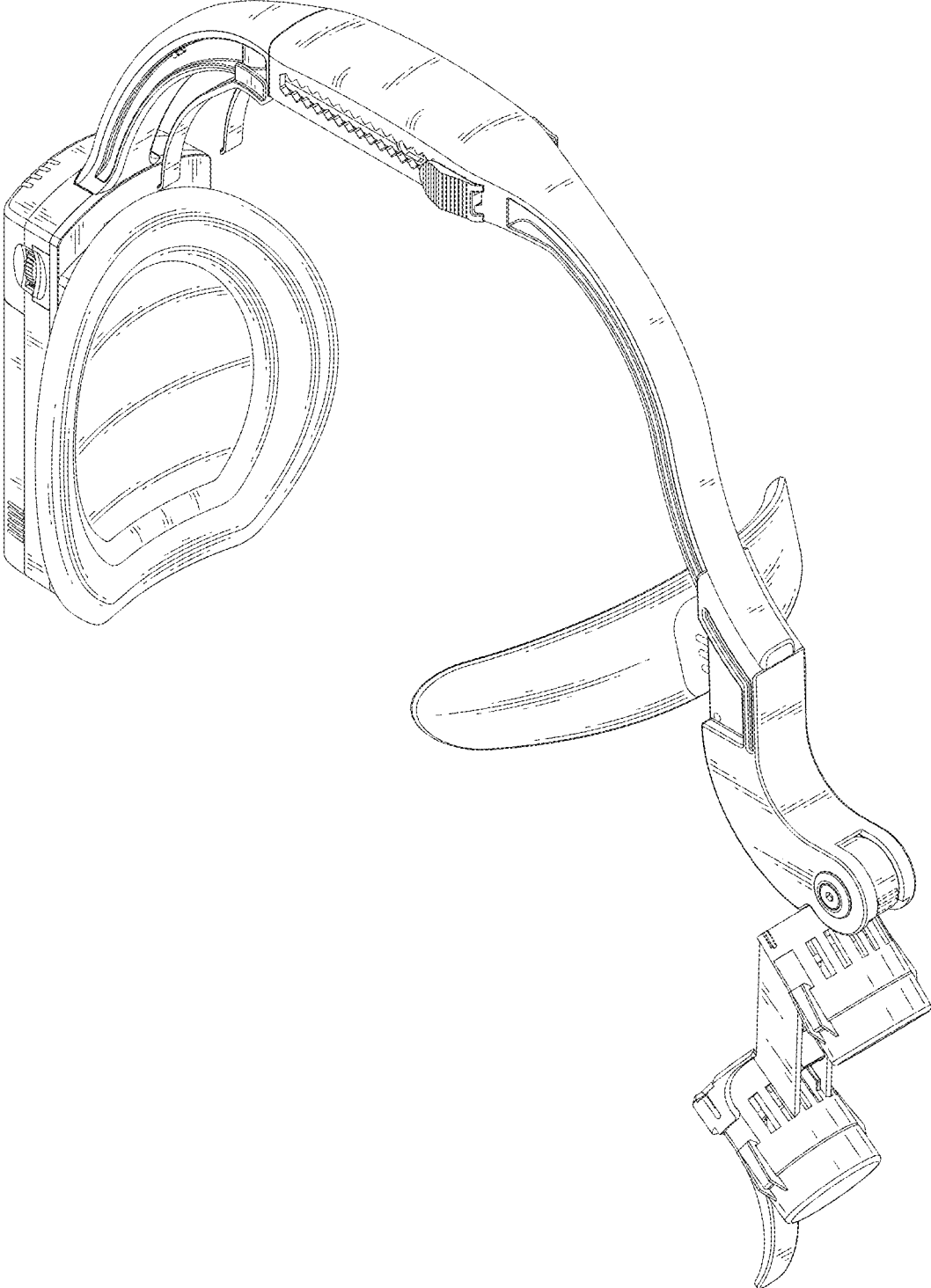
- 1.1 : Perspective
- 1.2 : Front
- 1.3 : Back
- 1.4 : Left
- 1.5 : Right
- 1.6 : Top
- 1.7 : Bottom

The broken lines depict portions of the medical lighting device that form no part of the claimed design.

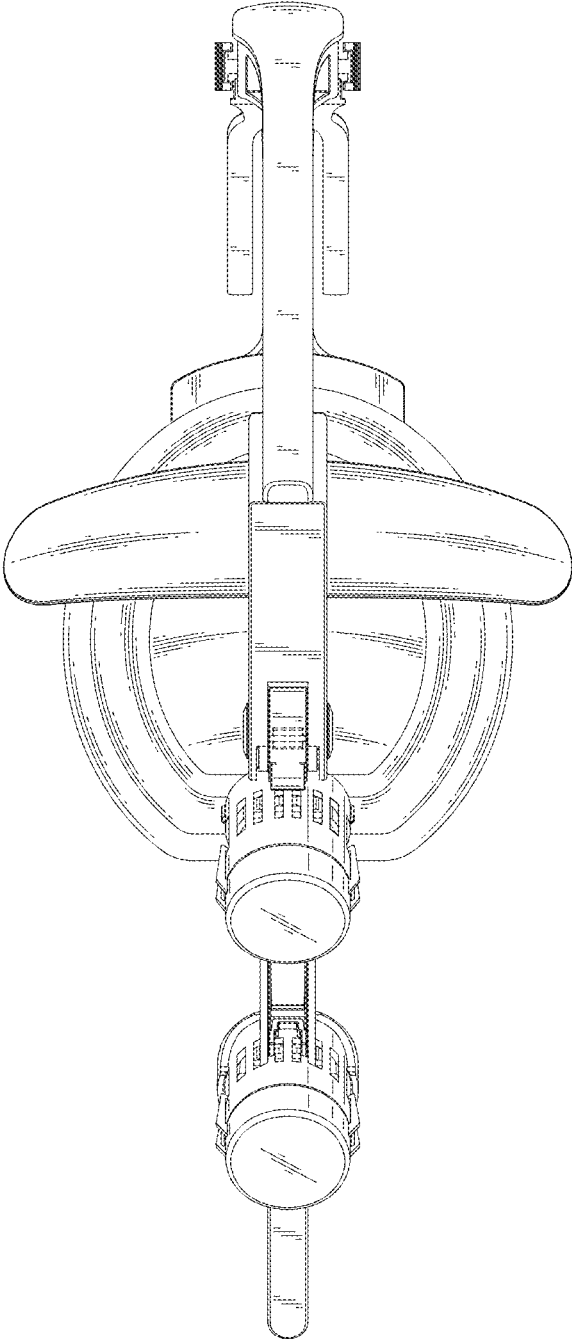
1 Claim, 7 Drawing Sheets



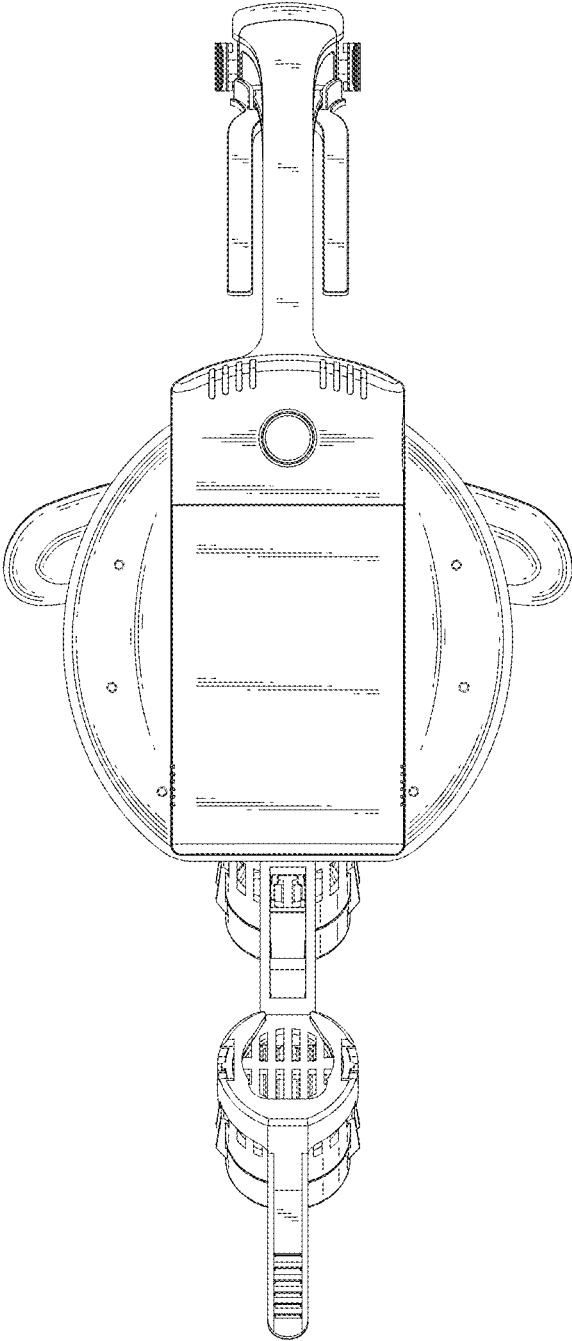
1.1



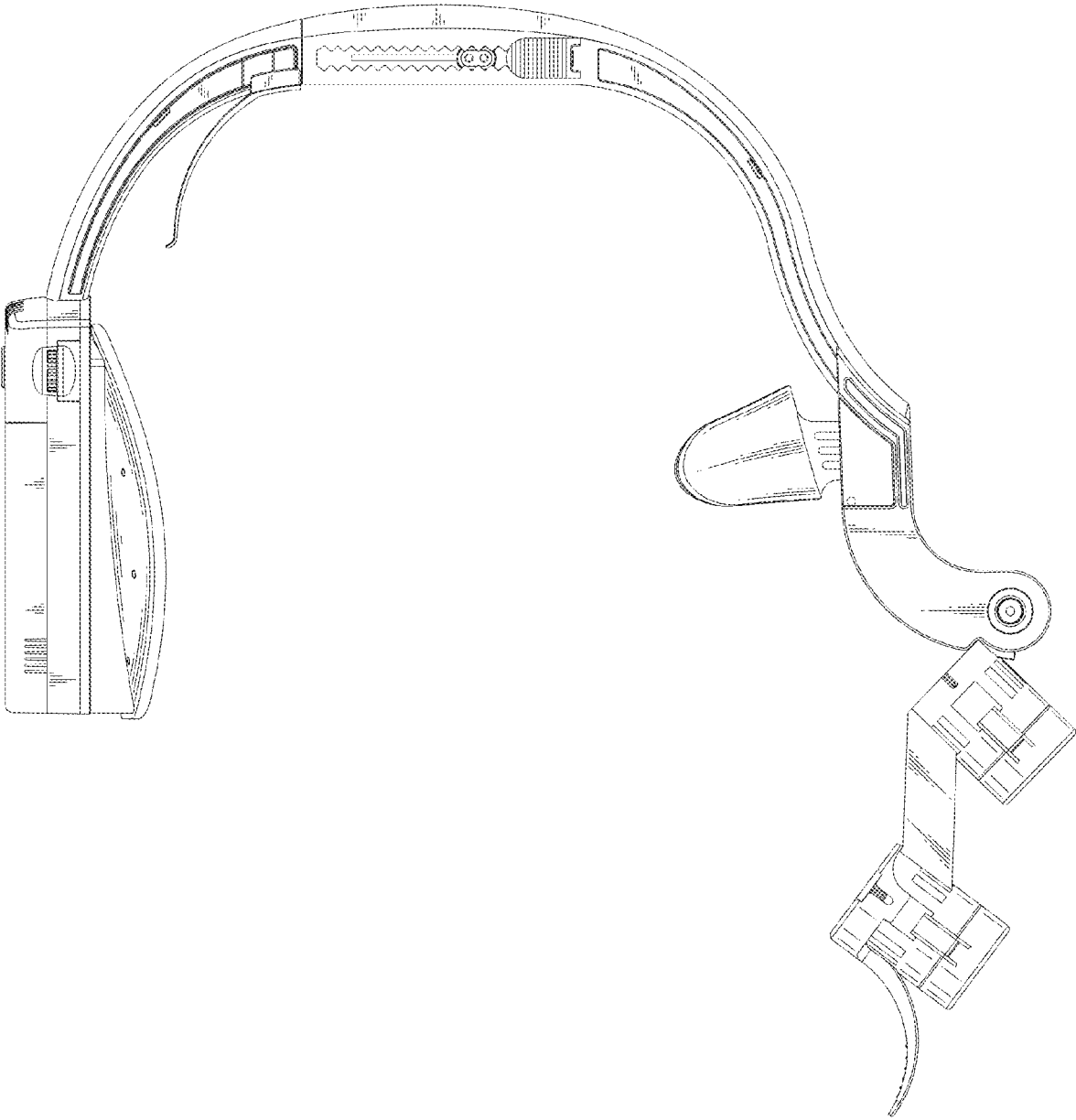
1.2



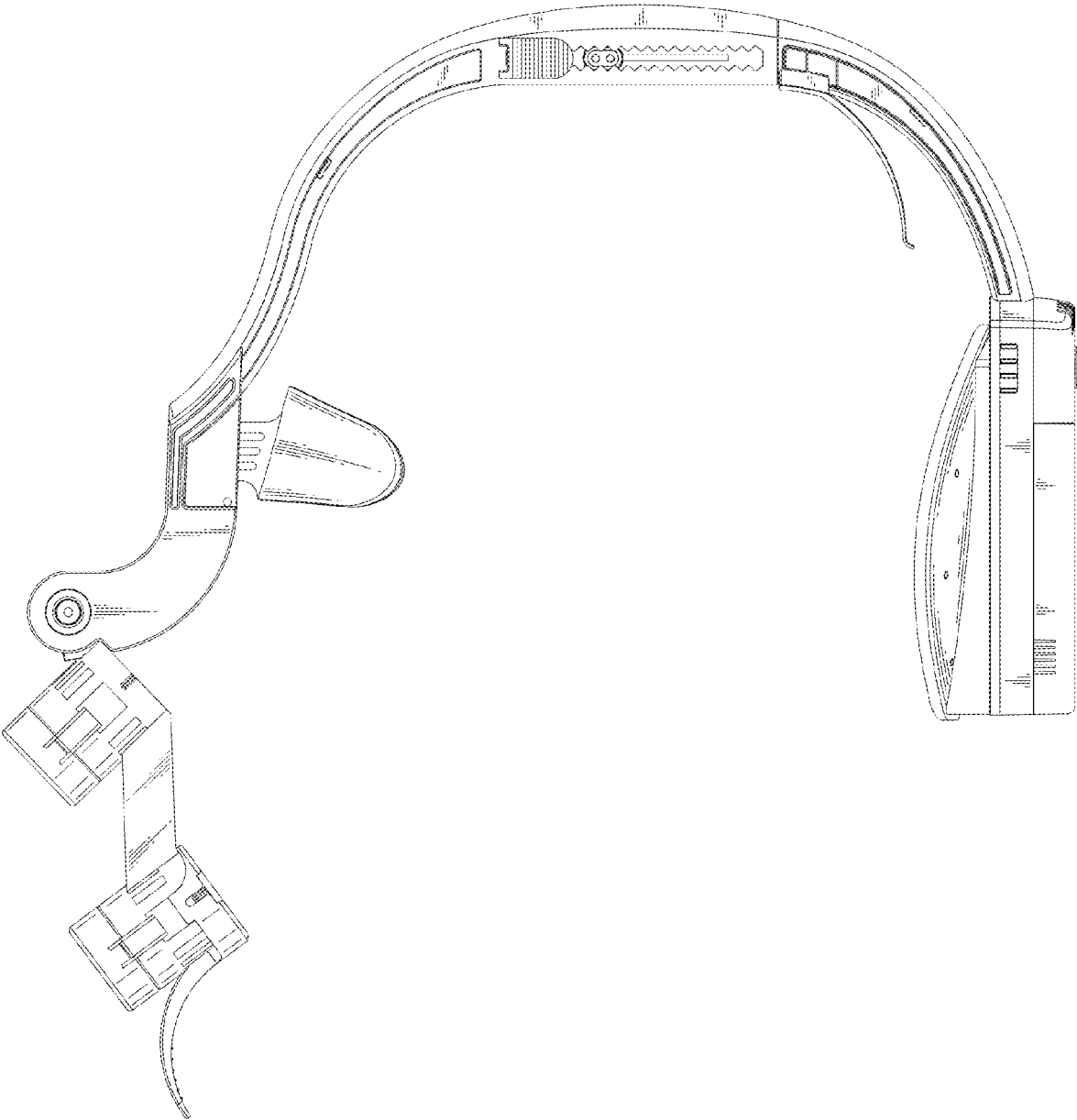
1.3



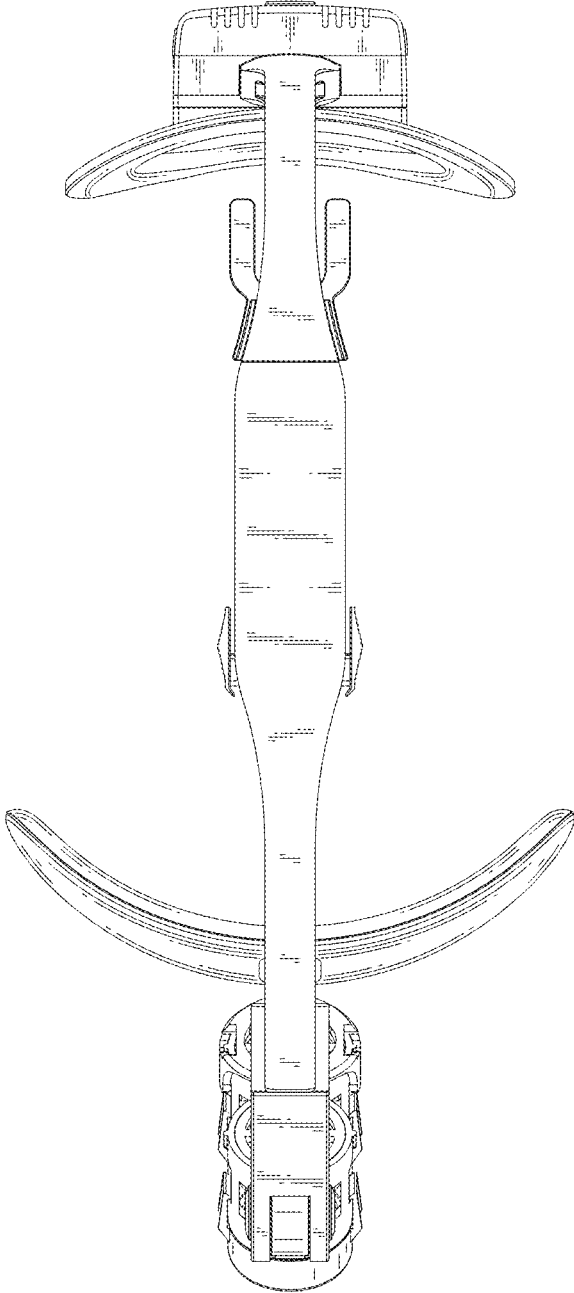
1.4



1.5



1.6



1.7

