



US00D737865S

(12) **United States Design Patent**
Imashige et al.

(10) **Patent No.:** **US D737,865 S**

(45) **Date of Patent:** **** Sep. 1, 2015**

(54) **TRAVELLING BODY FOR CONSTRUCTION MACHINE**

(56) **References Cited**

(71) Applicant: **KOBELCO CONSTRUCTION MACHINERY CO., LTD.**,
Hiroshima-shi, Hiroshima (JP)

(72) Inventors: **Hirokazu Imashige**, Hiroshima (JP); **Shintaro Sakitani**, Hiroshima (JP); **Isao Miyachi**, Hiroshima (JP); **Hiroshi Kanamaru**, Hiroshima (JP); **Kaoru Adachi**, Hiroshima (JP)

(73) Assignee: **KOBELCO CONSTRUCTION MACHINERY CO., LTD.**, Hiroshima (JP)

U.S. PATENT DOCUMENTS

D432,144	S	*	10/2000	Kraft et al.	D15/30
D440,235	S	*	4/2001	Kuwae et al.	D15/25
D450,067	S	*	11/2001	Murakami et al.	D15/25
D450,331	S	*	11/2001	Murakami et al.	D15/25
D481,044	S	*	10/2003	Tokach et al.	D15/30
D487,100	S	*	2/2004	Tokach et al.	D15/30
D487,575	S	*	3/2004	Wetzel et al.	D15/33
D508,498	S	*	8/2005	Shimokakiuchi et al.	D15/24
D509,514	S	*	9/2005	Shimokakiuchi et al.	D15/24
7,001,135	B2	*	2/2006	Shimokakiuchi et al.	414/687
D575,804	S	*	8/2008	Murakami et al.	D15/28
D576,182	S	*	9/2008	Murakami et al.	D15/28

(Continued)

FOREIGN PATENT DOCUMENTS

JP	1213107	S	8/2004
JP	1277709	S	7/2006
JP	1463440	S	3/2013

Primary Examiner — Cynthia Ramirez

Assistant Examiner — Gino Colan

(74) *Attorney, Agent, or Firm* — Birch, Stewart, Kolasch & Birch, LLP

(**) Term: **14 Years**

(21) Appl. No.: **29/475,010**

(22) Filed: **Nov. 27, 2013**

(30) **Foreign Application Priority Data**

Jun. 12, 2013	(JP)	2013-013228
Jun. 12, 2013	(JP)	2013-013229
Jun. 12, 2013	(JP)	2013-013230
Jun. 12, 2013	(JP)	2013-013231

(51) **LOC (10) Cl.** **15-09**

(52) **U.S. Cl.**
USPC **D15/28**

(58) **Field of Classification Search**
USPC D15/28, 10-27, 29-33; 180/89.1, 180/89.12, 235, 900; 296/193.03, 193.08; 172/611, 776; 414/694, 699, 722-724, 414/680, 660
CPC E02D 19/18; E02D 17/13; E02D 5/18; E02F 3/086; E02F 3/144; E02F 3/306; E02F 3/307; B60P 3/40

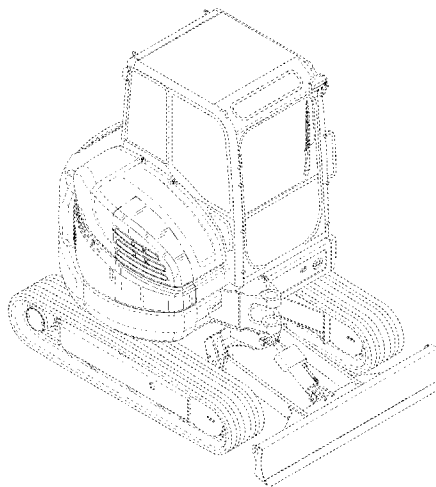
See application file for complete search history.

(57) **CLAIM**
The ornamental design for a travelling body for construction machine, as shown and described.

DESCRIPTION

FIG. 1 is a perspective view of a travelling body for construction machine showing our new design; FIG. 2 is a front view thereof; FIG. 3 is a left side view thereof; and, FIG. 4 is a top view thereof.
The portion shown by broken lines is for illustrative purposes only and forms no part of the claimed design.
The dash-dot lines in the figures are for the purpose of showing boundaries of the design and form no part of the claimed design.

1 Claim, 4 Drawing Sheets



(56)

References Cited

U.S. PATENT DOCUMENTS

D582,946	S *	12/2008	Ochi et al.	D15/28	D681,689	S *	5/2013	Saito et al.	D15/24
D587,285	S *	2/2009	Murakami et al.	D15/28	D684,598	S *	6/2013	Hagura et al.	D15/24
D590,845	S *	4/2009	Ochi et al.	D15/22	D684,599	S *	6/2013	Saito et al.	D15/24
D591,773	S *	5/2009	Ueta et al.	D15/22	D684,600	S *	6/2013	Saito et al.	D15/24
D593,137	S *	5/2009	Ueta et al.	D15/28	D687,865	S *	8/2013	Hatanaka et al.	D15/24
D594,884	S *	6/2009	Murakami et al.	D15/28	D695,791	S *	12/2013	Hagura et al.	D15/25
D633,926	S *	3/2011	Shimada et al.	D15/25	8,733,824	B2 *	5/2014	Kanamaru	296/191
7,967,094	B2 *	6/2011	Matsushita et al.	180/69.2	D707,261	S *	6/2014	Caboret et al.	D15/24
					D716,845	S *	11/2014	Hayami et al.	D15/25
					D717,346	S *	11/2014	Ishii	D15/28
					2013/0306388	A1 *	11/2013	Yamamoto et al.	180/89.12

* cited by examiner

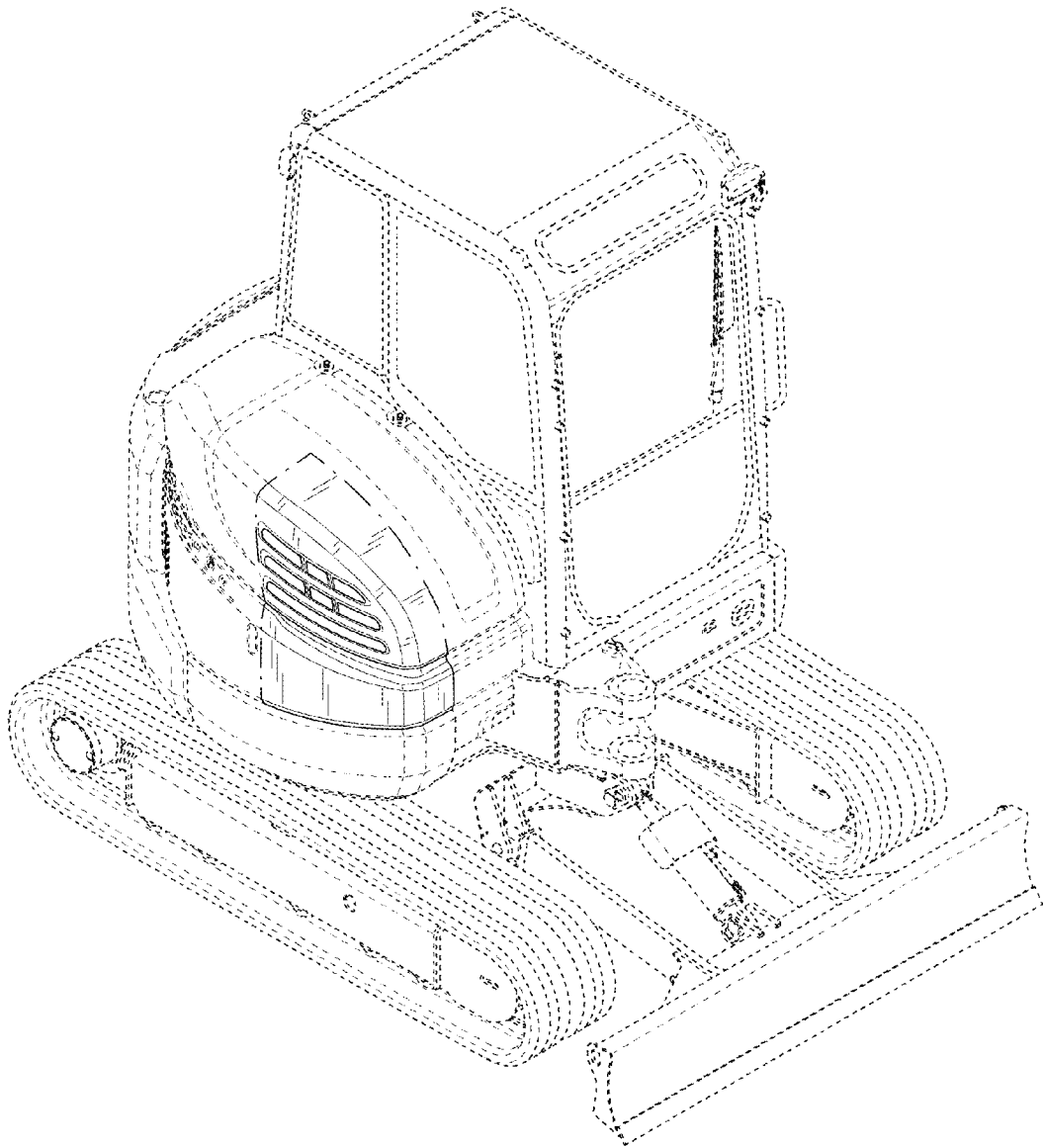


FIG. 1

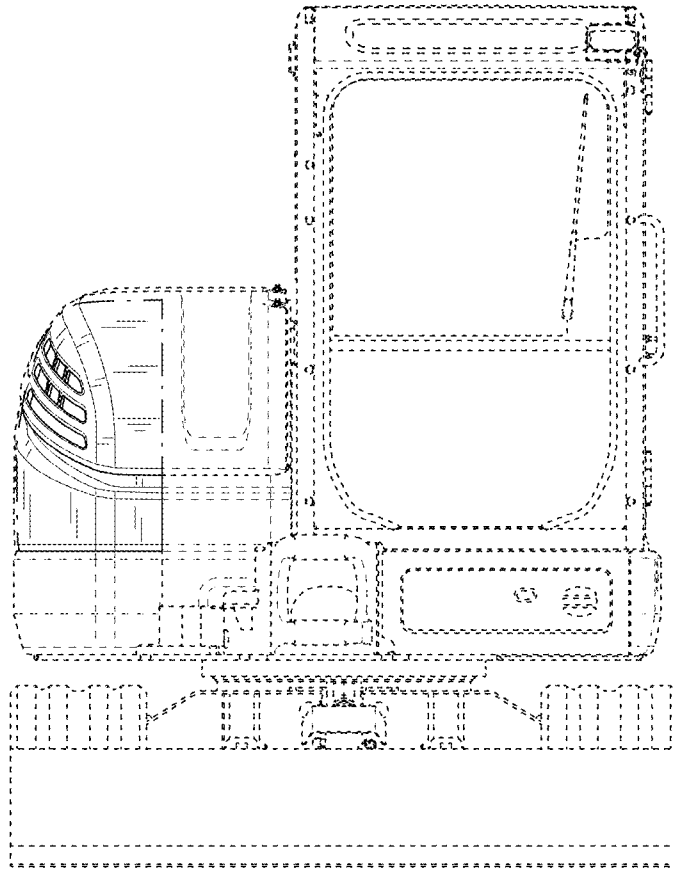


FIG. 2

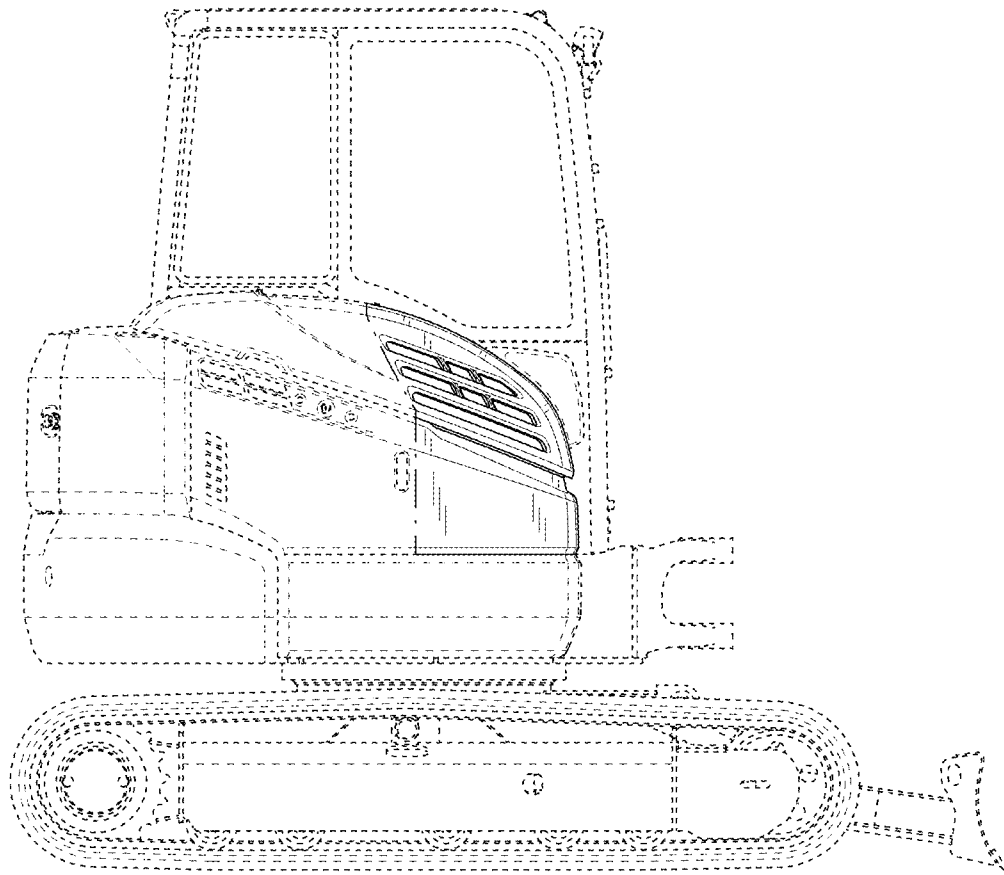


FIG. 3

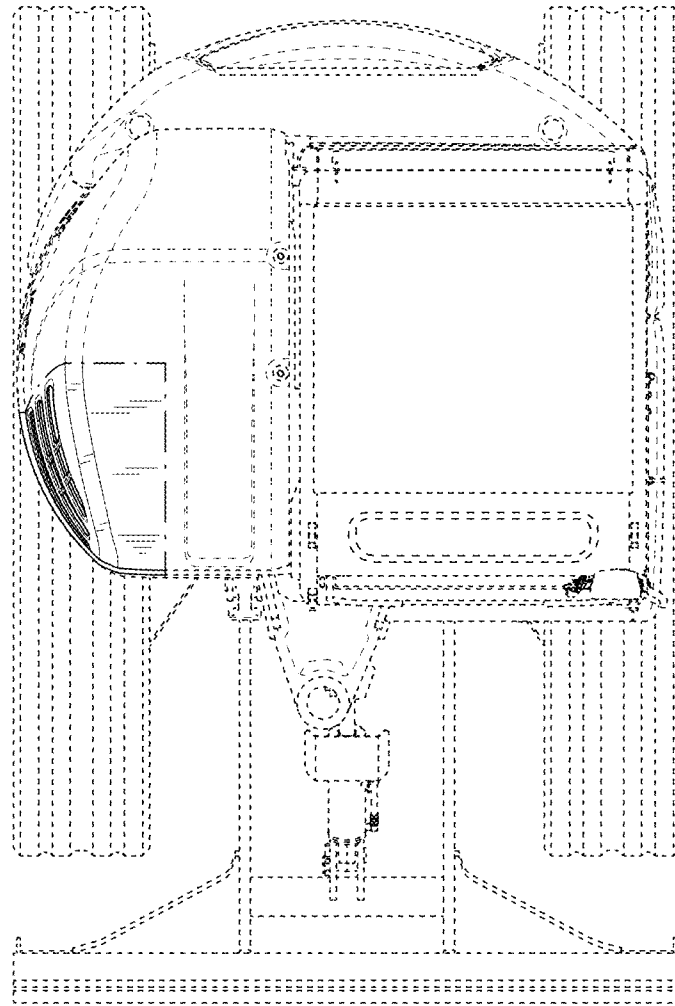


FIG. 4