



US00D409374S

# United States Patent [19]

[11] Patent Number: **Des. 409,374**

Laba et al.

[45] Date of Patent: **\*\* May 11, 1999**

[54] **PORTABLE ACCESSORY CONTAINER**

D. 386,611	11/1997	Sheu	.....	D3/215
D. 391,758	3/1998	Wolf et al.	.....	D3/218
D. 399,649	10/1998	Girvetz	.....	D3/215
1,053,758	2/1913	Turnbull	.....	206/811
1,440,690	1/1923	McMosiman	.....	206/811
2,081,930	6/1937	Hoffman	.....	206/811

[75] Inventors: **André Laba; Jessie Laba; Tony Sleiman**, all of Windsor; **Michael A. Doyscher**, LaSalle, all of Canada

[73] Assignee: **Global Rapid Tech, Inc.**, Ontario, Canada

*Primary Examiner*—Louis S. Zarfaz  
*Assistant Examiner*—Catherine R. Oliver  
*Attorney, Agent, or Firm*—Harness, Dickey & Pierce, P.L.C.

[\*\*] Term: **14 Years**

### [57] CLAIM

[21] Appl. No.: **29/078,041**

The ornamental design for a portable accessory container, as shown and described.

[22] Filed: **Oct. 16, 1997**

### DESCRIPTION

[51] **LOC (6) Cl.** ..... **03-01**

[52] **U.S. Cl.** ..... **D3/215; D3/218**

[58] **Field of Search** ..... D3/215, 218, 219, D3/221, 225, 272, 203, 205; D27/172, 186; 206/811, 269, 270; 220/324, 335, 337, 334; D14/191, 192

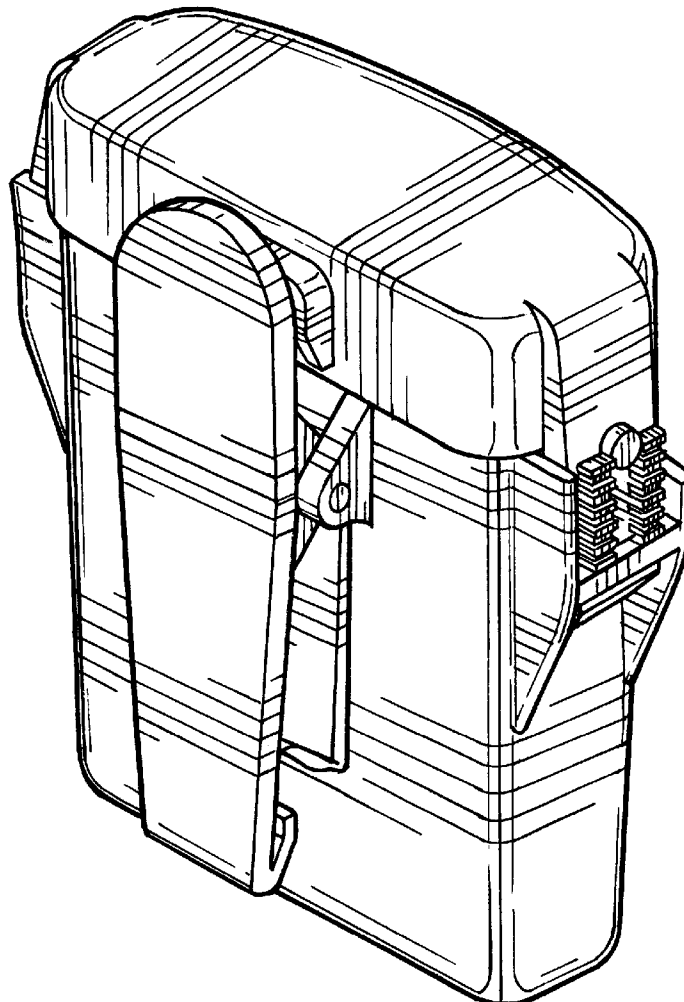
FIG. 1 is a rear perspective view of a portable accessory container embodying our new design;  
FIG. 2 is a rear elevational view of the design;  
FIG. 3 is a front elevational view of the design;  
FIG. 4 is a side elevational view of the design, the opposite side being a mirror image thereof;  
FIG. 5 is a top plan view of the design; and,  
FIG. 6 is a bottom plan view of the design.

### [56] References Cited

#### U.S. PATENT DOCUMENTS

D. 322,514 12/1991 Her ..... D3/225

**1 Claim, 3 Drawing Sheets**



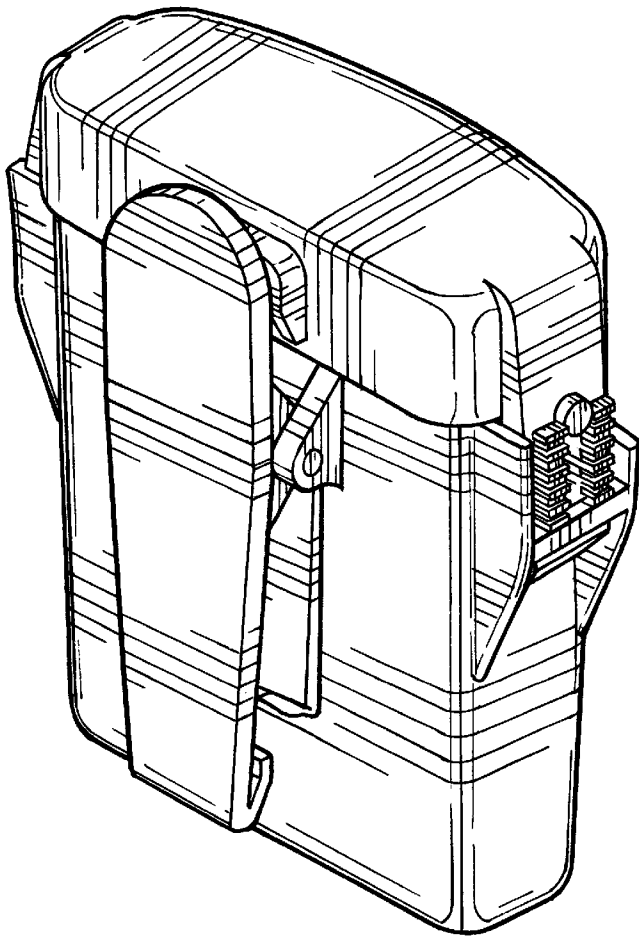


Fig-1

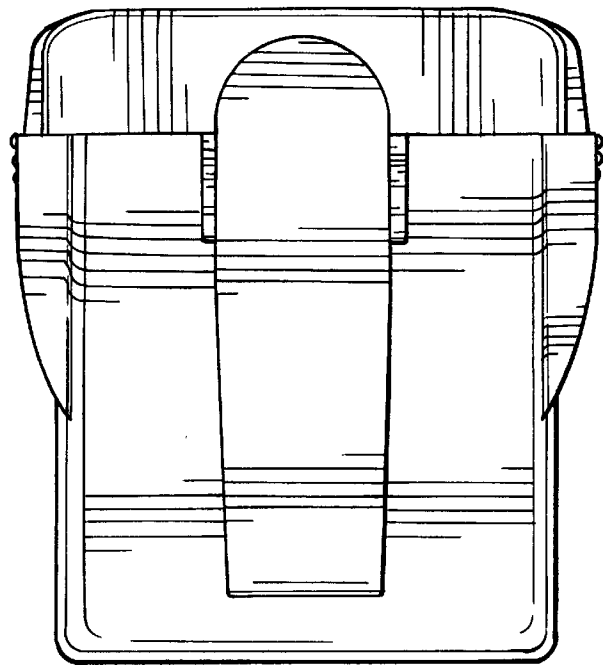


Fig-2

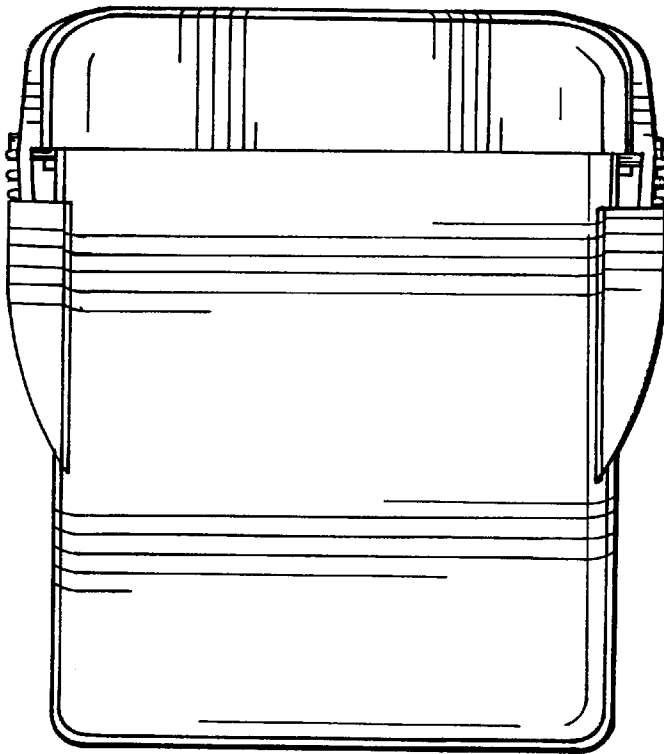


Fig-3

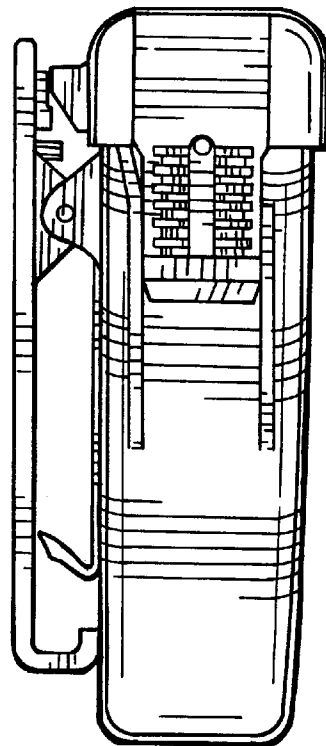


Fig-4

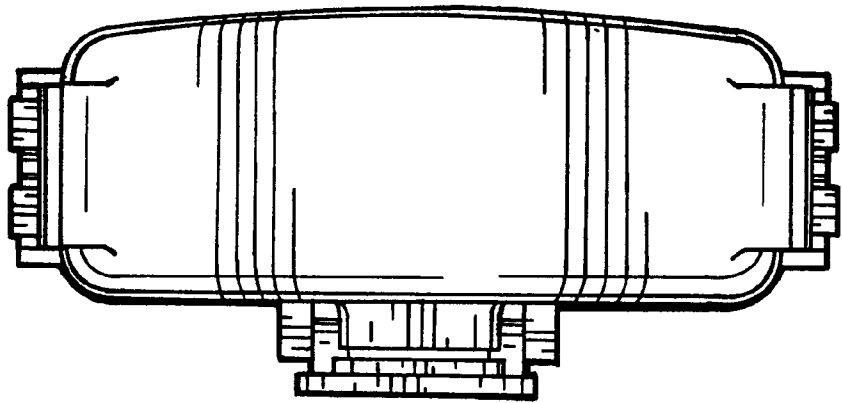


Fig-5

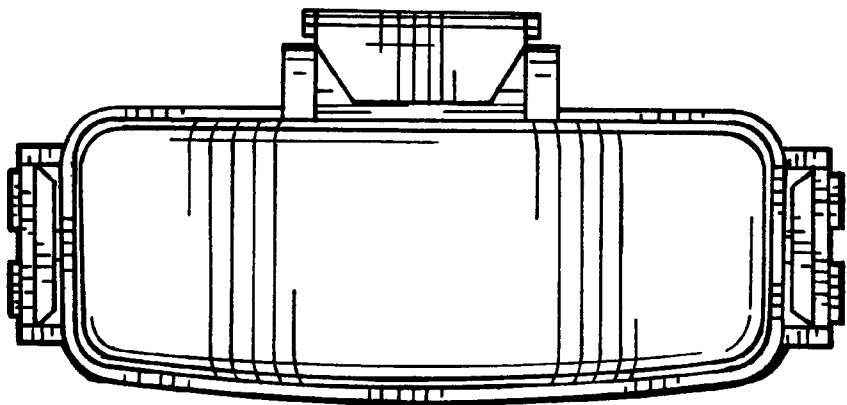


Fig-6