

(19) World Intellectual Property Organization  
International Bureau



(43) International Publication Date  
31 January 2002 (31.01.2002)

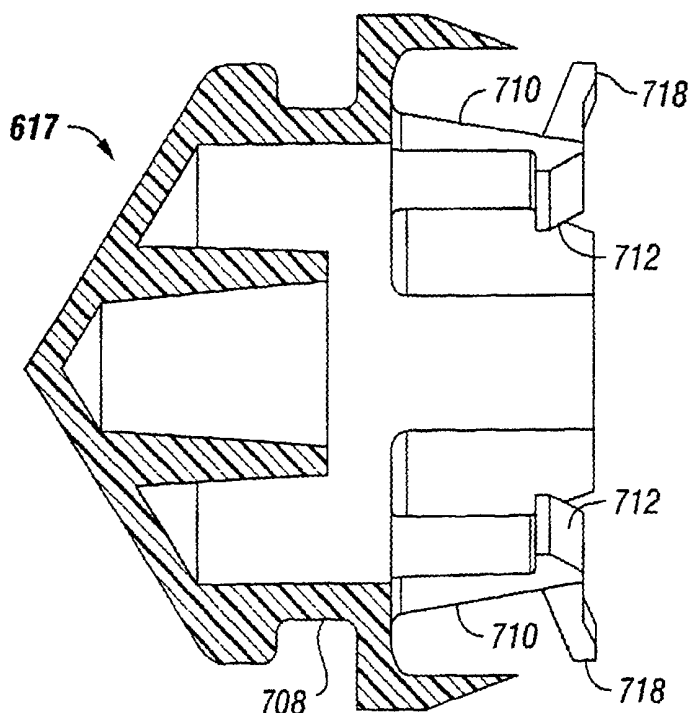
PCT

(10) International Publication Number  
WO 02/07812 A3

- (51) International Patent Classification<sup>7</sup>: A61M 5/145, 5/315
- (21) International Application Number: PCT/US01/22972
- (22) International Filing Date: 20 July 2001 (20.07.2001)
- (25) Filing Language: English
- (26) Publication Language: English
- (30) Priority Data:  
60/219,760 20 July 2000 (20.07.2000) US
- (71) Applicant (for all designated States except US): ACIST MEDICAL SYSTEMS, INC. [US/US]; Suite 150, 7450 Flying Cloud Drive, Eden Prairie, MN 55344 (US).
- (72) Inventors; and
- (75) Inventors/Applicants (for US only): DUCHON, Douglas, J. [US/US]; 9630 Foxford Road, Chanhassen, MN 55317 (US). GEROLD, Jason [US/US]; 478 Market Street, Shakopee, MN 55379 (US). McPEAK, Thomas, J. [US/US]; 389 Alexander Court, Shakopee, MN 55379 (US).
- (74) Agents: INSKEEP, James, W.; Oppenheimer Wolff & Donnelly LLP, Suite 700, 840 Newport Center Drive, Newport Beach, CA 92660-7007 et al. (US).
- (81) Designated States (national): AE, AG, AL, AM, AT, AU, AZ, BA, BB, BG, BR, BY, BZ, CA, CH, CN, CR, CU, CZ, DE, DK, DM, DZ, EC, EE, ES, FI, GB, GD, GE, GH, GM, HR, HU, ID, IL, IN, IS, JP, KE, KG, KP, KR, KZ, LC, LK, LR, LS, LT, LU, LV, MA, MD, MG, MK, MN, MW, MX, MZ, NO, NZ, PL, PT, RO, RU, SD, SE, SG, SI, SK, SL, TJ, TM, TR, TT, TZ, UA, UG, US, UZ, VN, YU, ZA, ZW.
- (84) Designated States (regional): ARIPO patent (GH, GM, KE, LS, MW, MZ, SD, SL, SZ, TZ, UG, ZW), Eurasian patent (AM, AZ, BY, KG, KZ, MD, RU, TJ, TM), European patent (AT, BE, CH, CY, DE, DK, ES, FI, FR, GB, GR, IE, IT, LU, MC, NL, PT, SE, TR), OAPI patent (BF, BJ, CF, CG, CI, CM, GA, GN, GQ, GW, ML, MR, NE, SN, TD, TG).
- Published:  
— with international search report  
— before the expiration of the time limit for amending the claims and to be republished in the event of receipt of amendments

[Continued on next page]

(54) Title: SYRINGE PLUNGER LOCKING MECHANISM



(57) Abstract: A injection system having a syringe body which defines a pumping chamber. A syringe plunger is located in the pumping chamber and is adapted for reciprocal motion within the pumping chamber. The syringe plunger includes a capture member projecting outwardly in a proximal direction. An actuating shaft is coupled to the syringe plunger and is movable through the syringe body to control movement of the syringe plunger. The capture member is adapted to flex radially outwardly when contacted by the actuating shaft to form a releasable engagement with the actuating shaft when the actuating shaft and the capture member are in an engagement position. A release actuator is disposed proximal to the syringe body, and the capture member releases the actuating shaft upon engagement with the release actuator.

WO 02/07812 A3



---

(88) **Date of publication of the international search report:** 10 May 2002 *For two-letter codes and other abbreviations, refer to the "Guidance Notes on Codes and Abbreviations" appearing at the beginning of each regular issue of the PCT Gazette.*

**INTERNATIONAL SEARCH REPORT**

International Application No

PCT/US 01/22972

**A. CLASSIFICATION OF SUBJECT MATTER**  
 IPC 7 A61M5/145 A61M5/315

According to International Patent Classification (IPC) or to both national classification and IPC

**B. FIELDS SEARCHED**

Minimum documentation searched (classification system followed by classification symbols)

IPC 7 A61M

Documentation searched other than minimum documentation to the extent that such documents are included in the fields searched

Electronic data base consulted during the international search (name of data base and, where practical, search terms used)

EPO-Internal

**C. DOCUMENTS CONSIDERED TO BE RELEVANT**

Category *	Citation of document, with indication, where appropriate, of the relevant passages	Relevant to claim No.
X	US 6 080 136 A (TRULL MICHAEL WAYNE ET AL) 27 June 2000 (2000-06-27) column 7, line 39 -column 8, line 26 figures 6-9	1,4
Y	---	2,5,11, 12
Y	EP 0 709 106 A (TAKEDA CHEMICAL INDUSTRIES LTD) 1 May 1996 (1996-05-01) column 14, line 14 - line 42 column 15, line 42 -column 16, line 10 column 16, line 54 -column 17, line 7 abstract; figures 13-16,19	2,5,11, 12
A	---	7
	-/--	

Further documents are listed in the continuation of box C.

Patent family members are listed in annex.

\* Special categories of cited documents :

- \*A\* document defining the general state of the art which is not considered to be of particular relevance
- \*E\* earlier document but published on or after the international filing date
- \*L\* document which may throw doubts on priority claim(s) or which is cited to establish the publication date of another citation or other special reason (as specified)
- \*O\* document referring to an oral disclosure, use, exhibition or other means
- \*P\* document published prior to the international filing date but later than the priority date claimed

- \*T\* later document published after the international filing date or priority date and not in conflict with the application but cited to understand the principle or theory underlying the invention
- \*X\* document of particular relevance; the claimed invention cannot be considered novel or cannot be considered to involve an inventive step when the document is taken alone
- \*Y\* document of particular relevance; the claimed invention cannot be considered to involve an inventive step when the document is combined with one or more other such documents, such combination being obvious to a person skilled in the art.
- \*&\* document member of the same patent family

Date of the actual completion of the international search

8 March 2002

Date of mailing of the international search report

18/03/2002

Name and mailing address of the ISA

European Patent Office, P.B. 5818 Patentlaan 2  
 NL - 2280 HV Rijswijk  
 Tel. (+31-70) 340-2040, Tx. 31 651 epo nl,  
 Fax: (+31-70) 340-3016

Authorized officer

Sedy, R

## INTERNATIONAL SEARCH REPORT

International Application No

PCT/US 01/22972

## C.(Continuation) DOCUMENTS CONSIDERED TO BE RELEVANT

Category °	Citation of document, with indication, where appropriate, of the relevant passages	Relevant to claim No.
A	US RE35979 E (UBER III ARTHUR E ET AL) 1 December 1998 (1998-12-01)  column 9, line 14 - line 23 column 11, line 3 - line 29 figures 16,20,21 ---	14, 15, 18, 22, 26, 30, 32, 34, 36
A	US 5 007 904 A (DENSMORE LARRY L ET AL) 16 April 1991 (1991-04-16) column 5, line 8 - line 36 figures 3,4 ---	21
A	EP 0 395 211 A (LANDRY MAURICE J JR ;PLOUFF FREDERICK L (US)) 31 October 1990 (1990-10-31) column 8, line 43 - line 54 figures 15,16 -----	38, 42

# INTERNATIONAL SEARCH REPORT

Information on patent family members

International Application No

PCT/US 01/22972

Patent document cited in search report	Classification	Publication date	Patent family member(s)	Publication date
US 6080136	A	27-06-2000	AU 9112698 A	16-03-1999
			EP 1019121 A1	19-07-2000
			JP 2001513406 T	04-09-2001
			WO 9910032 A1	04-03-1999
EP 0709106	A	01-05-1996	CA 2159670 A1	31-03-1996
			EP 0709106 A2	01-05-1996
			JP 8150208 A	11-06-1996
			US 5688252 A	18-11-1997
US RE35979	E	01-12-1998	US 4677980 A	07-07-1987
			AT 51525 T	15-04-1990
			AT 93149 T	15-09-1993
			DE 3576915 D1	10-05-1990
			DE 3587540 D1	23-09-1993
			DE 3587540 T2	09-12-1993
			EP 0170009 A1	05-02-1986
			EP 0346950 A2	20-12-1989
US 5007904	A	16-04-1991	NONE	
EP 0395211	A	31-10-1990	US 5090962 A	25-02-1992
			AT 115870 T	15-01-1995
			AU 5377390 A	01-11-1990
			DE 69015245 D1	02-02-1995
			DE 69015245 T2	03-08-1995
			DK 395211 T3	06-06-1995
			EP 0395211 A2	31-10-1990
			ES 2070275 T3	01-06-1995
			GR 3015516 T3	30-06-1995
			JP 2302266 A	14-12-1990
			MX 174190 B	27-04-1994
			US 5127906 A	07-07-1992