

(19) World Intellectual Property  
Organization  
International Bureau



(43) International Publication Date  
3 February 2005 (03.02.2005)

PCT

(10) International Publication Number  
WO 2005/010459 A3

(51) International Patent Classification<sup>7</sup>: G01B 3/10

(21) International Application Number:  
PCT/US2004/022413

(22) International Filing Date: 13 July 2004 (13.07.2004)

(25) Filing Language: English

(26) Publication Language: English

(30) Priority Data:  
60/487,786 16 July 2003 (16.07.2003) US  
10/863,304 8 June 2004 (08.06.2004) US

(71) Applicant and

(72) Inventor: BROHAMMER, Lawrence, F. [US/US];  
21011 North 123rd Drive, Sun City West, AZ 85375 (US).

(74) Agent: GOLTRY, Michael, W.; 340 East Palm Lane,  
Suite 260, Phoenix, AZ 85004 (US).

(81) Designated States (unless otherwise indicated, for every  
kind of national protection available): AE, AG, AL, AM,  
AT, AU, AZ, BA, BB, BG, BR, BW, BY, BZ, CA, CH, CN,

CO, CR, CU, CZ, DE, DK, DM, DZ, EC, EE, EG, ES, FI,  
GB, GD, GE, GH, GM, HR, HU, ID, IL, IN, IS, JP, KE,  
KG, KP, KR, KZ, LC, LK, LR, LS, LT, LU, LV, MA, MD,  
MG, MK, MN, MW, MX, MZ, NA, NI, NO, NZ, OM, PG,  
PH, PL, PT, RO, RU, SC, SD, SE, SG, SK, SL, SY, TJ, TM,  
TN, TR, TT, TZ, UA, UG, US, UZ, VC, VN, YU, ZA, ZM,  
ZW.

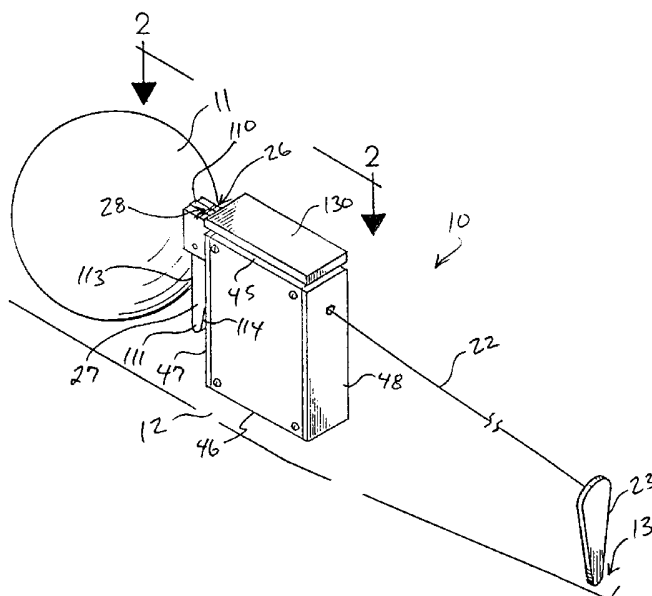
(84) Designated States (unless otherwise indicated, for every  
kind of regional protection available): ARIPO (BW, GH,  
GM, KE, LS, MW, MZ, NA, SD, SL, SZ, TZ, UG, ZM,  
ZW), Eurasian (AM, AZ, BY, KG, KZ, MD, RU, TJ, TM),  
European (AT, BE, BG, CH, CY, CZ, DE, DK, EE, ES, FI,  
FR, GB, GR, HU, IE, IT, LU, MC, NL, PL, PT, RO, SE, SI,  
SK, TR), OAPI (BF, BJ, CF, CG, CI, CM, GA, GN, GQ,  
GW, ML, MR, NE, SN, TD, TG).

Published:  
— with international search report

(88) Date of publication of the international search report:  
7 April 2005

For two-letter codes and other abbreviations, refer to the "Guidance Notes on Codes and Abbreviations" appearing at the beginning of each regular issue of the PCT Gazette.

(54) Title: MEASURING DEVICE



(57) Abstract: A measuring device includes a spool mounted in a housing having opposing front and rear ends. A string is wound about the spool, and has an end attached to a marker located outside the housing. The string winds and unwinds relative to the spool upon rotation thereof. A rocker arm, which carries a first reference mark, is pivotally attached to a support attached to the housing at the front end thereof. The rocker arm carries a second reference mark, which can be aligned with the first reference mark by pivoting the rocker arm. A brake is mounted in the housing, which moves between a first position against the spool inhibiting its rotation, and a second position away from the spool permitting its rotation. The brake is biased for movement in its first position, and a handle is provided for operating the brake.

WO 2005/010459 A3

# INTERNATIONAL SEARCH REPORT

International application no.

PCT/US04/22413

<b>A. CLASSIFICATION OF SUBJECT MATTER</b> IPC(7) : G01B 3/10 US CL : 33/756, 759; 273/108, 118R According to International Patent Classification (IPC) or to both national classification and IPC		
<b>B. FIELDS SEARCHED</b> Minimum documentation searched (classification system followed by classification symbols) U.S. : 33/755, 756, 759-761, 767, 770, 501.05, 501.08, 613, 645; 273/108, 118R; 473/54 Documentation searched other than minimum documentation to the extent that such documents are included in the fields searched NONE Electronic data base consulted during the international search (name of data base and, where practicable, search terms used) EAST		
<b>C. DOCUMENTS CONSIDERED TO BE RELEVANT</b>		
Category *	Citation of document, with indication, where appropriate, of the relevant passages	Relevant to claim No.
A	US 2,632,952 A (MALLOW) 31 March 1953 (31.03.1953), see entire document.	1-20
A	US 4,977,684 A (MOSMAN) 18 December 1990 (18.12.1990), see entire document.	1-20
A	US 5,465,962 A (HISERMAN) 14 November 1995 (14.11.1995), see entire document.	1-20
A,P	US 6,754,974 B2 (BASSOLINO et al) 29 June 2004 (29.06.2004), see entire document.	1-20
A	US 2002/0073570 A1 (CONDER) 20 June 2002 (20.06.2002), see entire document.	1-20
A	US 2002/0088133 A1 (MCMILLAN) 11 July 2002 (11.07.2002), see entire document.	1-20
A	US 1,679,178 A (SHILLMAN) 31 July 1928 (31.07.1928), see entire document.	1-20
<input type="checkbox"/> Further documents are listed in the continuation of Box C. <input type="checkbox"/> See patent family annex.		
* Special categories of cited documents: "A" document defining the general state of the art which is not considered to be of particular relevance "E" earlier application or patent published on or after the international filing date "L" document which may throw doubts on priority claim(s) or which is cited to establish the publication date of another citation or other special reason (as specified) "O" document referring to an oral disclosure, use, exhibition or other means "P" document published prior to the international filing date but later than the priority date claimed		"T" later document published after the international filing date or priority date and not in conflict with the application but cited to understand the principle or theory underlying the invention "X" document of particular relevance; the claimed invention cannot be considered novel or cannot be considered to involve an inventive step when the document is taken alone "Y" document of particular relevance; the claimed invention cannot be considered to involve an inventive step when the document is combined with one or more other such documents, such combination being obvious to a person skilled in the art "&" document member of the same patent family
Date of the actual completion of the international search 09 January 2005 (09.01.2005)		Date of mailing of the international search report <b>19 JAN 2005</b>
Name and mailing address of the ISA/US Mail Stop PCT, Attn: ISA/US Commissioner for Patents P.O. Box 1450 Alexandria, Virginia 22313-1450 Facsimile No. (703) 305-3230		Authorized officer JOSE G. DEES Telephone No. (571) 272-1607 