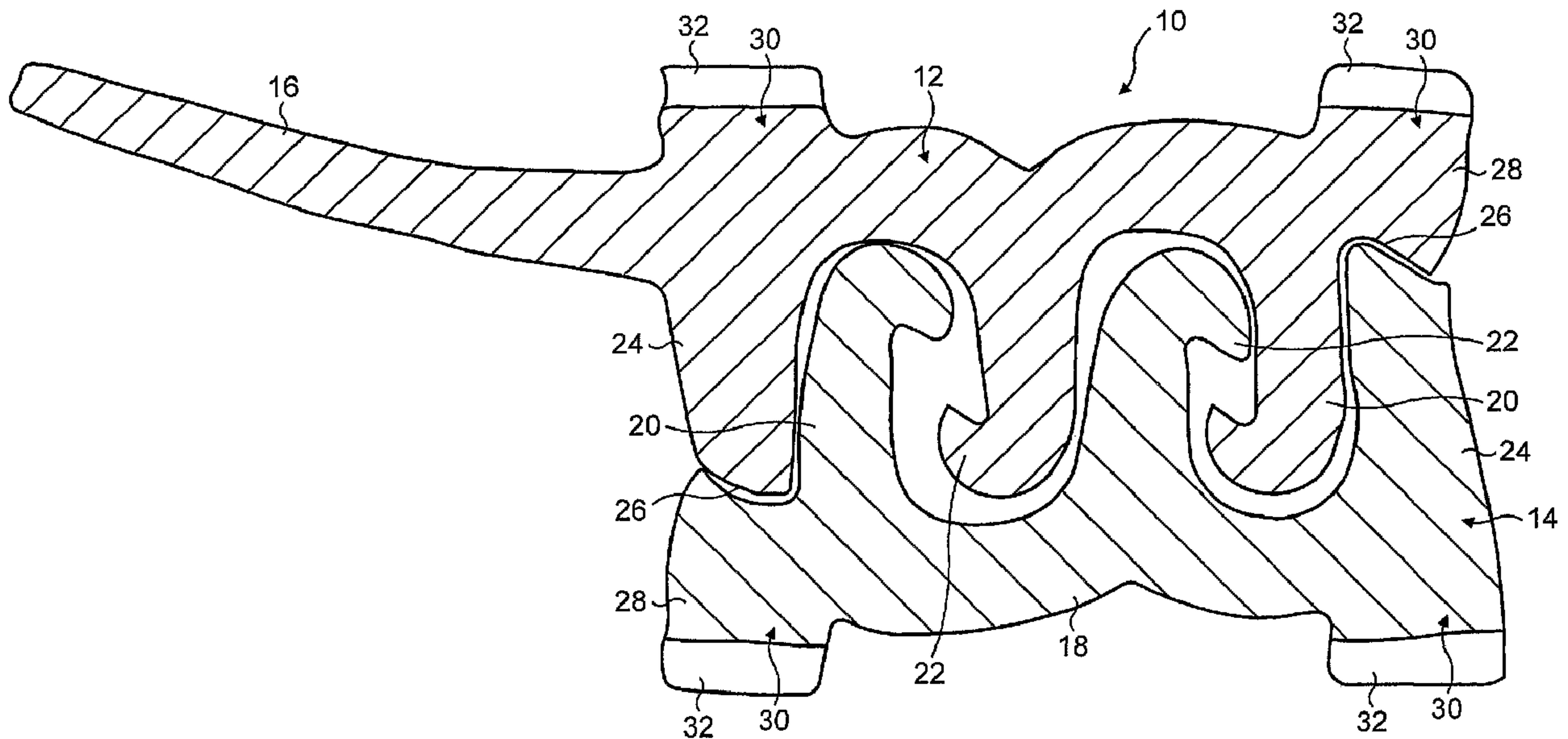




(86) Date de dépôt PCT/PCT Filing Date: 2001/07/05  
 (87) Date publication PCT/PCT Publication Date: 2002/01/17  
 (45) Date de délivrance/Issue Date: 2009/12/08  
 (85) Entrée phase nationale/National Entry: 2002/03/08  
 (86) N° demande PCT/PCT Application No.: GB 2001/002971  
 (87) N° publication PCT/PCT Publication No.: 2002/004298  
 (30) Priorité/Priority: 2000/07/11 (GB0016894.8)

(51) Cl.Int./Int.Cl. *A44B 19/16* (2006.01),  
*B65D 33/25* (2006.01)  
 (72) Inventeur/Inventor:  
OFFA-JONES, MARTIN JOHN CHARLES, GB  
 (73) Propriétaire/Owner:  
ILLINOIS TOOL WORKS, INC., US  
 (74) Agent: GOUDREAU GAGE DUBUC

(54) Titre : ELEMENTS DE FIXATION REFERMABLES POUR SACS EN PLASTIQUE ET AUTRES RECEPTACLES  
 (54) Title: RECLOSABLE FASTENERS FOR PLASTICS BAGS AND OTHER CONTAINERS



(57) Abrégé/Abstract:

A zipper (10) for application to a film or web using cross-web techniques comprises two interengageable elements (12, 14), each having engageable hooks (20, 22), and each having an upstanding post (24) at the margin of the fastener which is engageable with a heel (28) at the opposing margin of the other element, with the respective posts (24) and heels (28) being complementarily angled (26) at their respective contact surfaces. This enables the closure more easily to resist pressure without distortion.

ABSTRACTRECLOSABLE FASTENERS FOR PLASTICS BAGSAND OTHER CONTAINERS

5

A zipper (10) for application to a film or web using cross-web techniques comprises two interengageable elements (12, 14), each having engageable hooks (20, 22), and each having an upstanding post (24) at the margin of the fastener which is engageable with a heel (28) at the opposing margin of the other element, with the respective posts (24) and heels (28) being complementarily angled (26) at their respective contact surfaces. This enables the closure more easily to resist pressure without distortion.

10  
15

RECLOSABLE FASTENERS FOR PLASTICS BAGS AND OTHER CONTAINERSField of the invention

This invention relates to reclosable fasteners, otherwise known as zippers, for plastics bags and other containers, and 5 is particularly concerned with zippers intended to be applied to a film or web using cross-web techniques.

Background to the invention

When a zipper strip is applied to a film or web, heat and pressure are applied to effect the welding of the zipper to 10 the film or web. The heat and/or the pressure can result in damage to the closure. Various measures have been adopted to try to minimise the effects of the heat and pressure. However, it can still happen that the zipper is damaged or distorted as a result of these external influences.

15 Summary of the invention

It is an object of the present invention to provide an improved design of zipper which is resistant to distortion or damage due to the welding heat and/or pressure.

In accordance with the present invention there is 20 provided a reclosable fastener for plastics bags and other containers, comprising two elements, each element comprising at least one portion releasably engageable with a portion of the other element, and each element comprising an upstanding post at the margin of the fastener which is engageable with 25 a heel of the other element at the opposing margin of said other element, wherein the respective posts and heels of the two elements are complementarily angled at their respective contact surfaces.

The fact that the respective contact surfaces of the 30 posts and heels are angled or mitred enables the closure more easily to resist pressure without distortion and without the

hooks being squashed. The margins of the closure are more easily able to resist bending and to maintain their desired supporting function.

The releasably engageable portions are preferably hooked  
5 portions.

Preferably, each of the elements of the closure is provided with two hooks, engageable with the hooks of the other element.

In a preferred embodiment of the invention, and with a  
10 view particularly to resisting distortion or damage due to heat, each of the elements is provided at or adjacent to its margins, on the face remote from the hook or hooks, with a pair of protruding ribs which provide additional bulk at these marginal zones. The ribs are preferably overlaid each with a  
15 layer of high performance sealing/welding material, such as EVA (ethylene vinyl acetate) for example.

In a preferred embodiment of the invention, a single long flange is provided on one only of the two interengageable elements of the closure, this flange being arranged to face  
20 the inside of the bag and being used for initial attachment to the film or web.

#### Brief description of the drawings

In order that the invention may be more fully understood, one presently preferred embodiment of zipper in accordance  
25 with the invention will now be described by way of example and with reference to the accompanying drawing which is a schematic cross-sectional view through the zipper.

#### Description of the preferred embodiment

Referring to the drawing, there is shown a zipper,  
30 indicated generally at 10, comprising a first element 12 and a second element 14. The two elements 12 and 14 are generally—

the same as each other, apart from the fact that element 12 is provided with a single elongate flange 16. Each element 12, 14 comprises a body portion 18 with two upstanding legs 20 which terminate in hooks 22. The respective hooks 22 of the two elements 12 and 14 are interengageable to make the reclosable fastener.

Each element 12, 14 also comprises an upstanding support post 24 at one margin. The support post 24 is slightly longer than the hooked legs 20, 22 so that it extends slightly beyond the tops of the legs. The upper end surface 26 of each post 24 is tapered to provide an angled contact surface. Facing each support post 24, on the opposing element, there is provided a heel portion 28, again at the margin. The surface of each heel portion 28 facing the respective post 24 is shaped, i.e. angled, to be complementary to the angled contact surface 26. As can be seen from the drawing, with this arrangement, the respective posts and heels nest with one another to provide a shape-locking configuration which tends to resist squashing or outward bending under vertical loads. The angled contact surfaces are able to absorb the welding pressure and maintain their linear integrity, thus preventing the hooked legs 20, 22 from being squashed or distorted.

In order to reduce the effects of the welding heat, each of the closure elements 12 and 14 is provided with a pair of ribs 30 on the outside face remote from the legs 20. The respective ribs 30 are provided again at the margins of the closure, in alignment with the posts 24 and heel portions 28. The ribs 30 are provided by a thickening of the material of which each of the two elements is composed. Because of the additional bulk provided by the ribs 30, they also contribute to the resistance of the closure to deformation due to

pressure. On each rib 30 there is provided a layer 32 of a material which is a high-performance sealing/welding material or blend of materials, such as EVA for example. This facilitates the welding of the zipper to the encompassing web 5 or film (not shown). The layers 32 are co-extruded with the closure elements 12 and 14.

The single long flange 16 which is part of element 12 is arranged to face the inside of the bag or container. This flange is used for initial attachment to the film or web as 10 the zipper is applied to the web by a cross-web technique. The provision of a single long flange provides increased internal strength to the bag by altering the angle at which the load in the bag acts against the zipper closure.

## CLAIMS:

1. A reclosable fastener for plastics bags, comprising two elements, each element comprising at least one portion releasably engageable with a portion of the other element, and each element comprising a body portion and a post at a lateral edge of the fastener which is upstanding from the body portion and is engageable with a heel on the body portion of the other element at an opposing lateral edge of said other element, wherein the respective posts and heels of the two elements are complementarily angled at respective contact surfaces, and wherein, when the elements are engaged with each other, the engagement between the posts and heels at the angled contact surfaces is such as to prevent distortion of the releasably engageable portions of the elements under application of a load urging the elements together.

2. The reclosable fastener as claimed in claim 1, in which the releasably engageable portions are hooked portions.

3. The reclosable fastener as claimed in claim 2, in which the hooked portions comprise two hooks on each of the elements, the hooks of one element being engageable with the hooks of the other element.

4. The reclosable fastener as claimed in claim 3, in which the body portion of each of the elements is provided at or adjacent to its lateral edges, on the face remote from the hooks, with a pair of protruding ribs.

5. The reclosable fastener as claimed in claim 4, in which each of the ribs is overlaid with a layer of sealing/welding material.

5

6. The reclosable fastener as claimed in claim 5, in which the sealing/welding material is an ethylene vinyl acetate copolymer.

10

7. The reclosable fastener as claimed in any one of claims 1 to 6, in which a single flange is provided on one only of the two elements, for attachment to a film or web.

