

(56)

References Cited

U.S. PATENT DOCUMENTS

6,477,872	B1 *	11/2002	Denton, Jr.	E05B 67/36 70/100
D498,407	S *	11/2004	Layton	D8/331
D524,633	S	7/2006	Robert et al.	
D616,722	S	6/2010	Shin	
7,841,327	B2	11/2010	Sopinsky et al.	
8,157,839	B2	4/2012	Riskin et al.	
8,402,798	B2	3/2013	Brojanac et al.	
8,696,692	B2 *	4/2014	Hoglund	A61B 17/12009 606/151
D710,183	S	8/2014	Huddleston	
2009/0270923	A1 *	10/2009	Tormala	A61B 17/823 606/263

* cited by examiner

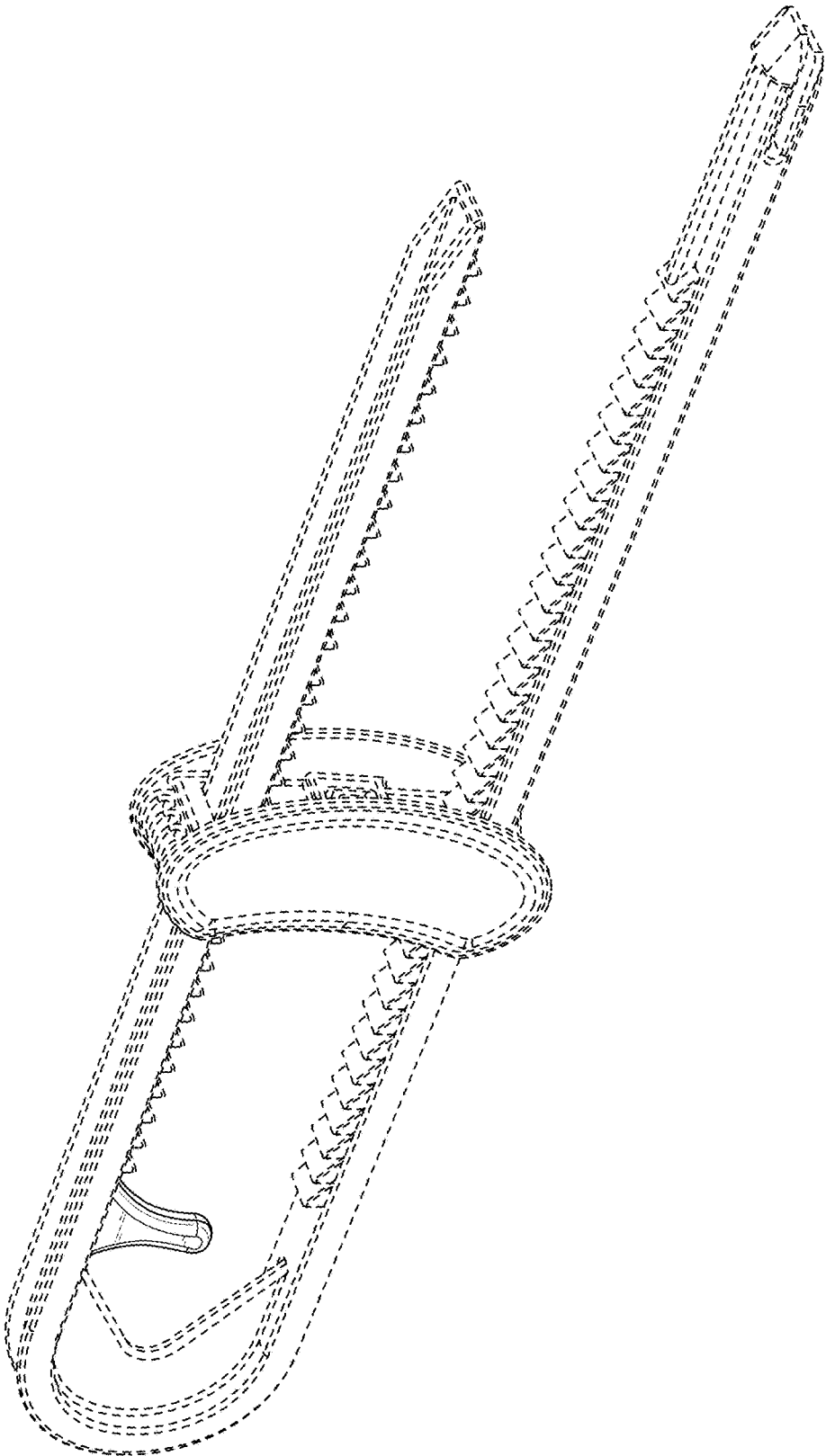


FIG. 1

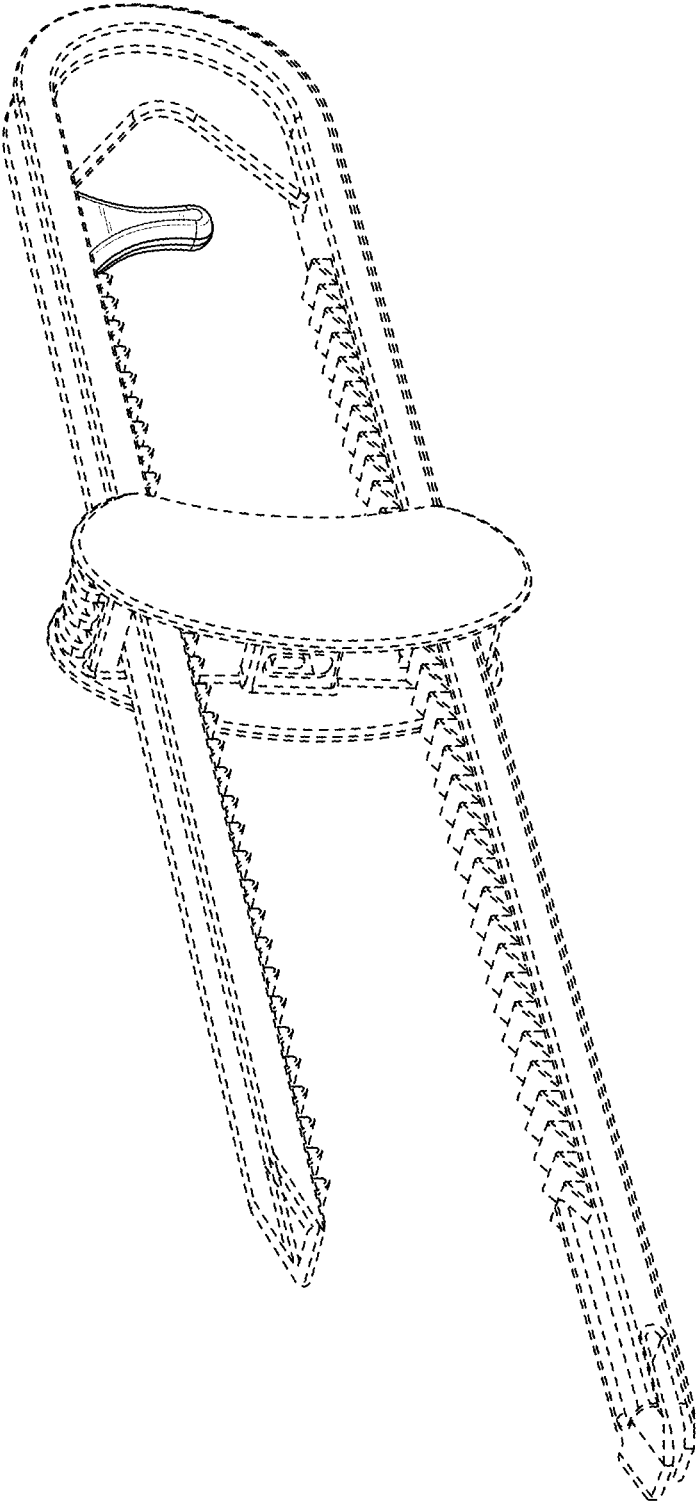


FIG. 2

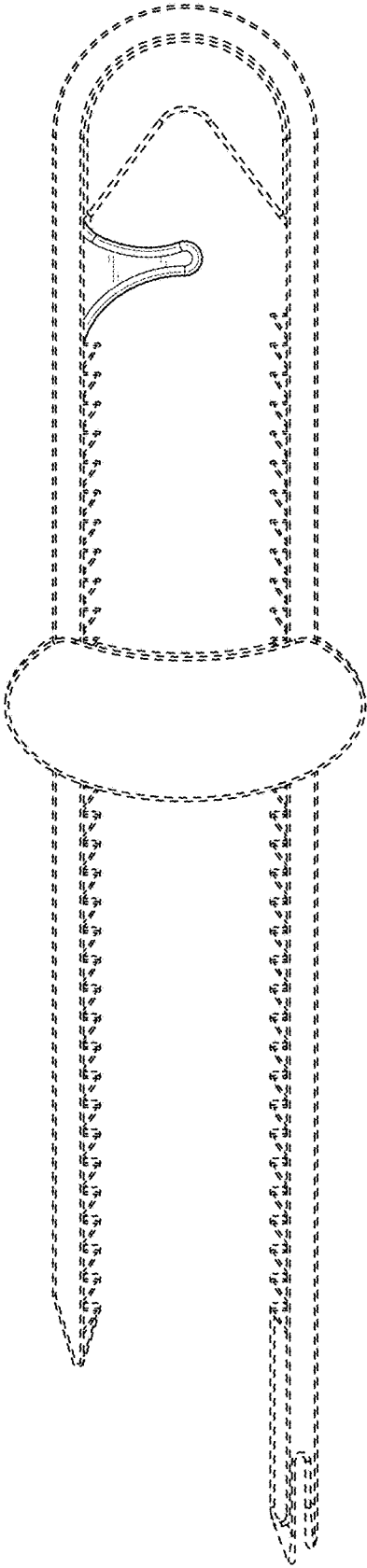


FIG. 3

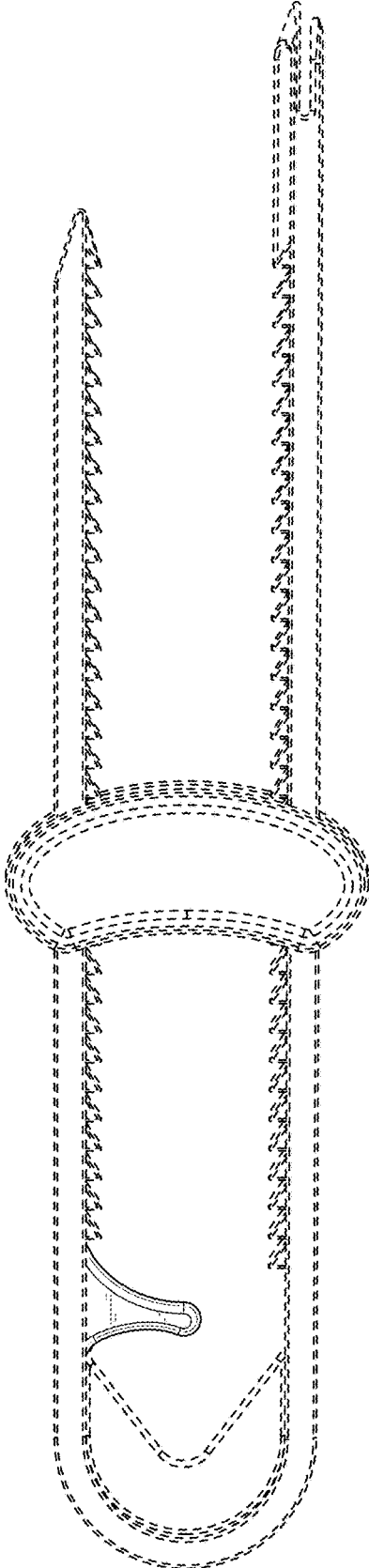


FIG. 4

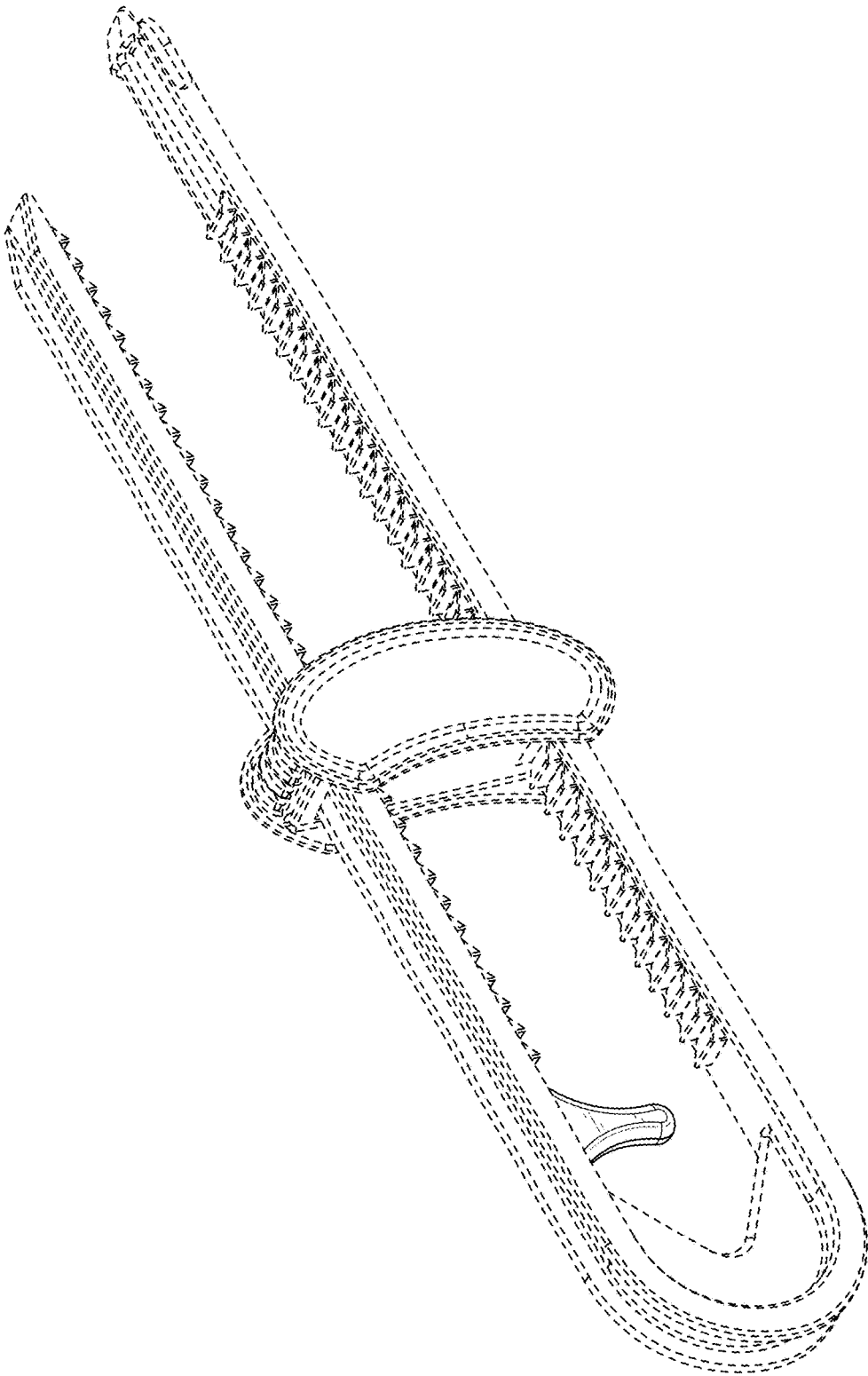


FIG. 5

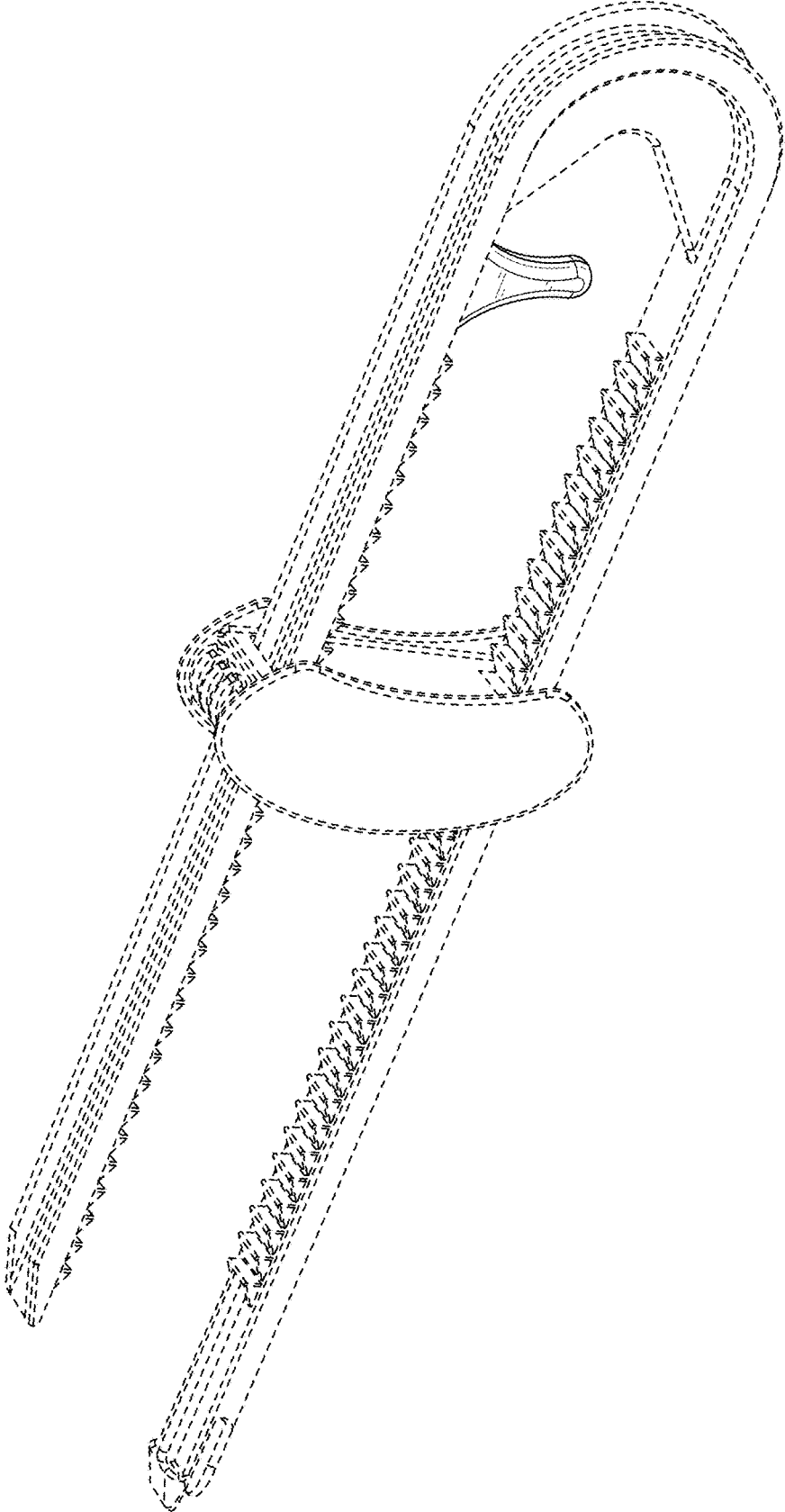


FIG. 6

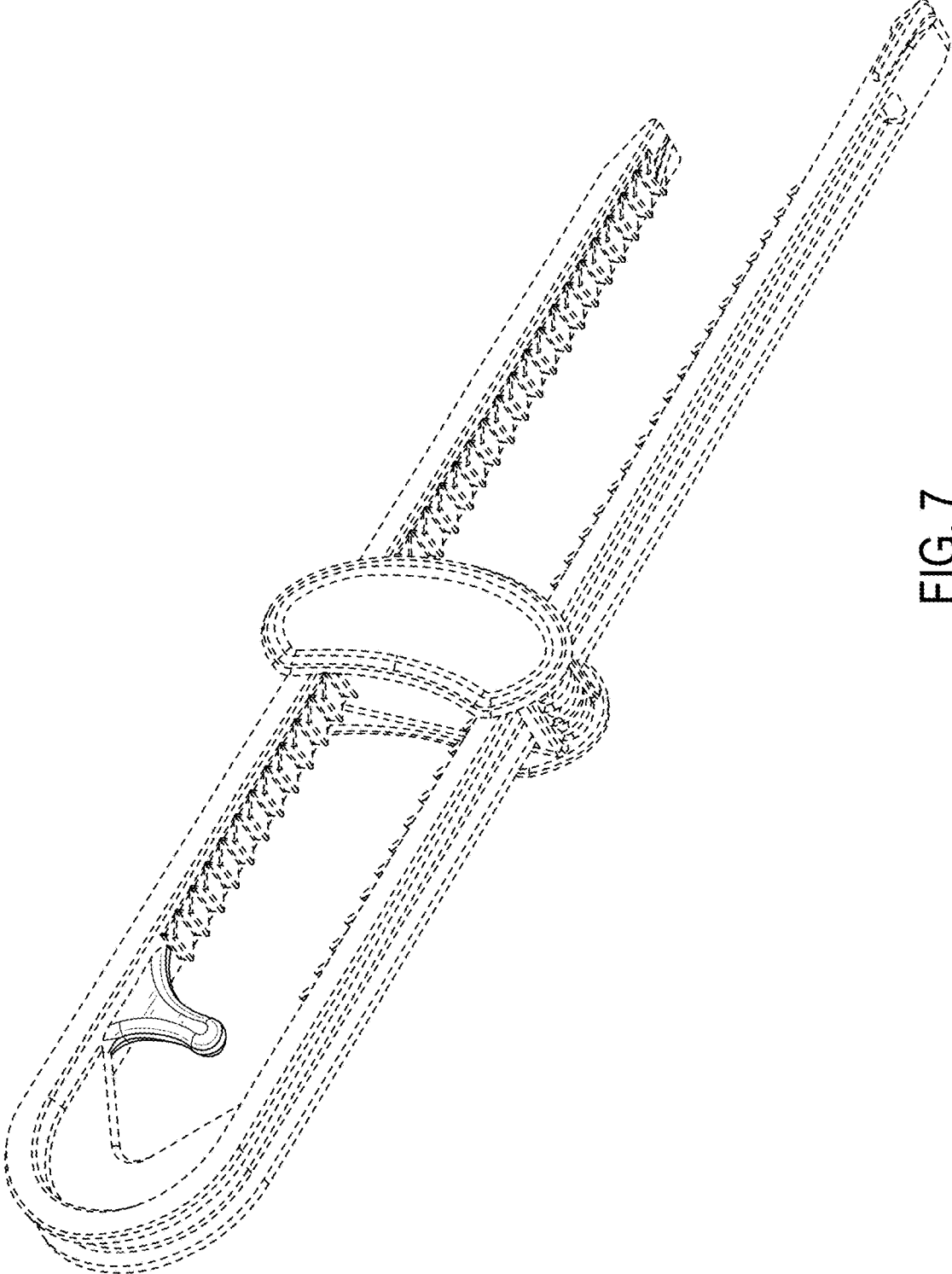


FIG. 7

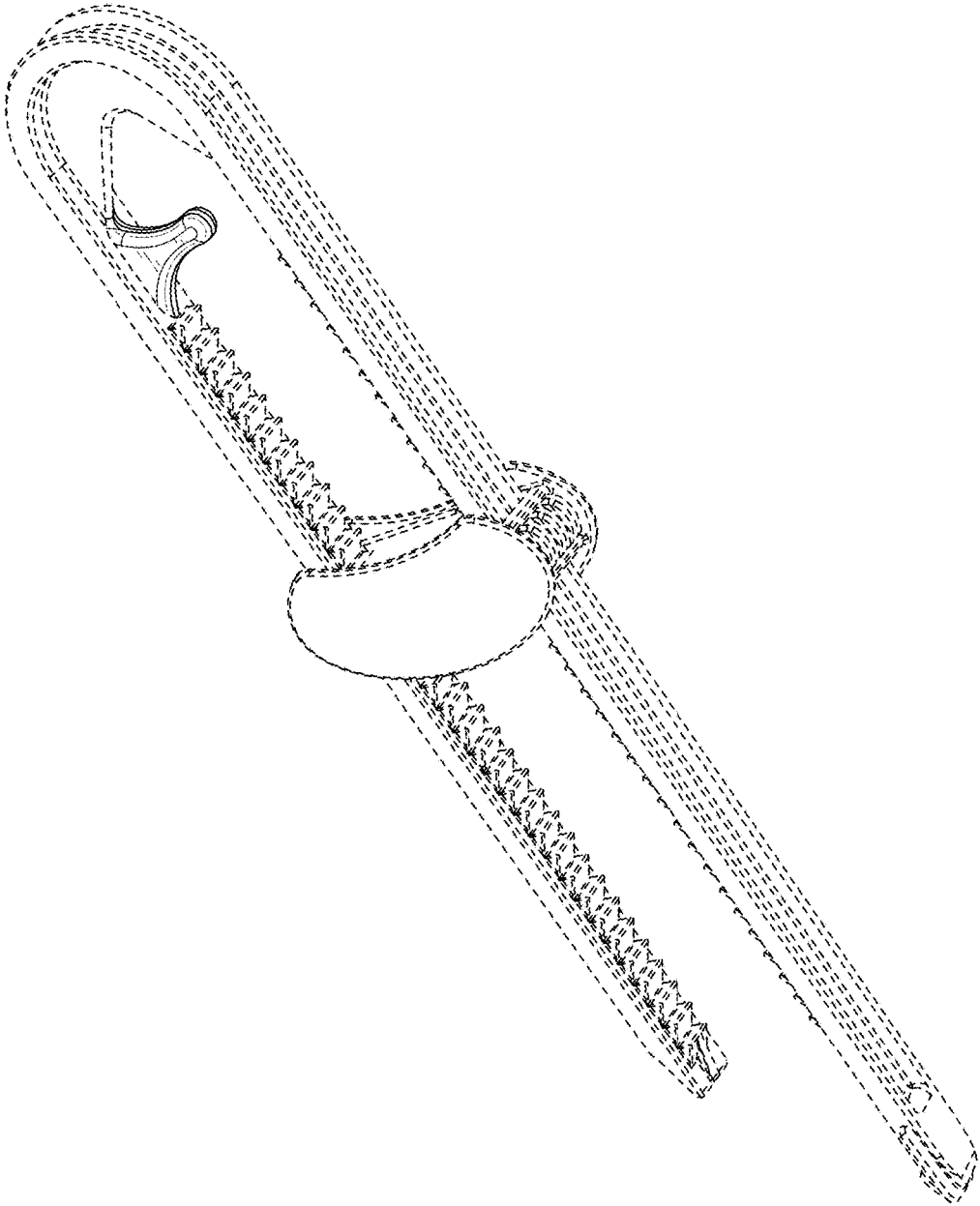


FIG. 8

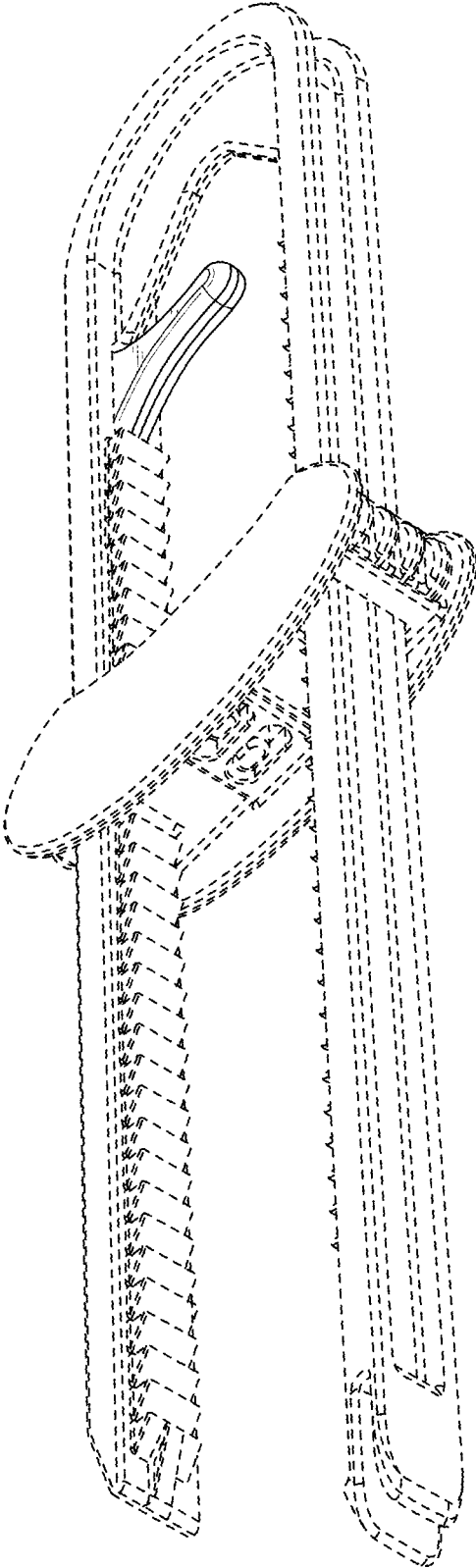


FIG. 9

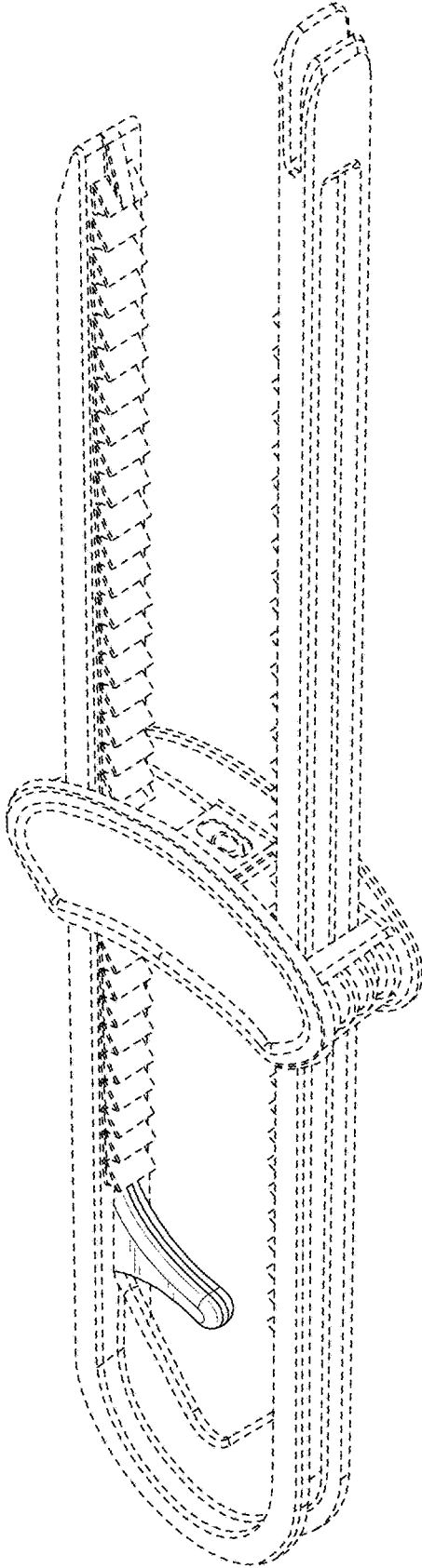


FIG. 10



FIG. 11



FIG. 12