



US00D706925S

(12) **United States Design Patent**  
**Reyers**

(10) **Patent No.:** **US D706,925 S**

(45) **Date of Patent:** **\*\* Jun. 10, 2014**

- (54) **NASAL DILATOR**
- (71) Applicant: **L. Perrigo Company**, Allegan, MI (US)
- (72) Inventor: **Daniel J. Reyers**, Grand Rapids, MI (US)
- (73) Assignee: **L. Perrigo Company**, Allegan, MI (US)
- (\*\*) Term: **14 Years**
- (21) Appl. No.: **29/445,782**
- (22) Filed: **Feb. 15, 2013**
- (51) **LOC (10) Cl.** ..... **24-02**
- (52) **U.S. Cl.**  
USPC ..... **D24/135**
- (58) **Field of Classification Search**  
USPC ..... D24/133, 135, 136; 606/191-199  
See application file for complete search history.
- (56) **References Cited**

U.S. PATENT DOCUMENTS

5,476,091 A	12/1995	Johnson
5,533,499 A	7/1996	Johnson
5,533,503 A	7/1996	Doubek et al.
5,546,929 A	8/1996	Muchin
5,549,103 A	8/1996	Johnson
5,553,605 A	9/1996	Muchin
5,611,333 A	3/1997	Johnson
5,611,334 A	3/1997	Muchin
D379,513 S	5/1997	Ierulli
5,653,224 A	8/1997	Johnson
5,706,800 A	1/1998	Cronk et al.
5,718,224 A	2/1998	Muchin
5,769,089 A	6/1998	Hand et al.
5,842,469 A	12/1998	Rapp et al.
5,890,486 A	4/1999	Mitra et al.
5,957,126 A	9/1999	Neeser
6,029,658 A	2/2000	De Voss
D422,358 S	4/2000	Lundy, Jr. et al.
D422,702 S	4/2000	Lundy, Jr. et al.

D422,703 S	4/2000	Lundy, Jr. et al.
6,058,931 A	5/2000	Muchin
6,065,470 A	5/2000	Van Cromvoirt et al.
D429,332 S	8/2000	Ierulli
D430,295 S	8/2000	Ierulli
6,098,616 A	8/2000	Lundy, Jr. et al.
D432,652 S	10/2000	Ierulli
D434,146 S	11/2000	Ierulli
D437,641 S	2/2001	Ierulli
6,196,228 B1	3/2001	Kreitzer et al.
6,203,560 B1	3/2001	Blach et al.
6,244,265 B1	6/2001	Cronk et al.
6,276,360 B1	8/2001	Cronk et al.
6,318,362 B1	11/2001	Johnson

(Continued)

FOREIGN PATENT DOCUMENTS

ES 289561 10/1985

*Primary Examiner* — Bridget L Eland

(74) *Attorney, Agent, or Firm* — Price Heneveld LLP

(57) **CLAIM**

I claim the ornamental design for a nasal dilator, as shown and described.

**DESCRIPTION**

FIG. 1 is a perspective view of the nasal dilator of the present invention, shown positioned on a user's nose;

FIG. 2 is a top plan view of the nasal dilator shown in FIG. 1;

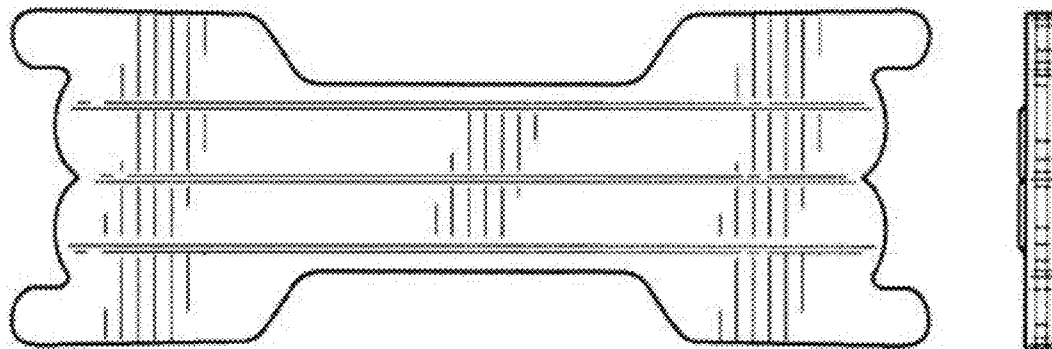
FIG. 3 is a front elevational view of the nasal dilator shown in FIG. 2;

FIG. 4 is a right side elevational view of the nasal dilator shown in FIG. 2; and,

FIG. 5 is a bottom plan view of the nasal dilator shown in FIG. 2.

The broken lines showing the human face are directed to environment and are for illustrative purposes only; the broken lines form no part of the claimed design.

**1 Claim, 1 Drawing Sheet**



(56)

References Cited

U.S. PATENT DOCUMENTS

6,328,754	B1	12/2001	Marten et al.	8,051,850	B2	11/2011	Kwok et al.
6,352,548	B1	3/2002	Blach et al.	8,062,329	B2	11/2011	Ierulli
6,357,436	B1	3/2002	Kreitzer et al.	D651,710	S	1/2012	Brogden et al.
6,375,667	B1	4/2002	Ruch	D659,245	S	5/2012	Ierulli
6,453,901	B1	9/2002	Ierulli	8,182,505	B2	5/2012	Blach et al.
6,470,883	B1	10/2002	Beaudry	8,188,330	B2	5/2012	Beaudry
6,478,023	B1	11/2002	Lockwood	D662,203	S	6/2012	Smith
6,550,474	B1	4/2003	Anderson et al.	D667,543	S	9/2012	Ierulli
6,570,051	B1	5/2003	Beaudry	D671,643	S	11/2012	Ierulli
6,603,051	B1	8/2003	Beaudry	D672,461	S	12/2012	Brogden et al.
6,631,714	B2	10/2003	Von Duyke et al.	D672,872	S	12/2012	Brunner et al.
6,676,681	B1	1/2004	Blach et al.	D673,270	S	12/2012	Brunner et al.
6,694,970	B2	2/2004	Spinelli et al.	8,342,173	B2	1/2013	Lockwood, Jr.
D490,897	S	6/2004	Ruch	2003/0005938	A1	1/2003	Lockwood
6,768,039	B1	7/2004	Beaudry	2005/0081857	A1	4/2005	Fenton
6,769,428	B2	8/2004	Cronk	2006/0000472	A1	1/2006	Fenton
6,769,429	B1	8/2004	Benetti	2008/0097517	A1	4/2008	Holmes et al.
6,823,864	B2	11/2004	Blach et al.	2008/0184995	A1	8/2008	Ierulli
6,982,359	B1	1/2006	Beaudry	2009/0000616	A9	1/2009	Fenton
7,011,093	B2	3/2006	Anderson et al.	2009/0125052	A1	5/2009	Pinna et al.
7,013,889	B2	3/2006	Cronk et al.	2009/0234383	A1	9/2009	Ierulli
7,022,891	B2	4/2006	Beaudry	2010/0298861	A1	11/2010	Fenton
7,067,710	B1	6/2006	Beaudry	2011/0000483	A1	1/2011	Matthias et al.
7,114,495	B2	10/2006	Lockwood, Jr.	2011/0027353	A1	2/2011	Cronk et al.
7,186,878	B2	3/2007	Beaudry	2011/0054517	A1	3/2011	Holmes et al.
7,456,332	B2	11/2008	Beaudry	2011/0093004	A1	4/2011	Ierulli
7,541,510	B2	6/2009	Beaudry	2011/0166594	A1	7/2011	Eull et al.
7,568,580	B2	8/2009	Fenton	2011/0224717	A1	9/2011	Lockwood, Jr.
D639,762	S	6/2011	Brogden et al.	2011/0295312	A1	12/2011	Ierulli
D644,324	S	8/2011	Brunner et al.	2012/0004683	A1	1/2012	Gray et al.
D644,325	S	8/2011	Brunner et al.	2012/0022582	A1	1/2012	Guyuron
8,026,405	B2	9/2011	Beaudry	2012/0059406	A1	3/2012	Blach et al.
8,047,201	B2	11/2011	Guyuron	2012/0067345	A1	3/2012	Shilon
				2012/0172923	A1	7/2012	Fenton et al.
				2012/0209313	A1	8/2012	Ierulli
				2013/0104882	A1*	5/2013	Ierulli
							..... 128/200.24

\* cited by examiner

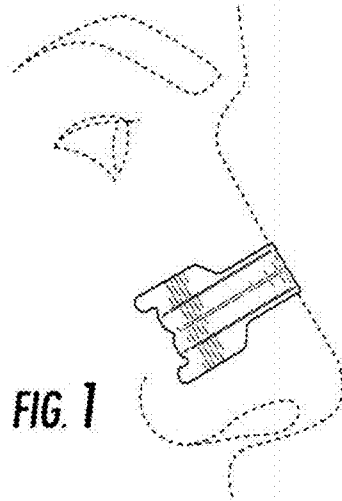


FIG. 1

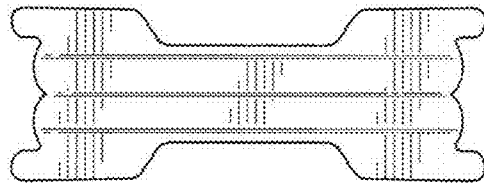


FIG. 2



FIG. 4



FIG. 3

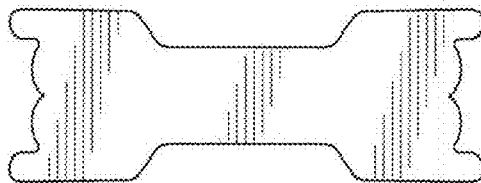


FIG. 5