



- (51) **International Patent Classification:**
E21B 21/00 (2006.01) *E21B 21/08* (2006.01)
E21B 21/06 (2006.01)
- (21) **International Application Number:**
PCT/EP20 12/06171 1
- (22) **International Filing Date:**
19 June 2012 (19.06.2012)
- (25) **Filing Language:** English
- (26) **Publication Language:** English
- (30) **Priority Data:**
201 10918 27 June 2011 (27.06.2011) NO
- (71) **Applicant (for all designated States except US):** **AKER MH AS** [NO/NO]; P.O.Box 413, Lundsiden, N-4604 Kristiansand (NO).
- (72) **Inventor; and**
- (75) **Inventor/Applicant (for US only):** **VAVIK, Dag** [NO/NO]; Odderhei Plata 60, N-4639 Kristiansand (NO).
- (74) **Agents:** **ROBSAHM RØHMEN, Anette** et al; c/o On-sagers AS, P.O. Box 1813 Vika, N-0123 Oslo (NO).
- (81) **Designated States (unless otherwise indicated, for every kind of national protection available):** AE, AG, AL, AM, AO, AT, AU, AZ, BA, BB, BG, BH, BR, BW, BY, BZ,

CA, CH, CL, CN, CO, CR, CU, CZ, DE, DK, DM, DO, DZ, EC, EE, EG, ES, FI, GB, GD, GE, GH, GM, GT, HN, HR, HU, ID, IL, IN, IS, JP, KE, KG, KM, KN, KP, KR, KZ, LA, LC, LK, LR, LS, LT, LU, LY, MA, MD, ME, MG, MK, MN, MW, MX, MY, MZ, NA, NG, NI, NO, NZ, OM, PE, PG, PH, PL, PT, QA, RO, RS, RU, RW, SC, SD, SE, SG, SK, SL, SM, ST, SV, SY, TH, TJ, TM, TN, TR, TT, TZ, UA, UG, US, UZ, VC, VN, ZA, ZM, ZW.

(84) **Designated States (unless otherwise indicated, for every kind of regional protection available):** ARIPO (BW, GH, GM, KE, LR, LS, MW, MZ, NA, RW, SD, SL, SZ, TZ, UG, ZM, ZW), Eurasian (AM, AZ, BY, KG, KZ, RU, TJ, TM), European (AL, AT, BE, BG, CH, CY, CZ, DE, DK, EE, ES, FI, FR, GB, GR, HR, HU, IE, IS, IT, LT, LU, LV, MC, MK, MT, NL, NO, PL, PT, RO, RS, SE, SI, SK, SM, TR), OAPI (BF, BJ, CF, CG, CI, CM, GA, GN, GQ, GW, ML, MR, NE, SN, TD, TG).

- Published:**
- with international search report (Art. 21(3))
- before the expiration of the time limit for amending the claims and to be republished in the event of receipt of amendments (Rule 48.2(h))
- (88) **Date of publication of the international search report:**
13 June 2013



WO 2013/000764 A3

(54) **Title:** A FLUID DIVERTER SYSTEM FOR A DRILLING FACILITY.

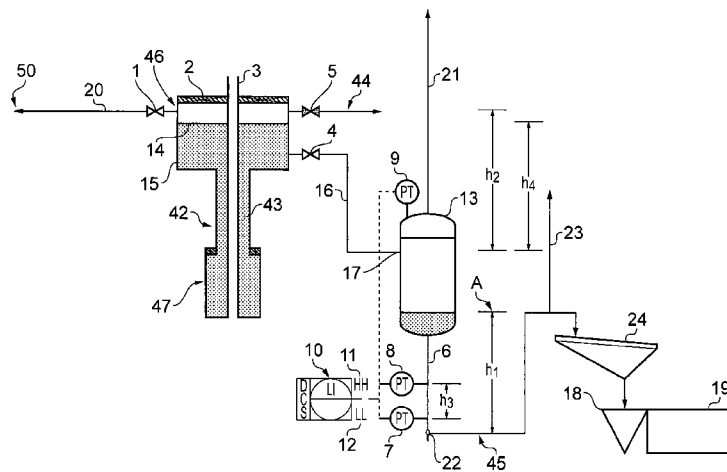


FIG. 2

(57) **Abstract:** A fluid diverter system for a drilling facility comprises a diverter housing (15; 15') fluidly connected to a tubular (3, 42, 43) extending to a subsea well. The diverter housing (15; 15') comprising a movable diverter element (2) for closing off the diverter housing, a first fluid conduit (44) connected to a mud system and comprising a first valve (5), at least one second fluid conduit (20; 20') leading from an outlet (46; 46') in the diverter housing to an overboard location and comprising a second valve (1; 48), and a third fluid conduit (16) connected to a mud/gas separator (MGS) (13) and comprising a third valve (4). The MGS (13) is arranged below the outlet (50) of the diverter line, whereby riser fluids may be fed from the diverter housing (15) to the MGS (13) by means of gravity flow. The diverter valve (1; 48) on a leeward side of the drilling facility is configured to be open before the diverter element (2) closes around the tubular (3).

INTERNATIONAL SEARCH REPORT

International application No
PCT/EP2012/061711

A. CLASSIFICATION OF SUBJECT MATTER
 INV. E21B21/00 E21B21/06 E21B21/08
 ADD.
 According to International Patent Classification (IPC) or to both national classification and IPC

B. FIELDS SEARCHED
 Minimum documentation searched (classification system followed by classification symbols)
 E21B

Documentation searched other than minimum documentation to the extent that such documents are included in the fields searched

Electronic data base consulted during the international search (name of data base and, where practicable, search terms used)
 EPO-Internal , WPI Data

C. DOCUMENTS CONSIDERED TO BE RELEVANT

| Category* | Citation of document, with indication, where appropriate, of the relevant passages | Relevant to claim No. |
|-----------|---|-----------------------|
| X | wo 2009/123476 AI (OCEAN RISER SYSTEMS AS [NO]; FOSSLI BOERRE [NO]) 8 October 2009 (2009-10-08) | 1-3 |
| Y | page 3, line 20 - page 6, line 7 page 14, line 7 - line 13; figures 1,6A ----- | 4-7 |
| Y | Gary L Marsh: "Fi nal fateful flaws", Deepwater Hori zon Study Group, January 2011 (2011-01) , pages 1-5 , XP055059026, Retri eved from the Internet: URL: http://ccrm.berkel ey.edU/pdfs_papers/D HSGWorki ngPapersFeb16-2011/Fi nal Fateful Fl a ws-GLM_DHSG-Jan2011 .pdf [retri eved on 2013-04-10] page 3 - page 4; figure 6.2 ----- -/- . | 4-6 |

Further documents are listed in the continuation of Box C.

See patent family annex.

* Special categories of cited documents :

| | |
|---|--|
| "A" document defining the general state of the art which is not considered to be of particular relevance | "T" later document published after the international filing date or priority date and not in conflict with the application but cited to understand the principle or theory underlying the invention |
| "E" earlier application or patent but published on or after the international filing date | "X" document of particular relevance; the claimed invention cannot be considered novel or cannot be considered to involve an inventive step when the document is taken alone |
| "L" document which may throw doubts on priority claim(s) or which is cited to establish the publication date of another citation or other special reason (as specified) | "Y" document of particular relevance; the claimed invention cannot be considered to involve an inventive step when the document is combined with one or more other such documents, such combination being obvious to a person skilled in the art |
| "O" document referring to an oral disclosure, use, exhibition or other means | "&" document member of the same patent family |
| "P" document published prior to the international filing date but later than the priority date claimed | |

| | |
|--|--|
| Date of the actual completion of the international search 10 April 2013 | Date of mailing of the international search report 24/04/2013 |
|--|--|

| | |
|--|---|
| Name and mailing address of the ISA/ European Patent Office, P.B. 5818 Patentlaan 2 NL - 2280 HV Rijswijk Tel. (+31-70) 340-2040, Fax: (+31-70) 340-3016 | Authorized officer Danti nne, Patri ck |
|--|---|

INTERNATIONAL SEARCH REPORT

International application No
PCT/EP2012/061711

| C(Continuation). DOCUMENTS CONSIDERED TO BE RELEVANT | | |
|--|---|-----------------------|
| Category* | Citation of document, with indication, where appropriate, of the relevant passages | Relevant to claim No. |
| Y | US 4 709 900 A (DYHR EINAR [DK]) 1 December 1987 (1987-12-01) figures 10, 11 ----- | 7 |
| A, P | JOHN KOZICZ: "Development of a Marine Riser Gas Management system" , PROCEEDINGS OF IADC/SPE ASIA PACIFIC DRILLING TECHNOLOGY CONFERENCE AND EXHIBITION , vol . 156399 , 9 July 2012 (2012-07-09) , pages 1-6, XP055059040, DOI : 10.2118/156399-MS ISBN : 978-1-61-399209-8 the whole document ----- | 1-7 |
| A | US 6 276 455 B1 (GONZALEZ ROMULO [US]) 21 August 2001 (2001-08-21) figures 2-4 ----- | 1-7 |
| A | US 4 666 471 A (CATES THOMAS D [US]) 19 May 1987 (1987-05-19) claims 6, 13; figure 1 ----- | 1-7 |

INTERNATIONAL SEARCH REPORT

Information on patent family members

| |
|--|
| International application No PCT/EP2012/061711 |
|--|

| Patent document cited in search report | Publication date | Patent family member(s) | Publication date |
|--|------------------|-------------------------|------------------|
| WO 2009123476 | A 1 | 08-10-2009 | |
| | | A U 2009232499 | A 1 08-10-2009 |
| | | EA 201001534 | A 1 29-04-2011 |
| | | EP 2281103 | A 1 09-02-2011 |
| | | US 2011100710 | A 1 05-05-2011 |
| | | WO 2009123476 | A 1 08-10-2009 |
| | | | |
| US 4709900 | A | 01-12-1987 | |
| | | AAT 7711444422 | T 15-01-1992 |
| | | DE 3683309 | D 1 20-02-1992 |
| | | DK 95886 | A 12-10-1986 |
| | | DK 162885 | A 12-10-1986 |
| | | EP 0199669 | A 2 29-10-1986 |
| | | JP S61290193 | A 20-12-1986 |
| | | NO 860821 | A 13-10-1986 |
| | | US 4709900 | A 01-12-1987 |
| | | | |
| US 6276455 | B 1 | 21-08-2001 | NONE |
| | | | |
| US 4666471 | A | 19-05-1987 | NONE |
| | | | |