

(12) INTERNATIONAL APPLICATION PUBLISHED UNDER THE PATENT COOPERATION TREATY (PCT)

(19) World Intellectual Property Organization
International Bureau



(43) International Publication Date
10 December 2009 (10.12.2009)

(10) International Publication Number
WO 2009/149074 A3

(51) International Patent Classification:

A61B 17/88 (2006.01) A61B 17/34 (2006.01)
A61B 17/28 (2006.01)

(21) International Application Number:

PCT/US2009/045958

(22) International Filing Date:

2 June 2009 (02.06.2009)

(25) Filing Language:

English

(26) Publication Language:

English

(30) Priority Data:

61/058,157 2 June 2008 (02.06.2008) US
61/142,552 5 January 2009 (05.01.2009) US

(71) Applicant (for all designated States except US):
SPINEALIGN MEDICAL, INC. [US/US]; 1735 North
First Street, Suite 245, San Jose, CA 95112 (US).

(72) Inventors; and

(75) Inventors/Applicants (for US only): **KNOPP, Peter**
[US/US]; 1735 North First Street, Suite 245, San Jose,
CA 95112 (US). **BOJANOWSKI, Bart** [US/US]; 1735
North First Street, Suite 245, San Jose, CA 95112 (US).
CHIRICO, Paul, E. [US/US]; 1735 North First Street,
Suite 245, San Jose, CA 95112 (US).

(74) Agent: **SHOOP, Richard, D.**; Shay Glenn LLP, 2755
Campus Drive, Suite 210, San Mateo, CA 94403 (US).

(81) Designated States (unless otherwise indicated, for every

kind of national protection available): AE, AG, AL, AM,
AO, AT, AU, AZ, BA, BB, BG, BH, BR, BW, BY, BZ,
CA, CH, CL, CN, CO, CR, CU, CZ, DE, DK, DM, DO,
DZ, EC, EE, EG, ES, FI, GB, GD, GE, GH, GM, GT,
HN, HR, HU, ID, IL, IN, IS, JP, KE, KG, KM, KN, KP,
KR, KZ, LA, LC, LK, LR, LS, LT, LU, LY, MA, MD,
ME, MG, MK, MN, MW, MX, MY, MZ, NA, NG, NI,
NO, NZ, OM, PG, PH, PL, PT, RO, RS, RU, SC, SD, SE,
SG, SK, SL, SM, ST, SV, SY, TJ, TM, TN, TR, TT, TZ,
UA, UG, US, UZ, VC, VN, ZA, ZM, ZW.

(84) Designated States (unless otherwise indicated, for every

kind of regional protection available): ARIPO (BW, GH,
GM, KE, LS, MW, MZ, NA, SD, SL, SZ, TZ, UG, ZM,
ZW), Eurasian (AM, AZ, BY, KG, KZ, MD, RU, TJ,
TM), European (AT, BE, BG, CH, CY, CZ, DE, DK, EE,
ES, FI, FR, GB, GR, HR, HU, IE, IS, IT, LT, LU, LV,
MC, MK, MT, NL, NO, PL, PT, RO, SE, SI, SK, TR),
OAPI (BF, BJ, CF, CG, CI, CM, GA, GN, GQ, GW, ML,
MR, NE, SN, TD, TG).

Published:

- with international search report (Art. 21(3))
- before the expiration of the time limit for amending the
claims and to be republished in the event of receipt of
amendments (Rule 48.2(h))

(88) Date of publication of the international search report:

25 March 2010

(54) Title: CONTROLLED DEPLOYMENT HANDLES FOR BONE STABILIZATION DEVICES

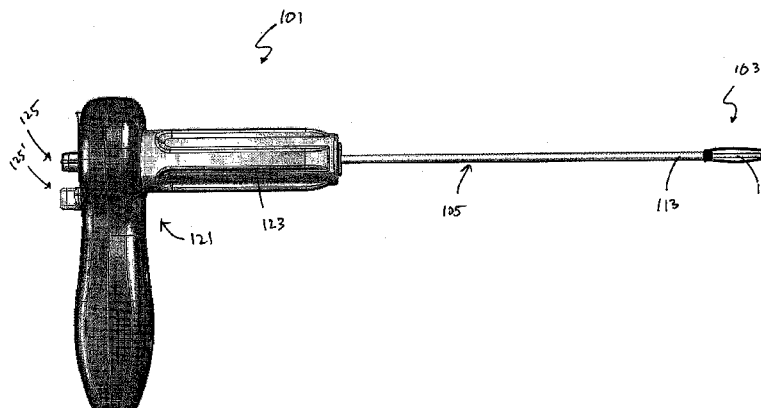


FIG. 1

(57) Abstract: Described herein are applicators for the delivery and/or retrieval of a bone stabilization device, as well as systems or kits including such applicators. In general, these applicators include a proximal handle and an elongate cannula configured as a linkage member connecting to the implant. The handles described herein typically include a control for regulating/controlling the release of the stabilization device. Stabilization devices are typically self-expanding devices, and the control may regulate the self-expansion so that the rate and degree of self-expansion allowed is regulated. The handles may be lockable, and may include a latch or other locking structure. These handles may also include ratcheting mechanism or other controlled expansion/release mechanism. In some variations the devices include a failsafe release configured to release either the applicator and/or the device.



WO 2009/149074 A3

A. CLASSIFICATION OF SUBJECT MATTER*A61B 17/88(2006.01)i, A61B 17/28(2006.01)i, A61B 17/34(2006.01)i*

According to International Patent Classification (IPC) or to both national classification and IPC

B. FIELDS SEARCHED

Minimum documentation searched (classification system followed by classification symbols)

IPC: A61B

Documentation searched other than minimum documentation to the extent that such documents are included in the fields searched

Korean Utility models and applications for Utility models since 1975

Japanese Utility models and applications for Utility models since 1975

Electronic data base consulted during the international search (name of data base and, where practicable, search terms used)

eKOMPASS(KIPO Internal) & keywords: "bone", "spine", "rotary", "handle", "applicator", "gear", "switch", "indicator", "force", "stabilizing", "shaft", "ratchet", "pawl", axial"

C. DOCUMENTS CONSIDERED TO BE RELEVANT

Category*	Citation of document, with indication, where appropriate, of the relevant passages	Relevant to claim No.
X A	US 2006-0271061 A1 (MODECHAY BEYAR et al.) 30 November 2006 See claims 1-4, paragraphs [0171]-[0172], figures 1G, 1H, 5A-5D, 7F	1-4, 6, 7, 9-18, 20-23 5, 8, 19
A	US 2007-0282442 A1 (HUGUES F. MALANDAIN et al.) 6 December 2007 See claims 32-39, paragraph [0199], figures 11-16	1-23
A	US 2008-0039893 A1 (MATT MCLEAN et al.) 14 February 2008 See claims 1-7, paragraphs [0116]-[0118], figures 1A and 1B	1-23
A	US 2002-0072753 A1 (HERB COHEN) 13 June 2002 See claim 6, paragraphs [0027], [0028], figures 1-3	1-23

 Further documents are listed in the continuation of Box C. See patent family annex.

* Special categories of cited documents:

"A" document defining the general state of the art which is not considered to be of particular relevance

"E" earlier application or patent but published on or after the international filing date

"L" document which may throw doubts on priority claim(s) or which is cited to establish the publication date of citation or other special reason (as specified)

"O" document referring to an oral disclosure, use, exhibition or other means

"P" document published prior to the international filing date but later than the priority date claimed

"T" later document published after the international filing date or priority date and not in conflict with the application but cited to understand the principle or theory underlying the invention

"X" document of particular relevance; the claimed invention cannot be considered novel or cannot be considered to involve an inventive step when the document is taken alone

"Y" document of particular relevance; the claimed invention cannot be considered to involve an inventive step when the document is combined with one or more other such documents, such combination being obvious to a person skilled in the art

"&" document member of the same patent family

Date of the actual completion of the international search

26 JANUARY 2010 (26.01.2010)

Date of mailing of the international search report

27 JANUARY 2010 (27.01.2010)

Name and mailing address of the ISA/KR

Korean Intellectual Property Office
Government Complex-Daejeon, 139 Seonsa-ro, Seo-
gu, Daejeon 302-701, Republic of Korea

Facsimile No. 82-42-472-7140

Authorized officer

JEON, CHANG IK

Telephone No. 82-42-481-8303



INTERNATIONAL SEARCH REPORT

Information on patent family members

International application No.

PCT/US2009/045958

Patent document cited in search report	Publication date	Patent family member(s)	Publication date
US 2006-0271061 A1	30.11.2006	AU 745916 B2	11.04.2002
		AU 2006-274588 A1	08.02.2007
		AU 2007-270684 A1	04.07.2007
		AU 2007-262386 A1	19.06.2007
		AU 2006-296291 A1	30.08.2006
		AU 2006-274588 A1	31.07.2006
		AU 2000-64657 A1	03.08.2000
		AU 2000-23167 A1	27.01.2000
		AU 2000-23166 A1	27.01.2000
		AU 2000-21268 A1	27.01.2000
		AU 1998-65136 B2	06.03.1998
		CA 2656779 A1	10.01.2008
		CA 2283190 A1	11.09.1998
		CA 2575699 A1	02.02.2006
		CA 2597786 A1	31.08.2006
		CA 2624101 A1	05.04.2007
		CN 101163461 A0	16.04.2008
		CN 1835720 A	20.09.2006
		CN 101065080 A	31.10.2007
		CN 101163461 A	16.04.2008
		CN 1835720 A0	20.09.2006
		CN 101065080 A0	31.10.2007
		EP 1011464 A1	28.06.2000
		EP 1011464 B1	23.01.2008
		EP 1148850 A1	31.10.2001
		EP 1148850 B1	20.04.2005
		EP 1148850 B2	08.04.2009
		EP 1148851 A2	31.10.2001
		EP 1148851 B1	24.05.2006
		EP 1153147 A1	14.11.2001
		EP 1253864 A1	06.11.2002
		EP 1552797 A2	13.07.2005
		EP 1552797 A3	07.02.2007
		EP 1638484 A2	29.03.2006
		EP 1786343 A2	23.05.2007
		EP 1850797 A2	07.11.2007
		EP 1905392 A1	02.04.2008
		EP 1919530 A2	14.05.2008
		EP 1928335 A2	11.06.2008
		EP 2037789 A2	25.03.2009
		EP 2037865 A2	25.03.2009
		EP 2047900 A2	15.04.2009
		EP 2047900 A3	18.11.2009
		JP 2009-517093 A	30.04.2009
		JP 2009-502404 A	29.01.2009
		JP 04362235 B2	21.08.2009
		JP 2009-006186 A	15.01.2009
JP 2008-531109 A	14.08.2008		
JP 2008-508020 A	21.03.2008		

INTERNATIONAL SEARCH REPORT

Information on patent family members

International application No.

PCT/US2009/045958

Patent document cited in search report	Publication date	Patent family member(s)	Publication date
		JP 2008-237902 A	09.10.2008
		JP 2006-527623 A	07.12.2006
		JP 2002-535109 A	22.10.2002
		JP 2002-535081 A	22.10.2002
		JP 2002-535080 A	22.10.2002
		JP 2001-527437 A	25.12.2001
		KR 10-2006-0088477 A	04.08.2006
		KR 10-2008-0060250 A	01.07.2008
		KR 10-2009-0026356 A	12.03.2009
		US 2006-0079905 A1	13.04.2006
		US 07621950 B1	24.11.2009
		US 07097648 B1	29.08.2006
		US 06127597 A	03.10.2000
		US 2005-143827 A1	30.06.2005
		US 2009-0264942 A1	22.10.2009
		US 2009-0264892 A1	22.10.2009
		US 2008-0212405 A1	04.09.2008
		US 2008-0200915 A1	21.08.2008
		US 2007-0282443 A1	06.12.2007
		US 2007-0032567 A1	08.02.2007
		US 2007-0027230 A1	01.02.2007
		WO 2008-004229 A3	10.01.2008
		WO 1998-038918 A1	11.09.1998
		WO 2000-044319 A1	03.08.2000
		WO 2000-044321 A2	03.08.2000
		WO 2000-044321 A3	03.08.2000
		WO 2000-044946 A1	03.08.2000
		WO 2001-054598 A1	02.08.2001
		WO 2004-110300 A2	23.12.2004
		WO 2004-110300 A3	23.12.2004
		WO 2006-011152 A2	02.02.2006
		WO 2006-011152 A3	02.02.2006
		WO 2006-090379 A2	31.08.2006
		WO 2006-090379 A3	31.08.2006
		WO 2008-004229 A2	10.01.2008
		WO 2007-148336 A3	27.12.2007
		WO 2007-148336 A2	27.12.2007
		WO 2007-036815 A3	05.04.2007
		WO 2007-036815 A2	05.04.2007
		WO 2007-015202 A3	08.02.2007
		WO 2007-015202 A2	08.02.2007
		WO 2004-110300 A3	30.06.2005
US 2007-00282442 A1	06.12.2007	AU 2006-214169 A1	17.02.2006
		AU 2007-260690 A1	15.06.2007
		AU 2008-232900 A1	09.10.2008
		CA 2597923 A1	24.08.2006
		CN 101155553 A	02.04.2008
		CN 101155553 A0	02.04.2008

INTERNATIONAL SEARCH REPORT

Information on patent family members

International application No.

PCT/US2009/045958

Patent document cited in search report	Publication date	Patent family member(s)	Publication date
		EP 2032081 A2	11.03.2009
		EP 1848351 A2	31.10.2007
		EP 1657285 A1	17.05.2006
		JP 2006-117756 A	11.05.2006
		JP 2008-529737 A	07.08.2008
		KR 10-2007-0112186 A	22.11.2007
		US 2006-0082628 A1	20.04.2006
		US 2006-0184247 A1	17.08.2006
		US 2006-0184248 A1	17.08.2006
		US 2006-0195102 A1	31.08.2006
		US 2007-0043361 A1	22.02.2007
		US 2007-0043362 A1	22.02.2007
		US 2007-0043363 A1	22.02.2007
		US 2007-0049934 A1	01.03.2007
		US 2007-0049935 A1	01.03.2007
		US 2007-0055237 A1	08.03.2007
		US 2007-0073292 A1	29.03.2007
		US 2007-0225706 A1	27.09.2007
		US 2007-0225807 A1	27.09.2007
		US 2007-0260245 A1	08.11.2007
		US 2007-0265623 A1	15.11.2007
		US 2007-0276372 A1	29.11.2007
		US 2007-0276373 A1	29.11.2007
		US 2007-0276493 A1	29.11.2007
		US 2007-0282340 A1	06.12.2007
		US 2007-0299526 A1	27.12.2007
		US 2008-0027433 A1	31.01.2008
		US 2008-0039944 A1	14.02.2008
		US 2008-0051891 A1	28.02.2008
		US 2008-0051892 A1	28.02.2008
		US 2008-0051893 A1	28.02.2008
		US 2008-0051894 A1	28.02.2008
		US 2008-0051895 A1	28.02.2008
		US 2008-0051906 A1	28.02.2008
		US 2008-0058934 A1	06.03.2008
		US 2008-0058935 A1	06.03.2008
		US 2008-0058936 A1	06.03.2008
		US 2008-0058937 A1	06.03.2008
		US 2008-0071376 A1	20.03.2008
		US 2008-0082118 A1	03.04.2008
		US 2008-0082167 A1	03.04.2008
		US 2008-0132952 A1	05.06.2008
		US 2008-0147192 A1	19.06.2008
		WO 2006-089085 A2	24.08.2006
		WO 2006-089085 A3	24.08.2006
		WO 2008-121613 A3	09.10.2008
		WO 2007-147093 A3	21.12.2007
		WO 2008-121613 A2	09.10.2008
		WO 2007-147093 A2	21.12.2007

INTERNATIONAL SEARCH REPORT

Information on patent family members

International application No.

PCT/US2009/045958

Patent document cited in search report	Publication date	Patent family member(s)	Publication date
US 2008-0039893 A1	14.02.2008	EP 1887976 A2	20.02.2008
		EP 2111167 A1	28.10.2009
		EP 2049023 A2	22.04.2009
		EP 1962720 A2	03.09.2008
		JP 2009-521278 A	04.06.2009
		US 2006-0265042 A1	23.11.2006
		US 2006-0276871 A1	07.12.2006
		US 2009-0018553 A1	15.01.2009
		US 2008-0039894 A1	14.02.2008
		US 2008-0039889 A1	14.02.2008
		US 2008-0039876 A1	14.02.2008
		US 2008-0039875 A1	14.02.2008
		US 2008-0039874 A1	14.02.2008
		US 2007-0049929 A1	01.03.2007
		US 2007-0142846 A1	21.06.2007
		US 2007-0276412 A1	29.11.2007
		US 2008-0021484 A1	24.01.2008
		US 2008-0021485 A1	24.01.2008
		US 2008-0033232 A1	07.02.2008
		US 2008-0033456 A1	07.02.2008
		US 2008-0033458 A1	07.02.2008
		US 2008-0033488 A1	07.02.2008
		US 2008-0039833 A1	14.02.2008
		US 2008-0039872 A1	14.02.2008
		WO 2007-075981 A2	05.07.2007
		WO 2006-127431 A3	30.11.2006
		WO 2006-127431 A2	30.11.2006
		WO 2008-097942 A1	14.08.2008
		WO 2008-014191 A3	31.01.2008
		WO 2008-014191 A2	31.01.2008
		WO 2007-075981 A3	05.07.2007
		WO 2009-009617 A1	15.01.2009
		US 2002-072753 A1	13.06.2002