



US00D478142S

(12) **United States Design Patent** (10) **Patent No.:** **US D478,142 S**
Toulon et al. (45) **Date of Patent:** **** Aug. 5, 2003**

(54) **GOLF CLUB PUTTER HEAD
INCORPORATING FACE AND REAR WALL
INSERTS**

(75) Inventors: **Sean Toulon**, Vista, CA (US); **Mark
Morgulis**, San Diego, CA (US); **Sherry
L. Jones**, Pataskala, OH (US)

(73) Assignee: **Taylor Made Golf Company, Inc.**,
Carlsbad, CA (US)

(**) Term: **14 Years**

(21) Appl. No.: **29/162,203**

(22) Filed: **Jun. 10, 2002**

(51) **LOC (7) Cl.** **21-03**

(52) **U.S. Cl.** **D21/759**

(58) **Field of Search** D21/736-746,
D21/753, 759; 473/251-256, 324-331,
340, 341, 342

(56) **References Cited**

U.S. PATENT DOCUMENTS

D385,609 S	*	10/1997	Cameron	D21/753
D385,935 S	*	11/1997	Cameron	D21/759
D411,275 S	*	6/1999	Bottema et al.	D21/759
D415,809 S	*	10/1999	Bottema et al.	D21/759
D416,062 S	*	11/1999	Solheim et al.	D21/759
D428,088 S	*	7/2000	Cameron et al.	D21/759
D444,835 S	*	7/2001	Wahl et al.	D21/759
D458,331 S	*	6/2002	Wahl et al.	D21/759

* cited by examiner

Primary Examiner—Mitchell Siegel
(74) *Attorney, Agent, or Firm*—James R. Brueggemann,
Esq.; Sheppard, Mullin, Richter & Hampton LLP

(57) **CLAIM**

We claim the ornamental design for a golf club putter head incorporating face and rear wall inserts, as shown and described.

DESCRIPTION

FIG. 1 is a perspective view of a face wall insert of a golf club putter head embodying our new design. The putter head incorporating face and rear wall inserts;

FIG. 2 is an enlarged perspective view of the face wall insert of FIG. 1;

FIG. 3 is a perspective view of the rear wall insert of FIG. 1;

FIG. 4 is an enlarged perspective view of the rear wall insert of FIG. 1;

FIG. 5 is an elevation view of the face wall insert of FIG. 1;

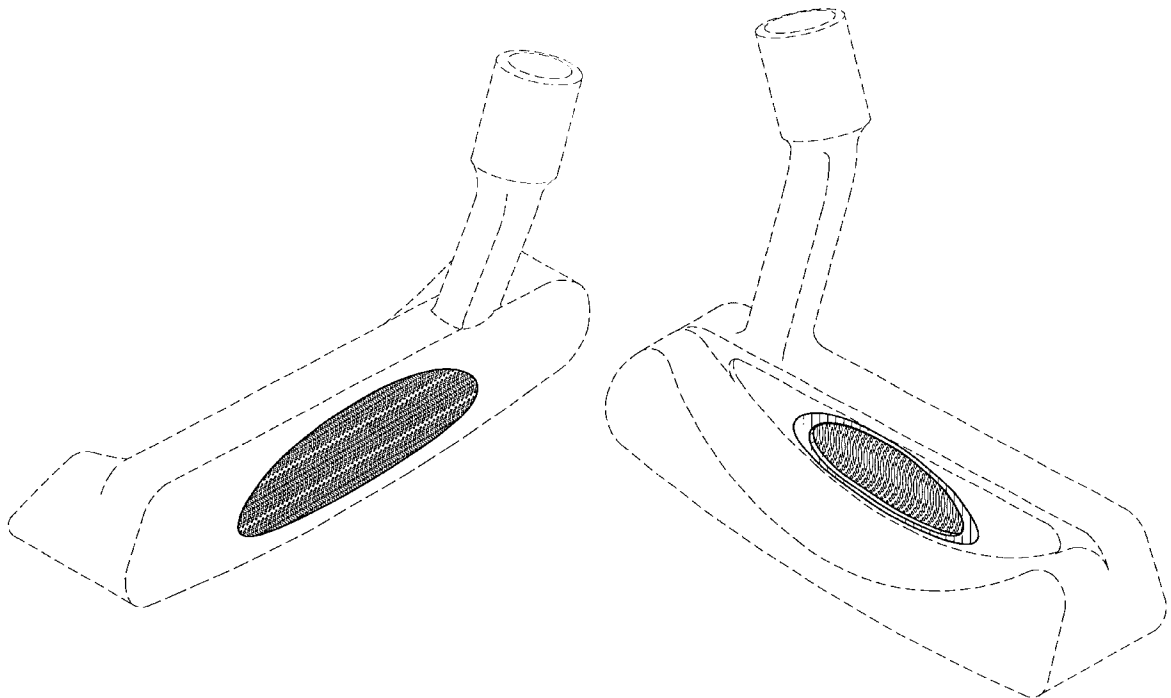
FIG. 6 is an elevation view of the rear wall insert of FIG. 1;

FIG. 7 is a top plan view of FIG. 1; and,

FIG. 8 is a sectional view of the face and rearwall inserts of FIGS. 1 and 3 taken substantially in the direction of the arrows 8—8 in FIG. 7.

The broken lines of FIGS. 1-8 are included for illustrative purposes only, and form no part of the claimed design.

1 Claim, 4 Drawing Sheets



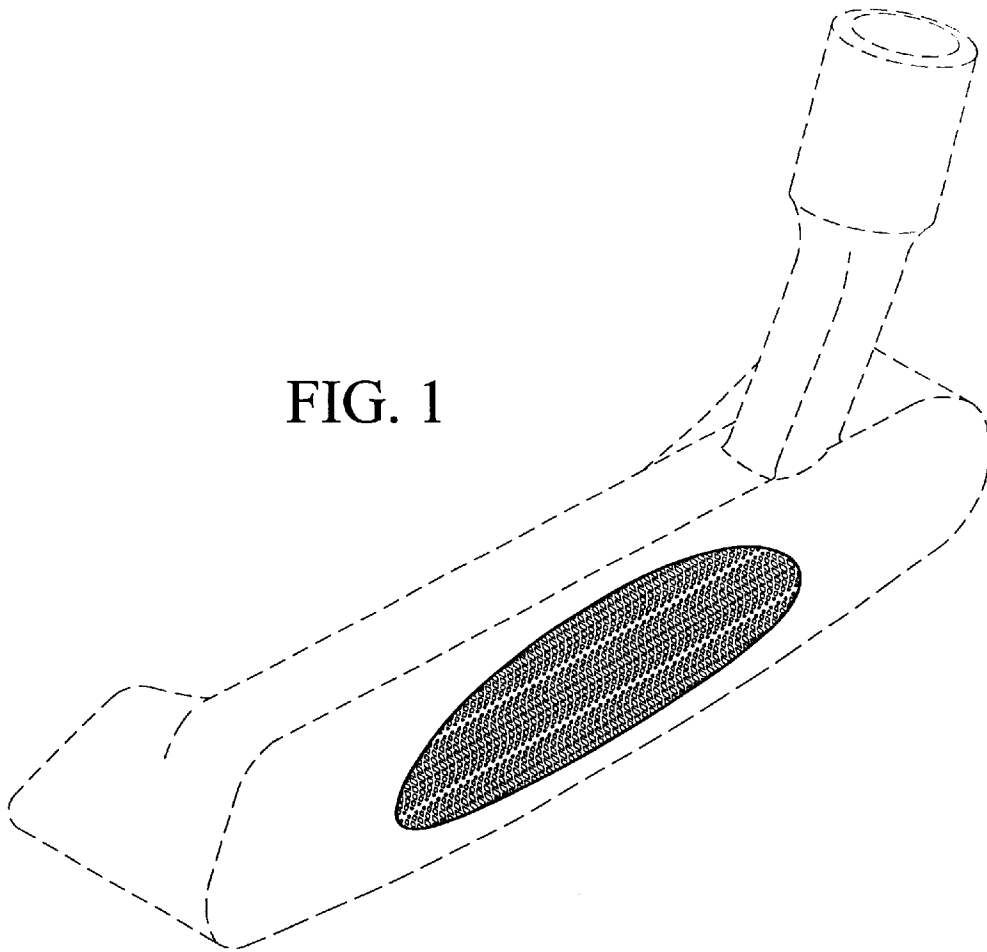


FIG. 1

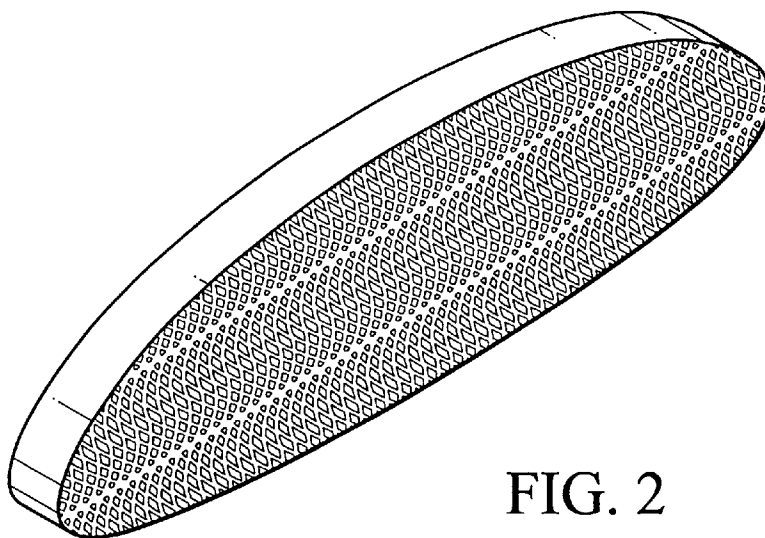


FIG. 2

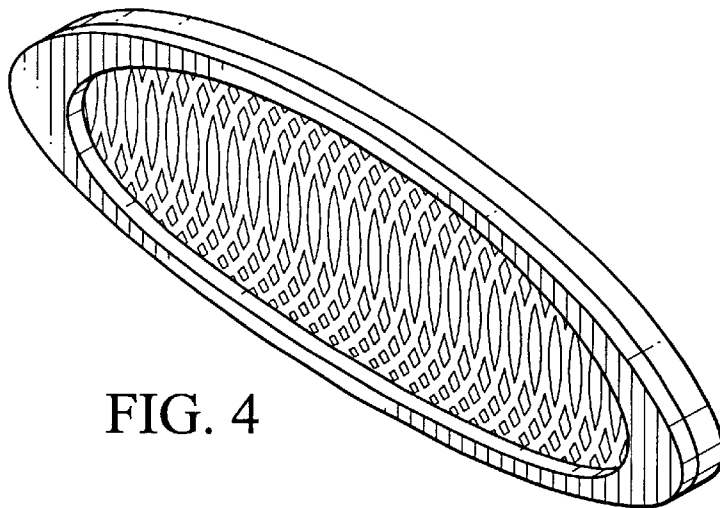
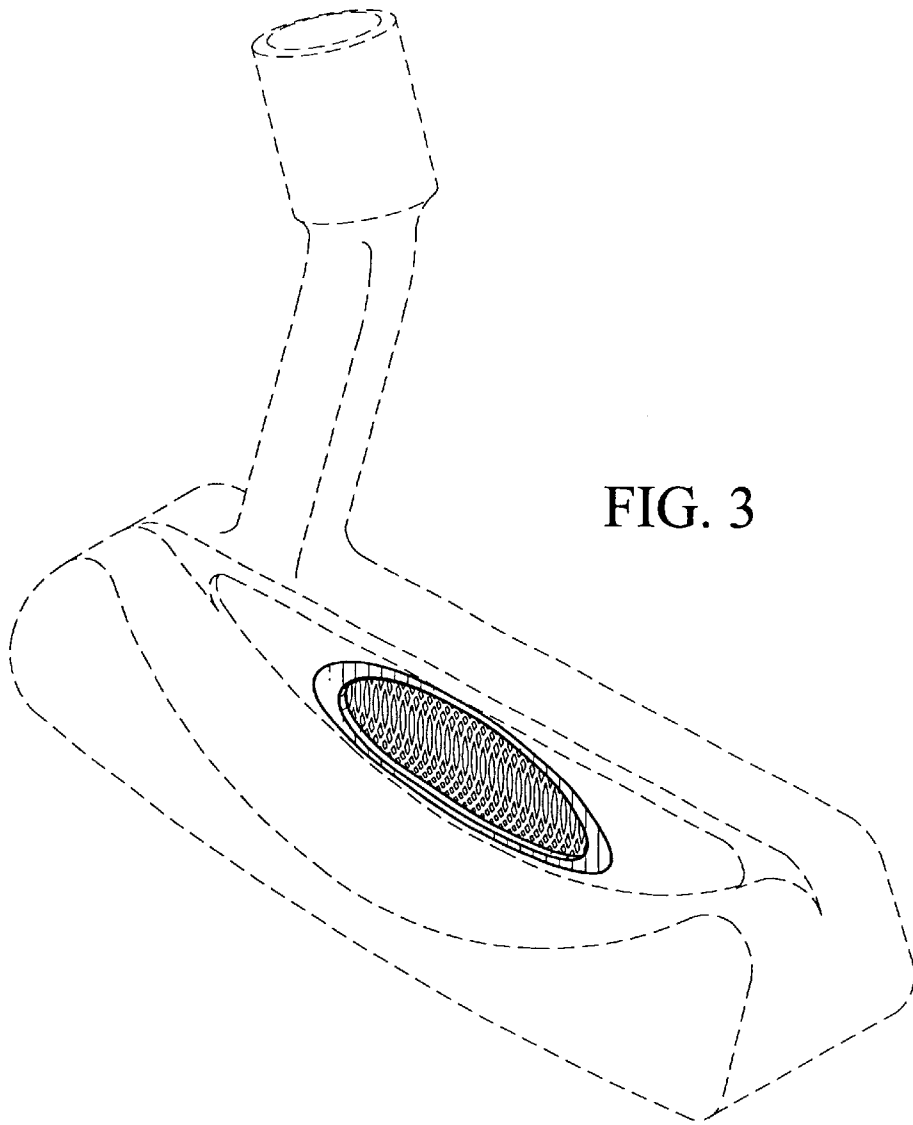


FIG. 5

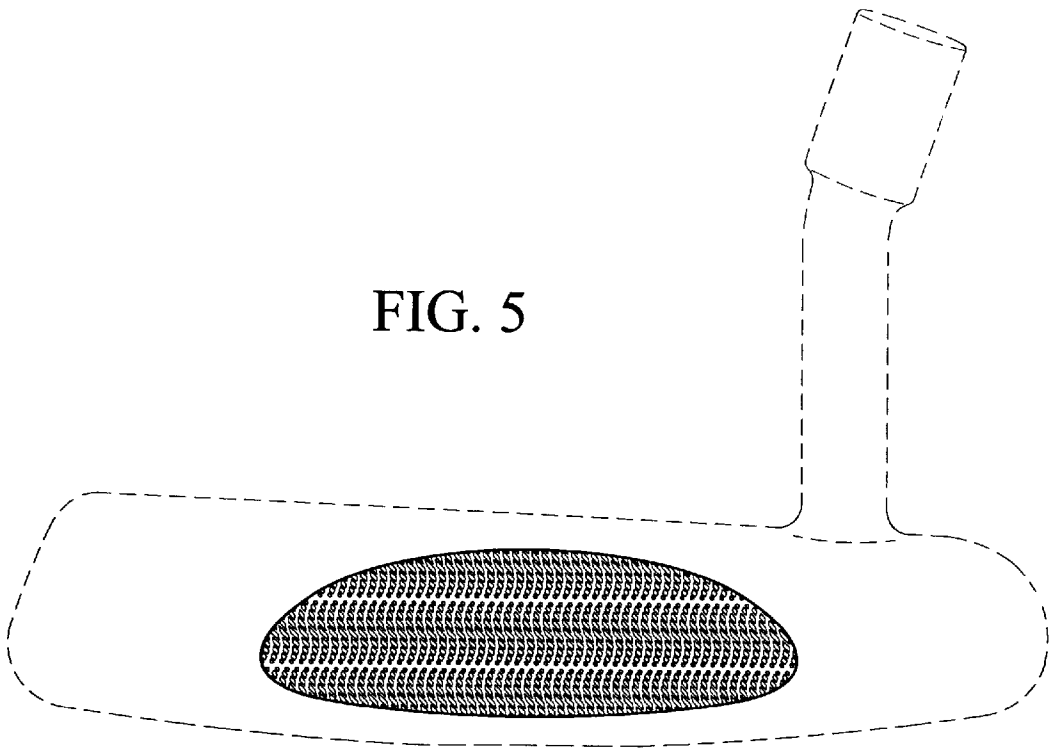
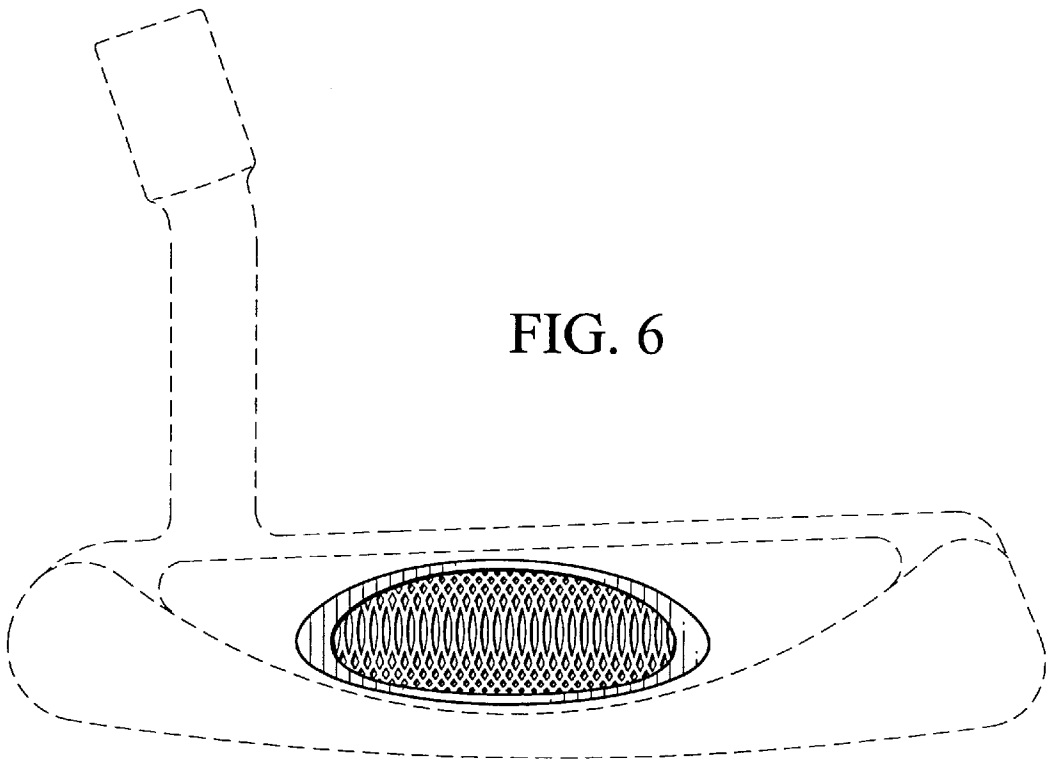


FIG. 6



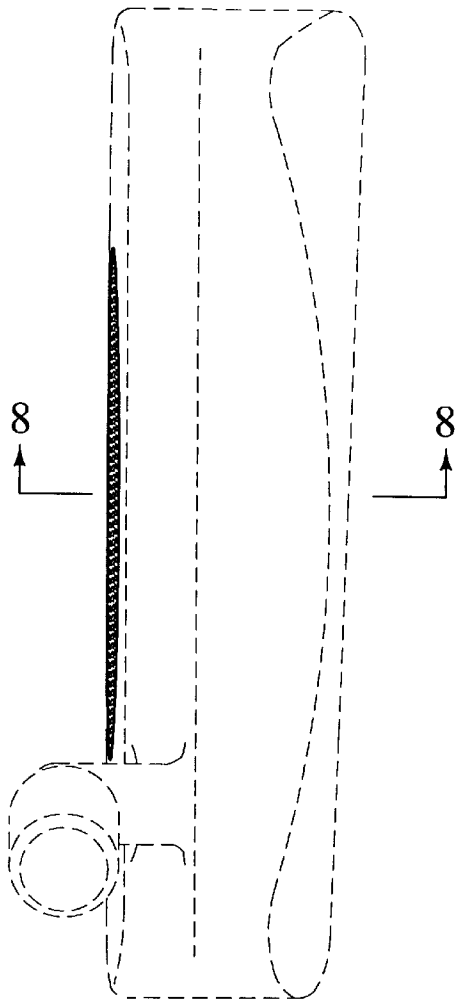


FIG. 7

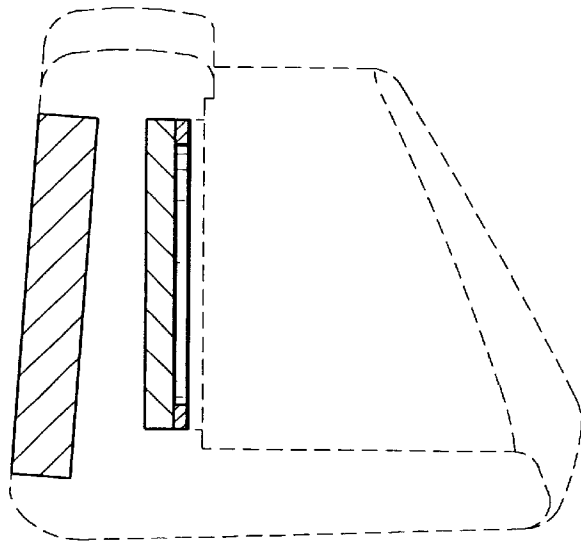


FIG. 8