

(19) World Intellectual Property Organization
International Bureau



(43) International Publication Date
6 August 2009 (06.08.2009)

(10) International Publication Number
WO 2009/097390 A3

(51) International Patent Classification:
A61B 17/34 (2006.01)

(21) International Application Number:
PCT/US2009/032359

(22) International Filing Date:
29 January 2009 (29.01.2009)

(25) Filing Language: English

(26) Publication Language: English

(30) Priority Data:
12/022,704 30 January 2008 (30.01.2008) US
12/249,439 10 October 2008 (10.10.2008) US

(71) Applicant: LAPROSTOP, LLC [US/US]; 837 Cornish Drive, San Diego, CA 92107 (US).

(72) Inventors: BUSER, John, P.; 837 Cornish Drive, San Diego, CA 92107 (US). DIESFELD, Patrick; 168 N. Brent Street, #407, Ventura, CA 93003 (US).

(74) Agent: MORKUNAS, Frank, G.; 7750 Dagget St., Ste. 203, San Diego, CA 92111 (US).

(81) Designated States (unless otherwise indicated, for every kind of national protection available): AE, AG, AL, AM, AO, AT, AU, AZ, BA, BB, BG, BH, BR, BW, BY, BZ, CA, CH, CN, CO, CR, CU, CZ, DE, DK, DM, DO, DZ, EC, EE, EG, ES, FI, GB, GD, GE, GH, GM, GT, HN, HR, HU, ID, IL, IN, IS, JP, KE, KG, KM, KN, KP, KR, KZ, LA, LC, LK, LR, LS, LT, LU, LY, MA, MD, ME,

MG, MK, MN, MW, MX, MY, MZ, NA, NG, NI, NO, NZ, OM, PG, PH, PL, PT, RO, RS, RU, SC, SD, SE, SG, SK, SL, SM, ST, SV, SY, TJ, TM, TN, TR, TT, TZ, UA, UG, US, UZ, VC, VN, ZA, ZM, ZW.

(84) Designated States (unless otherwise indicated, for every kind of regional protection available): ARIPO (BW, GH, GM, KE, LS, MW, MZ, NA, SD, SL, SZ, TZ, UG, ZM, ZW), Eurasian (AM, AZ, BY, KG, KZ, MD, RU, TJ, TM), European (AT, BE, BG, CH, CY, CZ, DE, DK, EE, ES, FI, FR, GB, GR, HR, HU, IE, IS, IT, LT, LU, LV, MC, MK, MT, NL, NO, PL, PT, RO, SE, SI, SK, TR), OAPI (BF, BJ, CF, CG, CI, CM, GA, GN, GQ, GW, ML, MR, NE, SN, TD, TG).

Declarations under Rule 4.17:

- as to applicant's entitlement to apply for and be granted a patent (Rule 4.17(ii))
- as to the applicant's entitlement to claim the priority of the earlier application (Rule 4.17(iii))

Published:

- with international search report (Art. 21(3))
- before the expiration of the time limit for amending the claims and to be republished in the event of receipt of amendments (Rule 48.2(h))

(88) Date of publication of the international search report:
11 March 2010

(54) Title: SAFETY-STOP TROCHAR DEVICE AND SYSTEM

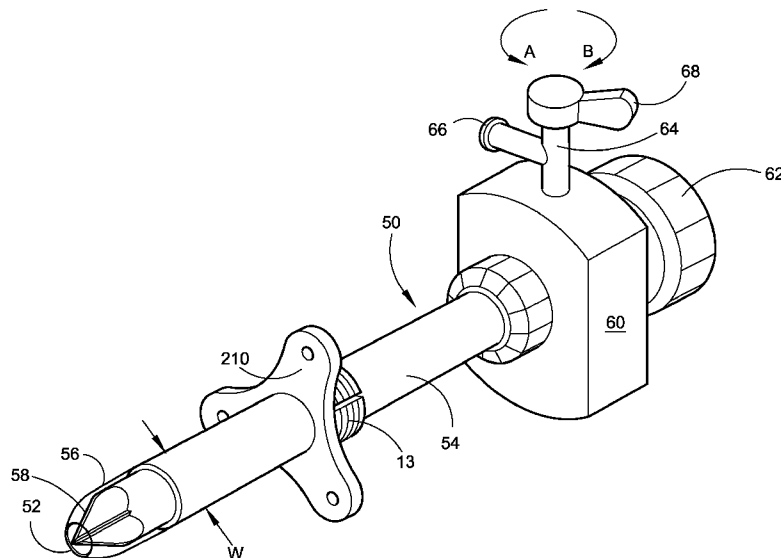


FIG. 10

(57) Abstract: A safety-stop trochar device and system (100) for use with a trochar (50) and surgical accessory devices. The device and system (100) has a base (110) into which an insert (140) seats over which a cap (130) secures to the base (110) and also secures a previously inserted trochar (50) or drainage device (154) or smoke evacuator (154) or surgical accessory such as an obturator (160A) and illumination device (160B). Flexible extension wings (112) on the base (110) have distal suture apertures (114) or an adhesive (219) on the bottom of the base (110), or both, for securing the base (110) to a patient. U-shaped extensions (132) on the cap (130) facilitate cap (130) placement or removal onto or from the base (110).



WO 2009/097390 A3

INTERNATIONAL SEARCH REPORT

International application No.
PCT/US 09/32359

<p>A. CLASSIFICATION OF SUBJECT MATTER IPC(8) - A61B 17/34 (2009.01) USPC - 606/185 According to International Patent Classification (IPC) or to both national classification and IPC</p>																																
<p>B. FIELDS SEARCHED</p> <p>Minimum documentation searched (classification system followed by classification symbols) IPC - A61B 17/34 (2009.01) USPC - 606/185</p> <p>Documentation searched other than minimum documentation to the extent that such documents are included in the fields searched USPC - 604/165.01</p> <p>Electronic data base consulted during the international search (name of data base and, where practicable, search terms used) PubWEST (DB=PGPB,USPT,USOC,EPAB,JPAB); Google Scholar</p> <p>Search Terms - port, cap, safety, stop, trocar, illumination, threaded, wings, drainage, tube, smoke, ribs, rotate</p>																																
<p>C. DOCUMENTS CONSIDERED TO BE RELEVANT</p> <table border="1"> <thead> <tr> <th>Category*</th> <th>Citation of document, with indication, where appropriate, of the relevant passages</th> <th>Relevant to claim No.</th> </tr> </thead> <tbody> <tr> <td>X</td> <td>US 2006/0293702 A1 (BUSER ET AL.) 28 December 2006 (28.12.2006) entire document, especially para [0049] to [0060]; Fig 1-2, 6-8, 10-11</td> <td>1-10, 13</td> </tr> <tr> <td>Y</td> <td></td> <td>11-12, 14-20</td> </tr> <tr> <td>Y</td> <td>US 5,495,641 A (GOING ET AL.) 05 March 1996 (05.03.1996) col 5, ln 1-18; Fig 4</td> <td>11</td> </tr> <tr> <td>Y</td> <td>US 5,556,411 A (TAODA ET AL.) 17 September 1997 (17.09.1997) col 3, ln 16-26; Fig 1</td> <td>12</td> </tr> <tr> <td>Y</td> <td>US 6,607,509 B2 (BOBROFF ET AL.) 19 August 2003 (19.08.2003) col 11, ln 22-24; Fig 4</td> <td>14</td> </tr> <tr> <td>Y</td> <td>US 2007/0088275 A1 (STEARNS ET AL.) 19 April 2007 (19.04.2007) (para [0095], [0098]; Fig 5, 6a</td> <td>15</td> </tr> <tr> <td>Y</td> <td>US 6,315,770 B1 (DE LA TORRE ET AL.) 13 November 2001 (13.11.2001) col 12, ln 12 - col 13, ln 16</td> <td>16-20</td> </tr> <tr> <td>Y</td> <td>US 5,645,565 A (RUDD ET AL.) 08 July 1997 (08.07.1997) col 3, ln 40-43</td> <td>17</td> </tr> <tr> <td>Y</td> <td>US 2005/0080418 A1 (SIMONSON ET AL.) 14 April 2005 (14.04.2005) para [0036]</td> <td>18</td> </tr> </tbody> </table>			Category*	Citation of document, with indication, where appropriate, of the relevant passages	Relevant to claim No.	X	US 2006/0293702 A1 (BUSER ET AL.) 28 December 2006 (28.12.2006) entire document, especially para [0049] to [0060]; Fig 1-2, 6-8, 10-11	1-10, 13	Y		11-12, 14-20	Y	US 5,495,641 A (GOING ET AL.) 05 March 1996 (05.03.1996) col 5, ln 1-18; Fig 4	11	Y	US 5,556,411 A (TAODA ET AL.) 17 September 1997 (17.09.1997) col 3, ln 16-26; Fig 1	12	Y	US 6,607,509 B2 (BOBROFF ET AL.) 19 August 2003 (19.08.2003) col 11, ln 22-24; Fig 4	14	Y	US 2007/0088275 A1 (STEARNS ET AL.) 19 April 2007 (19.04.2007) (para [0095], [0098]; Fig 5, 6a	15	Y	US 6,315,770 B1 (DE LA TORRE ET AL.) 13 November 2001 (13.11.2001) col 12, ln 12 - col 13, ln 16	16-20	Y	US 5,645,565 A (RUDD ET AL.) 08 July 1997 (08.07.1997) col 3, ln 40-43	17	Y	US 2005/0080418 A1 (SIMONSON ET AL.) 14 April 2005 (14.04.2005) para [0036]	18
Category*	Citation of document, with indication, where appropriate, of the relevant passages	Relevant to claim No.																														
X	US 2006/0293702 A1 (BUSER ET AL.) 28 December 2006 (28.12.2006) entire document, especially para [0049] to [0060]; Fig 1-2, 6-8, 10-11	1-10, 13																														
Y		11-12, 14-20																														
Y	US 5,495,641 A (GOING ET AL.) 05 March 1996 (05.03.1996) col 5, ln 1-18; Fig 4	11																														
Y	US 5,556,411 A (TAODA ET AL.) 17 September 1997 (17.09.1997) col 3, ln 16-26; Fig 1	12																														
Y	US 6,607,509 B2 (BOBROFF ET AL.) 19 August 2003 (19.08.2003) col 11, ln 22-24; Fig 4	14																														
Y	US 2007/0088275 A1 (STEARNS ET AL.) 19 April 2007 (19.04.2007) (para [0095], [0098]; Fig 5, 6a	15																														
Y	US 6,315,770 B1 (DE LA TORRE ET AL.) 13 November 2001 (13.11.2001) col 12, ln 12 - col 13, ln 16	16-20																														
Y	US 5,645,565 A (RUDD ET AL.) 08 July 1997 (08.07.1997) col 3, ln 40-43	17																														
Y	US 2005/0080418 A1 (SIMONSON ET AL.) 14 April 2005 (14.04.2005) para [0036]	18																														
<p><input type="checkbox"/> Further documents are listed in the continuation of Box C. <input type="checkbox"/></p>																																
<p>* Special categories of cited documents:</p> <table border="0"> <tr> <td>“A” document defining the general state of the art which is not considered to be of particular relevance</td> <td>“T” later document published after the international filing date or priority date and not in conflict with the application but cited to understand the principle or theory underlying the invention</td> </tr> <tr> <td>“E” earlier application or patent but published on or after the international filing date</td> <td>“X” document of particular relevance; the claimed invention cannot be considered novel or cannot be considered to involve an inventive step when the document is taken alone</td> </tr> <tr> <td>“L” document which may throw doubts on priority claim(s) or which is cited to establish the publication date of another citation or other special reason (as specified)</td> <td>“Y” document of particular relevance; the claimed invention cannot be considered to involve an inventive step when the document is combined with one or more other such documents, such combination being obvious to a person skilled in the art</td> </tr> <tr> <td>“O” document referring to an oral disclosure, use, exhibition or other means</td> <td>“&” document member of the same patent family</td> </tr> <tr> <td>“P” document published prior to the international filing date but later than the priority date claimed</td> <td></td> </tr> </table>			“A” document defining the general state of the art which is not considered to be of particular relevance	“T” later document published after the international filing date or priority date and not in conflict with the application but cited to understand the principle or theory underlying the invention	“E” earlier application or patent but published on or after the international filing date	“X” document of particular relevance; the claimed invention cannot be considered novel or cannot be considered to involve an inventive step when the document is taken alone	“L” document which may throw doubts on priority claim(s) or which is cited to establish the publication date of another citation or other special reason (as specified)	“Y” document of particular relevance; the claimed invention cannot be considered to involve an inventive step when the document is combined with one or more other such documents, such combination being obvious to a person skilled in the art	“O” document referring to an oral disclosure, use, exhibition or other means	“&” document member of the same patent family	“P” document published prior to the international filing date but later than the priority date claimed																					
“A” document defining the general state of the art which is not considered to be of particular relevance	“T” later document published after the international filing date or priority date and not in conflict with the application but cited to understand the principle or theory underlying the invention																															
“E” earlier application or patent but published on or after the international filing date	“X” document of particular relevance; the claimed invention cannot be considered novel or cannot be considered to involve an inventive step when the document is taken alone																															
“L” document which may throw doubts on priority claim(s) or which is cited to establish the publication date of another citation or other special reason (as specified)	“Y” document of particular relevance; the claimed invention cannot be considered to involve an inventive step when the document is combined with one or more other such documents, such combination being obvious to a person skilled in the art																															
“O” document referring to an oral disclosure, use, exhibition or other means	“&” document member of the same patent family																															
“P” document published prior to the international filing date but later than the priority date claimed																																
<p>Date of the actual completion of the international search 18 December 2009 (18.12.2009)</p>		<p>Date of mailing of the international search report 14 JAN 2010</p>																														
<p>Name and mailing address of the ISA/US Mail Stop PCT, Attn: ISA/US, Commissioner for Patents P.O. Box 1450, Alexandria, Virginia 22313-1450 Facsimile No. 571-273-3201</p>		<p>Authorized officer: Lee W. Young</p> <p>PCT Helpdesk: 571-272-4300 PCT OSP: 571-272-7774</p>																														