

(19) World Intellectual Property Organization
International Bureau



(43) International Publication Date
26 July 2001 (26.07.2001)

PCT

(10) International Publication Number
WO 01/53917 A3

(51) International Patent Classification⁷: G06F 1/16

(21) International Application Number: PCT/CA01/00055

(22) International Filing Date: 24 January 2001 (24.01.2001)

(25) Filing Language: English

(26) Publication Language: English

(30) Priority Data:
60/177,628 24 January 2000 (24.01.2000) US

(71) Applicant and
(72) Inventor: CHADHA, Sanjay [CA/CA]; 20 Kentsdale Drive, Nepean, Ontario J9A 2X7 (CA).

(74) Agent: ADAMS, Thomas; Adams Cassan Maclean, P.O. Box 11100, Station H, Ottawa, Ontario K2H 7T8 (CA).

(81) Designated States (national): AE, AG, AL, AM, AT, AU, AZ, BA, BB, BG, BR, BY, BZ, CA, CH, CN, CR, CU, CZ,

DE, DK, DM, DZ, EE, ES, FI, GB, GD, GE, GH, GM, HR, HU, ID, IL, IN, IS, JP, KE, KG, KP, KR, KZ, LC, LK, LR, LS, LT, LU, LV, MA, MD, MG, MK, MN, MW, MX, MZ, NO, NZ, PL, PT, RO, RU, SD, SE, SG, SI, SK, SL, TJ, TM, TR, TT, TZ, UA, UG, UZ, VN, YU, ZA, ZW.

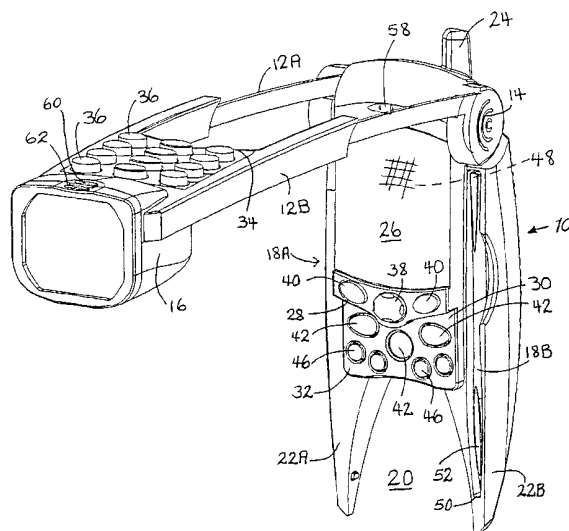
(84) Designated States (regional): ARIPO patent (GH, GM, KE, LS, MW, MZ, SD, SL, SZ, TZ, UG, ZW), Eurasian patent (AM, AZ, BY, KG, KZ, MD, RU, TJ, TM), European patent (AT, BE, CH, CY, DE, DK, ES, FI, FR, GB, GR, IE, IT, LU, MC, NL, PT, SE, TR), OAPI patent (BF, BJ, CF, CG, CI, CM, GA, GN, GW, ML, MR, NE, SN, TD, TG).

Published:
— with international search report

(88) Date of publication of the international search report:
29 November 2001

For two-letter codes and other abbreviations, refer to the "Guidance Notes on Codes and Abbreviations" appearing at the beginning of each regular issue of the PCT Gazette.

(54) Title: HAND-HELD PERSONAL COMPUTING DEVICE WITH MICRODISPLAY



(57) Abstract: A portable hand-held computer device comprises a base (10) and a hinged support (12A, 12B, 34) pivotal between a closed position lying against the base, and an open position extending perpendicularly from the base. A microdisplay (16) attached to the distal end of the support provides a virtual display measuring between, for example, 9 inches and 19 inches diagonally. The base unit (10) houses a microcomputer (90), which drives the microdisplay (16), and a mobile telephone unit (92). Controls (42, 46) and a touch-sensitive pad (48) for operating the microcomputer (90) are provided on an upper face of the base (10). The touch-sensitive pad (48) may be an overlay upon a second display which is used to display mobile telephone information. Part (34) of the support carries a set of mobile telephone controls (36) for use when the device is closed and the part (34) obscures the microcomputer controls (42,46). The device may be used with a docking station (13) in a vehicle.



WO 01/53917 A3

INTERNATIONAL SEARCH REPORT

International Application No

PCT/CA 01/00055

A. CLASSIFICATION OF SUBJECT MATTER IPC 7 G06F1/16		
According to International Patent Classification (IPC) or to both national classification and IPC		
B. FIELDS SEARCHED		
Minimum documentation searched (classification system followed by classification symbols) IPC 7 G06F		
Documentation searched other than minimum documentation to the extent that such documents are included in the fields searched		
Electronic data base consulted during the international search (name of data base and, where practical, search terms used)		
C. DOCUMENTS CONSIDERED TO BE RELEVANT		
Category °	Citation of document, with indication, where appropriate, of the relevant passages	Relevant to claim No.
X	US 5 867 795 A (NOVIS ET AL.) 2 February 1999 (1999-02-02) column 3, line 23 - line 57 column 5, line 42 - line 46 column 6, line 1 - line 16; figures 1-3 ---	1,3
X	US 5 970 418 A (BUDD ET AL.) 19 October 1999 (1999-10-19) column 1, line 16 - line 29 column 2, line 8 - line 26 column 3, line 60 - column 4, line 51; figures 1-11 ---	1
A	WO 91 12578 A (MICROSLATE INC.) 22 August 1991 (1991-08-22) page 4, line 8 - page 5, line 3; figures 1,2 -----	1,3
<input type="checkbox"/> Further documents are listed in the continuation of box C.		
<input checked="" type="checkbox"/> Patent family members are listed in annex.		
° Special categories of cited documents :		
"A" document defining the general state of the art which is not considered to be of particular relevance	"T" later document published after the international filing date or priority date and not in conflict with the application but cited to understand the principle or theory underlying the invention	
"E" earlier document but published on or after the international filing date	"X" document of particular relevance; the claimed invention cannot be considered novel or cannot be considered to involve an inventive step when the document is taken alone	
"L" document which may throw doubts on priority claim(s) or which is cited to establish the publication date of another citation or other special reason (as specified)	"Y" document of particular relevance; the claimed invention cannot be considered to involve an inventive step when the document is combined with one or more other such documents, such combination being obvious to a person skilled in the art.	
"O" document referring to an oral disclosure, use, exhibition or other means	"&" document member of the same patent family	
"P" document published prior to the international filing date but later than the priority date claimed		
Date of the actual completion of the international search <div style="text-align: center; font-size: 1.2em;">17 May 2001</div>	Date of mailing of the international search report <div style="text-align: center; font-size: 1.2em;">13. 8. 01</div>	
Name and mailing address of the ISA European Patent Office, P.B. 5818 Patentlaan 2 NL - 2280 HV Rijswijk Tel. (+31-70) 340-2040, Tx. 31 651 epo nl, Fax: (+31-70) 340-3016	Authorized officer <div style="text-align: center; font-size: 1.2em;">Taylor, P</div>	

INTERNATIONAL SEARCH REPORT

International application No.
PCT/CA 01/00055

Box I Observations where certain claims were found unsearchable (Continuation of item 1 of first sheet)

This International Search Report has not been established in respect of certain claims under Article 17(2)(a) for the following reasons:

1. Claims Nos.:
because they relate to subject matter not required to be searched by this Authority, namely:

2. Claims Nos.:
because they relate to parts of the International Application that do not comply with the prescribed requirements to such an extent that no meaningful International Search can be carried out, specifically:

3. Claims Nos.:
because they are dependent claims and are not drafted in accordance with the second and third sentences of Rule 6.4(a).

Box II Observations where unity of invention is lacking (Continuation of item 2 of first sheet)

This International Searching Authority found multiple inventions in this international application, as follows:

1. As all required additional search fees were timely paid by the applicant, this International Search Report covers all searchable claims.

2. As all searchable claims could be searched without effort justifying an additional fee, this Authority did not invite payment of any additional fee.

3. As only some of the required additional search fees were timely paid by the applicant, this International Search Report covers only those claims for which fees were paid, specifically claims Nos.:

4. No required additional search fees were timely paid by the applicant. Consequently, this International Search Report is restricted to the invention first mentioned in the claims; it is covered by claims Nos.:

1-9

Remark on Protest

- The additional search fees were accompanied by the applicant's protest.
- No protest accompanied the payment of additional search fees.

FURTHER INFORMATION CONTINUED FROM PCT/ISA/ 210

This International Searching Authority found multiple (groups of) inventions in this international application, as follows:

1. Claims: 1-9 Portable personal computer device having a microdisplay mounted on an elongate support pivotably attached to the base unit.

2. Claims: 10-11 Means for connecting a portable personal computer to a docking unit mounted in a vehicle for use as a navigation system

3. Claims: 12-13. A computer for use in a navigation system installed in a vehicle in which a display mounted in the vehicle is disabled when the vehicle exceeds a reference speed.

INTERNATIONAL SEARCH REPORT

Information on patent family members

International Application No

PCT/CA/01/00055

Patent document cited in search report	Publication date	Patent family member(s)	Publication date
US 5867795 A	02-02-1999	NONE	
US 5970418 A	19-10-1999	EP 0833486 A	01-04-1998
		JP 9219755 A	19-08-1997
		KR 237990 B	15-01-2000
		US 5997949 A	07-12-1999
WO 9112578 A	22-08-1991	CA 2002912 A	14-05-1990
		US 5379057 A	03-01-1995
		US 5675362 A	07-10-1997