



US00D445339S

(12) **United States Design Patent**  
**Bazlur**

(10) **Patent No.:** **US D445,339 S**

(45) **Date of Patent:** **\*\* Jul. 24, 2001**

(54) **CONTAINER**

(75) **Inventor:** **Rashid A. B. M. Bazlur**, Neenah, WI  
(US)

(73) **Assignee:** **Pechiney Emballage Flexible Europe**  
(FR)

(\*\*) **Term:** **14 Years**

(21) **Appl. No.:** **29/119,041**

(22) **Filed:** **Feb. 23, 2000**

(51) **LOC (7) Cl.** ..... **09-01**

(52) **U.S. Cl.** ..... **D9/538; D9/541; D9/542;**  
**D9/546; D9/559**

(58) **Field of Search** ..... **D9/500, 502, 503,**  
**D9/506, 516, 549, 551, 556, 557, 558,**  
**569, 570, 574, 575, 538-542, 530, 544-546,**  
**550, 559-560, 522, 564, 571-573, 510,**  
**454; 220/253-254, 258, 662, 669**

(56) **References Cited**

**U.S. PATENT DOCUMENTS**

D. 223,808	*	6/1972	Beaver	.....	D9/542
D. 228,626	*	10/1973	Knies	.....	D9/347
D. 270,331	*	8/1983	Benson	.....	D9/560
D. 288,906	*	3/1987	Strand	.....	D9/558
D. 314,142	*	1/1991	Briggs	.....	D9/550
D. 321,830	*	11/1991	York et al.	.....	D9/549
D. 402,563	*	12/1998	Prevot et al.	.....	D9/538
D. 405,698	*	2/1999	Lykken	.....	D9/541
D. 423,366	*	4/2000	Gans	.....	D9/541
D. 426,164	*	6/2000	Gans et al.	.....	D9/541

D. 426,469	*	6/2000	Mankowski et al.	.....	D9/541
D. 428,814	*	8/2000	Silvers et al.	.....	D9/502
D. 429,647	*	8/2000	Warner et al.	.....	D9/538
D. 435,455	*	12/2000	Gans	.....	D9/541
6,016,932	*	1/2000	Gaydosh et al.	.....	215/382

\* cited by examiner

*Primary Examiner*—Ted Shooman

*Assistant Examiner*—Carol Rademaker

(74) *Attorney, Agent, or Firm*—McDermott, Will & Emery

(57) **CLAIM**

The ornamental design for a container, as shown and described.

**DESCRIPTION**

FIG. 1 is a perspective view of the design of the present invention;

FIG. 2 is a front elevational view of the design depicted in FIG. 1 shown at a reduced scale;

FIG. 3 is a left side elevational view of the design depicted in FIG. 1 shown at a reduced scale;

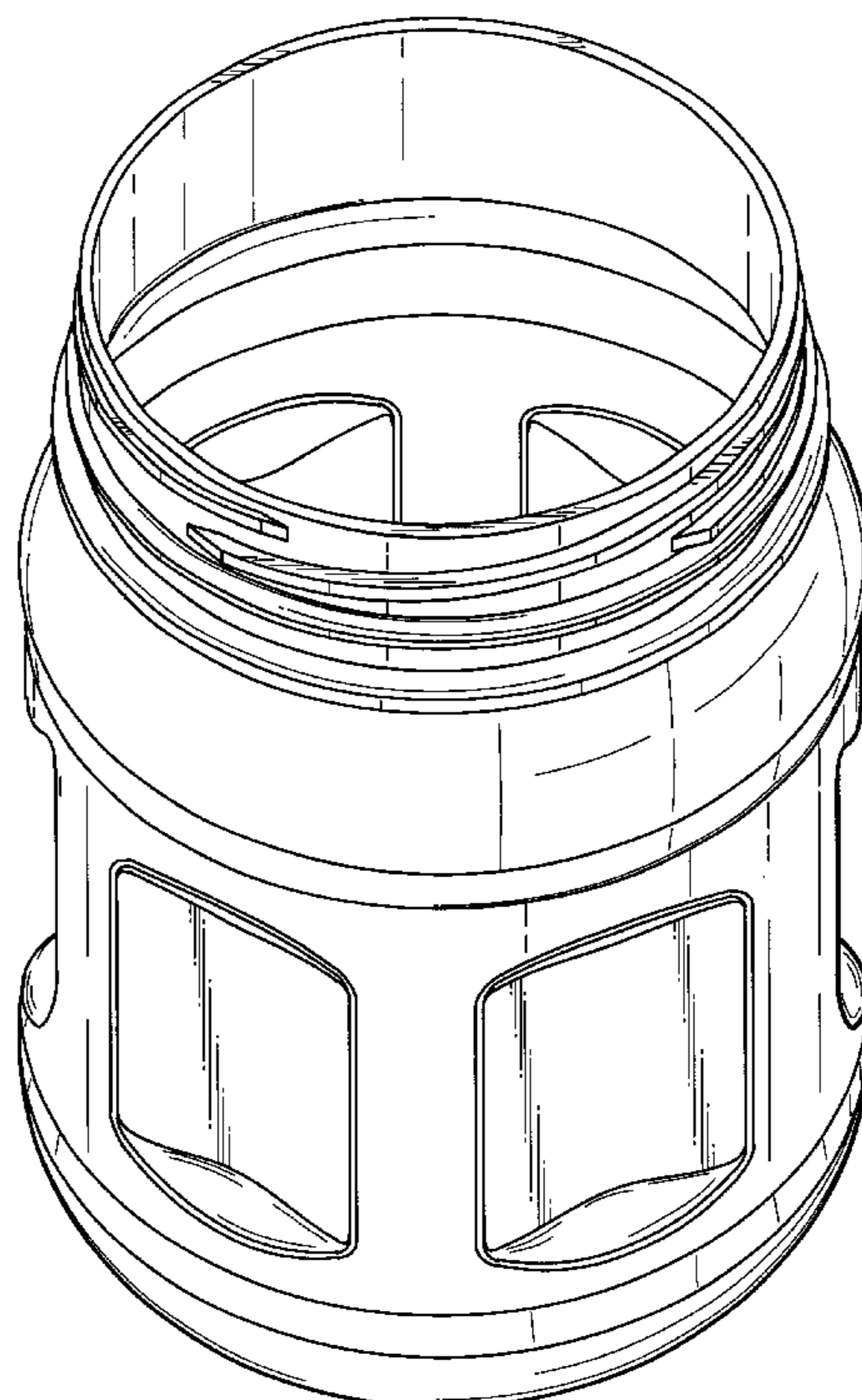
FIG. 4 is a top plan view of the design depicted in FIG. 1 shown at a reduced scale; and,

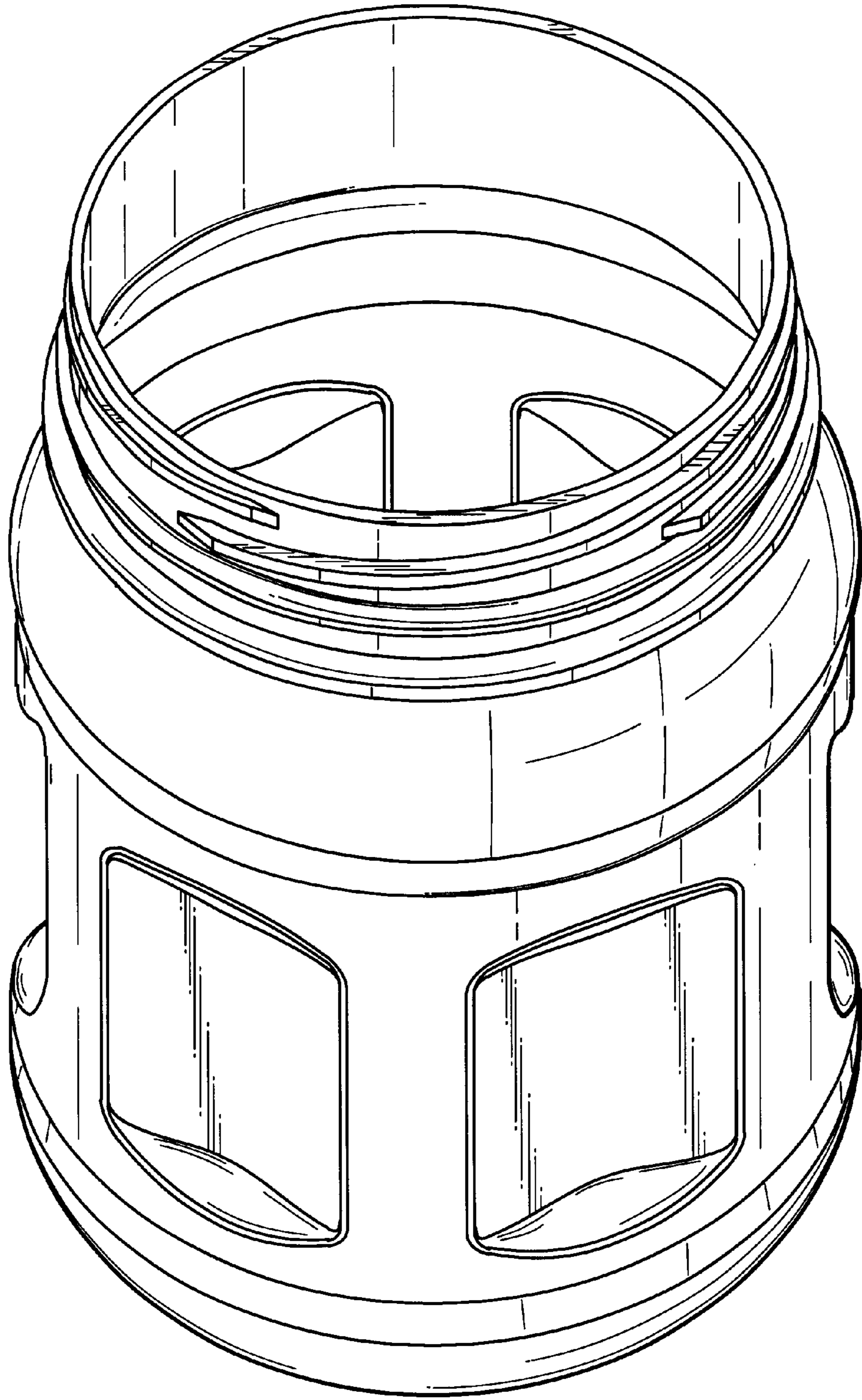
FIG. 5 is a bottom plan view of the design depicted in FIG. 1 shown at a reduced scale.

The rear elevational view is the same as the front elevational view, and the right elevational view is the same as the left elevational view, with the exception of the threads.

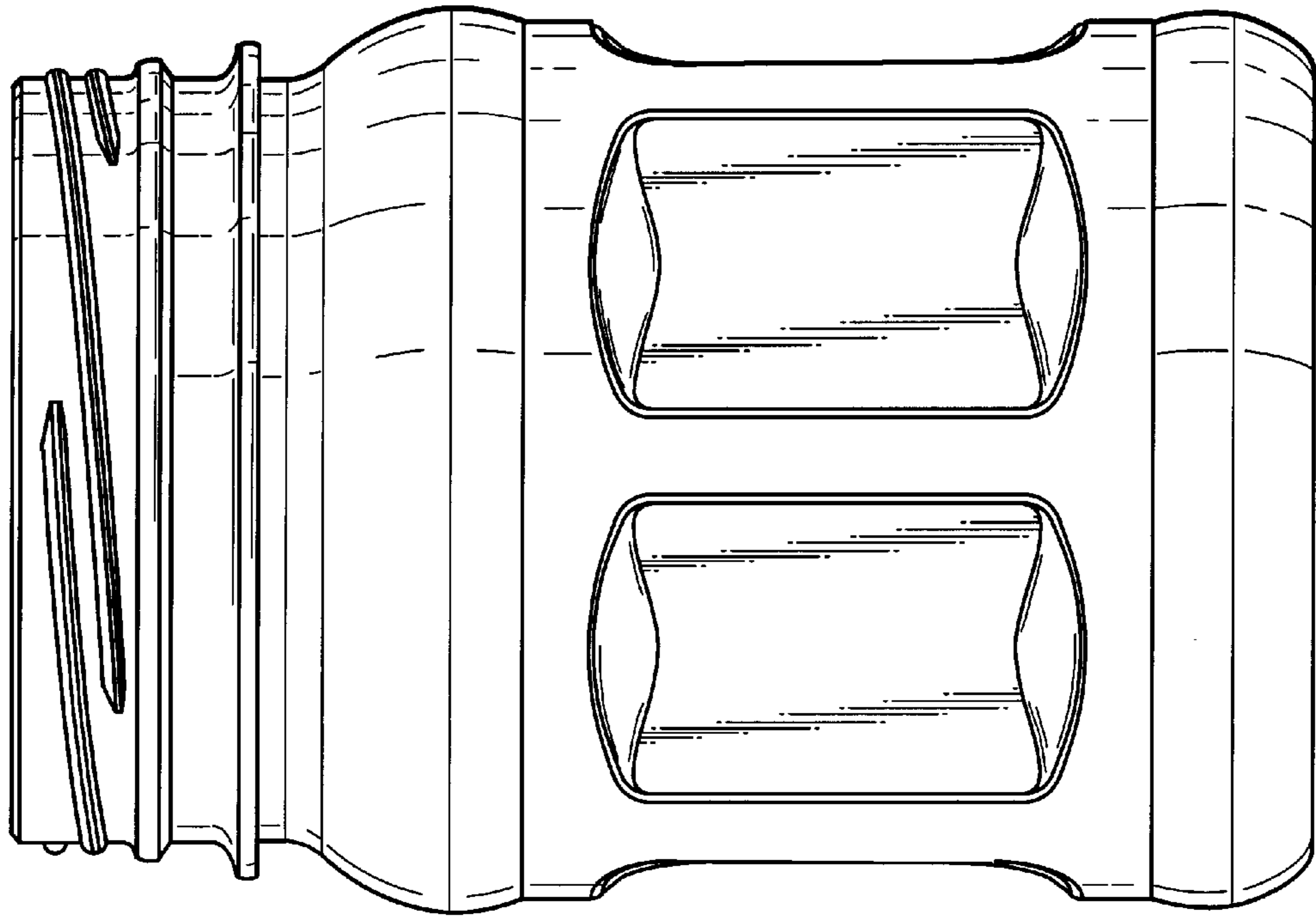
The broken line showing of environment in FIGS. 4 & 5 is for illustrative purposes only and forms no part of the claimed design.

**1 Claim, 3 Drawing Sheets**

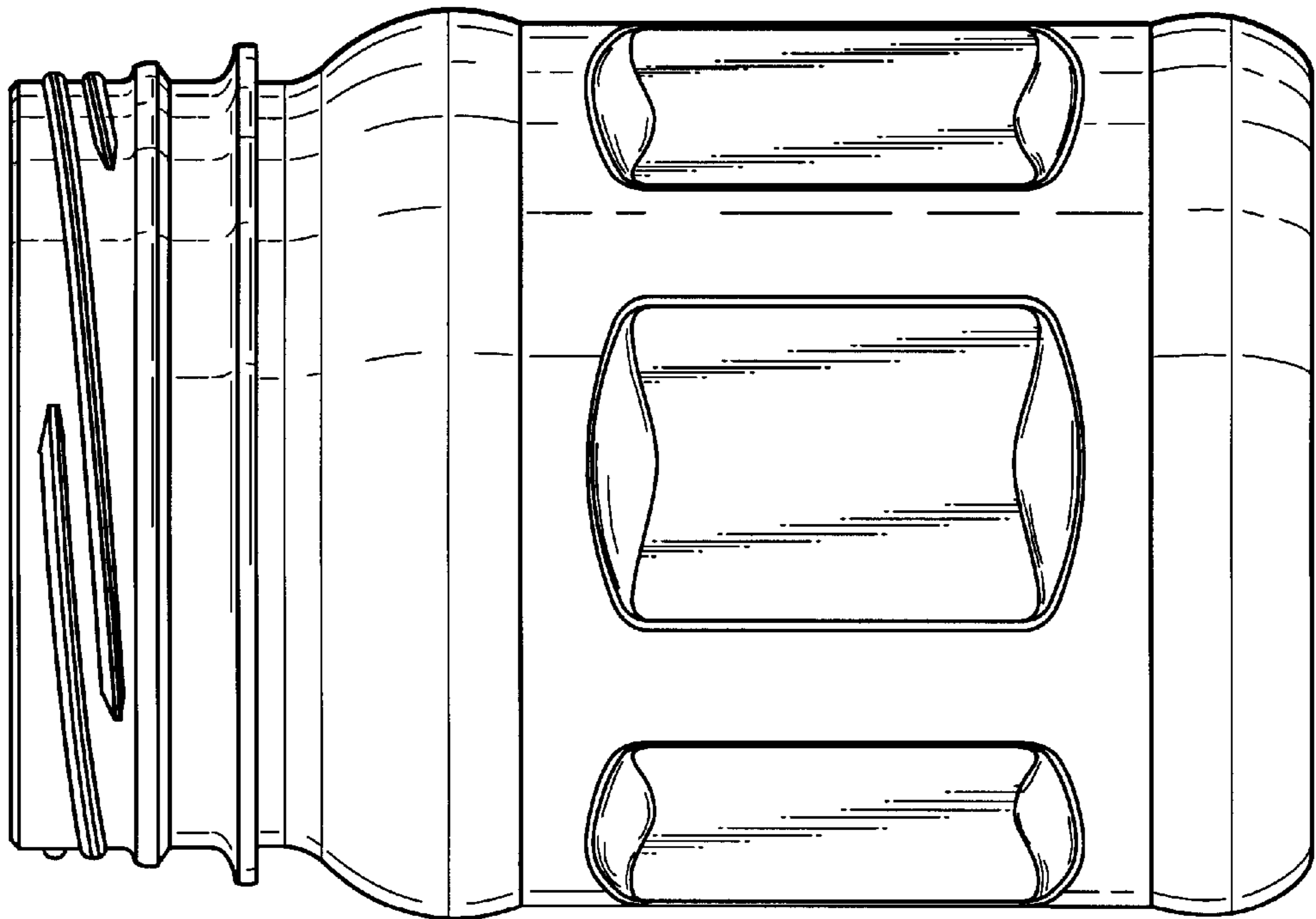




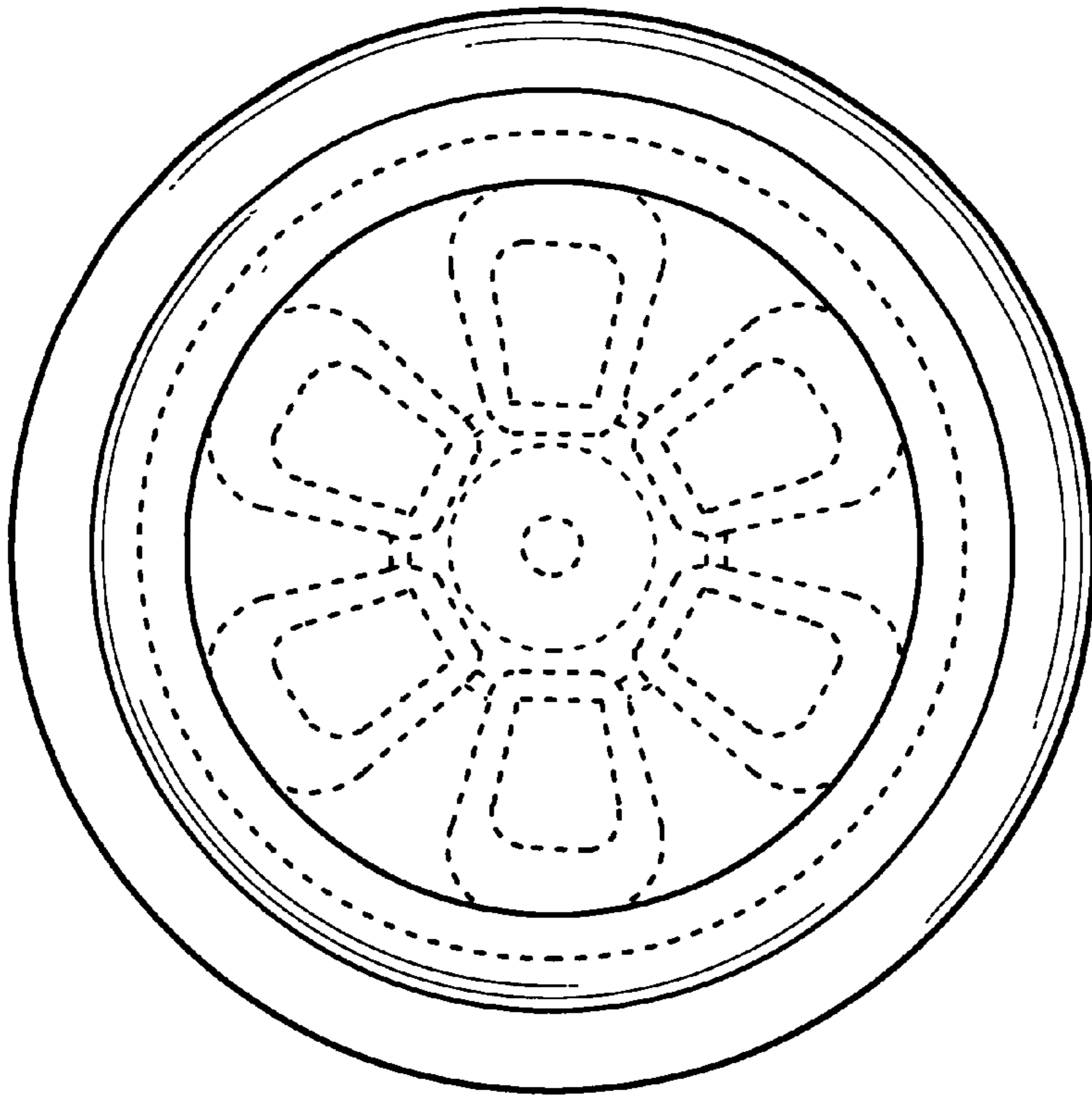
*Fig. 1*



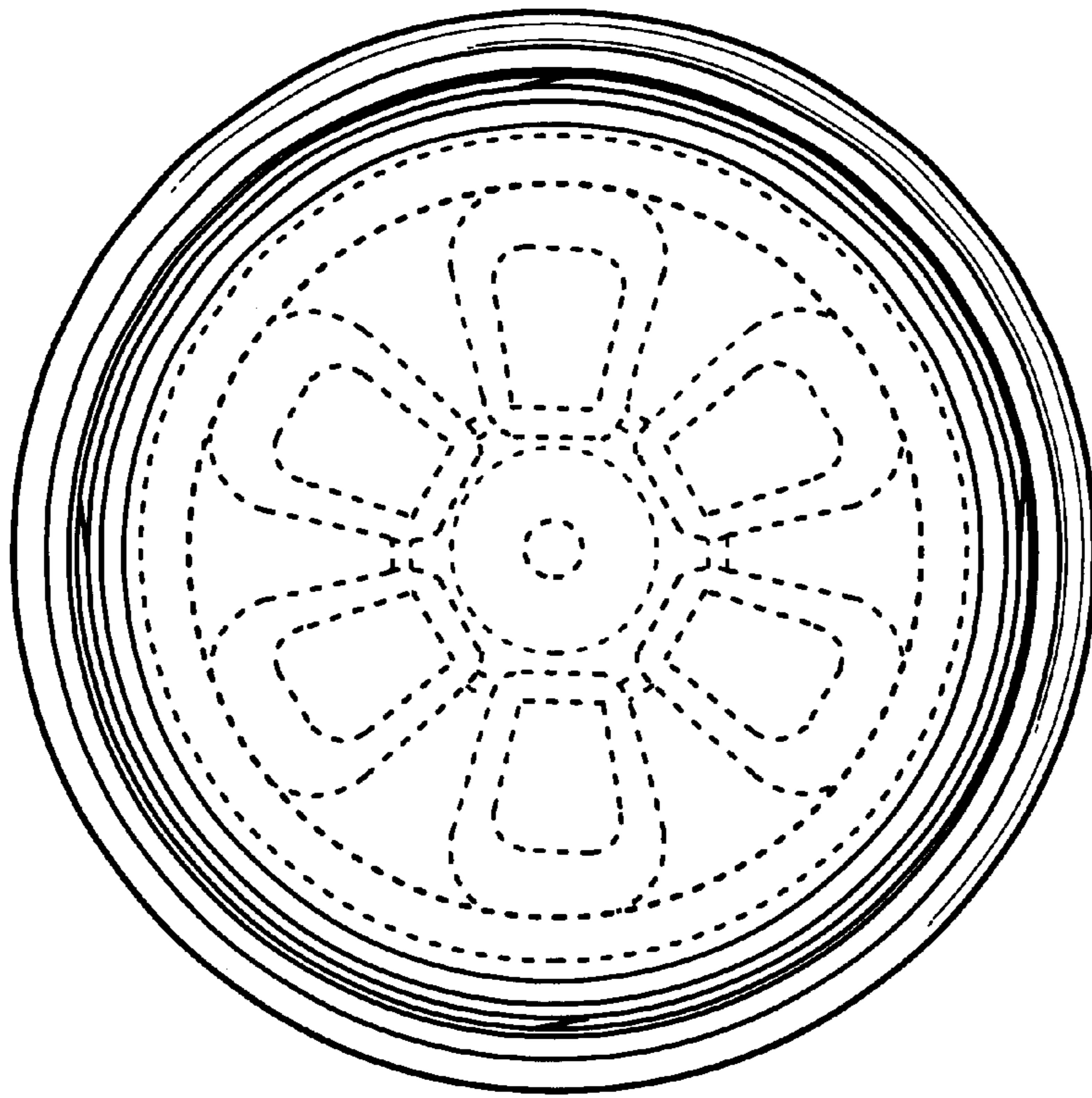
*Fig. 3*



*Fig. 2*



*Fig. 5*



*Fig. 4*