



US00D457512S

(12) **United States Design Patent**  
Yoneda

(10) **Patent No.:** **US D457,512 S**

(45) **Date of Patent:** **\*\* May 21, 2002**

(54) **HEADPHONE**

D422,592 S 4/2000 Deguchi  
D435,249 S \* 12/2000 Yasutomi ..... D14/205

(75) Inventor: **Naofumi Yoneda, Tokyo (JP)**

**OTHER PUBLICATIONS**

(73) Assignee: **Sony Corporation, Tokyo (JP)**

Catalog "Headphone/Active speaker system", pp. 13, 14 & 19, Sony Corporation, Jul. 2000.

(\*\*) Term: **14 Years**

\* cited by examiner

(21) Appl. No.: **29/144,207**

*Primary Examiner*—Nanda Bondade

(22) Filed: **Jun. 29, 2001**

(74) *Attorney, Agent, or Firm*—Rader, Fishman & Grauer, PLLC

(51) **LOC (7) Cl.** ..... **14-01**

(52) **U.S. Cl.** ..... **D14/205**

(57) **CLAIM**

(58) **Field of Search** ..... D14/188, 192,  
D14/205-206, 223; 181/129-130; 379/430,  
433; 381/370, 376-381

The ornamental design for a headphone, as shown and described.

**DESCRIPTION**

(56) **References Cited**

FIG. 1 is a perspective view of a headphone showing my new design;

**U.S. PATENT DOCUMENTS**

FIG. 2 is a front elevational view thereof;

D358,390 S \* 5/1995 Hayashi ..... D14/205

FIG. 3 is a rear elevational view thereof;

D373,360 S 9/1996 Kanno

FIG. 4 is a left side elevational view thereof;

D391,573 S 3/1998 Nakamura

FIG. 5 is a right side elevational view thereof;

D409,197 S 5/1999 Nakamura

FIG. 6 is a top plan view thereof; and,

D410,466 S 6/1999 Mouri

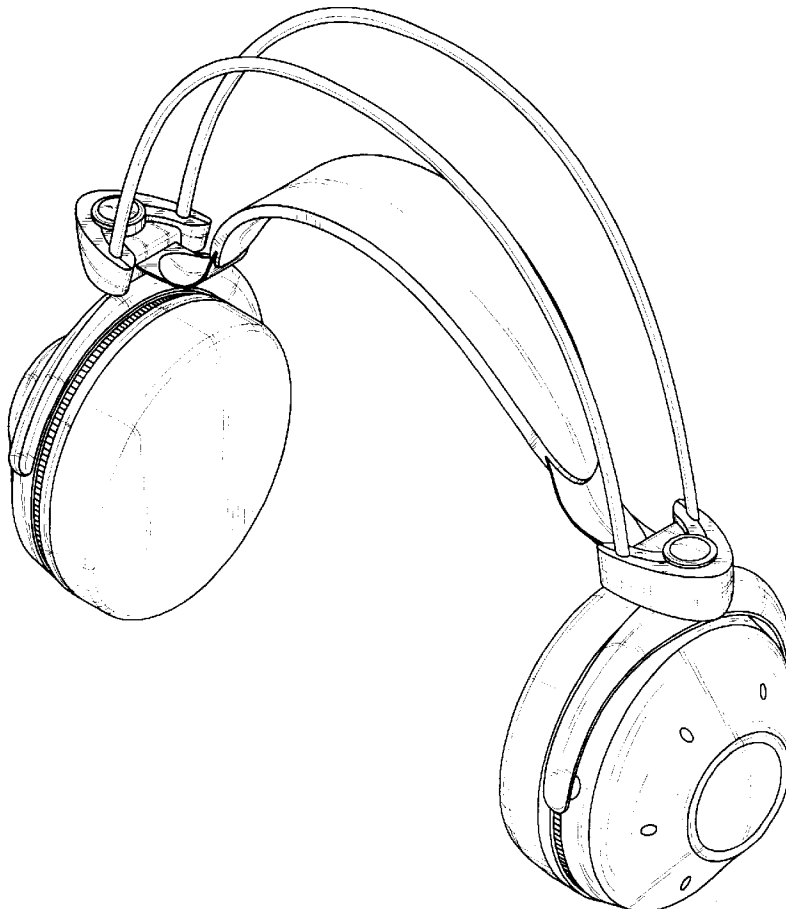
FIG. 7 is a bottom plan view thereof.

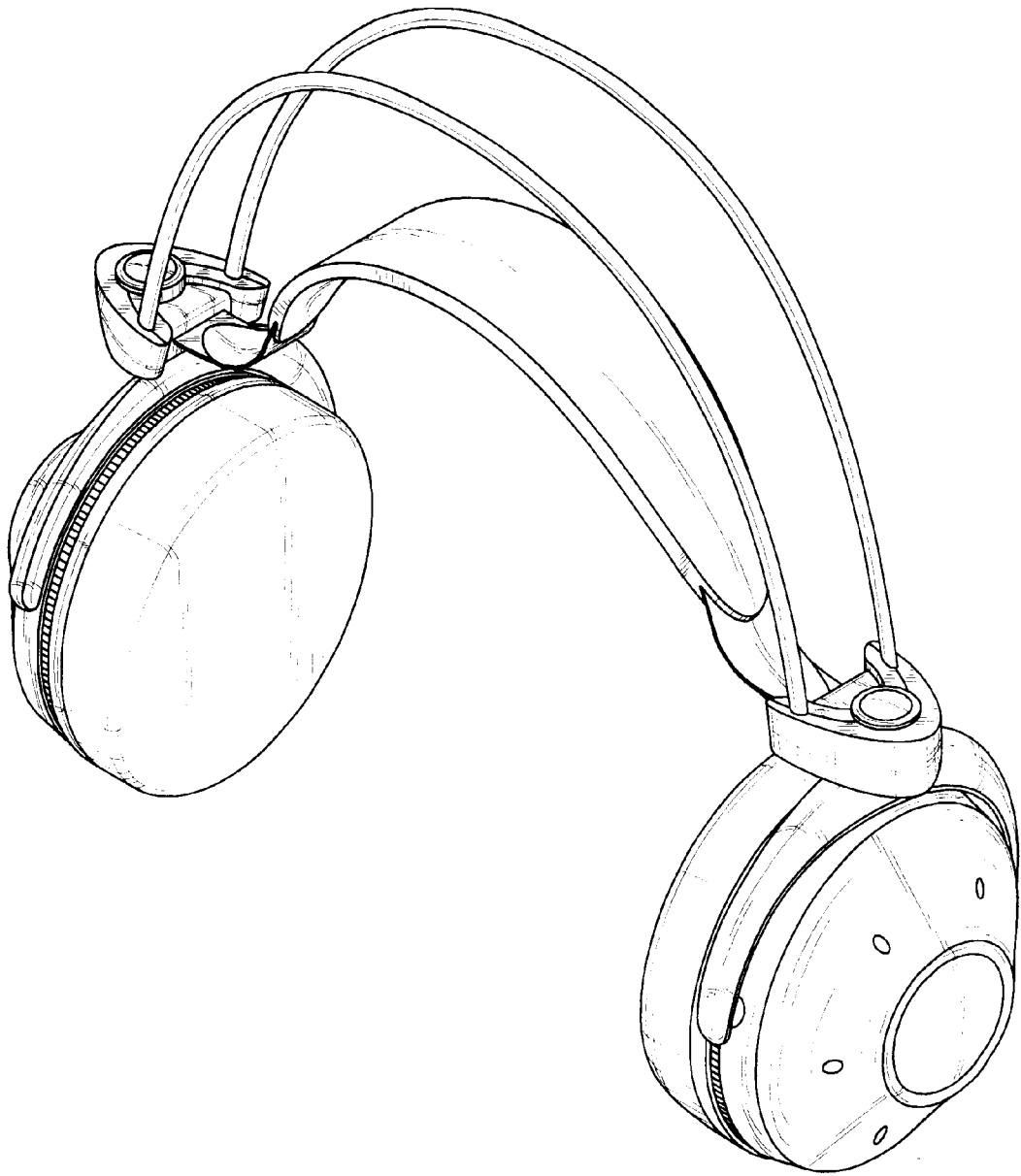
5,987,147 A \* 11/1999 Nishimoto ..... 381/370

6,006,115 A \* 12/1999 Wingate ..... 379/430

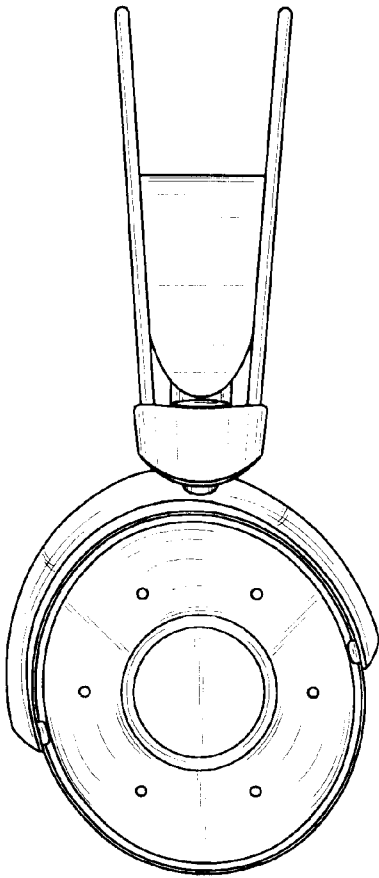
D420,356 S 2/2000 Suzuki

**1 Claim, 4 Drawing Sheets**

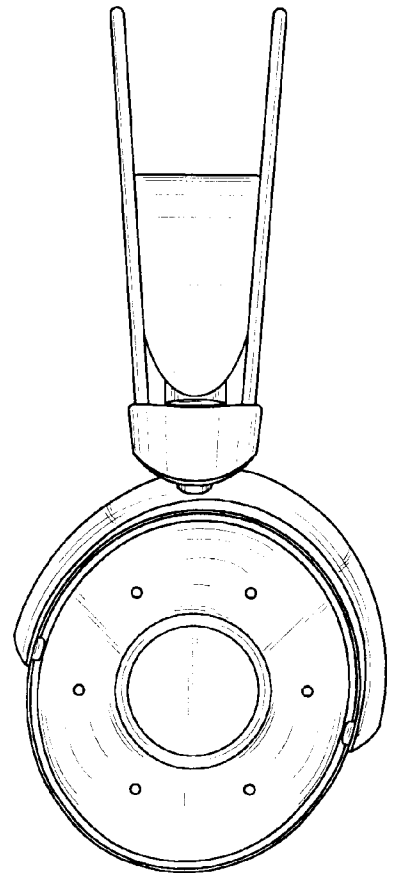




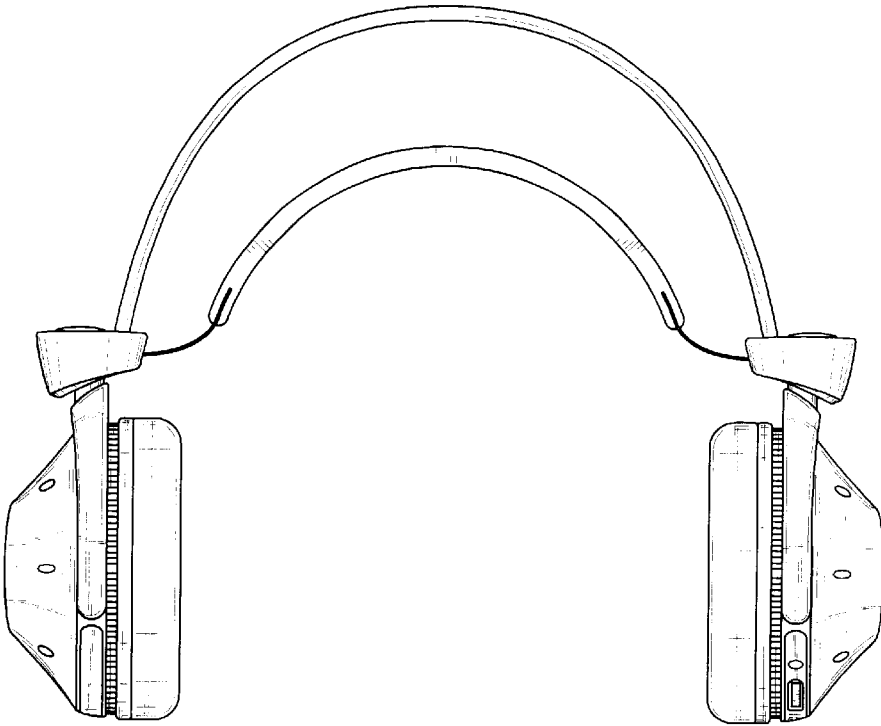
**Fig. 1**



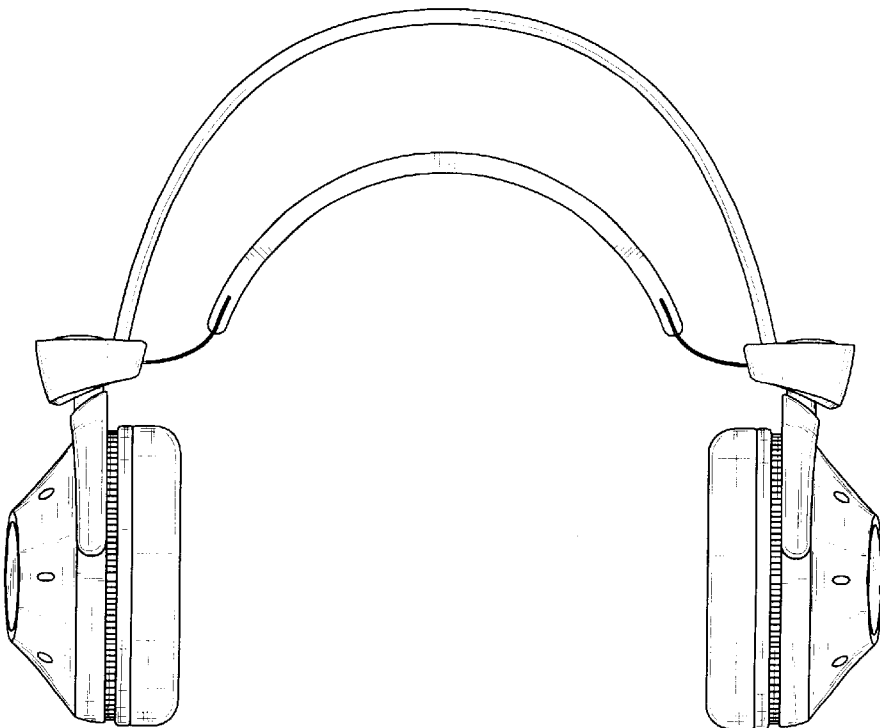
**Fig. 2**



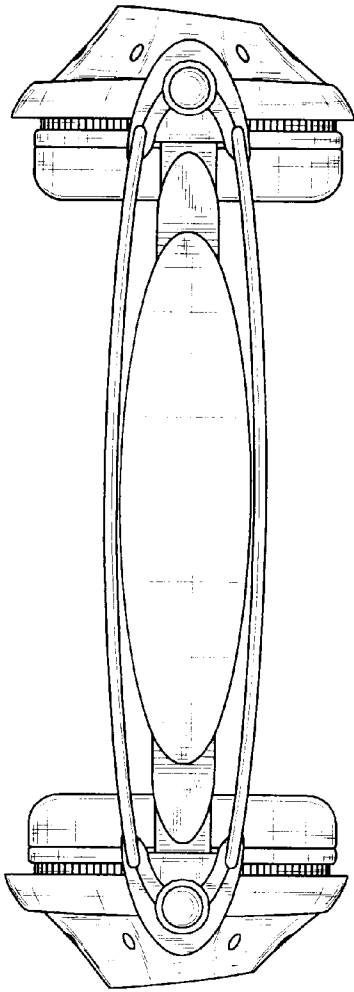
**Fig. 3**



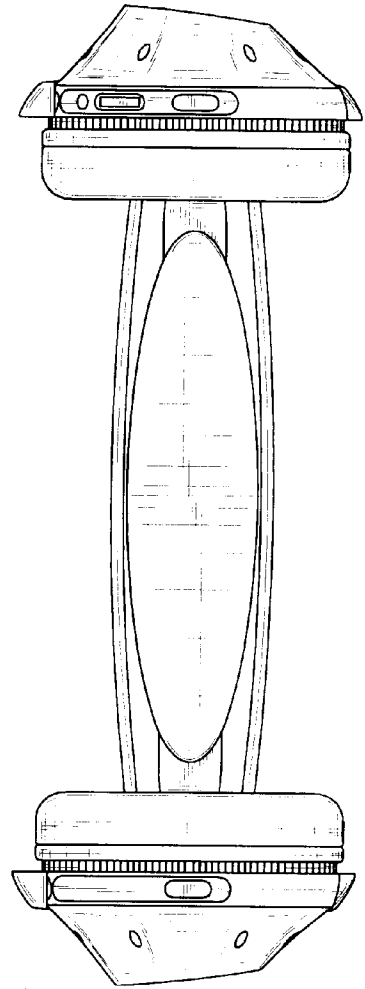
**Fig. 4**



**Fig. 5**



**Fig. 6**



**Fig. 7**