



US00D520989S

(12) **United States Design Patent**
Miller

(10) **Patent No.:** **US D520,989 S**

(45) **Date of Patent:** **** May 16, 2006**

(54) **TOUCH SCREEN REMOTE CONTROL**

D426,826 S	*	6/2000	Uehara	D14/218
D478,894 S	*	8/2003	Oikawa	D14/218
D501,463 S	*	2/2005	Hisatsune	D14/218

(75) Inventor: **John Matthew Miller**, Indianapolis, IN
(US)

* cited by examiner

(73) Assignee: **Thomson Licensing, S.A.**,
Boulogne-Billancourt (FR)

Primary Examiner—Louis S. Zarfaz

Assistant Examiner—John Windmuller

(**) Term: **14 Years**

(74) *Attorney, Agent, or Firm*—Fletcher Yoder

(21) Appl. No.: **29/234,302**

(57) **CLAIM**

(22) Filed: **Jul. 15, 2005**

The ornamental design for a touch screen remote control, as shown and described.

(51) **LOC (8) Cl.** **14-03**

DESCRIPTION

(52) **U.S. Cl.** **D14/218**

(58) **Field of Classification Search** D14/174,
D14/217, 218, 137-139, 151, 191-193, 299,
D14/167, 168; D13/168, 162-164; D21/512-517,
D21/566; D10/104, 106; 455/352-355, 151.1-151.4,
455/128, 347, 90.3; 348/114, 734
See application file for complete search history.

FIG. 1 is a top perspective view of a remote control showing my new design;
FIG. 2 is a top plan view thereof;
FIG. 3 is a front elevational view thereof;
FIG. 4 is a right side elevational view thereof, the left side elevational view being a mirror image; and,
FIG. 5 is a bottom plan view thereof.

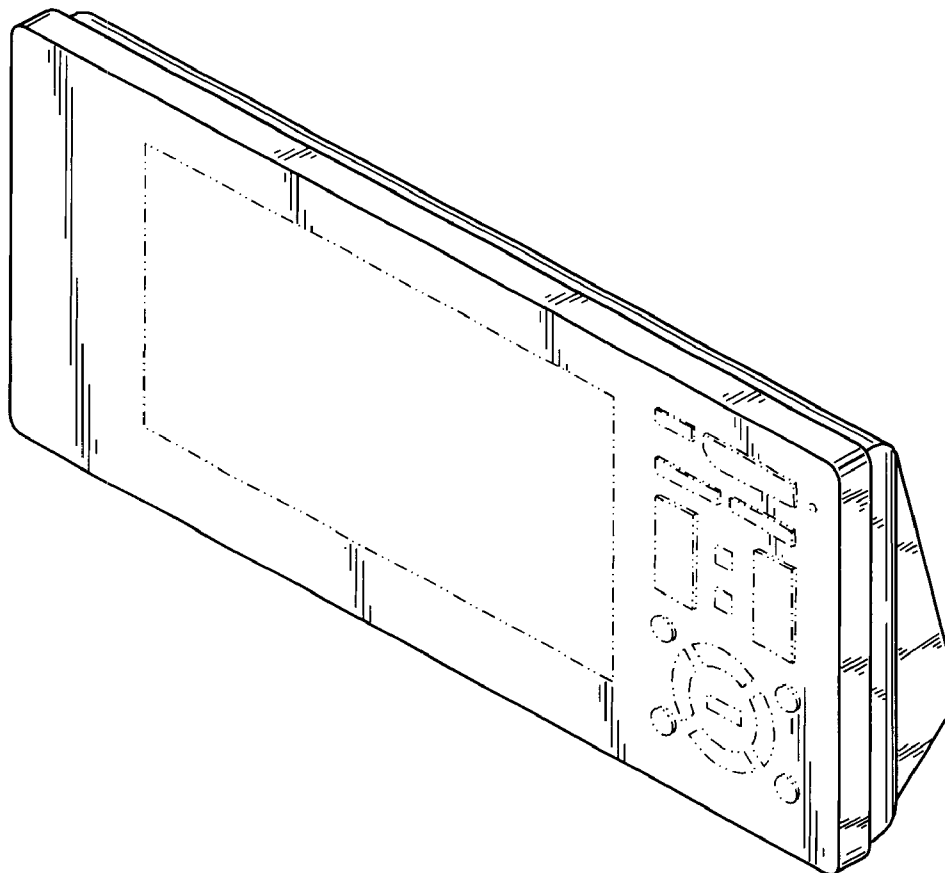
The broken lines provided in the above views are used to indicate environmental structures and form no part of the claimed design.

(56) **References Cited**

U.S. PATENT DOCUMENTS

D348,268 S	*	6/1994	Chambers	D14/218
D423,508 S	*	4/2000	Nakajima	D14/218

1 Claim, 3 Drawing Sheets



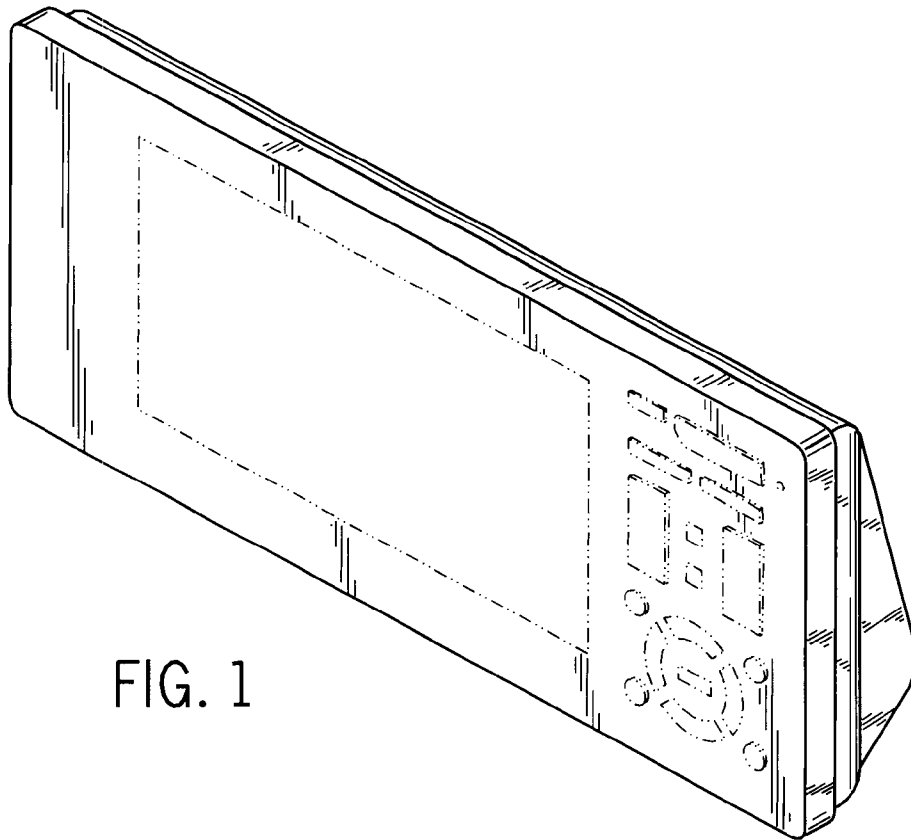


FIG. 1

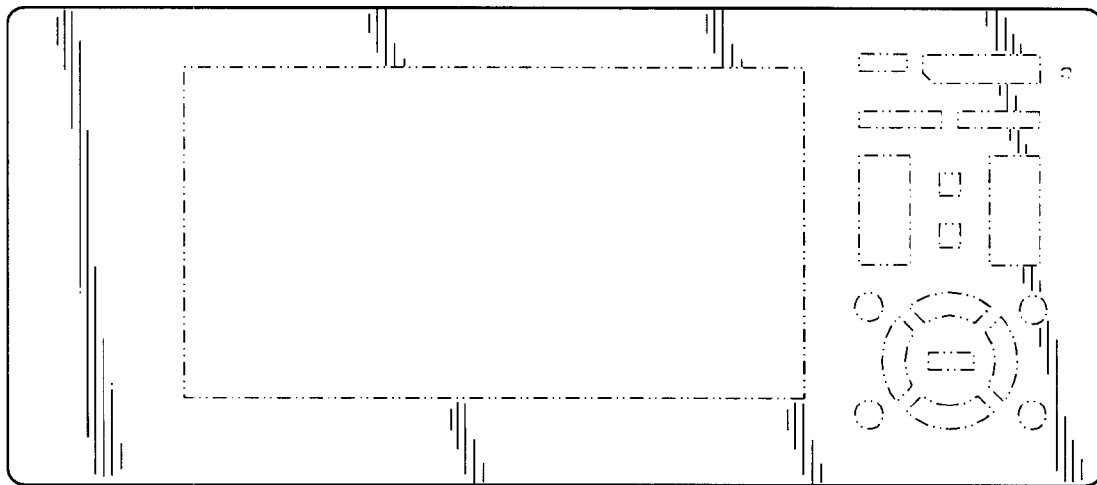


FIG. 2

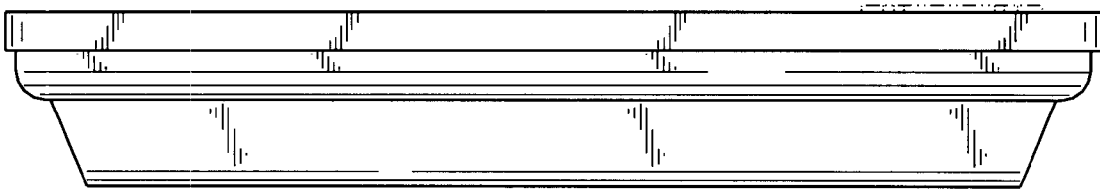


FIG. 3

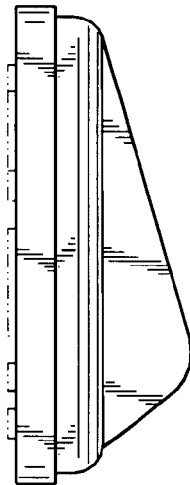


FIG. 4

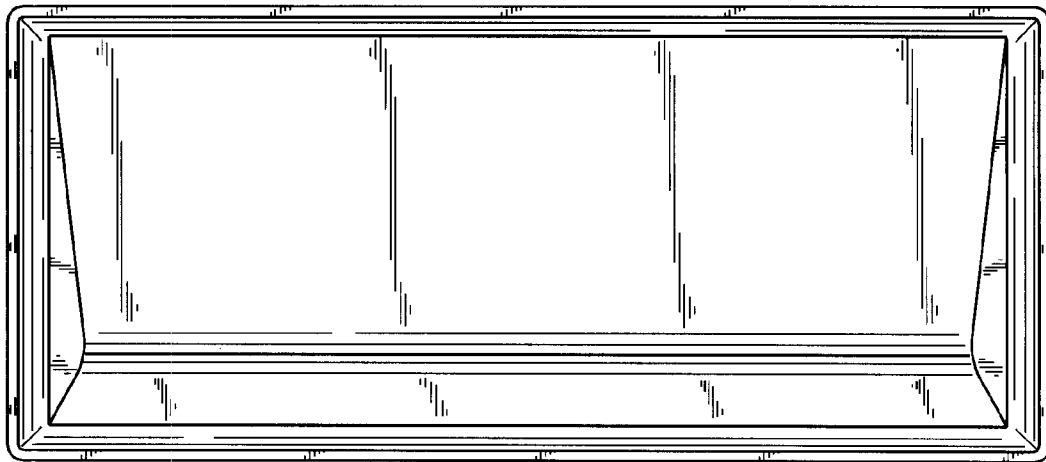


FIG. 5