



US00D534769S

(12) **United States Design Patent**
Norris et al.

(10) **Patent No.:** **US D534,769 S**

(45) **Date of Patent:** **** Jan. 9, 2007**

(54) **BEVERAGEWARE**

(75) Inventors: **Daniel A. Norris**, Williamsville, NY
(US); **Ron Lapsker**, Maple (CA)

(73) Assignee: **Prosoft International, Inc.**, Bridgetown
(BB)

(**) Term: **14 Years**

(21) Appl. No.: **29/222,190**

(22) Filed: **Jan. 26, 2005**

(51) **LOC (8) Cl.** **07-01**

(52) **U.S. Cl.** **D7/523; D7/536**

(58) **Field of Classification Search** D7/523,
D7/532, 531, 509, 301, 392.1, 507, 515, 514,
D7/513, 510, 511, 608; D34/1; D11/152,
D11/164; D9/504, 516, 695, 431; 222/519;
206/219; 220/675, 703, 709; 229/400, 403;
215/307; 210/85

See application file for complete search history.

(56) **References Cited**

U.S. PATENT DOCUMENTS

D67,869 S	*	7/1925	Boswell	D7/523
D173,106 S	*	9/1954	Foster	D7/524
D217,090 S	*	4/1970	Angelakos	D7/523
D383,037 S	*	9/1997	Asberg	D7/511
D417,820 S	*	12/1999	Pelz et al.	D7/523
D437,230 S	*	2/2001	Andrew	D9/516
D459,156 S	*	6/2002	Davidson	D7/524

D462,238 S	*	9/2002	Wyche	D7/523
D469,658 S	*	2/2003	Norris et al.	D7/523
D479,437 S	*	9/2003	Gluck	D7/523
D479,670 S	*	9/2003	Webb	D7/532
D483,611 S	*	12/2003	Diak Ghanem	D7/523
D501,758 S	*	2/2005	Lebedev	D7/536
D502,633 S	*	3/2005	Liu	D7/523
D502,844 S	*	3/2005	Rohe	D7/510
D507,934 S	*	8/2005	Featherston et al.	D7/510

* cited by examiner

Primary Examiner—M. N. Pandozzi

(74) *Attorney, Agent, or Firm*—Hodgson Russ LLP

(57) **CLAIM**

The ornamental design for beverageware, as shown and described.

DESCRIPTION

FIG. 1 is a perspective view of beverageware showing our new design;

FIG. 2 is a right-hand side elevational view thereof, the left-hand side view thereof being a mirror image of the side shown;

FIG. 3 is a rear elevational view thereof;

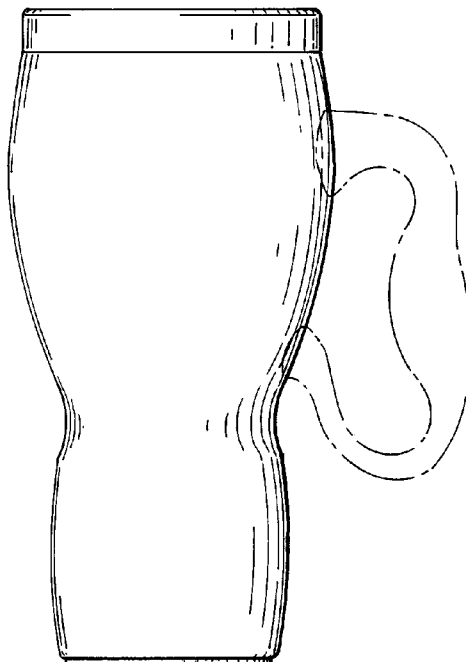
FIG. 4 is a front elevational view thereof;

FIG. 5 is a top plan view thereof; and,

FIG. 6 is a bottom plan view thereof.

The broken lines in the drawings are for illustrative purposes only and form no part of the claimed design.

1 Claim, 2 Drawing Sheets



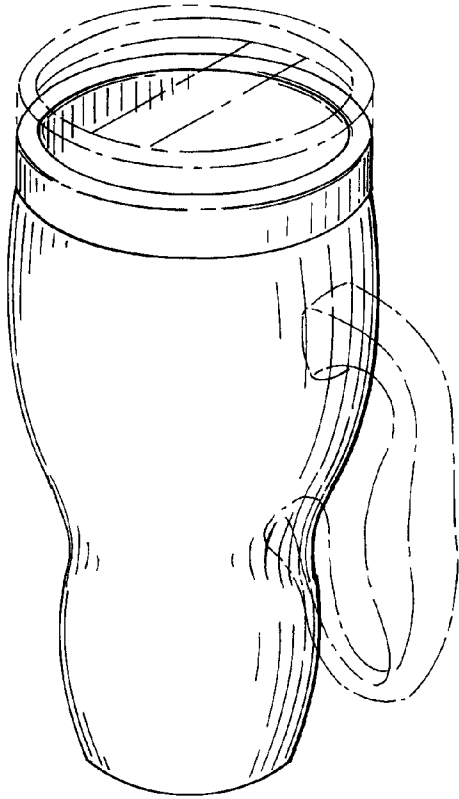


FIG. 1

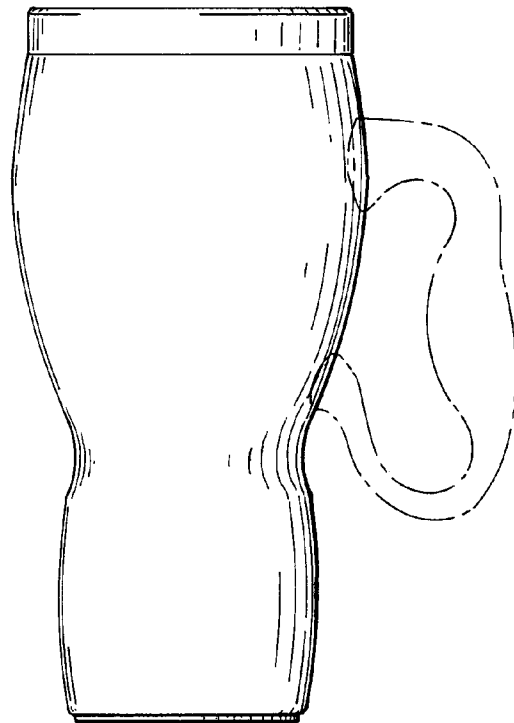


FIG. 2

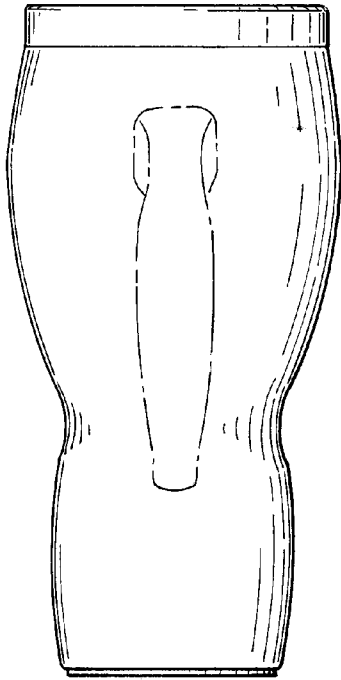


FIG. 3

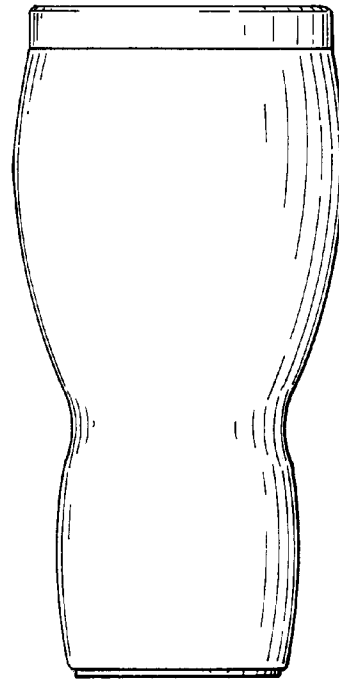


FIG. 4

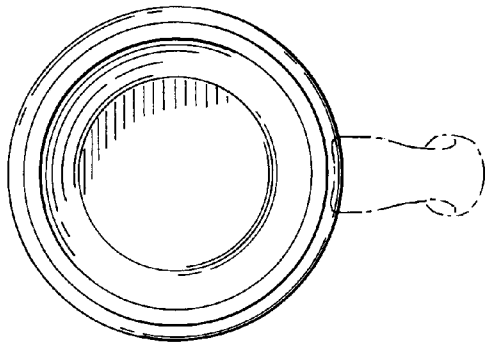


FIG. 5

FIG. 6

