



US00D799942S

(12) **United States Design Patent**
O'Brien

(10) **Patent No.:** **US D799,942 S**

(45) **Date of Patent:** **** Oct. 17, 2017**

(54) **GUARD**

(71) Applicant: **TSI Products, Inc.**, Arlington, TX (US)

(72) Inventor: **Stephen William O'Brien**, Fort Worth, TX (US)

(73) Assignee: **TSI Products, Inc.**, Arlington, TX (US)

(**) Term: **15 Years**

(21) Appl. No.: **29/586,740**

(22) Filed: **Dec. 6, 2016**

(51) **LOC (10) Cl.** **09-06**

(52) **U.S. Cl.**

USPC **D8/356**

(58) **Field of Classification Search**

USPC D8/323, 340, 343, 333, 325, 329, 336,
D8/354, 356, 349; 292/264; 16/387,
16/382, 281, 386, 211

CPC E05D 1/04; E05D 11/1014; E05B 73/007;
E05B 65/50; E05C 17/365; E05C 17/36;
E05C 17/025; B21D 53/40

See application file for complete search history.

(56) **References Cited**

U.S. PATENT DOCUMENTS

5,079,798 A * 1/1992 Burke E05D 5/0246
16/252
5,412,842 A * 5/1995 Riblett E05D 5/12
16/250
D372,852 S * 8/1996 Noll D8/328
D436,515 S * 1/2001 Sonntag D8/328

D531,020 S * 10/2006 Chustak D8/402
D649,009 S * 11/2011 Caffin D8/323
8,151,414 B2 * 4/2012 Baudasse B64G 1/222
16/227
D661,173 S * 6/2012 Caffin D8/323
D673,024 S * 12/2012 Caffin D8/323
D679,570 S * 4/2013 Farnsworth D8/323
D699,093 S * 2/2014 Farnsworth D8/323
D735,251 S * 7/2015 Jeon D15/89
D748,451 S * 2/2016 Tung D8/328
D789,172 S * 6/2017 Tomizawa D8/328
D790,325 S * 6/2017 Gupta D8/354
D791,576 S * 7/2017 Holmes D8/346

* cited by examiner

Primary Examiner — Cynthia Underwood

(74) *Attorney, Agent, or Firm* — Hitchcock Evert LLP

(57) **CLAIM**

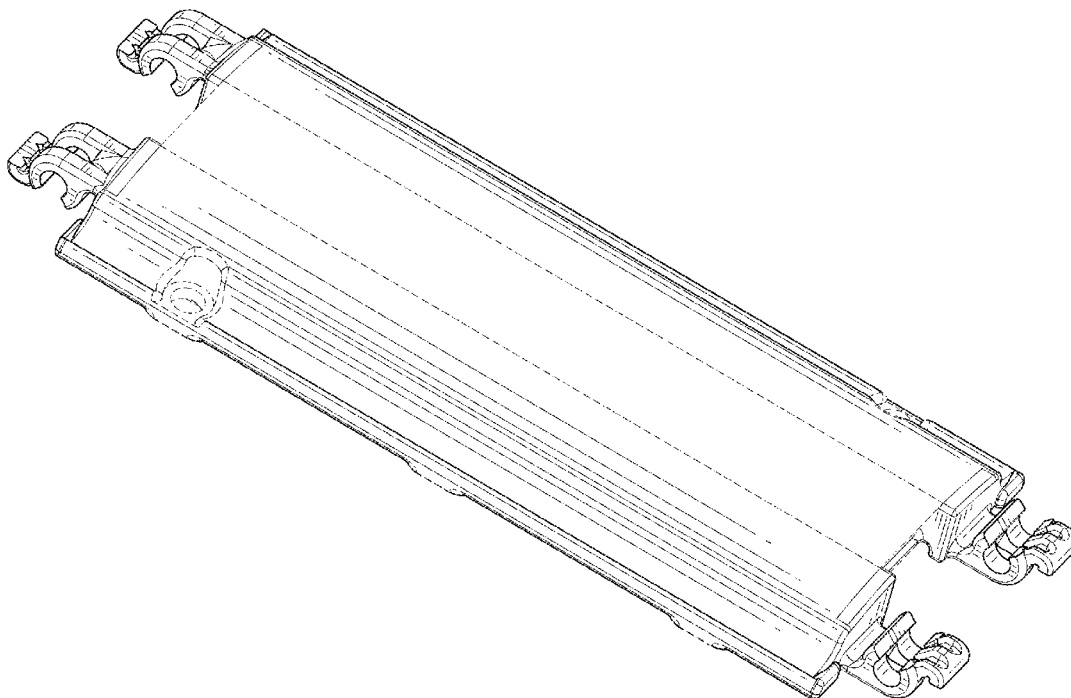
The ornamental design for a guard, as shown and described.

DESCRIPTION

FIG. 1 is a perspective view from the top-left of the guard;
FIG. 2 is a front view thereof;
FIG. 3 is a back view thereof;
FIG. 4 is a right side view thereof;
FIG. 5 is a left side view thereof;
FIG. 6 is a top view thereof;
FIG. 7 is a bottom view thereof; and,
FIG. 8 is a perspective view from the bottom-left of the guard.

The features shown in broken lines are for the purpose of illustrating portions of the article that form no part of the claimed design.

1 Claim, 6 Drawing Sheets



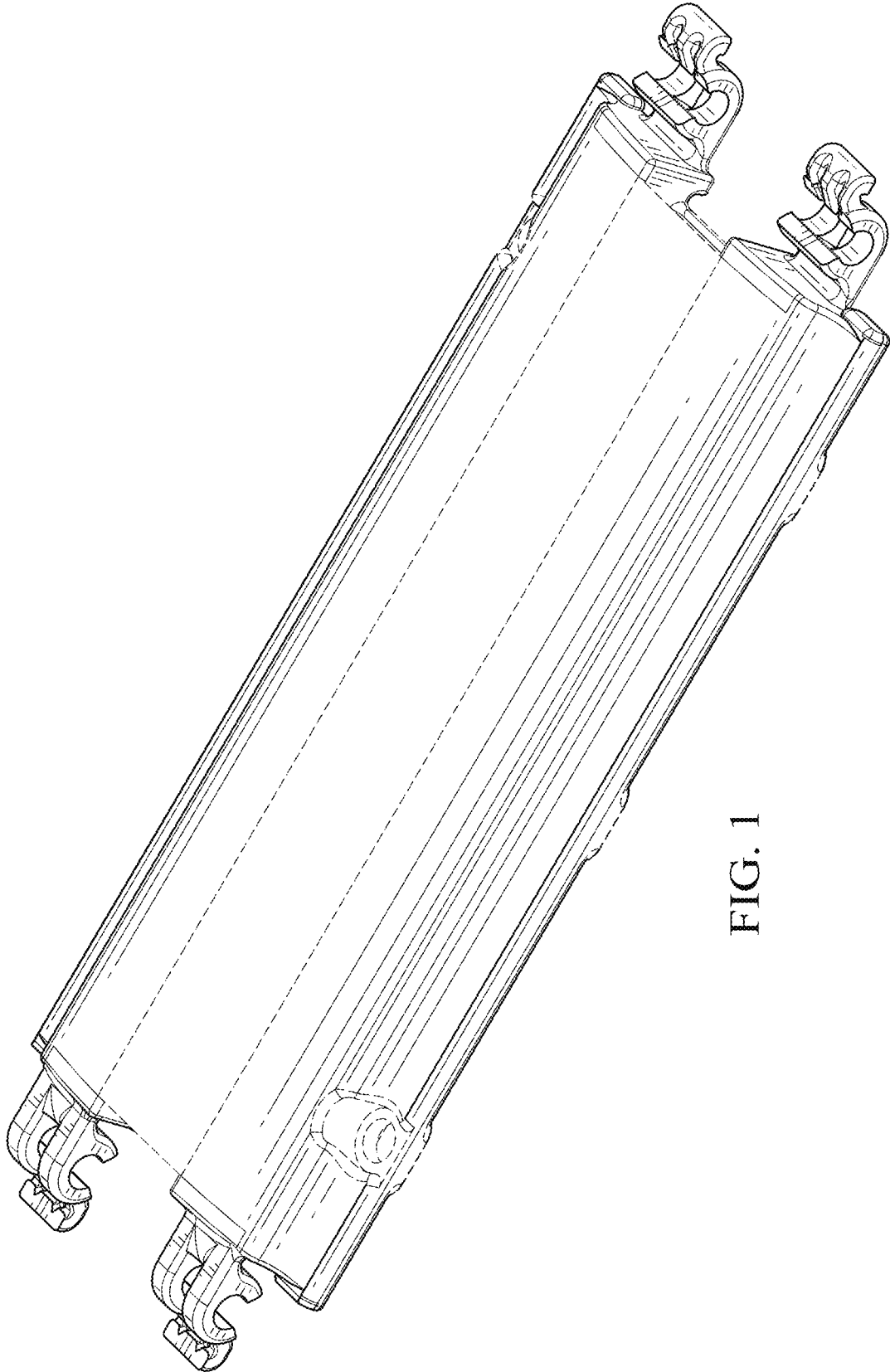


FIG. 1

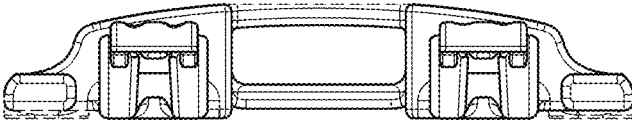


FIG. 2

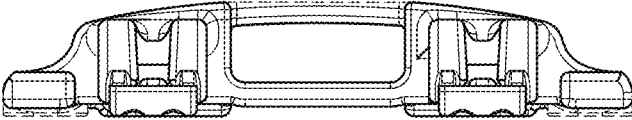


FIG. 3



FIG. 4

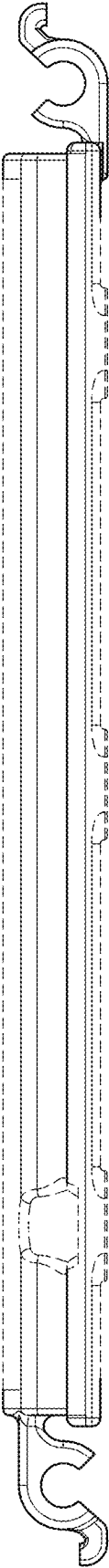


FIG. 5

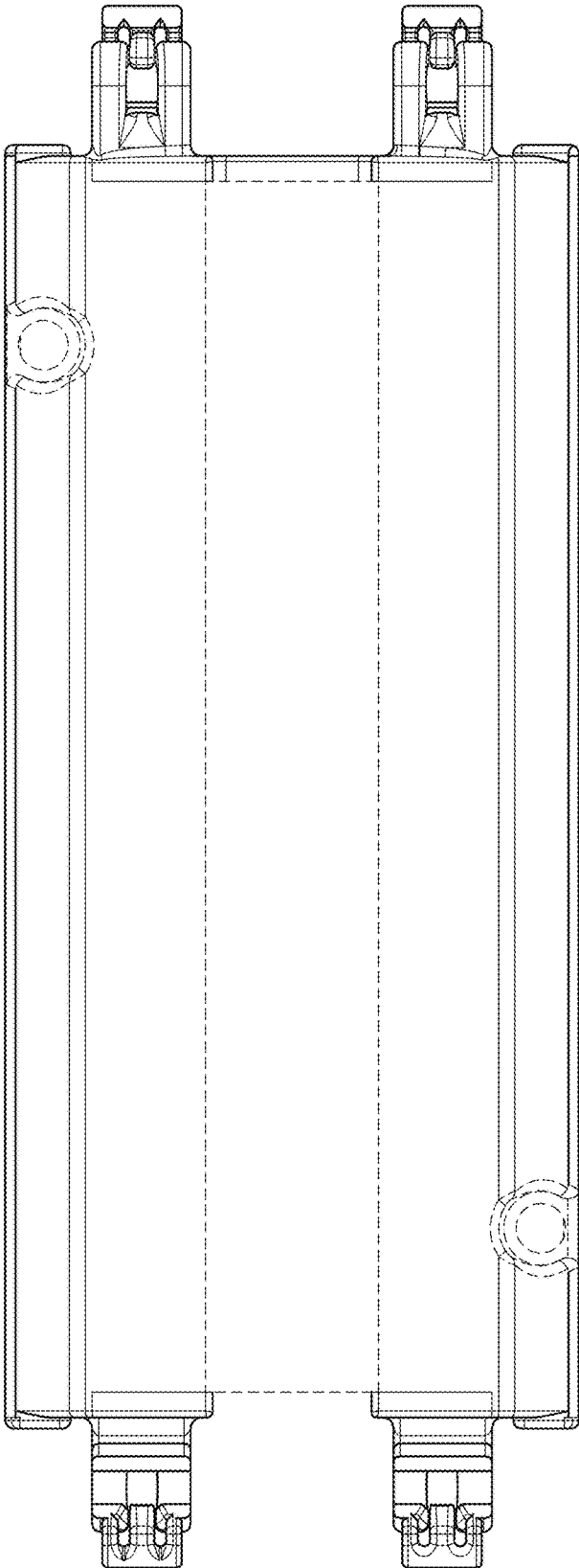


FIG. 6

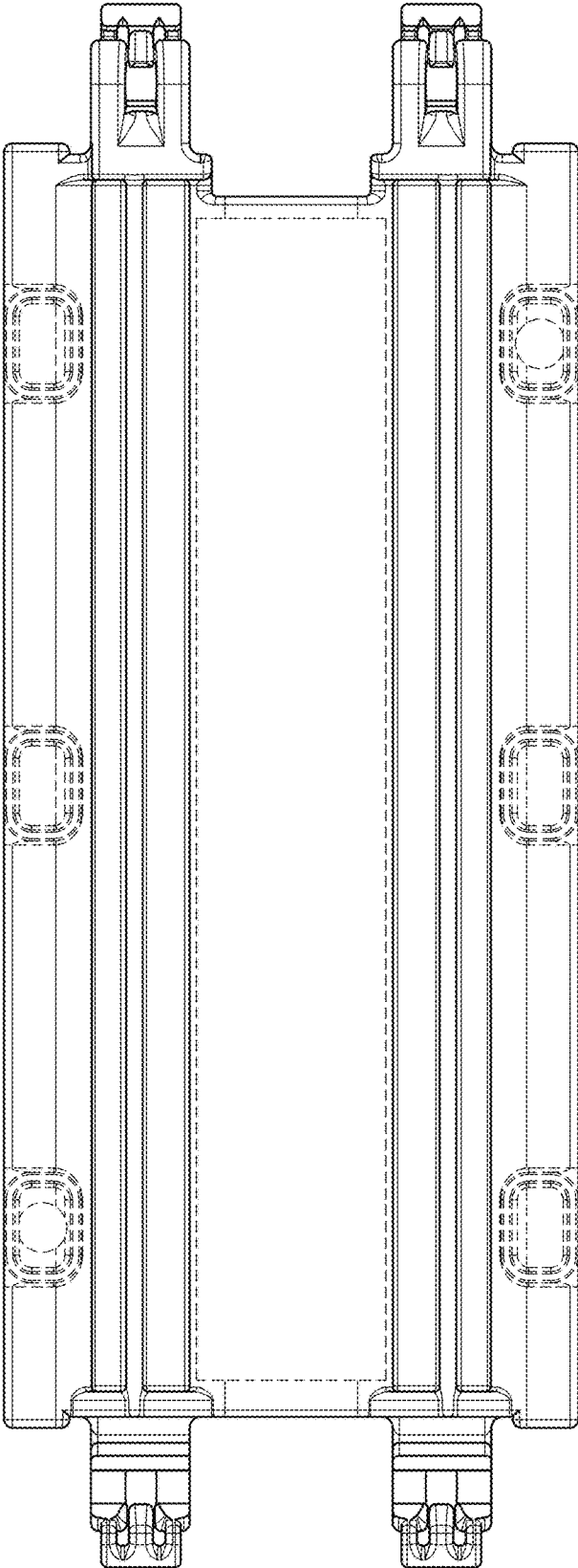


FIG. 7

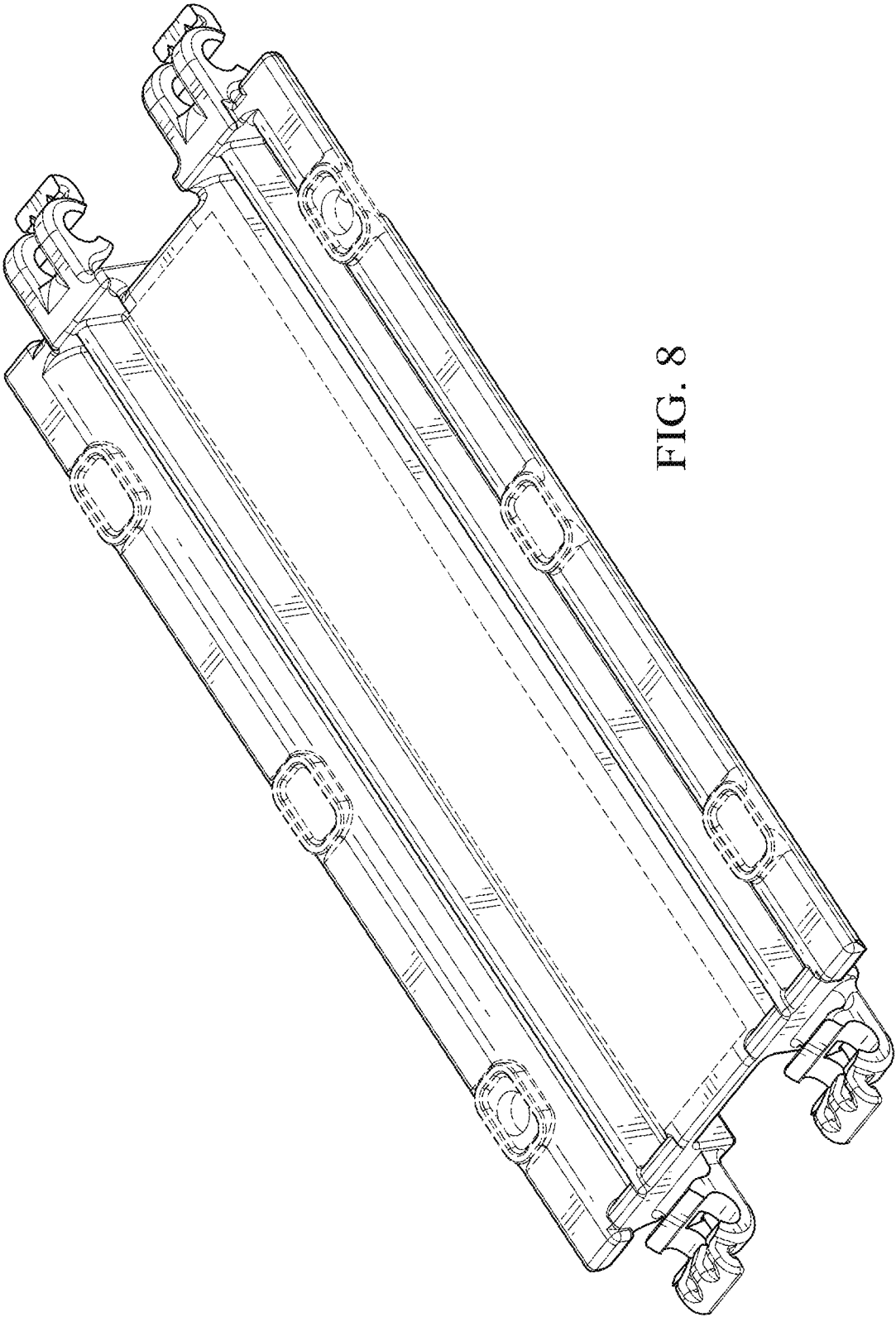


FIG. 8