

(19) World Intellectual Property Organization
International Bureau



(43) International Publication Date
3 April 2008 (03.04.2008)

PCT

(10) International Publication Number
WO 2008/038184 A3

- (51) International Patent Classification:
A61B 8/00 (2006.01) A61B 19/00 (2006.01)
- (21) International Application Number:
PCT/IB2007/053773
- (22) International Filing Date:
18 September 2007 (18.09.2007)
- (25) Filing Language: English
- (26) Publication Language: English
- (30) Priority Data:
60/826,797 25 September 2006 (25.09.2006) US
- (71) Applicant (for all designated States except US): KONINKLIJKE PHILIPS ELECTRONICS N.V. [NL/NL]; Groenewoudseweg 1, NL-5621 BA Eindhoven (NL).
- (72) Inventor; and
- (75) Inventor/Applicant (for US only): ROUNDHILL, David N. [GB/US]; 345 Scarborough Road, Briarcliff Manor, New York 10510-8001 (US).
- (74) Common Representative: KONINKLIJKE PHILIPS ELECTRONICS N.V.; c/o Todd Holmbo, P.O. Box 3001, Briarcliff Manor, New York 10510-8001 (US).
- (81) Designated States (unless otherwise indicated, for every kind of national protection available): AE, AG, AL, AM,

AT, AU, AZ, BA, BB, BG, BH, BR, BW, BY, BZ, CA, CH, CN, CO, CR, CU, CZ, DE, DK, DM, DO, DZ, EC, EE, EG, ES, FI, GB, GD, GE, GH, GM, GT, HN, HR, HU, ID, IL, IN, IS, JP, KE, KG, KM, KN, KP, KR, KZ, LA, LC, LK, LR, LS, LT, LU, LY, MA, MD, ME, MG, MK, MN, MW, MX, MY, MZ, NA, NG, NI, NO, NZ, OM, PG, PH, PL, PT, RO, RS, RU, SC, SD, SE, SG, SK, SL, SM, SV, SY, TJ, TM, TN, TR, TT, TZ, UA, UG, US, UZ, VC, VN, ZA, ZM, ZW.

(84) Designated States (unless otherwise indicated, for every kind of regional protection available): ARIPO (BW, GH, GM, KE, LS, MW, MZ, NA, SD, SL, SZ, TZ, UG, ZM, ZW), Eurasian (AM, AZ, BY, KG, KZ, MD, RU, TJ, TM), European (AT, BE, BG, CH, CY, CZ, DE, DK, EE, ES, FI, FR, GB, GR, HU, IE, IS, IT, LT, LU, LV, MC, MT, NL, PL, PT, RO, SE, SI, SK, TR), OAPI (BF, BJ, CF, CG, CI, CM, GA, GN, GQ, GW, ML, MR, NE, SN, TD, TG).

Declarations under Rule 4.17:

- as to applicant's entitlement to apply for and be granted a patent (Rule 4.17(ii))
- as to the applicant's entitlement to claim the priority of the earlier application (Rule 4.17(iii))

Published:

- with international search report

[Continued on next page]

(54) Title: HAPTIC FEEDBACK MEDICAL SCANNING METHODS AND SYSTEMS

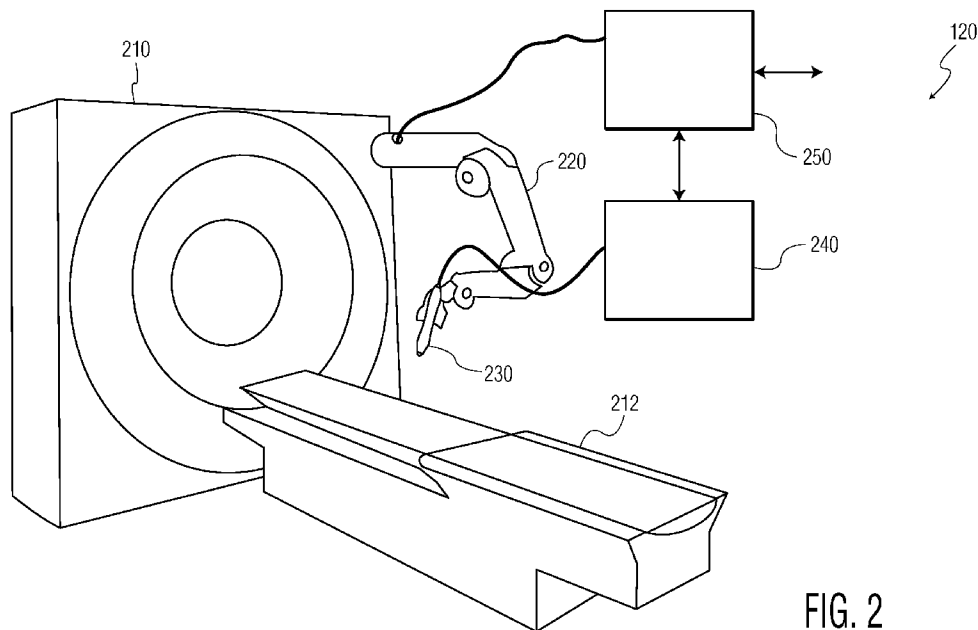


FIG. 2

(57) Abstract: Devices for use in medical imaging can include a robotic arm (220) having multiple degrees-of-freedom movement capability, a scanning transducer (230) coupled in proximity to an end of the robotic arm, and a haptic interface (250) having one or more mechanical linkages and being in communication with the robotic arm, and adapted to issue command signals to move the robotic arm in one or more directions or angles and to receive feedback signals from the robotic arm.

WO 2008/038184 A3



— *before the expiration of the time limit for amending the claims and to be republished in the event of receipt of amendments*

(88) Date of publication of the international search report:
4 June 2009

INTERNATIONAL SEARCH REPORT

International application No
PCT/IB2007/053773

A. CLASSIFICATION OF SUBJECT MATTER
INV. A61B8/00 A61B19/00

According to International Patent Classification (IPC) or to both national classification and IPC

B. FIELDS SEARCHED

Minimum documentation searched (classification system followed by classification symbols)
A61B

Documentation searched other than minimum documentation to the extent that such documents are included in the fields searched

Electronic data base consulted during the international search (name of data base and, where practical, search terms used)

EPO-Internal, WPI Data

C. DOCUMENTS CONSIDERED TO BE RELEVANT

Category*	Citation of document, with indication, where appropriate, of the relevant passages	Relevant to claim No.
X	US 6 425 865 B1 (SALCUDEAN SEPTIMIU E [CA] ET AL) 30 July 2002 (2002-07-30)	1-13, 15-18,20
Y	column 6, line 36 - column 9, line 42	14,19
Y	US 2004/116906 A1 (LIPOW KENNETH [US]) 17 June 2004 (2004-06-17) paragraphs [0047] - [0050]	14,19
Y	US 2005/261591 A1 (BOCTOR EMAD [US] ET AL) 24 November 2005 (2005-11-24) paragraphs [0031], [0032] paragraphs [0035], [0036]	1-20
Y	US 6 436 107 B1 (WANG YULUN [US] ET AL) 20 August 2002 (2002-08-20) column 8, line 37 - column 9, line 25 column 10, line 20 - line 46	1-20
	-/--	

Further documents are listed in the continuation of Box C.

See patent family annex.

* Special categories of cited documents :

- *A* document defining the general state of the art which is not considered to be of particular relevance
- *E* earlier document but published on or after the international filing date
- *L* document which may throw doubts on priority claim(s) or which is cited to establish the publication date of another citation or other special reason (as specified)
- *O* document referring to an oral disclosure, use, exhibition or other means
- *P* document published prior to the international filing date but later than the priority date claimed

- *T* later document published after the international filing date or priority date and not in conflict with the application but cited to understand the principle or theory underlying the invention
- *X* document of particular relevance; the claimed invention cannot be considered novel or cannot be considered to involve an inventive step when the document is taken alone
- *Y* document of particular relevance; the claimed invention cannot be considered to involve an inventive step when the document is combined with one or more other such documents, such combination being obvious to a person skilled in the art.
- *&* document member of the same patent family

Date of the actual completion of the international search

8 April 2009

Date of mailing of the international search report

22/04/2009

Name and mailing address of the ISA/

European Patent Office, P.B. 5818 Patentlaan 2
NL - 2280 HV Rijswijk
Tel. (+31-70) 340-2040,
Fax: (+31-70) 340-3016

Authorized officer

Trachterna, Morten

INTERNATIONAL SEARCH REPORT

International application No

PCT/IB2007/053773

C(Continuation). DOCUMENTS CONSIDERED TO BE RELEVANT

Category*	Citation of document, with indication, where appropriate, of the relevant passages	Relevant to claim No.
A	US 2006/074287 A1 (NEUMANN DAVID C [US] ET AL) 6 April 2006 (2006-04-06) paragraphs [0055] - [0057] -----	1-20

INTERNATIONAL SEARCH REPORT

Information on patent family members

International application No

PCT/IB2007/053773

Patent document cited in search report	Publication date	Publication date	Patent family member(s)	Publication date
US 6425865	B1	30-07-2002	NONE	
US 2004116906	A1	17-06-2004	AU 2003300991 A1 CA 2550468 A1 EP 1617750 A2 WO 2004058049 A2	22-07-2004 15-07-2004 25-01-2006 15-07-2004
US 2005261591	A1	24-11-2005	NONE	
US 6436107	B1	20-08-2002	NONE	
US 2006074287	A1	06-04-2006	CN 1872001 A DE 102005046824 A1 FR 2875694 A1 JP 2006102494 A	06-12-2006 06-04-2006 31-03-2006 20-04-2006