



US00D337016S

United States Patent [19]

[11] Patent Number: **Des. 337,016**

Fortescue

[45] Date of Patent: **** Jul. 6, 1993**

[54] **VERTICALLY-MOUNTABLE ORGANIZER**

[76] Inventor: **Ann D. Fortescue**, 7939 Habersham La., Dallas, Tex. 75248

[**] Term: **14 Years**

[21] Appl. No.: **850,055**

[22] Filed: **Mar. 11, 1992**

[52] U.S. Cl. **D6/567; D19/77; D19/78; D19/85; D19/90; D6/573**

[58] Field of Search **D6/553, 567, 512, 569, D6/571, 573; D19/65, 75, 77, 78, 86, 81-85, 90, 91, 99, 100; 211/10, 13, 40-45, 60.1, 71, 74, 75, 86, 87, 88, 69.1-69.9, 90; 206/214, 224, 371**

[56] **References Cited**

U.S. PATENT DOCUMENTS

- D. 162,153 2/1951 Gilfert D19/78
- D. 232,201 7/1974 Hoffman D6/573
- D. 267,808 2/1983 Russo D6/573 X
- D. 297,693 9/1988 Norstedt D6/553

- D. 301,101 5/1989 Meyer D6/567
- D. 307,445 4/1990 Greenhut et al. D19/78
- D. 308,148 5/1990 Meyer D19/78 X
- 2,941,673 6/1960 Lomas 211/90
- 3,945,499 3/1976 Brownson 211/88

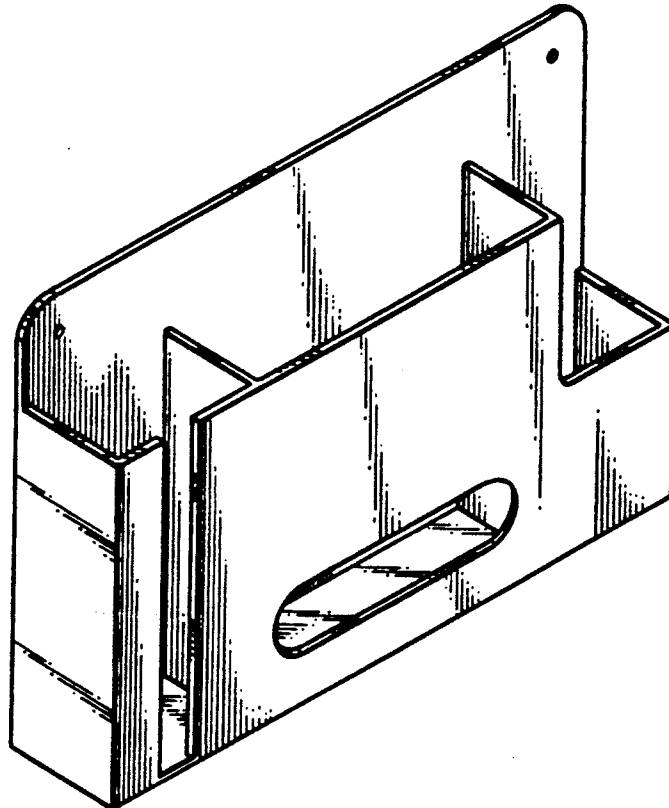
Primary Examiner—Nelson C. Holtje
Assistant Examiner—Martha Thompson
Attorney, Agent, or Firm—Andrew J. Dillon

[57] CLAIM

The ornamental design for a vertically-mountable organizer, as shown and described.

DESCRIPTION

FIG. 1 is a top, left front perspective view of a vertically-mountable organizer showing my new design; FIG. 2 is a top plan view; FIG. 3 is a front elevational view; FIG. 4 is a left side elevational view; FIG. 5 is a right side elevational view; FIG. 6 is a rear elevational view; and, FIG. 7 is a bottom plan view thereof.



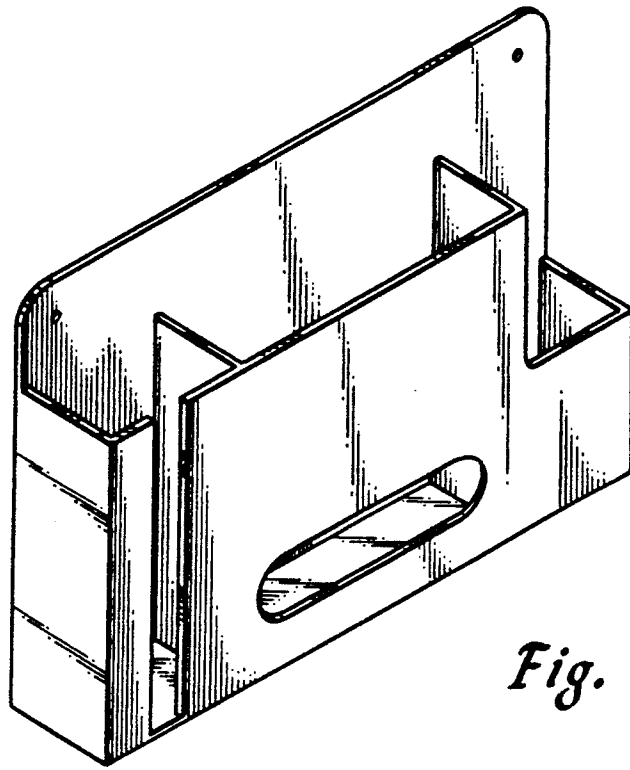


Fig. 1

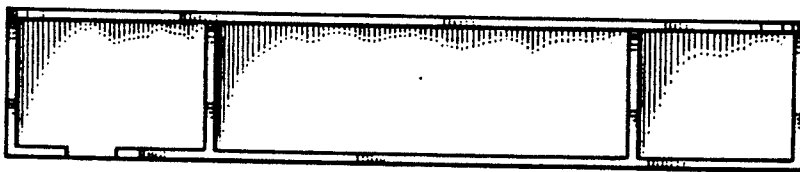


Fig. 2

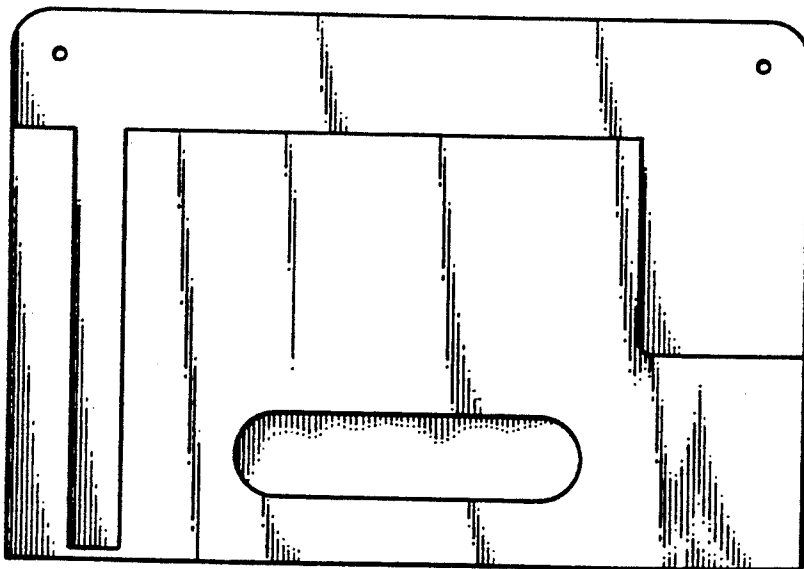


Fig. 3



Fig. 4



Fig. 5

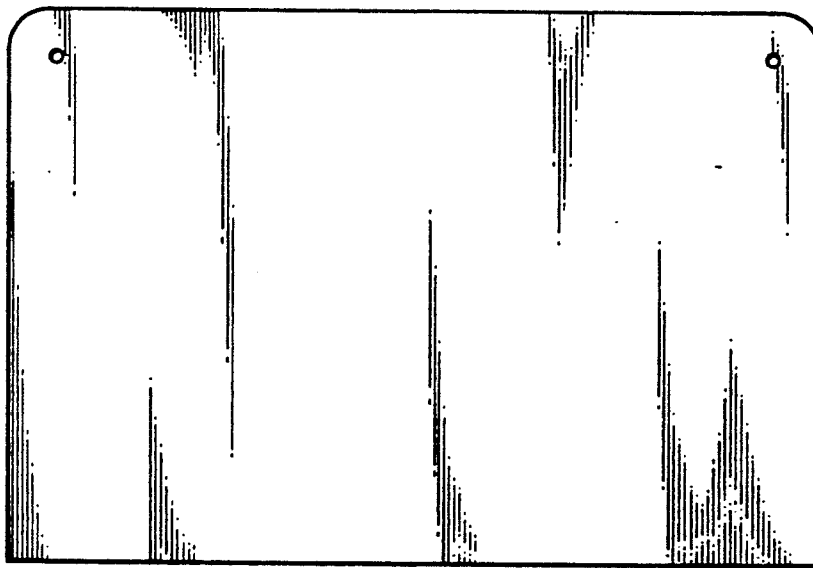


Fig. 6



Fig. 7