



(12) **United States Design Patent**
Wang et al.

(10) **Patent No.:** **US D1,075,656 S**
(45) **Date of Patent:** **** May 20, 2025**

- (54) **CHARGING DOCK**
- (71) Applicant: **Shenzhen Meike Innovation Technology Co., Ltd.**, Shenzhen (CN)
- (72) Inventors: **Qiwu Wang**, Wuhu (CN); **Zhaolin Wu**, Shenzhen (CN); **Zehong Chen**, Shenzhen (CN)

D1,019,652 S *	3/2024	Lu	D14/455
D1,019,653 S *	3/2024	Lu	D14/455
D1,023,929 S *	4/2024	Yang	D21/333
D1,023,938 S *	4/2024	Yu	D13/108
D1,025,890 S *	5/2024	Yu	D21/333
D1,027,848 S *	5/2024	Luo	D13/108

(Continued)

- (**) Term: **15 Years**
- (21) Appl. No.: **29/969,911**

- (22) Filed: **Oct. 24, 2024**
- (51) **LOC (15) Cl.** **13-02**
- (52) **U.S. Cl.**
USPC **D13/108**
- (58) **Field of Classification Search**
USPC D13/107, 108, 118, 119, 144, 184, 199;
D14/433, 434; D21/333
CPC B60L 53/10; B60L 53/16; B60L 53/18;
H02J 7/00; H02J 7/02; H02J 7/025; H02J
7/0013; H02J 7/0042; H02J 7/0044; H02J
7/0045; H02J 50/005; H02J 50/10; H05K
5/02; H05K 5/0217; H05K 5/0247
See application file for complete search history.

(56) **References Cited**

U.S. PATENT DOCUMENTS

D729,157 S	5/2015	Gilomen	
D795,188 S	8/2017	Skurdal	
D804,414 S	12/2017	Tang et al.	
D833,388 S	11/2018	Baxter et al.	
D962,863 S *	9/2022	Tang B60L 53/30 D21/333
D971,138 S *	11/2022	Wu D21/333
D983,738 S *	4/2023	Tang D21/333
D988,992 S	6/2023	Moreira da Silva	
D990,417 S *	6/2023	Wu D13/108
D992,500 S *	7/2023	Watanabe D13/107
D1,008,173 S *	12/2023	Fleming D13/108
D1,018,445 S *	3/2024	Yoder D13/107

OTHER PUBLICATIONS

MaeckerVR, MaeckerVR Convenient Charging Dock for Meta Quest 3, Inventor started the first sale of this product Mar. 31, 2024. Date on Oct. 12, 2024. The link of the sale: <https://maeckervr.com/products/maeckervr-charging-dock-for-meta-quest3>.

(Continued)

Primary Examiner — Christy Nemeth

(57) **CLAIM**

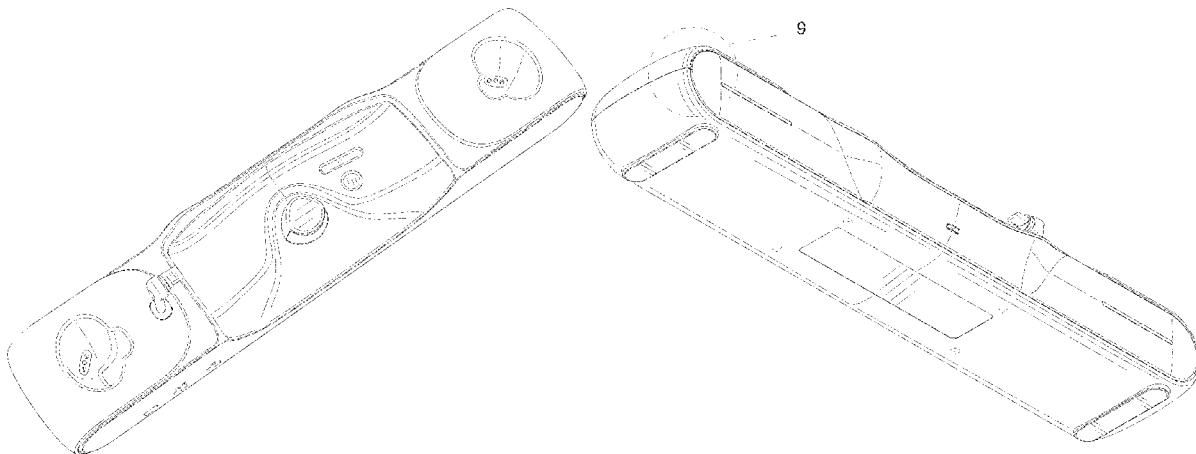
The ornamental design for a charging dock as shown and described.

DESCRIPTION

FIG. 1 is a top perspective view of a charging dock showing our new design;
FIG. 2 is a bottom perspective view thereof;
FIG. 3 is a front view thereof;
FIG. 4 is a rear view thereof;
FIG. 5 is a left view thereof;
FIG. 6 is a right view thereof;
FIG. 7 is a top view thereof;
FIG. 8 is a bottom view thereof; and,
FIG. 9 is an enlarged view of a portion labeled as “9” on FIG. 2.

The dash-dash broken lines in the drawings illustrate portions of the charging dock that form no part of the claimed design. The dot-dash broken lines in the drawings illustrate the boundaries of the portions shown enlarged in the drawings and form no part of the claimed design.

1 Claim, 9 Drawing Sheets



(56)

References Cited

U.S. PATENT DOCUMENTS

D1,032,508 S * 6/2024 Zhu D13/108
D1,036,379 S * 7/2024 Zhang D13/108
D1,038,009 S * 8/2024 Kawase D13/107
D1,043,569 S * 9/2024 Huang D13/108
2020/0091745 A1 * 3/2020 Yang H01M 50/202

OTHER PUBLICATIONS

MaeckerVR, MaeckerVR Convenient Charging Dock for Meta Quest 3, Inventor started the first sale of this product Mar. 31, 2024. Date on Oct. 12, 2024. The link of the sale: <https://shop.tiktok.com/view/product/1729468673036620456?region=US&locale=en>.

Maecker Store, Fast Charging Dock for Meta Quest 3 Accessories Charger for Quest 3 Charging Station Drop-in Charging Headset Controllers Stand with 2 Rechargeable Batteries, Inventor started the first sale of this product Mar. 31, 2024. Date on Oct. 12, 2024. The link of the sale: <https://www.amazon.com/dp/B0D6G2TSHD>.

* cited by examiner

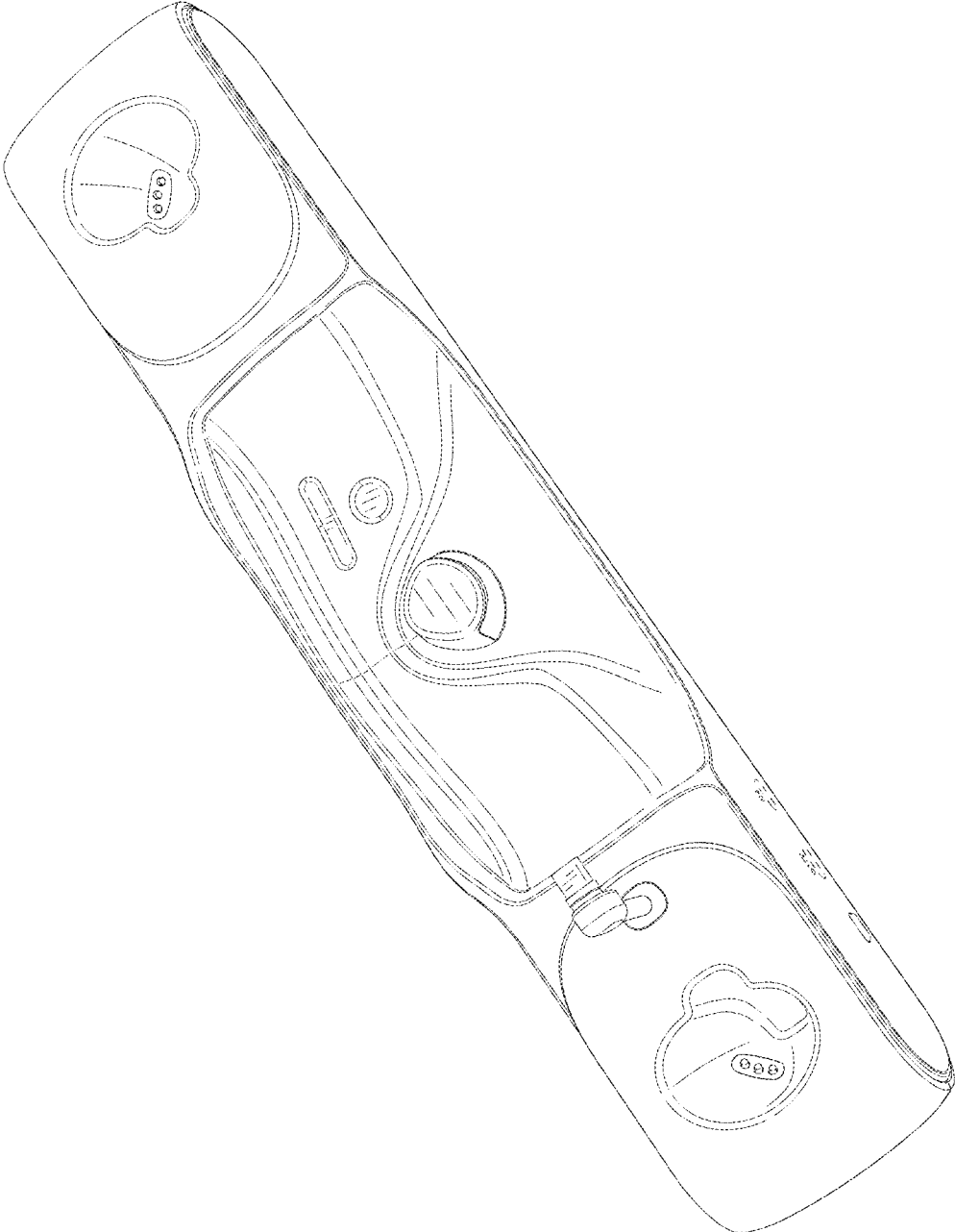


FIG. 1

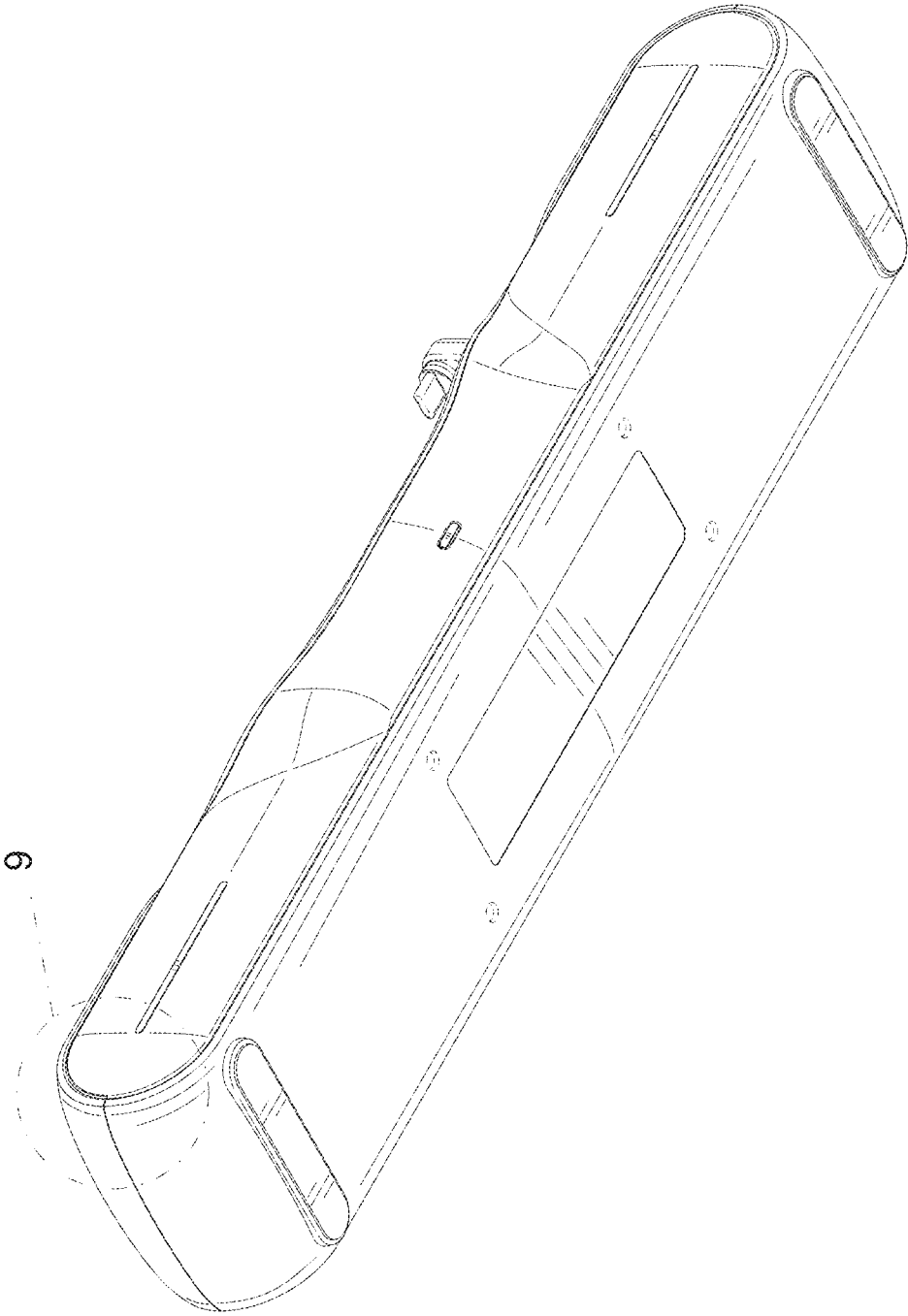


FIG. 2

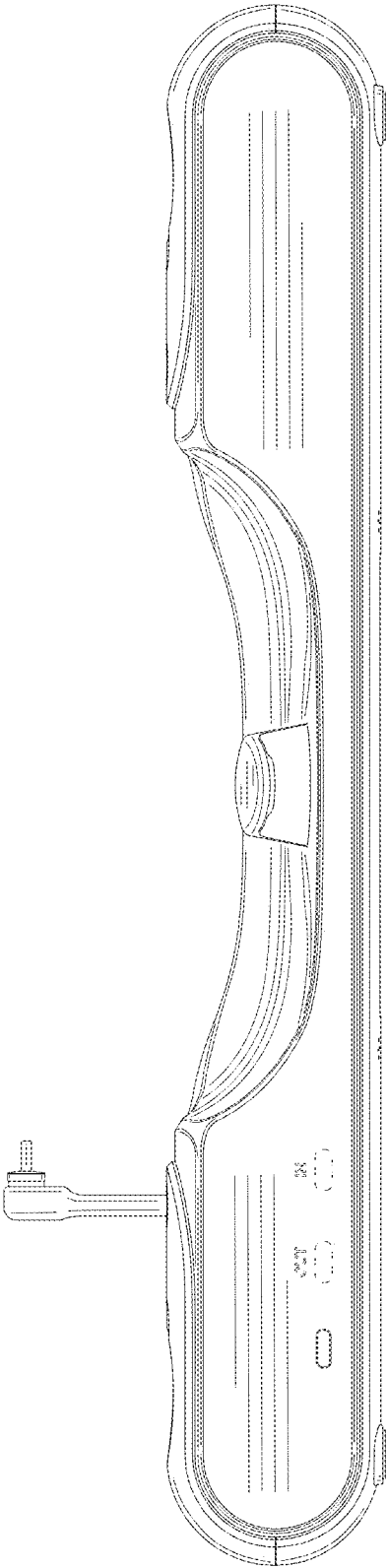


FIG. 3

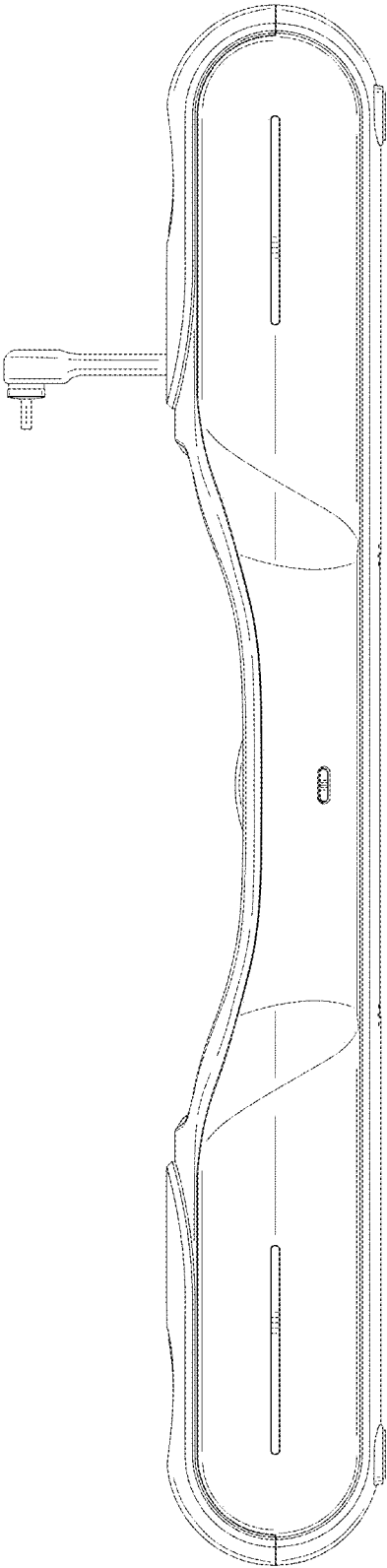


FIG. 4

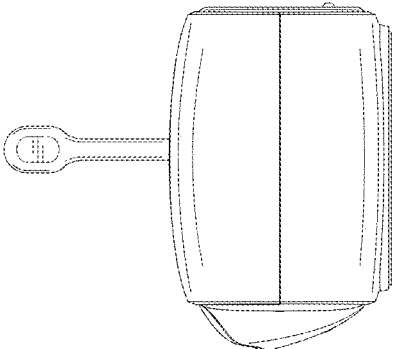


FIG. 5

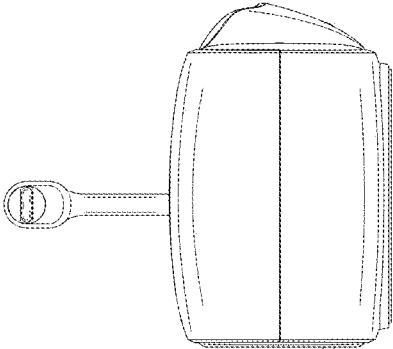


FIG. 6

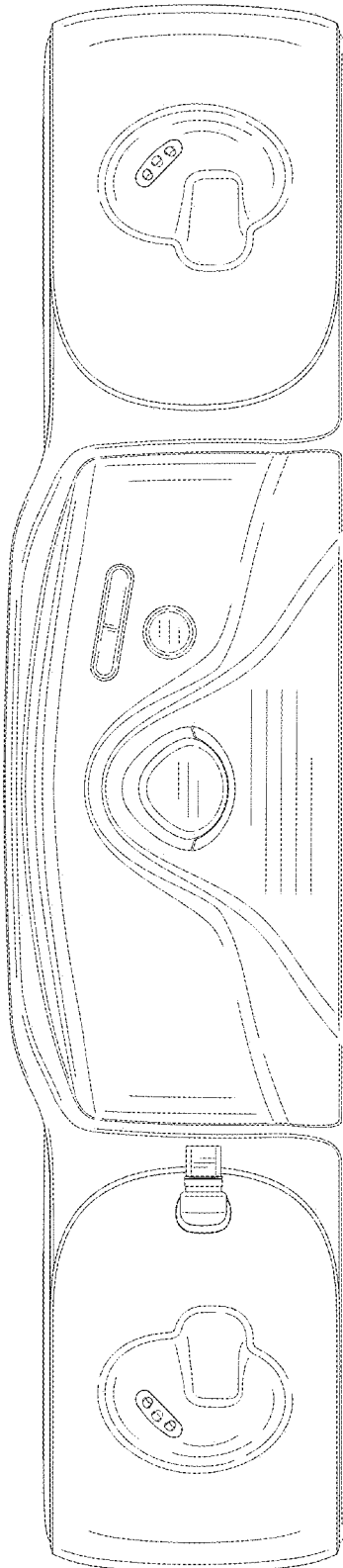


FIG. 7

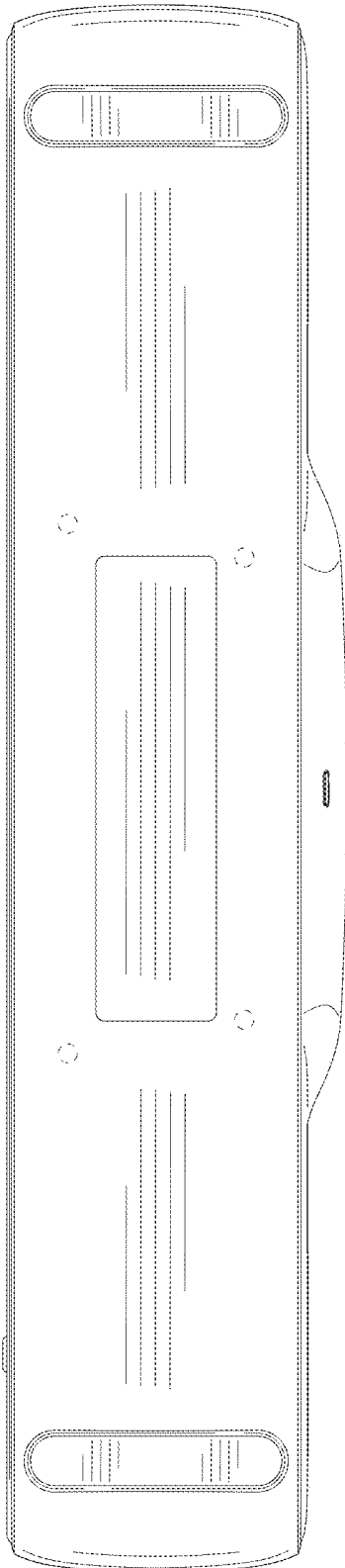


FIG. 8

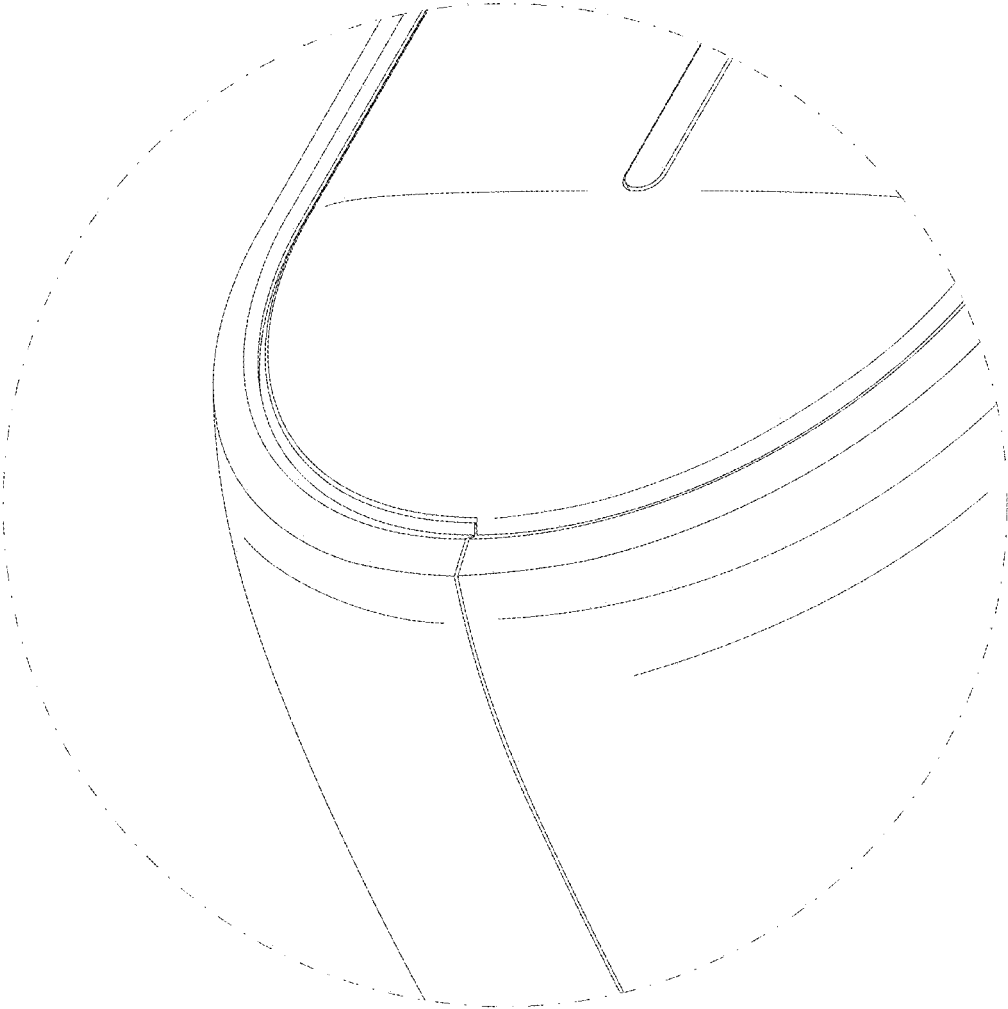


FIG. 9