

(19) World Intellectual Property Organization
International Bureau



(43) International Publication Date
12 July 2007 (12.07.2007)

PCT

(10) International Publication Number
WO 2007/079172 A3

(51) International Patent Classification:
A61B 17/32 (2006.01)

GB, GD, GE, GH, GM, GT, HN, HR, HU, ID, IL, IN, IS, JP, KE, KG, KM, KN, KP, KR, KZ, LA, LC, LK, LR, LS, LT, LU, LV, LY, MA, MD, MG, MK, MN, MW, MX, MY, MZ, NA, NG, NI, NO, NZ, OM, PG, PH, PL, PT, RO, RS, RU, SC, SD, SE, SG, SK, SL, SM, SV, SY, TJ, TM, TN, TR, TT, TZ, UA, UG, US, UZ, VC, VN, ZA, ZM, ZW.

(21) International Application Number:
PCT/US2006/049472

(22) International Filing Date:
29 December 2006 (29.12.2006)

(84) Designated States (unless otherwise indicated, for every kind of regional protection available): ARIPO (BW, GH, GM, KE, LS, MW, MZ, NA, SD, SL, SZ, TZ, UG, ZM, ZW), Eurasian (AM, AZ, BY, KG, KZ, MD, RU, TJ, TM), European (AT, BE, BG, CH, CY, CZ, DE, DK, EE, ES, FI, FR, GB, GR, HU, IE, IS, IT, LT, LU, LV, MC, NL, PL, PT, RO, SE, SI, SK, TR), OAPI (BF, BJ, CF, CG, CI, CM, GA, GN, GQ, GW, ML, MR, NE, SN, TD, TG).

(25) Filing Language: English

(26) Publication Language: English

(30) Priority Data:
11/320,716 30 December 2005 (30.12.2005) US

Published:
— with international search report
— before the expiration of the time limit for amending the claims and to be republished in the event of receipt of amendments

(71) Applicant and
(72) Inventor: PETERSEN, Thomas, D. [US/US]; 9680 Alto Drive, La Mesa, CA 91941 (US).

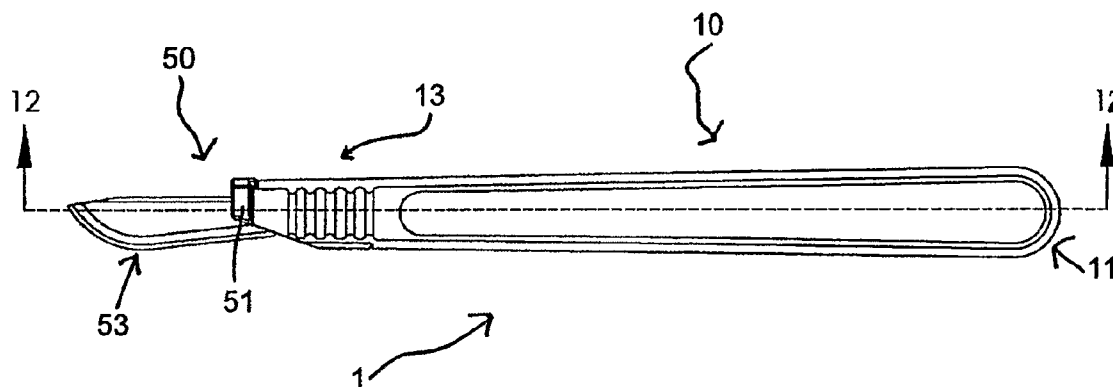
(74) Agent: SPIEGEL, H., Jay; H. JAY SPIEGEL & ASSOCIATES, P.O. Box 11, Mount Vernon, VA 22121 (US).

(88) Date of publication of the international search report:
17 January 2008

(81) Designated States (unless otherwise indicated, for every kind of national protection available): AE, AG, AL, AM, AT, AU, AZ, BA, BB, BG, BR, BW, BY, BZ, CA, CH, CN, CO, CR, CU, CZ, DE, DK, DM, DZ, EC, EE, EG, ES, FI,

For two-letter codes and other abbreviations, refer to the "Guidance Notes on Codes and Abbreviations" appearing at the beginning of each regular issue of the PCT Gazette.

(54) Title: HANDLE WITH REMOVABLE DISPOSABLE SURGICAL BLADE AND BLADE REMOVAL SYSTEM INCLUDING DISPOSAL CONTAINER



(57) Abstract: A surgical blade includes a handle (10) with a recess (15) sized to receive the proximal end of a blade assembly (50). The recess (15) includes a notch (17) as well as opposed facing distal ridges (25, 27) designed to engage elevated surfaces (65, 67) in the blade assembly (50) to maintain the blade assembly (50) and handle (10) assembled. The blade assembly includes a blade portion (53) and a tilting (51) having a protrusion (55) sized to be received in the proximal notch (17) of the recess (15) in the handle (10) when the blade portion (53) is assembled to the handle. The fitting also includes side faces (61, 63) having opposed elevated (65, 67) surfaces obliquely disposed so that they are engaged by the distal ridges (25, 27) within the handle recess.



WO 2007/079172 A3

INTERNATIONAL SEARCH REPORT

International application No.
PCT/US06/49472

A. CLASSIFICATION OF SUBJECT MATTER
IPC(8) - A61B 17/32 (2007.01)
USPC - 606/167
According to International Patent Classification (IPC) or to both national classification and IPC

B. FIELDS SEARCHED

Minimum documentation searched (classification system followed by classification symbols)
IPC(8) - A61B 17/32 (2007.01)
USPC - 606/167

Documentation searched other than minimum documentation to the extent that such documents are included in the fields searched

Electronic data base consulted during the international search (name of data base and, where practicable, search terms used)
PatBase

C. DOCUMENTS CONSIDERED TO BE RELEVANT

Category*	Citation of document, with indication, where appropriate, of the relevant passages	Relevant to claim No.
X	US 6,629,985 B1 (KIEHNE) 07 October 2003 (07.10.2003) entire document	1, 8, 9

Y		2-7, 10-16
Y	US 2004/0158269 A1 (HOLMAN) 12 August 2004 (12.08.2004) entire document	2-6, 11-16
Y	US 2005/0171544 A1 (FALKNER) 04 August 2005 (04.08.2005) entire document	5, 6, 13
Y	US 6,645,216 B2 (MASURY et al) 11 November 2003 (11.11.2003) entire document	7, 14
Y	US 6,708,372 B2 (STEWART) 23 March, 2004 (23.03.2004) entire document	10, 11, 16
Y	US 5,699,908 A (FRYE et al) 23 December 1997 (23.12.1997) entire document	17-22
Y	US 4,270,416 A (THOMPSON) 02 June 1981 (02.06.1981) entire document	17-22

Further documents are listed in the continuation of Box C.

* Special categories of cited documents:

"A" document defining the general state of the art which is not considered to be of particular relevance	"T" later document published after the international filing date or priority date and not in conflict with the application but cited to understand the principle or theory underlying the invention
"E" earlier application or patent but published on or after the international filing date	"X" document of particular relevance; the claimed invention cannot be considered novel or cannot be considered to involve an inventive step when the document is taken alone
"L" document which may throw doubts on priority claim(s) or which is cited to establish the publication date of another citation or other special reason (as specified)	"Y" document of particular relevance; the claimed invention cannot be considered to involve an inventive step when the document is combined with one or more other such documents, such combination being obvious to a person skilled in the art
"O" document referring to an oral disclosure, use, exhibition or other means	"&" document member of the same patent family
"P" document published prior to the international filing date but later than the priority date claimed	

Date of the actual completion of the international search 14 September 2007	Date of mailing of the international search report 8 NOV 2007
--	--

Name and mailing address of the ISA/US Mail Stop PCT, Attn: ISA/US, Commissioner for Patents P.O. Box 1450, Alexandria, Virginia 22313-1450 Facsimile No. 571-273-3201	Authorized officer: Blaine R. Copenheaver PCT Helpdesk: 571-272-4300 PCT OSP: 571-272-7774
---	---