



US00D717065S

(12) **United States Design Patent**
James

(10) **Patent No.:** **US D717,065 S**

(45) **Date of Patent:** **** Nov. 11, 2014**

- (54) **BED**
- (71) Applicant: **Standard Furniture Manufacturing Co., Inc.**, Bay Minette, AL (US)
- (72) Inventor: **Gary W James**, Dove Canyon, CA (US)
- (73) Assignee: **Standard Furniture Manufacturing Co., Inc.**, Bay Minette, AL (US)
- (**) Term: **14 Years**

D524,074 S * 7/2006 Mohundro D6/393
 D542,050 S * 5/2007 Domack et al. D6/393
 D662,724 S * 7/2012 Kempainen D6/393

* cited by examiner

Primary Examiner — Janice Seeger

(57) **CLAIM**

I claim the ornamental design for a bed, as shown and described.

DESCRIPTION

FIG. 1 is a perspective view of a bed illustrating the claimed design and with a mattress shown thereon in phantom line; FIG. 2 is a perspective view of the design of the bed shown in FIG. 1 with the mattress removed; FIG. 3 is a front side view of the design of the bed shown in FIG. 1; FIG. 4 is a back side view of the design of the bed shown in FIG. 1; FIG. 5 is a right side view of the design of the bed shown in FIG. 1; FIG. 6 is a left side view of the design of the bed shown in FIG. 1; and, FIG. 7 is a top view of the design of the bed shown in FIG. 1. The bottom of the bed, not shown, forms no part of the claimed design.

The broken lines in the drawings are for illustrative purposes only and form no part of the claimed design.

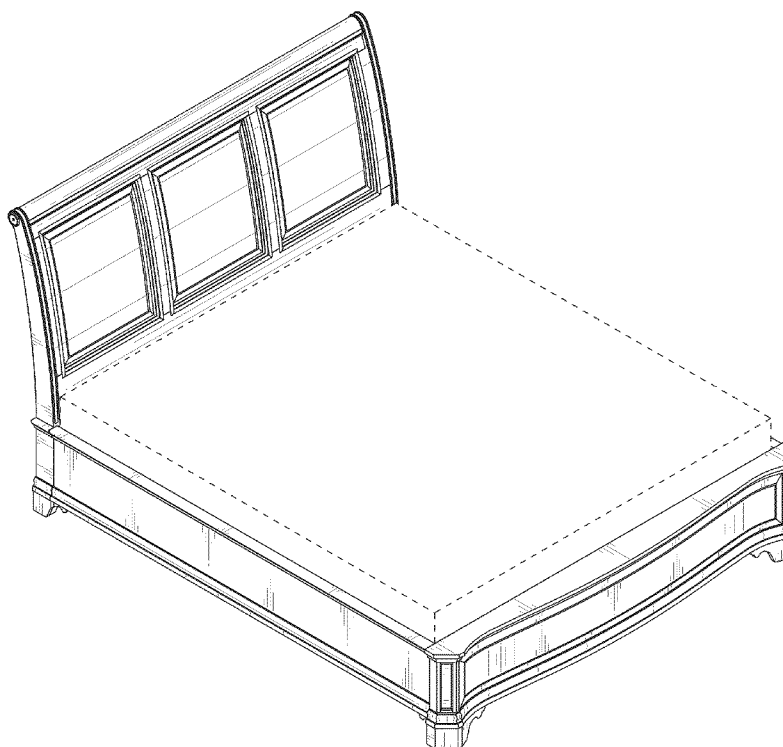
1 Claim, 7 Drawing Sheets

- (21) Appl. No.: **29/464,159**
- (22) Filed: **Aug. 13, 2013**
- (51) **LOC (10) Cl.** **06-02**
- (52) **U.S. Cl.**
USPC **D6/393**
- (58) **Field of Classification Search**
USPC D6/382, 383, 384, 389, 393, 394, 718,
D6/718.13, 718.14, 718.19, 718.2, 718.24,
D6/718.22; 5/53.1, 279.1, 280, 281, 2.1
See application file for complete search history.

(56) **References Cited**

U.S. PATENT DOCUMENTS

D503,295 S * 3/2005 O'Hare D6/393
 D512,244 S * 12/2005 Prillaman et al. D6/393
 D514,843 S * 2/2006 Vaaler D6/393
 D516,339 S * 3/2006 Mohundro D6/393



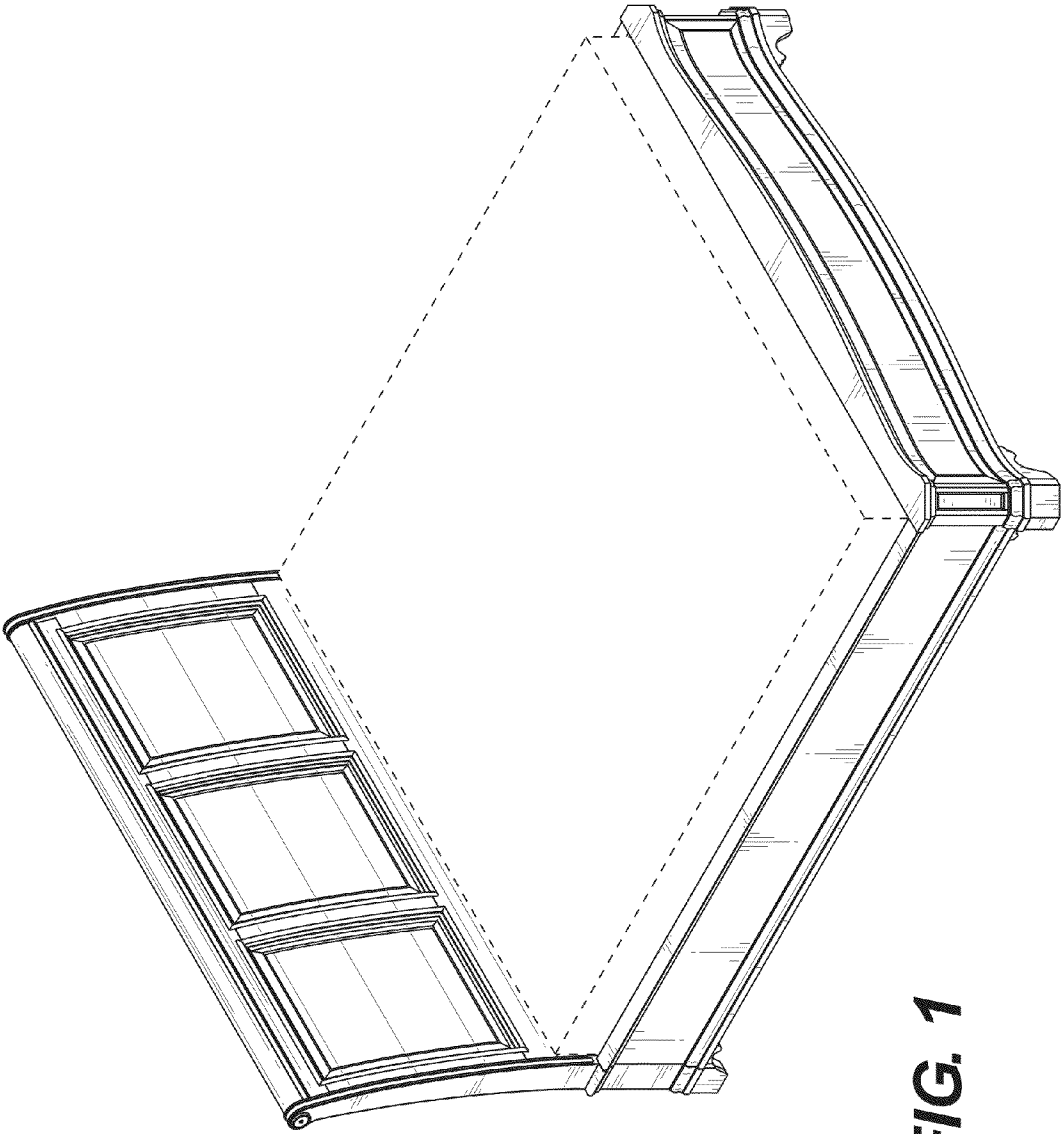


FIG. 1

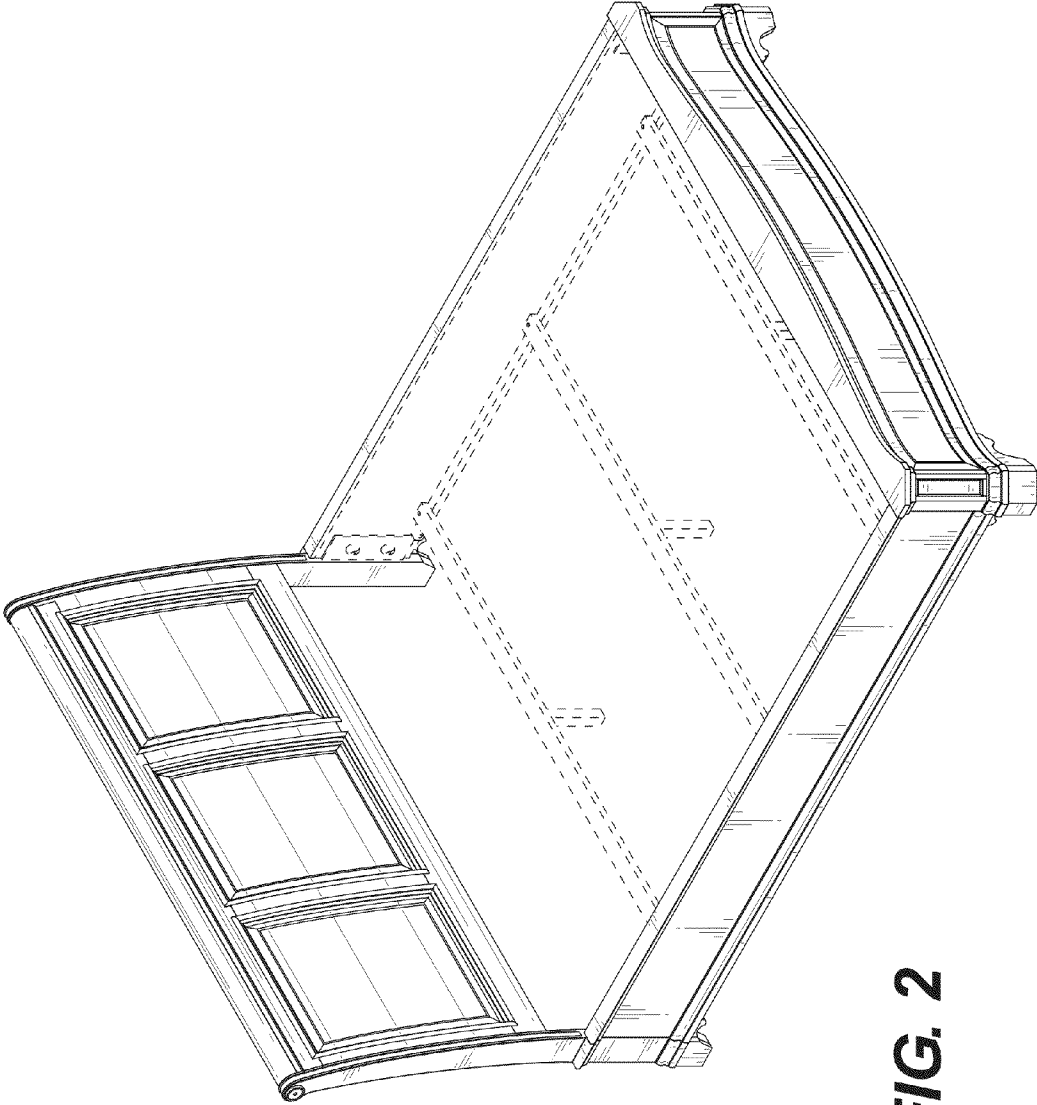


FIG. 2

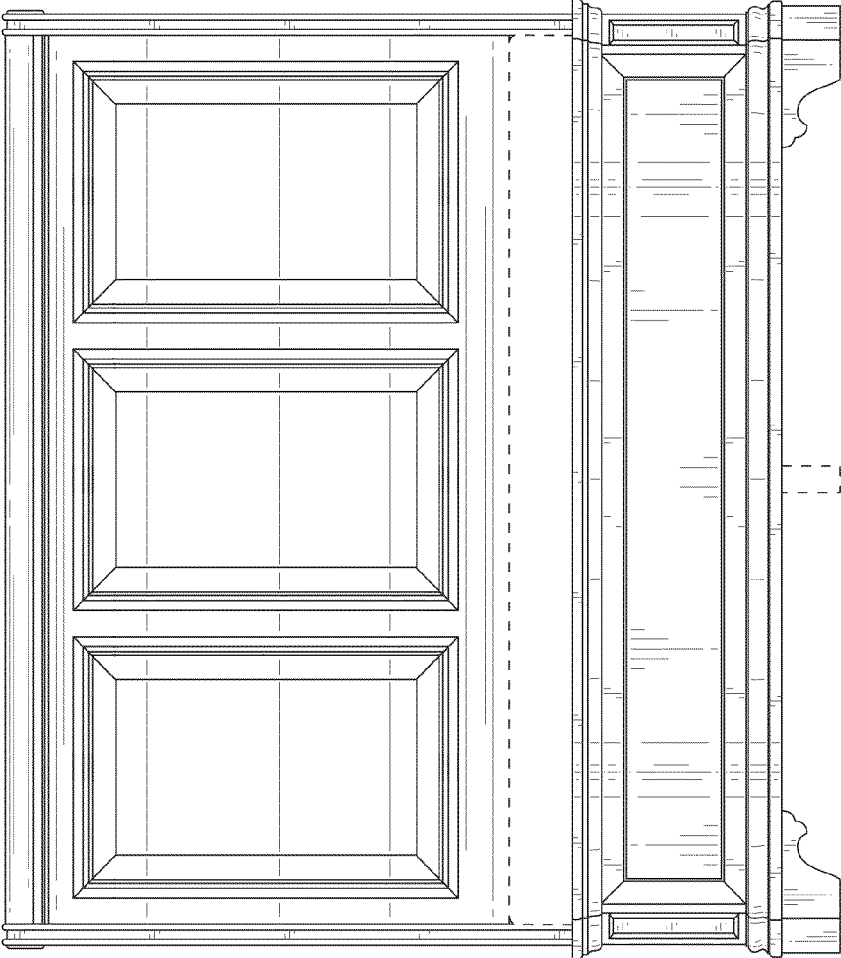


FIG. 3

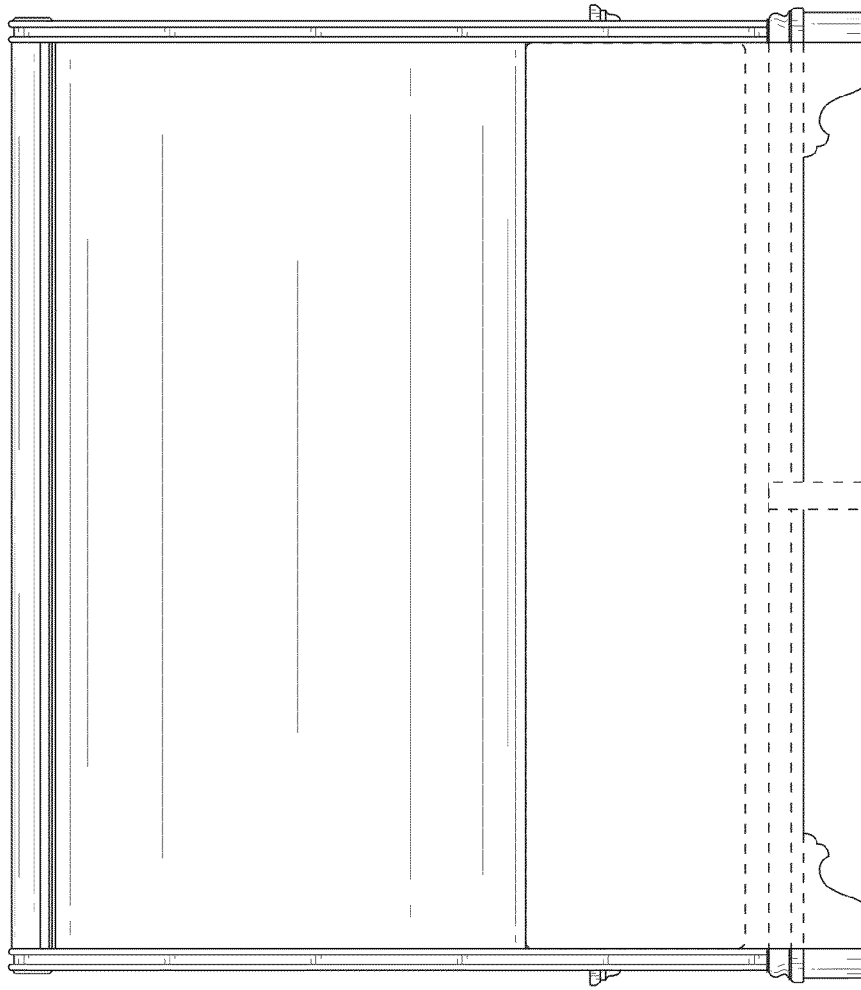


FIG. 4

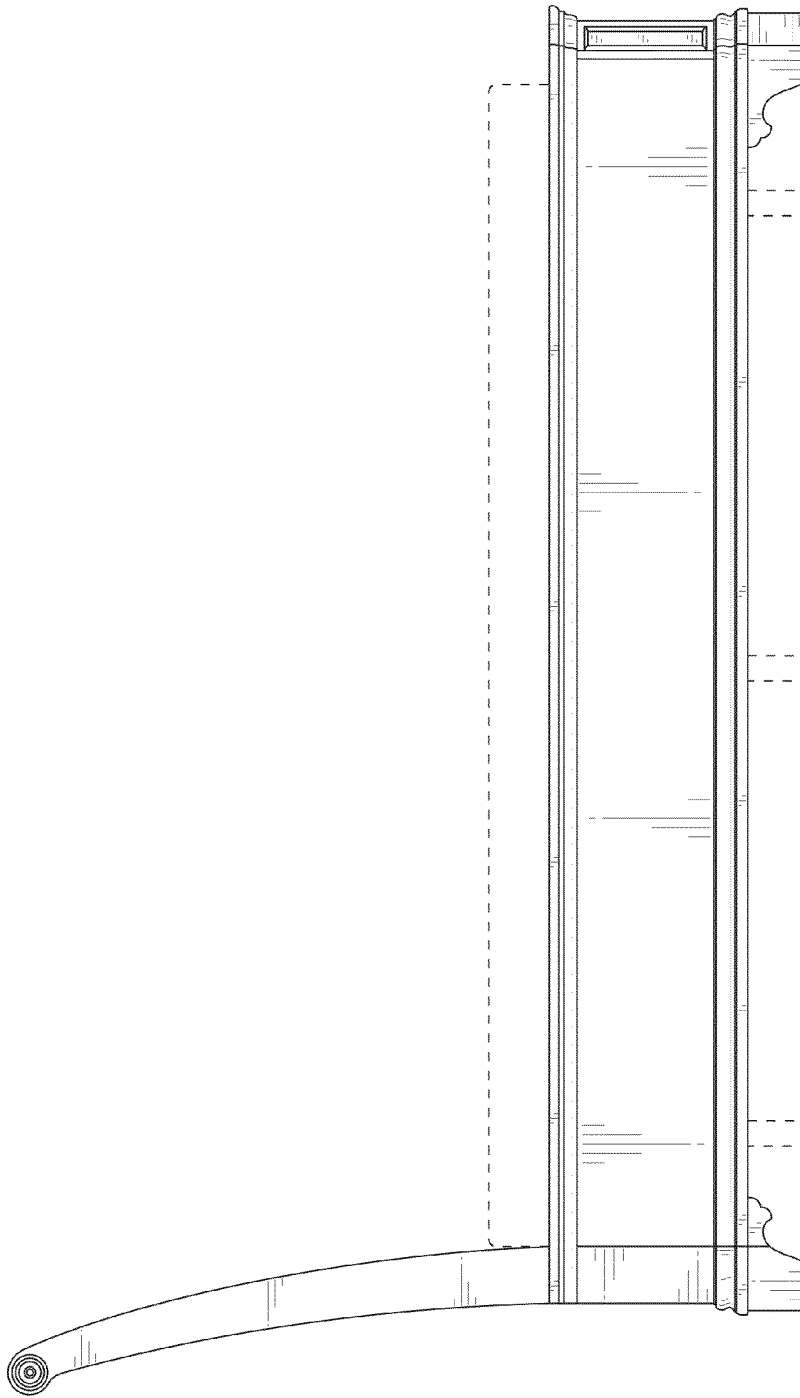


FIG. 5

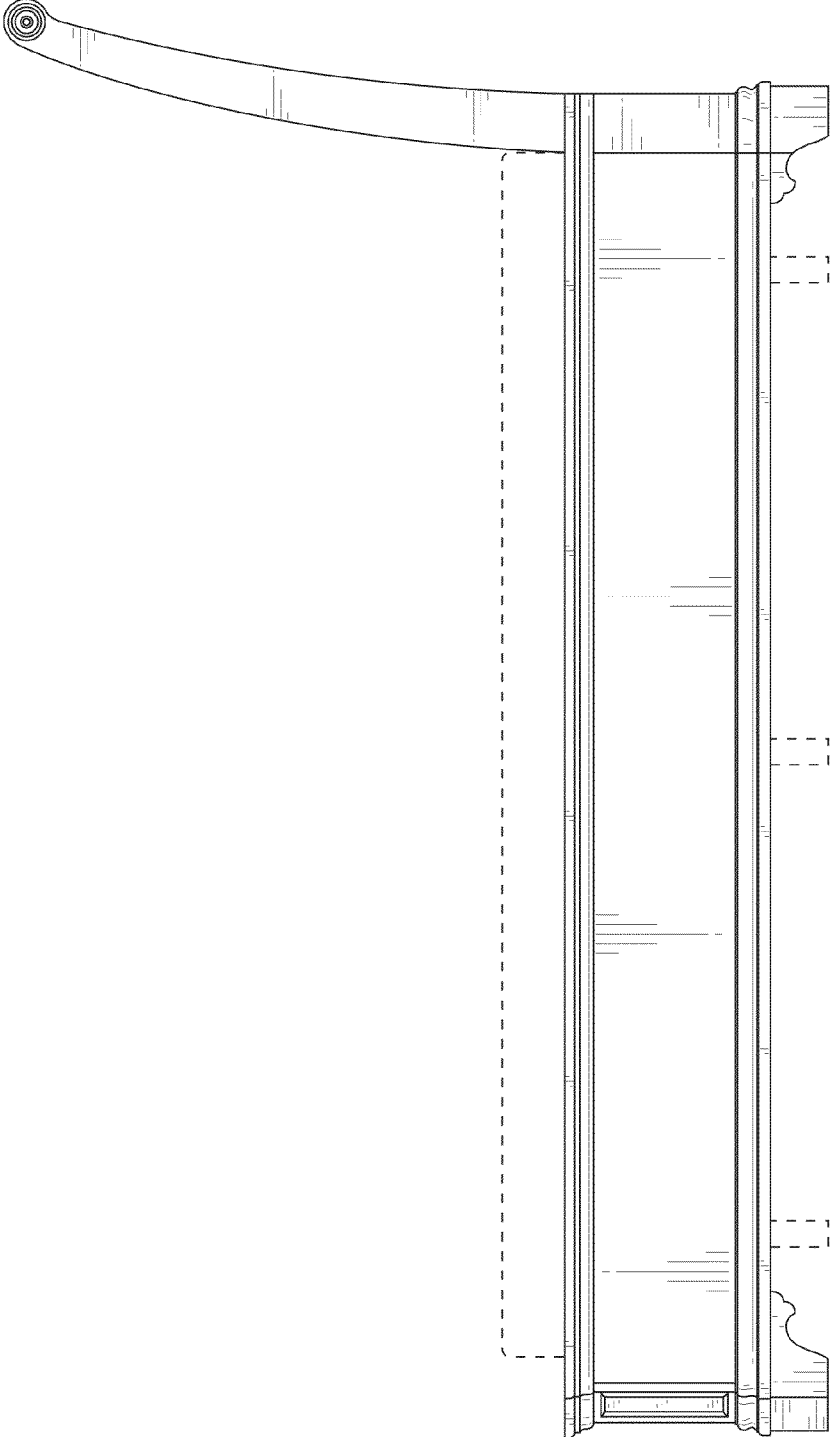


FIG. 6

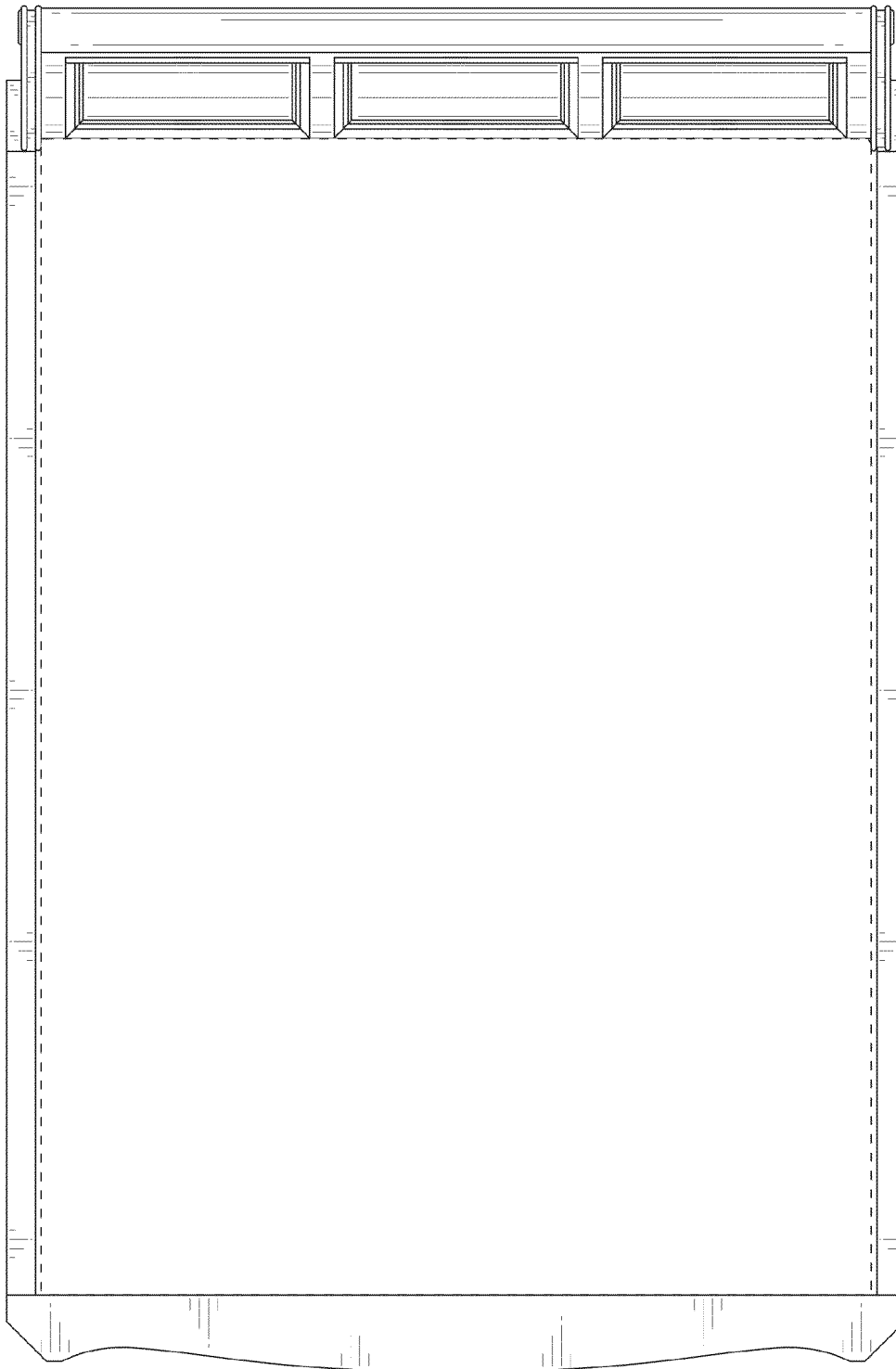


FIG. 7