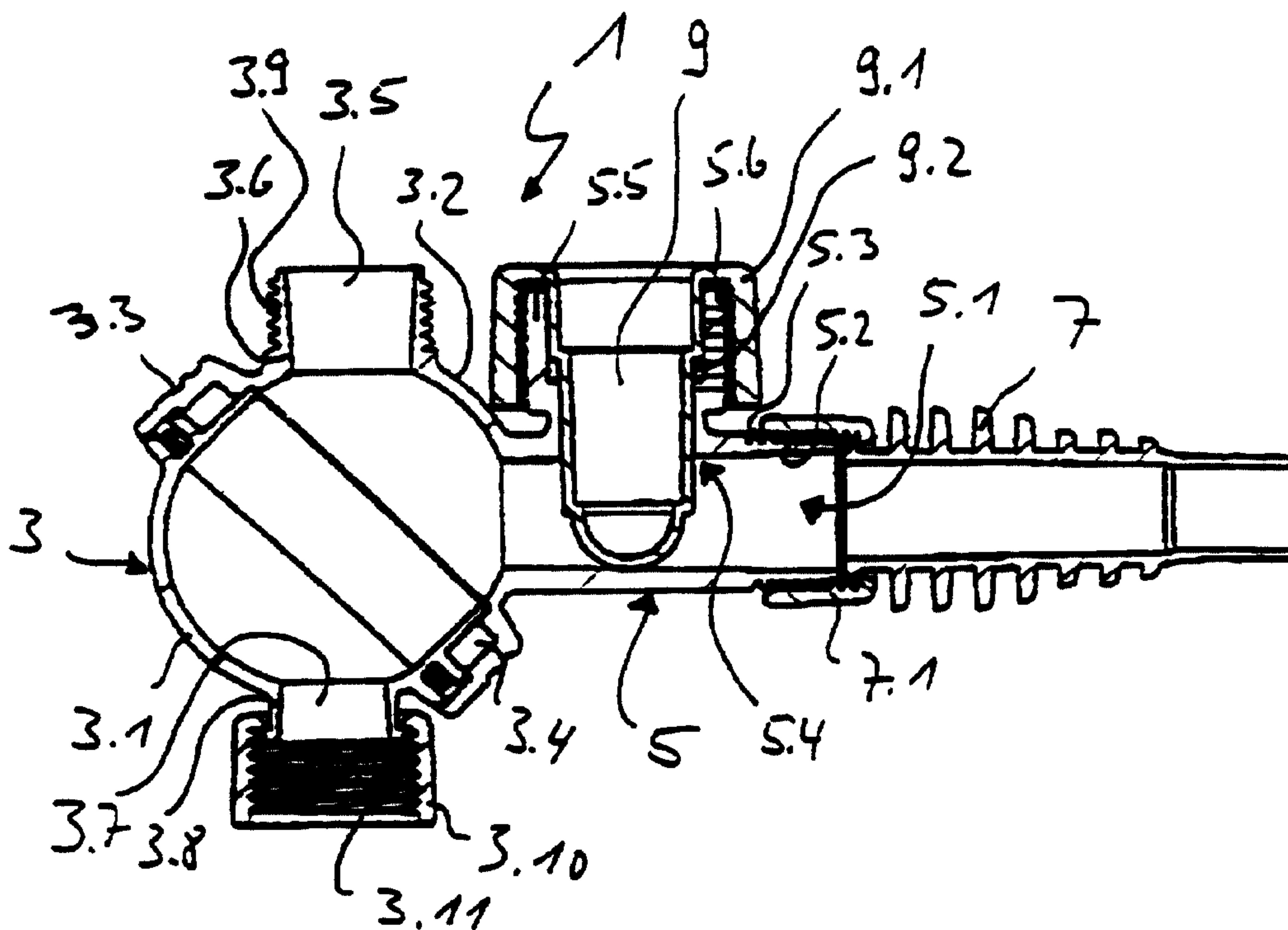




(86) Date de dépôt PCT/PCT Filing Date: 2000/08/31
 (87) Date publication PCT/PCT Publication Date: 2001/03/15
 (85) Entrée phase nationale/National Entry: 2002/03/01
 (86) N° demande PCT/PCT Application No.: DE 2000/002963
 (87) N° publication PCT/PCT Publication No.: 2001/018441
 (30) Priorité/Priority: 1999/09/03 (199 42 189.7) DE

(51) Cl.Int.⁷/Int.Cl.⁷ F16L 27/08, E03B 7/07, F04B 53/16,
F16L 41/03
 (71) Demandeur/Applicant:
OASE WUBKER GMBH & CO. KG., DE
 (72) Inventeur/Inventor:
HOFFMEIER, DIETER, DE
 (74) Agent: FETHERSTONHAUGH & CO.

(54) Titre : RACCORD DE TUYAU DE REFOULEMENT POUR POMPE
 (54) Title: PRESSURE JOINT FOR A PUMP



(57) Abrégé/Abstract:

The invention relates to a pressure joint (1) for pumps with a pump connection (3.8) and a first discharge connection (5.5) comprising a second discharge connection which can be throttled to produce a jet which is connected to the first discharge connection (5.5) on a first joint element (3.2) and which has a pump connection (3.8) which can be moved at an angle relative to a second joint element (3.1).

ABSTRACT

The invention relates to a pressure joint for pumps with a pump connection and a first discharge connection comprising a second discharge connection which can be throttled to produce a jet which is connected to the first discharge connection on a first joint element and which has a pump connection which can be moved at an angle relative to a second joint element.

PRESSURE JOINT FOR A PUMP

5 The present invention relates to a pressure joint for a pump, according to the preamble of claim 1.

10 One type of pressure joint is known from US Patent No. 5,617,999 and provides a fitting for a pump connector and an output for connection to a hose or pipe, through which the pumped fluid, e.g. pond water, can flow to a filter. Such a pressure joint is regularly used in order to transport for example, pond water, through a filter.

15 FR 902 066 discloses a fitting assembly including a first and second joints that may be angularly adjusted relative to each other. One outlet fitting is formed in one of the joints.

A disadvantage of these known pressure joints is that different joints must be used for interconnection to a filter or a fountain or jet.

20 It is therefore an object of the present invention to provide a pressure joint that may function as connectors for both filters and fountains.

25 The object is solved according to the characterizing portion of claim 1.

As a result of the present invention it is possible to use one and the same pressure joint in two different applications, even at the same time, as a portion of pumped pond water is used in a fountain or jet while the rest is pumped through a filter.

5

An embodiment of the invention is more particularly described with reference to the drawings.

Fig. 1 a schematic cross-section of an exemplary pressure joint in an operating state for pumping;

10

Fig. 2 a upside down view of the pressure joint of Fig. 1, in perspective.

15

Fig. 1 illustrates a pressure joint 1 exemplary of invention 1 in cross-section. Pressure joint 1 includes a swivel joint 3 and a joining portion 5.

20

Swivel joint 3 includes a first linking element 3.1 formed as a lower half shell and a second linking element 3.2 formed as an upper half shell, which are connected for relative rotation in a plane by 360 by connecting area 3.3. Connecting area 3.3 includes a space 3.4 that provides for a seal, (e.g. washer). If a seal is used, pressure joint 1 may also be used for a dry arrangement.

Such swiveling connections are general well known and are therefore not further described.

Upper half shell 3.2 of the swivel joint 3 includes first opening 3.5 having a first fitting 3.6 providing a first output, e.g. to a filter. Lower half shell 3.1 includes a second opening 3.7 with a second fitting 3.8 for connection with a pump (not shown).

5

The lengthwise extending axes of fittings 3.6 and 3.8 subtend an angle smaller than 90 with the plane of rotation of swivel joint 3, and preferably subtend an angle of approximately 45. The axes are thus arranged symmetrically about an axis normal to the plane of rotation. In the example embodiment the longitudinal axes of the connecting pieces 3.6 and 3.8 lie in a common vertical plane.

10

Fittings 3.6 and 3.8 preferably include an outer thread 3.9, so that a complementary cap 3.10 or a similar component having a complementary inner thread 3.11 can be screwed on. In addition, all other well-known screw and plug fitting systems may be used as fittings 3.6 and 3.8.

15

Joining portion 5 extends from upper half shell 3.2 of the swivel joint 3 (i.e. on the same half shell 3.2 as fitting 3.6) and includes an opening 5.1 with a fitting 5.2 for a second output, for example to a fountain spout. In the example embodiment, fitting 5.2 includes an outer thread 5.3, so that for example, a hose connector 7 with a female fitting 7.1 can be interconnected.

20

Joining portion 5 includes a further opening 5.4 having a fitting 5.5. The longitudinal axis of fitting 5.5 is preferably in the same vertical plane as the longitudinal axis of fitting 3.6 of upper half shell 3.

5 Fitting 5.5 includes an outer thread 5.6. A throttle organ 9 with an outer surface complementary to the an inner surface of fitting 5.5 and with a fitting 9.1 having an inner thread complementary to outer thread 5.6 may be screwed into connecting portion 5 through fitting 5.5 and opening 5.4. Thus a flow path in the joining portion 5 can be restricted or enlarged. This affects the pressure in the pumping water, and according
10 affects discharge characteristics characteristic (forming a jet, or fountain). A seal 9.2 between throttle organ 9 and the fitting 5.5 ensures a tight connection.

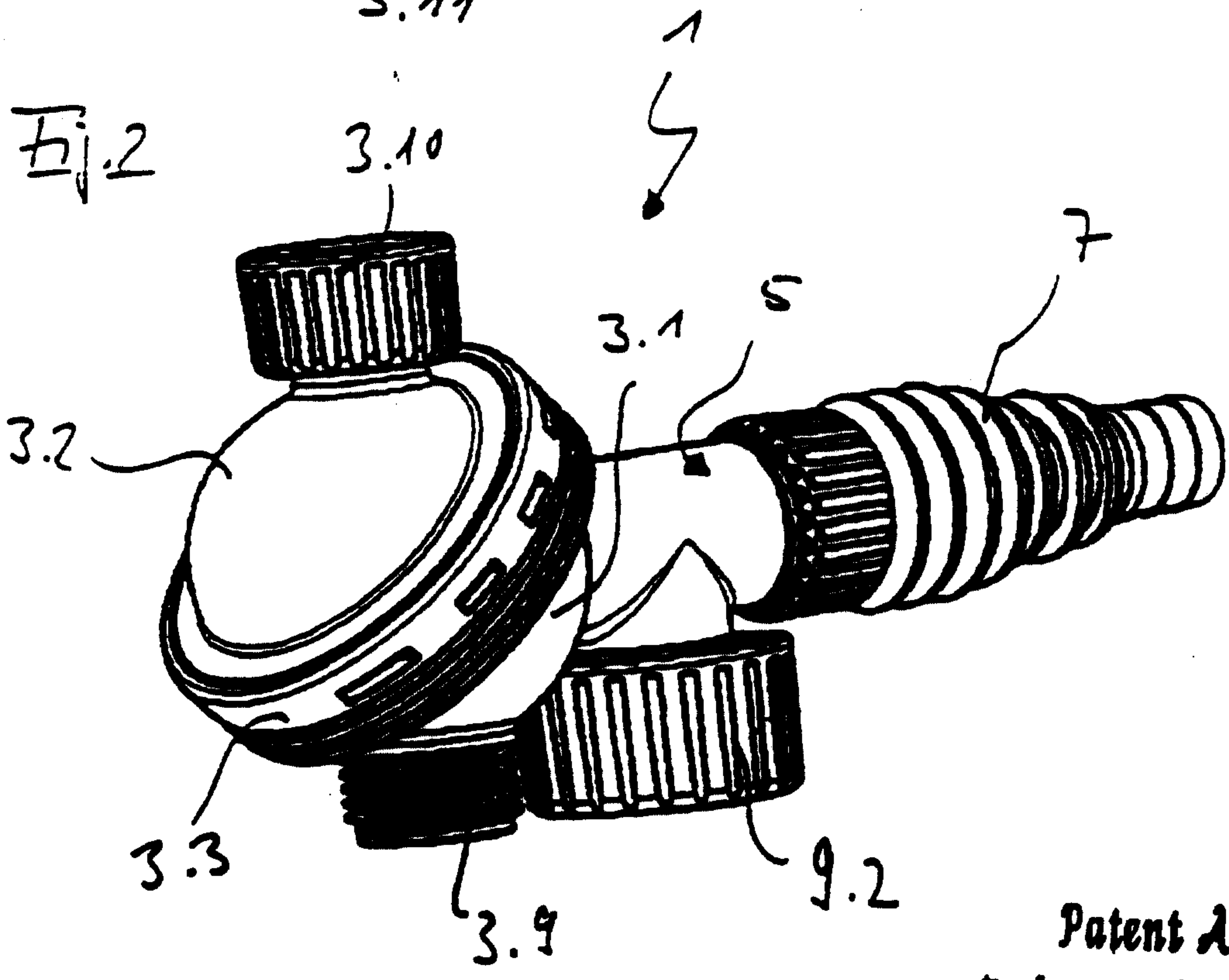
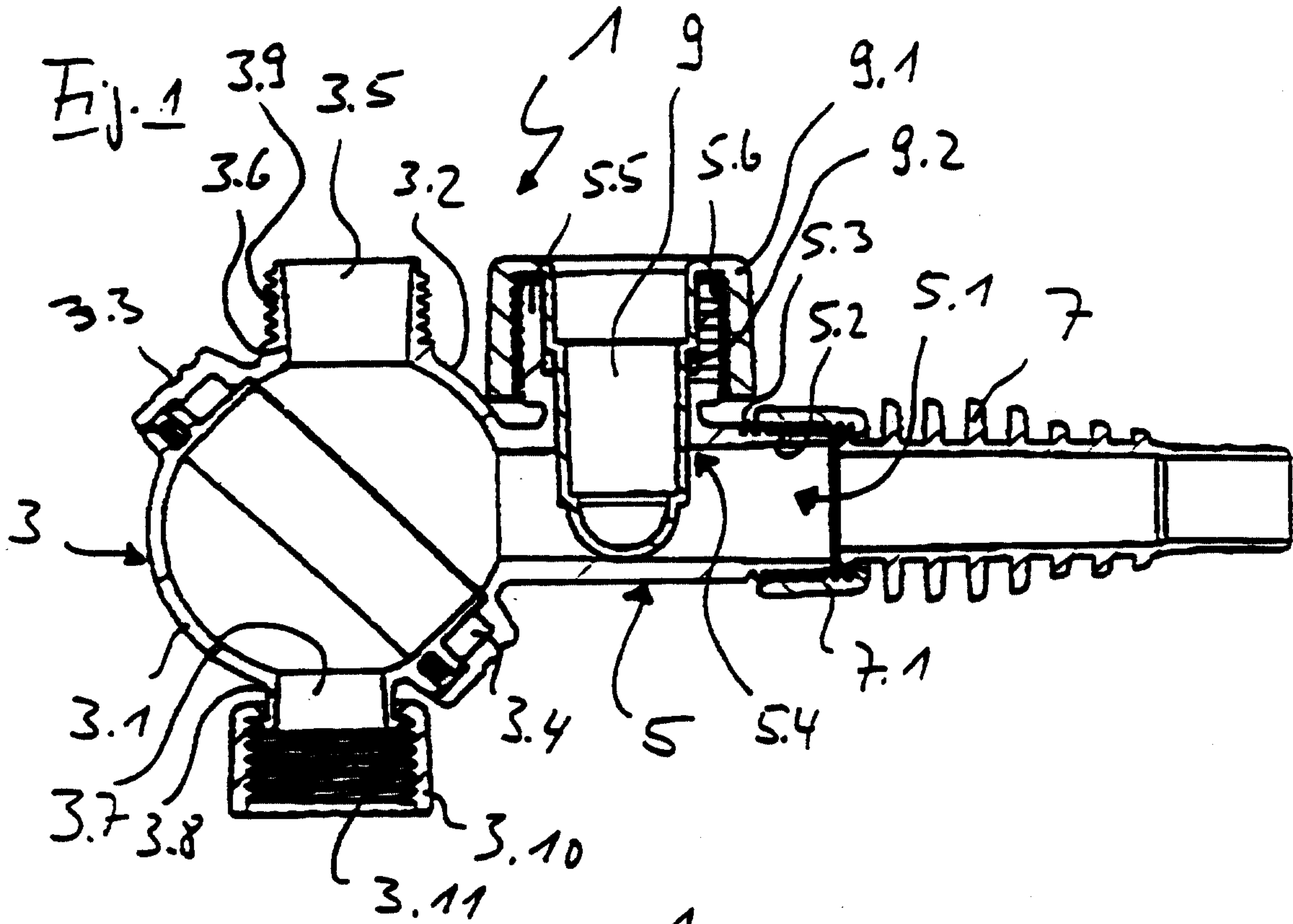
In operation, the joining portion 5 be oriented in a vertical orientation or in a horizontal orientation or any intermediate orientation using swivel joint 3. In the vertical, orientation
15 fitting 3.6 can be capped with a cap 3.10 to provoke a jet solely by way of throttle organ 9. Alternatively fitting 3.6 may remain open so that a partial flow may be used to produce a jet, and the remainder may be pumped to a filter.

Now, if pond water is to be pumped exclusively to a filter, or to be simply to be pumped
20 out of the pond, joining portion 5 may be re-oriented to the orientation of Fig. 1 or Fig. 2, and throttle organ 9 may be completely closed. Cap 3.10 may be removed from the fitting 3.6 and a hose, pipe or the like may be screwed on.

PATENT CLAIMS:

1. Fitting assembly for a pumps pressure outlet, with a pump connector and a first output fitting, and a second output fitting that may be throttled, characterized in that
5 the second output fitting (5.2), together with the first output fitting (3.6), is part of a first linking element (3.2) of a link (3) and may be angularly adjusted relative to the pump connector (3.8) that is arranged on a second linking element (3.1).

2. Pressure joint according to claim 1, further characterized in that the second output
10 (5.2) may be pivoted between a horizontal and vertical orientation, when the pump connector (3.8) is vertically positioned .



Patent Agents
Fetherstonhaugh & Co.

