

(19) World Intellectual Property Organization
International Bureau



(43) International Publication Date
28 December 2006 (28.12.2006)

PCT

(10) International Publication Number
WO 2006/138228 A3

- (51) International Patent Classification:
C10J 3/06 (2006.01) C10B 1/04 (2006.01)
- (21) International Application Number:
PCT/US2006/022842
- (22) International Filing Date: 12 June 2006 (12.06.2006)
- (25) Filing Language: English
- (26) Publication Language: English
- (30) Priority Data:
60/689,538 13 June 2005 (13.06.2005) US
- (71) Applicant (for all designated States except US): SOCI-
ETE BIC [FR/FR]; 14, rue Jeanne d'Asnieres, F-92611
Clichy Cedex (FR).
- (72) Inventors; and
- (75) Inventors/Applicants (for US only): CURELLO, An-
drew, J. [US/US]; 15 Eramo Terrace, Hamden, CT 06518
(US). SGROI, Anthony, Jr. [US/US]; 28 Hintz Drive,
Wallingford, CT 06492 (US). STEPAN, Constance, R.
[US/US]; 16 Krystalle Lane, Oxford, CT 06478 (US).
ADAMS, Paul [US/US]; 21 Perry Drive, Monroe, CT
06468 (US). FAIRBANKS, Floyd [US/US]; 103 Birch
Lane, Naugatuck, CT 06770 (US).
- (74) Agent: THAN, H., T.; The H.T. Than Law Group, 1010
Wisconsin Avenue, N.W., Suite 560, Washington, DC
20007 (US).

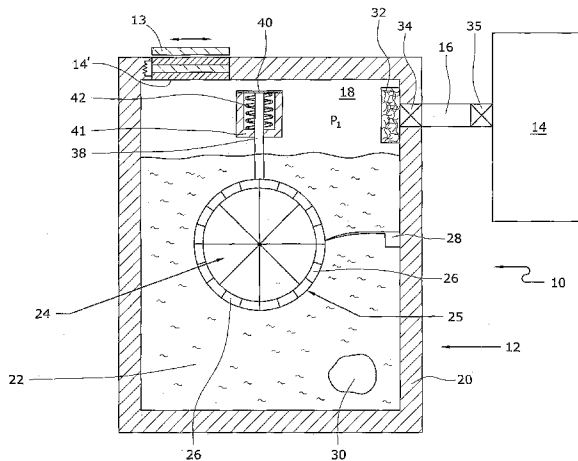
- (81) Designated States (unless otherwise indicated, for every
kind of national protection available): AE, AG, AL, AM,
AT, AU, AZ, BA, BB, BG, BR, BW, BY, BZ, CA, CH, CN,
CO, CR, CU, CZ, DE, DK, DM, DZ, EC, EE, EG, ES, FI,
GB, GD, GE, GH, GM, HR, HU, ID, IL, IN, IS, JP, KE,
KG, KM, KN, KP, KR, KZ, LC, LK, LR, LS, LT, LU, LV,
LY, MA, MD, MG, MK, MN, MW, MX, MZ, NA, NG, NI,
NO, NZ, OM, PG, PH, PL, PT, RO, RS, RU, SC, SD, SE,
SG, SK, SL, SM, SY, TJ, TM, TN, TR, TT, TZ, UA, UG,
US, UZ, VC, VN, ZA, ZM, ZW.
- (84) Designated States (unless otherwise indicated, for every
kind of regional protection available): ARIPO (BW, GH,
GM, KE, LS, MW, MZ, NA, SD, SL, SZ, TZ, UG, ZM,
ZW), Eurasian (AM, AZ, BY, KG, KZ, MD, RU, TJ, TM),
European (AT, BE, BG, CH, CY, CZ, DE, DK, EE, ES, FI,
FR, GB, GR, HU, IE, IS, IT, LT, LU, LV, MC, NL, PL, PT,
RO, SE, SI, SK, TR), OAPI (BF, BJ, CF, CG, CI, CM, GA,
GN, GQ, GW, ML, MR, NE, SN, TD, TG).

Declarations under Rule 4.17:

- as to applicant's entitlement to apply for and be granted a
patent (Rule 4.17(ii))
- as to the applicant's entitlement to claim the priority of the
earlier application (Rule 4.17(iii))
- of inventorship (Rule 4.17(iv))

[Continued on next page]

(54) Title: HYDROGEN GENERATING FUEL CELL CARTRIDGES



(57) Abstract: A gas-generating apparatus (12) includes a fuel introducing system that has a fuel transporting system that is pressure regulated and indexed. A reaction chamber (18) having a fluid fuel component (22) and an indexing mechanism (24) operatively connected to a solid fuel component are provided. The solid fuel component of the present invention is introduced into the fluid fuel component within the reaction chamber. Further, the indexing mechanism includes a ratcheting mechanism that may be in direct contact with the fluid fuel component. Alternatively, the reaction chamber may be contained within a pod which also contains the reservoir containing the fluid fuel component, a plurality of which are provided. The indexing mechanism advances the pods sequentially so that the fuel components may be introduced. Other indexing mechanisms are provided. A secondary fuel cell (14') may be provided to extract excess production from the reaction chamber.

WO 2006/138228 A3



Published:

- with international search report
- before the expiration of the time limit for amending the claims and to be republished in the event of receipt of amendments

For two-letter codes and other abbreviations, refer to the "Guidance Notes on Codes and Abbreviations" appearing at the beginning of each regular issue of the PCT Gazette.

(88) Date of publication of the international search report:

29 March 2007

INTERNATIONAL SEARCH REPORT

International application No.

PCT/US06/22842

A. CLASSIFICATION OF SUBJECT MATTER
 IPC: **C10J 3/06**(2006.01);**C10B 1/04**(2006.01)
 C01B 3/32(2006.01);B01J 8/00(2006.01)
 USPC: 48/61
 According to International Patent Classification (IPC) or to both national classification and IPC

B. FIELDS SEARCHED

Minimum documentation searched (classification system followed by classification symbols)
 U.S. : 48/61

Documentation searched other than minimum documentation to the extent that such documents are included in the fields searched

Electronic data base consulted during the international search (name of data base and, where practicable, search terms used)


C. DOCUMENTS CONSIDERED TO BE RELEVANT

Category *	Citation of document, with indication, where appropriate, of the relevant passages	Relevant to claim No.
A	US 6,544,400 B2 (HOCKADAY et al.) 08 April 2003 (08.04.2003)	1-29

Further documents are listed in the continuation of Box C. See patent family annex.

* Special categories of cited documents:	
"A" document defining the general state of the art which is not considered to be of particular relevance	"T" later document published after the international filing date or priority date and not in conflict with the application but cited to understand the principle or theory underlying the invention
"E" earlier application or patent published on or after the international filing date	"X" document of particular relevance; the claimed invention cannot be considered novel or cannot be considered to involve an inventive step when the document is taken alone
"L" document which may throw doubts on priority claim(s) or which is cited to establish the publication date of another citation or other special reason (as specified)	"Y" document of particular relevance; the claimed invention cannot be considered to involve an inventive step when the document is combined with one or more other such documents, such combination being obvious to a person skilled in the art
"O" document referring to an oral disclosure, use, exhibition or other means	"&" document member of the same patent family
"P" document published prior to the international filing date but later than the priority date claimed	

Date of the actual completion of the international search 22 December 2006 (22.12.2006)	Date of mailing of the international search report 24 JAN 2007
--	---

Name and mailing address of the ISA/US Mail Stop PCT, Attn: ISA/US Commissioner for Patents P.O. Box 1450 Alexandria, Virginia 22313-1450 Facsimile No. (571) 273-3201	Authorized officer Basia Ridley  Telephone No. (571) 272-1700
---	---