



(51) International Patent Classification:

*B62B 3/14* (2006.01)      *B62B 5/02* (2006.01)  
*B29C 45/14* (2006.01)      *B66B 31/00* (2006.01)  
*B62B 3/18* (2006.01)      *B29C 45/17* (2006.01)  
*B62B 5/06* (2006.01)      *B29C 45/26* (2006.01)  
*B62B 3/02* (2006.01)

(21) International Application Number:

PCT/US2014/029474

(22) International Filing Date:

14 March 2014 (14.03.2014)

(25) Filing Language:

English

(26) Publication Language:

English

(30) Priority Data:

61/792,120      15 March 2013 (15.03.2013)      US  
61/811,393      12 April 2013 (12.04.2013)      US

(71) Applicant: **BEMIS MANUFACTURING COMPANY** [US/US]; 300 Mill Street, Sheboygan Falls, WI 53085 (US).

(72) Inventors: **STAUFF, Rick**; N7334 Bay Road, Plymouth, WI 53073 (US). **VANDE BERG, Gary**; 309 Depot Street, Fox Lake, WI 53933 (US). **WATSON, Roy**; 33315 Teegarden Road, Lisbon, OH 44432 (US).

(74) Agent: **PRICE, David R.**; Michael Best & Friedrich LLP, 100 East Wisconsin Avenue, Suite 3300, Milwaukee, WI 53202-4108 (US).

(81) Designated States (unless otherwise indicated, for every kind of national protection available): AE, AG, AL, AM, AO, AT, AU, AZ, BA, BB, BG, BH, BN, BR, BW, BY, BZ, CA, CH, CL, CN, CO, CR, CU, CZ, DE, DK, DM, DO, DZ, EC, EE, EG, ES, FI, GB, GD, GE, GH, GM, GT, HN, HR, HU, ID, IL, IN, IR, IS, JP, KE, KG, KN, KP, KR, KZ, LA, LC, LK, LR, LS, LT, LU, LY, MA, MD, ME, MG, MK, MN, MW, MX, MY, MZ, NA, NG, NI, NO, NZ, OM, PA, PE, PG, PH, PL, PT, QA, RO, RS, RU, RW, SA, SC, SD, SE, SG, SK, SL, SM, ST, SV, SY, TH, TJ, TM, TN, TR, TT, TZ, UA, UG, US, UZ, VC, VN, ZA, ZM, ZW.

(84) Designated States (unless otherwise indicated, for every kind of regional protection available): ARIPO (BW, GH, GM, KE, LR, LS, MW, MZ, NA, RW, SD, SL, SZ, TZ, UG, ZM, ZW), Eurasian (AM, AZ, BY, KG, KZ, RU, TJ, TM), European (AL, AT, BE, BG, CH, CY, CZ, DE, DK, EE, ES, FI, FR, GB, GR, HR, HU, IE, IS, IT, LT, LU, LV, MC, MK, MT, NL, NO, PL, PT, RO, RS, SE, SI, SK, SM, TR), OAPI (BF, BJ, CF, CG, CI, CM, GA, GN, GQ, GW, KM, ML, MR, NE, SN, TD, TG).

Published:

— with international search report (Art. 21(3))

[Continued on next page]

(54) Title: SHOPPING CART

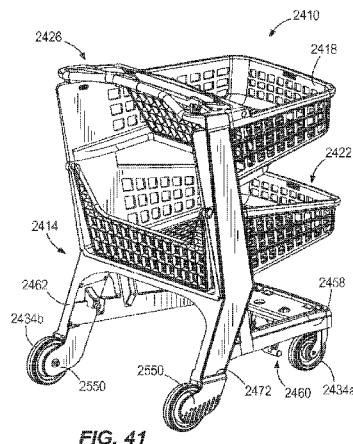


FIG. 41

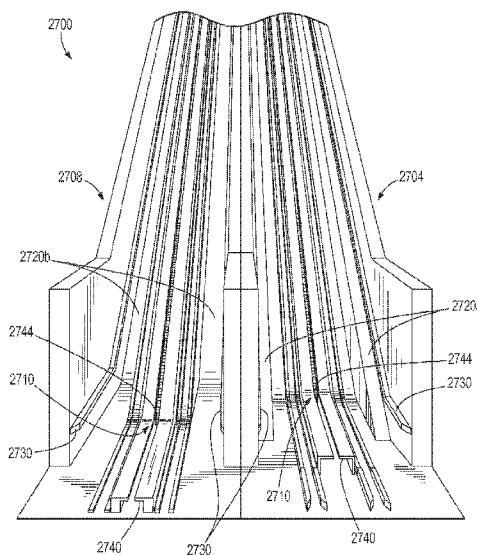


FIG. 43

(57) Abstract: A shopping cart (2410) includes a frame (2414), a plurality of wheels (2434a, 2434b) for supporting the frame for movement over a floor, an arm (2460) connected to the frame, and a projection (2472) positioned proximate at least one of the wheels. The frame has a front end and a rear end. The arm (2460) is configured to engage the tow member (2744) of a cart transport system (2700) for moving the frame. The projection (2472) engages a guide member (2730) to prevent one of the front end and the rear end from rotating over the other of the front end and the rear end.

WO 2014/144880 A3



---

— *before the expiration of the time limit for amending the claims and to be republished in the event of receipt of amendments (Rule 48.2(h))*

**(88) Date of publication of the international search report:**  
6 November 2014

**INTERNATIONAL SEARCH REPORT**

International application No  
PCT/US2014/029474

<b>A. CLASSIFICATION OF SUBJECT MATTER</b>				
INV.	B62B3/14	B29C45/14	B62B3/18	B62B5/06
	B62B5/02	B66B31/00		B62B3/02
ADD.	B29C45/17	B29C45/26		
According to International Patent Classification (IPC) or to both national classification and IPC				

<b>B. FIELDS SEARCHED</b>
Minimum documentation searched (classification system followed by classification symbols) B62B B29C B66B A47F B65G

Documentation searched other than minimum documentation to the extent that such documents are included in the fields searched

Electronic data base consulted during the international search (name of data base and, where practicable, search terms used)  
EPO-Internal, WPI Data

**C. DOCUMENTS CONSIDERED TO BE RELEVANT**

Category*	Citation of document, with indication, where appropriate, of the relevant passages	Relevant to claim No.
X	US 6 490 979 B1 (PFLEGER ROBERT H [US] ET AL) 10 December 2002 (2002-12-10) column 6, line 39 - line 42 column 7, line 14 - line 20 column 9, line 52 - line 59 figures 8,15	1-6
X	GB 1 007 453 A (MANUFACTURERS EQUIPMENT COMPAN) 13 October 1965 (1965-10-13) the whole document	1,4-6
X	WO 99/58438 A1 (REINERS HERBERT [DE]; PELCZMANN DAVID [US]) 18 November 1999 (1999-11-18) page 13, line 31 - page 14, line 13; figure 8 page 18, line 10 - page 19, line 1; figure 18	1,4-6
	----- -/--	

Further documents are listed in the continuation of Box C.       See patent family annex.

\* Special categories of cited documents :

"A" document defining the general state of the art which is not considered to be of particular relevance	"T" later document published after the international filing date or priority date and not in conflict with the application but cited to understand the principle or theory underlying the invention
"E" earlier application or patent but published on or after the international filing date	"X" document of particular relevance; the claimed invention cannot be considered novel or cannot be considered to involve an inventive step when the document is taken alone
"L" document which may throw doubts on priority claim(s) or which is cited to establish the publication date of another citation or other special reason (as specified)	"Y" document of particular relevance; the claimed invention cannot be considered to involve an inventive step when the document is combined with one or more other such documents, such combination being obvious to a person skilled in the art
"O" document referring to an oral disclosure, use, exhibition or other means	"&" document member of the same patent family
"P" document published prior to the international filing date but later than the priority date claimed	

Date of the actual completion of the international search  17 September 2014	Date of mailing of the international search report  23/09/2014
------------------------------------------------------------------------------------	----------------------------------------------------------------------

Name and mailing address of the ISA/ European Patent Office, P.B. 5818 Patentlaan 2 NL - 2280 HV Rijswijk Tel. (+31-70) 340-2040, Fax: (+31-70) 340-3016	Authorized officer  Gineste, Bertrand
----------------------------------------------------------------------------------------------------------------------------------------------------------------------	---------------------------------------------

## INTERNATIONAL SEARCH REPORT

International application No  
PCT/US2014/029474

C(Continuation). DOCUMENTS CONSIDERED TO BE RELEVANT		
Category*	Citation of document, with indication, where appropriate, of the relevant passages	Relevant to claim No.
X	US 2011/147164 A1 (WEBSTER MARK R [US] ET AL) 23 June 2011 (2011-06-23) figure 1	1-6
X	----- US 2004/111320 A1 (SCHLIEFFERS JORG [US] ET AL) 10 June 2004 (2004-06-10) the whole document	7-13
X	----- US 2012/161406 A1 (MERSKY RANDY [US]) 28 June 2012 (2012-06-28) the whole document	7-10,13
X	----- JP 2012 218502 A (TOSHIBA TEC KK) 12 November 2012 (2012-11-12) figures 9-10	7-9,13
X	----- KR 2012 0037780 A (SAMBO CORP [KR]) 20 April 2012 (2012-04-20) figures 1-4	7-13
X	----- US 2010/276899 A1 (BURDWOOD WILLIAM RICHARD [US] ET AL) 4 November 2010 (2010-11-04) figures 7-9	7-9, 11-14
X	----- EP 1 591 341 A2 (ARTSANA SPA [IT]) 2 November 2005 (2005-11-02) figure 3	7-9,11, 12
X	----- US 8 313 114 B1 (ARON KURT [US]) 20 November 2012 (2012-11-20) the whole document	7-9,11, 12 23
X	----- US 2011/062675 A1 (BROWN MARCELLAR [US] ET AL) 17 March 2011 (2011-03-17) the whole document	18-22 23
X	----- US 2010/200629 A1 (REYNOLDS SALLY B [US]) 12 August 2010 (2010-08-12) paragraph [0015] - paragraph [0017]	18,23
X	----- US 2007/063464 A1 (SPLAIN WILLIAM D [US] ET AL) 22 March 2007 (2007-03-22) paragraph [0102]; figure 11	18,24,25
X	----- US 2008/111328 A1 (RYAN MARK T [US] ET AL) 15 May 2008 (2008-05-15) the whole document	18-22
X	----- US 2003/116933 A1 (NADEAU SERGE [CA] ET AL) 26 June 2003 (2003-06-26) figures 20,21	26-33
	----- -/--	

## INTERNATIONAL SEARCH REPORT

International application No  
PCT/US2014/029474

C(Continuation). DOCUMENTS CONSIDERED TO BE RELEVANT		
Category*	Citation of document, with indication, where appropriate, of the relevant passages	Relevant to claim No.
X	CA 2 314 774 A1 (IND RONDI [CA]) 12 January 2002 (2002-01-12) figures 14,15 -----	26-33
X	US 3 019 953 A (MARTIN UMANOFF) 6 February 1962 (1962-02-06) column 2, line 22 - line 47; figures 1,3 -----	26,31
X	EP 1 400 428 A1 (PLASTIMARK S P A [IT]) 24 March 2004 (2004-03-24) paragraph [0024]; figure 2 -----	26-41
X,P	WO 2013/112644 A1 (HILL KATIE [US]) 1 August 2013 (2013-08-01) figures 9,5 -----	7,8,11
A	US 2009/159402 A1 (WEBSTER MARK R [US] ET AL) 25 June 2009 (2009-06-25) the whole document -----	1-6
A	US 2009/242355 A1 (WEBSTER MARK R [US]) 1 October 2009 (2009-10-01) the whole document -----	1-6

# INTERNATIONAL SEARCH REPORT

International application No.  
PCT/US2014/029474

## Box No. II Observations where certain claims were found unsearchable (Continuation of item 2 of first sheet)

This international search report has not been established in respect of certain claims under Article 17(2)(a) for the following reasons:

1.  Claims Nos.:  
because they relate to subject matter not required to be searched by this Authority, namely:
  
2.  Claims Nos.:  
because they relate to parts of the international application that do not comply with the prescribed requirements to such an extent that no meaningful international search can be carried out, specifically:
  
3.  Claims Nos.:  
because they are dependent claims and are not drafted in accordance with the second and third sentences of Rule 6.4(a).

## Box No. III Observations where unity of invention is lacking (Continuation of item 3 of first sheet)

This International Searching Authority found multiple inventions in this international application, as follows:

see additional sheet

1.  As all required additional search fees were timely paid by the applicant, this international search report covers all searchable claims.
  
2.  As all searchable claims could be searched without effort justifying an additional fees, this Authority did not invite payment of additional fees.
  
3.  As only some of the required additional search fees were timely paid by the applicant, this international search report covers only those claims for which fees were paid, specifically claims Nos.:  
  
1-14, 18-41
  
4.  No required additional search fees were timely paid by the applicant. Consequently, this international search report is restricted to the invention first mentioned in the claims; it is covered by claims Nos.:

### Remark on Protest

- The additional search fees were accompanied by the applicant's protest and, where applicable, the payment of a protest fee.
- The additional search fees were accompanied by the applicant's protest but the applicable protest fee was not paid within the time limit specified in the invitation.
- No protest accompanied the payment of additional search fees.

**FURTHER INFORMATION CONTINUED FROM PCT/ISA/ 210**

This International Searching Authority found multiple (groups of) inventions in this international application, as follows:

1. claims: 1-6

A shopping cart defined by its connection means for engaging the tow member of a transport system

---

2. claims: 7-14

A handle assembly for a shopping cart

---

3. claims: 15-17

A shopping cart defined by its basket

---

4. claims: 18-25

A shopping cart defined by its seat

---

5. claims: 26-41

A shopping cart defined by the attachment means between its frame and its tray/basket

---

6. claims: 42-44

A shopping cart defined by its second handle

---

## INTERNATIONAL SEARCH REPORT

Information on patent family members

International application No

PCT/US2014/029474

Patent document cited in search report	Publication date	Patent family member(s)	Publication date
US 6490979	B1	10-12-2002	NONE
GB 1007453	A	13-10-1965	DE 1989386 U 11-07-1968 GB 1007453 A 13-10-1965
WO 9958438	A1	18-11-1999	BR 9910422 A 09-01-2001 CA 2331556 A1 18-11-1999 CN 1305432 A 25-07-2001 EP 1077896 A1 28-02-2001 HK 1038340 A1 28-03-2003 HU 0101950 A2 28-09-2001 ID 27174 A 08-03-2001 US 6138815 A 31-10-2000 WO 9958438 A1 18-11-1999
US 2011147164	A1	23-06-2011	NONE
US 2004111320	A1	10-06-2004	AU 2003287610 A1 30-06-2004 CA 2506739 A1 24-06-2004 EP 1573467 A2 14-09-2005 JP 2006512637 A 13-04-2006 KR 20050086805 A 30-08-2005 US 2004111320 A1 10-06-2004 WO 2004053632 A2 24-06-2004
US 2012161406	A1	28-06-2012	NONE
JP 2012218502	A	12-11-2012	CN 102730032 A 17-10-2012 JP 5395105 B2 22-01-2014 JP 2012218502 A 12-11-2012
KR 20120037780	A	20-04-2012	NONE
US 2010276899	A1	04-11-2010	NONE
EP 1591341	A2	02-11-2005	EP 1591341 A2 02-11-2005 US 2005242549 A1 03-11-2005
US 8313114	B1	20-11-2012	NONE
US 2011062675	A1	17-03-2011	NONE
US 2010200629	A1	12-08-2010	NONE
US 2007063464	A1	22-03-2007	US 2007063464 A1 22-03-2007 US 2009014971 A1 15-01-2009 US 2010032919 A1 11-02-2010 US 2010327545 A1 30-12-2010
US 2008111328	A1	15-05-2008	NONE
US 2003116933	A1	26-06-2003	CA 2366158 A1 21-06-2003 US 2003116933 A1 26-06-2003
CA 2314774	A1	12-01-2002	NONE
US 3019953	A	06-02-1962	NONE

# INTERNATIONAL SEARCH REPORT

Information on patent family members

International application No

PCT/US2014/029474

Patent document cited in search report	Publication date	Patent family member(s)	Publication date
EP 1400428	A1	24-03-2004	AT 415326 T 15-12-2008
			CA 2433097 A1 26-12-2003
			EP 1400428 A1 24-03-2004
			ES 2316671 T3 16-04-2009
			IT T020020554 A1 29-12-2003
			PT 1400428 E 20-02-2009
			US 2004104549 A1 03-06-2004
-----			
WO 2013112644	A1	01-08-2013	US 2014014672 A1 16-01-2014
			WO 2013112644 A1 01-08-2013
-----			
US 2009159402	A1	25-06-2009	NONE
-----			
US 2009242355	A1	01-10-2009	NONE
-----			