



(12) **United States Design Patent**
Chen

(10) **Patent No.:** **US D1,069,167 S**
(45) **Date of Patent:** **** Apr. 1, 2025**

- (54) **GARDEN HOUSE**
- (71) Applicant: **Hangzhou Leibo Industrial Co., Ltd.**,
Hangzhou (CN)
- (72) Inventor: **Yingming Chen**, Hangzhou (CN)
- (73) Assignee: **Hangzhou Leibo Industrial Co., Ltd.**,
Hangzhou (CN)
- (**) Term: **15 Years**
- (21) Appl. No.: **29/880,497**
- (22) Filed: **Jul. 24, 2023**
- (30) **Foreign Application Priority Data**

3,150,463 A * 9/1964 Nearing E04B 1/24
52/DIG. 17
3,246,643 A * 4/1966 Stark F24F 13/04
126/110 B
3,416,496 A * 12/1968 Peterson A01K 1/0218
119/446

(Continued)

OTHER PUBLICATIONS

Designrulz, posted Jul. 6, 2015 [online], [retrieved Sep. 30, 2024].
Retrieved from internet, <https://www.designrulz.com/design/2015/07/how-to-purchase-a-small-inexpensive-greenhouse/>, (verified with Google AI) (Year: 2015).*

Primary Examiner — Brett Miller
Assistant Examiner — Sara Michie Pottenger

- Jun. 17, 2023 (CN) 202330375362.9
- (51) **LOC (15) Cl.** **25-03**
- (52) **U.S. Cl.**
USPC **D25/15; D25/33**
- (58) **Field of Classification Search**
USPC D25/11, 15, 17, 18, 22, 24, 30, 33, 35;
D21/478, 479, 483, 506
CPC A01G 9/14; A01G 9/1415; A01G 9/16;
A01G 9/18; E04H 1/12; E04H 1/1205;
E04H 1/125; E04B 2001/2448; E04B
2001/2463; E04B 2001/2466; E04B
2001/2481; E04B 2001/2409; Y02A
40/25
See application file for complete search history.

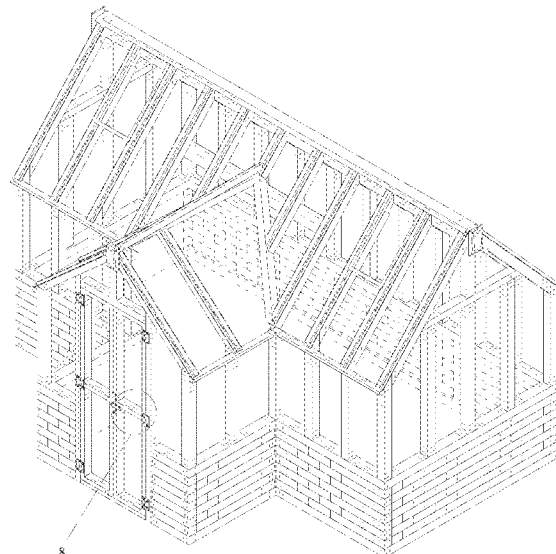
(57) **CLAIM**
The ornamental design for a garden house as shown and described.

DESCRIPTION

FIG. 1 is a front, right, top perspective view of a garden house showing my new design;
FIG. 2 is a front view thereof;
FIG. 3 is a left view thereof;
FIG. 4 is a right view thereof;
FIG. 5 is a back view thereof;
FIG. 6 is a top view thereof;
FIG. 7 is a bottom view thereof;
FIG. 8 is an enlarged view of the encircled area 8 of FIG. 1;
FIG. 9 is an enlarged view of the encircled area 9 of FIG. 2;
FIG. 10 is an enlarged view of the encircled area 10 of FIG. 3; and,
FIG. 11 is an enlarged view of the encircled area 11 of FIG. 7.
The broken lines shown on the drawings depict portions of the garden house that form no part of the claimed design.

- (56) **References Cited**
U.S. PATENT DOCUMENTS
1,921,303 A * 8/1933 Raschka E04D 3/08
52/200
D138,728 S * 9/1944 King D25/15
2,784,814 A * 3/1957 Bright E04D 3/08
52/461
D185,789 S * 8/1959 Mims D25/15

1 Claim, 11 Drawing Sheets



(56)

References Cited

U.S. PATENT DOCUMENTS

3,751,865 A *	8/1973	Brigham	E04B 1/6175	4,561,227 A *	12/1985	Austin	E04B 7/00
				D25/61					135/121
D228,450 S *	9/1973	Flickinger	D25/18	D284,703 S *	7/1986	Gustafsson	D25/22
D239,170 S *	3/1976	Hansen	D25/33	4,815,242 A *	3/1989	Gilliland	E04D 3/08
3,987,597 A *	10/1976	Smrt	E04B 2/56					52/79.5
				52/63	5,216,834 A *	6/1993	Crowley	A01G 9/1438
4,012,871 A *	3/1977	Netto	E04B 1/34861					52/63
				D25/4	D362,729 S *	9/1995	Kitchel	D25/17
D245,996 S *	10/1977	Lukens	D25/30	5,956,896 A *	9/1999	Miecka	A01G 9/18
4,057,941 A *	11/1977	Schwartz	A01G 9/16					47/17
				52/302.1	7,748,162 B1 *	7/2010	Necessary	A01G 9/16
4,069,627 A *	1/1978	Pegg	E04B 1/24					47/17
				52/656.5	D642,701 S *	8/2011	Howard	D25/15
4,167,838 A *	9/1979	Metheny	E04H 1/12	9,999,179 B2 *	6/2018	Bose	F24F 5/0046
				52/79.5	10,206,336 B2 *	2/2019	Herrick	A01G 9/16
4,201,019 A *	5/1980	Jones	A01G 9/14	D848,025 S *	5/2019	Chen	D25/15
				52/57	10,426,102 B2 *	10/2019	Smith	A01G 9/16
4,274,234 A *	6/1981	Abell	A01G 9/1415	D880,002 S *	3/2020	Lucas	D25/33
				52/273	D1,039,172 S *	8/2024	Jinhuan	D21/478
4,501,103 A *	2/1985	Markey	E04B 1/2612	2006/0248807 A1 *	11/2006	Penna	A01G 9/241
				52/127.2					52/64
					2011/0153053 A1 *	6/2011	Kim	A01G 9/246
									47/17
					2015/0223407 A1 *	8/2015	Carroll	A01G 9/243
									47/17

* cited by examiner

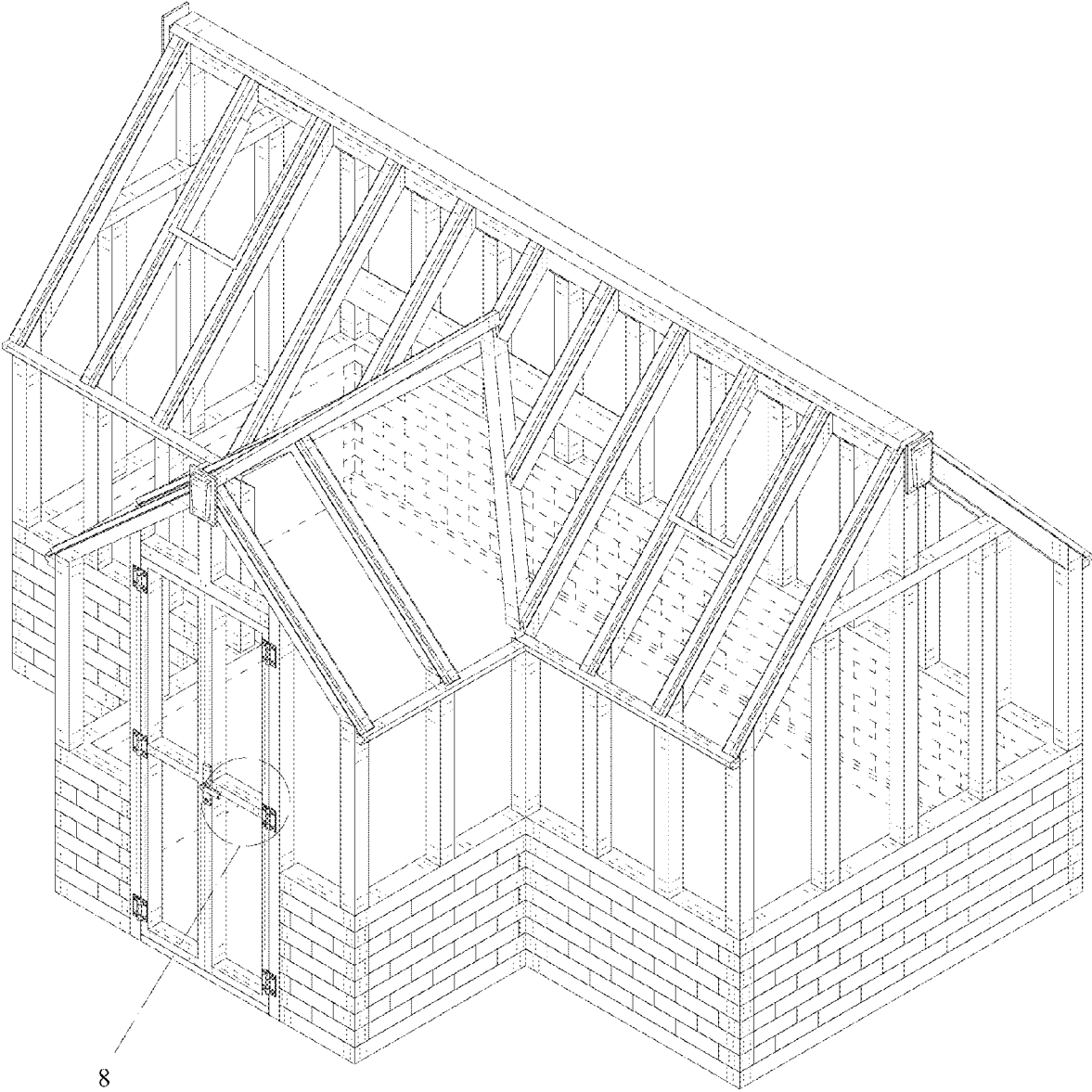


FIG. 1

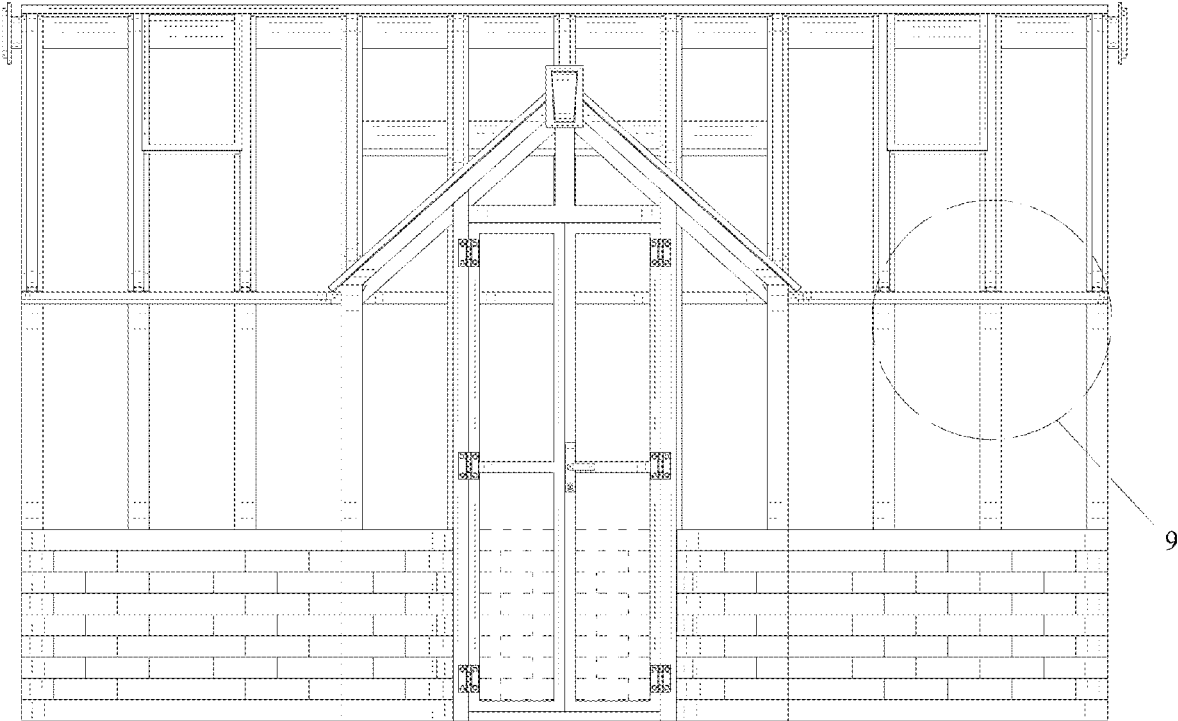


FIG. 2

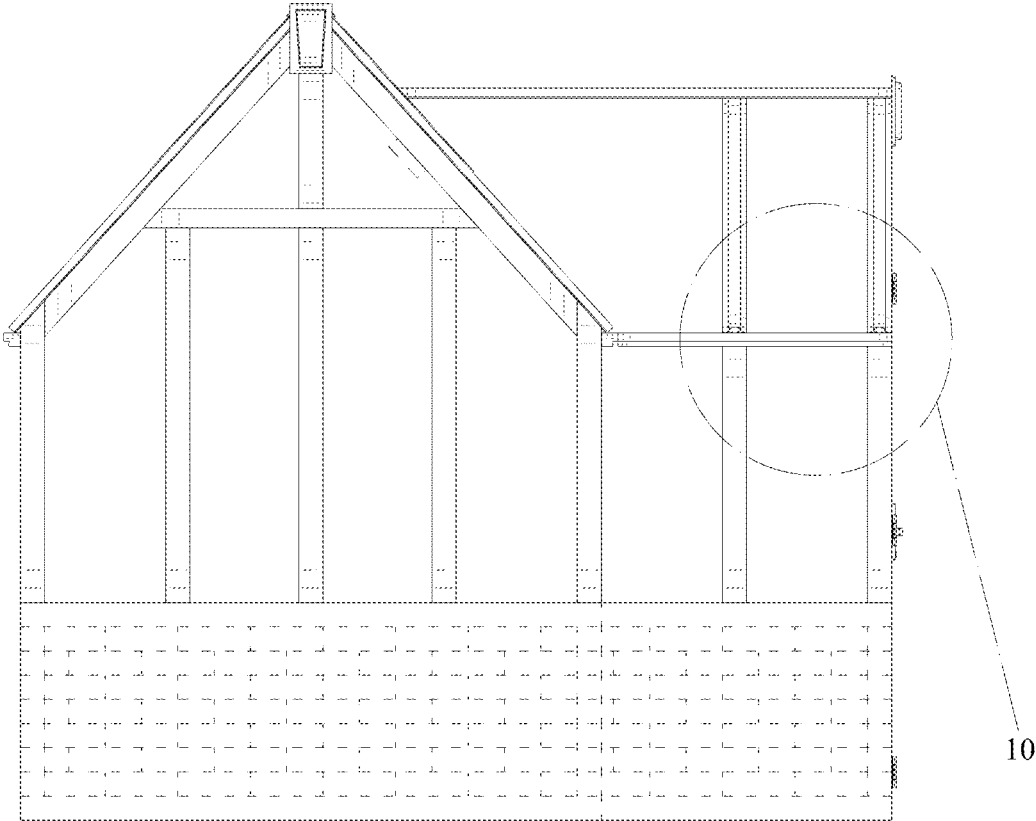


FIG. 3

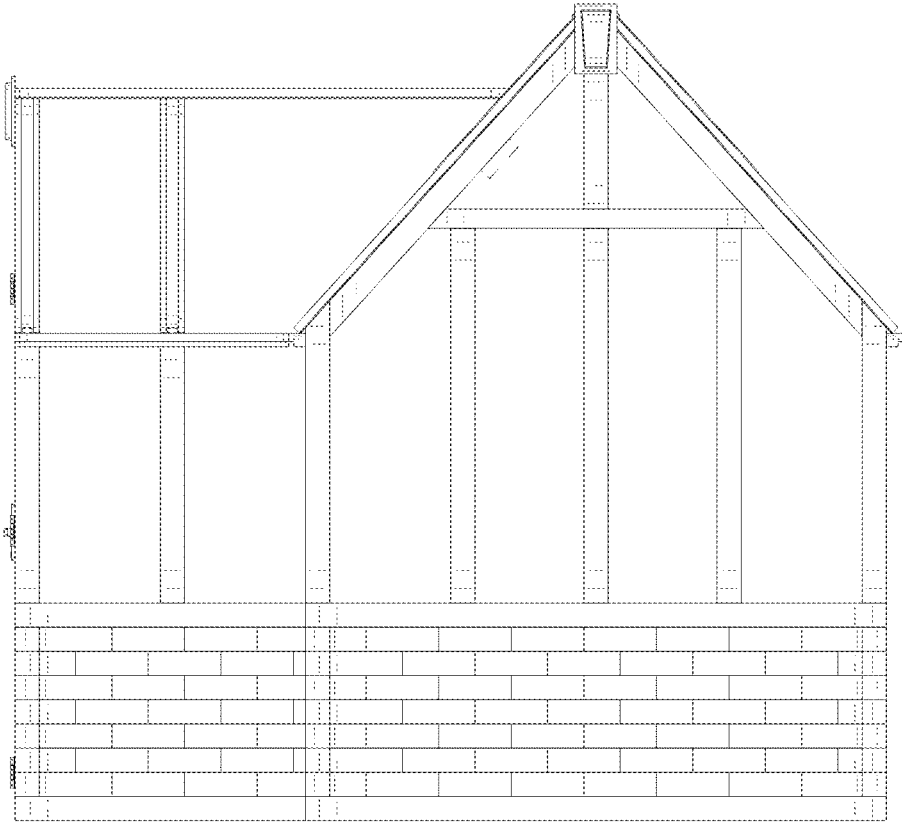


FIG. 4

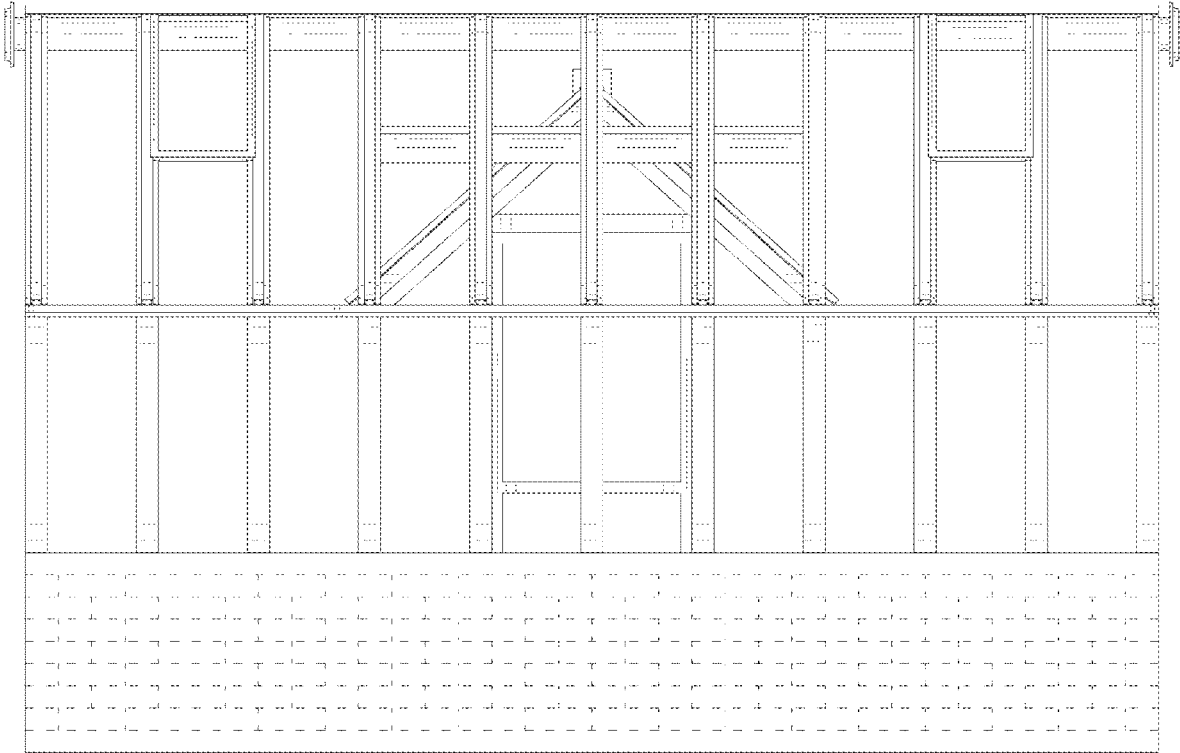


FIG. 5

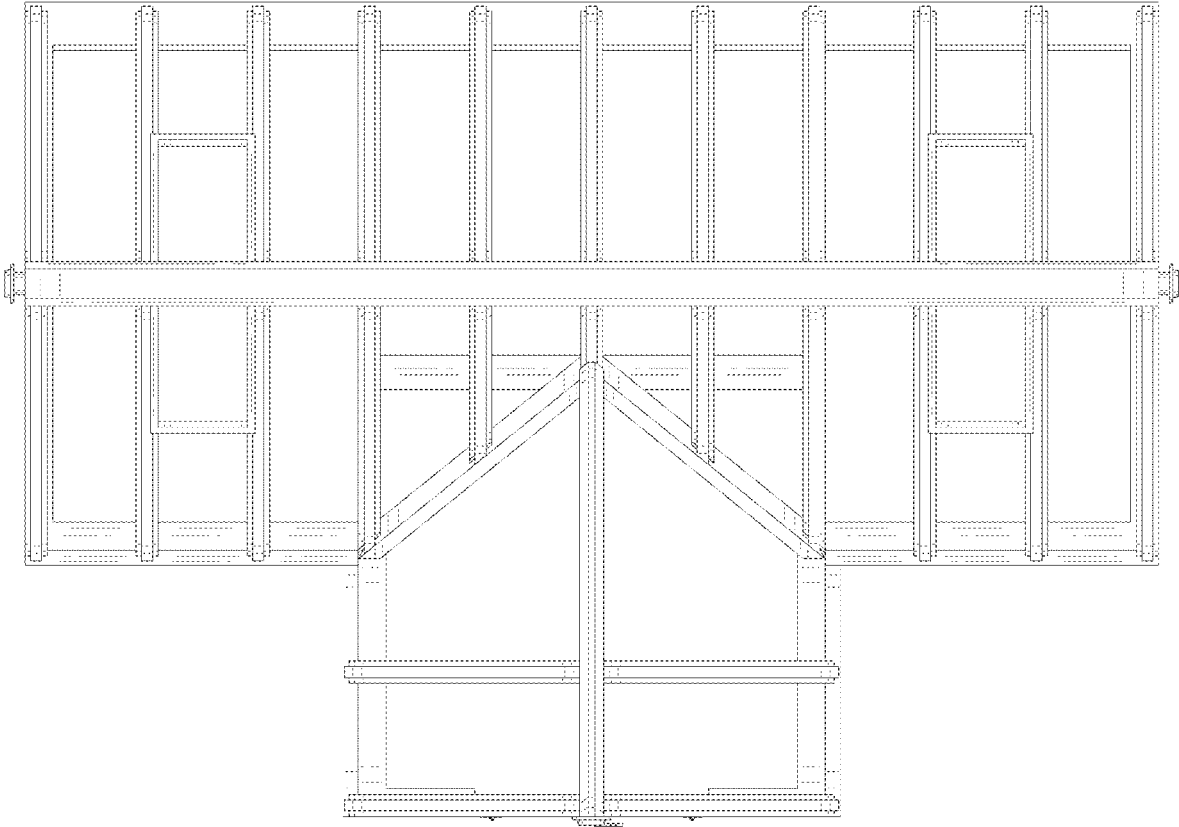


FIG. 6

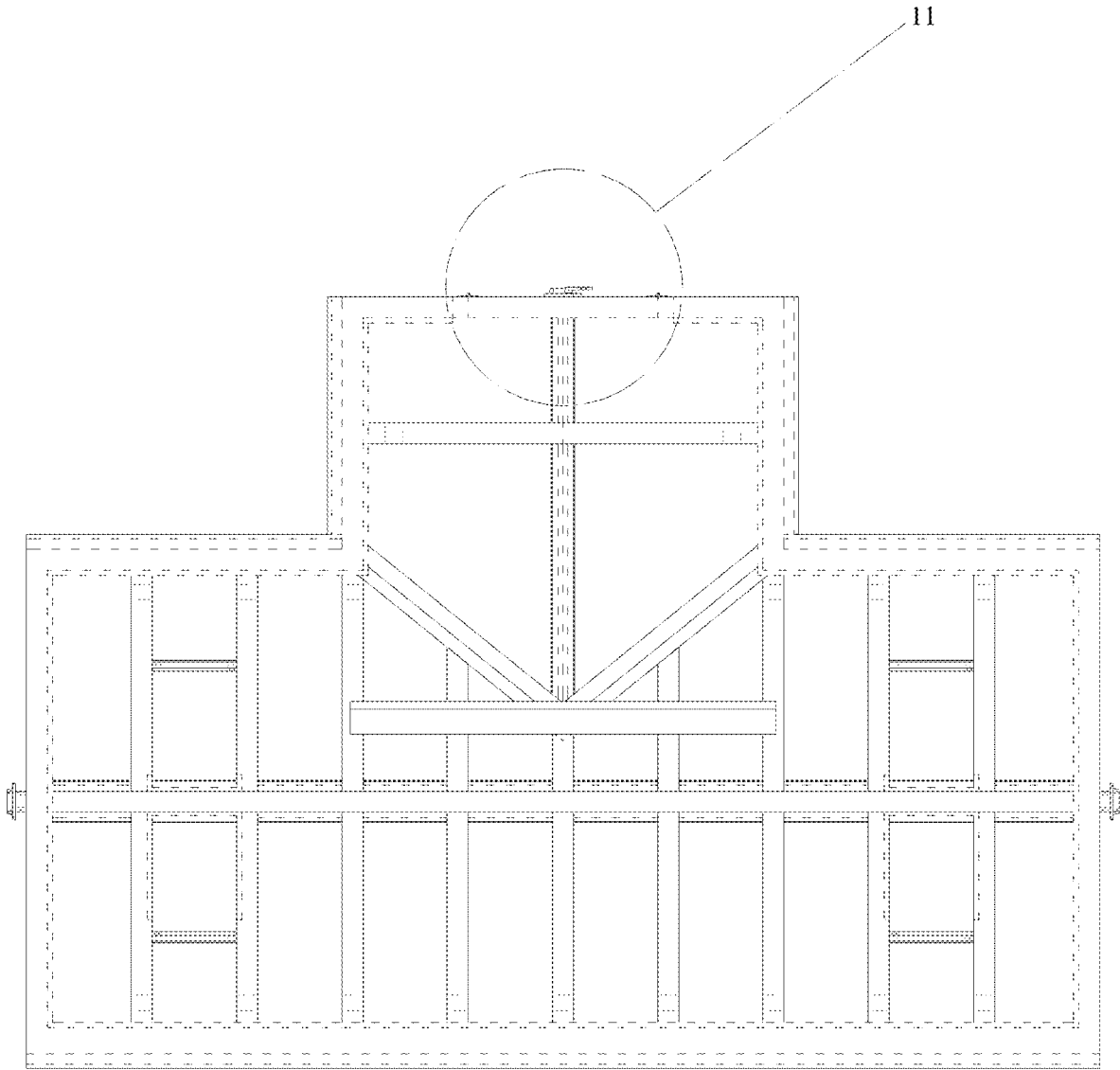


FIG. 7

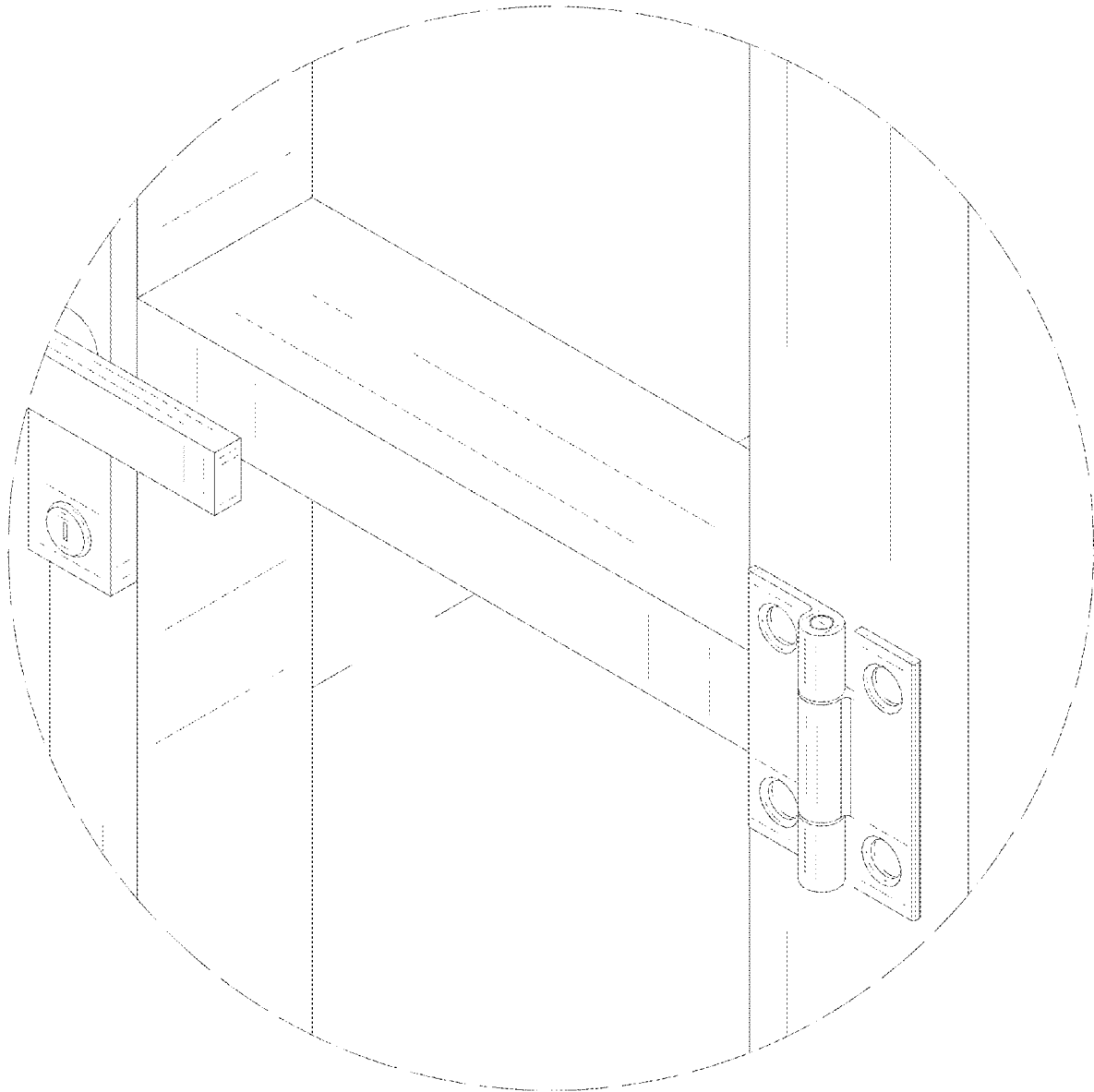


FIG. 8

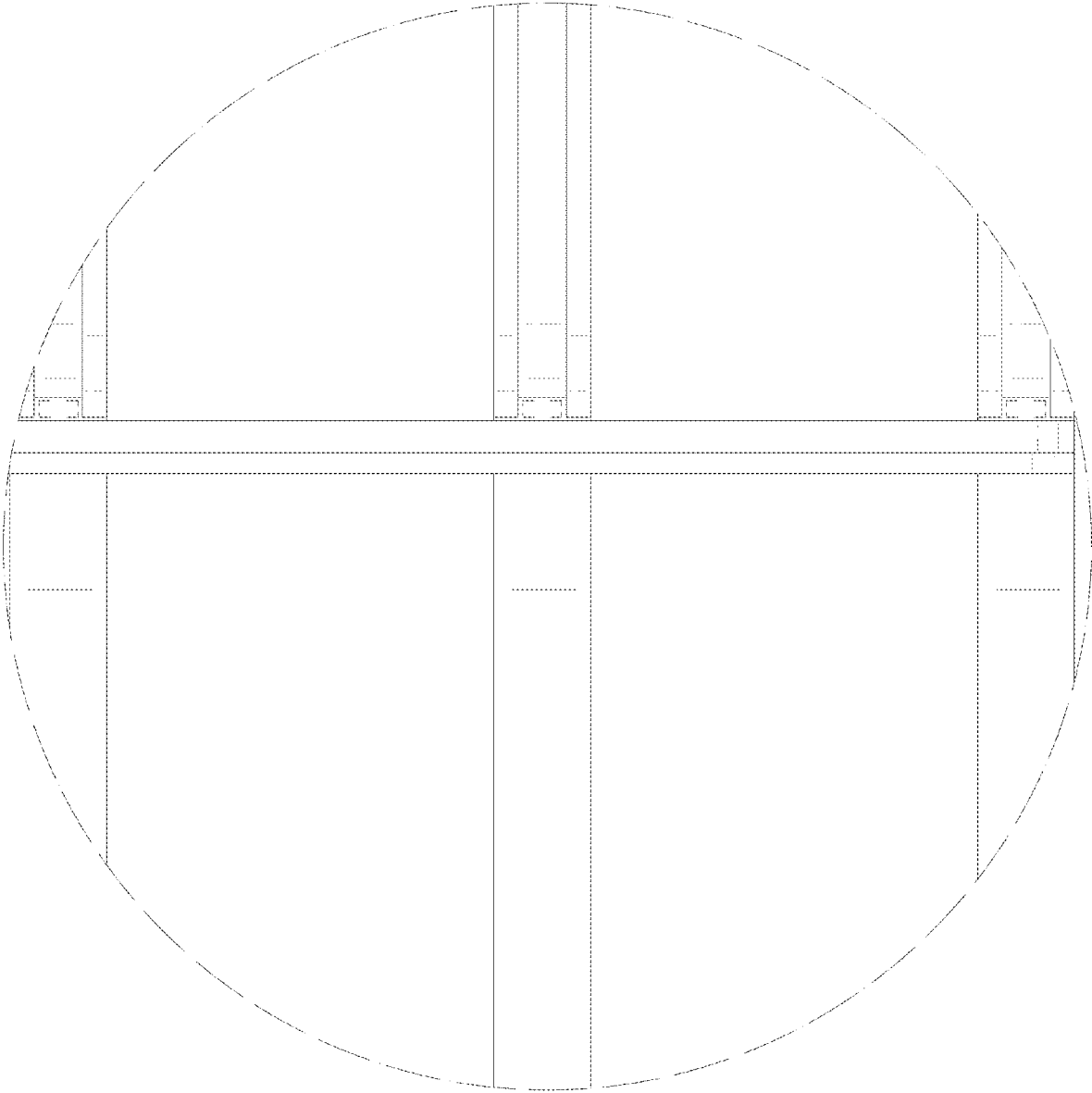


FIG. 9

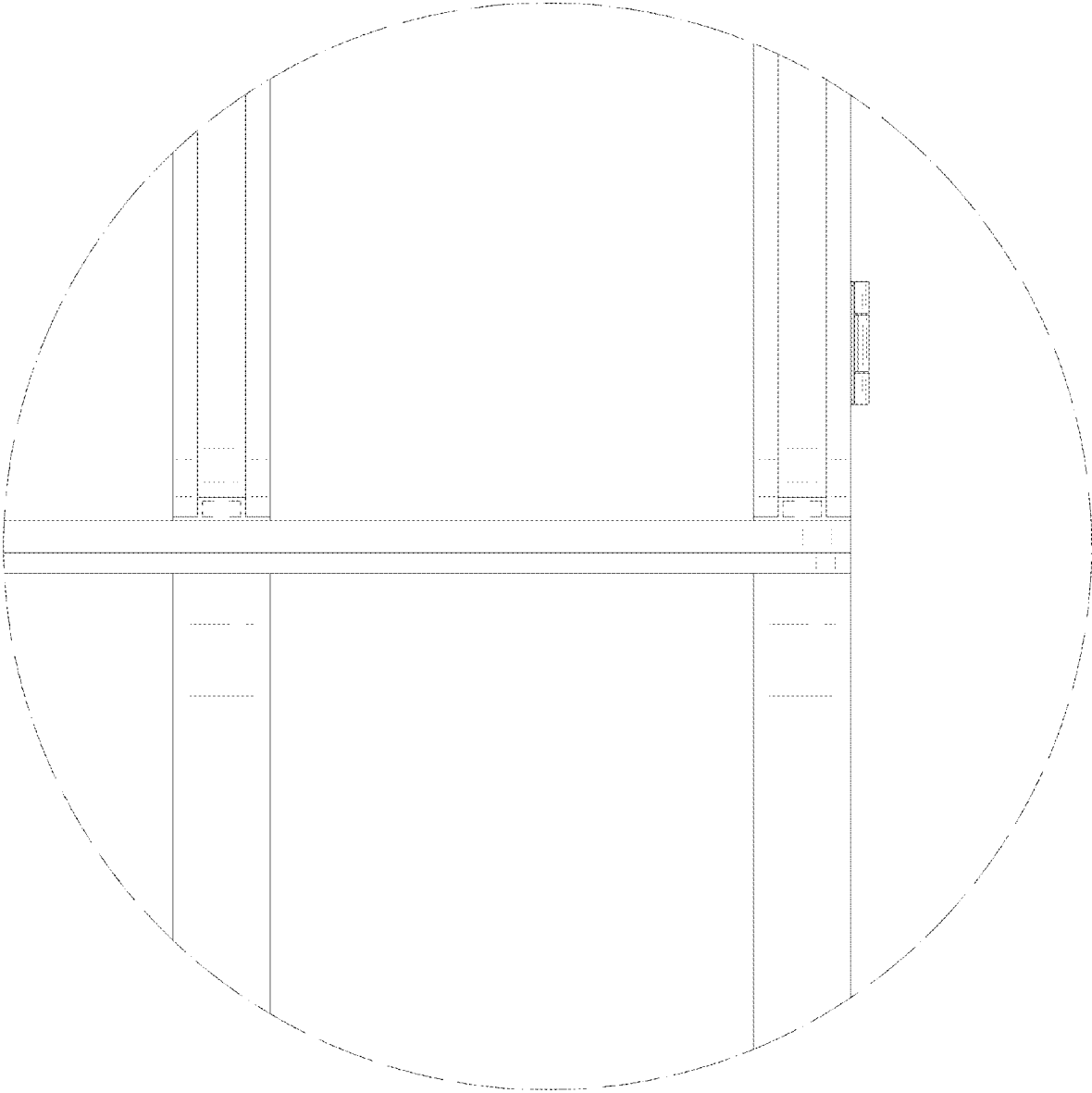


FIG. 10

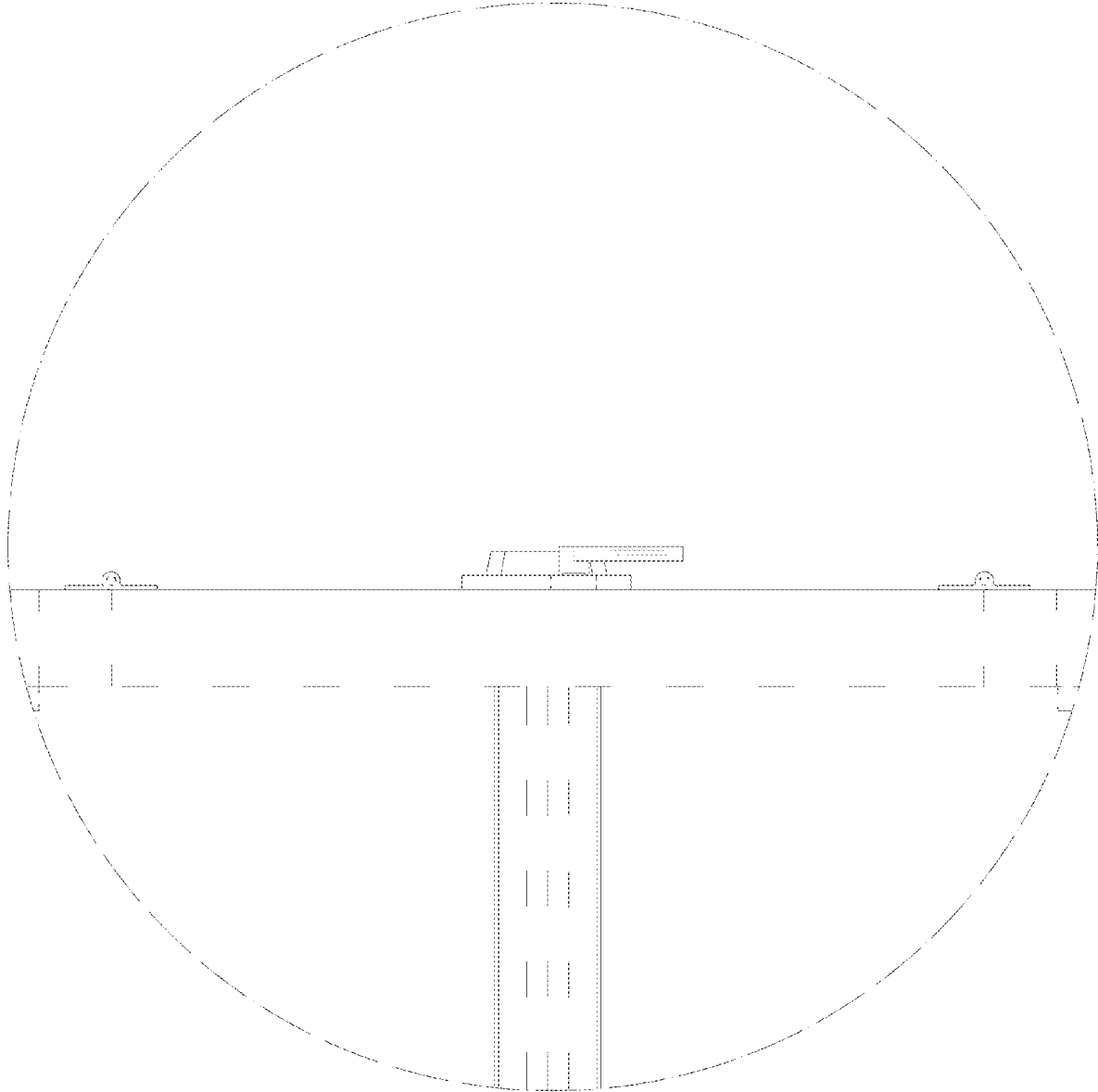


FIG. 11