



US00D415012S

United States Patent [19]
Bernstein

[11] **Patent Number: Des. 415,012**

[45] **Date of Patent: ** Oct. 12, 1999**

[54] **FASTENING AND LOCKING BRACKET**

4,724,584 2/1988 Kasai 24/115 G
5,067,213 11/1991 Ragsdale et al. 24/115 G

[75] Inventor: **Patrik L. T. Bernstein**, Torekov,
Sweden

Primary Examiner—Holly Baynham
Attorney, Agent, or Firm—Kelly Bauersfeld, Lowry &
Kelley, LLP

[73] Assignee: **Spotlight Enterprises Incorporated**,
Woodland Hills, Calif.

[**] Term: **14 Years**

[57] **CLAIM**

[21] Appl. No.: **29/063,740**

The ornamental design for a fastening and locking bracket,
as shown.

[22] Filed: **Dec. 13, 1996**

DESCRIPTION

[30] **Foreign Application Priority Data**

Jun. 27, 1996 [SE] Sweden 96-1449

[51] **LOC (6) Cl.** **08-05**

[52] **U.S. Cl.** **D8/349**

[58] **Field of Search** D8/349, 354, 382;
24/115 G, 115 R; 248/251

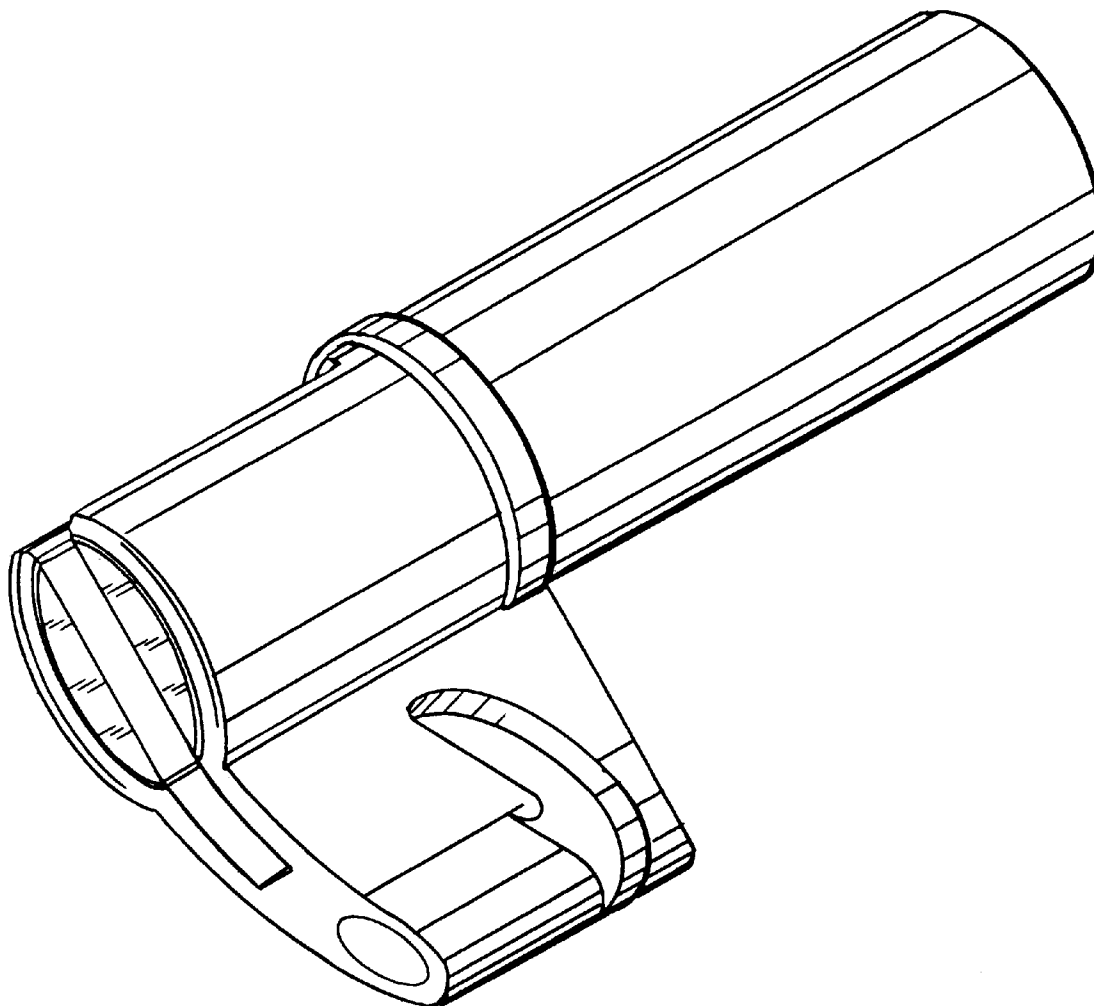
FIG. 1 is a top, rear and side perspective view of a fastening
and locking bracket embodying my new design;
FIG. 2 is a right side elevational view thereof, the left side
elevational view being a mirror image thereof;
FIG. 3 is a front elevational view thereof;
FIG. 4 is a rear elevational view thereof;
FIG. 5 is a top plan view thereof; and,
FIG. 6 is a bottom plan view thereof.

[56] **References Cited**

U.S. PATENT DOCUMENTS

3,378,219 4/1968 Biesecker 248/251 X

1 Claim, 2 Drawing Sheets



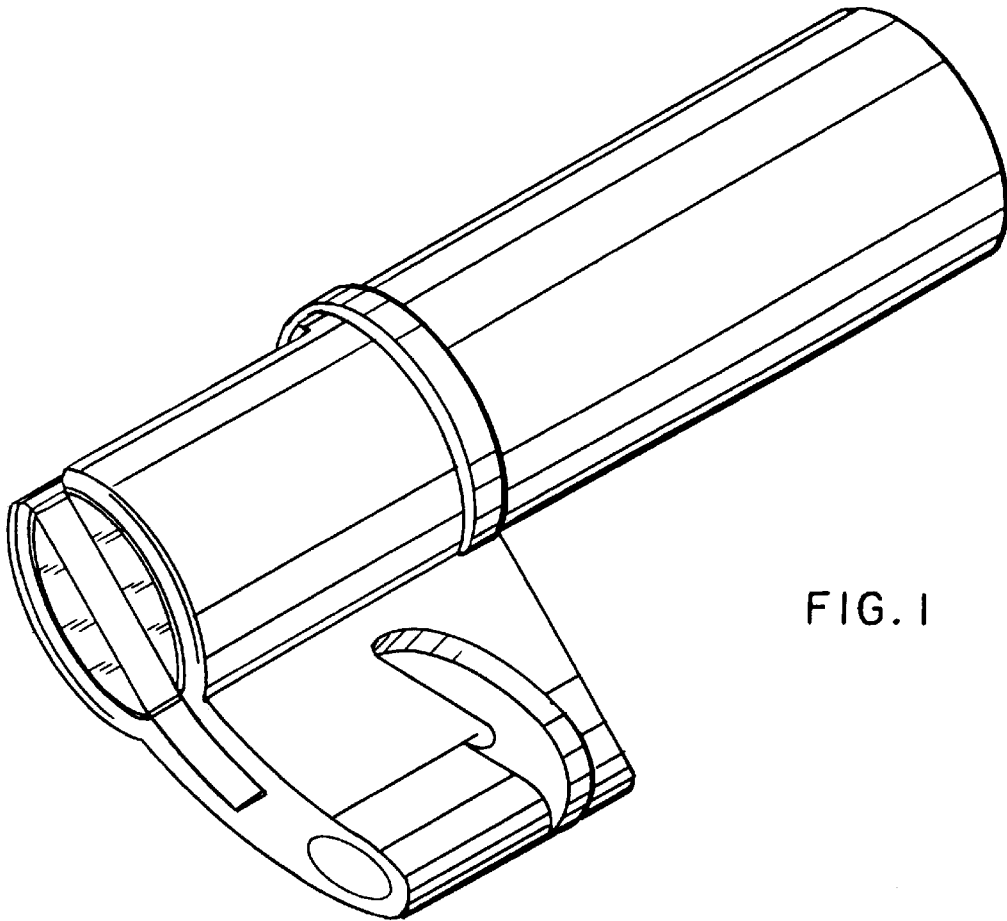


FIG. 1

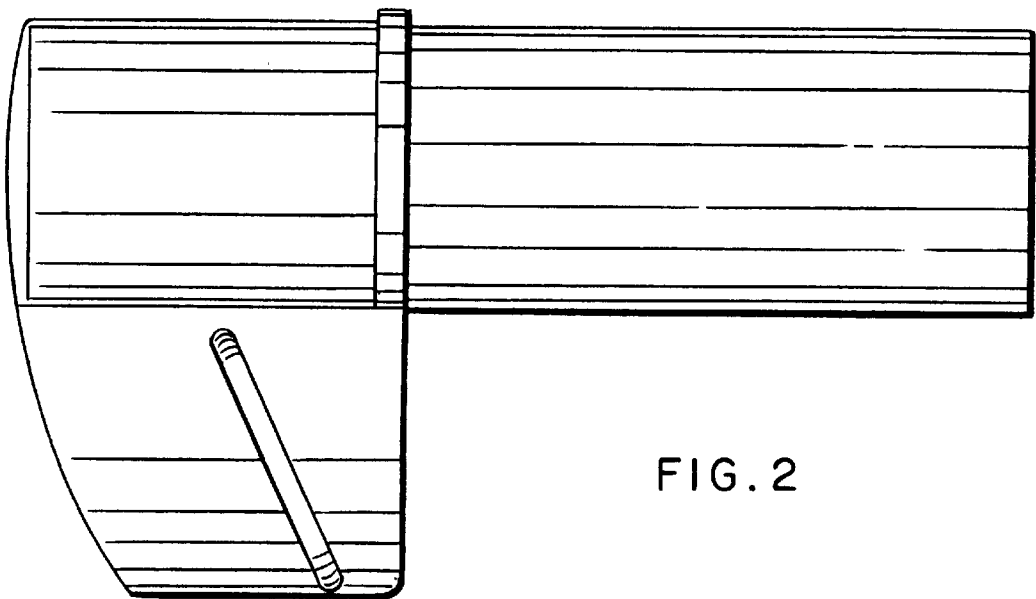


FIG. 2

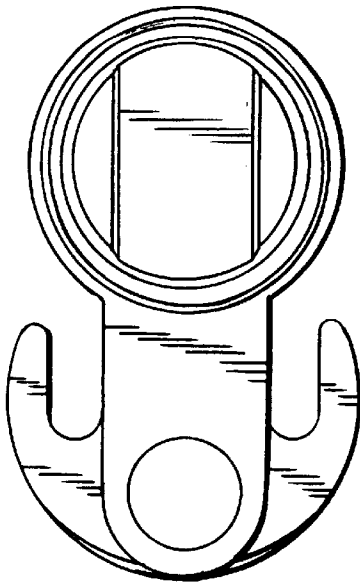


FIG. 3

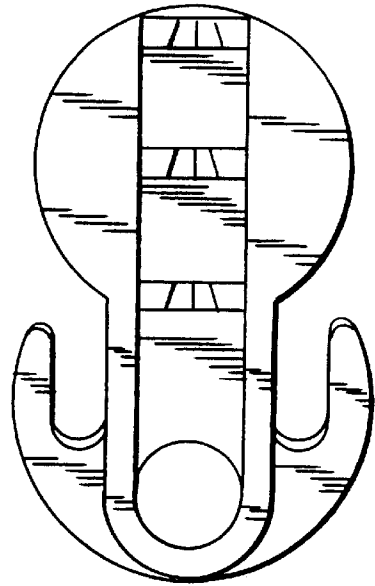


FIG. 4

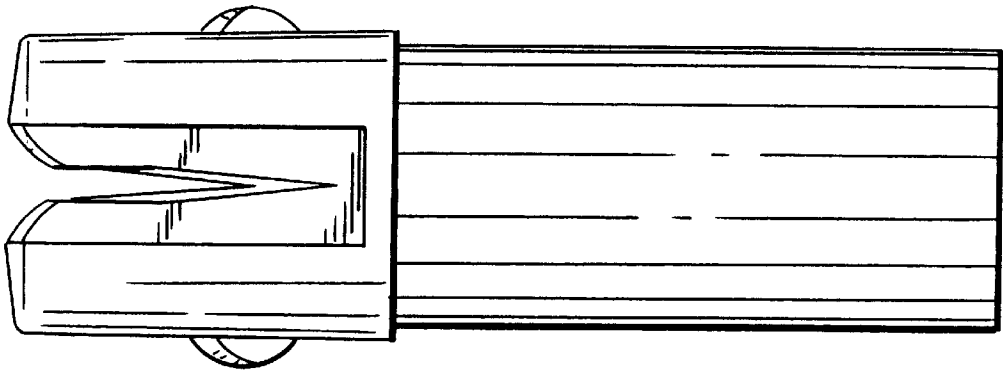


FIG. 5

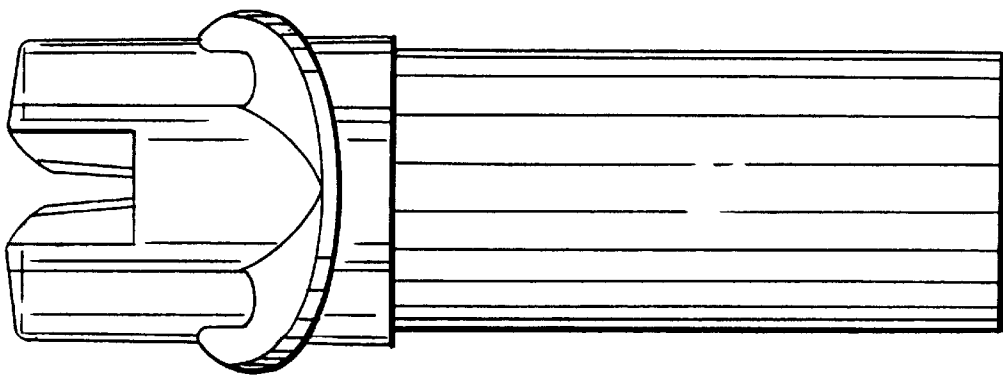


FIG. 6