



US00D725944S

(12) **United States Design Patent**
Eubank

(10) **Patent No.:** **US D725,944 S**

(45) **Date of Patent:** **** Apr. 7, 2015**

- (54) **BED COVER HOLDER**
- (71) Applicant: **Doreen Eubank**, Aurora, CO (US)
- (72) Inventor: **Doreen Eubank**, Aurora, CO (US)
- (**) Term: **14 Years**
- (21) Appl. No.: **29/468,066**
- (22) Filed: **Sep. 26, 2013**
- (51) **LOC (10) Cl.** **06-99**
- (52) **U.S. Cl.**
USPC **D6/607**
- (58) **Field of Classification Search**
CPC A47C 23/00; A47C 23/02; A47C 23/06;
A47C 27/06; A47C 27/08; A47C 27/081;
A47C 27/128; A47C 31/12–31/123
USPC D6/382, 388, 393, 406.1, 406.3, 599,
D6/602, 604–607, 642, 646, 647, 650, 653,
D6/653.11, 653.16, 653.18, 653.19, 655,
D6/655.17, 655.18, 655.2, 655.23, 655.22,
D6/656.1, 656.11–656.13, 656.19, 665,
D6/665.23, 708; D8/403; D25/113,
D25/115–117, 133, 136; 5/400, 504.1,
5/505.1, 506.1, 507.1, 706–708, 710–711
See application file for complete search history.

D273,643 S	5/1984	Sanker	
4,570,275 A *	2/1986	Merriman	5/505.1
4,829,615 A *	5/1989	Raymond	5/731
5,001,795 A	3/1991	Kasten	
5,305,480 A	4/1994	Loren	
5,426,800 A	6/1995	St. John	
D367,385 S	2/1996	Kasten	
D379,283 S *	5/1997	Antinori	D6/606
5,652,979 A	8/1997	Pugh	
5,680,660 A	10/1997	Johanknecht	
5,699,565 A	12/1997	Petterborg	
5,774,913 A	7/1998	Allen	
5,946,751 A *	9/1999	DeMay	5/504.1
D472,746 S	4/2003	Hall	
6,834,403 B1 *	12/2004	Elliott	5/505.1
7,096,527 B2	8/2006	Malik	
7,296,311 B1 *	11/2007	Navarrette	5/507.1
7,509,696 B2 *	3/2009	Soto et al.	5/507.1
7,617,552 B2 *	11/2009	Strickland	5/505.1
8,800,079 B1 *	8/2014	Eubank	5/504.1
2009/0235455 A1 *	9/2009	Strickland	5/505.1
2011/0314606 A1 *	12/2011	Tipperreiter	5/505.1

* cited by examiner

Primary Examiner — Karen S Acker

Assistant Examiner — Clare Ann Gannon

(74) *Attorney, Agent, or Firm* — Leyendecker & Lemire, LLC; Kurt Leyendecker

(56) **References Cited**

U.S. PATENT DOCUMENTS

1,577,089 A *	3/1926	Whitford	5/505.1
2,244,310 A *	6/1941	Murphy	5/690
2,562,333 A	7/1951	Ries	
2,976,546 A	3/1961	Owens	
2,979,736 A	4/1961	Kemman	
3,241,159 A	3/1966	Reed	
3,435,469 A	4/1969	Fricke	
3,885,256 A	5/1975	Du Boff	
D251,521 S *	4/1979	Gibson	D6/382
D261,576 S *	11/1981	Heritage	D6/368

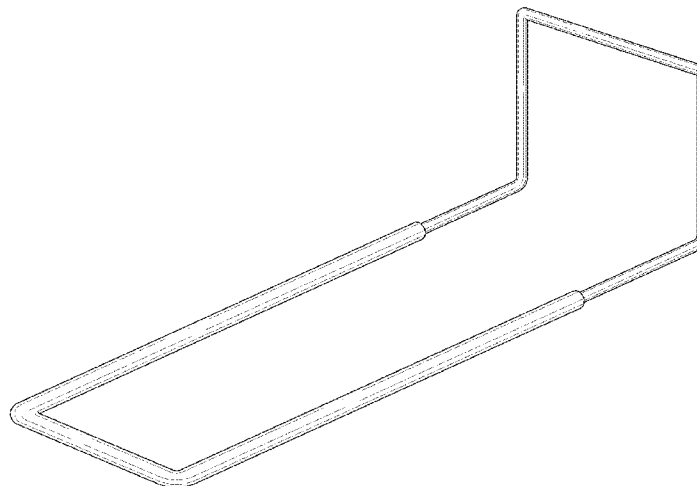
CLAIM

(57) The ornamental design for a bed cover holder, as shown and described.

DESCRIPTION

FIG. 1 is a perspective view of the bed cover holder; FIG. 2 is a side view of the bed cover holder; FIG. 3 is a top view of the bed cover holder; FIG. 4 is a bottom view of the bed cover holder; FIG. 5 is a first end view of the bed cover holder; and, FIG. 6 is a second end view of the bed cover holder.

1 Claim, 5 Drawing Sheets



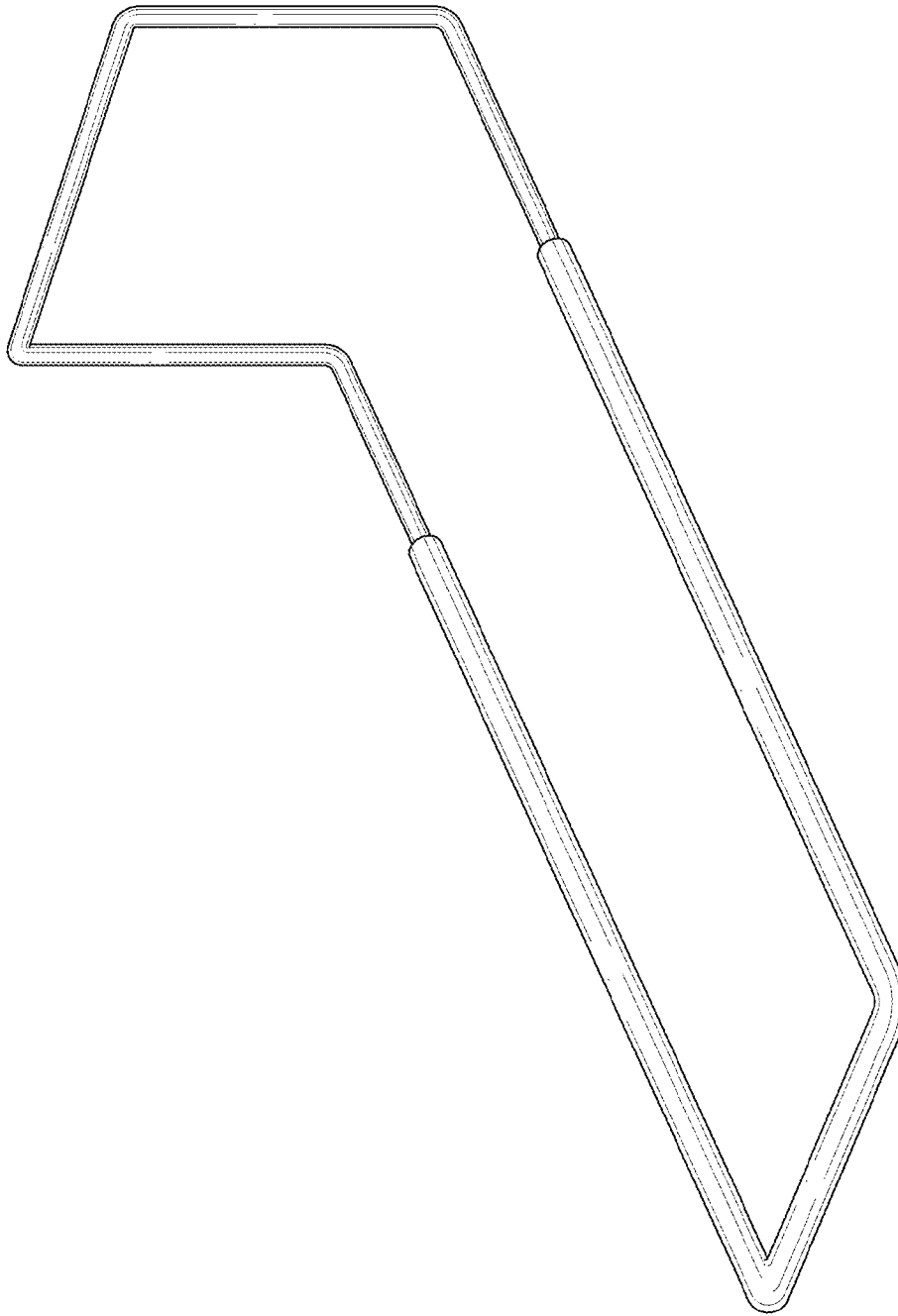


FIG. 1

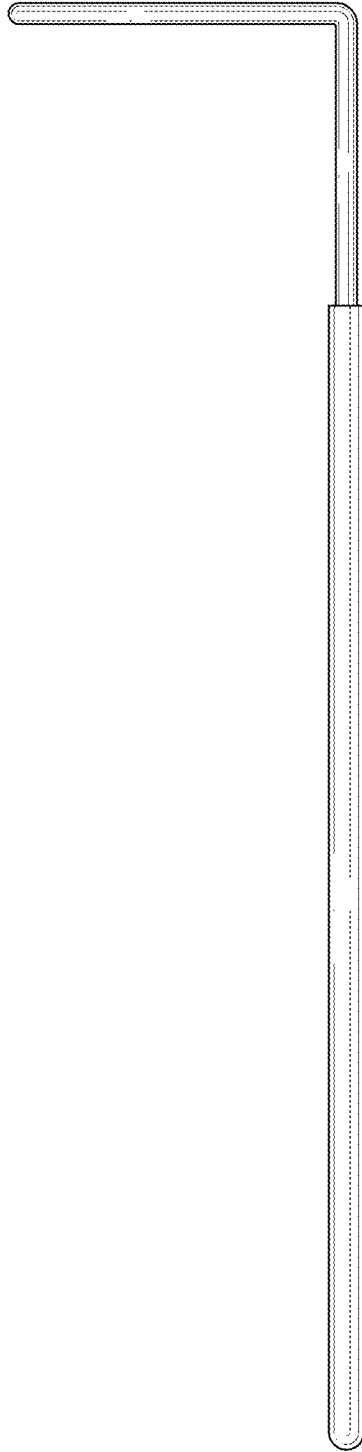


FIG. 2

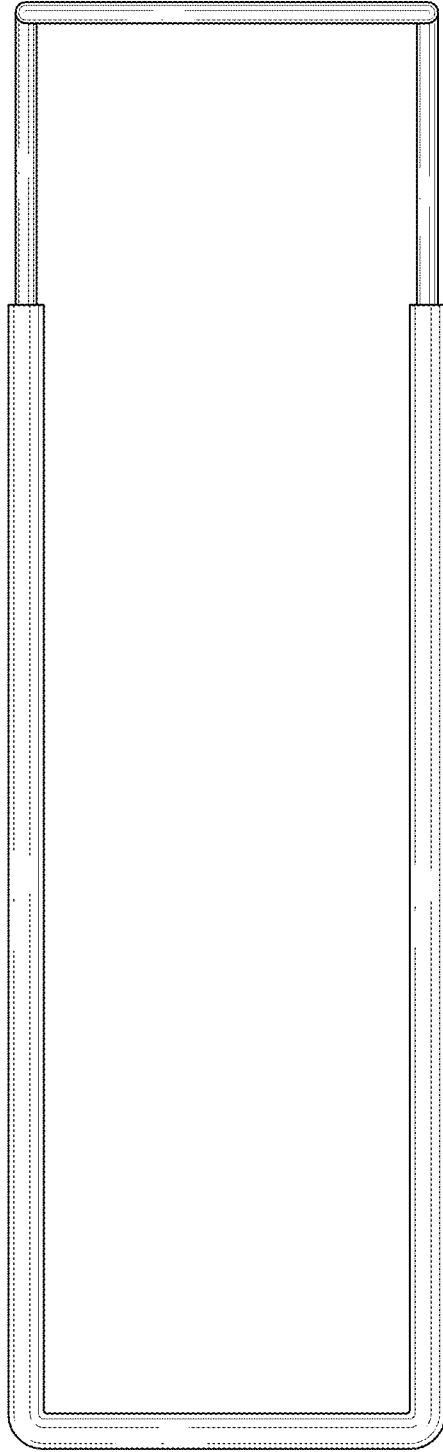


FIG. 3

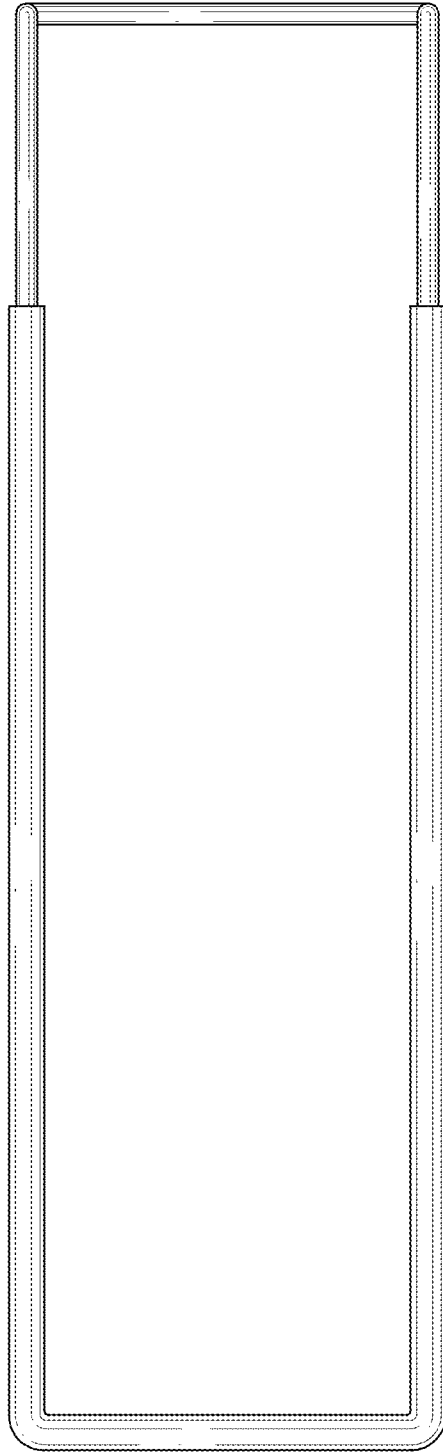


FIG. 4

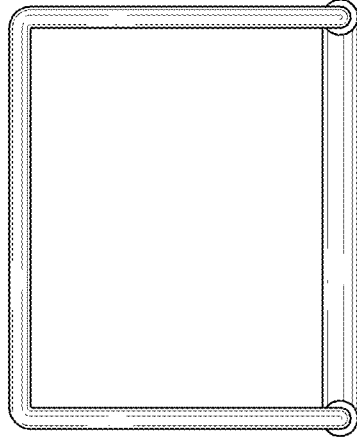


FIG. 6

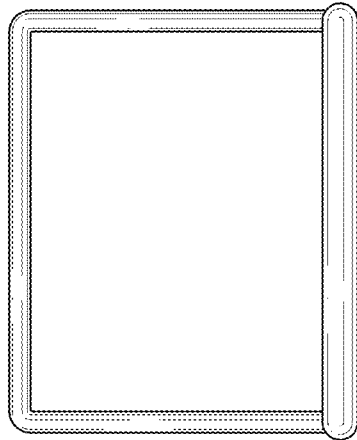


FIG. 5