

(19) World Intellectual Property Organization
International Bureau



(43) International Publication Date
24 January 2002 (24.01.2002)

PCT

(10) International Publication Number
WO 02/05872 A3

(51) International Patent Classification⁷: **A61B 17/14**

(21) International Application Number: PCT/US01/22731

(22) International Filing Date: 18 July 2001 (18.07.2001)

(25) Filing Language: English

(26) Publication Language: English

(30) Priority Data:
09/619,043 18 July 2000 (18.07.2000) US

(71) Applicant: **SPECIALIZED HEALTH PRODUCTS, INC.** [US/US]; 585 West 500 South, Bountiful, UT 84010 (US).

(72) Inventors: **THORNE, Gale, H., Jr.**; Specialized Health Products, Inc., 585 West 500 South, Bountiful, UT 84010 (US). **WILSON, Michael, A.**; Specialized Health Products, Inc., 585 West 500 South, Bountiful, UT 84010 (US). **OWEN, Charles, V.**; Specialized Health Products,

Inc., 585 West 500 South, Bountiful, UT 84010 (US). **THORNE, David, L.**; Specialized Health Products, Inc., 585 West 500 South, Bountiful, UT 84010 (US). **BAGLEY, Chance, B.**; Specialized Health Products, Inc., 585 West 500 South, Bountiful, UT 84010 (US).

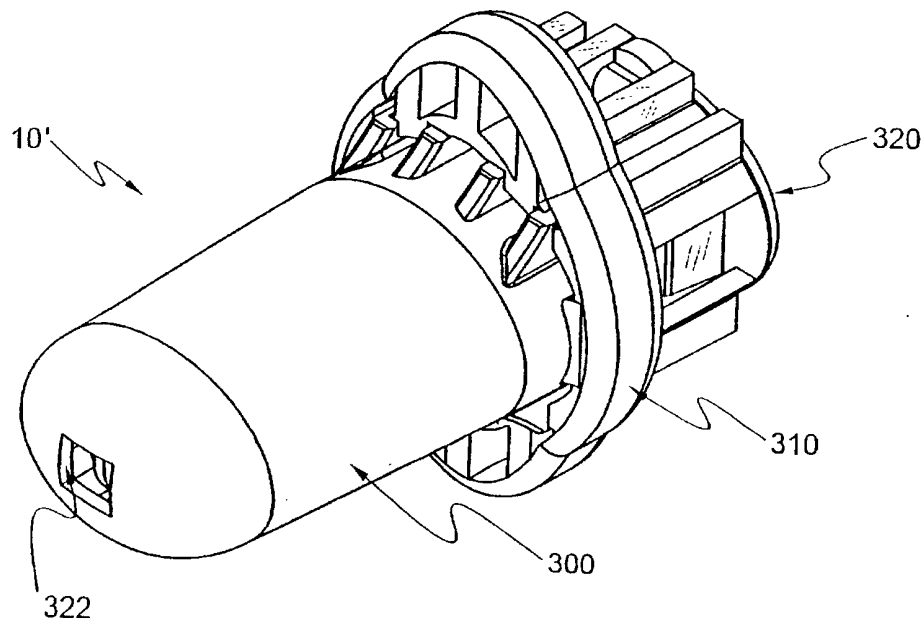
(74) Common Representative: **SPECIALIZED HEALTH PRODUCTS, INC.**; 585 West 500 South, Bountiful, UT 84010 (US).

(81) Designated States (*national*): AE, AG, AL, AM, AT, AU, AZ, BA, BB, BG, BR, BY, BZ, CA, CH, CN, CO, CR, CU, CZ, DE, DK, DM, DZ, EC, EE, ES, FI, GB, GD, GE, GH, GM, HR, HU, ID, IL, IN, IS, JP, KE, KG, KP, KR, KZ, LC, LK, LR, LS, LT, LU, LV, MA, MD, MG, MK, MN, MW, MX, MZ, NO, NZ, PL, PT, RO, RU, SD, SE, SG, SI, SK, SL, TJ, TM, TR, TT, TZ, UA, UG, UZ, VN, YU, ZA, ZW.

(84) Designated States (*regional*): ARIPO patent (GH, GM, KE, LS, MW, MZ, SD, SL, SZ, TZ, UG, ZW), Eurasian patent (AM, AZ, BY, KG, KZ, MD, RU, TJ, TM), European patent (AT, BE, CH, CY, DE, DK, ES, FI, FR, GB, GR, IE, IT, LU, MC, NL, PT, SE, TR), OAPI patent (BF, BJ, CF,

[Continued on next page]

(54) Title: SINGLE STEP DISPOSABLE SAFETY LANCET APPARATUS AND METHODS



(57) Abstract: Lancet apparatus (10, 10', 10'') providing one-step operation is disclosed. In a single operational step requiring only a unidirectional displacement of an actuator into a housing (20, 300, 300'), a lancet apparatus blade (90, 90') is removed from an aseptic environment which protects and retains the lancet apparatus blade (90, 90') in a pre-sterilized state within the housing (20, 300, 300') prior to use, stores energy in an energy storage medium, activates the lancet apparatus blade (90, 90') to perform a lance and safely retracts the lancet apparatus blade (90, 90') into the housing (20, 300, 300').



WO 02/05872 A3



CG, CI, CM, GA, GN, GQ, GW, ML, MR, NE, SN, TD,
TG).

(88) Date of publication of the international search report:

6 June 2002

Published:

— with international search report

For two-letter codes and other abbreviations, refer to the "Guidance Notes on Codes and Abbreviations" appearing at the beginning of each regular issue of the PCT Gazette.

INTERNATIONAL SEARCH REPORT

International application No.
PCT/US01/22731

<p>A. CLASSIFICATION OF SUBJECT MATTER IPC(7) :A61B 17/14 US CL :606/181,182,185 According to International Patent Classification (IPC) or to both national classification and IPC</p>																				
<p>B. FIELDS SEARCHED Minimum documentation searched (classification system followed by classification symbols) U.S. : 606/181,182,185</p> <p>Documentation searched other than minimum documentation to the extent that such documents are included in the fields searched NONE</p> <p>Electronic data base consulted during the international search (name of data base and, where practicable, search terms used) NONE</p>																				
<p>C. DOCUMENTS CONSIDERED TO BE RELEVANT</p> <table border="1"> <thead> <tr> <th>Category*</th> <th>Citation of document, with indication, where appropriate, of the relevant passages</th> <th>Relevant to claim No.</th> </tr> </thead> <tbody> <tr> <td>A</td> <td>US 5,584,846 A (MAWHIRT et al) 17 December 1996, entire document.</td> <td>1-6</td> </tr> <tr> <td>A</td> <td>US 5,569,286 A (PECKHAM et al) 29 October 1996, entire document.</td> <td>1-6</td> </tr> </tbody> </table>			Category*	Citation of document, with indication, where appropriate, of the relevant passages	Relevant to claim No.	A	US 5,584,846 A (MAWHIRT et al) 17 December 1996, entire document.	1-6	A	US 5,569,286 A (PECKHAM et al) 29 October 1996, entire document.	1-6									
Category*	Citation of document, with indication, where appropriate, of the relevant passages	Relevant to claim No.																		
A	US 5,584,846 A (MAWHIRT et al) 17 December 1996, entire document.	1-6																		
A	US 5,569,286 A (PECKHAM et al) 29 October 1996, entire document.	1-6																		
<p><input type="checkbox"/> Further documents are listed in the continuation of Box C. <input type="checkbox"/> See patent family annex.</p>																				
<table border="1"> <thead> <tr> <th>* Special categories of cited documents:</th> <th>"T"</th> <th>later document published after the international filing date or priority date and not in conflict with the application but cited to understand the principle or theory underlying the invention</th> </tr> </thead> <tbody> <tr> <td>"A" document defining the general state of the art which is not considered to be of particular relevance</td> <td>"X"</td> <td>document of particular relevance; the claimed invention cannot be considered novel or cannot be considered to involve an inventive step when the document is taken alone</td> </tr> <tr> <td>"E" earlier document published on or after the international filing date</td> <td>"Y"</td> <td>document of particular relevance; the claimed invention cannot be considered to involve an inventive step when the document is combined with one or more other such documents, such combination being obvious to a person skilled in the art</td> </tr> <tr> <td>"L" document which may throw doubts on priority claim(s) or which is cited to establish the publication date of another citation or other special reason (as specified)</td> <td>"&"</td> <td>document member of the same patent family</td> </tr> <tr> <td>"O" document referring to an oral disclosure, use, exhibition or other means</td> <td></td> <td></td> </tr> <tr> <td>"P" document published prior to the international filing date but later than the priority date claimed</td> <td></td> <td></td> </tr> </tbody> </table>			* Special categories of cited documents:	"T"	later document published after the international filing date or priority date and not in conflict with the application but cited to understand the principle or theory underlying the invention	"A" document defining the general state of the art which is not considered to be of particular relevance	"X"	document of particular relevance; the claimed invention cannot be considered novel or cannot be considered to involve an inventive step when the document is taken alone	"E" earlier document published on or after the international filing date	"Y"	document of particular relevance; the claimed invention cannot be considered to involve an inventive step when the document is combined with one or more other such documents, such combination being obvious to a person skilled in the art	"L" document which may throw doubts on priority claim(s) or which is cited to establish the publication date of another citation or other special reason (as specified)	"&"	document member of the same patent family	"O" document referring to an oral disclosure, use, exhibition or other means			"P" document published prior to the international filing date but later than the priority date claimed		
* Special categories of cited documents:	"T"	later document published after the international filing date or priority date and not in conflict with the application but cited to understand the principle or theory underlying the invention																		
"A" document defining the general state of the art which is not considered to be of particular relevance	"X"	document of particular relevance; the claimed invention cannot be considered novel or cannot be considered to involve an inventive step when the document is taken alone																		
"E" earlier document published on or after the international filing date	"Y"	document of particular relevance; the claimed invention cannot be considered to involve an inventive step when the document is combined with one or more other such documents, such combination being obvious to a person skilled in the art																		
"L" document which may throw doubts on priority claim(s) or which is cited to establish the publication date of another citation or other special reason (as specified)	"&"	document member of the same patent family																		
"O" document referring to an oral disclosure, use, exhibition or other means																				
"P" document published prior to the international filing date but later than the priority date claimed																				
Date of the actual completion of the international search 03 JANUARY 2002		Date of mailing of the international search report 24 JAN 2002																		
Name and mailing address of the ISA/US Commissioner of Patents and Trademarks Box PCT Washington, D.C. 20231 Facsimile No. (703) 305-3230		Authorized officer KEVIN TRUONG Telephone No. (703) 308-0858																		