



(86) Date de dépôt PCT/PCT Filing Date: 2011/11/15
 (87) Date publication PCT/PCT Publication Date: 2012/06/07
 (85) Entrée phase nationale/National Entry: 2013/05/21
 (86) N° demande PCT/PCT Application No.: US 2011/060781
 (87) N° publication PCT/PCT Publication No.: 2012/074738
 (30) Priorités/Priorities: 2010/12/03 (US61/419,587);
 2011/11/14 (US13/295,235)

(51) Cl.Int./Int.Cl. *B01L 3/14* (2006.01)
 (71) Demandeur/Applicant:
 BECTON, DICKINSON AND COMPANY, US
 (72) Inventeurs/Inventors:
 BARTFELD, BENJAMIN R., US;
 ELLIS, ROBERT G., US;
 GOLABEK, ROBERT S., JR., US;
 DUBROWNY, NANCY, US;
 PARMAR, GIRISH, US;
 HOLMES, PAUL, US;
 DELK, MICHAEL, US;
 BLEKHER, ALEX, US
 (74) Agent: PIASETZKI NENNIGER KVAS LLP

(54) Titre : ENSEMBLE RECIPIENT DE COLLECTE D'ECHANTILLONS
 (54) Title: SPECIMEN COLLECTION CONTAINER ASSEMBLY

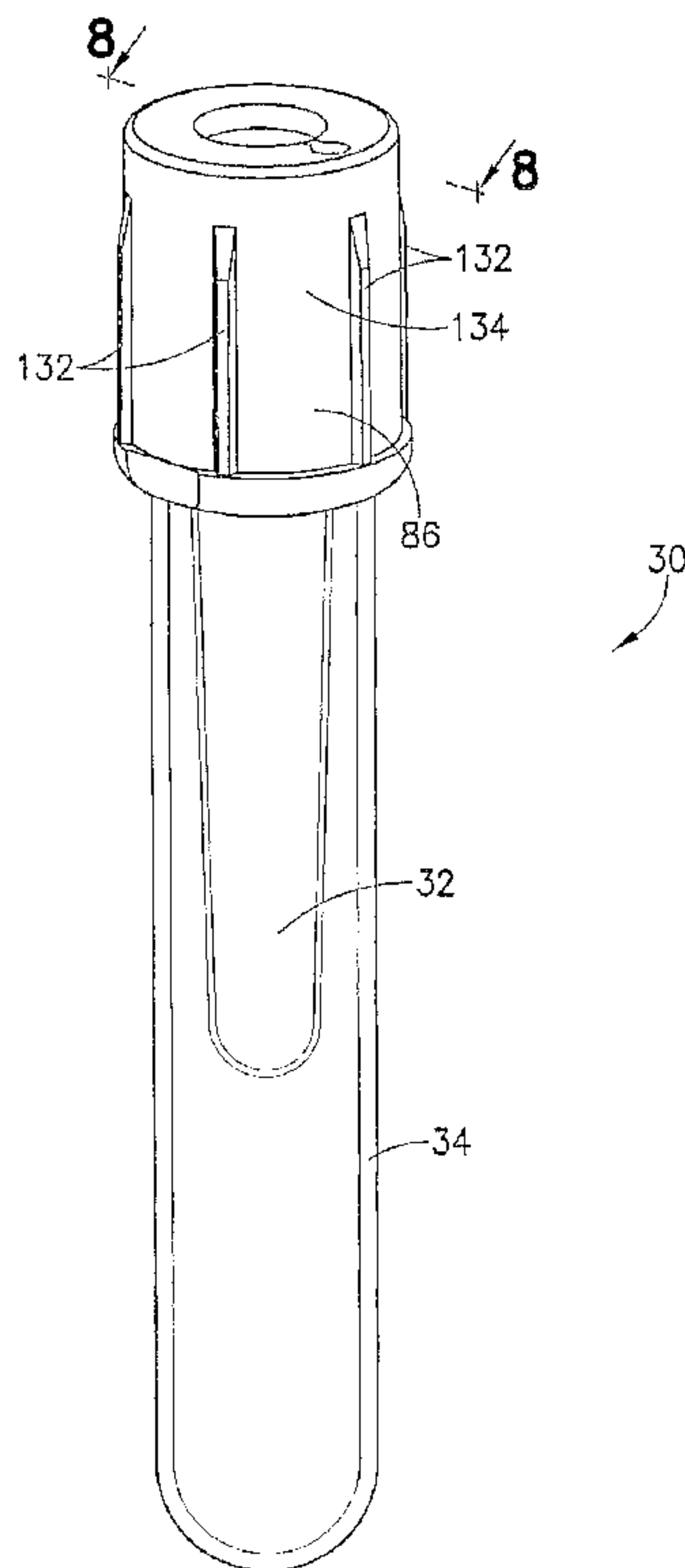


FIG. 1

(57) Abrégé/Abstract:

A specimen collection container includes inner and outer tubes. The inner tube includes a bottom end, a top end, and a sidewall extending therebetween defining an interior. The sidewall includes an inner surface and an outer surface having at least one



(57) **Abrégé(suite)/Abstract(continued):**

annular protrusion extending therefrom. The inner tube includes at least one funnel portion adjacent the top end for directing a specimen into the inner tube interior, and an annular ring disposed about a portion of the outer surface of the sidewall adjacent the top end. The outer tube includes a bottom end, a top end, and a sidewall extending therebetween, the sidewall having an outer surface and an inner surface defining an annular recess adapted to receive a portion of the annular protrusion therein. The inner tube is disposed within the outer tube and a portion of the top end of the outer tube abuts the annular ring.

(12) INTERNATIONAL APPLICATION PUBLISHED UNDER THE PATENT COOPERATION TREATY (PCT)

(19) World Intellectual Property
Organization
International Bureau(43) International Publication Date
7 June 2012 (07.06.2012)(10) International Publication Number
WO 2012/074738 A1

- (51) **International Patent Classification:**
B01L 3/14 (2006.01)
- (21) **International Application Number:**
PCT/US2011/060781
- (22) **International Filing Date:**
15 November 2011 (15.11.2011)
- (25) **Filing Language:** English
- (26) **Publication Language:** English
- (30) **Priority Data:**
61/419,587 3 December 2010 (03.12.2010) US
13/295,235 14 November 2011 (14.11.2011) US
- (71) **Applicant (for all designated States except US):** **BEC-
TON, DICKINSON AND COMPANY** [US/US]; 1 Bec-
ton Drive, Franklin Lakes, New Jersey 07417 (US).
- (72) **Inventors; and**
- (75) **Inventors/Applicants (for US only):** **BARTFELD, Ben-
jamin, R.** [US/US]; 58 Bear Mountain Rd., Ringwood,
New Jersey 07456 (US). **ELLIS, Robert, G.** [US/US]; 177
Linden Road, Wayne, New Jersey 07470 (US). **GOLABEK, Robert, S., JR.** [US/US]; 8 Hewlett Road,
Towaco, New Jersey 07082 (US). **DUBROWNY, Nancy**
[US/US]; Hartman Avenue 38, Garfield, New Jersey 07026
(US). **PARMAR, Girish** [GB/US]; 2960 Lambert Court,
Easton, Pennsylvania 18040 (US). **HOLMES, Paul**
[US/US]; 58 East 7th Street, Apt. 4, New York, New York
10003 (US). **DELK, Michael** [US/US]; 35 Manor Drive,
Andover, New Jersey 07821 (US). **BLEKHER, Alex**
[US/US]; 74 Rose Morrow Road, Sussex, New Jersey
07461 (US).
- (74) **Agents:** **MILES, Kirk, M.** et al.; The Webb Law Firm,
One Gateway Center, 420 Fort Duquesne Boulevard, Suite
1200, Pittsburgh, Pennsylvania 15222 (US).
- (81) **Designated States (unless otherwise indicated, for every
kind of national protection available):** AE, AG, AL, AM,
AO, AT, AU, AZ, BA, BB, BG, BH, BR, BW, BY, BZ,
CA, CH, CL, CN, CO, CR, CU, CZ, DE, DK, DM, DO,
DZ, EC, EE, EG, ES, FI, GB, GD, GE, GH, GM, GT, HN,
HR, HU, ID, IL, IN, IS, JP, KE, KG, KM, KN, KP, KR,
KZ, LA, LC, LK, LR, LS, LT, LU, LY, MA, MD, ME,

[Continued on next page]

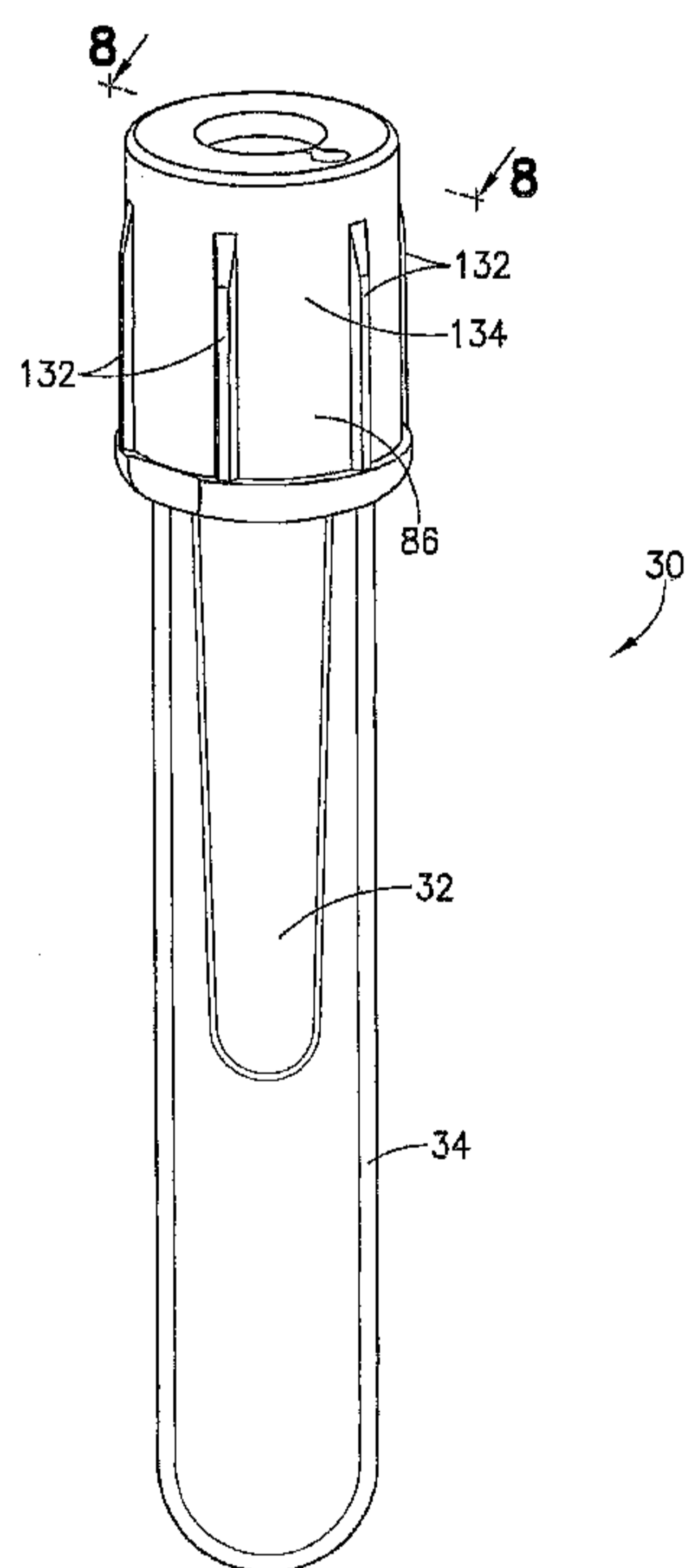
(54) **Title:** SPECIMEN COLLECTION CONTAINER ASSEMBLY

FIG. 1

(57) **Abstract:** A specimen collection container includes inner and outer tubes. The inner tube includes a bottom end, a top end, and a sidewall extending therebetween defining an interior. The sidewall includes an inner surface and an outer surface having at least one annular protrusion extending therefrom. The inner tube includes at least one funnel portion adjacent the top end for directing a specimen into the inner tube interior, and an annular ring disposed about a portion of the outer surface of the sidewall adjacent the top end. The outer tube includes a bottom end, a top end, and a sidewall extending therebetween, the sidewall having an outer surface and an inner surface defining an annular recess adapted to receive a portion of the annular protrusion therein. The inner tube is disposed within the outer tube and a portion of the top end of the outer tube abuts the annular ring.

WO 2012/074738 A1 

MG, MK, MN, MW, MX, MY, MZ, NA, NG, NI, NO, NZ, OM, PE, PG, PH, PL, PT, QA, RO, RS, RU, RW, SC, SD, SE, SG, SK, SL, SM, ST, SV, SY, TH, TJ, TM, TN, TR, TT, TZ, UA, UG, US, UZ, VC, VN, ZA, ZM, ZW.

RU, TJ, TM), European (AL, AT, BE, BG, CH, CY, CZ, DE, DK, EE, ES, FI, FR, GB, GR, HR, HU, IE, IS, IT, LT, LU, LV, MC, MK, MT, NL, NO, PL, PT, RO, RS, SE, SI, SK, SM, TR), OAPI (BF, BJ, CF, CG, CI, CM, GA, GN, GQ, GW, ML, MR, NE, SN, TD, TG).

(84) Designated States (*unless otherwise indicated, for every kind of regional protection available*): ARIPO (BW, GH, GM, KE, LR, LS, MW, MZ, NA, RW, SD, SL, SZ, TZ, UG, ZM, ZW), Eurasian (AM, AZ, BY, KG, KZ, MD,

Published:

— *with international search report (Art. 21(3))*

SPECIMEN COLLECTION CONTAINER ASSEMBLY

CROSS-REFERENCE TO RELATED APPLICATION

[0001] This application claims priority to United States Provisional Patent Application No. 61/419,587, filed December 3, 2010, entitled "Specimen Collection Container Assembly", the entire disclosure of which is herein incorporated by reference.

BACKGROUND OF THE INVENTION

Field of the Invention

[0002] The present invention relates to a specimen collection container assembly and, more particularly, to a specimen collection container assembly having improved sterility and suitable for use with automated clinical processes.

Description of Related Art

[0003] Medical capillary collection containers have historically been used for the collection of specimens, such as blood and other bodily fluids, for the purpose of performing diagnostic tests. Many of these capillary collection containers include a scoop or funnel for directing a specimen into the collection container. In most cases, capillary specimen collection containers are not sterile. In order to improve specimen quality, there is a desire for capillary collection devices to be sterile. In addition, there is a further desire to provide a capillary collection device in which the scoop or funnel is maintained in a sterile condition prior to use. Once a specimen is deposited within the specimen collection container, it is often desirable to maintain the specimen in a pristine condition prior to the performance of the intended diagnostic testing procedure.

[0004] In addition, clinical laboratory processes using specimen collection containers have become increasingly automated. As such, many conventional capillary specimen collection containers are not compatible with automated front end processes used to prepare a specimen for proper analysis, such as sorting specimen collection containers by type and/or contents, accessorizing specimen collection containers superficially or with additives specific to the contents of the specimen collection container, centrifugation, vision based specimen quality analysis, serum level analysis, decapping, aliquoting, and automated labeling of secondary tubes. In addition, many conventional capillary specimen collection containers are not compatible with automated analyzing procedures and are not dimensioned to accommodate automated diagnostic and/or analyzing probes or other specimen extraction equipment.

Further, many conventional capillary specimen collection containers are not compatible with certain automated back end processes employed after a specimen is analyzed, such as resealing, storage, and retrieval.

SUMMARY OF THE INVENTION

[0005] Accordingly, a need exists for a capillary specimen collection container having improved sealing mechanisms for maintaining the sterility of the interior of the specimen collection container and/or the interior and exterior of the scoop or funnel. It is also desirable to maintain the purity of the specimen deposited within the specimen collection container prior to performance of a testing procedure.

[0006] In addition, a further need exists for a specimen collection container that is compatible with automated clinical laboratory processes, including front end automation, automated analyzers, and/or back end automation.

[0007] In accordance with an embodiment of the present invention, a specimen collection container includes an inner tube having a closed bottom end, a top end, and a sidewall extending therebetween defining an inner tube interior. The sidewall includes an inner surface and an outer surface having at least one annular protrusion extending therefrom. The inner tube also includes at least one funnel portion adjacent the top end for directing a specimen into the inner tube interior, and an annular ring disposed about a portion of the outer surface of the sidewall adjacent the top end. The specimen collection container also includes an outer tube including a bottom end, a top end, and a sidewall extending therebetween. The sidewall includes an outer surface and an inner surface defining an annular recess adapted to receive at least a portion of the annular protrusion therein. The inner tube is disposed at least partially within the outer tube and a portion of the top end of the outer tube abuts the annular ring.

[0008] In certain configurations, the inner tube and the outer tube are co-formed. The open top end of the inner tube may include a second funnel, such that the second funnel is substantially opposite the funnel. Optionally, at least one of the sidewall of the inner tube and the sidewall of the outer tube includes at least one fill-line. In other configurations, the closed bottom end of the outer tube includes at least one vent for venting air from the space defined between the inner surface of the outer tube and the outer surface of the inner tube. The outer surface of the inner tube may include at least one stabilizer extending therefrom for contacting a portion of the inner surface of the outer tube. In certain configurations, the inner tube completely seals the top end of the outer tube.

[0009] In further configurations, the specimen collection container may include a specimen collection cap sealing at least one of the top end of the inner tube and the top end of the outer tube. The specimen collection cap may include a top surface, an annular shoulder depending therefrom, and an annular interior wall depending from the top surface with the annular shoulder circumferentially disposed about the annular interior wall. A tube receiving portion may be defined between the annular shoulder and the annular interior wall, and at least a portion of the funnel may be received within the tube receiving portion.

[0010] In still further configurations, the annular shoulder may include an inner surface having a first protrusion extending therefrom into the tube receiving portion, and a second protrusion extending therefrom into the tube receiving portion, the first protrusion being laterally offset from the second protrusion. Additionally, a protrusion may be disposed on the outer surface of at least one of the inner tube and the outer tube, with the protrusion positioned between the first protrusion and the second protrusion of the annular shoulder when the specimen collection cap seals at least one of the top end of the inner tube and the top end of the outer tube. The inner surface of the annular shoulder may also include a third protrusion disposed about a bottom end of the specimen collection cap extending into the tube receiving portion for contacting a portion of the sidewall of at least one of the inner tube and the outer tube.

[0011] The specimen collection cap may also include an elastomeric stopper at least partially surrounded by the interior annular wall. The elastomeric stopper may be self-sealing. The elastomeric stopper may include a concave receiving surface adjacent the top surface of the specimen collection cap for directing an instrument to the apex of the concave receiving surface. Optionally, the elastomeric stopper may include an inverted receiving surface adjacent a bottom end of the specimen collection cap. The specimen collection cap may also include a plurality of ribs extending along a portion of an exterior surface of the annular shoulder.

[0012] In one configuration, the specimen collection cap includes a top surface and an annular shoulder depending therefrom having an inner surface, wherein at least a portion of the inner surface of the annular shoulder and the outer surface of the inner tube interact to form a seal. The seal may include a tortuous fluid path.

[0013] In another configuration, the specimen collection cap includes a top surface and an annular shoulder depending therefrom having an inner surface, wherein at least a portion of the inner surface of the annular shoulder and the outer surface of the outer tube interact to form a seal. The seal may include a tortuous fluid path.

BRIEF DESCRIPTION OF THE DRAWINGS

[0014] **FIG. 1** is a frontwardly directed perspective view of a specimen collection container assembly in accordance with an embodiment of the present invention.

[0015] **FIG. 2** is a perspective view of the cap of the specimen collection container assembly shown in **FIG. 1** in accordance with an embodiment of the present invention.

[0016] **FIG. 3** is a cross-sectional view of the cap shown in **FIG. 2** taken along line 3-3 in accordance with an embodiment of the present invention.

[0017] **FIG. 4** is a front view of the inner tube having a funnel of the specimen collection container shown in **FIG. 1** in accordance with an embodiment of the present invention.

[0018] **FIG. 5** is a front view of an alternative inner tube having dual funnels of the specimen collection container shown in **FIG. 1** in accordance with an embodiment of the present invention.

[0019] **FIG. 6** is a front view of the outer tube of the specimen collection container shown in **FIG. 1** in accordance with an embodiment of the present invention.

[0020] **FIG. 7** is a front view of an alternative outer tube having an annular protrusion of the specimen collection container shown in **FIG. 1** in accordance with an embodiment of the present invention.

[0021] **FIG. 8** is a cross-sectional side view of the specimen collection container assembly shown in **FIG. 1** taken along line 8-8 in accordance with an embodiment of the present invention.

[0022] **FIG. 9** is a close-up cross-sectional view of the cap shown in **FIG. 8** taken along segment 9 in accordance with an embodiment of the present invention.

[0023] **FIG. 10** is a frontwardly directed perspective view of an alternative embodiment of a specimen collection container assembly in accordance with an embodiment of the present invention.

[0024] **FIG. 11** is a perspective view of the cap of the specimen collection container assembly shown in **FIG. 10** in accordance with an embodiment of the present invention.

[0025] **FIG. 12** is a cross-sectional view of the cap shown in **FIG. 11** taken along line 12-12 in accordance with an embodiment of the present invention.

[0026] **FIG. 13** is a cross-sectional side view of the specimen collection container assembly shown in **FIG. 10** taken along line 13-13 in accordance with an embodiment of the present invention.

[0027] **FIG. 14** is a close-up cross-sectional view of the cap shown in **FIG. 13** taken along segment 14 in accordance with an embodiment of the present invention.

[0028] FIG. 15 is a frontwardly directed perspective view of an alternative embodiment of a specimen collection container assembly in accordance with an embodiment of the present invention.

[0029] FIG. 16 is a cross-sectional side view of the specimen collection container assembly shown in FIG. 15 taken along line 16-16 in accordance with an embodiment of the present invention.

[0030] FIG. 17 is a close-up cross-sectional view of the cap shown in FIG. 16 taken along segment 17 in accordance with an embodiment of the present invention.

[0031] FIG. 18 is a frontwardly directed perspective view of an alternative embodiment of a specimen collection container assembly in accordance with an embodiment of the present invention.

[0032] FIG. 19 is a perspective view of the cap of the specimen collection container assembly shown in FIG. 18 in accordance with an embodiment of the present invention.

[0033] FIG. 20 is a cross-sectional view of the cap shown in FIG. 19 taken along line 20-20 in accordance with an embodiment of the present invention.

[0034] FIG. 21 is a cross-sectional side view of the specimen collection container assembly shown in FIG. 18 taken along line 21-21 in accordance with an embodiment of the present invention.

[0035] FIG. 22 is a close-up cross-sectional view of the cap shown in FIG. 21 taken along segment 22 in accordance with an embodiment of the present invention.

DETAILED DESCRIPTION

[0036] As shown in FIG. 1, a specimen collection container assembly 30, such as a biological fluid collection container, includes an inner tube 32, an outer tube 34, and a specimen cap 86. The inner tube 32, as shown in FIGS. 4-5, is used for the collection and containment of a specimen, such as capillary blood or other bodily fluid, for subsequent testing procedures and diagnostic analysis. The outer tube 34, as shown in FIGS. 6-7, acts primarily as a carrier for the inner tube 32, providing additional protection for the contents of the inner tube 32 as well as providing external dimensions that are compatible with standard automated clinical laboratory processes, such as Clinical Laboratory Automation. The specimen cap 86, as shown in FIGS. 2-3, provides a means for a user to access the inner tube 32 to obtain the specimen deposited therein, and also provides a leak proof seal with the inner tube 32 upon replacement of the specimen cap 86, as will be discussed herein.

[0037] Referring specifically to **FIGS. 4-5**, the inner tube **32** includes an open top end **38**, a closed bottom end **40**, and a sidewall **42** extending therebetween defining an inner tube interior **44** adapted to receive a specimen therein. Referring to **FIG. 4**, the open top end **38** may include at least one funnel **46** or scoop portion for facilitating and directing a specimen into the interior **44** of the inner tube **32**. The funnel **46** includes at least one introducing surface **48** having a curvature for guiding a specimen down the funnel **46** and into the interior **44** of the inner tube **32**. In use, the funnel **46** may be placed adjacent a specimen and used to “scoop” the specimen into the inner tube **32**. In certain instances the funnel **46** may be placed adjacent a patient’s fingertip, and the funnel **46** may be used to scoop capillary blood into the inner tube **32**.

[0038] Referring to **FIG. 5**, in other configurations, the open top end **38** of the inner tube **32** may include dual funnels **46A, 46B**. The dual funnels **46A, 46B** may be offset, such that the curvature of the introducing surface **48A** of the first funnel **46A** faces the corresponding curvature of the introducing surface **48B** of the second funnel **46B**, thereby forming a finger receiving surface **50**. In use, a patient’s finger tip may be placed in contact with the finger receiving surface **50** for directing capillary blood into the interior **44** of the inner tube **32**.

[0039] The inner tube **32** may also include an annular ring **52** disposed about a portion of the sidewall **42**. In certain configurations, the annular ring **52** is disposed adjacent the open top end **38** and extends outwardly from an exterior surface **54** of the sidewall **42**. The inner tube **32** may further include an annular protrusion **68** extending outwardly from the exterior surface **54** of the sidewall **42**. In another embodiment, the annular protrusion **68** may extend inwardly into an interior of the inner tube **32**. In certain configurations, the annular protrusion **68** may be positioned below the annular ring **52**.

[0040] The open top end **38** of the inner tube **32** may be adapted to provide a sufficiently wide opening to allow standard diagnostic and sampling probes, needles, and/or similar extraction or deposition devices to enter the open top end **38** and access the interior **44** for the purpose of depositing a specimen therein or withdrawing a specimen therefrom. In one embodiment, the interior **44** of the inner tube **32** may include at least one angled directing surface **58** for directing a standard instrument probe or other device toward the closed bottom end **40** of the inner tube **32**. In certain configurations it is desirable for both the introducing surface **48** of the funnel **46** and the angled directing surface **58** to be smooth and gradual surfaces to promote the flow of specimen into the interior **44** of the inner tube **32**.

[0041] In one embodiment, the dimensions of the inner tube **32** are balanced such that the open top end has an opening having a sufficient width **W**, as shown in **FIG. 4**, to allow a

standard instrument probe to pass therethrough, and also to have an inner tube diameter **D** sufficient to provide the greatest column height of a specimen disposed within the interior **44** of the inner tube **32**.

[0042] During a sampling procedure, an increased specimen column height within the inner tube **32**, provides for a greater volume of specimen that may be retrieved or extracted by an analyzer probe (not shown).

[0043] At least one stabilizer **56** may be provided on the exterior surface **54** of the sidewall **42**. The stabilizer **56**, as shown in **FIGS. 4-5**, may have any suitable shape such that an outer surface **59** contacts at least a portion of the outer tube **34**, as shown in **FIGS. 6-7**. Referring to **FIGS. 6-7**, the outer tube **34** has an open top end **60**, a closed bottom end **62**, and a sidewall **64** extending therebetween and forming an outer tube interior **66**. The sidewall **64** of the outer tube **34** includes an inner surface **72** and an outer surface **74** and may include at least one recess **70** extending into a portion of the sidewall **64**, such as into the inner surface **72** of a portion of the sidewall **64** adjacent the open top end **60**. The recess **70** is adapted to receive at least a portion of the annular protrusion **68** of the inner tube **32** therein during assembly.

[0044] Referring to **FIG. 7**, the outer surface **74** may also include an annular ring **76** extending outwardly from the outer surface **74** of the sidewall **64** adjacent the open top end **60**. In certain configurations, the annular ring **76** is positioned below the recess **70** along the sidewall **64**.

[0045] Referring again to **FIGS. 6-7**, the outer tube **34** is dimensioned to receive the inner tube, as shown in **FIGS. 4-5** at least partially therein, as shown in **FIGS. 8-9**. In one embodiment, the outer tube **34** has sufficient inner dimensions to accommodate the inner tube **32** therein. During assembly, the inner tube **32** may be at least partially positioned within the outer tube **34** such that an upper end **78** of the outer tube **34** abuts the annular ring **52** of the inner tube **32** allowing for a receiving portion of the inner tube having a length **L**, shown in **FIG. 4**, to be received within the outer tube interior **66**, as shown in **FIG. 8**. Referring specifically to **FIG. 4**, the receiving portion of the inner tube **32** has a diameter **D₁** that is dimensioned for receipt within the outer tube interior **66** and is smaller than the inner diameter **D₃** of the outer tube **34**, as shown in **FIG. 6**. The annular ring **52** of the inner tube **32** is dimensioned to restrain any further portion of the inner tube **32** from passing within the outer tube **34** and has a diameter **D₂**, shown in **FIG. 4**, that is greater than the inner diameter **D₃** of the outer tube **34**. As described above, during assembly the recess **70** of the outer tube

34 is adapted to receive at least a portion of the annular protrusion **68** of the inner tube **32** therein, as shown in **FIGS. 8-9**.

[0046] Although the inner tube **32** and the outer tube **34** may have any suitable dimensions, the inner tube may have an overall length L_2 of about 48 mm, as shown in **FIG. 5**, and have an inner tube diameter D of about 7 mm, as shown in **FIG. 4**. The outer tube **34** may have any suitable dimensions that are compatible with standard industry specifications for automated clinical processes, such as having an overall length L_3 of about 69 mm, as shown in **FIG. 6**, and an outer diameter D_4 of about 13 mm. The outer tube **34** may also be dimensioned to accommodate standard size labels applied to the outer surface **74** and may be dimensioned to improve manipulation by a clinician. This can be particularly advantageous when collecting small volume samples of specimen. A clinician can manipulate the outer tube **34**, which is significantly easier to hold, while collecting a small volume specimen within the inner tube **32** disposed within the outer tube **34**. When the inner tube **32** and the outer tube **34** are assembled, the overall length L_5 may be the industry standard length of 75 mm, as shown in **FIG. 8**, or an industry standard length of 100 mm.

[0047] In one embodiment, the inner tube **32** and the outer tube **34** may be in-molded in which both the inner tube **32** and the outer tube **34** are molded in the same press and assembled, as opposed to being separately molded and subsequently assembled. Alternatively, the inner tube **32** and the outer tube **34** may be press-fit within the same forming process. By forming both the inner tube **32** and the outer tube **34** together, the tolerances of the relative engagement between the inner tube **32** and the outer tube **34** may be improved because the relative rate of shrink is the same for both tubes. In certain configurations, the inner tube **32** and the outer tube **34** may be formed of the same material, such as polypropylene and/or polyethylene. In other configurations, the inner tube **32** and the outer tube **34** may be formed of two different polymeric materials. In certain embodiments it is noted that an assembly having an inner tube **32** and an outer tube **34** having thin walls allows for optical clarity of the sample when viewed by an automated vision system, assisting in sample and quality detection. In addition, increased optical clarity may assist a medical practitioner during collection of a specimen.

[0048] During assembly and/or formation of the inner tube **32** and the outer tube **34**, air may become trapped between the inner surface **72** of the outer tube **34** and the exterior surface **54** of the sidewall **42** of the inner tube **32**. Accordingly, the bottom end **62** of the outer tube **34** may include a vent **80**, as shown in **FIG. 7**, for allowing air trapped between the inner surface of the outer tube **34** and the exterior surface **54** of the sidewall **42** of the

inner tube 32 to escape therethrough. In certain configurations, the vent 80 may also assist in the molding process of the inner tube 32 by locking the core pin of the mold during the molding process to prevent relative shifting between the outer tube 34 and the formation of the inner tube 32.

[0049] In one embodiment of the present invention, at least one of the inner tube 32 and the outer tube 34 include at least one fill-line 82, shown in FIGS. 4-5, for allowing a clinician to determine the volume of specimen within the inner tube 32. In another embodiment, at least one of the inner tube 32 and the outer tube 34 includes a colored or light blocking additive 84, as shown in FIG. 8. The additive may allow sufficient light to pass through the sidewall 42 of the inner tube 32 to allow a clinician to visualize the contents of the interior 44 of the inner tube 32, and to also prevent enough light from passing through the sidewall 42 of the inner tube 32 to compromise or otherwise alter the contents of the inner tube 32. This application is particularly useful for specimens collected for light sensitive analytes, such as Bilirubin, as light degrades the specimen quality required for this testing procedure. In one embodiment, the additive may be sprayed, coated, or in-molded with at least one of the inner tube 32 and the outer tube 34. In another embodiment, the additive is intended to block only certain wavelengths of light from passing through the sidewall 42 of the inner tube 32.

[0050] Referring to FIGS. 2-3, a specimen collection cap 86 is provided for sealing the open top end 38 of the inner tube 32 and/or the open top end 60 of the outer tube 34. In one embodiment, once the inner tube 32 and the outer tube 34 are assembled, the open top end 60 of the outer tube 34 is sealed by the open top end 38 of the inner tube 32, specifically by the annular ring 52 of the inner tube 32. Accordingly, in this configuration the specimen collection cap 86 may only seal the open top end 38 of the inner tube 32 but effectively seals the open top end 60 of the outer tube 34 as well. The specimen collection cap 86 includes a top surface 88 and an annular shoulder 90 depending therefrom. The specimen collection cap 86 may also include an annular interior wall 92 depending from the top surface 88, with the annular shoulder 90 circumferentially disposed about the annular interior wall 92 and spaced therefrom by a tube receiving portion 94.

[0051] In one embodiment, an elastomeric stopper or pierceable septum 96 may be disposed at least partially within the annular interior wall 92 and extending therebetween forming a sealing body within the specimen collection cap 86. In one embodiment, the pierceable septum 96 is formed from a thermoplastic elastomer (TPE). The pierceable septum 96 may be pierced by a needle cannula or probe, as is conventionally known, and may be self-sealing. The pierceable septum 96 may be formed through an offset flow channel 98,

as is described in United States Patent Publication No. 2009/0308184, the entire disclosure of which is hereby incorporated by reference. The pierceable septum **96** may include a concave receiving surface **100** adjacent the top surface **88** for directing an instrument, such as a needle cannula or a probe, to the apex **102** of the concave receiving surface **100**. This allows a clinician to more easily determine proper placement of the needle cannula or probe for puncturing the pierceable septum **96**. An opening **104** within the top surface **88** of the specimen collection cap **86** may also be dimensioned to accommodate standard clinical probes and needle cannulae for both hematology and chemistry analysis therethrough. The pierceable septum **96** also includes a specimen directing surface **106** for funneling a specimen into an apex **108** of the specimen collection cap **86** when the specimen collection container assembly **30**, shown in **FIG. 1**, is inverted for specimen withdrawal, as is described in United States Patent Publication No. 2009/0308184.

[0052] Referring again to **FIG. 3**, the annular interior wall **92** may have an inner surface **110** contacting the pierceable septum **96**. A portion of the inner surface **110** of the annular interior wall **92** may include a septum restraining portion **112** for preventing the inadvertent advancement of the pierceable septum **96** through the specimen collection cap **86** when pressure is applied to the pierceable septum **96** by a needle cannula or probe. The septum restraining portion **112** extends at least partially into the pierceable septum **96** for creating a physical restraint therebetween.

[0053] The annular shoulder **90** of the specimen collection cap **86** has an inner surface **114** having a first protrusion **116** extending from the inner surface **114** into the tube receiving portion **94**, and a second protrusion **118** extending from the inner surface **114** into the tube receiving portion **94**. The first protrusion **116** is spaced apart from the second protrusion **118**, such as laterally offset therefrom along a portion of the inner surface **114** of the annular shoulder **90**. The first protrusion **116** and the second protrusion **118** may extend annularly into the tube receiving portion **94**.

[0054] As shown in **FIGS. 8-9**, when the specimen collection cap **86** and the inner tube **32** and outer tube **34** are combined, the annular shoulder **90** is positioned over the exterior surface **54** of the sidewall **42** of the inner tube **32** and the outer surface **74** of the sidewall **64** of the outer tube **34**. The pierceable septum **96** contacts and forms a barrier seal **122** with a portion of the interior **44** of the inner tube **32**, thereby sealing the interior **44** from the external atmosphere. The funnel **46**, and portions of the open top end **38** of the inner tube **32** and the portions of the open top end **60** of the outer tube **34** are received within the tube receiving portion **94**. The first protrusion **116** and the second protrusion **118** form a first recess **120**

therebetween for accommodating the annular ring 52 of the inner tube 32 therein, thereby forming a first seal 124 between the specimen collection cap 86 and the inner tube 32.

[0055] Referring again to FIG. 3, the specimen collection cap 86 may also include a third protrusion 126 extending from the inner surface 114 of the annular shoulder 90 into the tube receiving portion 94. The third protrusion 126 may extend annularly into the tube receiving portion 94 and may be provided adjacent a bottom end 128 of the annular shoulder 90. Referring again to FIG. 9, when the specimen collection cap 86, inner tube 32, and outer tube 34 are combined, the third protrusion 126 may engage a portion of the outer surface 74 of the sidewall 64 of the outer tube 34 forming a second seal 130.

[0056] The barrier seal 122 formed between the pierceable septum 96 and the interior 44 of the inner tube 32 maintains the interior 44 in a sterile condition prior to receipt of a specimen therein. The barrier seal 122 also maintains the condition of the specimen present within the inner tube 32 after recapping or re-sealing of the pierceable septum 96. The first seal 124 and the second seal 130 form a tortuous path between the external atmosphere and the barrier seal 122 further enhancing the overall sealing system of the specimen collection container assembly 30, shown in FIG. 1. In addition, the first seal 124 and the second seal 130 maintain the funnel 46 in a sterile condition prior to use.

[0057] Optionally, as shown in FIGS. 1-2, the annular shoulder 90 of the specimen collection cap 86 may include a plurality of ribs 132 extending along a portion of an exterior surface 134 of the annular shoulder 90. These ribs 132 may be used to help identify the intended contents of the inner tube 32, additives and/or amounts of additives present within the inner tube 32, and/or the intended testing procedure to be performed on the contents of the inner tube 32.

[0058] With reference to FIGS. 10-14, an alternative specimen collection cap 86A is shown. The specimen collection cap 86A is adapted for use with the inner tube 32 and/or the outer tube 34 as described herein, and is substantially similar to the specimen collection cap 86, with several alternatives. Specifically, a sealing band 138 is disposed annularly about an interior surface 114A of an annular shoulder 90A and extends into a tube receiving portion 94A. The sealing band 138 forms a hermetic seal 136 with a portion of the outer surface 74 of the outer tube 34. In one embodiment, the sealing band 138 is deformable against an annular ring 76 extending from the outer surface 74 of the outer tube 34, as shown in FIG. 7, to form the hermetic seal 136. In certain embodiments, the annular shoulder 90A of the specimen collection cap 86A may include a strengthening member 140 adjacent the sealing

band 138 for providing additional rigidity to the specimen collection cap 86A during engagement with the inner tube 32 and/or the outer tube 34.

[0059] The presence of the sealing band 138 at a bottom end 128A of the annular shoulder 90A allows for a reduction in the amount of material present in a pierceable septum 96A forming a barrier seal 122A with a portion of the interior 44 of the inner tube 32, thereby sealing the interior 44 from the external atmosphere. In this configuration, a seal 142 is formed by the interaction of the hermetic seal 136 and the interaction of a first protrusion 116A extending from the inner surface 114A of the annular shoulder 90A into the tube receiving portion 94A and the annular ring 52 of the inner tube 32. The seal 142 and the hermetic seal 136 form a tortuous path between the external atmosphere and the barrier seal 122A further enhancing the overall sealing system of the specimen collection container assembly 30, shown in FIG. 1.

[0060] In one embodiment, the engagement of the sealing band 138 and the annular ring 76 extending from the outer surface 74 of the outer tube 34 produces an audible and/or tactile indication that the specimen collection cap 86A and the outer tube 34 with the inner tube 32 disposed therein are sealingly engaged. In one configuration, the annular ring 76 may include a resistance protrusion and the sealing band 138 may include a corresponding resistance recess for accommodating the resistance protrusion therein.

[0061] As shown in FIGS. 11-12, the annular shoulder 90A of the specimen collection cap 86A may include a plurality of alternative ribs 132A extending along a portion of an exterior surface 134A of the annular shoulder 90A. These ribs 132A may be used to help identify the intended contents of the inner tube 32, additives and/or amounts of additives present within the inner tube 32, and/or the intended testing procedure to be performed on the contents of the inner tube 32.

[0062] As shown in FIGS. 15-17, the specimen collection cap 86A is also suitable for use with inner tube 32 having dual funnels 46A, 46B. Referring specifically to FIG. 17, the dual funnels 46A, 46B are each received within the tube receiving portion 94A, as described herein.

[0063] Referring to FIGS. 18-22, an alternative specimen collection cap 86B is shown. The specimen collection cap 86B is adapted for use with the inner tube 32 and/or the outer tube 34 as described herein, and is substantially similar to the specimen collection cap 86, with several alternatives. Specifically, in accordance with an embodiment of the present invention, the specimen collection cap 86B includes a top surface 88B having an annular shoulder 90B depending therefrom and at least partially surrounding the pierceable septum

96B. In this configuration, the pierceable septum **96B** includes a base portion **144** and an outer portion **146** circumferentially disposed about the base portion **144** and defining a tube receiving portion **148** therebetween.

[0064] When the specimen collection cap **86B** and the inner tube **32** and outer tube **34** are assembled, the funnel **46**, such as dual funnels **46A**, **46B**, is received within the tube receiving portion **148**. The tube receiving portion **148** may be dimensioned such that a spacing gap **152** is present on either side of the funnels **46A**, **46B** when the inner tube **32** is engaged with the specimen collection cap **86B**. The spacing gap **152** reduces contact between the funnels **46A**, **46B** and the pierceable septum **96B** during assembly of the specimen collection cap **86B** and the inner tube **32**. This may be particularly advantageous for preventing or minimizing pull-away of the pierceable septum **96B** during disengagement of the specimen collection cap **86B** and the inner tube **32**.

[0065] In a further embodiment, a bottom end **150** of the outer portion **146** of the pierceable septum **96B** may include a tapered surface **154** for guiding the open top end **38**, particularly the funnels **46A**, **46B** into the tube receiving portion **148** of the pierceable septum **96B**.

[0066] The pierceable septum **96B** may contact and form a barrier seal **122** with a portion of the interior **44** of the inner tube **32**, thereby sealing the interior **44** from the external atmosphere, as described herein. The pierceable septum **96B** may also form a perimeter seal **156** between a portion of the outer portion **146** and the annular ring **52** of the inner tube **32**. In certain configurations, an upper tip **160** of the funnels **46A**, **46B** may contact an uppermost region **162** of the tube receiving portion **148** forming a tertiary seal **164** therebetween. The tertiary seal **164** and the perimeter seal **156** form a tortuous path between the external atmosphere and the barrier seal **122** further enhancing the overall sealing system of a specimen collection container assembly **30B**, shown in **FIG. 18**.

[0067] In a further embodiment, an inner surface **114B** of the annular shoulder **90B** may include a septum restraining portion **112B** for preventing the inadvertent advancement of the pierceable septum **96B** through the specimen collection cap **86B** when pressure is applied to the pierceable septum **96B** by a needle cannula or probe. The septum restraining portion **112B** extends at least partially into the pierceable septum **96B** for creating a physical restraint therebetween. In still a further embodiment, the pierceable septum **96B** may include a restraining portion **170** for bearing against an inner surface **172** of the top surface **88B** for preventing inadvertent disengagement of the specimen collection cap **86B**.

[0068] As shown in **FIGS. 18-19**, the annular shoulder **90B** of the specimen collection cap **86B** may include a plurality of alternative ribs **132B** extending along a portion of an exterior surface **134B** of the annular shoulder **90B**. These ribs **132B** may be used to help identify the intended contents of the inner tube **32**, additives and/or amounts of additives present within the inner tube **32**, and/or the intended testing procedure to be performed on the contents of the inner tube **32**.

[0069] While specific embodiments of the invention have been described in detail, it will be appreciated by those skilled in the art that various modifications and alternatives to those details could be developed in light of the overall teachings of the disclosure.

WHAT IS CLAIMED IS:

1. A specimen collection container, comprising:
 - an inner tube having a closed bottom end, a top end, and a sidewall extending therebetween defining an inner tube interior, the sidewall having an inner surface and an outer surface having at least one annular protrusion extending therefrom, the inner tube comprising at least one funnel portion adjacent the top end for directing a specimen into the inner tube interior, and an annular ring disposed about a portion of the outer surface of the sidewall adjacent the top end; and
 - an outer tube comprising a bottom end, a top end, and a sidewall extending therebetween, the sidewall having an outer surface and an inner surface defining an annular recess adapted to receive at least a portion of the annular protrusion therein, wherein the inner tube is disposed at least partially within the outer tube and a portion of the top end of the outer tube abuts the annular ring.
2. The specimen collection container of claim 1, wherein the inner tube and the outer tube are co-formed.
3. The specimen collection container of claim 1, wherein the open top end of the inner tube comprises a second funnel, such that the second funnel is substantially opposite the funnel.
4. The specimen collection container of claim 1, wherein at least one of the sidewall of the inner tube and the sidewall of the outer tube includes at least one fill-line.
5. The specimen collection container of claim 1, wherein the bottom end of the outer tube comprises at least one vent for venting air from the space defined between the inner surface of the outer tube and the outer surface of the inner tube.
6. The specimen collection container of claim 1, wherein the outer surface of the inner tube comprises at least one stabilizer extending therefrom for contacting a portion of the inner surface of the outer tube.

7. The specimen collection container of claim 1, wherein the inner tube completely seals the top end of the outer tube.
8. The specimen collection container of claim 1, further comprising a specimen collection cap sealing at least one of the top end of the inner tube and the top end of the outer tube.
9. The specimen collection container of claim 8, wherein the specimen collection cap includes a top surface, an annular shoulder depending therefrom, and an annular interior wall depending from the top surface with the annular shoulder circumferentially disposed about the annular interior wall.
10. The specimen collection container of claim 9, wherein a tube receiving portion is defined between the annular shoulder and the annular interior wall, and wherein at least a portion of the funnel is received within the tube receiving portion.
11. The specimen collection container of claim 10, wherein the annular shoulder comprises an inner surface having a first protrusion extending therefrom into the tube receiving portion, and a second protrusion extending therefrom into the tube receiving portion, the first protrusion laterally offset from the second protrusion.
12. The specimen collection container of claim 11, further comprising a protrusion disposed on the outer surface of at least one of the inner tube and the outer tube, the protrusion positioned between the first protrusion and the second protrusion of the annular shoulder when the specimen collection cap seals at least one of the top end of the inner tube and the top end of the outer tube
13. The specimen collection container of claim 10, wherein the inner surface of the annular shoulder further comprises a third protrusion disposed about a bottom end of the specimen collection cap extending into the tube receiving portion for contacting a portion of the sidewall of at least one of the inner tube and the outer tube.
14. The specimen collection container of claim 9, further comprising an elastomeric stopper at least partially surrounded by the interior annular wall.

15. The specimen collection container of claim 14, wherein the elastomeric stopper is self-sealing.
16. The specimen collection container of claim 14, wherein the elastomeric stopper comprises a concave receiving surface adjacent the top surface of the specimen collection cap for directing an instrument to an apex of the concave receiving surface.
17. The specimen collection container of claim 14, wherein the elastomeric stopper comprises an inverted receiving surface adjacent a bottom end of the specimen collection cap.
18. The specimen collection container of claim 9, further comprising a plurality of ribs extending along a portion of an exterior surface of the annular shoulder.
19. The specimen collection container of claim 8, wherein the specimen collection cap includes a top surface and an annular shoulder depending therefrom having an inner surface, wherein at least a portion of the inner surface of the annular shoulder and the outer surface of the inner tube interact to form a seal.
20. The specimen collection container of claim 19, wherein the seal comprises a tortuous fluid path.
21. The specimen collection container of claim 8, wherein the specimen collection cap includes a top surface and an annular shoulder depending therefrom having an inner surface, wherein at least a portion of the inner surface of the annular shoulder and the outer surface of the outer tube interact to form a seal.
22. The specimen collection container of claim 21, wherein the seal comprises a tortuous fluid path.

1/16

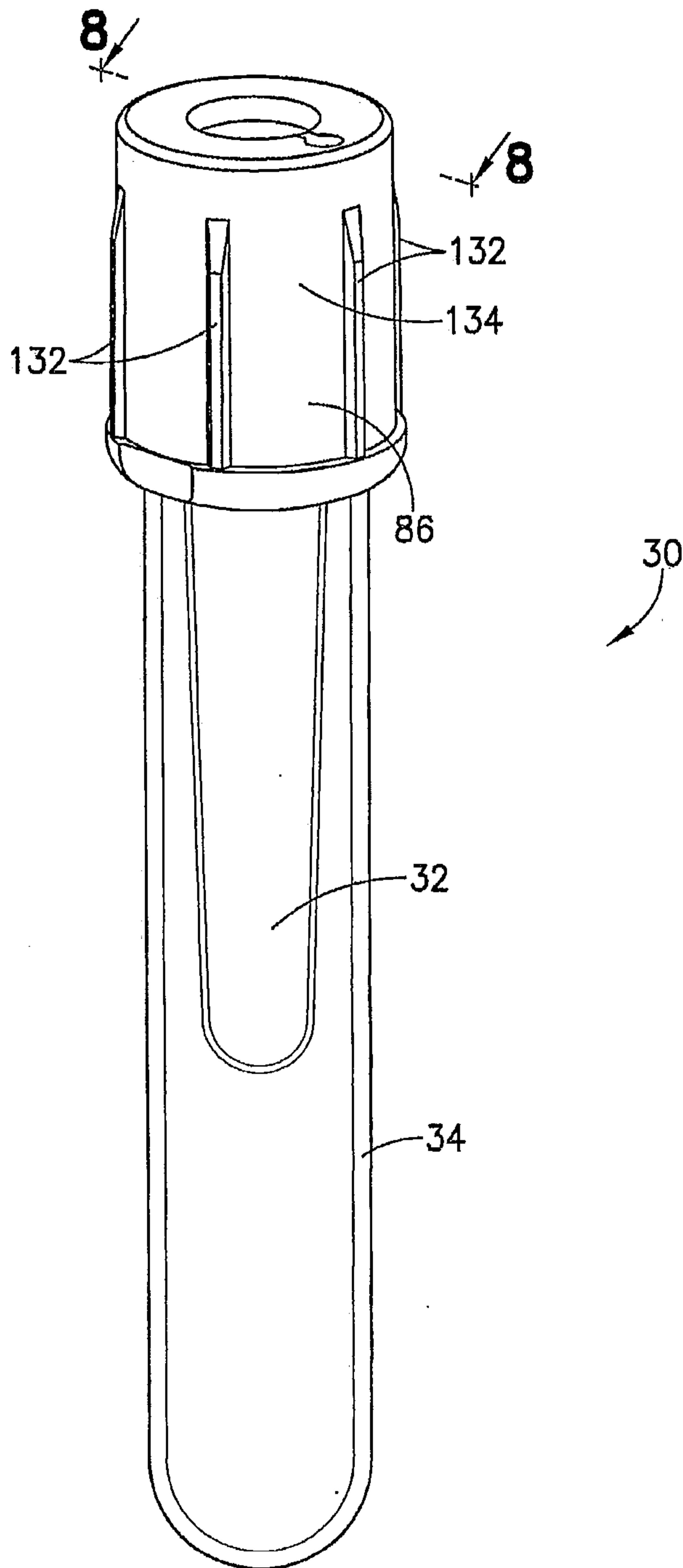


FIG. 1

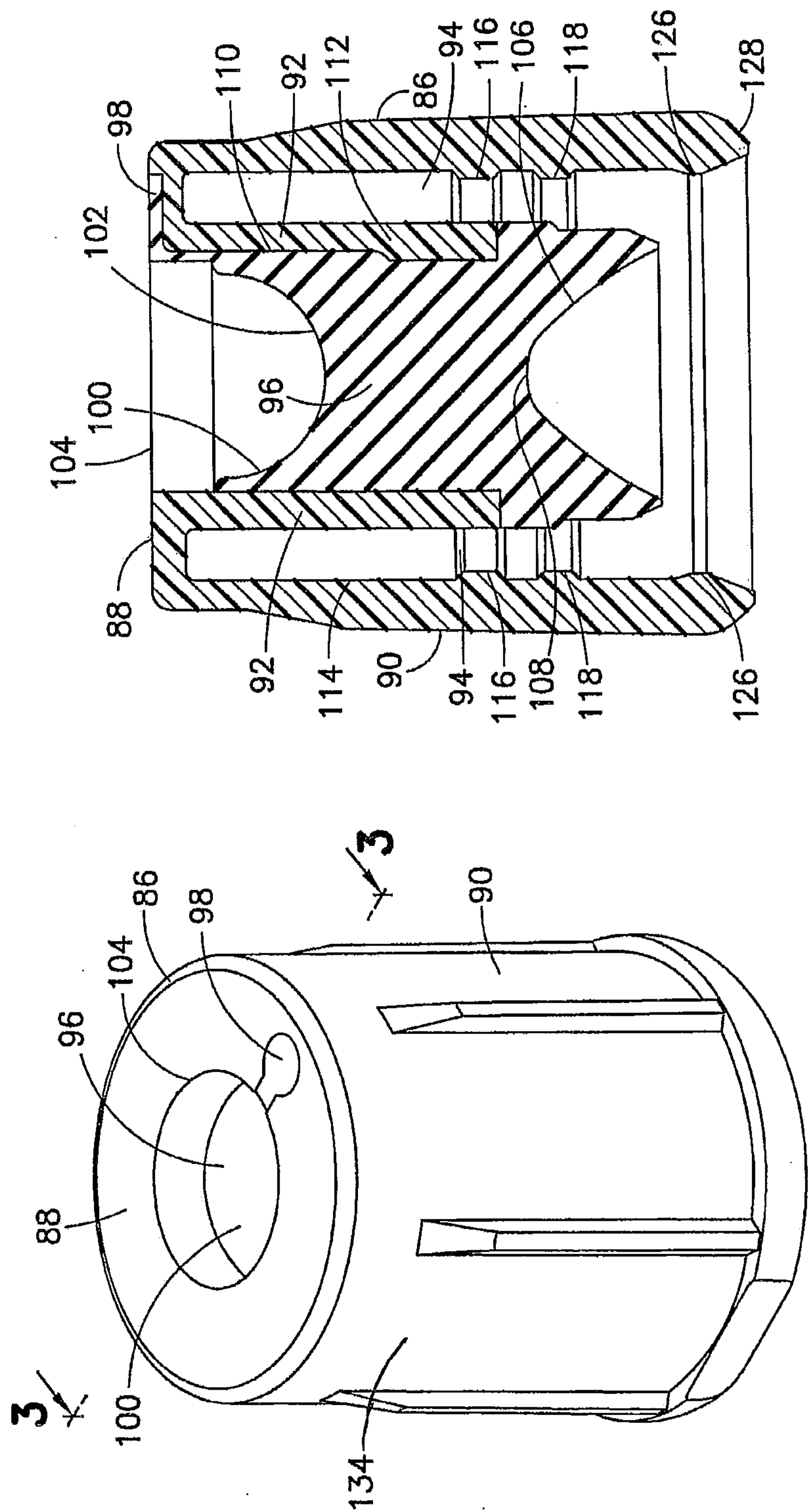


FIG. 3

FIG. 2

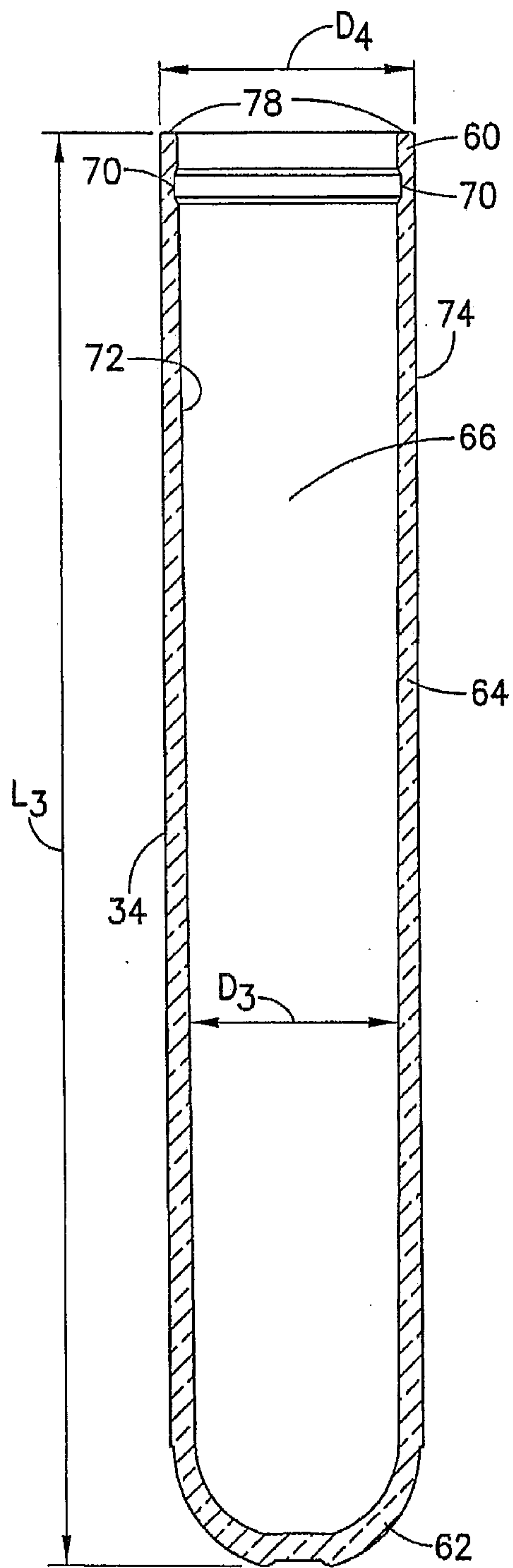


FIG. 6

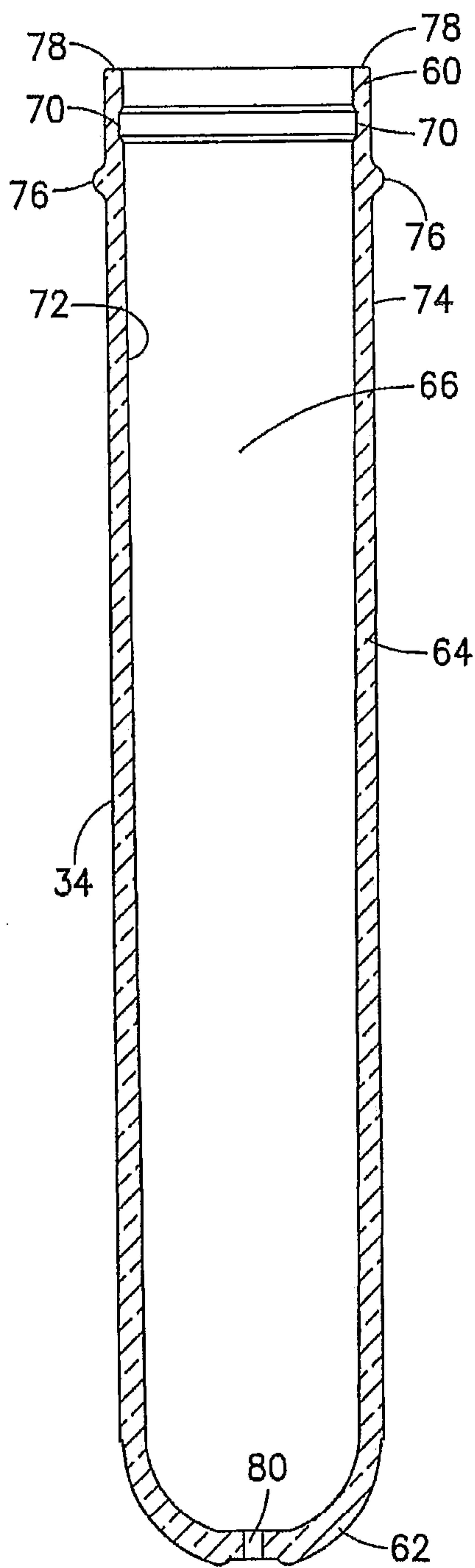


FIG. 7

5/16

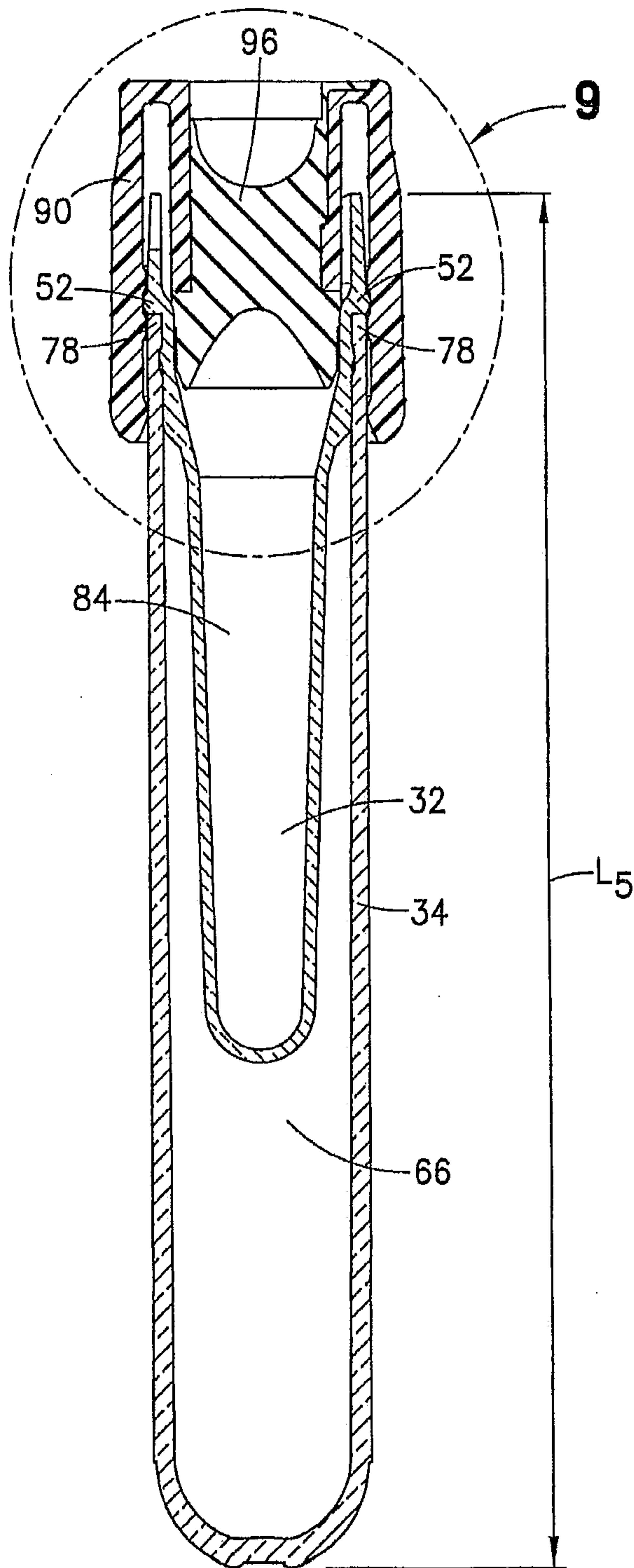


FIG. 8

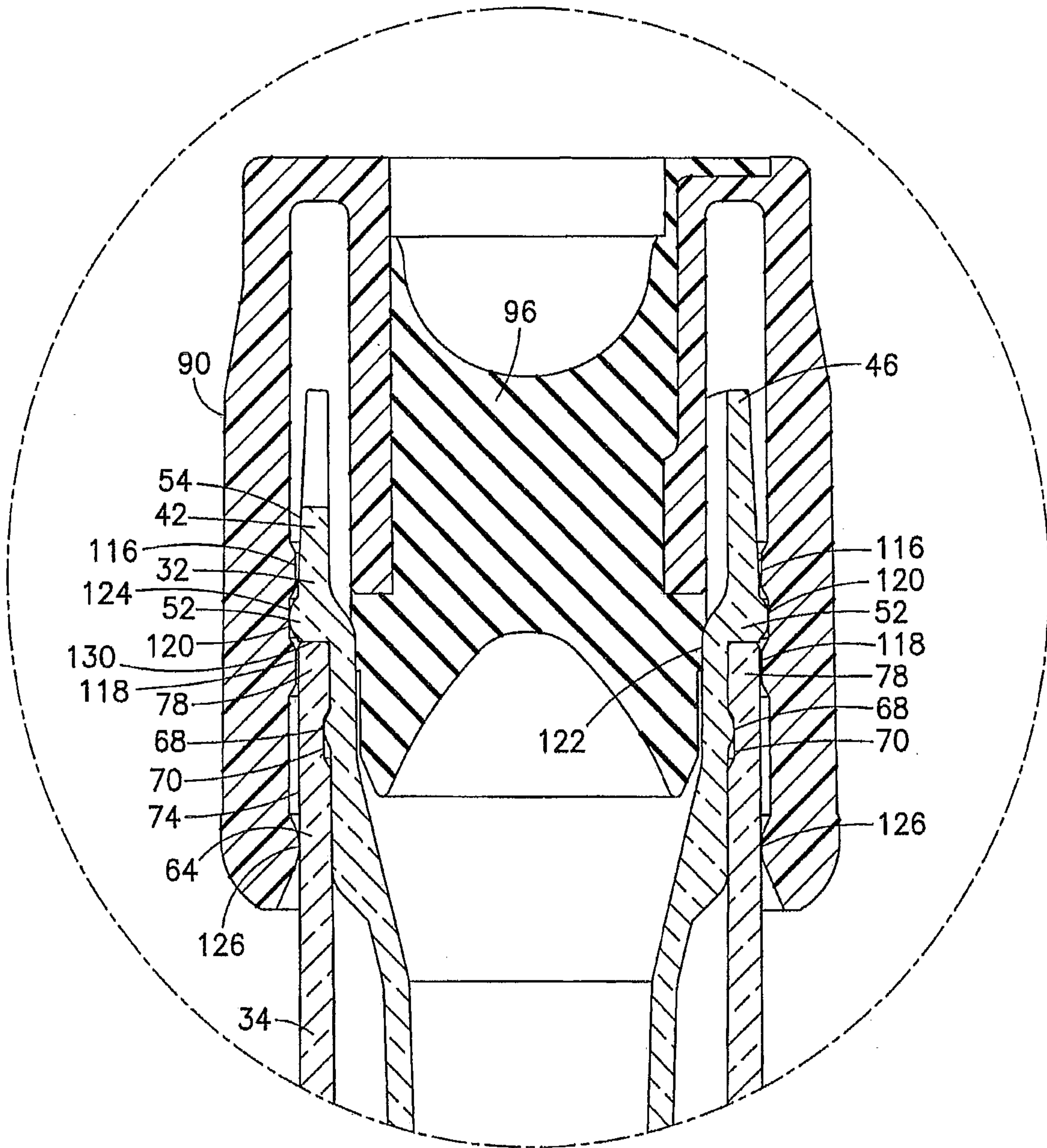


FIG. 9

7/16

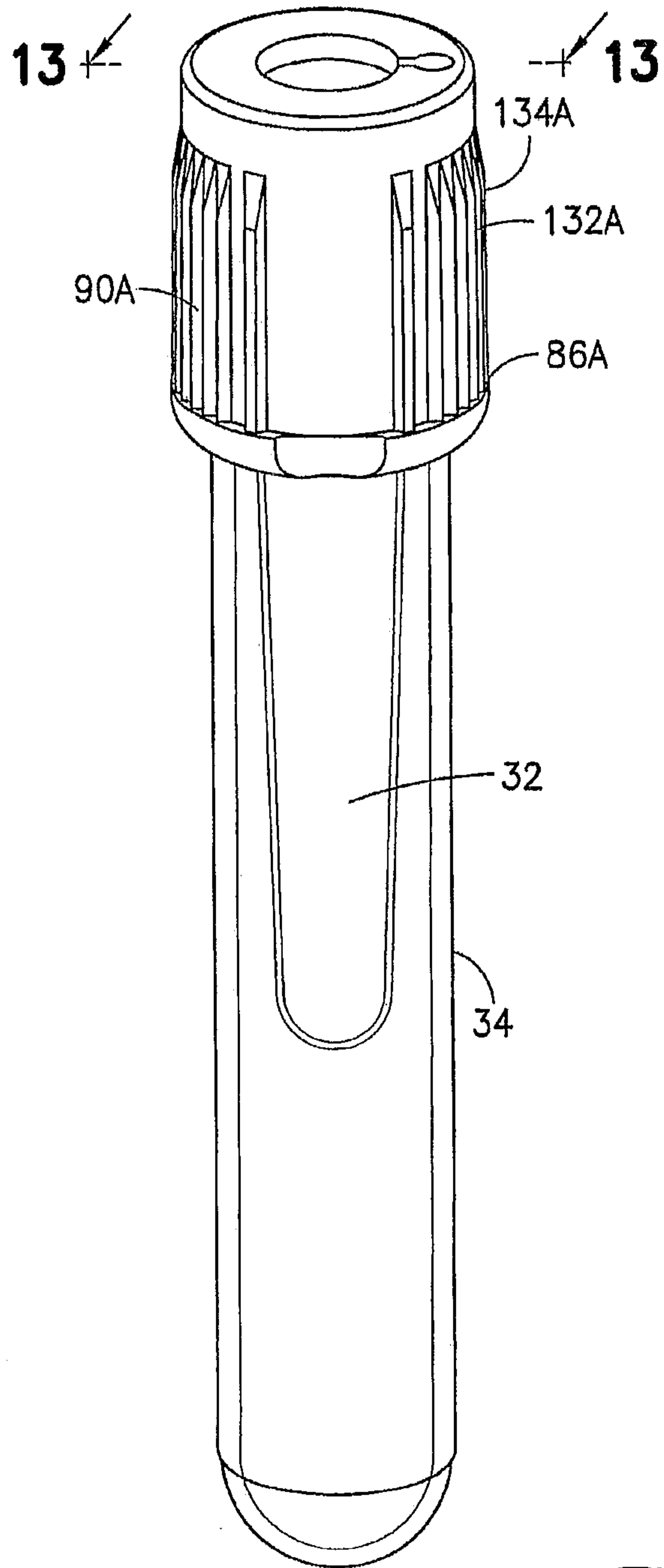


FIG.10

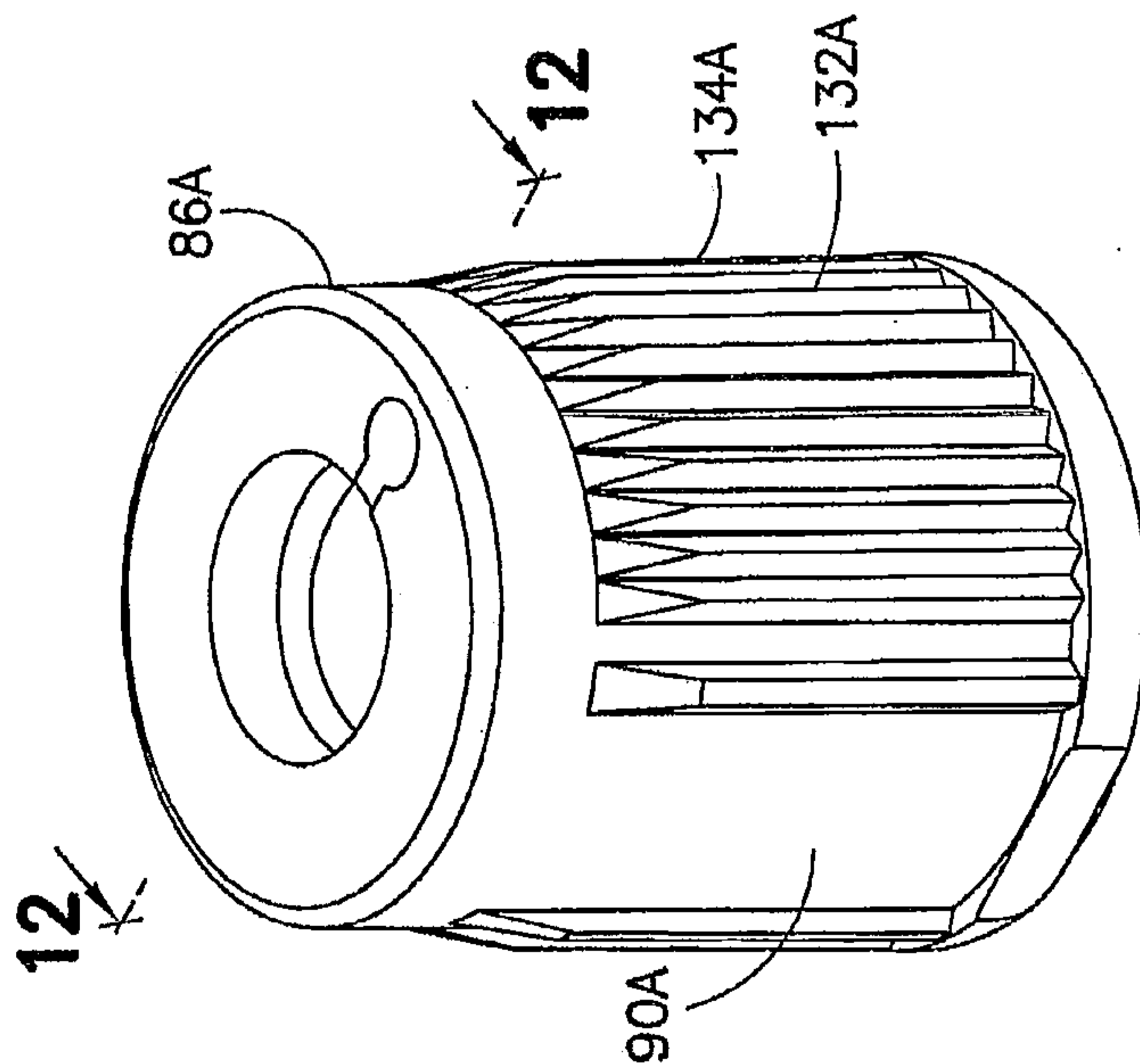


FIG. 11

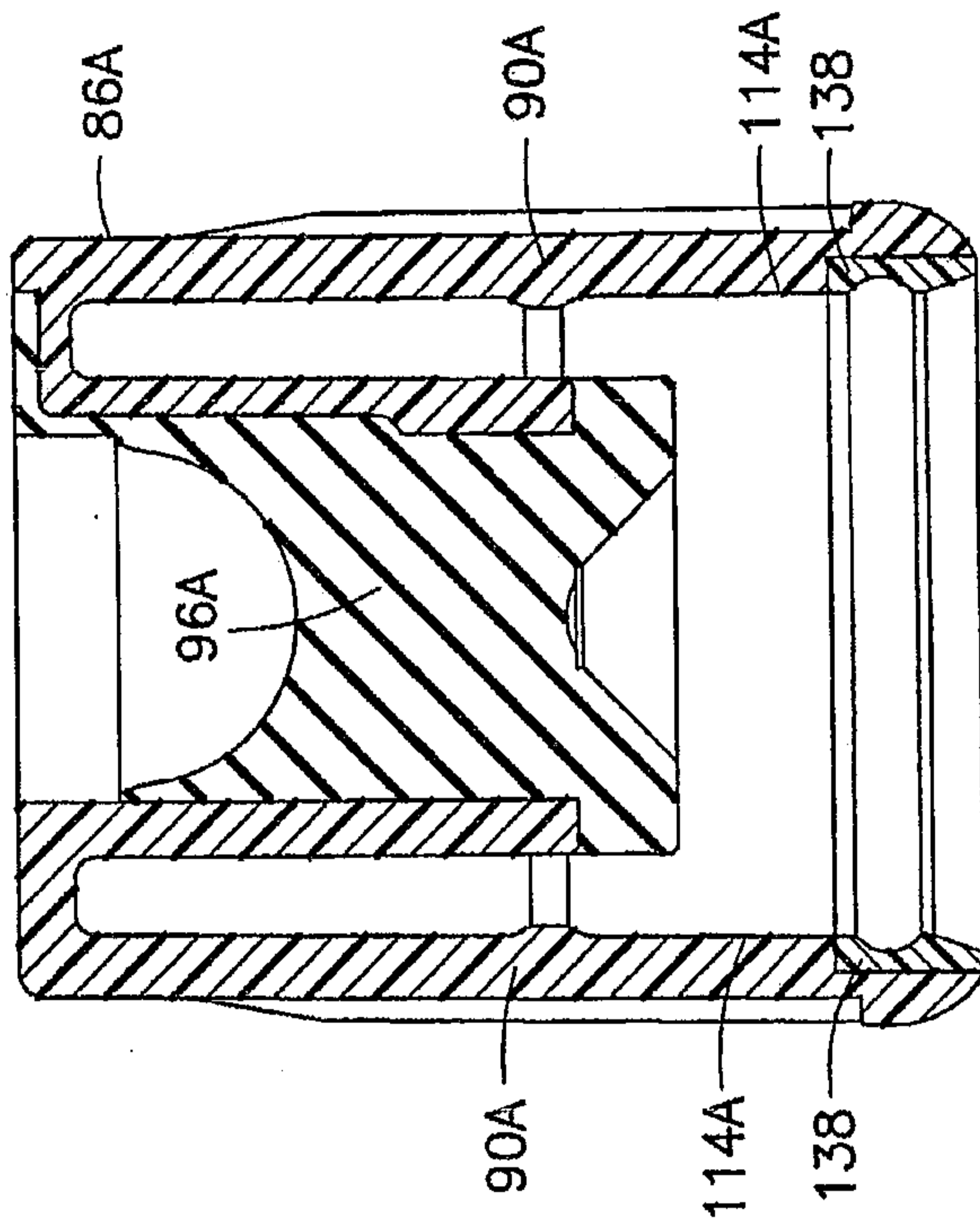


FIG. 12

9/16

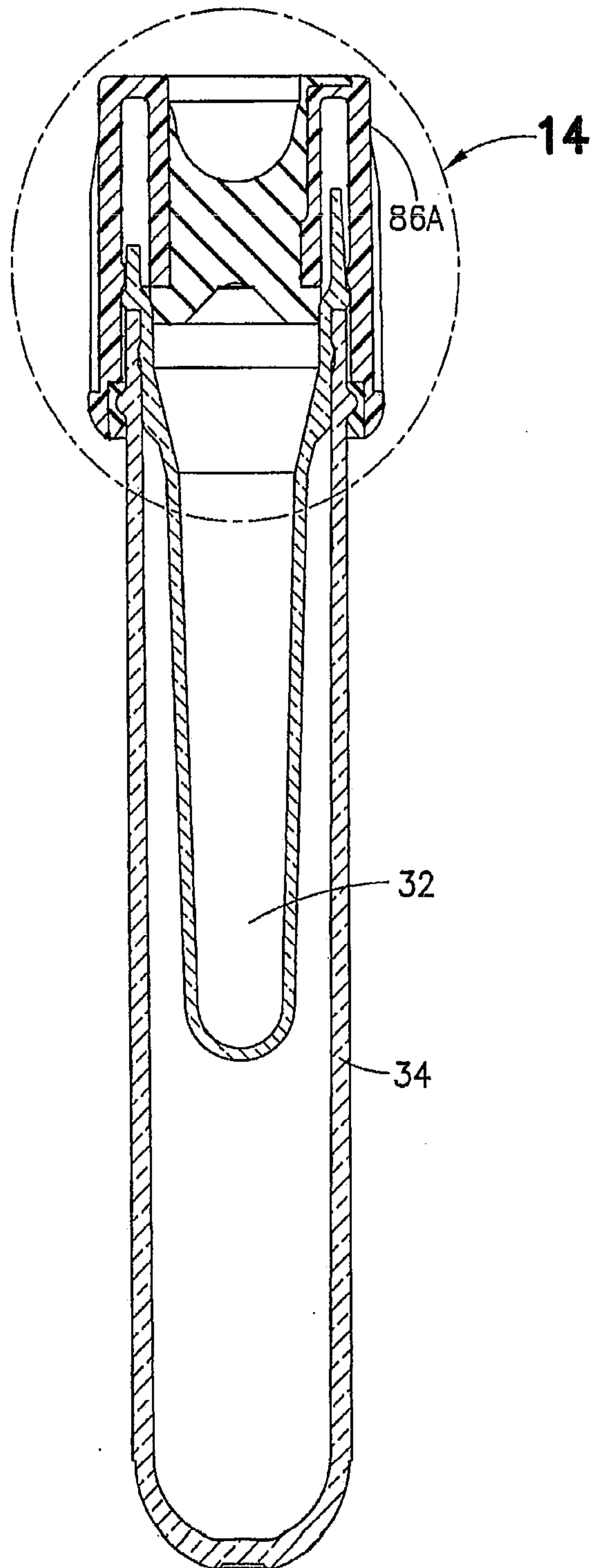


FIG. 13

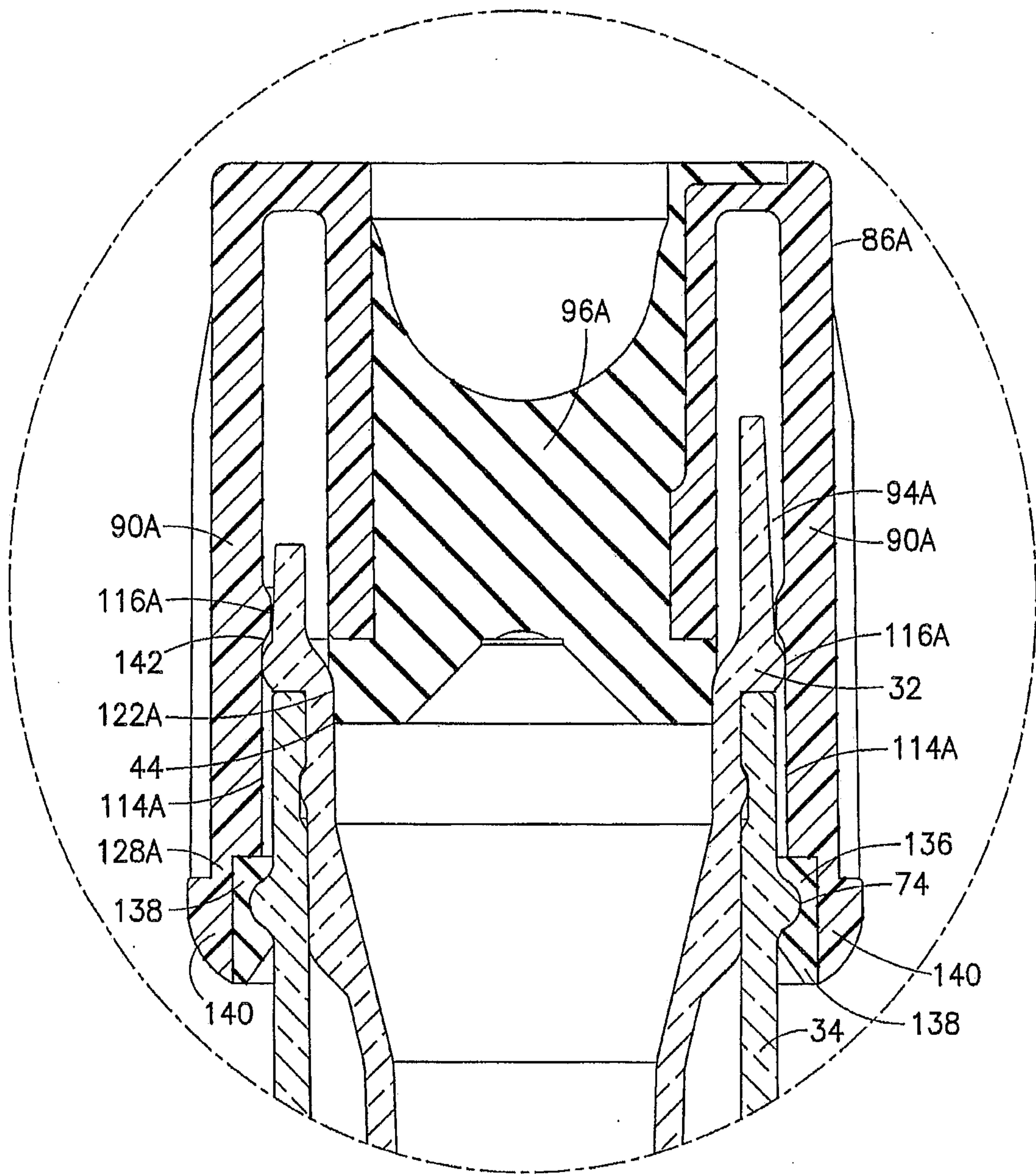


FIG. 14

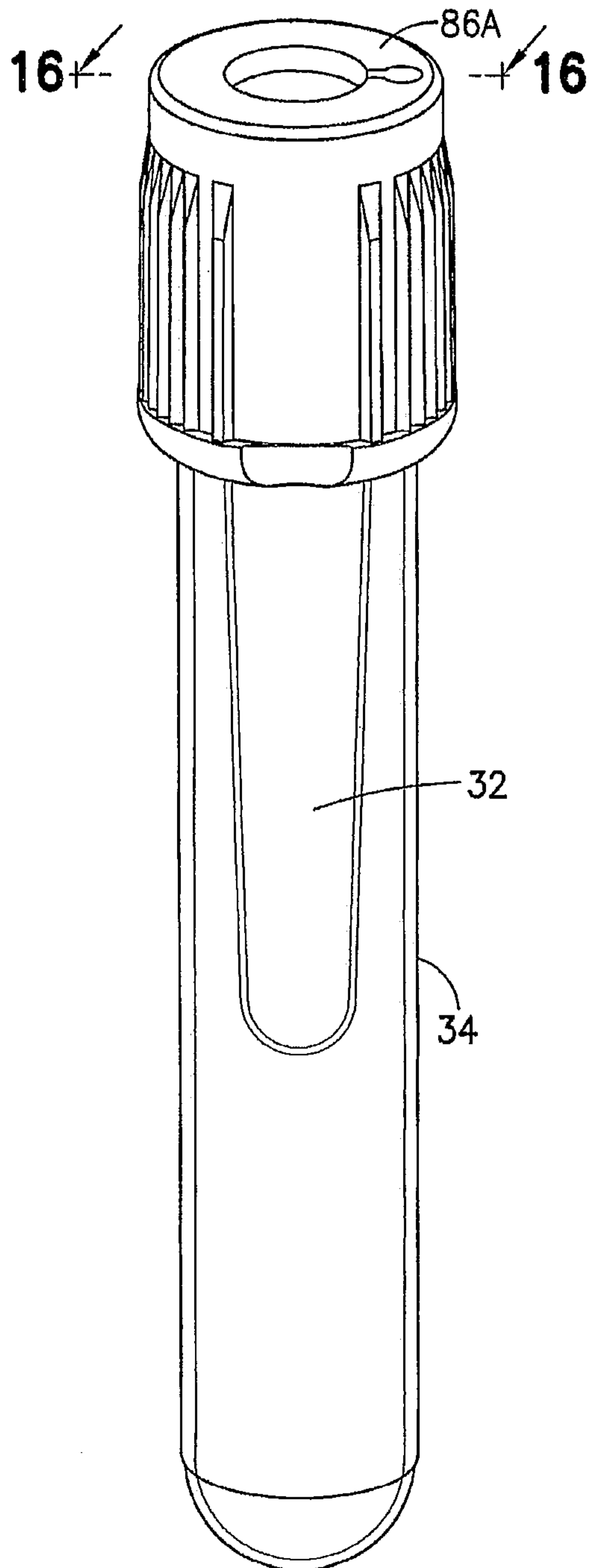


FIG. 15

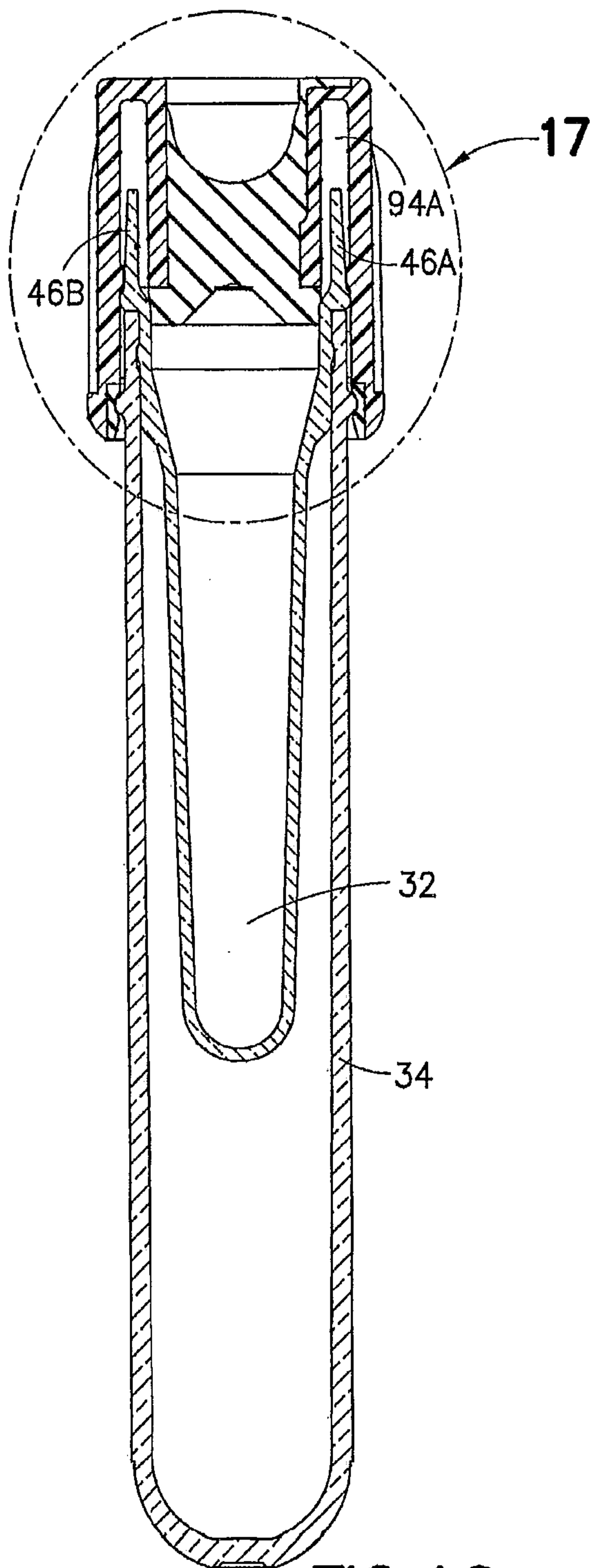


FIG. 16

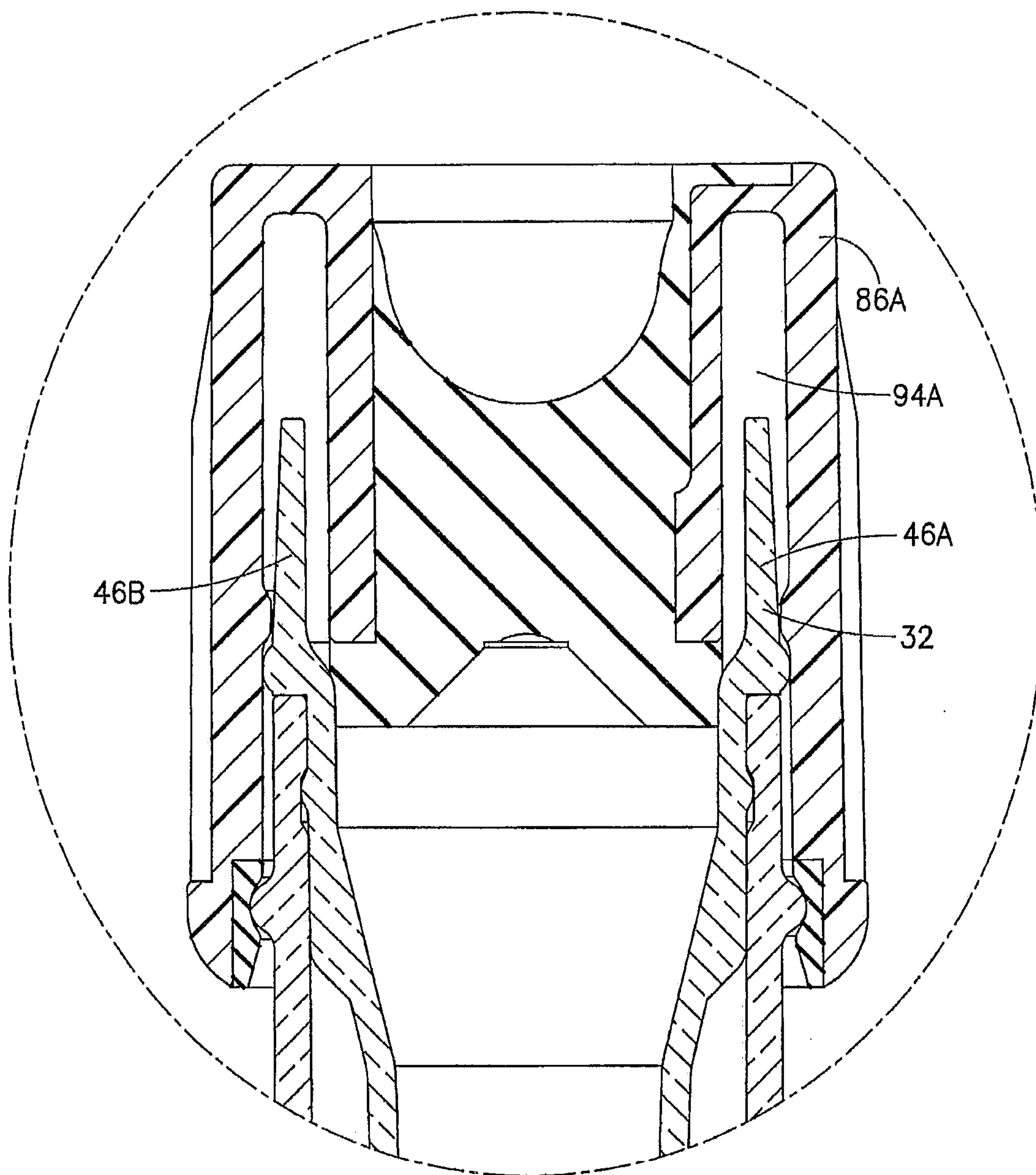


FIG. 17

13/16

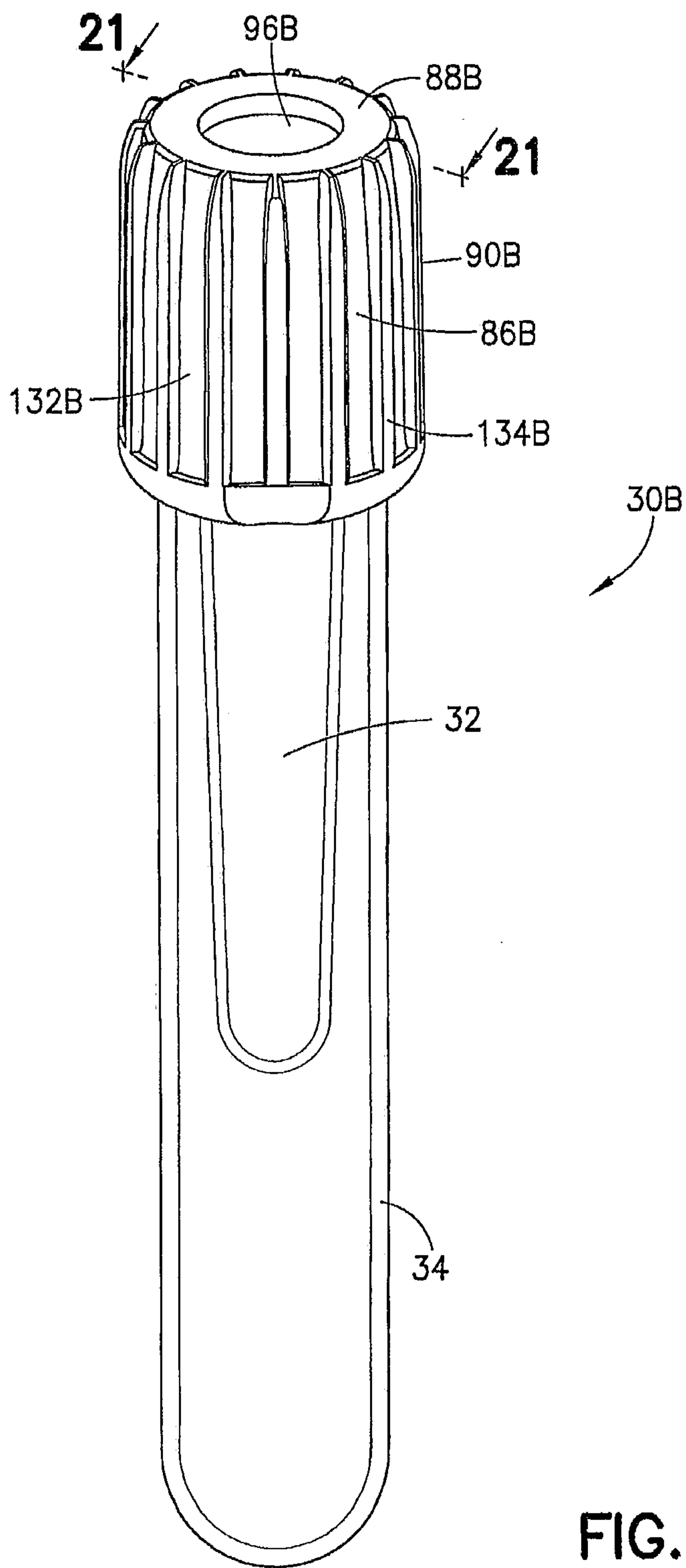


FIG. 18

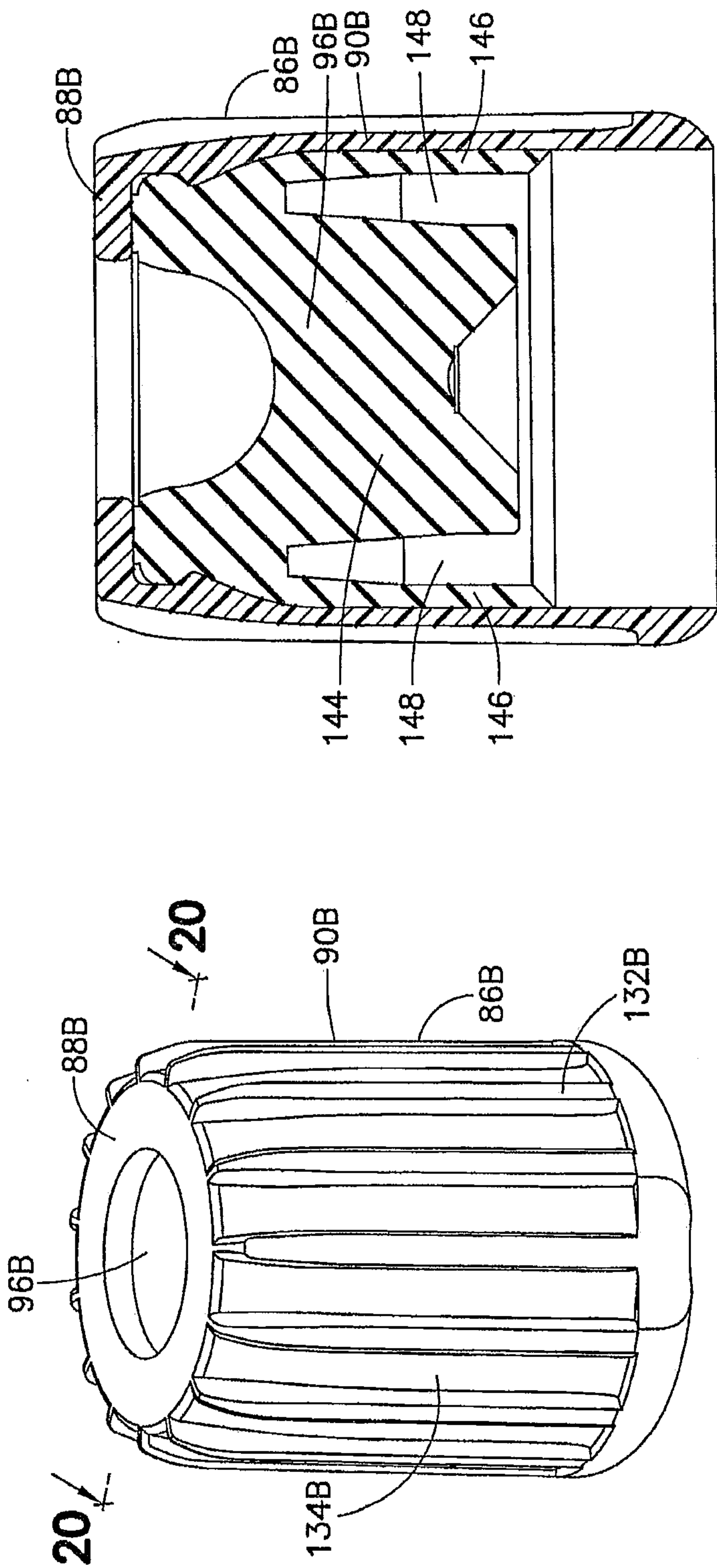


FIG.19

FIG.20

15/16

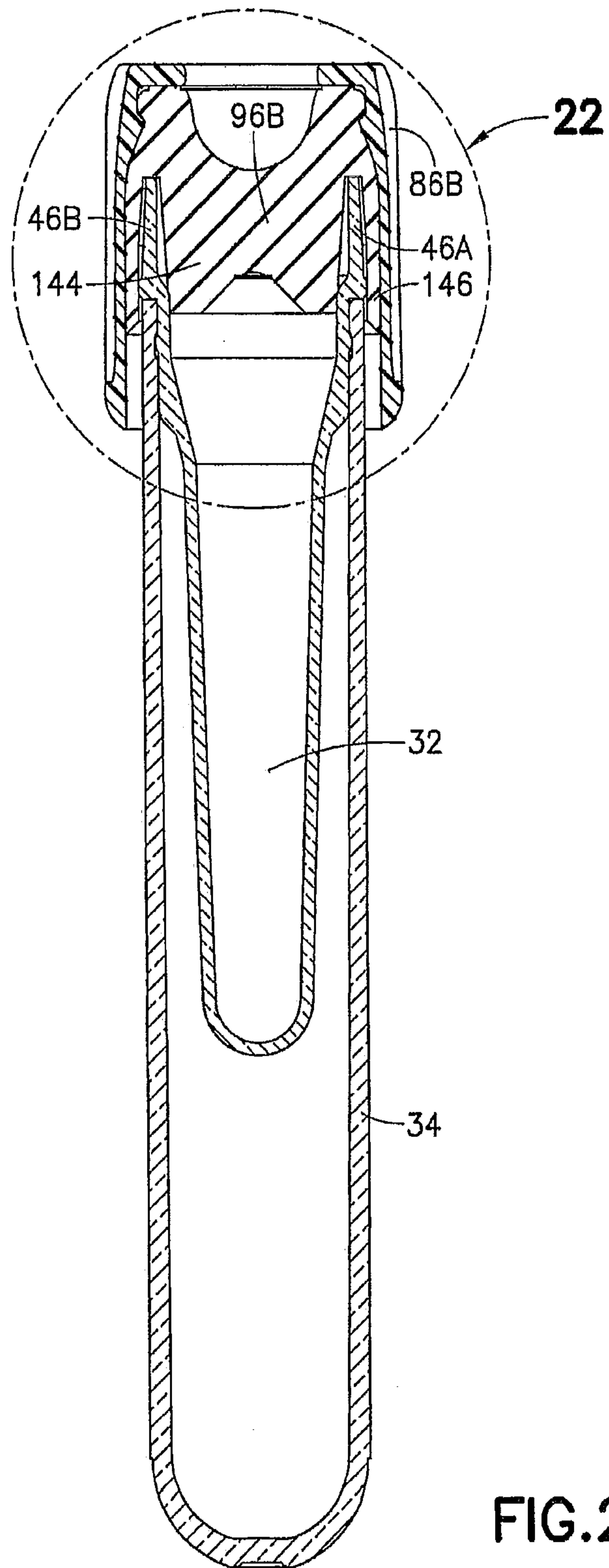


FIG.21

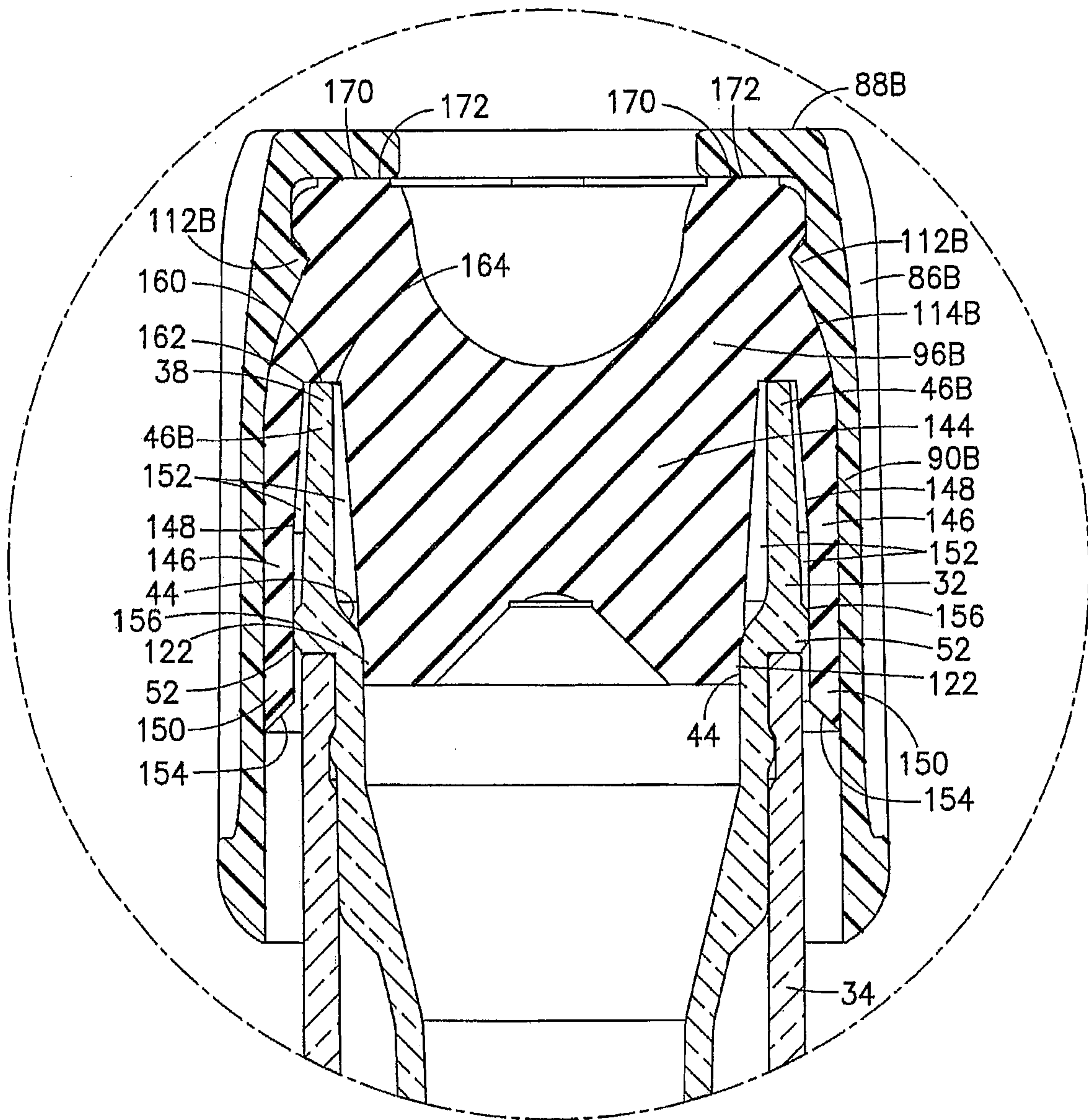


FIG.22

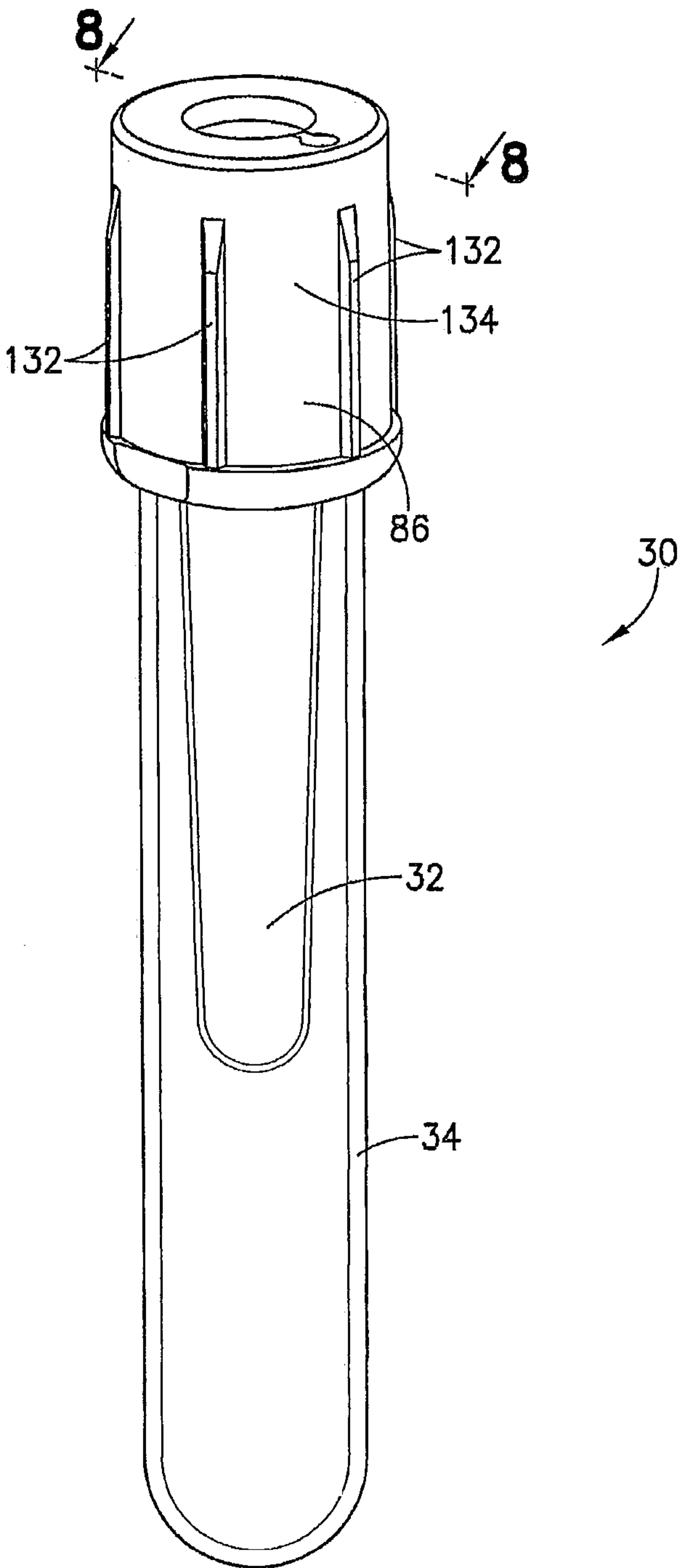


FIG. 1