



US00D898398S

(12) **United States Design Patent**
Rubio

(10) **Patent No.:** **US D898,398 S**

(45) **Date of Patent:** **** Oct. 13, 2020**

(54) **MESH DINING CHAIR**

D804,214 S * 12/2017 Bernardi D6/375
D805,316 S * 12/2017 Lowsky D6/379
D818,283 S * 5/2018 Jacoby D6/375

(Continued)

(71) Applicant: **LK Design, Inc.**, Paradise Valley, AZ
(US)

(72) Inventor: **Mario Ruiz Rubio**, Barcelona (ES)

FOREIGN PATENT DOCUMENTS

(73) Assignee: **LK DESIGN, INC.**, Paradise Valley,
AZ (US)

CN 303460860 * 4/2015
GB 3018820 * 9/2004

(Continued)

(**) Term: **15 Years**

OTHER PUBLICATIONS

(21) Appl. No.: **29/682,470**

One King Lane, Coast Outdoor Armchair, Ivory, [online]retrieved
May 1, 2020, available from internet, <https://www.onekinglane.com/p/4758591-coast-outdoor-armchair-ivory.do?refType=&from=fn&catnav=125779> (Year: 2020).*

(Continued)

(22) Filed: **Mar. 5, 2019**

(51) **LOC (12) Cl.** **06-01**

(52) **U.S. Cl.**

USPC **D6/371**; D6/379; D6/375

(58) **Field of Classification Search**

USPC D6/329, 334, 358-376, 353, 335-340,
D6/352, 377-383, 392-395, 710-712,
D6/716, 716.1, 716.2, 716.3; 297/440.1,
297/440.21, 452.14

CPC .. A47C 11/00; A47C 4/02; A47C 4/03; A47C
4/08; A47C 4/024; A47C 4/025; A47C
4/028; A47C 5/04; A47C 7/16; A47C
5/12; A47C 7/36; A47C 7/40; A47C
9/007; A47C 13/023; A47C 5/08; A47C
17/175; A47C 13/005; A47C 11/005

See application file for complete search history.

Primary Examiner — Keli L Hill

Assistant Examiner — Sara S Sahneh

(74) *Attorney, Agent, or Firm* — Lewis Roca Rothgerber
Christie LLP

(57)

CLAIM

The ornamental design for a mesh dining chair, as shown
and described.

DESCRIPTION

FIG. 1 is a front and perspective view of a mesh dining chair
showing my new design;
FIG. 2 is a back and perspective view thereof;
FIG. 3 is a front side view thereof;
FIG. 4 is a back side view thereof;
FIG. 5 is a right side view thereof;
FIG. 6 is a left side view thereof;
FIG. 7 is a top view thereof; and,
FIG. 8 is a bottom view thereof.

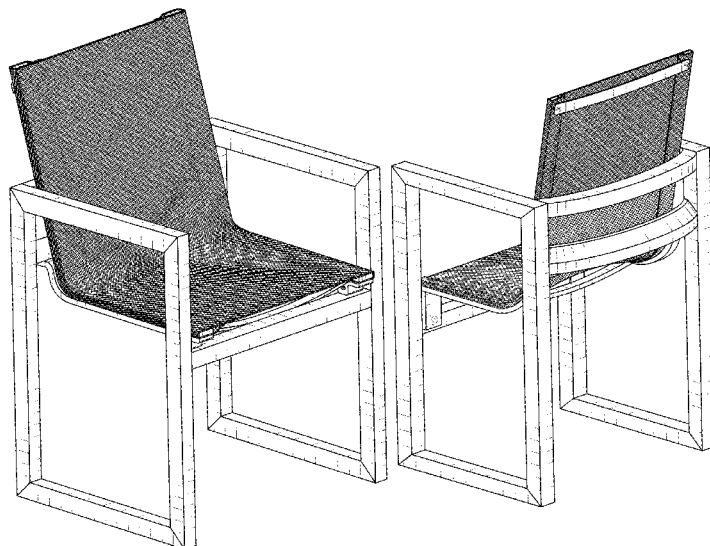
The broken lines shown in the drawings are included for
illustrating portions of the mesh dining chair that form no
part of the claimed design.

1 Claim, 8 Drawing Sheets

(56) **References Cited**

U.S. PATENT DOCUMENTS

D215,929 S * 11/1969 Guillon D6/334
4,046,417 A * 9/1977 Beckley A47B 85/04
297/16.1
D438,398 S * 3/2001 Frinier D6/375
D562,020 S * 2/2008 Massaud D6/373
D606,329 S * 12/2009 Van Duysen D6/375
D766,606 S * 9/2016 Volpe D6/373
D799,231 S * 10/2017 Baylar D6/373



(56)

References Cited

U.S. PATENT DOCUMENTS

D819,354 S * 6/2018 Harman D6/370
D837,554 S * 1/2019 Harman D6/370
D865,380 S * 11/2019 Kin D6/335

FOREIGN PATENT DOCUMENTS

GB 6067409 * 8/2019
KR 300661918.0000 * 8/2011
KR 300938363.0000 * 7/2017

OTHER PUBLICATIONS

Bludot.Skiff Outdoor Stacking Chair, Date first available Mar. 23, 2017, [online]retrieved May 27, 2020, available from internet, <https://www.instagram.com/bludot/> (Year: 2017).*

CG Studio, 3D Model of Poltrona Lounge Wooden Chair, Date first available Apr. 24, 2018, [online]retrieved May 8, 2020, available from internet, <https://www.cgstudio.com/> (Year: 2018).*

CG Studio, Arm chair, Date first available Jan. 11, 2016, [online]retrieved May 8, 2020, available from internet, <https://www.cgstudio.com/> (Year: 2016).*

* cited by examiner

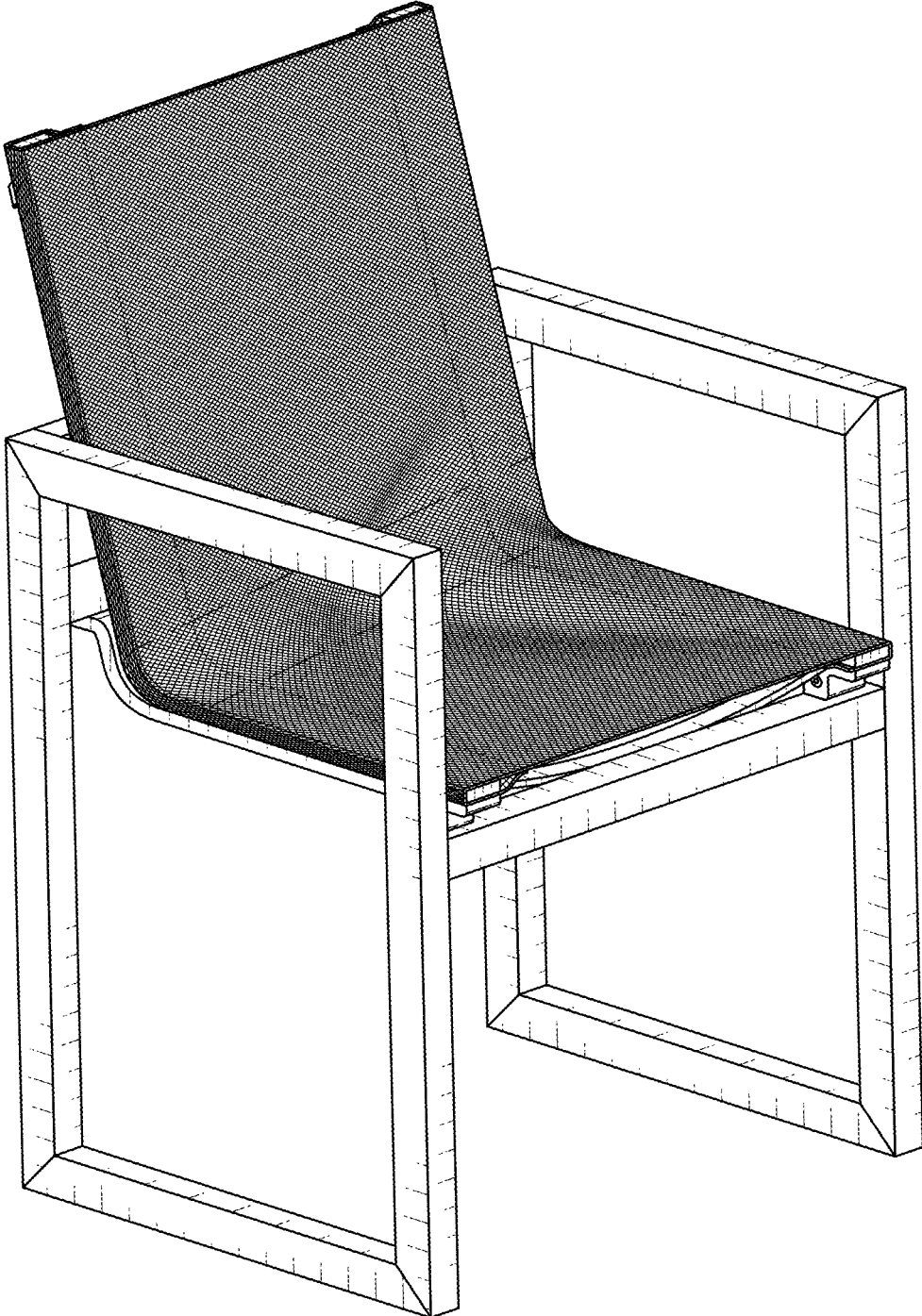


FIG. 1

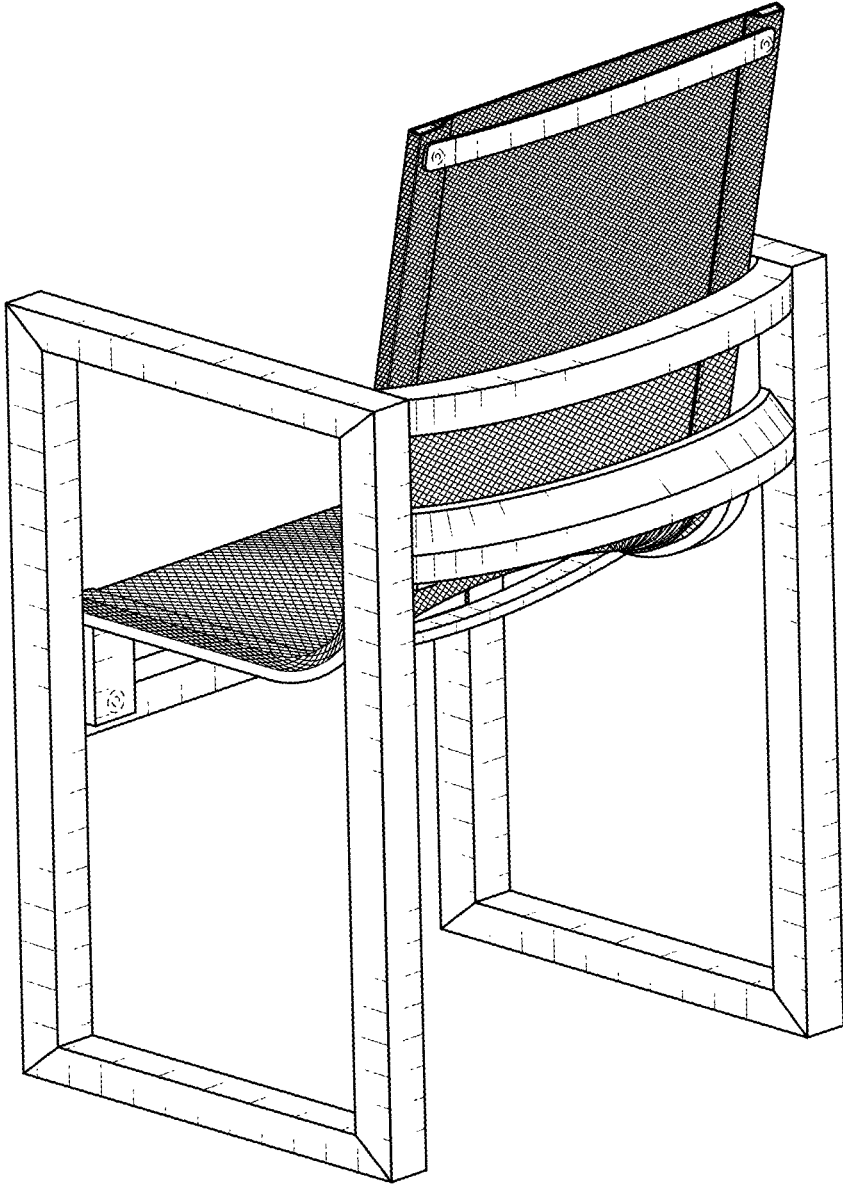


FIG. 2

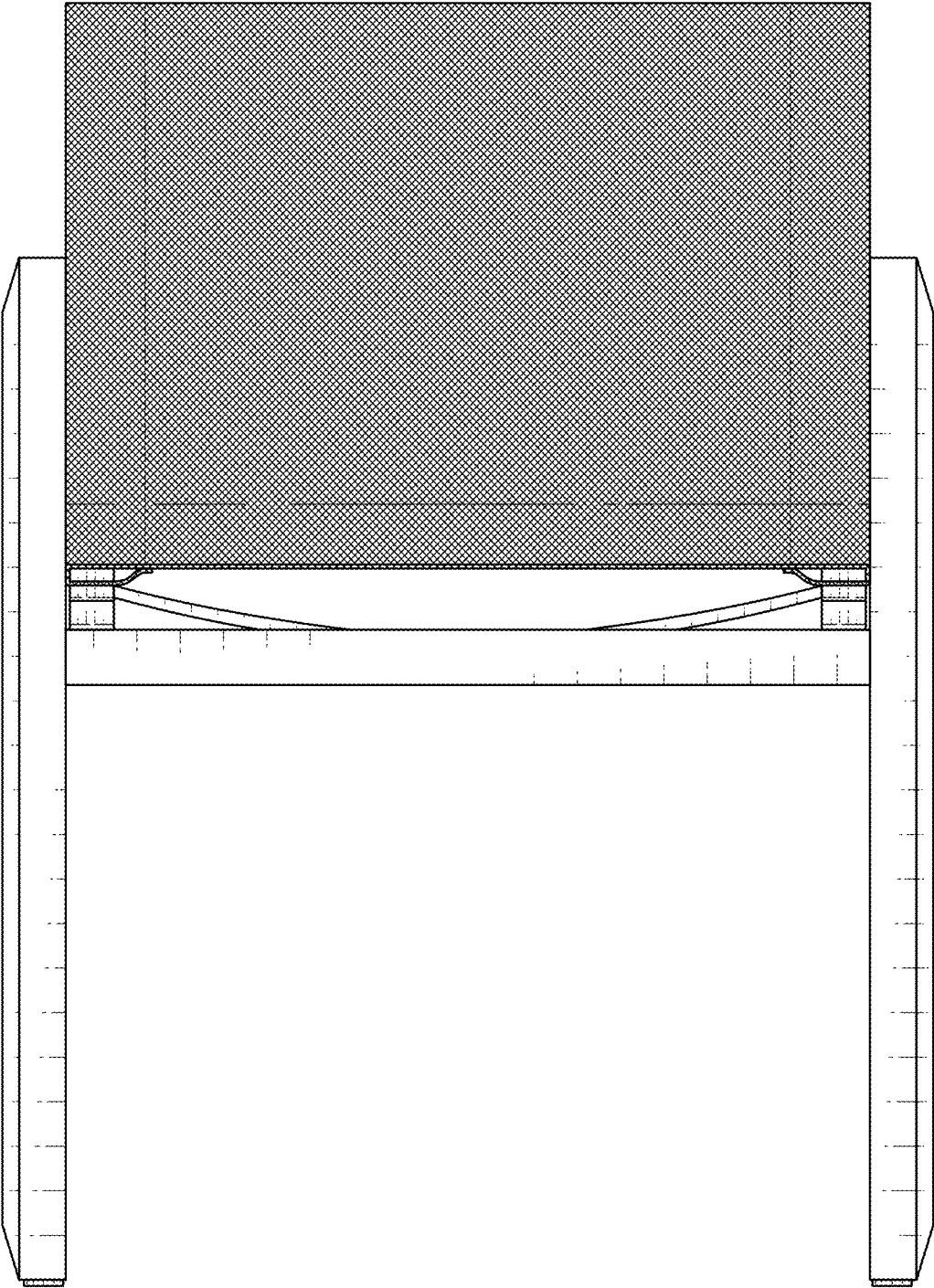


FIG. 3

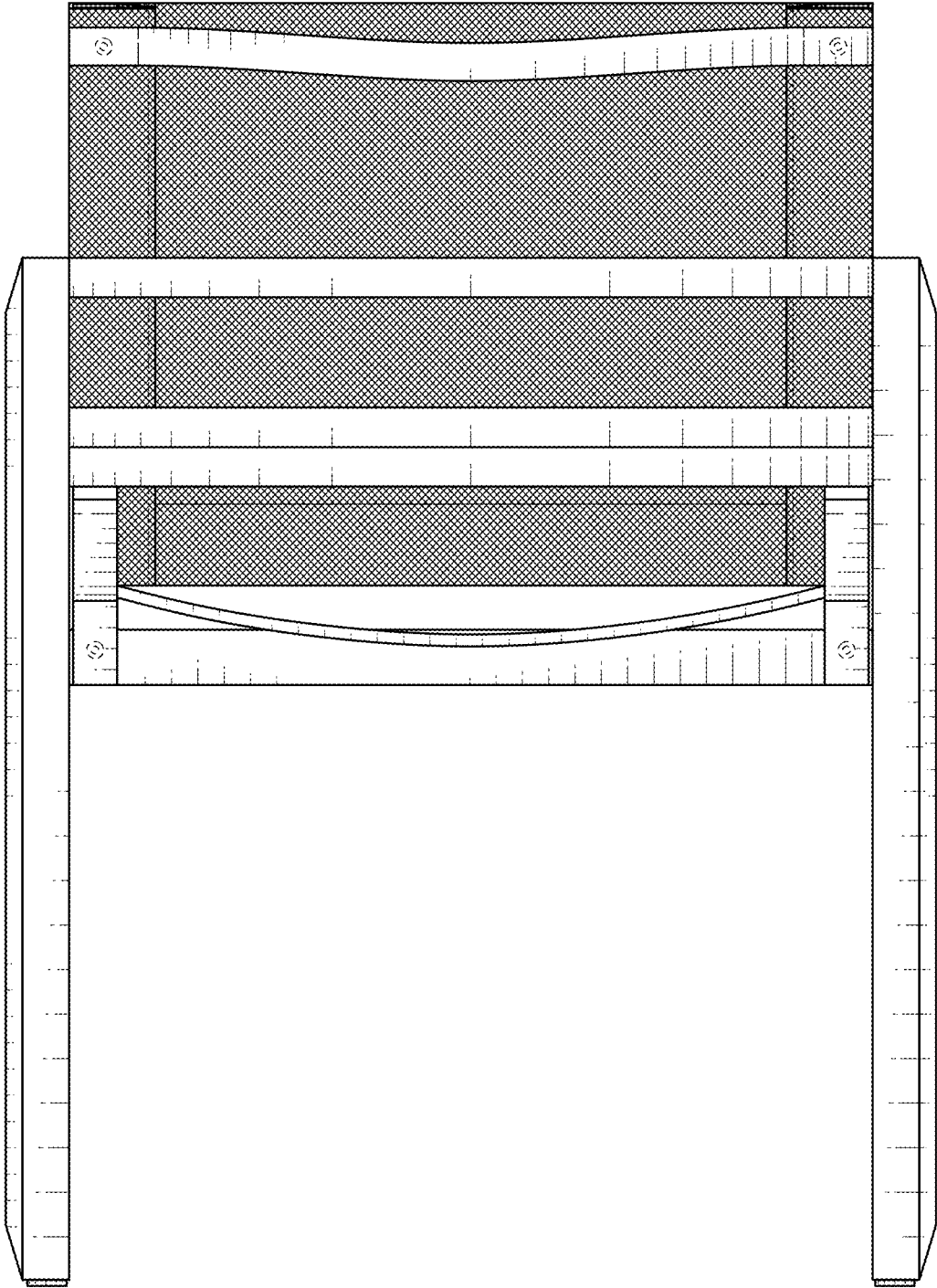


FIG. 4

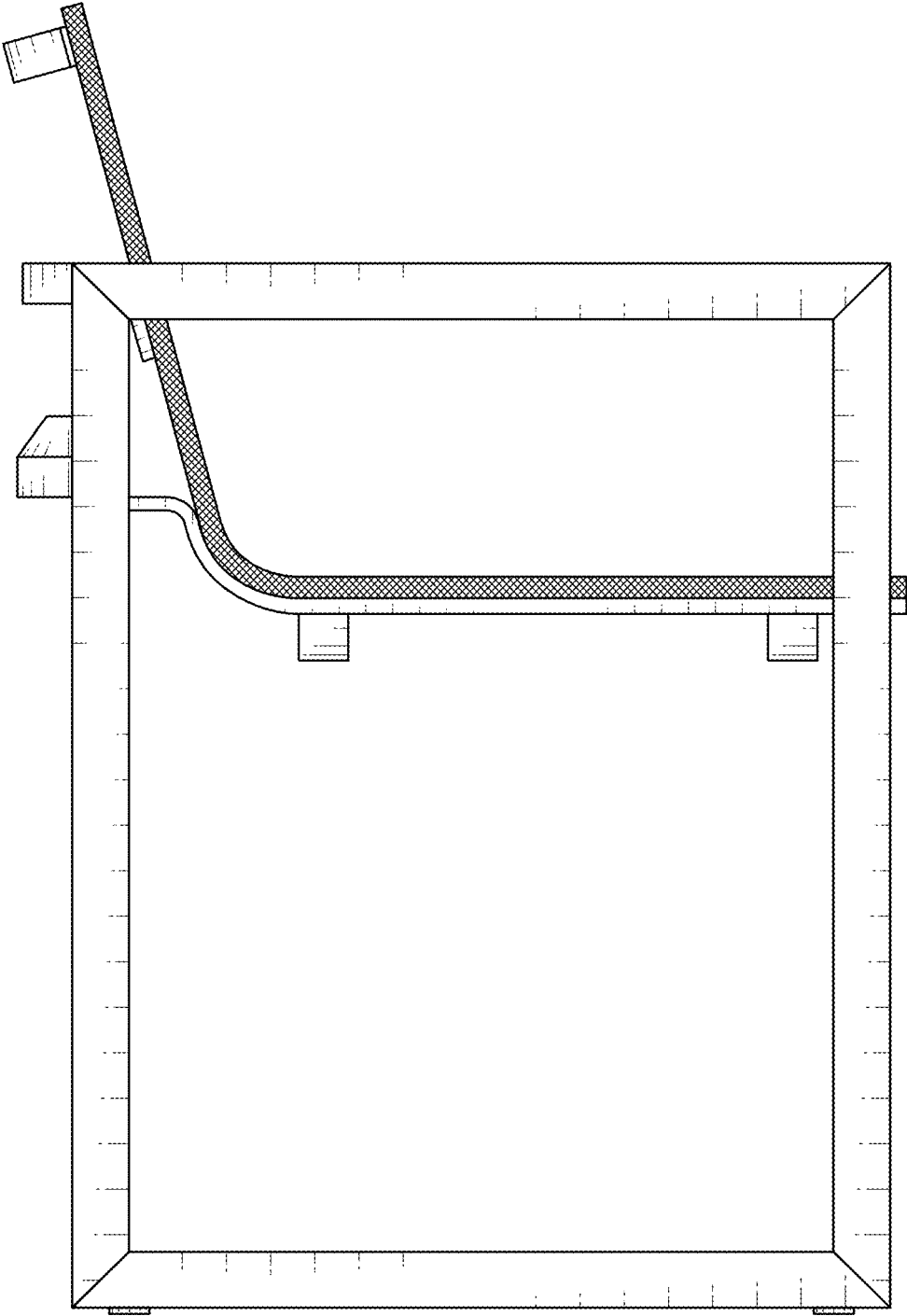


FIG. 5

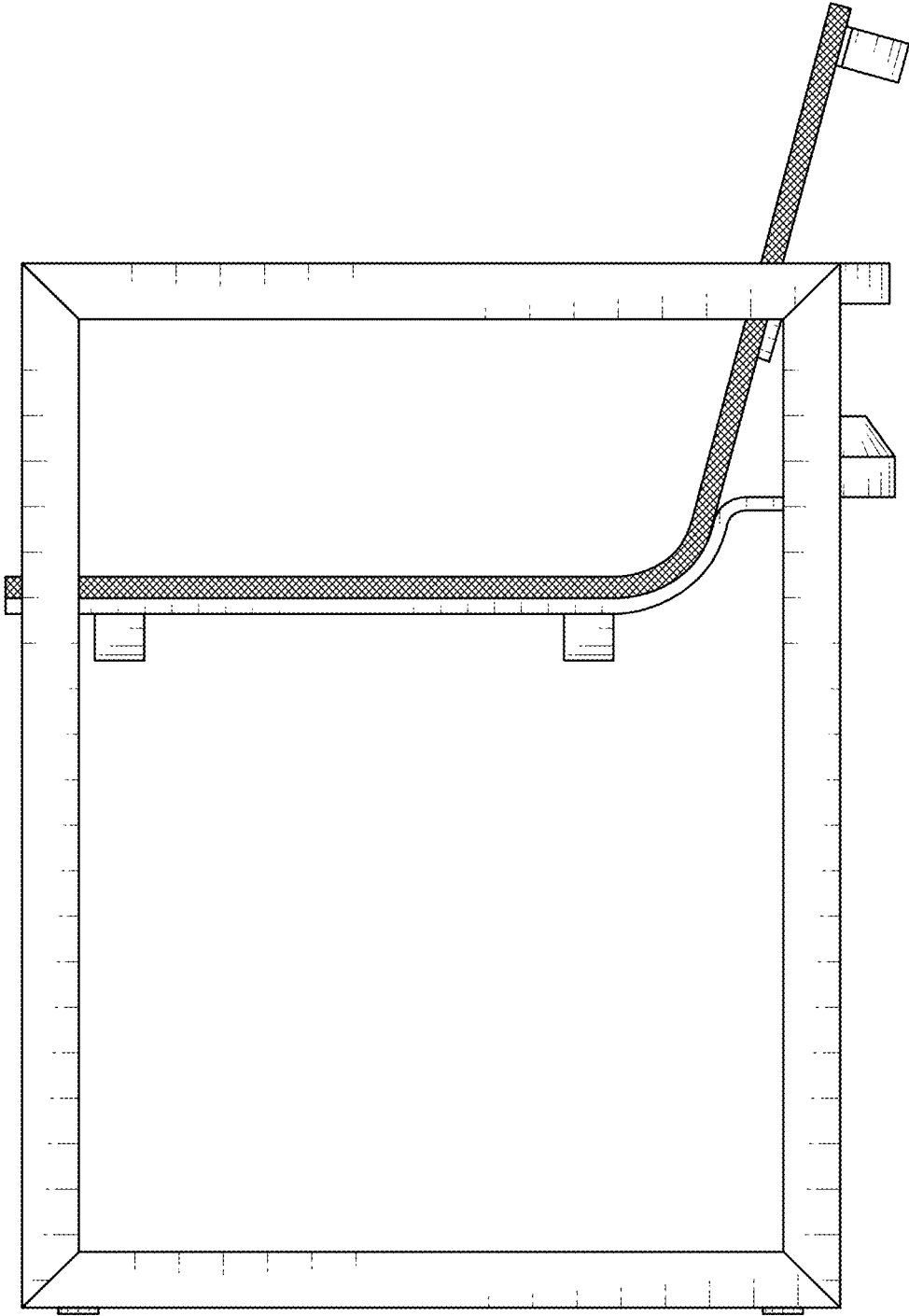


FIG. 6

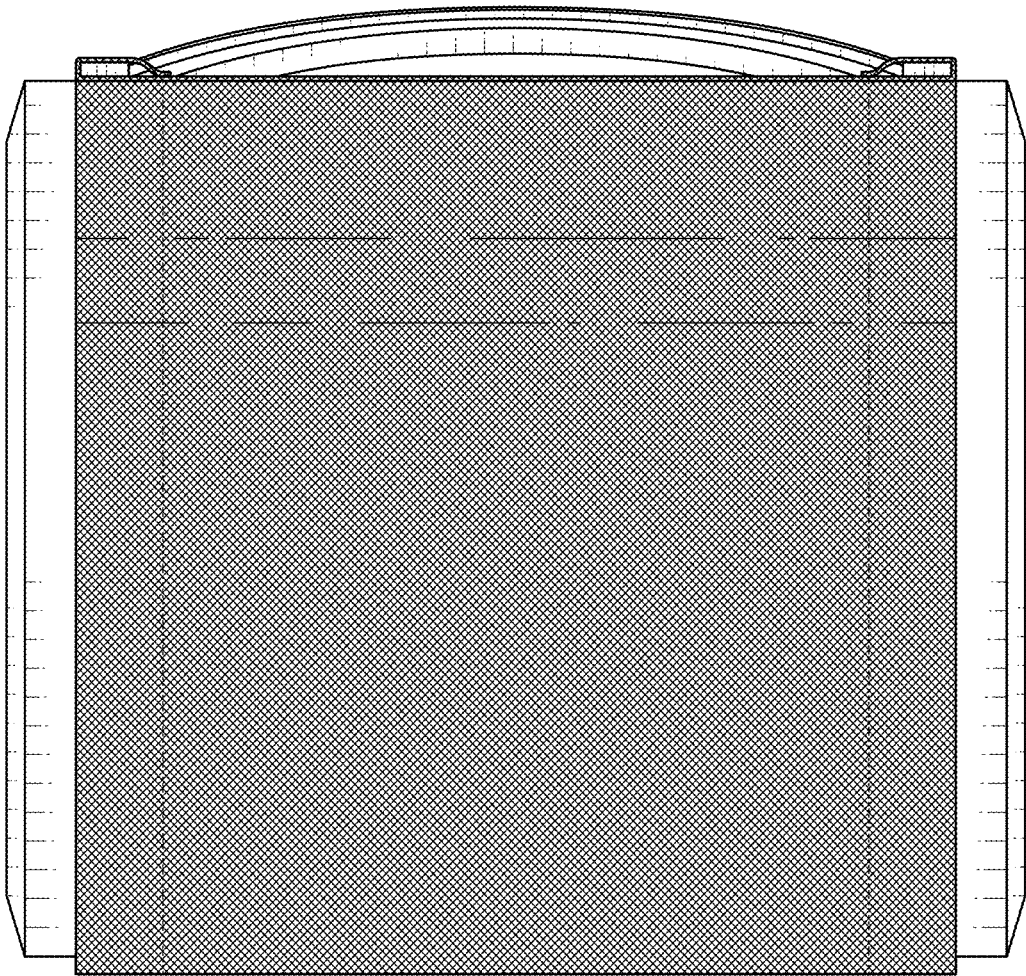


FIG. 7

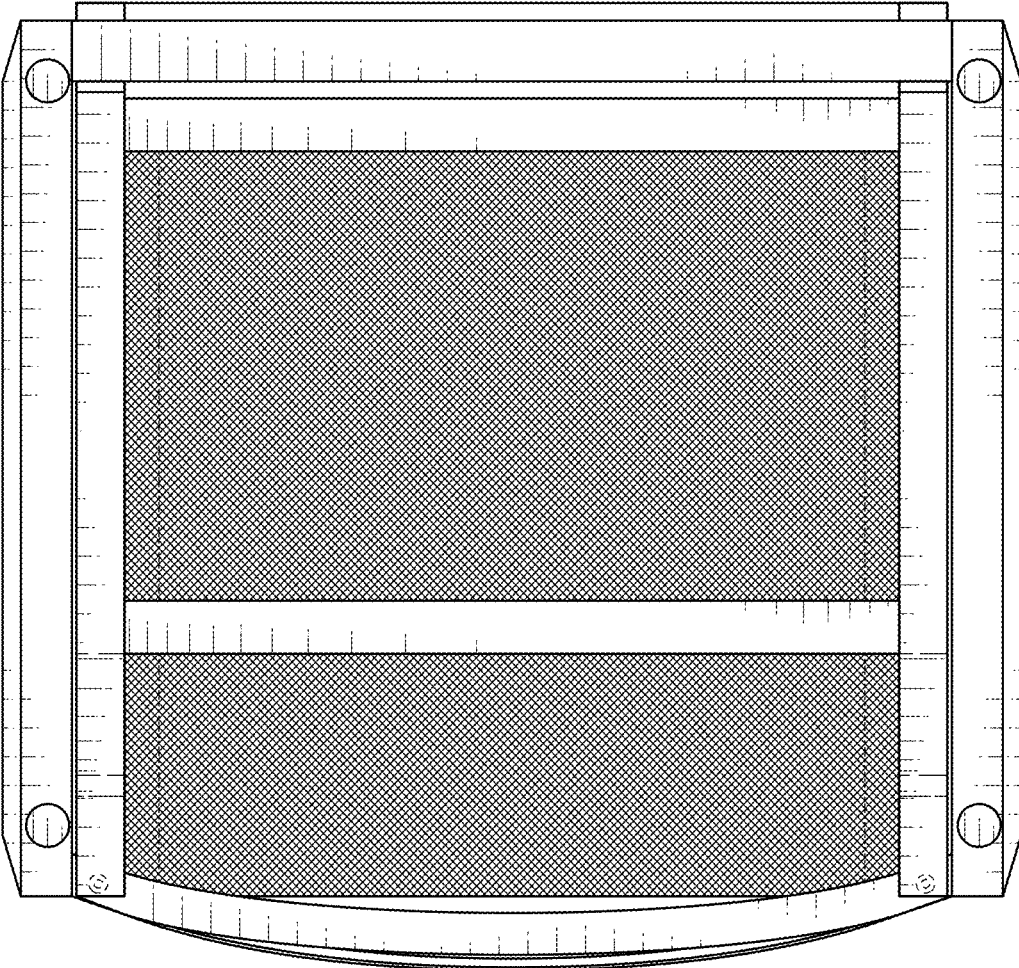


FIG. 8