



- (51) International Patent Classification:
A61B 17/072 (2006.01)
- (21) International Application Number:
PCT/US2013/033999
- (22) International Filing Date:
27 March 2013 (27.03.2013)
- (25) Filing Language: English
- (26) Publication Language: English
- (30) Priority Data:
13/433,115 28 March 2012 (28.03.2012) US
- (71) Applicant: ETHICON ENDO-SURGERY, INC.
[US/US]; 4545 Creek Road, #97, Cincinnati, Ohio 45242 (US).
- (72) Inventors: VASUDEVAN, Venkataramanan Mandakolathur; 11321 Village Brook Drive, Apartment 2228, Cincinnati, Ohio 45249 (US). HENDERSON, Cortney E.; 191 Hounds Run, Loveland, Ohio 45140 (US). ARONHALT, Taylor W.; 306 Beech Road, Loveland, Ohio 45140 (US). ALDRIDGE, Jeffrey L.; 106 W. Concord Drive, Lebanon, Ohio 45036 (US). SCHEIB, Charles J.; 11329 Donwiddle Drive, Loveland, Ohio 45140 (US). YANG, Chunlin; 93 Mathews Farm Road, Belle Mead, New Jersey 08502 (US). SCHALL, Christopher J.; 688 Whippoorwill Drive, Cincinnati, Ohio 45244 (US). BAXTER, Chester O., III; 6375 Pawnee

Ridge, Loveland, Ohio 45140 (US). SHELTON, Frederick E., IV; 245 East Main Street, Hillsboro, Ohio 45133 (US). CONTILIANO, Joseph H.; 303 Aldin Road, Stewartsville, New Jersey 08886 (US). WIDENHOUSE, Tamara; 1005 Arabian Run Drive, Clarksville, Ohio 45113 (US). KORVICK, Donna L.; 8158 Worcester Drive, Maineville, Ohio 45039 (US).

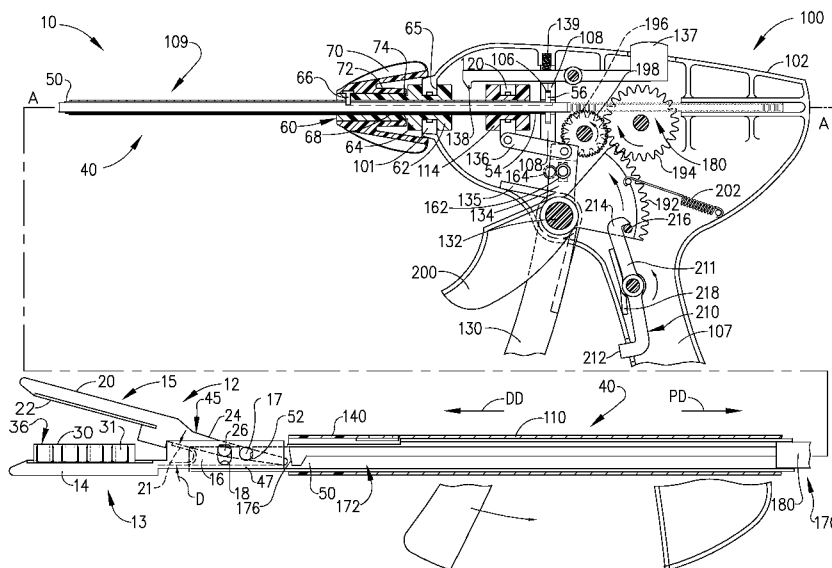
(74) Agents: JOHNSON, Philip S. et al.; Johnson & Johnson, One Johnson & Johnson Plaza, New Brunswick, New Jersey 08933 (US).

(81) Designated States (unless otherwise indicated, for every kind of national protection available): AE, AG, AL, AM, AO, AT, AU, AZ, BA, BB, BG, BH, BN, BR, BW, BY, BZ, CA, CH, CL, CN, CO, CR, CU, CZ, DE, DK, DM, DO, DZ, EC, EE, EG, ES, FI, GB, GD, GE, GH, GM, GT, HN, HR, HU, ID, IL, IN, IS, JP, KE, KG, KM, KN, KP, KR, KZ, LA, LC, LK, LR, LS, LT, LU, LY, MA, MD, ME, MG, MK, MN, MW, MX, MY, MZ, NA, NG, NI, NO, NZ, OM, PA, PE, PG, PH, PL, PT, QA, RO, RS, RU, RW, SC, SD, SE, SG, SK, SL, SM, ST, SV, SY, TH, TJ, TM, TN, TR, TT, TZ, UA, UG, US, UZ, VC, VN, ZA, ZM, ZW.

(84) Designated States (unless otherwise indicated, for every kind of regional protection available): ARIPO (BW, GH, GM, KE, LR, LS, MW, MZ, NA, RW, SD, SL, SZ, TZ, UG, ZM, ZW), Eurasian (AM, AZ, BY, KG, KZ, RU, TJ, TM), European (AL, AT, BE, BG, CH, CY, CZ, DE, DK,

[Continued on next page]

(54) Title: TISSUE THICKNESS COMPENSATOR COMPRISING A RESERVOIR



(57) Abstract: In various embodiments, a tissue thickness compensator can comprise a compressible extracellular matrix and a bioabsorbable material dispersed within the extracellular matrix, wherein the bioabsorption of the bioabsorbable material is configured to leave behind channels in the extracellular matrix. The tissue thickness compensator can also comprise generation means for generating the ingrowth of tissue into the channels. In at least one embodiment, the tissue thickness compensator can comprise dissolvable wicking members which, when dissolved, can leave behind channels in the tissue thickness compensator. In certain embodiments, the tissue thickness compensator can comprise at least one rupturable capsule.

WO 2013/148764 A2

EE, ES, FI, FR, GB, GR, HR, HU, IE, IS, IT, LT, LU,
LV, MC, MK, MT, NL, NO, PL, PT, RO, RS, SE, SI, SK,
SM, TR), OAPI (BF, BJ, CF, CG, CI, CM, GA, GN, GQ,
GW, ML, MR, NE, SN, TD, TG).

— *as to the applicant's entitlement to claim the priority of
the earlier application (Rule 4.17(iii))*

Published:

— *without international search report and to be republished
upon receipt of that report (Rule 48.2(g))*

Declarations under Rule 4.17:

- *as to the identity of the inventor (Rule 4.17(i))*
- *as to applicant's entitlement to apply for and be granted
a patent (Rule 4.17(ii))*

END6843WOPCT3

TITLE

TISSUE THICKNESS COMPENSATOR COMPRISING A RESERVOIR

CROSS-REFERENCE TO RELATED APPLICATIONS

This non-provisional patent application is a continuation-in-part application under 35 U.S.C. §120 of U.S. Patent Application Ser. No. 13/097,891, entitled "Tissue Thickness Compensator For A Surgical Stapler Comprising An Adjustable Anvil, filed on April 29, 2011, which is a continuation-in-part application under 35 U.S.C. §120 of U.S. Patent Application Ser. No. 12/894,377, entitled "Selectively Orientable Implantable Fastener Cartridge", filed on September 30, 2010, the entire disclosures of which are hereby incorporated by reference herein.

BACKGROUND

[0001] The present invention relates to surgical instruments and, in various embodiments, to surgical cutting and stapling instruments and staple cartridges therefor that are designed to cut and staple tissue.

SUMMARY

[0002] The following is a non-exhaustive list of embodiments of the present invention that are or may be claimed.

1. A staple cartridge assembly, comprising:
 - a cartridge body, comprising:
 - a first row of staple cavities; and
 - a second row of staple cavities;
 - staples, wherein each staple is at least partially positionable within one of the staple cavities, and wherein each staple is movable between an unfired position and a fired position;
 - a compressible tissue thickness compensator, wherein said staples are configured to at least partially capture the tissue thickness compensator when the staples are moved between their unfired positions and their fired positions; and

END6843WOPCT3

a medicament capsule positioned intermediate the first row of staple cavities and the second row of staple cavities, wherein the staple cavities and the staples are configured and arranged such that the staples do not puncture the medicament capsule when the staples are moved between their unfired positions and their fired positions, and wherein the medicament capsule comprises a shell at least partially comprised of a bioabsorbable material.

2. The staple cartridge assembly of Embodiment 1, wherein the medicament capsule further comprises a medicament positioned within the shell, and wherein after sufficient bioabsorption of the shell, the medicament can be released from the medicament capsule.
3. The staple cartridge assembly of Embodiment 2, wherein the shell is configured to flex such that the shell does not rupture when a compressive load is applied thereto.
4. The staple cartridge assembly of any preceding Embodiment, wherein the medicament capsule comprises a port, and wherein a medicament can be introduced into the shell through the port.
5. The staple cartridge assembly of any preceding Embodiment, wherein the medicament capsule comprises a network of tubes in fluid communication with each other.
6. A staple cartridge assembly, comprising:
 - a cartridge body comprising a plurality of staple cavities;
 - staples, wherein each staple is at least partially positionable within one of the staple cavities, and wherein each staple is movable between an unfired position and a fired position;
 - a compressible tissue thickness compensator, wherein the staples are configured to at least partially capture the tissue thickness compensator when the staples are moved between their unfired positions and their fired positions; and
 - a plurality of medicament capsules positioned within the tissue thickness compensator, wherein each medicament capsule is positioned over one of the staple cavities, and wherein the staple cavities and the staples are configured and arranged such that the medicament capsules are

END6843WOPCT3

crushed within the staples when the staples are moved between their unfired positions and their fired positions.

7. The staple cartridge of Embodiment 6, wherein each medicament capsule comprises a tube including a shell and a medicament contained within the shell.
8. The staple cartridge of Embodiment 7, wherein each tube extends along a tube axis, and wherein each tube axis extends into one of the staple cavities.
9. The staple cartridge of any one of Embodiments 6-8, wherein the cartridge body further comprises a slot configured to receive a cutting member therein, and wherein the staple cartridge further comprises at least one second medicament capsule positioned over the slot.
10. A staple cartridge assembly, comprising:
 - a cartridge body comprising a plurality of staple cavities;
 - staples, wherein each staple is at least partially positionable within one of the staple cavities, and wherein each staple is movable between an unfired position and a fired position;
 - a compressible tissue thickness compensator, wherein the staples are configured to at least partially capture the tissue thickness compensator when the staples are moved between their unfired positions and their fired positions; and
 - a plurality of medicament capsules positioned within the tissue thickness compensator, wherein each medicament capsule comprises a shell, a cavity defined in the shell, and a medicament positioned in the cavity, wherein the shell comprises a through-hole extending into the cavity, and wherein the medicament can flow out of the medicament capsule through the through-hole.
11. The staple cartridge of Embodiment 10, wherein the tissue thickness compensator is comprised of gelatin.
12. The staple cartridge of Embodiment 11, wherein the shell is comprised of an absorbable polymer.

END6843WOPCT3

13. A method of manufacturing a tissue thickness compensator, the method comprising:
preparing a plurality of capsules including a cavity and at least one opening in communication with the cavity;
placing a medicament in the cavities of the capsules through the openings;
closing the openings of the capsules; and
encapsulating at least a portion of the capsules in a material.
14. The method of Embodiment 13, wherein the encapsulating comprises placing the capsules in a fluid and lyophilizing the fluid.
15. The method of Embodiment 13, wherein the encapsulating comprises preparing apertures in the material and positioning the capsules in the apertures.
16. The method of any one of Embodiments 13-15, wherein closing the openings in the capsules comprises heat-staking the capsules.
17. The method of any one of Embodiments 13-15, wherein closing the openings in the capsules comprises placing a polymeric material over the openings.
18. The method of any one of Embodiments 13-17, wherein the capsules comprise hollow tubes, and wherein preparing the capsules comprises constructing the tubes using an injection molding process.
19. A staple cartridge, comprising:
a cartridge body comprising a deck and a plurality of cavities;
staples removably positioned within some of the cavities;
piercing members removably positioned within some of the cavities, wherein each piercing member is movable between a unfired position and a fired position when the piercing members are ejected from the cavities; and

END6843WOPCT3

a compressible compensator positioned above the deck, wherein the compensator comprises at least one capsule positioned over the piercing members, and wherein the piercing members are configured to pierce the at least one capsule when the piercing members are moved into their fired positions.

20. The staple cartridge of Embodiment 19, wherein each staple is defined by a staple height, wherein each piercing member is defined by a piercing height, and wherein the piercing height is shorter than the staple height.

21. The staple cartridge of Embodiment 19 or Embodiment 20, wherein the compressible compensator comprises a tissue-contacting surface, and wherein the piercing members are sized and configured such that the piercing members do not pierce the tissue-contacting surface.

22. The staple cartridge of any one of Embodiments 19-21, wherein the piercing members are comprised of a bioabsorbable material, and wherein the staples are comprised of stainless steel.

23. The staple cartridge of any one of Embodiments 19-22, wherein the piercing members further comprise a medicament.

24. A staple cartridge assembly, comprising:
a cartridge body, comprising:
a deck;
a plurality of staple cavities defined in the deck; and
a slot configured to receive a cutting member;
staples, wherein each staple is removably positioned within one of the staple cavities, and wherein each staple is movable between an unfired position and a fired position;
a compressible tissue thickness compensator, wherein the staples are configured to at least partially capture the tissue thickness compensator when the staples are moved between their unfired positions and their fired positions;
a plurality of first medicament capsules positioned within the tissue thickness compensator; and

END6843WOPCT3

a plurality of second medicament capsules positioned within the tissue thickness compensator; wherein the first medicament capsules and the second medicament capsules are positioned relative to the slot, and wherein the cutting member is configured to incise the first medicament capsules and the second medicament capsules when the cutting member is moved within the slot.

25. The staple cartridge of Embodiment 24, wherein the first medicament capsules and the second medicament capsules are positioned in an alternating arrangement.

26. The staple cartridge of Embodiment 24 or Embodiment 25, wherein the first medicament capsules and the second medicament capsules are positioned within the slot.

27. The staple cartridge of any one of Embodiments 24-26, wherein the deck comprises a plurality of recesses, and wherein the first medicament capsules and the second medicament capsules are positioned in the recesses.

28. The staple cartridge of any one of Embodiments 24-27, wherein the first medicament capsules and the second medicament capsules are positioned within the tissue thickness compensator over the slot.

29. A tissue thickness compensator for use with a fastening instrument, the tissue thickness compensator comprising:

a compressible layer configured to be at least partially captured by fasteners; and

a capsule embedded in the compressible layer, wherein the capsule comprises:

a shell comprised of a bioabsorbable material;

a cavity defined within the shell;

a medicament contained within the cavity; and

wicking members extending from the shell, wherein the wicking members are configured to absorb bodily fluids and provide a path for the bodily fluids to flow to the shell.

END6843WOPCT3

30. The tissue thickness compensator of Embodiment 29, wherein the bioabsorbable material is a first bioabsorbable material configured to bioabsorb at a first rate, wherein the wicking members are comprised of the first bioabsorbable material, wherein the compressible layer is comprised of a second bioabsorbable material configured to bioabsorb at a second rate, and wherein the first rate is greater than the second rate.

31. The tissue thickness compensator of Embodiment 30, wherein the bioabsorption of the wicking members is configured to leave behind channels in the compressible layer.

32. The tissue thickness compensator of Embodiment 30 or Embodiment 31, wherein the bioabsorbable material is comprised of gelatin.

33. The tissue thickness compensator of any one of Embodiments 29-32, wherein the wicking members comprise support legs configured to support the compressible layer.

34. The tissue thickness compensator of any one of Embodiments 29-33, wherein the shell comprises an extruded tube.

35. A tissue thickness compensator for use with a fastening instrument, the tissue thickness compensator comprising:

a compressible extracellular matrix;

a bioabsorbable material dispersed within the extracellular matrix, wherein the bioabsorption of the bioabsorbable material is configured to leave behind channels in the extracellular matrix; and

generation means for generating the ingrowth of tissue into the channels.

36. The tissue thickness compensator of Embodiment 35, wherein the generation means comprises at least one of stem cells, platelet rich plasma, and growth factors.

END6843WOPCT3

37. The tissue thickness compensator of Embodiment 35 or Embodiment 36, wherein the extracellular matrix is comprised from at least one of skeletonized omentum and a regenerative material.

38. The tissue thickness compensator of any one of Embodiments 35-37, wherein the extracellular matrix is comprised of randomly-oriented hydrophilic fibers.

BRIEF DESCRIPTION OF THE DRAWINGS

[0003] The features and advantages of this invention, and the manner of attaining them, will become more apparent and the invention itself will be better understood by reference to the following description of embodiments of the invention taken in conjunction with the accompanying drawings, wherein:

[0004] FIG. 1 is a cross-sectional view of a surgical instrument embodiment;

[0005] FIG. 1A is a perspective view of one embodiment of an implantable staple cartridge;

[0006] FIGS. 1B-1E illustrate portions of an end effector clamping and stapling tissue with an implantable staple cartridge;

[0007] FIG. 2 is a partial cross-sectional side view of another end effector coupled to a portion of a surgical instrument with the end effector supporting a surgical staple cartridge and with the anvil thereof in an open position;

[0008] FIG. 3 is another partial cross-sectional side view of the end effector of FIG. 2 in a closed position;

[0009] FIG. 4 is another partial cross-sectional side view of the end effector of FIGS. 2 and 3 as the knife bar is starting to advance through the end effector;

[0010] FIG. 5 is another partial cross-sectional side view of the end effector of FIGS. 2-4 with the knife bar partially advanced therethrough;

[0011] FIG. 6 is a perspective view of an alternative staple cartridge embodiment installed in a surgical cutting and stapling device;

[0012] FIG. 7 is a top view of the surgical staple cartridge and elongated channel of the device depicted in FIG. 6;

[0013] FIG. 8 is a top view of another surgical staple cartridge embodiment installed in an elongated channel of an end effector;

END6843WOPCT3

[0014] FIG. 9 is a bottom view of an anvil;

[0015] FIG. 10 is a partial perspective view of a plurality of staples forming a portion of a staple line;

[0016] FIG. 11 is another partial perspective view of the staple line of FIG. 10 with the staples thereof after being formed by being contacted by the anvil of the surgical cutting and stapling device;

[0017] FIG. 12 is a partial perspective view of alternative staples forming a portion of another staple line;

[0018] FIG. 13 is a partial perspective view of alternative staples forming a portion of another staple line;

[0019] FIG. 14 is a partial perspective view of alternative staples forming a portion of another staple line embodiment;

[0020] FIG. 15 is a cross-sectional view of an end effector supporting a staple cartridge;

[0021] FIG. 16 is a cross-sectional view of the elongated channel portion of the end effector of FIG. 15 after the implantable staple cartridge body portion and staples have been removed therefrom;

[0022] FIG. 17 is a cross-sectional view of an end effector supporting another staple cartridge;

[0023] FIGS. 18A-18D diagram the deformation of a surgical staple positioned within a collapsible staple cartridge body in accordance with at least one embodiment;

[0024] FIG. 19A is a diagram illustrating a staple positioned in a crushable staple cartridge body;

[0025] FIG. 19B is a diagram illustrating the crushable staple cartridge body of FIG. 19A being crushed by an anvil;

[0026] FIG. 19C is a diagram illustrating the crushable staple cartridge body of FIG. 19A being further crushed by the anvil;

[0027] FIG. 19D is a diagram illustrating the staple of FIG. 19A in a fully formed configuration and the crushable staple cartridge of FIG. 19A in a fully crushed condition;

[0028] FIG. 20 is a diagram depicting a staple positioned against a staple cartridge support surface and illustrating potential relative movement therebetween;

[0029] FIG. 21 is a cross-sectional view of a staple cartridge support surface comprising a slot, or trough, configured to stabilize the base of the staple of FIG. 20;

END6843WOPCT3

[0030] FIG. 22 is a cross-sectional view of a staple comprising an overmolded crown and a slot, or trough, configured to receive a portion of the crown in accordance with at least one alternative embodiment;

[0031] FIG. 23 is a top view of a staple cartridge in accordance with at least one embodiment comprising staples embedded in a collapsible staple cartridge body;

[0032] FIG. 24 is an elevational view of the staple cartridge of FIG. 23;

[0033] FIG. 25 is an elevational view of a staple cartridge in accordance with at least one embodiment comprising a protective layer surrounding staples positioned within a collapsible staple cartridge body;

[0034] FIG. 26 is a cross-sectional view of the staple cartridge of FIG. 25 taken along line 26-26 in FIG. 25;

[0035] FIG. 27 is an elevational view of a staple cartridge in accordance with at least one embodiment comprising staples at least partially extending outside of a collapsible staple cartridge body and a protective layer surrounding the staple cartridge body;

[0036] FIG. 28 is a cross-sectional view of the staple cartridge of FIG. 27 taken along line 28-28 in FIG. 27;

[0037] FIG. 29 is a partial break-away view of a staple cartridge in accordance with at least one embodiment comprising staples at least partially embedded in a collapsible staple cartridge body, the staples being at least partially positioned in a staple cavity void in the staple cartridge body;

[0038] FIG. 30 is a cross-sectional view of the staple cartridge of FIG. 29 taken along line 30-30 in FIG. 29;

[0039] FIG. 31 is a partial break-away view of a staple cartridge in accordance with at least one embodiment;

[0040] FIG. 32 is a partial break-away view of a staple cartridge in accordance with at least one embodiment comprising staples at least partially embedded within a collapsible staple cartridge body and an alignment matrix connecting the staples and aligning the staples with respect to each other;

[0041] FIG. 33 is a cross-sectional view of the staple cartridge of FIG. 32 taken along line 33-33 in FIG. 32;

END6843WOPCT3

[0042] FIG. 34 is partial cut-away view of an inner layer of a compressible staple cartridge body;

[0043] FIG. 35 is a diagram illustrating the inner layer of FIG. 34 compressed between a transfer plate and a support plate;

[0044] FIG. 36 is a diagram illustrating staples being inserted into the compressed inner layer of FIG. 35;

[0045] FIG. 37 is a diagram of the support plate of FIG. 35 being removed away from the inner layer;

[0046] FIG. 38 is a diagram of a subassembly comprising the inner layer of FIG. 34 and the staples of FIG. 36 being inserted into an outer layer;

[0047] FIG. 39 is a diagram illustrating the outer layer of FIG. 38 being sealed to form a sealed staple cartridge;

[0048] FIG. 40 is a cross-sectional view of the sealed staple cartridge of FIG. 39;

[0049] FIG. 41 is a cross-sectional view of a staple cartridge and staple cartridge channel in accordance with at least one embodiment;

[0050] FIG. 42 is a diagram illustrating a portion of the staple cartridge of FIG. 41 in a deformed state;

[0051] FIG. 43 is an elevational view of an end effector of a surgical stapler comprising an anvil in an open position and a staple cartridge positioned within a staple cartridge channel;

[0052] FIG. 44 is an elevational view of the end effector of FIG. 43 illustrating the anvil in a closed position and the staple cartridge compressed between the anvil and the staple cartridge channel;

[0053] FIG. 45 is an elevational view of the end effector of FIG. 43 illustrating the staple cartridge of FIG. 43 positioned within the staple cartridge channel in an alternative manner;

[0054] FIG. 46 is a cross-sectional view of an end effector of a surgical stapler comprising a compressible staple cartridge positioned within a staple cartridge channel and a piece of buttress material attached to an anvil;

[0055] FIG. 47 is a cross-sectional view of the end effector of FIG. 46 illustrating the anvil in a closed position;

[0056] FIG. 48 is a cross-sectional view of an alternative embodiment of an end effector of a surgical stapler comprising a staple cartridge comprising a water impermeable layer;

END6843WOPCT3

[0057] FIG. 49 is a cross-sectional view of another alternative embodiment of an end effector of a surgical stapler;

[0058] FIG. 50 is a cross-sectional view of an alternative embodiment of an end effector of a surgical stapler comprising a stepped anvil and a staple cartridge comprising a stepped cartridge body;

[0059] FIG. 51 is a cross-sectional view of another alternative embodiment of an end effector of a surgical stapler;

[0060] FIG. 52 is a cross-sectional view of an alternative embodiment of an end effector of a surgical stapler comprising inclined tissue-contacting surfaces;

[0061] FIG. 53 is a cross-sectional view of another alternative embodiment of an end effector of a surgical stapler comprising inclined tissue-contacting surfaces;

[0062] FIG. 54 is a cross-sectional view of an alternative embodiment of an end effector of a surgical stapler comprising a support insert configured to support a staple cartridge;

[0063] FIG. 55 is a cross-sectional view of an alternative embodiment of an end effector of a surgical stapler comprising a staple cartridge comprising a plurality of compressible layers;

[0064] FIG. 56 is a cross-sectional view of an alternative embodiment of an end effector of a surgical stapler comprising a staple cartridge comprising a stepped compressible cartridge body;

[0065] FIG. 57 is a cross-sectional view of another alternative embodiment of an end effector of a surgical stapler comprising a staple cartridge comprising a stepped compressible cartridge body;

[0066] FIG. 58 is a cross-sectional view of an alternative embodiment of an end effector of a surgical stapler comprising a staple cartridge comprising a curved tissue-contacting surface;

[0067] FIG. 59 is a cross-sectional view of an alternative embodiment of an end effector of a surgical stapler comprising a staple cartridge having an inclined tissue-contacting surface;

[0068] FIG. 60 is a cross-sectional view of a compressible staple cartridge comprising staples and at least one medicament stored therein;

[0069] FIG. 61 is a diagram illustrating the compressible staple cartridge of FIG. 60 after it has been compressed and the staples contained therein have been deformed;

[0070] FIG. 62 is a partial cut-away view of a staple cartridge in accordance with at least one embodiment;

[0071] FIG. 63 is a cross-sectional view of the staple cartridge of FIG. 62;

END6843WOPCT3

[0072] FIG. 64 is a perspective view of an implanted staple cartridge in accordance with at least one alternative embodiment;

[0073] FIG. 65 is a cross-sectional view of the implanted staple cartridge of FIG. 64;

[0074] FIG. 66 is a perspective view of an alternative embodiment of a staple cartridge comprising deformable members extending from an outer layer of the staple cartridge;

[0075] FIG. 67 is a perspective view of an alternative embodiment of a staple cartridge comprising an outer layer of the staple cartridge being assembled to an inner layer;

[0076] FIG. 68 is a cross-sectional view of an alternative embodiment of a staple cartridge comprising a plurality of staples, a compressible layer, and a pledget layer;

[0077] FIG. 69 is a perspective view of the pledget layer of FIG. 68;

[0078] FIG. 70 is a perspective view of a pledget singulated from the pledget layer of FIG. 68 and a staple aligned with a groove in the pledget;

[0079] FIG. 71 is a perspective view of two connected pledgets from the pledget layer of FIG. 68;

[0080] FIG. 72 is a perspective view of a pledget support frame of the pledget layer of FIG. 68 being removed from the singulated pledgets;

[0081] FIG. 73 is an exploded perspective view of an alternative embodiment of a compressible staple cartridge comprising staples therein and a system for driving the staples against an anvil;

[0082] FIG. 73A is a partial cut-away view of an alternative embodiment of the staple cartridge of FIG. 73;

[0083] FIG. 74 is a cross-sectional view of the staple cartridge of FIG. 73;

[0084] FIG. 75 is an elevational view of a sled configured to traverse the staple cartridge of FIG. 73 and move the staples toward the anvil;

[0085] FIG. 76 is a diagram of a staple driver which can be lifted toward the anvil by the sled of FIG. 75;

[0086] FIG. 77 is a break-away view of a staple cartridge in accordance with at least one alternative embodiment comprising staples positioned within staple drivers;

[0087] FIG. 78 is a cross-sectional view of the staple cartridge of FIG. 77 positioned within a staple cartridge channel;

END6843WOPCT3

[0088] FIG. 79 is a cross-sectional view of the staple cartridge of FIG. 77 illustrating an anvil moved into a closed position and staples contained within the staple cartridge deformed by the anvil;

[0089] FIG. 80 is a cross-sectional view of the staple cartridge of FIG. 77 illustrating the staples moved upwardly toward the anvil;

[0090] FIG. 81 is a perspective view of an alternative embodiment of a staple cartridge comprising straps connecting the flexible sides of the staple cartridge;

[0091] FIG. 82 is a perspective view of a sled and cutting member assembly;

[0092] FIG. 83 is a diagram of the sled and cutting member assembly of FIG. 82 being used to lift the staples of the staple cartridge of FIG. 77;

[0093] FIG. 84 is a diagram illustrating a sled configured to engage and lift staples toward an anvil and a lock-out system configured to selectively permit the sled to move distally;

[0094] FIGS. 85A-85C illustrate the progression of a staple being inserted into a staple crown;

[0095] FIG. 86 is a cross-sectional view of a staple cartridge comprising a support pan or retainer;

[0096] FIG. 87 is a partial cross-sectional view of a compressible staple cartridge in accordance with at least one alternative embodiment;

[0097] FIG. 88 is a diagram illustrating the staple cartridge of FIG. 87 in an implanted condition;

[0098] FIG. 89 is a partial cut-away view of a compressible staple cartridge in accordance with at least one alternative embodiment;

[0099] FIG. 90 is a partial cross-sectional view of the staple cartridge of FIG. 89;

[0100] FIG. 91 is a diagram illustrating the staple cartridge of FIG. 89 in an implanted condition;

[0101] FIG. 92 is a partial cross-sectional view of a crushable staple cartridge in accordance with at least one alternative embodiment;

[0102] FIG. 93 is a partial cut-away view of a collapsible staple cartridge in accordance with at least one embodiment comprising a plurality of collapsible elements;

[0103] FIG. 94 is a perspective view of a collapsible element of FIG. 93 in an uncollapsed state;

[0104] FIG. 95 is a perspective view of the collapsible element of FIG. 94 in a collapsed state;

END6843WOPCT3

[0105] FIG. 96A is a partial cross-sectional view of an end effector of a surgical stapling instrument comprising a jaw, a staple cartridge channel positioned opposite the jaw, and a staple cartridge positioned within the staple cartridge channel, wherein the jaw comprises a retention matrix attached thereto;

[0106] FIG. 96B is a partial cross-sectional view of the end effector of FIG. 96A illustrating the jaw being moved toward the staple cartridge channel, the staple cartridge being compressed by the anvil and the retention matrix, and a staple at least partially extending through tissue positioned intermediate the retention matrix and the staple cartridge;

[0107] FIG. 96C is a partial cross-sectional view of the end effector of FIG. 96A illustrating the jaw in a final position and the retention matrix engaged with the staple of FIG. 96B;

[0108] FIG. 96D is a partial cross-sectional view of the end effector of FIG. 96A illustrating the jaw and the staple cartridge channel being moved away from the implanted staple cartridge and retention matrix;

[0109] FIG. 97 is a perspective view of a retention aperture of a retention matrix in accordance with at least one alternative embodiment comprising a plurality of retention members configured to engage a fastener leg extending therethrough;

[0110] FIG. 98 is a perspective view of a retention aperture of a retention matrix in accordance with at least one alternative embodiment comprising six retention members;

[0111] FIG. 99 is a perspective view of a retention aperture of a retention matrix in accordance with at least one alternative embodiment comprising eight retention members;

[0112] FIG. 100 is a perspective view of a retention aperture of a retention matrix in accordance with at least one alternative embodiment comprising a plurality of retention members configured to engage a fastener leg extending therethrough;

[0113] FIG. 101 is a perspective view of a retention aperture of a retention matrix in accordance with at least one alternative embodiment comprising six retention members;

[0114] FIG. 102 is a perspective view of a retention aperture of a retention matrix in accordance with at least one alternative embodiment comprising eight retention members;

[0115] FIG. 103 is a perspective view of a retention aperture of a retention matrix in accordance with at least one alternative embodiment comprising a plurality of retention members that have been stamped from a sheet of metal;

END6843WOPCT3

[0116] FIG. 104 is a perspective view of a retention aperture of a retention matrix in accordance with at least one alternative embodiment comprising a plurality of apertures extending around the perimeter of the retention aperture;

[0117] FIG. 105 is a top view of a retention aperture of a retention matrix in accordance with at least one alternative embodiment;

[0118] FIG. 106 is a top view of a retention aperture of a retention matrix in accordance with at least one alternative embodiment;

[0119] FIG. 107 is a top view of a retention aperture of a retention matrix in accordance with at least one alternative embodiment;

[0120] FIG. 108 is a top view of a retention aperture of a retention matrix in accordance with at least one alternative embodiment;

[0121] FIG. 109 is a top view of a retention aperture of a retention matrix in accordance with at least one alternative embodiment;

[0122] FIG. 110 is a top view of a retention aperture of a retention matrix comprising a retention tab extending into the retention aperture in accordance with at least one embodiment;

[0123] FIG. 111 is a top view of a retention aperture of a retention matrix comprising a retention tab extending into the retention aperture in accordance with at least one alternative embodiment;

[0124] FIG. 112 is a perspective view of a fastening system comprising a plurality of staples, a retention matrix engaged with the staples, and an alignment matrix configured to align the staples;

[0125] FIG. 113 is a perspective view of the retention matrix of FIG. 112;

[0126] FIG. 114 is a perspective view of the alignment matrix of FIG. 112;

[0127] FIG. 115 is a partial top view of the retention matrix of FIG. 112 engaged with the staples of FIG. 112;

[0128] FIG. 116 is a partial bottom view of the retention matrix of FIG. 112 engaged with the staples of FIG. 112;

[0129] FIG. 117 is a partial elevational view of the fastening system of FIG. 112;

[0130] FIG. 118 is a partial perspective view of the fastening system of FIG. 112;

[0131] FIG. 119 is a partial cross-sectional view of the retention matrix of FIG. 112 engaged with the staples of FIG. 112;

END6843WOPCT3

[0132] FIG. 120 is a partial cross-sectional view of the fastening system of FIG. 112;

[0133] FIG. 121 is a perspective view of the fastening system of FIG. 112 further comprising protective caps assembled to the legs of the staples;

[0134] FIG. 122 is a bottom perspective view of the fastening system arrangement of FIG. 121;

[0135] FIG. 123 is a partial perspective view of the fastening system arrangement of FIG. 121;

[0136] FIG. 124 is a partial cross-sectional view of the fastening system arrangement of FIG. 121;

[0137] FIG. 125 is an elevational view of an end effector in accordance with at least one embodiment comprising a jaw in an open position, a retention matrix and a plurality of protective caps positioned in the jaw, and a staple cartridge positioned in a staple cartridge channel;

[0138] FIG. 126 is an elevational view of the end effector of FIG. 125 in a closed position;

[0139] FIG. 127 is an elevational view of the end effector of FIG. 125 in a fired position;

[0140] FIG. 128 is an elevational view of the retention matrix and protective caps of FIG. 125 assembled to the staple cartridge of FIG. 125;

[0141] FIG. 129 is a detail view of the arrangement of FIG. 128;

[0142] FIG. 130 is an elevational view of the end effector of FIG. 125 illustrating the jaw in an open position with thinner tissue positioned between the retention matrix and the staple cartridge;

[0143] FIG. 131 is an elevational view of the end effector of FIG. 125 illustrating the jaw in a closed position against the thinner tissue of FIG. 130;

[0144] FIG. 132 is an elevational view of the end effector of FIG. 125 illustrating the jaw in a fired position to capture the thinner tissue of FIG. 130 between the retention matrix and the staple cartridge;

[0145] FIG. 133 is an elevational view of the retention matrix and the protective caps of FIG. 125 assembled to the staple cartridge of FIG. 125 with the thin tissue of FIG. 130 positioned therebetween;

[0146] FIG. 134 is a detail view of the arrangement of FIG. 133;

[0147] FIG. 135 is a cross-sectional view of a protective cap positioned on the tip of a staple leg in accordance with at least one alternative embodiment;

[0148] FIG. 136 is a perspective view of a plurality of protective caps embedded within a sheet of material;

END6843WOPCT3

[0149] FIG. 137 is a perspective view of a jaw comprising a plurality of recesses configured to receive a plurality of protective caps therein;

[0150] FIG. 138 is a detail view of a portion of a jaw comprising a sheet covering the protective caps positioned within the jaw of FIG. 137;

[0151] FIG. 139 is a cross-sectional view of a protective cap positioned on a tip of a staple leg in accordance with at least one alternative embodiment wherein the protective cap comprises an interior forming surface;

[0152] FIG. 140 is another cross-sectional view of the protective cap of FIG. 139 illustrating the staple leg being deformed against the forming surface;

[0153] FIG. 141 is a top view of an alternative embodiment of a retention matrix comprising a plurality of connected matrix elements;

[0154] FIG. 142 is a top view of an alternative embodiment of a retention matrix comprising a plurality of connected matrix elements;

[0155] FIG. 143 is a top view of an alternative embodiment of a retention matrix comprising a plurality of connected matrix elements;

[0156] FIG. 144 is a top view of an alternative embodiment of an array of retention matrices comprising a plurality of connected matrix elements;

[0157] FIG. 145 is a top view of an alternative embodiment of a retention matrix comprising a plurality of connected matrix elements;

[0158] FIG. 146 is a partial exploded view of a jaw comprising a retention matrix including a compressible cover;

[0159] FIG. 147 is a detail view of the retention matrix of FIG. 146;

[0160] FIG. 148 is a partial cross-sectional view of a fastening system comprising a retention matrix including a compressible layer and a plurality of cells encapsulating one or more medicaments;

[0161] FIG. 149 is a diagram illustrating staple legs which have pierced the cells of FIG. 148 as they are being engaged with the retention matrix;

[0162] FIG. 150 is a partial cross-sectional view of a fastening system comprising a retention matrix including a compressible layer;

[0163] FIG. 151 is an elevational view of a fastener cartridge insertion assembly comprising a holder, a first fastener cartridge, and a second fastener cartridge;

END6843WOPCT3

[0164] FIG. 152 is an elevational view of an end effector of a surgical stapler comprising a first jaw and a second jaw, the second jaw being illustrated in an open configuration;

[0165] FIG. 153 is an elevational view of the end effector of FIG. 152 illustrating the second jaw in a closed configuration and the fastener cartridge insertion assembly of FIG. 151 being used to load the first jaw with the first cartridge and the second jaw with the second cartridge;

[0166] FIG. 154 is an elevational view of the loaded end effector of FIG. 153 illustrating the cartridge insertion assembly removed from the end effector, the second jaw in an open configuration once again, and tissue positioned intermediate the first jaw and the second jaw;

[0167] FIG. 155 is an elevational view of the loaded end effector of FIG. 154 in a fired configuration;

[0168] FIG. 156 is an elevational view of the first cartridge and the second cartridge in an implanted condition;

[0169] FIG. 157 is an elevational view of the end effector of FIG. 152 illustrating a portion of the first cartridge still engaged with the first jaw in accordance with at least one embodiment;

[0170] FIG. 158 is an elevational view of an alternative embodiment of a fastener cartridge insertion assembly comprising a holder, a first fastener cartridge, and a second fastener cartridge;

[0171] FIG. 159 is an elevational view of the fastener cartridge insertion assembly of FIG. 158 being used to load a first jaw of an end effector with the first cartridge and a second jaw with the second cartridge;

[0172] FIG. 160 is a cross-sectional view of the loaded end effector of FIG. 159;

[0173] FIG. 161 is a perspective view of a surgical stapler comprising a bottom jaw and a top jaw in accordance with at least one embodiment illustrated with portions of the surgical stapler removed;

[0174] FIG. 162 is a perspective view of the surgical stapler of FIG. 161 with the top jaw removed;

[0175] FIG. 163 is a perspective view of a slidable anvil system of the top jaw of the surgical stapler of FIG. 161 comprising a first slidable anvil and a second slidable anvil;

[0176] FIG. 164 is an end view of the slidable anvil system of FIG. 163;

[0177] FIG. 165 is a top view of the slidable anvil system of FIG. 163;

[0178] FIG. 166 is a diagram illustrating the slidable anvil system of FIG. 163 in an unfired condition;

END6843WOPCT3

[0179] FIG. 167 is a diagram illustrating the first slidable anvil of the slidable anvil system of FIG. 163 in an unfired position and staples positioned within the bottom jaw in an undeployed position;

[0180] FIG. 168 is a diagram illustrating the staples in the bottom jaw in a deployed configuration and the first slidable anvil of FIG. 167 being pulled proximally to deform a first group of staple legs of the staples;

[0181] FIG. 169 is a diagram illustrating the first group of staples of FIG. 168 deformed to a fully deformed state;

[0182] FIG. 170 is a diagram illustrating the second slidable anvil of the slidable anvil system of FIG. 163 being pushed distally to deform a second group of staple legs;

[0183] FIG. 171 is a partial perspective view of an anvil comprising a plurality of forming pockets in at least one embodiment;

[0184] FIG. 172 is a cross-sectional end view of the anvil of FIG. 171;

[0185] FIG. 173 is a diagram illustrating a first step in manufacturing the forming pockets of FIG. 171;

[0186] FIG. 174 is a diagram illustrating a second step in manufacturing the forming pockets of FIG. 171;

[0187] FIG. 175 is a top view of the forming pocket arrangement of the anvil of FIG. 171;

[0188] FIG. 176 is a diagram illustrating a first step of a manufacturing process for producing an anvil;

[0189] FIG. 177 is a diagram illustrating a second step in the manufacturing process of FIG. 176;

[0190] FIG. 178 is a diagram illustrating a third step in the manufacturing process of FIG. 176;

[0191] FIG. 179 is a left front perspective view of a surgical stapling and severing instrument with a handle portion including a link triggered automatic retraction and a ratcheting manual retraction mechanism;

[0192] FIG. 180 is a right aft perspective view of the surgical stapling and severing instrument of FIG. 179 with a portion of an elongate shaft cut away and a right half shell of a handle housing removed to expose an automatic end-of-firing travel retraction mechanism and a manual firing retraction mechanism;

[0193] FIG. 181 is a right aft perspective disassembled view of the handle portion and an

END6843WOPCT3

elongate shaft of the surgical stapling and severing instrument of FIG. 179;

[0194] FIG. 182 is a right aft perspective view of the surgical stapling and severing instrument of FIG. 31 with a right half shell and outer portions of the implement portion removed to expose the closure and firing mechanisms in an initial state;

[0195] FIG. 183 is a right side view in elevation of the partially disassembled surgical stapling and severing instrument of FIG. 182;

[0196] FIG. 184 is a right aft perspective view of the partially disassembled surgical stapling and severing instrument of FIG. 182 with a closure mechanism closed and clamped and the side pawl firing mechanism completing a first stroke and with a manual retraction mechanism removed to expose a distal link of the linked rack that triggers automatic retraction of the firing mechanism;

[0197] FIG. 185 is a right aft perspective view of the partially disassembled surgical stapling and severing instrument of FIG. 183 with the side pawl firing mechanism disengaged and the distal link approaching automatic retraction;

[0198] FIG. 186 is left side view in elevation of the partially disassembled surgical stapling and severing instrument of FIG. 183 in an initial state of end effector open and anti-backup mechanism engaged;

[0199] FIG. 187 is a left side detail view of the right half shell and an anti-backup release lever of the handle portion of FIG. 186;

[0200] FIG. 188 is a left side detail view in elevation of the disassembled surgical stapling and severing instrument of FIG. 179 with the closure trigger clamped, the firing trigger performing a final stroke and the distal link positioned to trip automatic retraction;

[0201] FIG. 189 is a left side detail in elevation of the disassembled surgical stapling and severing instrument of FIG. 188 immediately after the distal link has actuated and locked forward the anti-backup release lever, allowing the linked rack to retract;

[0202] FIG. 190 is a right disassembled perspective view of the idler and aft gears and manual retraction lever and ratcheting pawl of a manual retraction mechanism of the surgical stapling and severing instrument of FIG. 179;

[0203] FIG. 191 is a right perspective view of the manual retraction mechanism of FIG. 190 with the manual retraction lever partially cut away to expose a smaller diameter ratchet gear on the aft gear engaging the ratcheting pawl;

END6843WOPCT3

[0204] FIG. 192 is a partially disassembled left side view in elevation of a surgical stapling and severing instrument of FIG. 179 with the anti-backup mechanism engaged to a fully fired linked rack that is disconnected from a combination tension/compression spring prior to actuation of the manual retraction lever of FIG. 190;

[0205] FIG. 193 is a partially disassembled left side view in elevation of the surgical stapling and severing instrument of FIG. 192 with hidden portions of the anti-backup release lever, aft gear, and manual firing release lever shown in phantom;

[0206] FIG. 194 is a partially disassembled left side view in elevation of the surgical stapling and severing instrument of FIG. 193 after actuation of the manual firing release lever has manually retracted the link rack;

[0207] FIG. 195 is a partially disassembled left side view in elevation of the surgical stapling and severing instrument of FIG. 194 with the linked rack omitted depicting the manual firing release lever disengaging the anti-backup mechanism;

[0208] FIG. 196 is a left side detail view of an alternative anti-backup release lever and handle housing for the surgical stapling and severing instrument of FIG. 179;

[0209] FIG. 197 is a left perspective disassembled view of the alternative anti-backup release lever, aft gear axle, and automatic retraction cam wheel of FIG. 196;

[0210] FIG. 198 is a right side view in elevation of the alternative anti-backup release mechanism of FIG. 196 with the linked rack in a retracted position and the anti-backup release lever proximally positioned with the anti-backup plate engaged to the firing rod;

[0211] FIG. 198A is a right detail side view in elevation of the aft gear, automatic retraction cam wheel and distal-most link of FIG. 198;

[0212] FIG. 199 is a right side view in elevation of the anti-backup release mechanism of FIG. 198 after a first firing stroke;

[0213] FIG. 199A is a right detail side view in elevation of the aft gear, automatic retraction cam wheel and a second link of FIG. 199;

[0214] FIG. 200 is a right side view in elevation of the anti-backup release mechanism of FIG. 199 after a second firing stroke;

[0215] FIG. 200A is a right detail side view in elevation of the aft gear, automatic retraction cam wheel and third link of FIG. 200;

[0216] FIG. 201 is a right detail side view in elevation of the anti-backup release mechanism of

END6843WOPCT3

FIG. 200 after a third firing and final stroke;

[0217] FIG. 201A is a right detail side view in elevation of the aft gear, automatic retraction cam wheel and proximal-most fourth link of FIG. 201;

[0218] FIG. 202 is a right side view in elevation of the automatic release mechanism of FIG. 201 after a further firing stroke causes the automatic retraction cam wheel to distally slide and lock the anti-backup release lever, disengaging the anti-backup mechanism;

[0219] FIG. 203 is a left, front perspective view of an open staple applying assembly with a right half portion of a replaceable staple cartridge included in a staple channel;

[0220] FIG. 204 is an exploded perspective view of the staple applying assembly of FIG. 203 with a complete replaceable staple cartridge and an nonarticulating shaft configuration;

[0221] FIG. 205 is a perspective view of a two-piece knife and firing bar ("E-beam") of the staple applying assembly of FIG. 203;

[0222] FIG. 206 is a perspective view of a wedge sled of a staple cartridge of a staple applying assembly;

[0223] FIG. 207 is a left side view in elevation taken in longitudinal cross section along a centerline line 207-207 of the staple applying assembly of FIG. 203;

[0224] FIG. 208 is a perspective view of the open staple applying assembly of FIG. 203 without the replaceable staple cartridge, a portion of the staple channel proximate to a middle pin of two-piece knife and firing bar, and without a distal portion of a staple channel;

[0225] FIG. 209 is a front view in elevation taken in cross section along line 209-209 of the staple applying assembly of FIG. 203 depicting internal staple drivers of the staple cartridge and portions of the two-piece knife and firing bar;

[0226] FIG. 210 is a left side view in elevation taken generally along the longitudinal axis of line 207-207 of a closed staple applying assembly of FIG. 203 to include center contact points between the two-piece knife and wedge sled but also laterally offset to show staples and staple drivers within the staple cartridge;

[0227] FIG. 211 is a left side detail view in elevation of the staple applying assembly of FIG. 210 with the two-piece knife retracted slightly more as typical for staple cartridge replacement;

[0228] FIG. 212 is a left side detail view in elevation of the staple applying assembly of FIG. 211 with the two-piece knife beginning to fire, corresponding to the configuration depicted in FIG. 210;

END6843WOPCT3

- [0229] FIG. 213 is a left side cross-sectional view in elevation of the closed staple applying assembly of FIG. 210 after the two-piece knife and firing bar has distally fired;
- [0230] FIG. 214 is a left side cross-sectional view in elevation of the closed staple applying assembly of FIG. 213 after firing of the staple cartridge and retraction of the two-piece knife;
- [0231] FIG. 215 is a left side cross-sectional detail view in elevation of the staple applying assembly of FIG. 214 with the two-piece knife allowed to drop into a lockout position;
- [0232] FIG. 216 is a perspective view of a staple cartridge comprising a rigid support portion and a compressible tissue thickness compensator for use with a surgical stapling instrument in accordance with at least one embodiment of the invention;
- [0233] FIG. 217 is a partially exploded view of the staple cartridge of FIG. 216;
- [0234] FIG. 218 is a fully exploded view of the staple cartridge of FIG. 216;
- [0235] FIG. 219 is another exploded view of the staple cartridge of FIG. 216 without a warp covering the tissue thickness compensator;
- [0236] FIG. 220 is a perspective view of a cartridge body, or support portion, of the staple cartridge of FIG. 216;
- [0237] FIG. 221 is a top perspective view of a sled movable within the staple cartridge of FIG. 216 to deploy staples from the staple cartridge;
- [0238] FIG. 222 is a bottom perspective view of the sled of FIG. 221;
- [0239] FIG. 223 is an elevational view of the sled of FIG. 221;
- [0240] FIG. 224 is a top perspective view of a driver configured to support one or more staples and to be lifted upwardly by the sled of FIG. 221 to eject the staples from the staple cartridge;
- [0241] FIG. 225 is a bottom perspective view of the driver of FIG. 224;
- [0242] FIG. 226 is a wrap configured to at least partially surround a compressible tissue thickness compensator of a staple cartridge;
- [0243] FIG. 227 is a partial cut away view of a staple cartridge comprising a rigid support portion and a compressible tissue thickness compensator illustrated with staples being moved from an unfired position to a fired position during a first sequence;
- [0244] FIG. 228 is an elevational view of the staple cartridge of FIG. 227;
- [0245] FIG. 229 is a detail elevational view of the staple cartridge of FIG. 227;
- [0246] FIG. 230 is a cross-sectional end view of the staple cartridge of FIG. 227;
- [0247] FIG. 231 is a bottom view of the staple cartridge of FIG. 227;

END6843WOPCT3

[0248] FIG. 232 is a detail bottom view of the staple cartridge of FIG. 227;

[0249] FIG. 233 is a longitudinal cross-sectional view of an anvil in a closed position and a staple cartridge comprising a rigid support portion and a compressible tissue thickness compensator illustrated with staples being moved from an unfired position to a fired position during a first sequence;

[0250] FIG. 234 is another cross-sectional view of the anvil and the staple cartridge of FIG. 233 illustrating the anvil in an open position after the firing sequence has been completed;

[0251] FIG. 235 is a partial detail view of the staple cartridge of FIG. 233 illustrating the staples in an unfired position;

[0252] FIG. 236 is a cross-sectional elevational view of a staple cartridge comprising a rigid support portion and a compressible tissue thickness compensator illustrating the staples in an unfired position;

[0253] FIG. 237 is a detail view of the staple cartridge of FIG. 236;

[0254] FIG. 238 is an elevational view of an anvil in an open position and a staple cartridge comprising a rigid support portion and a compressible tissue thickness compensator illustrating the staples in an unfired position;

[0255] FIG. 239 is an elevational view of an anvil in a closed position and a staple cartridge comprising a rigid support portion and a compressible tissue thickness compensator illustrating the staples in an unfired position and tissue captured between the anvil and the tissue thickness compensator;

[0256] FIG. 240 is a detail view of the anvil and staple cartridge of FIG. 239;

[0257] FIG. 241 is an elevational view of an anvil in a closed position and a staple cartridge comprising a rigid support portion and a compressible tissue thickness compensator illustrating the staples in an unfired position illustrating thicker tissue positioned between the anvil and the staple cartridge;

[0258] FIG. 242 is a detail view of the anvil and staple cartridge of FIG. 241;

[0259] FIG. 243 is an elevational view of the anvil and staple cartridge of FIG. 241 illustrating tissue having different thicknesses positioned between the anvil and the staple cartridge;

[0260] FIG. 244 is a detail view of the anvil and staple cartridge of FIG. 241 as illustrated in FIG. 243;

END6843WOPCT3

[0261] FIG. 245 is a diagram illustrating a tissue thickness compensator which is compensating for different tissue thickness captured within different staples;

[0262] FIG. 246 is a diagram illustrating a tissue thickness compensator applying a compressive pressure to one or more vessels that have been transected by a staple line;

[0263] FIG. 247 is a diagram illustrating a circumstance wherein one or more staples have been improperly formed;

[0264] FIG. 248 is a diagram illustrating a tissue thickness compensator which could compensate for improperly formed staples;

[0265] FIG. 249 is a diagram illustrating a tissue thickness compensator positioned in a region of tissue in which multiple staples lines have intersected;

[0266] FIG. 250 is a diagram illustrating tissue captured within a staple;

[0267] FIG. 251 is a diagram illustrating tissue and a tissue thickness compensator captured within a staple;

[0268] FIG. 252 is a diagram illustrating tissue captured within a staple;

[0269] FIG. 253 is a diagram illustrating thick tissue and a tissue thickness compensator captured within a staple;

[0270] FIG. 254 is a diagram illustrating thin tissue and a tissue thickness compensator captured within a staple;

[0271] FIG. 255 is a diagram illustrating tissue having an intermediate thickness and a tissue thickness compensator captured within a staple;

[0272] FIG. 256 is a diagram illustrating tissue having another intermediate thickness and a tissue thickness compensator captured within a staple;

[0273] FIG. 257 is a diagram illustrating thick tissue and a tissue thickness compensator captured within a staple;

[0274] FIG. 258 is a partial cross-sectional view of an end effector of a surgical stapling instrument illustrating a firing bar and staple-firing sled in a retracted, unfired position;

[0275] FIG. 259 is another partial cross-sectional view of the end effector of FIG. 258 illustrating the firing bar and the staple-firing sled in a partially advanced position;

[0276] FIG. 260 is a cross-sectional view of the end effector of FIG. 258 illustrating the firing bar in a fully advanced, or fired, position;

END6843WOPCT3

[0277] FIG. 261 is a cross-sectional view of the end effector of FIG. 258 illustrating the firing bar in a retracted position after being fired and the staple-firing sled left in its fully fired position;

[0278] FIG. 262 is a detail view of the firing bar in the retracted position of FIG. 261;

[0279] FIG. 263 is a partial cross-sectional view of an end effector of a surgical stapling instrument including a staple cartridge comprising a tissue thickness compensator and staples at least partially positioned therein;

[0280] FIG. 264 is another partial cross-sectional view of the end effector of FIG. 263 illustrating the staples at least partially moved and/or rotated relative to an anvil positioned opposite the staple cartridge;

[0281] FIG. 265 is a partial cross-sectional view of an end effector of a surgical stapling instrument in accordance with at least one embodiment;

[0282] FIG. 266 is a partial cross-sectional view of an end effector in accordance with at least one alternative embodiment;

[0283] FIG. 267 is a partial cross-sectional view of an end effector in accordance with another alternative embodiment;

[0284] FIG. 268 is a perspective view of an end effector of a surgical stapling instrument in accordance with at least one embodiment;

[0285] FIG. 269 is a partial cross-sectional view of the end effector of FIG. 268 illustrated in a flexed condition;

[0286] FIG. 270 is a partial cross-sectional view of the end effector of FIG. 269 in a released condition;

[0287] FIG. 271 is a perspective view of an end effector comprising a tissue thickness compensator sock;

[0288] FIG. 272 is a rear perspective of the tissue thickness compensator sock in FIG. 271;

[0289] FIG. 273 is a perspective view of an end effector comprising a plurality of rails extending from a support portion and a tissue thickness compensator having a longitudinal cavity defined therein;

[0290] FIG. 274 is a perspective view of the tissue thickness compensator of FIG. 273;

[0291] FIG. 275 is a perspective view of an end effector comprising a plurality of teeth extending from a support portion and a tissue thickness compensator engaged therewith;

END6843WOPCT3

- [0292] FIG. 276 is a perspective view of an anvil comprising a pocket array in accordance with at least one embodiment;
- [0293] FIG. 277 is a partial detail view of the anvil of FIG. 276;
- [0294] FIG. 278 is a partial longitudinal cross-sectional view of the anvil of FIG. 276;
- [0295] FIG. 279 is a transverse cross-sectional view of the anvil of FIG. 276;
- [0296] FIG. 280 is an elevational view of a fired staple comprising a substantially B-shaped configuration;
- [0297] FIG. 281 is an elevational view of a fired staple comprising one leg deformed inwardly and one leg deformed outwardly;
- [0298] FIG. 282 is an elevational view of a fired staple comprising both legs formed outwardly;
- [0299] FIG. 283 is a partial perspective view of a support portion of a staple cartridge comprising detachable and/or displaceable staple leg guides;
- [0300] FIG. 284 is a partial cross-sectional view of the staple cartridge of FIG. 283 illustrating staples being deployed from the staple cartridge;
- [0301] FIG. 285 is a detail view of the cross-sectional view of FIG. 284 after the staple cartridge has been fired;
- [0302] FIG. 286 is an exploded view of a staple cartridge including a tissue thickness compensator comprising voids defined therein;
- [0303] FIG. 287 is a diagram illustrating the tissue thickness compensator of FIG. 286 implanted against tissue;
- [0304] FIG. 288 is another diagram illustrating the tissue thickness compensator of FIG. 286 implanted against tissue;
- [0305] FIG. 289 is a cross-sectional perspective view of a staple cartridge comprising lateral retention members extending from a support portion thereof configured to hold a tissue thickness compensator in position;
- [0306] FIG. 290 is a cross-sectional view of the staple cartridge of FIG. 289 being utilized to staple tissue;
- [0307] FIG. 291 is another cross-sectional view of the staple cartridge of FIG. 289 illustrating the support portion being moved away from the implanted tissue thickness compensator;

END6843WOPCT3

[0308] FIG. 292 is a cross-sectional perspective view of a staple cartridge comprising lateral retention members configured to hold a tissue thickness compensator to a support portion;

[0309] FIG. 293 is a cross-sectional view of the staple cartridge of FIG. 292 being utilized to staple tissue;

[0310] FIG. 294 is another cross-sectional view of the staple cartridge of FIG. 292 illustrating the support portion being moved away from the implanted tissue thickness compensator;

[0311] FIG. 295 is a cross-sectional detail view of a retainer holding a tissue thickness compensator to a support portion of a staple cartridge in accordance with at least one embodiment;

[0312] FIG. 296 is partial cut-away view of a staple cartridge comprising staple drivers having different heights in accordance with at least one embodiment;

[0313] FIG. 296A is a diagram illustrating the staple drivers of FIG. 296 and staples having different unfired heights supported thereon;

[0314] FIG. 297 is a diagram illustrating a tissue thickness compensator comprising a varying thickness, staple drivers having different heights, and staples having different unfired heights;

[0315] FIG. 298 is a diagram illustrating the staples and the tissue thickness compensator of FIG. 297 implanted to tissue;

[0316] FIG. 299 is a partial cross-sectional view of a staple cartridge comprising a tissue thickness compensator comprising a varying thickness in accordance with at least one embodiment;

[0317] FIG. 300 is a cross-sectional view of an end effector of a surgical stapling instrument in an open configuration;

[0318] FIG. 301 is cross-sectional view of the end effector of FIG. 300 illustrated in a partially-fired configuration;

[0319] FIG. 302 is a cross-sectional view of the end effector of FIG. 300 illustrated in a re-opened configuration;

[0320] FIG. 303 is a cross-sectional view of an end effector of a surgical stapling instrument comprising staple drivers having different heights and a contoured deck surface in accordance with at least one embodiment;

END6843WOPCT3

[0321] FIG. 304 is a cross-sectional view of an end effector of a surgical stapling instrument comprising staple drivers having different heights and a stepped deck surface in accordance with at least one embodiment;

[0322] FIG. 305 is a perspective view of a staple cartridge being loaded into an effector of a surgical stapling instrument utilizing a staple cartridge applicator;

[0323] FIG. 306 is a bottom perspective view of the staple cartridge applicator of FIG. 305;

[0324] FIG. 307 is a side view of the staple cartridge applicator of FIG. 305 assembled to a staple cartridge;

[0325] FIG. 308 is a cross-sectional view of the assembly of FIG. 307;

[0326] FIG. 309 is a perspective view of a staple cartridge applicator assembly further including an upper tissue thickness compensator positioned on the top surface of the staple cartridge applicator in accordance with at least one embodiment;

[0327] FIG. 310 is an exploded view of the upper tissue thickness compensator and the staple cartridge applicator of FIG. 309;

[0328] FIG. 310A is an exploded view of a staple cartridge applicator assembly comprising a pull member configured to detach an upper tissue thickness compensator adhered to the staple cartridge applicator;

[0329] FIG. 311 is a partial exploded view of a staple cartridge applicator assembly in accordance with at least one alternative embodiment;

[0330] FIG. 312 is a perspective view of a staple cartridge applicator assembly comprising an upper tissue thickness compensator including a plurality of retention features extending therefrom and a staple cartridge comprising a lower tissue thickness compensator;

[0331] FIG. 313 is an elevational view of the staple cartridge applicator assembly of FIG. 312 positioned within a staple cartridge channel and an anvil being closed onto the staple cartridge applicator assembly;

[0332] FIG. 314 is an elevational view of the anvil of FIG. 313 in a re-opened position and the staple cartridge applicator of FIG. 312 being removed from the end effector;

[0333] FIG. 314A is a cross-sectional view of tissue positioned intermediate the upper tissue thickness compensator and the lower tissue thickness compensator of FIG. 312;

END6843WOPCT3

[0334] FIG. 314B is a cross-sectional view illustrating the upper tissue thickness compensator and the lower tissue thickness compensator stapled to the tissue and severed by a cutting member;

[0335] FIG. 315 is a diagram illustrating a tissue thickness compensator being inserted into an anvil in accordance with at least one embodiment;

[0336] FIG. 316 is a cross-sectional view of the tissue thickness compensator of FIG. 315;

[0337] FIG. 317 is an exploded view of a tissue thickness compensator and an anvil in accordance with at least one alternative embodiment;

[0338] FIG. 318 is a perspective view of staple cartridge applicator assembly comprising an upper tissue thickness compensator configured to be attached to an anvil in accordance with at least one embodiment;

[0339] FIG. 319 is an elevational view of the staple cartridge applicator assembly of FIG. 318 positioned within a staple cartridge channel and an anvil being moved toward the upper tissue thickness compensator;

[0340] FIG. 320 illustrates the staple cartridge applicator of FIG. 318 being removed from the end effector after the upper tissue thickness compensator has been engaged with the anvil;

[0341] FIG. 321 is a cross-sectional end view of the anvil being moved toward the upper tissue thickness compensator of FIG. 318;

[0342] FIG. 322 is a cross-sectional end view of the anvil engaged with the upper tissue thickness compensator;

[0343] FIG. 323 is a cross-sectional view of an end effector of a surgical stapling instrument comprising a staple cartridge including a segmentable tissue thickness compensator attached to a support portion of the staple cartridge by a plurality of fasteners;

[0344] FIG. 324 is a cross-sectional view of the end effector of FIG. 323 illustrating a firing member in a partially-fired position;

[0345] FIG. 325 is a cross-sectional view of the end effector of FIG. 323 illustrating the support portion being moved away from the partially-implanted tissue thickness compensator;

[0346] FIG. 326 is a partial perspective view of the support portion of FIG. 323;

[0347] FIG. 327 is a perspective view of a staple-deploying sled in accordance with at least one embodiment;

[0348] FIG. 328 is an elevational view of the sled of FIG. 327;

END6843WOPCT3

[0349] FIG. 329 is a perspective view of an end effector of a surgical stapling instrument comprising a staple cartridge including a tissue thickness compensator and a plurality of staple guides positioned on the tissue thickness compensator;

[0350] FIG. 330 is a partial cross-sectional view of the tissue thickness compensator and the staple guides of FIG. 329 in an unfired configuration;

[0351] FIG. 331 is a partial cross-sectional view of the tissue thickness compensator and the staple guides of FIG. 329 in a fired configuration;

[0352] FIG. 332 is a cross-sectional view of a staple cartridge comprising a tissue thickness compensator and a support portion in accordance with at least one embodiment;

[0353] FIG. 333 is a partial cross-sectional view of a tissue thickness compensator, a staple guide layer, and a staple in an unfired position;

[0354] FIG. 334 is a partial cross-sectional view of a tissue thickness compensator, a staple guide layer, and a staple in an unfired position in accordance with at least one alternative embodiment;

[0355] FIG. 335 is a partial cross-sectional view of a tissue thickness compensator, a staple guide layer, and a staple in an unfired position in accordance with at least one alternative embodiment;

[0356] FIG. 336 is a partial cross-sectional view of a tissue thickness compensator, a staple guide layer, and a staple in an unfired position in accordance with at least one alternative embodiment;

[0357] FIG. 337 is a partial cross-sectional view of a tissue thickness compensator, a staple guide layer, and a staple in an unfired position in accordance with at least one alternative embodiment;

[0358] FIG. 338 is a partial cross-sectional view of a tissue thickness compensator, a staple guide layer, and a staple in an unfired position in accordance with at least one alternative embodiment;

[0359] FIG. 339 is a partial cross-sectional view of a tissue thickness compensator, a staple guide layer, and a staple in an unfired position in accordance with at least one alternative embodiment;

[0360] FIG. 340 is a detail view of a region surrounding a tip of the staple of FIG. 339;

END6843WOPCT3

[0361] FIG. 341 is a partial cross-sectional view of a tissue thickness compensator, a staple guide layer, and a staple in an unfired position in accordance with at least one alternative embodiment;

[0362] FIG. 342 is a detail view of a region surrounding a tip of the staple of FIG. 341;

[0363] FIG. 343 is a partial cross-sectional view of a tissue thickness compensator, a staple guide layer, and a staple in an unfired position in accordance with at least one alternative embodiment;

[0364] FIG. 344 is a perspective view of a staple guide layer and a plurality of staples in an unfired position in accordance with at least one alternative embodiment;

[0365] FIG. 345 is an end view of a tissue thickness compensator configured to be used with a circular surgical stapler;

[0366] FIG. 346 is a perspective view of the tissue thickness compensator and the circular surgical stapler of FIG. 345;

[0367] FIG. 347 is an end view of a tissue thickness compensator configured to be used with a circular surgical stapler in accordance with at least one alternative embodiment;

[0368] FIG. 348 is a perspective view of the tissue thickness compensator and the circular surgical stapler of FIG. 347;

[0369] FIG. 349 is an end view of a tissue thickness compensator configured to be used with a circular surgical stapler;

[0370] FIG. 350 is an end view of the tissue thickness compensator of FIG. 349 in a partially expanded configuration;

[0371] FIG. 351 is an elevational view of a surgical stapling instrument comprising a staple cartridge in accordance with at least one embodiment;

[0372] FIG. 352 is an end view of the surgical stapling instrument of FIG. 351 positioned relative to tissue;

[0373] FIG. 353 is an end view of the surgical stapling instrument of FIG. 351 further comprising a tissue thickness compensator positioned between the staple cartridge and the tissue;

[0374] FIG. 354 is a partial perspective view of staples deployed into tissue from the surgical stapling instrument of FIG. 351 without a tissue thickness compensator;

[0375] FIG. 355 is a partial perspective view of staples deployed into tissue from the surgical stapling instrument of FIG. 351 with a tissue thickness compensator;

END6843WOPCT3

[0376] FIG. 356 is a partial cross-sectional view of the end effector of the surgical stapling instrument of FIG. 351 comprising an anvil plate in a first position;

[0377] FIG. 357 is a partial cross-sectional view of the end effector of the surgical stapling instrument of FIG. 351 illustrating the anvil plate of FIG. 356 in a second position;

[0378] FIG. 358 is a cross-sectional view of an end effector of a surgical stapling instrument comprising a staple cartridge including a gap setting element;

[0379] FIG. 359 is a perspective view illustrating a firing member cutting the gap setting element of FIG. 358 at the end of firing stroke of the firing member;

[0380] FIG. 360 is a cross-sectional view of an end effector of a surgical stapling instrument comprising a staple cartridge including a flexible nose;

[0381] FIG. 361 is a cross-sectional view of the end effector of FIG. 360 illustrating the nose in a flexed configuration;

[0382] FIG. 362 is a cross-sectional view of an end effector of a surgical stapling instrument comprising a staple cartridge including a slidable portion;

[0383] FIG. 363 is a cross-sectional view of the end effector of FIG. 362 illustrating the slidable portion slid distally;

[0384] FIG. 364 is a cross-sectional view of an end effector of a surgical stapling instrument comprising a support portion comprising an inclined deck surface and a tissue thickness compensator comprising a varying thickness;

[0385] FIG. 365 is a cross-sectional view of an end effector of a surgical stapling instrument comprising a support portion comprising an inclined deck surface and a tissue thickness compensator comprising a uniform thickness;

[0386] FIG. 366 is a perspective view of a staple cartridge comprising a tissue thickness compensator having a varying thickness;

[0387] FIG. 367 is an end view of the staple cartridge of FIG. 366;

[0388] FIG. 368 is a cross-sectional perspective view of a tissue thickness compensator comprising longitudinal layers;

[0389] FIG. 369 is a cross-sectional perspective view of a tissue thickness compensator comprising a plurality of layers in accordance with at least one alternative embodiment;

[0390] FIG. 370 is a perspective view of a disposable loading unit comprising retention members configured to releasably hold a tissue thickness compensator thereto;

END6843WOPCT3

[0391] FIG. 371 is a perspective view of a tissue thickness compensator including retention members configured to releasably hold the tissue thickness compensator to a disposable loading unit;

[0392] FIG. 372 is a perspective view of the tissue thickness compensator of FIG. 371 attached to a disposable loading unit;

[0393] FIG. 373 is an end view of the disposable loading unit of FIG. 372;

[0394] FIG. 374 is a perspective view of a tissue thickness compensator including retention members configured to releasably hold the tissue thickness compensator to a disposable loading unit;

[0395] FIG. 375 is a perspective view of the tissue thickness compensator of FIG. 374 attached to a disposable loading unit;

[0396] FIG. 376 is an end view of the disposable loading unit of FIG. 375;

[0397] FIG. 377 is a perspective view of a tissue thickness compensator including a retention member configured to releasably hold the tissue thickness compensator to a disposable loading unit;

[0398] FIG. 378 is a perspective view of the tissue thickness compensator of FIG. 377 attached to a disposable loading unit;

[0399] FIG. 379 is a perspective view of a tissue thickness compensator applicator positioned within an effector of a disposable loading unit;

[0400] FIG. 380 is a top perspective view of the tissue thickness compensator applicator of FIG. 379;

[0401] FIG. 381 is a bottom perspective view of the tissue thickness compensator applicator of FIG. 379;

[0402] FIG. 382 is a perspective view of a tissue thickness compensator applicator positioned within an effector of a disposable loading unit in accordance with at least one alternative embodiment;

[0403] FIG. 383 is a top perspective view of the tissue thickness compensator applicator of FIG. 382;

[0404] FIG. 384 is a bottom perspective view of the tissue thickness compensator applicator of FIG. 382;

END6843WOPCT3

[0405] FIG. 385 is an elevational view of a disposable loading unit including a pivotable jaw configured to support a staple cartridge;

[0406] FIG. 386 is a cross-sectional view of a staple cartridge comprising a tissue thickness compensator attached to a support portion of the staple cartridge in accordance with at least one embodiment;

[0407] FIG. 387 is a cross-sectional view of a staple cartridge comprising a tissue thickness compensator attached to a support portion of the staple cartridge in accordance with at least one embodiment;

[0408] FIG. 388 is a cross-sectional view of a staple cartridge comprising a tissue thickness compensator attached to a support portion of the staple cartridge in accordance with at least one embodiment;

[0409] FIG. 389 is a perspective view of the tissue thickness compensator of FIG. 387;

[0410] FIG. 390 is a cross-sectional perspective view of an embodiment of a cutting blade being advanced distally within an end effector of a surgical instrument to incise tissue;

[0411] FIG. 391 is a cross-sectional side view illustrating features on the cutting blade of FIG. 390 configured to direct a substance within a tissue thickness compensator toward the tissue;

[0412] FIG. 392 is a cross-sectional perspective view of an alternative embodiment of a cutting blade being advanced distally within an end effector of a surgical instrument to incise tissue;

[0413] FIG. 393 is a cross-sectional perspective view of another alternative embodiment of a cutting blade being advanced distally within an end effector of a surgical instrument to incise tissue;

[0414] FIG. 394 is a cross-sectional side view illustrating features on the cutting blade of FIG. 393 configured to mix a substance within a first tissue thickness compensator with a substance from a second tissue thickness compensator;

[0415] FIG. 395 is a front view illustrating features on the cutting blade of FIG. 393 configured to mix a substance within a first tissue thickness compensator with a substance from a second tissue thickness compensator;

[0416] FIG. 396 is a cross-sectional top view illustrating features on the cutting blade of FIG. 393 configured to mix a substance within a first tissue thickness compensator with a substance from a second tissue thickness compensator;

END6843WOPCT3

[0417] FIG. 397 is a cross-sectional perspective view of another alternative embodiment of a cutting blade being advanced distally within an end effector of a surgical instrument to incise tissue;

[0418] FIG. 398 is a cross-sectional side view illustrating features on the cutting blade of FIG. 397 configured to spread a substance contained within a tissue thickness compensator; and

[0419] FIG. 399 is a cross-sectional side view of the cutting blade of FIG. 397 spreading the substance.

[0420] FIG. 400 is partial cut-away perspective view of a tissue thickness compensator in accordance with at least one embodiment;

[0421] FIG. 401 illustrates a medicament being loaded into a tissue thickness compensator;

[0422] FIG. 402 is a cross-sectional end view of a tube positioned within the tissue thickness compensator of FIG. 400 comprising a medicament contained therein;

[0423] FIG. 403 illustrates the tissue thickness compensator of FIG. 400 being positioned and compressed against a patient's tissue;

[0424] FIG. 404 is a cross-sectional end view of an end effector of a surgical stapling instrument illustrating staples being fired through the tissue thickness compensator of FIG. 400;

[0425] FIG. 405 is a graph depicting the dissolution of a capsule contained within a tissue thickness compensator, wherein the capsule comprises a plurality of medicament layers;

[0426] FIG. 406 illustrates a first, or outer, layer of the capsule of FIG. 405 being dissolved;

[0427] FIG. 407 illustrates a second layer of the capsule of FIG. 405 being dissolved;

[0428] FIG. 408 illustrates a third layer of the capsule of FIG. 405 being dissolved;

[0429] FIG. 409 illustrates a fourth, or inner, layer of the capsule of FIG. 405 being dissolved;

[0430] FIG. 410 is a partial cut-away view of a staple cartridge in accordance with at least one embodiment comprising a tissue thickness compensator including a plurality of vertical capsules;

[0431] FIG. 411 is a perspective view of a vertical capsule of FIG. 410;

[0432] FIG. 412 is a partial cut-away view of the staple cartridge of FIG. 410 illustrating staples contained therein in an unfired position;

[0433] FIG. 413 is a cross-sectional side view of the staple cartridge of FIG. 410 illustrating the staples of FIG. 412 being moved from an unfired position to a fired position;

[0434] FIG. 414 is a partial cut-away view of a tissue thickness compensator comprising vertical capsules positioned therein in accordance with at least one embodiment;

END6843WOPCT3

[0435] FIG. 415 is a partial cut-away view of a tissue thickness compensator comprising a plurality of capsules having openings defined therein;

[0436] FIG. 416 is a cross-sectional end view of an end effector of a surgical stapling instrument comprising a plurality of staples in an unfired position and a plurality of piercing members configured to rupture capsules or tubes contained within a tissue thickness compensator in accordance with at least one embodiment;

[0437] FIG. 417 is an elevational view of a staple of FIG. 416 in an unfired configuration;

[0438] FIG. 418 is an elevational view of the staple of FIG. 417 in a fired configuration;

[0439] FIG. 419 is an elevational view of a piercing member of FIG. 416;

[0440] FIG. 420 is a cross-sectional end view of the end effector of FIG. 416 illustrating the staples and the piercing members in a fired position;

[0441] FIG. 421 is a cross-sectional side view of the end effector of FIG. 416 illustrating the staples and the piercing members being moved from an unfired position to a fired position;

[0442] FIG. 422 is a top cut-away view of a staple cartridge in accordance with at least one embodiment including a tissue thickness compensator comprising a plurality of capsules positioned therein;

[0443] FIG. 423 is a detail view of the staple cartridge of FIG. 422;

[0444] FIG. 424 is a cross-sectional end view of the staple cartridge of FIG. 422 positioned within an end effector illustrating staples contained within the staple cartridge in a fired position;

[0445] FIG. 425 is a cross-sectional end view of the staple cartridge of FIG. 422 in the end effector of FIG. 424 illustrating a cutting member being advanced through the capsules in the tissue thickness compensator;

[0446] FIG. 426 is a perspective view of a tissue thickness compensator comprising a longitudinal member in accordance with at least one embodiment;

[0447] FIG. 427 is a cross-sectional view of a mold configured to produce the tissue thickness compensator of FIG. 426;

[0448] FIG. 428 is a cross-sectional end view of the mold of FIG. 427 illustrating the longitudinal member of FIG. 426 positioned therein;

[0449] FIG. 429 is a cross-sectional end view of the mold of FIG. 427 illustrating tissue thickness compensator material being poured into the mold of FIG. 427;

END6843WOPCT3

- [0450] FIG. 430 is a cut-away perspective view of a tissue thickness compensator in accordance with at least one embodiment;
- [0451] FIG. 431 is a perspective view of a support member configured to be embedded in a tissue thickness compensator in accordance with at least one embodiment;
- [0452] FIG. 432 is a cut-away perspective view of a tissue thickness compensator in accordance with at least one embodiment;
- [0453] FIG. 433 is a cross-sectional end view illustrating a mold for manufacturing the tissue thickness compensator of FIG. 432;
- [0454] FIG. 434 is a cross-sectional view of the tissue thickness compensator of FIG. 432;
- [0455] FIG. 435 is a cross-sectional side view of the mold of FIG. 433;
- [0456] FIG. 436 is a cross-sectional end view of a tissue thickness compensator in accordance with at least one embodiment;
- [0457] FIG. 437 is a cross-sectional end view of another tissue thickness compensator in accordance with at least one embodiment;
- [0458] FIG. 438 is a detail view of a scaffold material for a tissue thickness compensator in accordance with at least one embodiment;
- [0459] FIG. 439 is a detail view of a tissue thickness compensator in an unexpanded state in accordance with at least one embodiment;
- [0460] FIG. 440 is a detail view of the tissue thickness compensator of FIG. 439 in an expanded state;
- [0461] FIG. 441 is a cut-away perspective view of a tissue thickness compensator in accordance with at least one embodiment;
- [0462] FIG. 442 is a partial cut-away perspective view of a tissue thickness compensator being manufactured in a mold in accordance with at least one embodiment;
- [0463] FIG. 443 is a cross-sectional perspective view of a tissue thickness compensator in accordance with at least one alternative embodiment;
- [0464] FIG. 444 is a cross-sectional end view of a tissue thickness compensator in accordance with at least one alternative embodiment;
- [0465] FIG. 445 is a partial perspective view of a tissue thickness compensator in accordance with at least one alternative embodiment;

END6843WOPCT3

- [0466] FIG. 446 is an elevational view of an end effector of a surgical stapling instrument comprising a tissue thickness compensator in accordance with at least one embodiment;
- [0467] FIG. 447 is an exploded view of the tissue thickness compensator of FIG. 446 wherein the tissue thickness compensator comprises a plurality of layers;
- [0468] FIG. 448 is a cross-sectional view of a layer of a tissue thickness compensator;
- [0469] FIG. 449 is a cross-sectional view of another layer of a tissue thickness compensator;
- [0470] FIG. 450 is a partial cross-sectional elevational view of the tissue thickness compensator of FIG. 446 positioned between an anvil and a staple cartridge of the surgical stapling instrument;
- [0471] FIG. 451 is another partial cross-sectional elevational view of the tissue thickness compensator of FIG. 446 captured within a staple ejected from the staple cartridge and deformed by the anvil of the surgical stapling instrument;
- [0472] FIG. 452 is another partial cross-sectional elevational view of the tissue thickness compensator of FIG. 446 attached to tissue by the staple of FIG. 451;
- [0473] FIG. 453 is a perspective view of a layer of a tissue thickness compensator in accordance with at least one alternative embodiment;
- [0474] FIG. 454 is a perspective view of an end effector of a surgical stapling instrument comprising a tissue thickness compensator including the layer of FIG. 453;
- [0475] FIG. 455 is a partial perspective view of a tissue thickness compensator in accordance with at least one alternative embodiment;
- [0476] FIG. 456 is a perspective view of an end effector of a surgical stapling instrument comprising the tissue thickness compensator of FIG. 455;
- [0477] FIG. 457 is a perspective view of a plurality of coated fibers;
- [0478] FIG. 458 is a perspective view illustrating an extrusion process for producing a coated fiber and/or a coated strand which can be dissected into coated fibers;
- [0479] FIG. 459 is a cross-sectional perspective view of a coated fiber;
- [0480] FIG. 460 is a perspective view illustrating a coating process utilizing a carrier fluid configured deposit a material on and/or within a fiber;
- [0481] FIG. 461 is a perspective view of a staple cartridge including a tissue thickness compensator comprising the fibers of FIG. 457;

END6843WOPCT3

[0482] FIG. 462 is a partial cut-away perspective view of a tissue thickness compensator in accordance with at least one embodiment;

[0483] FIG. 463 is a cross-sectional view of a medicament encased by a hydrophilic material in accordance with at least one embodiment;

[0484] FIG. 464 is a perspective view of the tissue thickness compensator of FIG. 462 positioned within an end effector of a surgical instrument;

[0485] FIG. 465 is a partial cut-away perspective view of the medicament of FIG. 463 being exposed to a liquid such that the medicament can weep out of the tissue thickness compensator of FIG. 462;

[0486] FIG. 466 is a partial perspective view of a tissue thickness compensator in accordance with at least one embodiment;

[0487] FIG. 467 is a partial perspective view of the tissue thickness compensator of FIG. 466 after it has been exposed to a liquid;

[0488] FIG. 468 is a perspective view of an end effector including the tissue thickness compensator of FIG. 466 attached to an anvil;

[0489] FIG. 469 is a partial cut-away perspective view of a tissue thickness compensator comprising the medicament of FIG. 463 and the fibers of FIG. 457;

[0490] FIG. 470 is a partial perspective view of a staple cartridge comprising a tissue thickness compensator including a plurality of capsules;

[0491] FIG. 471 is a side view of the staple cartridge of FIG. 470;

[0492] FIG. 472 illustrates the capsules of FIG. 470 being placed in a mold;

[0493] FIG. 473 illustrates the capsules of FIG. 470 settling to the bottom of the mold of FIG. 472;

[0494] FIG. 474 illustrates a compensator body material being poured over the capsules of FIG. 470;

[0495] FIG. 475 illustrates an embodiment in which the capsules of FIG. 470 are denser than the compensator body material and remain on the bottom of the mold of FIG. 472;

[0496] FIG. 476 illustrates an embodiment in which the capsules of FIG. 470 are less dense than the compensator body material and can float to the top of the mold of FIG. 472;

[0497] FIG. 477 illustrates an alternative embodiment of a mold including a plurality of recesses or dimples configured to receive the capsules of FIG. 470;

END6843WOPCT3

[0498] FIG. 478 is a cross-sectional end view of an end effector of a surgical stapling instrument comprising a tissue thickness compensator positioned over a staple cartridge in accordance with at least one embodiment;

[0499] FIG. 479 is a cross-sectional end view of the end effector of FIG. 478 illustrating staples fired from the staple cartridge and extending through the tissue thickness compensator of FIG. 478;

[0500] FIG. 480 illustrates a mold and a plurality of medicament capsules positioned within the mold;

[0501] FIG. 481 is a cross-sectional end view of the mold illustrating a compensator body material being poured into the mold to form a tissue thickness compensator;

[0502] FIG. 482 is a perspective view of the tissue thickness compensator of FIG. 481 attached to an anvil of a surgical stapling instrument;

[0503] FIG. 483 is a cross-sectional view of a mold configured to form the tissue thickness compensator of FIG. 486 illustrating a first layer being poured into the mold;

FIG. 484 is a cross-sectional view of the mold of FIG. 483 illustrating a capsule positioned on the first layer;

[0504] FIG. 485 is a cross-sectional view of the mold of FIG. 483 illustrating a second layer being poured onto the capsule;

[0505] FIG. 486 is a perspective view of a tissue thickness compensator in accordance with at least one embodiment;

[0506] FIG. 487 is a perspective view of the tissue thickness compensator of FIG. 486 positioned within an end effector of a surgical stapling instrument;

[0507] FIG. 488 is a perspective view of a compensator body of the tissue thickness compensator of FIG. 491;

[0508] FIG. 489 is a perspective view of a longitudinal aperture defined in the compensator body of FIG. 488;

[0509] ¶FIG. 490 is a diagram illustrating a capsule being positioned within the longitudinal aperture of FIG. 489;

[0510] FIG. 491 is a perspective view of an end effector of a surgical stapling instrument including a tissue thickness compensator in accordance with at least one embodiment;

END6843WOPCT3

- [0511] FIG. 492 is a perspective view of a compensator body of the tissue thickness compensator of FIG. 495;
- [0512] FIG. 493 is a perspective view of a plurality of transverse apertures defined in the compensator body of FIG. 492;
- [0513] FIG. 494 is a diagram illustrating capsules being positioned within the transverse apertures of FIG. 493;
- [0514] FIG. 495 is a perspective view of an end effector of a surgical stapling instrument including a tissue thickness compensator in accordance with at least one embodiment;
- [0515] FIG. 496 is a perspective view of a vertical mold configured to manufacture a tissue thickness compensator;
- [0516] FIG. 497 is a perspective view of a capsule being positioned within the mold of FIG. 496;
- [0517] FIG. 498 is a perspective view of the capsule of FIG. 497 positioned within the mold of FIG. 496;
- [0518] FIG. 499 is a perspective view of a cover placed against the mold of FIG. 496 and a compensator body material being positioned within the mold;
- [0519] FIG. 500 is a perspective view of the mold of FIG. 496 illustrated with the cover of FIG. 499 removed;
- [0520] FIG. 501 illustrates a staple cartridge comprising a tissue thickness compensator and a tissue thickness compensator mat in accordance with at least one embodiment;
- [0521] FIG. 502 is a partial bottom perspective view of the tissue thickness compensator mat of FIG. 501;
- [0522] FIG. 503 is a partial top perspective view of the tissue thickness compensator mat of FIG. 501;
- [0523] FIG. 504 is a partial cross-sectional view of the staple cartridge of FIG. 501 being fired by a firing member, wherein the staple cartridge is illustrated without the tissue thickness compensator positioned thereon;
- [0524] FIG. 505 is a top view of the tissue thickness compensator mat of FIG. 501 being incised by a cutting member engaged with the firing member of FIG. 504, wherein the staple cartridge is illustrated without the tissue thickness compensator positioned thereon;

END6843WOPCT3

- [0525] FIG. 506 is a top view of the tissue thickness compensator mat of FIG. 501 being incised by a cutting member engaged with the firing member of FIG. 504, wherein the staple cartridge is illustrated with the tissue thickness compensator positioned thereon;
- [0526] FIG. 507 is a plan view of a circular staple cartridge in accordance with at least one alternative embodiment comprising a circular tissue thickness compensator mat;
- [0527] FIG. 508 illustrates a mold comprising a plurality of cavities configured to form tissue thickness compensators on a plurality of staple cartridge bodies simultaneously;
- [0528] FIG. 509 illustrates staple cartridge bodies positioned within the cavities of FIG. 508 and one or more sheets being placed over the cartridge bodies;
- [0529] FIG. 510 illustrates the sheets of FIG. 509 secured in place within the mold of FIG. 508;
- [0530] FIG. 511 illustrates an elongate tube member wound around a plurality of post supports within the mold of FIG. 508;
- [0531] FIG. 512 illustrates the sheets of FIG. 509 secured in place over the staple cartridge bodies of FIG. 508;
- [0532] FIG. 513 illustrates the tube members of FIG. 511 in position over the sheets of FIG. 509;
- [0533] FIG. 514 illustrates a compensator body material being poured into the mold of FIG. 508;
- [0534] FIG. 515 illustrates a cutting die positioned over the mold of FIG. 508;
- [0535] FIG. 516 illustrates the cutting die moved downwardly to cut the compensator body material of FIG. 514 and the sheets of FIG. 509;
- [0536] FIG. 517 illustrates the cutting die moved upwardly away from the mold of FIG. 508;
- [0537] FIG. 518 is a cross-sectional end view of a tissue thickness compensator that is produced by the manufacturing process outlined in FIGS. 508-517 in accordance with at least one embodiment;
- [0538] FIG. 519 is a top view of a staple cartridge comprising a tissue thickness compensator in accordance with at least one embodiment;
- [0539] FIG. 520 is a perspective view of the staple cartridge of FIG. 519;
- [0540] FIG. 521 is an illustration depicting the manufacture of the tissue thickness compensator of the staple cartridge of FIG. 519;

END6843WOPCT3

[0541] FIG. 522 is an illustration of rollers flattening a tube of material to form a tissue thickness compensator in accordance with at least one embodiment;

[0542] FIG. 523 is an illustration of rollers forming a tissue thickness compensator in accordance with at least one alternative embodiment;

[0543] FIG. 524 is a partial perspective view of a staple cartridge including tissue thickness compensators produced by the process illustrated in FIG. 523;

[0544] FIG. 525 is cross-sectional elevational view of staples being deployed from the staple cartridge of FIG. 524; and

[0545] FIG. 526 is a cross-sectional end view of staples being deployed from the staple cartridge of FIG. 524.

[0546] Corresponding reference characters indicate corresponding parts throughout the several views. The exemplifications set out herein illustrate certain embodiments of the invention, in one form, and such exemplifications are not to be construed as limiting the scope of the invention in any manner.

DETAILED DESCRIPTION

[0547] The Applicant of the present application also owns the U.S. Patent Applications identified below which are each herein incorporated by reference in their respective entirety:

U.S. Patent Application Serial No. 12/894,311, entitled SURGICAL INSTRUMENTS WITH RECONFIGURABLE SHAFT SEGMENTS (Attorney Docket No. END6734USNP/100058);

U.S. Patent Application Serial No. 12/894,340, entitled SURGICAL STAPLE CARTRIDGES SUPPORTING NON-LINEARLY ARRANGED STAPLES AND SURGICAL STAPLING INSTRUMENTS WITH COMMON STAPLE-FORMING POCKETS (Attorney Docket No. END6735USNP/100059);

U.S. Patent Application Serial No. 12/894,327, entitled JAW CLOSURE ARRANGEMENTS FOR SURGICAL INSTRUMENTS (Attorney Docket No. END6736USNP/100060);

END6843WOPCT3

U.S. Patent Application Serial No. 12/894,351, entitled SURGICAL CUTTING AND FASTENING INSTRUMENTS WITH SEPARATE AND DISTINCT FASTENER DEPLOYMENT AND TISSUE CUTTING SYSTEMS (Attorney Docket No. END6839USNP/100524);

U.S. Patent Application Serial No. 12/894,338, entitled IMPLANTABLE FASTENER CARTRIDGE HAVING A NON-UNIFORM ARRANGEMENT (Attorney Docket No. END6840USNP/100525);

U.S. Patent Application Serial No. 12/894,369, entitled IMPLANTABLE FASTENER CARTRIDGE COMPRISING A SUPPORT RETAINER (Attorney Docket No. END6841USNP/100526);

U.S. Patent Application Serial No. 12/894,312, entitled IMPLANTABLE FASTENER CARTRIDGE COMPRISING MULTIPLE LAYERS (Attorney Docket No. END6842USNP/100527);

U.S. Patent Application Serial No. 12/894,377, entitled SELECTIVELY ORIENTABLE IMPLANTABLE FASTENER CARTRIDGE (Attorney Docket No. END6843USNP/100528);

U.S. Patent Application Serial No. 12/894,339, entitled SURGICAL STAPLING INSTRUMENT WITH COMPACT ARTICULATION CONTROL ARRANGEMENT (Attorney Docket No. END6847USNP/100532);

U.S. Patent Application Serial No. 12/894,360, entitled SURGICAL STAPLING INSTRUMENT WITH A VARIABLE STAPLE FORMING SYSTEM (Attorney Docket No. END6848USNP/100533);

U.S. Patent Application Serial No. 12/894,322, entitled SURGICAL STAPLING INSTRUMENT WITH INTERCHANGEABLE STAPLE CARTRIDGE ARRANGEMENTS (Attorney Docket No. END6849USNP/100534);

U.S. Patent Application Serial No. 12/894,350, entitled SURGICAL STAPLE CARTRIDGES WITH DETACHABLE SUPPORT STRUCTURES AND SURGICAL STAPLING INSTRUMENTS WITH SYSTEMS FOR PREVENTING ACTUATION MOTIONS WHEN A CARTRIDGE IS NOT PRESENT (Attorney Docket No. END6855USNP/100540);

END6843WOPCT3

U.S. Patent Application Serial No. 12/894,383, entitled IMPLANTABLE FASTENER CARTRIDGE COMPRISING BIOABSORBABLE LAYERS (Attorney Docket No. END6856USNP/100541);

U.S. Patent Application Serial No. 12/894,389, entitled COMPRESSIBLE FASTENER CARTRIDGE (Attorney Docket No. END6857USNP/100542);

U.S. Patent Application Serial No. 12/894,345, entitled FASTENERS SUPPORTED BY A FASTENER CARTRIDGE SUPPORT (Attorney Docket No. END6858USNP/100543);

U.S. Patent Application Serial No. 12/894,306, entitled COLLAPSIBLE FASTENER CARTRIDGE (Attorney Docket No. END6859USNP/100544);

U.S. Patent Application Serial No. 12/894,318, entitled FASTENER SYSTEM COMPRISING A PLURALITY OF CONNECTED RETENTION MATRIX ELEMENTS (Attorney Docket No. END6860USNP/100546);

U.S. Patent Application Serial No. 12/894,330, entitled FASTENER SYSTEM COMPRISING A RETENTION MATRIX AND AN ALIGNMENT MATRIX (Attorney Docket No. END6861USNP/100547);

U.S. Patent Application Serial No. 12/894,361, entitled FASTENER SYSTEM COMPRISING A RETENTION MATRIX (Attorney Docket No. END6862USNP/100548);

U.S. Patent Application Serial No. 12/894,367, entitled FASTENING INSTRUMENT FOR DEPLOYING A FASTENER SYSTEM COMPRISING A RETENTION MATRIX (Attorney Docket No. END6863USNP/100549);

U.S. Patent Application Serial No. 12/894,388, entitled FASTENER SYSTEM COMPRISING A RETENTION MATRIX AND A COVER (Attorney Docket No. END6864USNP/100550);

U.S. Patent Application Serial No. 12/894,376, entitled FASTENER SYSTEM COMPRISING A PLURALITY OF FASTENER CARTRIDGES (Attorney Docket No. END6865USNP/100551);

U.S. Patent Application Serial No. 13/097,865, entitled SURGICAL STAPLER ANVIL COMPRISING A PLURALITY OF FORMING POCKETS (Attorney Docket No. END6735USCIP1/100059CIP1);

END6843WOPCT3

U.S. Patent Application Serial No. 13/097,936, entitled TISSUE THICKNESS COMPENSATOR FOR A SURGICAL STAPLER (Attorney Docket No. END6736USCIP1/100060CIP1);

U.S. Patent Application Serial No. 13/097,954, entitled STAPLE CARTRIDGE COMPRISING A VARIABLE THICKNESS COMPRESSIBLE PORTION (Attorney Docket No. END6840USCIP1/100525CIP1);

U.S. Patent Application Serial No. 13/097,856, entitled STAPLE CARTRIDGE COMPRISING STAPLES POSITIONED WITHIN A COMPRESSIBLE PORTION THEREOF (Attorney Docket No. END6841USCIP1/100526CIP1);

U.S. Patent Application Serial No. 13/097,928, entitled TISSUE THICKNESS COMPENSATOR COMPRISING DETACHABLE PORTIONS (Attorney Docket No. END6842USCIP1/100527CIP1);

U.S. Patent Application Serial No. 13/097,891, entitled TISSUE THICKNESS COMPENSATOR FOR A SURGICAL STAPLER COMPRISING AN ADJUSTABLE ANVIL (Attorney Docket No. END6843USCIP1/100528CIP1);

U.S. Patent Application Serial No. 13/097,948, entitled STAPLE CARTRIDGE COMPRISING AN ADJUSTABLE DISTAL PORTION (Attorney Docket No. END6847USCIP1/100532CIP1);

U.S. Patent Application Serial No. 13/097,907, entitled COMPRESSIBLE STAPLE CARTRIDGE ASSEMBLY (Attorney Docket No. END6848USCIP1/100533CIP1);

U.S. Patent Application Serial No. 13/097,861, entitled TISSUE THICKNESS COMPENSATOR COMPRISING PORTIONS HAVING DIFFERENT PROPERTIES (Attorney Docket No. END6849USCIP1/100534CIP1);

U.S. Patent Application Serial No. 13/097,869, entitled STAPLE CARTRIDGE LOADING ASSEMBLY (Attorney Docket No. END6855USCIP1/100540CIP1);

U.S. Patent Application Serial No. 13/097,917, entitled COMPRESSIBLE STAPLE CARTRIDGE COMPRISING ALIGNMENT MEMBERS (Attorney Docket No. END6856USCIP1/100541CIP1);

U.S. Patent Application Serial No. 13/097,873, entitled STAPLE CARTRIDGE COMPRISING A RELEASABLE PORTION (Attorney Docket No. END6857USCIP1/100542CIP1);

END6843WOPCT3

U.S. Patent Application Serial No. 13/097,938, entitled STAPLE CARTRIDGE COMPRISING COMPRESSIBLE DISTORTION RESISTANT COMPONENTS (Attorney Docket No. END6858USCIP1/100543CIP1);

U.S. Patent Application Serial No. 13/097,924, entitled STAPLE CARTRIDGE COMPRISING A TISSUE THICKNESS COMPENSATOR (Attorney Docket No. END6859USCIP1/100544CIP1);

U.S. Patent Application Serial No. 13/242,029, entitled SURGICAL STAPLER WITH FLOATING ANVIL (Attorney Docket No. END6841USCIP2/100526CIP2);

U.S. Patent Application Serial No. 13/242,066, entitled CURVED END EFFECTOR FOR A STAPLING INSTRUMENT (Attorney Docket No. END6841USCIP3/100526CIP3);

U.S. Patent Application Serial No. 13/242,086, entitled STAPLE CARTRIDGE INCLUDING COLLAPSIBLE DECK (Attorney Docket No. END7020USNP/110374);

U.S. Patent Application Serial No. 13/241,912, entitled STAPLE CARTRIDGE INCLUDING COLLAPSIBLE DECK ARRANGEMENT (Attorney Docket No. END7019USNP/110375);

U.S. Patent Application Serial No. 13/241,922, entitled SURGICAL STAPLER WITH STATIONARY STAPLE DRIVERS (Attorney Docket No. END7013USNP/110377);

U.S. Patent Application Serial No. 13/241,637, entitled SURGICAL INSTRUMENT WITH TRIGGER ASSEMBLY FOR GENERATING MULTIPLE ACTUATION MOTIONS (Attorney Docket No. END6888USNP3/110378); and

U.S. Patent Application Serial No. 13/241,629, entitled SURGICAL INSTRUMENT WITH SELECTIVELY ARTICULATABLE END EFFECTOR (Attorney Docket No. END6888USNP2/110379).

[0548] The Applicant of the present application also owns the U.S. Patent Applications identified below which were filed on even date herewith and which are each herein incorporated by reference in their respective entirety:

U.S. Application Serial No. _____, entitled TISSUE THICKNESS COMPENSATOR COMPRISING A PLURALITY OF CAPSULES, (Attorney Docket No. END6864USCIP1/100550CIP1);

END6843WOPCT3

U.S. Application Serial No. _____, entitled TISSUE THICKNESS COMPENSATOR COMPRISING A PLURALITY OF LAYERS, (Attorney Docket No. END6864USCIP2/100550CIP2);

U.S. Application Serial No. _____, entitled EXPANDABLE TISSUE THICKNESS COMPENSATOR, (Attorney Docket No. END6843USCIP2/100528CIP2).

U.S. Application Serial No. _____, entitled RETAINER ASSEMBLY INCLUDING A TISSUE THICKNESS COMPENSATOR, (Attorney Docket No. END6843USCIP4/100528CIP4);

U.S. Application Serial No. _____, entitled TISSUE THICKNESS COMPENSATOR COMPRISING AT LEAST ONE MEDICAMENT, (Attorney Docket No. END6843USCIP5/100528CIP5);

U.S. Application Serial No. _____, entitled TISSUE THICKNESS COMPENSATOR COMPRISING CONTROLLED RELEASE AND EXPANSION, (Attorney Docket No. END6843USCIP6/100528CIP6);

U.S. Application Serial No. _____, entitled TISSUE THICKNESS COMPENSATOR COMPRISING FIBERS TO PRODUCE A RESILIENT LOAD, (Attorney Docket No. END6843USCIP7/100528CIP7);

U.S. Application Serial No. _____, entitled TISSUE THICKNESS COMPENSATOR COMPRISING STRUCTURE TO PRODUCE A RESILIENT LOAD, (Attorney Docket No. END6843USCIP8/100528CIP8);

U.S. Application Serial No. _____, entitled TISSUE THICKNESS COMPENSATOR COMPRISING RESILIENT MEMBERS, (Attorney Docket No. END6843USCIP9/100528CIP9);

U.S. Application Serial No. _____, entitled METHODS FOR FORMING TISSUE THICKNESS COMPENSATOR ARRANGEMENTS FOR SURGICAL STAPLERS, (Attorney Docket No. END6843USCIP10/100528CP10);

U.S. Application Serial No. _____, entitled TISSUE THICKNESS COMPENSATORS, (Attorney Docket No. END6843USCIP11/100528CP11);

U.S. Application Serial No. _____, entitled LAYERED TISSUE THICKNESS COMPENSATOR, (Attorney Docket No. END6843USCIP12/100528CP12);

END6843WOPCT3

U.S. Application Serial No. _____, entitled TISSUE THICKNESS COMPENSATORS FOR CIRCULAR SURGICAL STAPLERS, (Attorney Docket No. END6843USCIP13/100528CP13);

U.S. Application Serial No. _____, entitled TISSUE THICKNESS COMPENSATOR COMPRISING CAPSULES DEFINING A LOW PRESSURE ENVIRONMENT, (Attorney Docket No. END7100USNP/110601);

U.S. Application Serial No. _____, entitled TISSUE THICKNESS COMPENSATOR COMPRISED OF A PLURALITY OF MATERIALS, (Attorney Docket No. END7101USNP/110602);

U.S. Application Serial No. _____, entitled MOVABLE MEMBER FOR USE WITH A TISSUE THICKNESS COMPENSATOR, (Attorney Docket No. END7107USNP/110603);

U.S. Application Serial No. _____, entitled TISSUE THICKNESS COMPENSATOR COMPRISING A PLURALITY OF MEDICAMENTS, (Attorney Docket No. END7102USNP/110604);

U.S. Application Serial No. _____, entitled TISSUE THICKNESS COMPENSATOR AND METHOD FOR MAKING THE SAME, (Attorney Docket No. END7103USNP/110605);

U.S. Application Serial No. _____, entitled TISSUE THICKNESS COMPENSATOR COMPRISING CHANNELS, (Attorney Docket No. END7104USNP/110606);

U.S. Application Serial No. _____, entitled TISSUE THICKNESS COMPENSATOR COMPRISING TISSUE INGROWTH FEATURES, (Attorney Docket No. END7105USNP/110607); and

U.S. Application Serial No. _____, entitled DEVICES AND METHODS FOR ATTACHING TISSUE THICKNESS COMPENSATING MATERIALS TO SURGICAL STAPLING INSTRUMENTS, (Attorney Docket No. END7106USNP/110608).

[0549] Certain exemplary embodiments will now be described to provide an overall understanding of the principles of the structure, function, manufacture, and use of the devices and methods disclosed herein. One or more examples of these embodiments are illustrated in the accompanying drawings. Those of ordinary skill in the art will understand that the devices and

END6843WOPCT3

methods specifically described herein and illustrated in the accompanying drawings are non-limiting exemplary embodiments. The features illustrated or described in connection with one exemplary embodiment may be combined with the features of other embodiments. Such modifications and variations are included within the scope of the present invention.

[0550] Any of the methods disclosed or claimed herein for manufacturing, forming or otherwise producing an article or product, may be employed to manufacture, form or otherwise produce all or part of the article or product in question, and where such a method is employed to manufacture, form or otherwise produce part of the article or product in question, the remainder of the article or product may be produced in any way, including by employing any of the other methods disclosed and claimed herein for manufacturing, forming or otherwise producing the article or product, and the various parts so produced may be combined in any manner. Similarly, any article or product disclosed or claimed herein may exist alone, or in combination with, or as an integral part of any other article or product so disclosed with which it is compatible. Thus, the particular features, structures, or characteristics illustrated or described in connection with one article, product or method may be combined, in whole or in part, with the features structures, or characteristics of one or more other compatible articles, products or methods without limitation. Such modifications and variations are included within the scope of the present invention.

[0551] Where it is disclosed herein, either with reference to a particular figure or otherwise, that a certain embodiment of the invention or a certain article, product or method may comprise certain structures, characteristics or features, it will be understood by the reader that this signifies that those structures, characteristics or features may be embodied in the article, product or method in question in any compatible combination. In particular, such a disclosure of a number of optional structures, characteristics or features shall be understood also to disclose all of those structures, characteristics or features in combination, except in the case of structures, characteristics or features that are disclosed as alternatives to one another. Where such structures, characteristics or features are disclosed as alternatives to one another, this shall be understood to disclose those alternatives as being substitutions for each other.

[0552] The terms “proximal” and “distal” are used herein with reference to a clinician manipulating the handle portion of the surgical instrument. The term “proximal” referring to the portion closest to the clinician and the term “distal” referring to the portion located away from the clinician. It will be further appreciated that, for convenience and clarity, spatial terms such as

END6843WOPCT3

“vertical”, “horizontal”, “up”, and “down” may be used herein with respect to the drawings. However, surgical instruments are used in many orientations and positions, and these terms are not intended to be limiting and/or absolute.

[0553] Various exemplary devices and methods are provided for performing laparoscopic and minimally invasive surgical procedures. However, the reader will readily appreciate that the various methods and devices disclosed herein can be used in numerous surgical procedures and applications, including in connection with open surgical procedures. As the present Detailed Description proceeds, the reader will further appreciate that the various instruments disclosed herein can be inserted into a body in any way, such as through a natural orifice, through an incision or puncture hole formed in tissue, etc. The working portions or end effector portions of the instruments can be inserted directly into a patient’s body or can be inserted through an access device that has a working channel through which the end effector and elongated shaft of a surgical instrument can be advanced.

[0554] Turning to the Drawings wherein like numerals denote like components throughout the several views, FIG. 1 depicts a surgical instrument 10 that is capable of practicing several unique benefits. The surgical stapling instrument 10 is designed to manipulate and/or actuate various forms and sizes of end effectors 12 that are operably attached thereto. In FIGS. 1-1E, for example, the end effector 12 includes an elongated channel 14 that forms a lower jaw 13 of the end effector 12. The elongated channel 14 is configured to support an “implantable” staple cartridge 30 and also movably support an anvil 20 that functions as an upper jaw 15 of the end effector 12.

[0555] The elongated channel 14 may be fabricated from, for example, 300 & 400 Series, 17-4 & 17-7 stainless steel, titanium, etc. and be formed with spaced side walls 16. The anvil 20 may be fabricated from, for example, 300 & 400 Series, 17-4 & 17-7 stainless steel, titanium, etc. and have a staple forming undersurface, generally labeled as 22 that has a plurality of staple forming pockets 23 formed therein. See FIGS. 1B-1E. In addition, the anvil 20 has a bifurcated ramp assembly 24 that protrudes proximally therefrom. An anvil pin 26 protrudes from each lateral side of the ramp assembly 24 to be received within a corresponding slot or opening 18 in the side walls 16 of the elongated channel 14 to facilitate its movable or pivotable attachment thereto.

[0556] Various forms of implantable staple cartridges may be employed with the surgical instruments disclosed herein. Specific staple cartridge configurations and constructions will be

END6843WOPCT3

discussed in further detail below. However, In FIG. 1A, an implantable staple cartridge 30 is shown. The staple cartridge 30 has a body portion 31 that consists of a compressible hemostat material such as, for example, oxidized regenerated cellulose (“ORC”) or a bio-absorbable foam in which lines of unformed metal staples 32 are supported. In order to prevent the staple from being affected and the hemostat material from being activated during the introduction and positioning process, the entire cartridge may be coated or wrapped in a biodegradable film 38 such as a polydioxanone film sold under the trademark PDS® or with a Polyglycerol sebacate (PGS) film or other biodegradable films formed from PGA (Polyglycolic acid, marketed under the trade mark Vicryl), PCL (Polycaprolactone), PLA or PLLA (Polylactic acid), PHA (polyhydroxyalkanoate), PGCL (poliglecaprone 25, sold under the trademark Monocryl) or a composite of PGA, PCL, PLA, PDS that would be impermeable until ruptured. The body 31 of staple cartridge 30 is sized to be removably supported within the elongated channel 14 as shown such that each staple 32 therein is aligned with corresponding staple forming pockets 23 in the anvil when the anvil 20 is driven into forming contact with the staple cartridge 30.

[0557] In use, once the end effector 12 has been positioned adjacent the target tissue, the end effector 12 is manipulated to capture or clamp the target tissue between an upper face 36 of the staple cartridge 30 and the staple forming surface 22 of the anvil 20. The staples 32 are formed by moving the anvil 20 in a path that is substantially parallel to the elongated channel 14 to bring the staple forming surface 22 and, more particularly, the staple forming pockets 23 therein into substantially simultaneous contact with the upper face 36 of the staple cartridge 30. As the anvil 20 continues to move into the staple cartridge 30, the legs 34 of the staples 32 contact a corresponding staple forming pocket 23 in anvil 20 which serves to bend the staple legs 34 over to form the staples 32 into a “B shape”. Further movement of the anvil 20 toward the elongated channel 14 will further compress and form the staples 32 to a desired final formed height “FF”.

[0558] The above-described staple forming process is generally depicted in FIGS. 1B-1E. For example, FIG. 1B illustrates the end effector 12 with target tissue “T” between the anvil 20 and the upper face 36 of the implantable staple cartridge 30. FIG. 1C illustrates the initial clamping position of the anvil 20 wherein the anvil has 20 been closed onto the target tissue “T” to clamp the target tissue “T” between the anvil 20 and the upper face 36 of the staple cartridge 30. FIG. 1D illustrates the initial staple formation wherein the anvil 20 has started to compress the staple cartridge 30 such that the legs 34 of the staples 32 are starting to be formed by the staple forming

END6843WOPCT3

pockets 23 in the anvil 20. FIG. 1E illustrates the staple 32 in its final formed condition through the target tissue "T" with the anvil 20 removed for clarity purposes. Once the staples 32 have been formed and fastened to the target tissue "T", the surgeon will move the anvil 20 to the open position to enable the cartridge body 31 and the staples 32 to remain affixed to the target tissue while the end effector 12 is being withdrawn from the patient. The end effector 12 forms all of the staples simultaneously as the two jaws 13, 15 are clamped together. The remaining "crushed" body materials 31 act as both a hemostat (the ORC) and a staple line reinforcement (PGA, PDS or any of the other film compositions mentioned above 38). Also, since the staples 32 never have to leave the cartridge body 31 during forming, the likelihood of the staples 32 being malformed during forming is minimized. As used herein the term "implantable" means that, in addition to the staples, the cartridge body materials that support the staples will also remain in the patient and may eventually be absorbed by the patient's body. Such implantable staple cartridges are distinguishable from prior cartridge arrangements that remain positioned within the end effector in their entirety after they have been fired.

[0559] In various implementations, the end effector 12 is configured to be coupled to an elongated shaft assembly 40 that protrudes from a handle assembly 100. The end effector 12 (when closed) and the elongated shaft assembly 40 may have similar cross-sectional shapes and be sized to operably pass through a trocar tube or working channel in another form of access instrument. As used herein, the term "operably pass" means that the end effector and at least a portion of the elongated shaft assembly may be inserted through or passed through the channel or tube opening and can be manipulated therein as needed to complete the surgical stapling procedure. When in a closed position, the jaws 13 and 15 of the end effector 12 may provide the end effector with a roughly circular cross-sectional shape that facilitates its passage through a circular passage/opening. However, the end effectors of the present invention, as well as the elongated shaft assemblies, could conceivably be provided with other cross-sectional shapes that could otherwise pass through access passages and openings that have non-circular cross-sectional shapes. Thus, an overall size of a cross-section of a closed end effector will be related to the size of the passage or opening through which it is intended to pass. Thus, one end effector for example, may be referred to as a "5mm" end effector which means it can operably pass through an opening that is at least approximately 5mm in diameter.

END6843WOPCT3

[0560] The elongated shaft assembly 40 may have an outer diameter that is substantially the same as the outer diameter of the end effector 12 when in a closed position. For example, a 5mm end effector may be coupled to an elongated shaft assembly 40 that has 5mm cross-sectional diameter. However, as the present Detailed Description proceeds, it will become apparent that the present invention may be effectively used in connection with different sizes of end effectors. For example, a 10mm end effector may be attached to an elongated shaft that has a 5mm cross-sectional diameter. Conversely, for those applications wherein a 10mm or larger access opening or passage is provided, the elongated shaft assembly 40 may have a 10mm (or larger) cross-sectional diameter, but may also be able to actuate a 5mm or 10mm end effector. Accordingly, the outer shaft 40 may have an outer diameter that is the same as or is different from the outer diameter of a closed end effector 12 attached thereto.

[0561] As depicted, the elongated shaft assembly 40 extends distally from the handle assembly 100 in a generally straight line to define a longitudinal axis A-A. For example, the elongated shaft assembly 40 may be approximately 9-16 inches (229-406mm) long. However, the elongated shaft assembly 40 may be provided in other lengths or may have joints therein or be otherwise configured to facilitate articulation of the end effector 12 relative to other portions of the shaft or handle assembly as will be discussed in further detail below. The elongated shaft assembly 40 includes a spine member 50 that extends from the handle assembly 100 to the end effector 12. The proximal end of the elongated channel 14 of the end effector 12 has a pair of retention trunnions 17 protruding therefrom that are sized to be received within corresponding trunnion openings or cradles 52 that are provided in a distal end of the spine member 50 to enable the end effector 12 to be removably coupled the elongated shaft assembly 40. The spine member 50 may be fabricated from, for example, 6061 or 7075 aluminum, stainless steel, titanium, etc.

[0562] The handle assembly 100 comprises a pistol grip-type housing that may be fabricated in two or more pieces for assembly purposes. For example, the handle assembly 100 as shown comprises a right hand case member 102 and a left hand case member (not illustrated) that are molded or otherwise fabricated from a polymer or plastic material and are designed to mate together. Such case members may be attached together by snap features, pegs and sockets molded or otherwise formed therein and/or by adhesive, screws, etc. The spine member 50 has a proximal end 54 that has a flange 56 formed thereon. The flange 56 is configured to be rotatably

END6843WOPCT3

supported within a groove 106 formed by mating ribs 108 that protrude inwardly from each of the case members 102, 104. Such arrangement facilitates the attachment of the spine member 50 to the handle assembly 100 while enabling the spine member 50 to be rotated relative to the handle assembly 100 about the longitudinal axis A-A in a 360° path.

[0563] As can be further seen in FIG. 1, the spine member 50 passes through and is supported by a mounting bushing 60 that is rotatably affixed to the handle assembly 100. The mounting bushing 60 has a proximal flange 62 and a distal flange 64 that define a rotational groove 65 that is configured to rotatably receive a nose portion 101 of the handle assembly 100 therebetween. Such arrangement enables the mounting bushing 60 to rotate about longitudinal axis A-A relative to the handle assembly 100. The spine member 50 is non-rotatably pinned to the mounting bushing 60 by a spine pin 66. In addition, a rotation knob 70 is attached to the mounting bushing 60. For example, the rotation knob 70 has a hollow mounting flange portion 72 that is sized to receive a portion of the mounting bushing 60 therein. The rotation knob 70 may be fabricated from, for example, glass or carbon filled Nylon, polycarbonate, Ultem®, etc. and is affixed to the mounting bushing 60 by the spine pin 66 as well. In addition, an inwardly protruding retention flange 74 is formed on the mounting flange portion 72 and is configured to extend into a radial groove 68 formed in the mounting bushing 60. Thus, the surgeon may rotate the spine member 50 (and the end effector 12 attached thereto) about longitudinal axis A-A in a 360° path by grasping the rotation knob 70 and rotating it relative to the handle assembly 100.

[0564] The anvil 20 is retained in an open position by an anvil spring 21 and/or another biasing arrangement. The anvil 20 is selectively movable from the open position to various closed or clamping and firing positions by a firing system, generally designated as 109. The firing system 109 includes a “firing member” 110 which comprises a hollow firing tube 110. The hollow firing tube 110 is axially movable on the spine member 50 and thus forms the outer portion of the elongated shaft assembly 40. The firing tube 110 may be fabricated from a polymer or other suitable material and have a proximal end that is attached to a firing yoke 114 of the firing system 109. For example, the firing yoke 114 may be over-molded to the proximal end of the firing tube 110. However, other fastener arrangements may be employed.

[0565] As can be seen in FIG. 1, the firing yoke 114 may be rotatably supported within a support collar 120 that is configured to move axially within the handle assembly 100. The support collar 120 has a pair of laterally extending fins that are sized to be slidably received within fin slots

END6843WOPCT3

formed in the right and left hand case members. Thus, the support collar 120 may slide axially within the handle housing 100 while enabling the firing yoke 114 and firing tube 110 to rotate relative thereto about the longitudinal axis A-A. According to the invention, a longitudinal slot is provided through the firing tube 110 to enable the spine pin 66 to extend therethrough into the spine member 50 while facilitating the axial travel of the firing tube 110 on the spine member 50. [0566] The firing system 109 further comprises a firing trigger 130 which serves to control the axial travel of the firing tube 110 on the spine member 50. See FIG. 1. Such axial movement in the distal direction of the firing tube 110 into firing interaction with the anvil 20 is referred to herein as “firing motion”. As can be seen in FIG. 1, the firing trigger 130 is movably or pivotally coupled to the handle assembly 100 by a pivot pin 132. A torsion spring 135 is employed to bias the firing trigger 130 away from the pistol grip portion 107 of the handle assembly 100 to an un-actuated “open” or starting position. As can be seen in FIG. 1, the firing trigger 130 has an upper portion 134 that is movably attached to (pinned) firing links 136 that are movably attached to (pinned) the support collar 120. Thus, movement of the firing trigger 130 from the starting position (FIG. 1) toward an ending position adjacent the pistol grip portion 107 of the handle assembly 100 will cause the firing yoke 114 and the firing tube 110 to move in the distal direction “DD”. Movement of the firing trigger 130 away from the pistol grip portion 107 of the handle assembly 100 (under the bias of the torsion spring 135) will cause the firing yoke 114 and firing tube 110 to move in the proximal direction “PD” on the spine member 50.

[0567] The present invention may be employed with different sizes and configurations of implantable staple cartridges. For example, the surgical instrument 10, when used in connection with a first firing adapter 140, may be used with a 5mm end effector 12 that is approximately 20mm long (or in other lengths) which supports an implantable staple cartridge 30. Such end effector size may be particularly well-suited, for example, to complete relatively fine dissection and vascular transactions. However, as will be discussed in further detail below, the surgical instrument 10 may also be employed, for example, in connection with other sizes of end effectors and staple cartridges by replacing the first firing adapter 140 with a second firing adapter. As an additional alternative, the elongated shaft assembly 40 may be configured to be attached to only one form or size of end effector.

[0568] One method of removably coupling the end effector 12 to the spine member 50 will now be explained. The coupling process is commenced by inserting the retention trunnions 17 on the

END6843WOPCT3

elongated channel 14 into the trunnion cradles 52 in the spine member 50. Thereafter, the surgeon advances the firing trigger 130 toward the pistol grip 107 of the housing assembly 100 to distally advance the firing tube 110 and the first firing adapter 140 over a proximal end portion 47 of the elongated channel 14 to thereby retain the trunnions 17 in their respective cradles 52. Such position of the first firing adapter 140 over the trunnions 17 is referred to herein as the “coupled position”. The present invention may also have an end effector locking assembly for locking the firing trigger 130 in position after an end effector 12 has been attached to the spine member 50.

[0569] More specifically, one embodiment of the end effector locking assembly 160 includes a retention pin 162 that is movably supported in the upper portion 134 of the firing trigger 130. As discussed above, the firing tube 110 must initially be advanced distally to the coupled position wherein the first firing adapter 140 retains the retention trunnions 17 of the end effector 12 in the trunnion cradles 52 in the spine member 50. The surgeon advances the firing adapter 140 distally to the coupled position by pulling the firing trigger 130 from the starting position toward the pistol grip 107. As the firing trigger 130 is initially actuated, the retention pin 162 is moved distally until the firing tube 110 has advanced the first firing adapter 140 to the coupled position at which point the retention pin 162 is biased into a locking cavity 164 formed in the case member. Optionally, when the retention pin 162 enters into the locking cavity 164, the pin 162 may make an audible “click” or other sound, as well as provide a tactile indication to the surgeon that the end effector 12 has been “locked” onto the spine member 50. In addition, the surgeon cannot inadvertently continue to actuate the firing trigger 130 to start to form staples 32 in the end effector 12 without intentionally biasing the retention pin 162 out of the locking cavity 164. Similarly, if the surgeon releases the firing trigger 130 when in the coupled position, it is retained in that position by the retention pin 162 to prevent the firing trigger 130 from returning to the starting position and thereby releasing the end effector 12 from the spine member 50.

[0570] The present invention may further include a firing system lock button 137 that is pivotally attached to the handle assembly 100. In one form, the firing system lock button 137 has a latch 138 formed on a distal end thereof that is oriented to engage the firing yoke 114 when the firing release button is in a first latching position. As can be seen in FIG. 1, a latch spring 139 serves to bias the firing system lock button 137 to the first latching position. In various circumstances, the latch 138 serves to engage the firing yoke 114 at a point where the position of the firing yoke

END6843WOPCT3

114 on the spine member 50 corresponds to a point wherein the first firing adapter 140 is about to distally advance up the clamping ramp 28 on the anvil 20. It will be understood that, as the first firing adapter 140 advances axially up the clamping ramp 28, the anvil 20 will move in a path such that its staple forming surface portion 22 is substantially parallel to the upper face 36 of the staple cartridge 30.

[0571] After the end effector 12 has been coupled to the spine member 50, the staple forming process is commenced by first depressing the firing system lock button 137 to enable the firing yoke 114 to be further moved distally on the spine member 50 and ultimately compress the anvil 20 into the staple cartridge 30. After depressing the firing system lock button 137, the surgeon continues to actuate the firing trigger 130 towards the pistol grip 107 thereby driving the first staple collar 140 up the corresponding staple forming ramp 29 to force the anvil 20 into forming contact with the staples 32 in the staple cartridge 30. The firing system lock button 137 prevents the inadvertent forming of the staples 32 until the surgeon is ready to start that process. In this embodiment, the surgeon must depress the firing system lock button 137 before the firing trigger 130 may be further actuated to begin the staple forming process.

[0572] The surgical instrument 10 may be solely used as a tissue stapling device if so desired. However, the present invention may also include a tissue cutting system, generally designated as 170. In at least one form, the tissue cutting system 170 comprises a knife member 172 that may be selectively advanced from an un-actuated position adjacent the proximal end of the end effector 12 to an actuated position by actuating a knife advancement trigger 200. The knife member 172 is movably supported within the spine member 50 and is attached or otherwise protrudes from a knife rod 180. The knife member 172 may be fabricated from, for example, 420 or 440 stainless steel with a hardness of greater than 38HRC (Rockwell Hardness C-scale) and have a tissue cutting edge 176 formed on the distal end 174 thereof and be configured to slidably extend through a slot in the anvil 20 and a centrally disposed slot 33 in the staple cartridge 30 to cut through tissue that is clamped in the end effector 12. The knife rod 180 extends through the spine member 50 and has a proximal end portion which drivingly interfaces with a knife transmission that is operably attached to the knife advance trigger 200. The knife advance trigger 200 is attached to pivot pin 132 such that it may be pivoted or otherwise actuated without actuating the firing trigger 130. According to the invention, a first knife gear 192 is also attached to the pivot pin 132 such that actuation of the knife advance trigger 200 also pivots the first knife

END6843WOPCT3

gear 192. A firing return spring 202 is attached between the first knife gear 192 and the handle housing 100 to bias the knife advancement trigger 200 to a starting or un-actuated position.

[0573] The knife transmission also include a second knife gear 194 that is rotatably supported on a second gear spindle and in meshing engagement with the first knife gear 192. The second knife gear 194 is in meshing engagement with a third knife gear 196 that is supported on a third gear spindle. Also supported on the third gear spindle 195 is a fourth knife gear 198. The fourth knife gear 198 is adapted to drivingly engage a series of annular gear teeth or rings on a proximal end of the knife rod 180. Thus, such arrangement enables the fourth knife gear 198 to axially drive the knife rod 180 in the distal direction “DD” or proximal direction “PD” while enabling the firing rod 180 to rotate about longitudinal axis A-A with respect to the fourth knife gear 198. Accordingly, the surgeon may axially advance the firing rod 180 and ultimately the knife member 172 distally by pulling the knife advancement trigger 200 towards the pistol grip 107 of the handle assembly 100.

[0574] The present invention further include a knife lockout system 210 that prevents the advancement of the knife member 172 unless the firing trigger 130 has been pulled to the fully fired position. Such feature will therefore prevent the activation of the knife advancement system 170 unless the staples have first been fired or formed into the tissue. As can be seen in FIG. 1, various implementations of the knife lockout system 210 comprise a knife lockout bar 211 that is pivotally supported within the pistol grip portion 107 of the handle assembly 100. The knife lockout bar 211 has an activation end 212 that is adapted to be engaged by the firing trigger 130 when the firing trigger 130 is in the fully fired position. In addition, the knife lockout bar 211 has a retaining hook 214 on its other end that is adapted to hookingly engage a latch rod 216 on the first cut gear 192. A knife lock spring 218 is employed to bias the knife lockout bar 211 to a “locked” position wherein the retaining hook 214 is retained in engagement with the latch rod 216 to thereby prevent actuation of the knife advancement trigger 200 unless the firing trigger 130 is in the fully fired position.

[0575] After the staples have been “fired” (formed) into the target tissue, the surgeon may depress the firing trigger release button 167 to enable the firing trigger 130 to return to the starting position under the bias of the torsion spring 135 which enables the anvil 20 to be biased to an open position under the bias of spring 21. When in the open position, the surgeon may withdraw the end effector 12 leaving the implantable staple cartridge 30 and staples 32 behind.

END6843WOPCT3

In applications wherein the end effector was inserted through a passage, working channel, etc. the surgeon will return the anvil 20 to the closed position by activating the firing trigger 130 to enable the end effector 12 to be withdrawn out through the passage or working channel. If, however, the surgeon desires to cut the target tissue after firing the staples, the surgeon activates the knife advancement trigger 200 in the above-described manner to drive the knife bar 172 through the target tissue to the end of the end effector. Thereafter, the surgeon may release the knife advancement trigger 200 to enable the firing return spring 202 to cause the firing transmission to return the knife bar 172 to the starting (un-actuated) position. Once the knife bar 172 has been returned to the starting position, the surgeon may open the end effector jaws 13, 15 to release the implantable cartridge 30 within the patient and then withdraw the end effector 12 from the patient. Thus, such surgical instruments facilitate the use of small implantable staple cartridges that may be inserted through relatively smaller working channels and passages, while providing the surgeon with the option to fire the staples without cutting tissue or if desired to also cut tissue after the staples have been fired.

[0576] Various unique and novel embodiments of the present invention employ a compressible staple cartridge that supports staples in a substantially stationary position for forming contact by the anvil. The anvil is driven into the unformed staples wherein, for example, the degree of staple formation attained is dependent upon how far the anvil is driven into the staples. Such an arrangement provides the surgeon with the ability to adjust the amount of forming or firing pressure applied to the staples and thereby alter the final formed height of the staples. In other The present invention, surgical stapling arrangements can employ staple driving elements which can lift the staples toward the anvil. These are described in greater detail further below.

[0577] Optionally, with regard to the above, the amount of firing motion that is applied to the movable anvil is dependent upon the degree of actuation of the firing trigger. For example, if the surgeon desires to attain only partially formed staples, then the firing trigger is only partially depressed inward towards the pistol grip 107. To attain more staple formation, the surgeon simply compresses the firing trigger further which results in the anvil being further driven into forming contact with the staples. As used herein, the term "forming contact" means that the staple forming surface or staple forming pockets have contacted the ends of the staple legs and have started to form or bend the legs over into a formed position. The degree of staple formation refers to how far the staple legs have been folded over and ultimately relates to the forming

END6843WOPCT3

height of the staple as referenced above. Those of ordinary skill in the art will further understand that, because the anvil 20 moves in a substantially parallel relationship with respect to the staple cartridge as the firing motions are applied thereto, the staples are formed substantially simultaneously with substantially the same formed heights.

[0578] FIGS. 2 and 3 illustrate an alternative end effector 12'' that is similar to the end effector 12' described above, except with the following differences that are configured to accommodate a knife bar 172'. The knife bar 172' is coupled to or protrudes from a knife rod 180 and is otherwise operated in the above described manner with respect to the knife bar 172. However, in this embodiment, the knife bar 172' is long enough to traverse the entire length of the end effector 12'' and therefore, a separate distal knife member is not employed in the end effector 12''. The knife bar 172' has an upper transverse member 173' and a lower transverse member 175' formed thereon. The upper transverse member 173' is oriented to slidably transverse a corresponding elongated slot 250 in anvil 20'' and the lower transverse member 175' is oriented to transverse an elongated slot 252 in the elongated channel 14'' of the end effector 12''. A disengagement slot (not shown) is also provided in the anvil 20'' such that when the knife bar 172' has been driven to an ending position with thin end effector 12'', the upper transverse member 173' drops through the corresponding slot to enable the anvil 20'' to move to the open position to disengage the stapled and cut tissue. The anvil 20'' may be otherwise identical to anvil 20 described above and the elongated channel 14'' may be otherwise identical to elongated channel 14 described above.

[0579] In these embodiments, the anvil 20'' is biased to a fully open position (FIG. 2) by a spring or other opening arrangement (not shown). The anvil 20'' is moved between the open and fully clamped positions by the axial travel of the firing adapter 150 in the manner described above. Once the firing adapter 150 has been advanced to the fully clamped position (FIG. 3), the surgeon may then advance the knife bar 172'' distally in the manner described above. If the surgeon desires to use the end effector as a grasping device to manipulate tissue, the firing adapter may be moved proximally to allow the anvil 20'' to move away from the elongated channel 14'' as represented in FIG. 4 in broken lines. In this embodiment, as the knife bar 172'' moves distally, the upper transverse member 173' and the lower transverse member 175' draw the anvil 20'' and elongated channel 14'' together to achieve the desired staple formation as the knife bar 172'' is advanced distally through the end effector 12''. See FIG. 5. Thus, in this

END6843WOPCT3

embodiment, staple formation occurs simultaneously with tissue cutting, but the staples themselves may be sequentially formed as the knife bar 172" is driven distally.

[0580] The unique and novel features of the various surgical staple cartridges and the surgical instruments of the present invention enable the staples in those cartridges to be arranged in one or more linear or non-linear lines. A plurality of such staple lines may be provided on each side of an elongated slot that is centrally disposed within the staple cartridge for receiving the tissue cutting member therethrough. In one arrangement, for example, the staples in one line may be substantially parallel with the staples in adjacent line(s) of staples, but offset therefrom. As an additional alternative, one or more lines of staples may be non-linear in nature. That is, the base of at least one staple in a line of staples may extend along an axis that is substantially transverse to the bases of other staples in the same staple line. For example, as will be discussed in further detail below, alternatively, the lines of staples on each side of the elongated slot may have a zigzag appearance. Such non-linear staple arrangements may attain better tissue fastening results with less staples than various linear staple arrangements employed in prior staple cartridges.

[0581] FIG. 6 illustrates use of a surgical staple cartridge 900 in an end effector 612'. As can be seen in FIGS. 6 and 7, the surgical staple cartridge 900 has a cartridge body 902 that has a centrally disposed elongated slot 904 extending through a proximal end 903 to an area adjacent a distal end 905. The elongated slot 904 is configured to permit a knife body to axially move therethrough during a tissue cutting operation in the manner described above. The cartridge body 902 consists of a compressible hemostat material such as, for example, oxidized regenerated cellulose ("ORC") or a bio-absorbable foam fabricated from, for example, PGA (Polyglycolic acid, sold under the trademark Vicryl), PCL (polycaprolactone), PLA or PLLA (Polyactic acid), PDS, (Polydioxanone), PHA (polyhydroxyalkanoate), PGCL (poliglecaprone 25, sold under the trademark Monocryl) or a composite of PGA, PCL, PLA and PDS in which lines 920, 930 of unformed staples 922 are supported. However, the cartridge body 902 may be fabricated from other materials that serve to support the unformed staples 922 in a desired orientation such that they may be compressed as the anvil 910' is brought into contact therewith. The staple cartridge 900 is implantable and is left attached to the stapled tissue after the stapling procedure has been completed. In order to prevent the staples 922 from being affected and the hemostat material from being activated during the introduction and positioning process, the entire cartridge 900 may be coated or wrapped in a biodegradable film 906 such as a polydioxanon film sold under

END6843WOPCT3

the trademark PDS® or with a Polyglycerol sebacate (PGS) film or other biodegradable films fabricated from, for example, PGA (Polyglycolic acid, marketed under the trade mark Vicryl), PCL (Polycaprolactone), PLA or PLLA (Polylactic acid), PHA (polyhydroxyalkanoate), PGCL (poliglecaprone 25, sold under the trademark Monocryl) or a composite of PGA, PCL, PLA, PDS that would be impermeable until ruptured. The cartridge body 902 of staple cartridge 900 is sized to be removably supported within the elongated channel of the end effector 612'.

[0582] In FIGS. 6, 10, and 11, the surgical staple cartridge 900 operably supports a first line 920 of staples 922 on one lateral side 907 of the elongated slot 904 and a second line 930 of staples 922 on the other lateral side 909 of the elongated slot 904. The staples 922 may be fabricated from a metal material such as, for example, Titanium, Titanium alloys (e.g., 6Al-4V Titanium, 3al-2.5V Titanium), Stainless Steel, etc. and have a staple base 924 and two upstanding staple legs 926 protruding therefrom. Each staple leg 926 may have a tissue-piercing tip 928 formed thereon. In the first line 920 of staples 922, the staple base 924 of at least one staple 922 overlaps the staple base of another staple 922. Preferably, the staple base 924 of each staple 922 overlaps the staple bases 924 of two adjacent staples 922, except for the base 924 of the last staple 922 on each end of the first staple line 920. See FIG. 10. Thus, the first staple line 920 has a substantially non-linear shape. More particularly, when viewed from above, the first staple line 920 has a substantially zigzag appearance.

[0583] As can be seen in FIG. 9, the anvil 90 has two sequential longitudinal staple forming pockets 912 that each has a substantial zigzag shape that corresponds to the shape of the first line 920 of staples 922 such that, when the anvil 910 is brought into forming contact with the staples 922, the legs 926 thereof are formed as shown in FIG. 11. Thus, the distal leg of one staple shares the same pocket as the proximal leg of the next staple longitudinally. Such arrangement allows for a denser pocket pattern, even to a point where the staples themselves interact (e.g., are folded over one another). In prior staple pocket arrangements, in general, there has to be between 0.005 and 0.015 inches of metal/space from one set of pockets to the next. This embodiment of the present invention, however, has a spacing arrangement from 0 to 0.02 inches of interference/overlap (essentially a -0.020") because one staple mates with the next staple, for example. Such arrangements allow for 15-30% more staples in the same space. Furthermore, when the staples interlock, there is less need for multiple lateral rows of staples. Prior arrangements commonly employ three rows on each side of the tissue cut line to prevent the

END6843WOPCT3

existing of an open path through which blood may pass. Lines of interlocking staples are less likely to leave paths through which blood may pass. Another distinct advantage provided by the various interlocking staple arrangements of the present invention relates to improved “burst strength” which relates to the amount of force required to tear a staple line open.

[0584] Another staple forming pocket arrangement may comprise a common staple forming pocket. As used herein, the term “common staple forming pocket” means that one forming pocket can form all of the staples in a single line of staples as opposed to prior anvil designs wherein a discrete forming pocket is provided for each leg of each staple to be formed.

[0585] FIG. 12 illustrates yet another staple embodiment 922' wherein the base 924' has an offset portion 929 to facilitate a tighter overlap of the bases 924'. As indicated above, the staple cartridge 900 has a second line 930 of staples 922 supported on a second lateral side 909 of the elongated slot 904. The second line 930 of staples 922 is substantially identical to the first line 920 of staples 922. Thus, the anvil 910 has a second common staple forming pocket 912 that corresponds to the second line of staples 930 for forming contact therewith. Alternatively, however, the second line 930 of staples 922 may differ from the first line 920 of staples in shape and, perhaps, number of staples.

[0586] FIG. 8 illustrates a surgical staple cartridge 900' that is substantially identical to the staple cartridge 900 described above, with the exception of the lines 920', 930' of staples 922 supported therein. For example, in this embodiment, the line 920' of staples 922 are arranged relative to each other such that a base axis S-S of at least one staple base 924 is substantially transverse to the base axis S-S of the staple base 924 of at least one other adjacent staple 922. Such predetermined pattern of staples, when viewed from above, comprises a substantially zigzag arrangement. In FIG. 13, the respective bases 924 of staples 922 may additionally have a base support member 927 overmolded thereon as shown. The base support member 927 may be fabricated from, for example, non-absorbable plastic such as Polyether ether ketone “PEEK” or absorbable plastic such as, for example, Polyglycolic acid “PGA”, Polylactic acid “PLA” or “PLLA”, Polydioxanone “PDS”, PCL (polycaprolactone), PHA (polyhydroxyalkanoate), PGCL (poliglecaprone 25, sold under the trademark Monocryl) or various composite mixes of PGS, PDS, PLA, PGA, and PCL. The base support members 927 facilitate interlocking between the staples without making the staples themselves overlap. Thus, such arrangements could form staples with “B” shapes or inverted “W” shapes without the legs of the staples themselves

END6843WOPCT3

overlapping. However, the crowns are connected by the base support members so they act like overlapping staples. Such arrangements allow the combined pockets to have two discrete paths for each leg.

[0587] FIG. 14 employs a staple line 920 wherein the legs 926 of adjacent staples 922 are coupled together by a coupler portion 929 molded or otherwise attached thereto. Each coupler portion 929 may be fabricated from, for example, Polyether ether ketone "PEEK" or absorbable plastic such as, for example, Polyglycolic acid "PGA", Polylactic acid "PLA" or "PLLA", Polydioxanone "PDS", PCL (polycaprolactone), PHA (polyhydroxyalkanoate), PGCL (poliglecaprone 25, sold under the trademark Monocryl) or various composite mixes of PGS, PDS, PLA, PGA, and PCL. Such staple line 920 has substantial zigzag appearance when viewed from above. While the various surgical staple cartridge embodiments 900, 900' have been explained with reference to use with the end effector 612', it will be understood that the staple cartridges 900, 900' may be effectively employed with the various other end effectors and surgical instruments described hereinabove, with appropriate staple forming pocket arrangements being provided in the anvils of those instruments in order to achieve the desired amount of staple formation upon movement of the anvils into forming contact with the staples.

[0588] FIGS. 15 and 16 illustrate another surgical staple cartridge 940 embodiment supported in an elongated channel 14 of a surgical instrument 10. The surgical staple cartridge 940 includes a cartridge body 942 that has a centrally disposed elongated slot 944 extending at least partially therethrough. The elongated slot 944 is configured to permit a knife body of the surgical instrument 10 to axially move therethrough during a tissue cutting operation in the manner described above. The cartridge body 942 consists of a compressible hemostat material such as, for example, oxidized regenerated cellulose ("ORC") or a bio-absorbable foam of the types described above or below in which lines 946, 948, 950, 952 of unformed staples 922 are supported. In order to prevent the staples 922 from being affected and the hemostat material from being activated during the introduction and positioning process, the entire cartridge 940 may be coated or wrapped in a biodegradable film 954 such as a polydioxanone film sold under the trademark PDS® or with a Polyglycerol sebacate (PGS) film or other biodegradable films fabricated from, for example, PGA (Polyglycolic acid, marketed under the trade mark Vicryl), PCL (Polycaprolactone), PLA or PLLA (Polylactic acid), PHA (polyhydroxyalkanoate), PGCL

END6843WOPCT3

(poliglecaprone 25, sold under the trademark Monocryl) or a composite of PGA, PCL, PLA, PDS that would be impermeable until ruptured.

[0589] In FIG. 15, the cartridge 940 further includes a cartridge support member 960 that is coupled to the cartridge body 942. The cartridge support member 960 may be fabricated from a rigid material such as, for example, Titanium, Stainless Steel, aluminum, any alloy of the foregoing, etc. and may be partially embedded within the cartridge body 942. The cartridge support member 960 may be held in place by, for example, film 954. Alternatively, where a limited bond is desired, sporadic use of cyanoacrylate could be used to “glue” the two components together. As an additional alternative, the cartridge body 942 may be heated and “welded” or “fused” to the cartridge support member 960. The cartridge support member 960 forms at least a portion of the bottom surface of the cartridge body 942 for mating with the elongated channel 14. The cartridge support member 960 has one or more snap features 962 protruding therefrom for releasably coupling the cartridge support member 960 to the elongated channel 14. Other forms of snap features/fastener arrangements may be employed for releasably coupling the cartridge support member 960 to the elongated channel 14.

[0590] The cartridge support member 960 has a series of support ridges 964, 966, 968, 970, 972, 974, 976 formed thereon to provide some lateral support to the bases 924 of the staples 922 in the staple lines 946, 948, 950, 952 as shown in FIG. 15. Thus, the support ridges are substantially coextensive with the staple lines. FIG. 17 illustrates an alternative staple cartridge embodiment 940' that is substantially identical to cartridge 940, except for the inclusion of upstanding fin portions 978, 979, 980, 981, 982, 983 that protrude from the support ridges 964, 966, 968, 970, 972, 976, respectively to provide additional lateral support to the staples 922. The fin portions may be integrally formed with the cartridge support member 960 and have a height that is about $\frac{1}{2}$ or less of the height of the cartridge. Thus, For example, any standing features supporting the foam cannot extend above the maximum compression height of the foam. Thus, if the cartridge is designed, for example, to compress to $\frac{1}{3}$ of its original height when fired, the fins would be between 66% of the uncompressed height, all the way down to 10% of uncompressed height.

[0591] In use, once the staples 922 have been formed through contact with the anvil 20 in the manner described above, the anvil 20 is opened and the end effector 12 is pulled away from the stapled tissue. As the end effector 12 is pulled away from the stapled tissue, the cartridge body 942 remains fastened to the stapled tissue and is then separated from the cartridge support

END6843WOPCT3

member 960 which remains coupled to the elongated channel 14. The cartridge support member 960 is provided with a color that differs from the color of the material comprising the cartridge body 942 as well as the color of the elongated channel 14. Such arrangement provides the surgeon with an easily recognizable indication that no staple cartridge is present within the end effector. Thus, the surgeon will not inadvertently attempt to reinsert/use the end effector without first installing a new staple cartridge therein. To do so, the surgeon simply disconnects the snap features of the cartridge support member 960 from the elongated channel 14 to enable the cartridge support member 960 of a new staple cartridge 940 to be placed therein. While the staple cartridges 940, 940' have been explained with reference to surgical instrument 10, it will be understood that those cartridges may be effectively employed with many of the other surgical instruments disclosed herein without departing from the spirit and scope of the present invention.

[0592] According to the invention, a staple cartridge can comprise a cartridge body and a plurality of staples stored within the cartridge body. In use, the staple cartridge can be introduced into a surgical site and positioned on a side of the tissue being treated. In addition, a staple-forming anvil can be positioned on the opposite side of the tissue. The anvil can be carried by a first jaw and the staple cartridge can be carried by a second jaw, wherein the first jaw and/or the second jaw can be moved toward the other. Once the staple cartridge and the anvil have been positioned relative to the tissue, the staples can be ejected from the staple cartridge body such that the staples can pierce the tissue and contact the staple-forming anvil. Once the staples have been deployed from the staple cartridge body, the staple cartridge body can then be removed from the surgical site. The staple cartridge, or at least a portion of a staple cartridge, can be implanted with the staples. For example, as described in greater detail further below, a staple cartridge can comprise a cartridge body which can be compressed, crushed, and/or collapsed by the anvil when the anvil is moved from an open position into a closed position. When the cartridge body is compressed, crushed, and/or collapsed, the staples positioned within the cartridge body can be deformed by the anvil. Alternatively, the jaw supporting the staple cartridge can be moved toward the anvil into a closed position. In either event, the staples can be deformed while they are at least partially positioned within the cartridge body. In some cases, the staples may not eject from the staple cartridge while, in other cases, the staples can be ejected from the staple cartridge along with a portion of the cartridge body.

END6843WOPCT3

[0593] Referring now to FIGS. 18A-18D, a compressible staple cartridge, such as staple cartridge 1000, for example, can comprise a compressible, implantable cartridge body 1010 and, in addition, a plurality of staples 1020 positioned in the compressible cartridge body 1010, although only one staple 1020 is depicted in FIGS. 18A-18D. FIG. 18A illustrates the staple cartridge 1000 supported by a staple cartridge support, or staple cartridge channel, 1030, wherein the staple cartridge 1000 is illustrated in an uncompressed condition. In such an uncompressed condition, the anvil 1040 may or may not be in contact with the tissue T. In use, the anvil 1040 can be moved from an open position into contact with the tissue T as illustrated in FIG. 18B and position the tissue T against the cartridge body 1010. Even though the anvil 1040 can position the tissue T against a tissue-contacting surface 1019 of staple cartridge body 1010, referring again to FIG. 18B, the staple cartridge body 1010 may be subjected to little, if any, compressive force or pressure at such point and the staples 1020 may remain in an unformed, or unfired, condition. As illustrated in FIGS. 18A and 18B, the staple cartridge body 1010 can comprise one or more layers and the staple legs 1021 of staples 1020 can extend upwardly through these layers. The cartridge body 1010 can comprise a first layer 1011, a second layer 1012, a third layer 1013, wherein the second layer 1012 can be positioned intermediate the first layer 1011 and the third layer 1013, and a fourth layer 1014, wherein the third layer 1013 can be positioned intermediate the second layer 1012 and the fourth layer 1014. The bases 1022 of the staples 1020 can be positioned within cavities 1015 in the fourth layer 1014 and the staple legs 1021 can extend upwardly from the bases 1022 and through the fourth layer 1014, the third layer 1013, and the second layer 1012, for example. Optionally, each deformable leg 1021 can comprise a tip, such as sharp tip 1023, for example, which can be positioned in the second layer 1012, for example, when the staple cartridge 1000 is in an uncompressed condition. For example, the tips 1023 may not extend into and/or through the first layer 1011, wherein, the tips 1023 may not protrude through the tissue-contacting surface 1019 when the staple cartridge 1000 is in an uncompressed condition. The sharp tips 1023 may be positioned in the third layer 1013, and/or any other suitable layer, when the staple cartridge is in an uncompressed condition.

Alternatively, a cartridge body of a staple cartridge may have any suitable number of layers such as less than four layers or more than four layers, for example.

[0594] Optionally, as described in greater detail below, the first layer 1011 can be comprised of a buttress material and/or plastic material, such as polydioxanone (PDS) and/or polyglycolic acid

END6843WOPCT3

(PGA), for example, and the second layer 1012 can be comprised of a bioabsorbable foam material and/or a compressible hemostatic material, such as oxidized regenerated cellulose (ORC), for example. Optionally, one or more of the first layer 1011, the second layer 1012, the third layer 1013, and the fourth layer 1014 may hold the staples 1020 within the staple cartridge body 1010 and, in addition, maintain the staples 1020 in alignment with one another. The third layer 1013 can be comprised of a buttress material, or a fairly incompressible or inelastic material, which can be configured to hold the staple legs 1021 of the staples 1020 in position relative to one another. Furthermore, the second layer 1012 and the fourth layer 1014, which are positioned on opposite sides of the third layer 1013, can stabilize, or reduce the movement of, the staples 1020 even though the second layer 1012 and the fourth layer 1014 can be comprised of a compressible foam or elastic material. The staple tips 1023 of the staple legs 1021 can be at least partially embedded in the first layer 1011. For example, the first layer 1011 and the third layer 1013 can be configured to co-operatively and firmly hold the staple legs 1021 in position. The first layer 1011 and the third layer 1013 can each be comprised of a sheet of bioabsorbable plastic, such as polyglycolic acid (PGA) which is marketed under the trade name Vicryl, polylactic acid (PLA or PLLA), polydioxanone (PDS), polyhydroxyalkanoate (PHA), poliglecaprone 25 (PGCL) which is marketed under the trade name Monocryl, polycaprolactone (PCL), and/or a composite of PGA, PLA, PDS, PHA, PGCL and/or PCL, for example, and the second layer 1012 and the fourth layer 1014 can each be comprised of at least one hemostatic material or agent.

[0595] Although the first layer 1011 can be compressible, the second layer 1012 can be substantially more compressible than the first layer 1011. For example, the second layer 1012 can be about twice as compressible, about three times as compressible, about four times as compressible, about five times as compressible, and/or about ten times as compressible, for example, as the first layer 1011. Stated another way, the second layer 1012 may compress about two times, about three times, about four times, about five times, and/or about ten times as much as first layer 1011, for a given force. The second layer 1012 can be between about twice as compressible and about ten times as compressible, for example, as the first layer 1011. The second layer 1012 can comprise a plurality of air voids defined therein, wherein the amount and/or size of the air voids in the second layer 1012 can be controlled in order to provide a desired compressibility of the second layer 1012. Similar to the above, although the third layer

END6843WOPCT3

1013 can be compressible, the fourth layer 1014 can be substantially more compressible than the third layer 1013. For example, the fourth layer 1014 can be about twice as compressible, about three times as compressible, about four times as compressible, about five times as compressible, and/or about ten times as compressible, for example, as the third layer 1013. Stated another way, the fourth layer 1014 may compress about two times, about three times, about four times, about five times, and/or about ten times as much as third layer 1013, for a given force. The fourth layer 1014 can be between about twice as compressible and about ten times as compressible, for example, as the third layer 1013. The fourth layer 1014 can comprise a plurality of air voids defined therein, wherein the amount and/or size of the air voids in the fourth layer 1014 can be controlled in order to provide a desired compressibility of the fourth layer 1014. In various circumstances, the compressibility of a cartridge body, or cartridge body layer, can be expressed in terms of a compression rate, i.e., a distance in which a layer is compressed for a given amount of force. For example, a layer having a high compression rate will compress a larger distance for a given amount of compressive force applied to the layer as compared to a layer having a lower compression rate. This being said, the second layer 1012 can have a higher compression rate than the first layer 1011 and, similarly, the fourth layer 1014 can have a higher compression rate than the third layer 1013. The second layer 1012 and the fourth layer 1014 can be comprised of the same material and can comprise the same compression rate. The second layer 1012 and the fourth layer 1014 can be comprised of materials having different compression rates. Similarly, the first layer 1011 and the third layer 1013 can be comprised of the same material and can comprise the same compression rate. The first layer 1011 and the third layer 1013 can be comprised of materials having different compression rates.

[0596] As the anvil 1040 is moved toward its closed position, the anvil 1040 can contact tissue T and apply a compressive force to the tissue T and the staple cartridge 1000, as illustrated in FIG. 18C. In such circumstances, the anvil 1040 can push the top surface, or tissue-contacting surface 1019, of the cartridge body 1010 downwardly toward the staple cartridge support 1030. The staple cartridge support 1030 can comprise a cartridge support surface 1031 which can be configured to support the staple cartridge 1000 as the staple cartridge 1000 is compressed between the cartridge support surface 1031 and the tissue-contacting surface 1041 of anvil 1040. Owing to the pressure applied by the anvil 1040, the cartridge body 1010 can be compressed and the anvil 1040 can come into contact with the staples 1020. More particularly, the compression

END6843WOPCT3

of the cartridge body 1010 and the downward movement of the tissue-contacting surface 1019 can cause the tips 1023 of the staple legs 1021 to pierce the first layer 1011 of cartridge body 1010, pierce the tissue T, and enter into forming pockets 1042 in the anvil 1040. As the cartridge body 1010 is further compressed by the anvil 1040, the tips 1023 can contact the walls defining the forming pockets 1042 and, as a result, the legs 1021 can be deformed or curled inwardly, for example, as illustrated in FIG. 18C. As the staple legs 1021 are being deformed, as also illustrated in FIG. 18C, the bases 1022 of the staples 1020 can be in contact with or supported by the staple cartridge support 1030. Optionally, as described in greater detail below, the staple cartridge support 1030 can comprise a plurality of support features, such as staple support grooves, slots, or troughs 1032, for example, which can be configured to support the staples 1020, or at least the bases 1022 of the staples 1020, as the staples 1020 are being deformed. As also illustrated in FIG. 18C, the cavities 1015 in the fourth layer 1014 can collapse as a result of the compressive force applied to the staple cartridge body 1010. In addition to the cavities 1015, the staple cartridge body 1010 can further comprise one or more voids, such as voids 1016, for example, which may or may not comprise a portion of a staple positioned therein, that can be configured to allow the cartridge body 1010 to collapse. The cavities 1015 and/or the voids 1016 can be configured to collapse such that the walls defining the cavities and/or walls deflect downwardly and contact the cartridge support surface 1031 and/or contact a layer of the cartridge body 1010 positioned underneath the cavities and/or voids.

[0597] Upon comparing FIG. 18B and FIG. 18C, it is evident that the second layer 1012 and the fourth layer 1014 have been substantially compressed by the compressive pressure applied by the anvil 1040. It may also be noted that the first layer 1011 and the third layer 1013 have been compressed as well. As the anvil 1040 is moved into its closed position, the anvil 1040 may continue to further compress the cartridge body 1010 by pushing the tissue-contacting surface 1019 downwardly toward the staple cartridge support 1030. As the cartridge body 1010 is further compressed, the anvil 1040 can deform the staples 1020 into their completely-formed shape as illustrated in FIG. 18D. Referring to FIG. 18D, the legs 1021 of each staple 1020 can be deformed downwardly toward the base 1022 of each staple 1020 in order to capture at least a portion of the tissue T, the first layer 1011, the second layer 1012, the third layer 1013, and the fourth layer 1014 between the deformable legs 1021 and the base 1022. Upon comparing FIGS. 18C and 18D, it is further evident that the second layer 1012 and the fourth layer 1014 have been

END6843WOPCT3

further substantially compressed by the compressive pressure applied by the anvil 1040. It may also be noted upon comparing FIGS. 18C and 18D that the first layer 1011 and the third layer 1013 have been further compressed as well. After the staples 1020 have been completely, or at least sufficiently, formed, the anvil 1040 can be lifted away from the tissue T and the staple cartridge support 1030 can be moved away, and/or detached from, the staple cartridge 1000. As depicted in FIG. 18D, and as a result of the above, the cartridge body 1010 can be implanted with the staples 1020. In various circumstances, the implanted cartridge body 1010 can support the tissue along the staple line. In some circumstances, a hemostatic agent, and/or any other suitable therapeutic medicament, contained within the implanted cartridge body 1010 can treat the tissue over time. A hemostatic agent, as mentioned above, can reduce the bleeding of the stapled and/or incised tissue while a bonding agent or tissue adhesive can provide strength to the tissue over time. The implanted cartridge body 1010 can be comprised of materials such as ORC (oxidized regenerated cellulous), protein matrix, polyglycolic acid (PGA) which is marketed under the trade name Vicryl, polylactic acid (PLA or PLLA), polydioxanone (PDS), polyhydroxyalkanoate (PHA), poliglecaprone 25 (PGCL) which is marketed under the trade name Monocryl, polycaprolactone (PCL), and/or a composite of PGA, PLA, PDS, PHA, PGCL and/or PCL, for example. In certain circumstances, the cartridge body 1010 can comprise an antibiotic and/or anti-microbial material, such as colloidal silver and/or triclosan, for example, which can reduce the possibility of infection in the surgical site.

[0598] The layers of the cartridge body 1010 can be connected to one another. The second layer 1012 can be adhered to the first layer 1011, the third layer 1013 can be adhered to the second layer 1012, and the fourth layer 1014 can be adhered to the third layer 1013 utilizing at least one adhesive, such as fibrin and/or protein hydrogel, for example. Although not illustrated, the layers of the cartridge body 1010 can be connected together by interlocking mechanical features. For example, the first layer 1011 and the second layer 1012 can each comprise corresponding interlocking features, such as a tongue and groove arrangement and/or a dovetail joint arrangement, for example. Similarly, the second layer 1012 and the third layer 1013 can each comprise corresponding interlocking features while the third layer 1013 and the fourth layer 1014 can each comprise corresponding interlocking features. Although not illustrated, the staple cartridge 1000 can comprise one or more rivets, for example, which can extend through one or more layers of the cartridge body 1010. For example, each rivet can comprise a first end, or

END6843WOPCT3

head, positioned adjacent to the first layer 1011 and a second head positioned adjacent to the fourth layer 1014 which can be either assembled to or formed by a second end of the rivet. Owing to the compressible nature of the cartridge body 1010, the rivets can compress the cartridge body 1010 such that the heads of the rivets can be recessed relative to the tissue-contacting surface 1019 and/or the bottom surface 1018 of the cartridge body 1010, for example. For example, the rivets can be comprised of a bioabsorbable material, such as polyglycolic acid (PGA) which is marketed under the trade name Vicryl, polylactic acid (PLA or PLLA), polydioxanone (PDS), polyhydroxyalkanoate (PHA), poliglecaprone 25 (PGCL) which is marketed under the trade name Monocryl, polycaprolactone (PCL), and/or a composite of PGA, PLA, PDS, PHA, PGCL and/or PCL, for example. The layers of the cartridge body 1010 may not be connected to one another other than by the staples 1020 contained therein. For example, the frictional engagement between the staple legs 1021 and the cartridge body 1010, for example, can hold the layers of the cartridge body 1010 together and, once the staples have been formed, the layers can be captured within the staples 1020. At least a portion of the staple legs 1021 can comprise a roughened surface or rough coating which can increase the friction forces between the staples 1020 and the cartridge body 1010.

[0599] As described above, a surgical instrument can comprise a first jaw including the staple cartridge support 1030 and a second jaw including the anvil 1040. Optionally, as described in greater detail further below, the staple cartridge 1000 can comprise one or more retention features which can be configured to engage the staple cartridge support 1030 and, as a result, releasably retain the staple cartridge 1000 to the staple cartridge support 1030. The staple cartridge 1000 can be adhered to the staple cartridge support 1030 by at least one adhesive, such as fibrin and/or protein hydrogel, for example. In use, in at least one circumstance, especially in laparoscopic and/or endoscopic surgery, the second jaw can be moved into a closed position opposite the first jaw, for example, such that the first and second jaws can be inserted through a trocar into a surgical site. For example, the trocar can define an approximately 5mm aperture, or cannula, through which the first and second jaws can be inserted. The second jaw can be moved into a partially-closed position intermediate the open position and the closed position which can allow the first and second jaws to be inserted through the trocar without deforming the staples 1020 contained in the staple cartridge body 1010. For example, the anvil 1040 may not apply a compressive force to the staple cartridge body 1010 when the second jaw is in its partially-closed

END6843WOPCT3

intermediate position while, the anvil 1040 can compress the staple cartridge body 1010 when the second jaw is in its partially-closed intermediate position. Even though the anvil 1040 can compress the staple cartridge body 1010 when it is in such an intermediate position, the anvil 1040 may not sufficiently compress the staple cartridge body 1010 such that the anvil 1040 comes into contact with the staples 1020 and/or such that the staples 1020 are deformed by the anvil 1040. Once the first and second jaws have been inserted through the trocar into the surgical site, the second jaw can be opened once again and the anvil 1040 and the staple cartridge 1000 can be positioned relative to the targeted tissue as described above.

[0600] Referring now to FIGS. 19A-19D, an end effector of a surgical stapler can comprise an implantable staple cartridge 1100 positioned intermediate an anvil 1140 and a staple cartridge support 1130. Similar to the above, the anvil 1140 can comprise a tissue-contacting surface 1141, the staple cartridge 1100 can comprise a tissue-contacting surface 1119, and the staple cartridge support 1130 can comprise a support surface 1131 which can be configured to support the staple cartridge 1100. Referring to FIG. 19A, the anvil 1140 can be utilized to position the tissue T against the tissue contacting surface 1119 of staple cartridge 1100 without deforming the staple cartridge 1100 and, when the anvil 1140 is in such a position, the tissue-contacting surface 1141 can be positioned a distance 1101a away from the staple cartridge support surface 1131 and the tissue-contacting surface 1119 can be positioned a distance 1102a away from the staple cartridge support surface 1131. Thereafter, as the anvil 1140 is moved toward the staple cartridge support 1130, referring now to FIG. 19B, the anvil 1140 can push the top surface, or tissue-contacting surface 1119, of staple cartridge 1100 downwardly and compress the first layer 1111 and the second layer 1112 of cartridge body 1110. As the layers 1111 and 1112 are compressed, referring again to FIG. 19B, the second layer 1112 can be crushed and the legs 1121 of staples 1120 can pierce the first layer 1111 and enter into the tissue T. For example, the staples 1120 can be at least partially positioned within staple cavities, or voids, 1115 in the second layer 1112 and, when the second layer 1112 is compressed, the staple cavities 1115 can collapse and, as a result, allow the second layer 1112 to collapse around the staples 1120. The second layer 1112 can comprise cover portions 1116 which can extend over the staple cavities 1115 and enclose, or at least partially enclose, the staple cavities 1115. FIG. 19B illustrates the cover portions 1116 being crushed downwardly into the staple cavities 1115. The second layer 1112 can comprise one or more weakened portions which can facilitate the collapse of the second layer 1112.

END6843WOPCT3

Optionally, such weakened portions can comprise score marks, perforations, and/or thin cross-sections, for example, which can facilitate a controlled collapse of the cartridge body 1110. The first layer 1111 can comprise one or more weakened portions which can facilitate the penetration of the staple legs 1121 through the first layer 1111. Optionally, such weakened portions can comprise score marks, perforations, and/or thin cross-sections, for example, which can be aligned, or at least substantially aligned, with the staple legs 1121.

[0601] When the anvil 1140 is in a partially closed, unfired position, referring again to FIG. 19A, the anvil 1140 can be positioned a distance 1101a away from the cartridge support surface 1131 such that a gap is defined therebetween. This gap can be filled by the staple cartridge 1100, having a staple cartridge height 1102a, and the tissue T. As the anvil 1140 is moved downwardly to compress the staple cartridge 1100, referring again to FIG. 19B, the distance between the tissue contacting surface 1141 and the cartridge support surface 1131 can be defined by a distance 1101b which is shorter than the distance 1101a. In various circumstances, the gap between the tissue-contacting surface 1141 of anvil 1140 and the cartridge support surface 1131, defined by distance 1101b, may be larger than the original, undeformed staple cartridge height 1102a. As the anvil 1140 is moved closer to the cartridge support surface 1131, referring now to FIG. 19C, the second layer 1112 can continue to collapse and the distance between the staple legs 1121 and the forming pockets 1142 can decrease. Similarly, the distance between the tissue-contacting surface 1141 and the cartridge support surface 1131 can decrease to a distance 1101c which may be greater than, equal to, or less than the original, undeformed cartridge height 1102a. Referring now to FIG. 19D, the anvil 1140 can be moved into a final, fired position in which the staples 1120 have been fully formed, or at least formed to a desired height. In such a position, the tissue-contacting surface 1141 of anvil 1140 can be a distance 1101d away from the cartridge support surface 1131, wherein the distance 1101d can be shorter than the original, undeformed cartridge height 1102a. As also illustrated in FIG. 19D, the staple cavities 1115 may be fully, or at least substantially, collapsed and the staples 1120 may be completely, or at least substantially, surrounded by the collapsed second layer 1112. In various circumstances, the anvil 1140 can be thereafter moved away from the staple cartridge 1100. Once the anvil 1140 has been disengaged from the staple cartridge 1100, the cartridge body 1110 can at least partially re-expand in various locations, i.e., locations intermediate adjacent staples 1120, for example. The crushed cartridge body 1110 may not resiliently re-expand. The formed staples 1120 and, in addition, the cartridge

END6843WOPCT3

body 1110 positioned intermediate adjacent staples 1120 may apply pressure, or compressive forces, to the tissue T which may provide various therapeutic benefits.

[0602] As discussed above, referring again to FIG. 19A, each staple 1120 can comprise staple legs 1121 extending therefrom. Although staples 1120 are depicted as comprising two staple legs 1121, various staples can be utilized which can comprise one staple leg or, alternatively, more than two staple legs, such as three staple legs or four staple legs, for example. As illustrated in FIG. 19A, each staple leg 1121 can be embedded in the second layer 1112 of the cartridge body 1110 such that the staples 1120 are secured within the second layer 1112. The staples 1120 can be inserted into the staple cavities 1115 in cartridge body 1110 such that the tips 1123 of the staple legs 1121 enter into the cavities 1115 before the bases 1122. After the tips 1123 have been inserted into the cavities 1115, the tips 1123 can be pressed into the cover portions 1116 and incise the second layer 1112. The staples 1120 can be seated to a sufficient depth within the second layer 1112 such that the staples 1120 do not move, or at least substantially move, relative to the second layer 1112. The staples 1120 can be seated to a sufficient depth within the second layer 1112 such that the bases 1122 are positioned or embedded within the staple cavities 1115. Alternatively, the bases 1122 may not be positioned or embedded within the second layer 1112. Referring again to FIG. 19A, the bases 1122 may extend below the bottom surface 1118 of the cartridge body 1110. The bases 1122 can rest on, or can be directly positioned against, the cartridge support surface 1130. The cartridge support surface 1130 can comprise support features extending therefrom and/or defined therein wherein, for example, the bases 1122 of the staples 1120 may be positioned within and supported by one or more support grooves, slots, or troughs, 1132, for example, in the staple cartridge support 1130, as described in greater detail further below.

[0603] Further to the above, referring now to FIG. 20, the bases 1122 of the staples 1120 can be positioned directly against the support surface 1131 of staple cartridge support 1130. Optionally, including where the staple bases 1122 comprise circular or arcuate bottom surfaces 1124, for example, the staple bases 1122 may move or slide along the staple cartridge support surface 1131. Such sliding can occur when the anvil 1140 is pressed against the tips 1123 of the staple legs 1121 during the staple forming process. As described above and referring now to FIG. 21, the staple cartridge support 1130 can comprise one or more support slots 1132 therein which can be configured to eliminate, or at least reduce, the relative movement between the staple bases

END6843WOPCT3

1122 and the cartridge support surface 1131. For example, each support slot 1132 can be defined by a surface contour which matches, or at least substantially matches, the contour of the bottom surface of the staple positioned therein. For example, the bottom surface 1124 of the base 1122 depicted in FIG. 21 can comprise a circular, or at least substantially circular, surface and the support slot 1132 can also comprise a circular, or at least substantially circular, surface. For example, the surface defining the slot 1132 can be defined by a radius of curvature which is greater than or equal to a radius of curvature which defines bottom surface 1124. Although the slots 1132 may assist in preventing or reducing relative sliding movement between the staples 1120 and the staple cartridge support 1130, the slots 1132 may also be configured to prevent or reduce relative rotational movement between the staples 1120 and the staple cartridge support 1130. More particularly, the slots 1132 can be configured to closely receive the bases 1122 in order to prevent or reduce the rotation of the staples 1120 about axes 1129, for example, such that the staples 1120 do not rotate or twist when they are being deformed.

[0604] Further to the above, each staple 1120 can be formed from a round, or an at least substantially round, wire. The legs and the base of each staple can be formed from a wire having a non-circular cross-section, such as a rectangular cross-section, for example. For example, the staple cartridge support 1130 can comprise corresponding non-circular slots, such as rectangular slots, for example, configured to receive the bases of such staples. Referring now to FIG. 22, each staple 1120 can comprise a crown, such as a crown 1125, for example, overmolded onto a base 1122 wherein each crown 1125 can be positioned within a support slot in the staple cartridge support 1130. For example, each crown 1125 can comprise a square and/or rectangular cross-section, for example, which can be configured to be received within square and/or rectangular slots 1134, for example, in the staple cartridge support 1130. The crowns 1125 can be comprised of a bioabsorbable plastic, such as polyglycolic acid (PGA) which is marketed under the trade name Vicryl, polylactic acid (PLA or PLLA), polydioxanone (PDS), polyhydroxyalkanoate (PHA), poliglecaprone 25 (PGCL) which is marketed under the trade name Monocryl, polycaprolactone (PCL), and/or a composite of PGA, PLA, PDS, PHA, PGCL and/or PCL, for example, and can be formed around the bases 1122 of the staples 1120 by an injection molding process, for example. Various crowns and methods for forming various crowns are disclosed in U.S. Patent Application Serial No. 11/541,123, entitled SURGICAL STAPLES HAVING COMPRESSIBLE OR CRUSHABLE MEMBERS FOR SECURING TISSUE

END6843WOPCT3

THEREIN AND STAPLING INSTRUMENTS FOR DEPLOYING THE SAME, filed on September 29, 2006, the entire disclosure of which is incorporated by reference herein. Referring again to FIG. 22, the slots 1134 can further comprise lead-ins, or bevels, 1135 which can be configured to facilitate the insertion of the crowns 1125 into the slots 1134. The bases and/or crowns of the staples 1120 may be positioned within the slots 1134 when the staple cartridge 1100 is assembled to the staple cartridge support 1130. The crowns 1125 of the staples 1120 may be aligned with the slots 1134 when the staple cartridge 1100 is assembled to the staple cartridge support 1130. For example, the crowns 1125 may not enter into the slots 1134 until a compressive force is applied to the staple legs 1121 and the bases and/or crowns of the staples 1120 are pushed downwardly into the slots 1134.

[0605] Referring now to FIGS. 23 and 24, a staple cartridge, such as staple cartridge 1200, for example, can comprise a compressible, implantable cartridge body 1210 comprising an outer layer 1211 and an inner layer 1212. Similar to the above, the staple cartridge 1200 can comprise a plurality of staples 1220 positioned within the cartridge body 1210. Optionally, each staple 1220 can comprise a base 1222 and one or more staple legs 1221 extending therefrom. For example, the staple legs 1221 can be inserted into the inner layer 1212 and seated to a depth in which the bases 1222 of the staples 1220 abut and/or are positioned adjacent to the bottom surface 1218 of the inner layer 1212, for example. In FIGS. 23 and 24, the inner layer 1212 does not comprise staple cavities configured to receive a portion of the staples 1220 while, alternatively, the inner layer 1212 can comprise such staple cavities. Further to the above, the inner layer 1212 can be comprised of a compressible material, such as bioabsorbable foam and/or oxidized regenerated cellulose (ORC), for example, which can be configured to allow the cartridge body 1210 to collapse when a compressive load is applied thereto. The inner layer 1212 can be comprised of a lyophilized foam comprising polylactic acid (PLA) and/or polyglycolic acid (PGA), for example. The ORC may be commercially available under the trade name Surgicel and can comprise a loose woven fabric (like a surgical sponge), loose fibers (like a cotton ball), and/or a foam. The inner layer 1212 can be comprised of a material including medicaments, such as freeze-dried thrombin and/or fibrin, for example, contained therein and/or coated thereon which can be water-activated and/or activated by fluids within the patient's body, for example. For example, the freeze-dried thrombin and/or fibrin can be held on a Vicryl (PGA) matrix, for example. In certain circumstances, however, the activatable medicaments can be

END6843WOPCT3

unintentionally activated when the staple cartridge 1200 is inserted into a surgical site within the patient, for example. Referring again to FIGS. 23 and 24, the outer layer 1211 can be comprised of a water impermeable, or at least substantially water impermeable, material such that liquids do not come into contact with, or at least substantially contact, the inner layer 1212 until after the cartridge body 1210 has been compressed and the staple legs have penetrated the outer layer 1211 and/or after the outer layer 1211 has been incised in some fashion. The outer layer 1211 can be comprised of a buttress material and/or plastic material, such as polydioxanone (PDS) and/or polyglycolic acid (PGA), for example. The outer layer 1211 can comprise a wrap which surrounds the inner layer 1212 and the staples 1220. More particularly, the staples 1220 can be inserted into the inner layer 1212 and the outer layer 1211 can be wrapped around the sub-assembly comprising the inner layer 1212 and the staples 1220 and then sealed.

[0606] Referring now to FIGS. 25 and 26, a staple cartridge, such as staple cartridge 1300, for example, can comprise a compressible, implantable cartridge body 1310 including an outer layer 1311 and an inner layer 1312. Similar to the above, the staple cartridge 1300 can further comprise staples 1320 positioned within the cartridge body 1310 wherein each staple 1320 can comprise a base 1322 and one or more legs 1321 extending therefrom. Similar to staple cartridge 1200, the bases 1322 of staples 1320 can extend below the bottom surface 1318 of the inner layer 1312 and the outer layer 1311 can surround the bases 1322. For example, the outer layer 1311 can be sufficiently flexible so as to envelop each staple base 1322 such that the outer layer 1311 conforms to the contour of the bases 1322. Alternatively, referring again to FIG. 24, the outer layer 1211 can be sufficiently rigid such that it extends around the bases 1222 without conforming to each base 1222. In any event, the outer layer 1311 can be positioned intermediate the bases 1322 of staples 1320 and a staple cartridge support surface, such as support surfaces 1031 or 1131, for example, supporting the staple cartridge 1300. For example, the outer layer 1311 can be positioned intermediate the bases 1322 and support slots, such as slots 1032 or 1132, for example, defined in the staple cartridge support surface. For example, further to the above, the outer layer 1311 can be configured to limit the movement of the bases 1322 and/or increase the coefficient of friction between the bases 1322 and the staple cartridge support surface and/or support slots in order to reduce relative movement therebetween. Alternatively, referring now to FIGS. 27 and 28, the outer layer of a staple cartridge, such as staple cartridge 1400, for example, may not entirely surround the staples positioned therein. For example, an outer layer 1411 of a

END6843WOPCT3

compressible, implantable cartridge body 1410 may be assembled to the inner layer 1412 before the staple legs 1421 of staples 1420 are inserted into the cartridge body 1410. As a result of the above, the bases 1422 of staples 1420 may extend outside of the outer layer 1411 and, for example, the bases 1422 may be positioned directly into the support slots 1032 or 1132 within the staple cartridge support surfaces 1031 or 1131, for example. The staple legs 1421 may incise the outer layer 1411 when they are inserted therethrough. In various circumstances, the holes created by the staple legs 1421 may closely surround the staple legs 1421 such that very little, if any, fluid can leak between the staple legs 1421 and the outer layer 1411 which can reduce the possibility of, or prevent, the medicament contained within the staple cartridge body 1410 from being activated and/or leaking out of the cartridge body 1410 prematurely.

[0607] As discussed above, referring again to FIGS. 23 and 24, the legs 1221 of the staples 1220 can be embedded within the cartridge body 1210 and the bases 1222 of staples 1220 may extend outwardly from the bottom surface 1218 of the inner layer 1212. Further to the above, the inner layer 1212 may not comprise staple cavities configured to receive the staples 1220.

Alternatively, referring now to FIGS. 29 and 30, a staple cartridge, such as staple cartridge 1500, for example, may comprise a compressible, implantable cartridge body 1510 comprising staple cavities 1515 which can be configured to receive at least a portion of the staples 1520 therein. For example, a top portion of the staple legs 1521 of the staples 1520 may be embedded in the inner layer 1512 while a bottom portion of the staple legs 1521, and the bases 1522, may be positioned within the staple cavities 1515. The bases 1522 may be entirely positioned in the staple cavities 1515 or the bases 1522 may at least partially extend below the bottom surface 1518 of the inner layer 1512. Similar to the above, the outer layer 1511 may enclose the inner layer 1512 and the staples 1520 positioned therein. Alternatively, referring now to FIG. 31, a staple cartridge 1600 may comprise staples 1620 positioned within staple cavities 1615 in a compressible, implantable cartridge body 1610 wherein at least a portion of the staples 1620 are not enclosed by the outer layer 1611. For example, each staple 1620 can comprise staple legs 1621 which are at least partially embedded in the inner layer 1612 and, in addition, bases 1622 which extend outwardly around the outer layer 1611.

[0608] Referring now to FIGS. 32 and 33, a staple cartridge, such as staple cartridge 1700, for example, can comprise a compressible, implantable cartridge body 1710 and a plurality of staples 1720 at least partially positioned within the cartridge body 1710. The cartridge body 1710

END6843WOPCT3

can comprise an outer layer 1711, an inner layer 1712, and, in addition, an alignment matrix 1740 which can be configured to align and/or retain the staples 1720 in position within the cartridge body 1710. The inner layer 1712 can comprise a recess 1741 which can be configured to receive the alignment matrix 1740 therein. The alignment matrix 1740 can be press-fit within the recess 1741 and/or otherwise suitably secured to the inner layer 1712 utilizing at least one adhesive, such as fibrin and/or protein hydrogel, for example. The recess 1741 can be configured such that the bottom surface 1742 of alignment matrix 1740 is aligned, or at least substantially aligned, with the bottom surface 1718 of the inner layer 1712. The bottom surface 1742 of the alignment matrix can be recessed with respect to and/or extend from the bottom surface 1718 of the second layer 1712. Optionally, each staple 1720 can comprise a base 1722 and one or more legs 1721 extending from the base 1722, wherein at least a portion of the staple legs 1721 can extend through the alignment matrix 1740. The alignment matrix 1740 can further comprise a plurality of apertures and/or slots, for example, extending therethrough which can be configured to receive the staple legs 1721 therein. For example, each aperture can be configured to closely receive a staple leg 1721 such that there is little, if any, relative movement between the staple leg 1721 and the sidewalls of the aperture. The alignment matrix apertures may not extend entirely through the alignment matrix 1740 and the staple legs 1721 may be required to incise the alignment matrix 1740 as the staple legs 1721 are pushed therethrough.

[0609] The alignment matrix 1740 can be comprised of a molded plastic body which, for example, can be stiffer or less compressible than the inner layer 1712 and/or the outer layer 1711. For example, the alignment matrix 1740 can be comprised of a plastic material and/or any other suitable material, such as polydioxanone (PDS) and/or polyglycolic acid (PGA), for example. The alignment matrix 1740 can be assembled to the inner layer 1712 and the staple legs 1721 can thereafter be inserted through the alignment matrix 1740 and embedded into the inner layer 1712. The bottom surface 1742 of the alignment matrix 1740 can comprise one or more grooves, slots, or troughs, for example, which can be configured to at least partially receive the bases 1722 of the staples 1720. Similar to the above, the outer layer 1711 can then be placed around the subassembly comprising the inner layer 1712, the alignment matrix 1740, and the staples 1720. Alternatively, the outer layer 1711 can be placed around a subassembly comprising the inner layer 1712 and the alignment matrix 1740 wherein the staples 1720 can be thereafter inserted through the outer layer 1711, the alignment matrix 1740, and the inner layer 1712. In

END6843WOPCT3

any event, as a result of the above, the inner layer 1712, the alignment matrix 1740, and/or the outer layer 1711 can be configured to retain the staples 1720 in position until and/or after they are deformed by an anvil as described above. For example, the alignment matrix 1740 can serve to hold the staples 1720 in place before the staple cartridge 1700 is implanted within a patient and, in addition, secure the tissue along the staple line after the staple cartridge 1700 has been implanted. The staples 1720 may be secured within the alignment matrix 1740 without being embedded in the inner layer 1712 and/or the outer layer 1711, for example.

[0610] Referring now to FIGS. 34-40, a staple cartridge, such as staple cartridge 1800, for example, can be assembled by compressing an inner layer 1812, inserting staples, such as staples 1820, for example, into the inner layer 1812, and wrapping the inner layer 1812 with an outer layer 1811. Referring primarily to FIG. 34, a compressible inner layer 1812 is illustrated as comprising a plurality of staple cavities 1815 defined therein, although alternatives are envisioned in which the inner layer 1812 does not comprise staple cavities, as described above. Referring now to FIG. 35, the compressible inner layer 1812 can be positioned intermediate a transfer plate 1850 and a support plate 1860 and compressed between the compression surfaces 1852 and 1862 thereof, respectively. As illustrated in FIG. 35, the top and bottom surfaces of the inner layer 1812 can be compressed toward one another and, in response thereto, the inner layer 1812 can bulge outwardly in the lateral directions. The inner layer 1812 can be compressed to a height which is approximately one-third of its original height, for example, and can have a height or thickness between approximately 0.06" and approximately 0.08" in its compressed state, for example. As also illustrated in FIG. 35, the transfer plate 1850 can further comprise a plurality of staples, such as staples 1820, for example, positioned within a plurality of staple wells 1853. In addition, the transfer plate 1850 can further comprise a plurality of drivers 1851 which can be configured to push the staples 1820 upwardly and out of the staple wells 1853. Referring now to FIG. 36, the drivers 1851 can be utilized to push the staple legs 1821 of the staples 1820 into and through the compressed inner layer 1812. The drivers 1851 can be configured such that the top surfaces thereof are positioned flush, or at least nearly flush, with the compression surface 1852 of the transfer plate 1850 when the staples 1820 have been fully deployed from the staple wells 1853 of transfer plate 1850. As also illustrated in FIG. 36, the support plate 1860 can comprise a plurality of receiving apertures 1861 which can be configured to receive the staple legs 1821, or at least the tips of the staple legs 1821, after they are pushed through the inner layer 1812. The

END6843WOPCT3

receiving apertures 1861, or the like, may be necessitated where the inner layer 1812 has been compressed to a height which is shorter than the height of the staples 1820 and, thus, when the staples 1820 have been fully ejected from the staple wells 1853, the staple legs 1821 may protrude from the top surface of the compressed inner layer 1812. The inner layer 1812 may be compressed to a height which is taller than the height of the staples 1820 and, as a result, the receiving apertures 1861 in support plate 1860 may be unnecessary.

[0611] After the staples 1820 have been inserted into the inner layer 1812, referring now to FIG. 37, the support plate 1860 can be moved away from the transfer plate 1850 in order to allow the inner layer 1812 to decompress. In such circumstances, the inner layer 1812 can resiliently re-expand to its original, or at least near-original, uncompressed height. As the inner layer 1812 re-expands, the height of the inner layer 1812 can increase such that it exceeds the height of the staples 1820 and such that the staple legs 1821 of the staples 1820 no longer protrude from the top surface of the inner layer 1812. In various circumstances, the receiving apertures 1861 can be configured to hold the staple legs 1821 in position at least until the support plate 1860 has been sufficiently moved away such that the legs 1821 are no longer positioned within the receiving apertures 1861. In such circumstances, the receiving apertures 1861 can assist in maintaining the relative alignment of the staples 1820 within the inner layer 1812 as it re-expands. In various circumstances, the inner layer 1812 and the staples 1820 positioned therein can comprise a subassembly 1801 which, referring now to FIG. 38, can be inserted into an outer layer 1811, for example. For example, the outer layer 1811 can comprise a cavity 1802 defined therein which can be configured to receive the subassembly 1801 therein. In various circumstances, a tool, such as pliers 1855, for example, can be utilized to pull the outer layer 1811 onto the subassembly 1801. Once the subassembly 1801 has been sufficiently positioned within the outer layer 1811, referring now to FIG. 39, the outer layer 1811 can be sealed. The outer layer 1811 can be sealed utilizing the application of heat energy to a portion thereof. More particularly, the outer layer 1811 can be comprised of a plastic material wherein the open end of the outer layer 1811 can be heat-staked by one or more heated elements, or irons, 1856 in order to bond and/or seal the perimeter of the open end of the outer layer 1811 together. For example, referring now to FIG. 40, an excess portion 1857 of the outer layer 1811 can be removed and the staple cartridge 1800 can then be used as described herein.

END6843WOPCT3

[0612] As described above, a staple cartridge can be positioned within and/or secured to a staple cartridge attachment portion. Referring now to FIGS. 41 and 42, a staple cartridge attachment portion can comprise a staple cartridge channel, such as staple cartridge channel 1930, for example, which can be configured to receive at least a portion of a staple cartridge, such as staple cartridge 1900, for example, therein. The staple cartridge channel 1930 can comprise a bottom support surface 1931, a first lateral support wall 1940, and a second lateral support wall 1941. In use, the staple cartridge 1900 can be positioned within the staple cartridge channel 1930 such that the staple cartridge 1900 is positioned against and/or adjacent to the bottom support surface 1931 and positioned intermediate the first lateral support wall 1940 and the second lateral support wall 1941. The first lateral support wall 1940 and the second lateral support wall 1941 can define a lateral gap therebetween. For example, the staple cartridge 1900 can comprise a lateral width 1903 which is the same as and/or wider than the lateral gap defined between the support walls 1940 and 1941 such that a compressible, implantable cartridge body 1910 of the staple cartridge 1900 can fit securely between the walls 1940 and 1941. The lateral width 1903 of the staple cartridge 1900 can be shorter than the gap defined between the first and second side walls 1940 and 1941. Optionally, at least a portion of the walls 1940 and 1941 and the bottom support surface 1931 can be defined by a stamped metal channel or, alternatively, at least a portion of the lateral support wall 1940 and/or lateral support wall 1941 can be comprised of a flexible material, such as an elastomeric material, for example. Referring primarily to FIG. 41, the first side wall 1940 and the second side wall 1941 of the staple cartridge channel 1930 can each be comprised of a rigid portion 1933 extending upwardly from the bottom support surface 1931 and a flexible portion 1934 extending upwardly from the rigid portions 1933.

[0613] Further to the above, the cartridge body 1910 of staple cartridge 1900 can be comprised of one or more compressible layers, such as first layer 1911 and second layer 1912, for example. When the cartridge body 1910 is compressed against the bottom support surface 1931 by an anvil, as described above, the side portions of the cartridge body 1910 can expand laterally. Where the staple cartridge 1930 is comprised of rigid side walls, the lateral expansion of the cartridge body 1910 can be prevented, or at least limited, by the rigid side walls and, as a result, a significant amount of internal pressure, or stress, can be developed within the cartridge body 1910. Where at least a portion of the staple cartridge 1930 is comprised of flexible side walls, the flexible side walls can be configured to flex laterally and permit the side portions of the cartridge

END6843WOPCT3

body 1910 to expand laterally, thereby reducing the internal pressure, or stress, generated within the cartridge body 1910. Where the cartridge channel does not comprise lateral side walls, or comprises lateral sidewalls which are relatively shorter than the staple cartridge, the side portions of the staple cartridge may expand laterally uninhibited, or at least substantially uninhibited. In any event, referring now to FIG. 42, a staple cartridge channel 2030 can comprise lateral sidewalls 2040 and 2041 which can be entirely comprised of a flexible material, such as an elastomeric material, for example. The staple cartridge channel 2030 can further comprise lateral slots 2033 extending along the sides of the bottom support surface 2031 of the staple cartridge channel 2030 which can be configured to receive and secure at least a portion of the lateral sidewalls 2040 and 2041 therein. The lateral side walls 2040 and 2041 can be secured in the slots 2033 via a snap-fit and/or press-fit arrangement while, the lateral side walls 2040 and 2041 can be secured in the slots 2033 by one or more adhesives. The sidewalls 2040 and 2041 may be detachable from the bottom support surface 2031 during use. In any event, a compressible, implantable cartridge body 2010 can be detached and/or disengaged from the lateral side walls 2040 and 2041 when the cartridge body 2010 is implanted with the staples 2020.

[0614] Referring now to FIG. 43, a surgical instrument can comprise a shaft 2150 and an end effector extending from the distal end of the shaft 2150. The end effector can comprise, similar to the above, a staple cartridge channel 2130, an anvil 2140 movable between an open position and a closed position, and a staple cartridge 2100 positioned intermediate the staple cartridge channel 2130 and the anvil 2140. Also similar to the above, the staple cartridge 2100 can comprise a compressible, implantable cartridge body 2110 and a plurality of staples 2120 positioned in the cartridge body 2110. The staple cartridge channel 2130 can comprise, one, a bottom support surface 2131 against which the staple cartridge 2100 can be positioned, two, a distal end 2135 and, three, a proximal end 2136. As illustrated in FIG. 43, the staple cartridge 2100 can comprise a first end 2105 which can be positionable in the distal end 2135 of the staple cartridge channel 2130 and a second end 2106 which can be positionable in the proximal end 2136 of the staple cartridge channel 2130. The distal end 2135 of the staple cartridge channel 2130 can comprise at least one distal retention feature, such as a retention wall 2137, for example, and, similarly, the proximal end 2136 can comprise at least one proximal retention feature, such as a retention wall 2138, for example. For example, the distal retention wall 2137 and the proximal retention wall 2138 can define a gap therebetween which can be equal to or less

END6843WOPCT3

than the length of the staple cartridge 2100 such that the staple cartridge 2100 can fit securely within the staple cartridge channel 2130 when the staple cartridge 2100 is inserted therein.

[0615] Referring again to FIGS. 23 and 24, a staple cartridge, such as staple cartridge 1200, for example, can comprise a flat, or at least substantially flat, tissue-contacting surface 1219. For example, the staple cartridge body 1210 of staple cartridge 1200 can comprise a first end 1205 which can be defined by a first height, or thickness, 1207 and a second end 1206 which can be defined by a second height, or thickness, 1208, wherein the first height 1207 can be equal to, or at least substantially equal to, the second height 1208. The cartridge body 1210 can comprise a constant, or at least substantially constant, height, or thickness, between the first end 1205 and the second end 1206. For example, the tissue-contacting surface 1219 can be parallel, or at least substantially parallel, to the bottom surface 1218 of the cartridge body 1210. Referring once again to FIG. 43, the first end 2105 of the cartridge body 2110 of staple cartridge 2100 can be defined by a first height 2107 which is different than a second height 2108 of the second end 2106. As illustrated, the first height 2107 is larger than the second height 2108, although the second height 2108 could be larger than the first height 2107 alternatively. The height of the cartridge body 2110 can decrease linearly and/or geometrically between the first end 2105 and the second end 2106. For example, the tissue-contacting surface 2119, which extends between the first end 2105 and the second end 2106, can be oriented along an angle defined therebetween. For example, the tissue-contacting surface 2119 may not be parallel to the bottom surface 2118 of the cartridge body 2110 and/or parallel to the support surface 2131 of the staple cartridge channel 2130.

[0616] Referring again to FIGS. 43 and 44, the anvil 2140 can comprise a tissue-contacting surface 2141 which can be parallel, or at least substantially parallel, to the support surface 2131 of the staple cartridge channel 2130 when the anvil 2140 is in a closed position, as illustrated in FIG. 44. When the anvil 2140 is in a closed position, the anvil 2140 can be configured to compress the first end 2105 of the staple cartridge 2100 more than the second end 2106 owing to the taller height of the first end 2105 and the shorter height of the second end 2106. In some circumstances, including circumstances where the tissue T positioned intermediate the tissue contacting surfaces 2119 and 2141 has a constant, or at least substantially constant, thickness, the pressure generated within the tissue T and the cartridge 2100 can be greater at the distal end of the end effector than the proximal end of the end effector. More particularly, when the tissue T

END6843WOPCT3

between the anvil 2140 and the staple cartridge 2100 has a substantially constant thickness, the tissue T positioned intermediate the distal end 2145 of the anvil 2140 and the first end 2105 of the staple cartridge 2100 can be more compressed than the tissue T positioned intermediate the proximal end 2146 of the anvil 2140 and the second end 2106 of the staple cartridge 2100.

According to the invention, a pressure gradient can be generated within the tissue T between the proximal end and the distal end of the end effector. More particularly, when the tissue T between the anvil 2140 and the staple cartridge 2100 has a substantially constant thickness and the height of the staple cartridge 2100 decreases linearly from the distal end to the proximal end of the end effector, the pressure within the tissue T can decrease linearly from the distal end of the end effector to the proximal end of the end effector. Similarly, when the tissue T between the anvil 2140 and the staple cartridge 2100 has a substantially constant thickness and the height of the staple cartridge 2100 decreases geometrically from the distal end to the proximal end of the end effector, the pressure within the tissue T can decrease geometrically from the distal end of the end effector to the proximal end of the end effector.

[0617] Referring again to FIG. 43, the tissue T positioned intermediate the staple cartridge 2100 and the anvil 2140 may not have a constant thickness throughout. In at least one such circumstance, the tissue T positioned between the proximal end 2146 of the anvil 2140 and the second end 2106 of the staple cartridge 2100 may be thicker than the tissue T positioned between the distal end 2145 of the anvil 2140 and the first end 2105 of the staple cartridge 2100. In such circumstances, as a result, the thicker tissue T may be generally positioned above the shorter proximal end 2106 of the staple cartridge 2100 and the thinner tissue T may be generally positioned above the taller distal end 2105. In use, the firing collar 2152 of the shaft 2150 can be advanced distally along the shaft spine 2151 such that the firing collar 2152 engages the cam portion 2143 of the anvil 2140 and rotates the anvil 2140 toward the staple cartridge 2100 as illustrated in FIG. 44. Once the anvil 2140 has been rotated into a fully-closed position, the tissue T may be compressed between the tissue-contacting surfaces 2119 and 2141 and, even though the height of the staple cartridge 2100 may not be constant between the proximal and distal ends of the end effector, the pressure or compressive forces applied to the tissue T may be constant, or at least substantially constant, thereacross. More particularly, as the thinner tissue T may be associated with the taller height of the staple cartridge 2100 and the thicker tissue T may be associated with the shorter height of the staple cartridge 2100, the cumulative, or summed, height

END6843WOPCT3

of the tissue T and the staple cartridge 2100 may be constant, or at least substantially constant, between the proximal and distal ends of the end effector and, as a result, the compression of this cumulative height by the anvil 2140 may be constant, or at least substantially constant, thereacross.

[0618] Referring again to FIGS. 43 and 44, the staple cartridge 2100 can comprise an asymmetrical configuration. For example, for example, the height of the staple cartridge 2100 at the first end 2105 thereof may be higher than the height of the staple cartridge 2100 at the second end 2106 thereof. The staple cartridge 2100 and/or the staple cartridge channel 2130 can comprise one or more alignment and/or retention features which can be configured to assure that the staple cartridge 2100 can only be positioned within the staple cartridge channel 2130 in one orientation, i.e., an orientation in which the first end 2105 is positioned in the distal end 2135 of the staple cartridge channel 2130 and the second end 2106 is positioned in the proximal end 2136. Alternatively, the staple cartridge 2100 and/or the staple cartridge channel 2130 can comprise one or more alignment and/or retention features which can be configured to permit the staple cartridge 2100 to be positioned within the staple cartridge channel 2130 in more than one orientation. Referring now to FIG. 45, for example, the staple cartridge 2100 can be positioned within the staple cartridge channel 2130 such that the first end 2105 of the staple cartridge 2100 can be positioned in the proximal end 2136 of the staple cartridge channel 2130 and the second end 2106 can be positioned in the distal end 2135. Optionally, as a result, the shorter height of the staple cartridge 2100 can be positioned proximate the distal retention wall 2137 and the taller height of the staple cartridge 2100 can be positioned proximate to the proximal retention wall 2138. For example, the staple cartridge 2100 can be suitably arranged to apply a constant, or at least substantially constant, clamping pressure to tissue T having a thicker portion within the distal end of the end effector and a thinner portion within the proximal end of the end effector. The staple cartridge 2100, for example, can be selectively oriented within the staple cartridge channel 2130. For example, the alignment and/or retention features of the staple cartridge 2100 can be symmetrical and a surgeon can selectively orient the staple cartridge 2100 within the staple cartridge channel 2130 in the orientations depicted in FIG. 43 and FIG. 45, for example.

[0619] Further to the above, the implantable cartridge body 2110 can comprise a longitudinal axis 2109 which, when the staple cartridge 2100 is positioned in the staple cartridge channel 2130, can extend between the proximal and distal ends of the end effector. The thickness of the

END6843WOPCT3

cartridge body 2110 can generally decrease and/or generally increase between the first end 2105 and the second end 2106 along the longitudinal axis 2109. For example, the distance, or height, between the bottom surface 2118 and the tissue-contacting surface 2119 can generally decrease and/or generally increase between the first end 2105 and the second end 2106. The thickness of the cartridge body 2110 can both increase and decrease along the longitudinal axis 2109. For example, the thickness of the cartridge body 2110 can comprise one or more portions which increase in thickness and one or more portions which can decrease in thickness. The staple cartridge 2100 can comprise a plurality of staples 2120 positioned therein. In use, as described above, the staples 2120 can be deformed when the anvil 2140 is moved into a closed position. Each staple 2120 can have the same, or at least substantially the same, height. For example, the height of a staple can be measured from the bottom of the base of the staple to the top, or tip, of the tallest leg of the staple, for example.

[0620] The staples within a staple cartridge can have different staple heights. For example, a staple cartridge can comprise a first group of staples having a first staple height which are positioned in a first portion of a compressible cartridge body and a second group of staples having a second staple height which are positioned in a second portion of the compressible cartridge body. The first staple height can be taller than the second staple height and the first group of staples can be positioned in the first end 2105 of the staple cartridge 2100 while the second group of staples can be positioned in the second end 2106. Alternatively, the taller first group of staples can be positioned in the second end 2106 of the staple cartridge 2100 while the shorter second group of staples can be positioned in the first end 2105. A plurality of staple groups, each group having a different staple height, can be utilized. For example, a third group having an intermediate staple height can be positioned in the cartridge body 2110 intermediate the first group of staples and the second group of staples. Optionally, each staple within a staple row in the staple cartridge can comprise a different staple height. The tallest staple within a staple row can be positioned on a first end of a staple row and the shortest staple can be positioned on an opposite end of the staple row. For example, the staples positioned intermediate the tallest staple and the shortest staple can be arranged such that the staple heights descend between the tallest staple and the shortest staple, for example.

[0621] Referring now to FIG. 46, an end effector of a surgical stapler can comprise an anvil 2240, a staple cartridge channel 2230, and a staple cartridge 2200 supported by the staple

END6843WOPCT3

cartridge channel 2230. The staple cartridge 2200 can comprise a compressible, implantable cartridge body 2210 and a plurality of staples, such as staples 2220a and staples 2220b, for example, positioned therein. The staple cartridge channel 2230 can comprise a cartridge support surface 2231 and a plurality of staple support slots, such as support slots 2232a and 2232b, for example, defined therein. For example, the staple cartridge 2200 can comprise two outer rows of staples 2220a and two inner rows of staples 2220b, wherein the support slots 2232a can be configured to support the staples 2220a and the support slots 2232b can be configured to support the staples 2220b. Referring to FIGS. 46 and 47, the anvil 2240 can comprise a plurality of staple forming pockets 2242 defined therein which can be configured to receive and deform the staples 2220a and 2220b when the anvil 2240 is moved toward the staple cartridge 2200. For example, the bottom surfaces of the support slots 2232a can be a first distance 2201a away from the top surfaces of the staple forming pockets 2242 while the bottom surfaces of the support slots 2232b can be a second distance 2201b away from the top surfaces of the staple forming pockets 2242. For example, the support slots 2232b are positioned closer to the anvil 2240 owing to the raised step in the support surface 2231 in which they are defined. Owing to the different distances 2201a and 2201b, the outer rows of staples 2220a and the inner rows of staples 2220b can be deformed to different formed heights. In various circumstances, staples deformed to different formed heights can apply different clamping pressures or forces to the tissue T being stapled. In addition to the above, the staples can begin with different unformed staple heights. For example, referring again to FIG. 46, the outer staples 2220a can have an initial, unformed height which is greater than the initial, unformed height of the inner staples 2220b. As illustrated in FIGS. 46 and 47, the inner staples 2220b, which have a shorter unformed height than the outer staples 2220a, can also have a shorter formed height than the outer staples 2220b. Alternatively, the inner staples 2220b may have a taller unformed height than the outer staples 2220a yet have a shorter deformed staple height than the outer staples 2220a.

[0622] Further to the above, the anvil 2240 can be moved into a closed position, as illustrated in FIG. 47, in order to compress the cartridge body 2210 and deform the staples 2220a and 2220b. A surgical stapler comprising the end effector depicted in FIGS 46 and 47, for example, can further comprise a cutting member which can be configured to transect the tissue T positioned intermediate the anvil 2240 and the staple cartridge 2200. For example, the anvil 2240, the staple cartridge channel 2230 and/or the staple cartridge 2200 can define a slot configured to slidably

END6843WOPCT3

receive a cutting member therein. More particularly, the anvil 2240 can comprise a slot portion 2249, the staple cartridge channel 2230 can comprise a slot portion 2239, and the staple cartridge 2200 can comprise a slot portion 2203 which can be aligned, or at least substantially aligned, with one another when the anvil 2240 is in a closed, or at least substantially closed, position. The cutting member can be moved from the proximal end of the end effector toward the distal end of the end effector after the anvil 2240 has been closed and the staples 2220a, 2220b have been deformed. The cutting member can be moved independently of the staple deformation process. The cutting member can be advanced at the same time that the staples are being deformed. In any event, the cutting member can be configured to incise the tissue along a path positioned intermediate the inner rows of staples 2220b.

[0623] Optionally, as illustrated in FIG. 47, the inner staples 2220b can be formed to a shorter height than the outer staples 2220a wherein the inner staples 2220b can apply a larger clamping pressure or force to the tissue adjacent to the cut line created by the cutting member. For example, the larger clamping pressure or force created by the inner staples 2220b can provide various therapeutic benefits such as reducing bleeding from the incised tissue T while the smaller clamping pressure created by the outer staples 2220a can provide flexibility within the stapled tissue. Referring again to FIGS. 46 and 47, the anvil 2240 can further comprise at least one piece of buttress material, such as buttress material 2260, for example, attached thereto. For example, the legs of the staples 2220a, 2220b can be configured to incise the buttress material 2260 and/or pass through apertures in the buttress material 2260 when the staple cartridge 2200 is compressed by the anvil 2240 and thereafter contact the staple forming pockets 2242 in the anvil 2240. As the legs of the staples 2220a, 2220b are being deformed, the legs can contact and/or incise the buttress material 2260 once again. The buttress material 2260 can improve the hemostasis of and/or provide strength to the tissue being stapled.

[0624] Referring again to FIGS. 46 and 47, the bottom surface of the cartridge body 2210 can comprise a stepped contour which matches, or at least substantially matches, the stepped contour of the cartridge support surface 2231. The bottom surface of the cartridge body 2210 can deform to match, or at least substantially match, the contour of the cartridge support surface 2231. Referring now to FIG. 48, an end effector, similar to the end effector depicted in FIG. 46, for example, can comprise a staple cartridge 2300 positioned therein. The staple cartridge 2300 can comprise a compressible, implantable body 2310 comprising an inner layer 2312 and an outer

END6843WOPCT3

layer 2311 wherein, further to the above, the outer layer 2311 can be comprised of a water impermeable material. The outer layer 2311 can extend around the staples 2220a, 2220b and can be positioned intermediate the staples 2220a, 2220b and the support slots 2232a, 2232b, respectively. Referring now to FIG. 49, an end effector, similar to the end effector depicted in FIG. 46, for example, can comprise a staple cartridge 2400 positioned therein. Similar to the staple cartridge 2300, the compressible, implantable cartridge body 2410 of staple cartridge 2400 can comprise an inner layer 2412 and an outer layer 2411; however; The cartridge body 2410 may not comprise a cutting member slot therein. For example, the cutting member may be required to incise the inner layer 2412 and/or the outer layer 2411, for example, as it is advanced through the staple cartridge.

[0625] Referring now to FIG. 50, an end effector of a surgical stapler can comprise an anvil 2540, a staple cartridge channel 2530, and a staple cartridge 2500 positioned in the staple cartridge channel 2530. Similar to the above, the staple cartridge 2500 can comprise a compressible, implantable cartridge body 2510, outer rows of staples 2220a, and inner rows of staples 2220b. The staple cartridge channel 2530 can comprise a flat, or an at least substantially flat, cartridge support surface 2531 and staple support slots 2532 defined therein. The anvil 2540 can comprise a stepped surface 2541 and a plurality of staple forming pockets, such as forming pockets 2542a and 2542b, for example, defined therein. Similar to the above, the forming pockets 2542a and the support slots 2532 can define a distance therebetween which is greater than the distance between the forming pockets 2542b and the support slots 2532. The anvil 2540 can further comprise a piece of buttress material 2560 attached to the stepped surface 2541 of the anvil 2540. For example, the buttress material 2560 can conform, or at least substantially conform, to the stepped surface 2541. The buttress material 2560 can be removably attached to the surface 2541 by at least one adhesive, such as fibrin and/or protein hydrogel, for example. The cartridge body 2510 can also comprise a stepped profile which, for example, parallels, or at least substantially parallels, the stepped surface 2541 of the anvil 2540. More particularly, the anvil 2540 can comprise steps 2548 extending toward the staple cartridge 2500 wherein the steps 2548 can comprise a step height which equals, or at least substantially equals, the step height of the steps 2508 extending from the cartridge body 2510. For example, as a result of the above, the amount of the compressible cartridge body 2510 that can be captured in the first staples 2220a

END6843WOPCT3

can be different than the amount of the compressible cartridge body 2510 that can be captured in the second staples 2220b, for example.

[0626] Referring now to FIG. 51, an end effector can comprise an anvil 2640, a staple cartridge channel 2530, and a staple cartridge 2600 positioned therebetween. The staple cartridge 2600 can comprise a compressible, implantable cartridge body 2610 including an inner layer 2612, an outer layer 2611, and a plurality of staples, such as staples 2220a and 2200b, for example, positioned therein. The anvil 2640 can comprise a plurality of staple forming pockets 2642 in surface 2641 and the staple cartridge channel 2530 can comprise a plurality of staple forming slots 2532 defined in the support surface 2531. As illustrated in FIG. 51, the anvil surface 2641 can be parallel, or at least substantially parallel, to the cartridge support surface 2531 wherein each forming pocket 2642 can be positioned an equal, or at least substantially equal, distance away from an opposing and corresponding staple support slot 2532. The staple cartridge 2600 can comprise staples having the same, or at least substantially the same, initial, unformed staple height and, in addition, the same, or at least substantially the same, formed staple height. The outer rows of staples can comprise staples 2220a and the inner rows of staples can comprise staples 2220b wherein, as discussed above, the staples 2220a and 2220b can have different unformed staple heights. When the anvil 2640 is moved toward the staple cartridge 2600 into a closed position, the staples 2220a and 2220b can be formed such that they have the same, or at least substantially the same, formed staple height. For example, as a result of the above, the formed outer staples 2220a and the inner staples 2220b may have the same, or at least substantially the same, amount of compressible cartridge body 2610 contained therein; however, as the outer staples 2220a have a taller unformed staple height than the inner staples 2220b and may have the same formed staple height nonetheless, a greater clamping pressure can be generated in the outer staples 2220a than the inner staples 2220b, for example.

[0627] Referring now to FIG. 52, an end effector of a surgical stapler can comprise an anvil 2740, a staple cartridge channel 2530, and a staple cartridge 2700 positioned within the staple cartridge channel 2530. Similar to the above, the staple cartridge 2700 can comprise a compressible, implantable cartridge body 2710 comprising an inner layer 2712, an outer layer 2711, and a plurality of staples, such as staples 2220a and 2220b, for example, positioned therein. The thickness of the cartridge body 2710 can vary across its width. For example, the cartridge body 2710 can comprise a center portion 2708 and side portions 2709, wherein the

END6843WOPCT3

center portion 2708 can comprise a thickness which is greater than the thickness of the side portions 2709. The thickest portion of the cartridge body 2710 can be located at the center portion 2708 while the thinnest portion of the cartridge body 2710 can be located at the side portions 2709. For example, the thickness of the cartridge body 2710 can decrease gradually between the center portion 2708 and the side portions 2709. The thickness of the cartridge body 2710 can decrease linearly and/or geometrically between the center portion 2708 and the side portions 2709. For example, the tissue-contacting surface 2719 of cartridge body 2710 can comprise two inclined, or angled, surfaces which slope downwardly from the center portion 2708 toward the side portions 2709. The anvil 2740 can comprise two inclined, or angled, surfaces which parallel, or at least substantially parallel, the inclined tissue-contacting surfaces 2719. The anvil 2740 can further comprise at least one piece of buttress material 2760 attached to the inclined surfaces of the anvil 2740.

[0628] Further to the above, the inner rows of staples in the staple cartridge 2700 can comprise the taller staples 2220a and the outer rows of staples can comprise the shorter staples 2220b. The taller staples 2220a can be positioned within and/or adjacent to the thicker center portion 2708 while the staples 2220b can be positioned within and/or adjacent to the side portions 2709. For example, as a result of the above, the taller staples 2220a can capture more material of the implantable cartridge body 2710 than the shorter staples 2220b. Such circumstances could result in the staples 2220a applying a greater clamping pressure to the tissue T than the staples 2220b. Even though the taller staples 2220a may capture more material of the cartridge body 2710 therein than the shorter staples 2220b, the taller staples 2220a may have a taller formed staple height than the shorter staples 2220b owing to the inclined arrangement of the staple forming pockets 2742a and 2742b. Such considerations can be utilized to achieve a desired clamping pressure within the tissue captured by the staples 2220a and 2220b wherein, as a result, the clamping pressure in the staples 2220a can be greater than, less than, or equal to the clamping pressure applied to the tissue by the staples 2220b, for example. As an alternative to the end effector illustrated in FIG. 52, the shorter staples 2220b can be positioned within and/or adjacent to the thicker center portion 2708 of the cartridge body 2710 and the taller staples 2220a can be positioned within and/or adjacent to the thinner side portions 2709. Furthermore, although the staple cartridge 2700 is depicted as comprising inner and outer rows of staples, the staple cartridge 2700 may comprise additional rows of staples, such as staple rows positioned

END6843WOPCT3

intermediate the inner and outer rows of staples, for example. For example, the intermediate staple rows can comprise staples having an unformed staple height which is intermediate the unformed staple heights of the staples 2220a and 2220b and a formed staple height which is intermediate the formed staple heights of the staples 2220a and 2220b, for example.

[0629] Referring now to FIG. 53, an end effector of a surgical stapler can comprise an anvil 2840, a staple cartridge channel 2530, and a staple cartridge 2800 positioned within the staple cartridge channel 2530. Similar to the above, the staple cartridge 2800 can comprise a compressible, implantable cartridge body 2810 comprising an inner layer 2812, an outer layer 2811, and a plurality of staples, such as staples 2220a and 2220b, for example, positioned therein. The thickness of the cartridge body 2810 can vary across its width. For example, the cartridge body 2810 can comprise a center portion 2808 and side portions 2809, wherein the center portion 2808 can comprise a thickness which is less than the thickness of the side portions 2809. The thinnest portion of the cartridge body 2810 can be located at the center portion 2808 while the thickest portion of the cartridge body 2810 can be located at the side portions 2809. For example, the thickness of the cartridge body 2810 can increase gradually between the center portion 2808 and the side portions 2809. The thickness of the cartridge body 2810 can increase linearly and/or geometrically between the center portion 2808 and the side portions 2809. For example, the tissue-contacting surface 2819 of cartridge body 2810 can comprise two inclined, or angled, surfaces which slope upwardly from the center portion 2808 toward the side portions 2809. The anvil 2840 can comprise two inclined, or angled, surfaces which parallel, or at least substantially parallel, the inclined tissue-contacting surfaces 2819. The anvil 2840 can further comprise at least one piece of buttress material 2860 attached to the inclined surfaces of the anvil 2840. Further to the above, the outer rows of staples in the staple cartridge 2800 can comprise the taller staples 2220a and the inner rows of staples can comprise the shorter staples 2220b. The taller staples 2220a can be positioned within and/or adjacent to the thicker side portions 2809 while the staples 2220b can be positioned within and/or adjacent to the center portion 2808. For example, as a result of the above, the taller staples 2220a can capture more material of the implantable cartridge body 2810 than the shorter staples 2220b.

[0630] As described above with regard to FIG. 46, for example, the staple cartridge channel 2230 can comprise a stepped support surface 2231 which can be configured to support the staples 2220a and 2220b at different heights with respect the anvil 2240. The staple cartridge channel

END6843WOPCT3

2230 can be comprised of metal and the steps in the support surface 2231 may be formed in the support surface 2231 by a grinding operation, for example. Referring now to FIG. 54, an end effector of a surgical instrument can comprise a staple cartridge channel 2930 comprising a support insert 2935 positioned therein. More particularly, the staple cartridge channel 2930 can be formed such that it has a flat, or at least substantially flat, support surface 2931, for example, which can be configured to support the insert 2935 which comprises the stepped surfaces for supporting the staples 2220a and 2220b of the staple cartridge 2200 at different heights. For example, the insert 2935 can comprise a flat, or at least substantially flat, bottom surface which can be positioned against the support surface 2931. The insert 2935 can further comprise support slots, grooves, or troughs 2932a and 2932b which can be configured to support the staples 2220a and 2220b, respectively, at different heights. Similar to the above, the insert 2935 can comprise a knife slot 2939 defined therein which can be configured to permit a cutting member to pass therethrough. The staple cartridge channel 2930 can be comprised of the same material as or a different material than the support insert 2935. The staple cartridge channel 2930 and the support insert 2935 can both be comprised of metal, for example, while, alternatively, the staple cartridge channel 2930 can be comprised of metal, for example, and the support insert 2935 can be comprised of plastic, for example. The support insert 2935 can be fastened and/or welded into the staple cartridge channel 2930. The support insert 2935 can be snap-fit and/or press-fit into the staple cartridge channel 2930. The support insert 2935 can be secured in the staple cartridge channel 2930 using an adhesive.

[0631] Referring now to FIG. 55, an end effector of a surgical stapler can comprise an anvil 3040, a staple cartridge channel 3030, and a compressible, implantable staple cartridge 3000 positioned in the staple cartridge channel 3030. Similar to the above, the anvil 3040 can comprise a plurality of staple-forming pockets 3042 defined therein and a knife slot 3049 which can be configured to slidably receive a cutting member therein. Also similar to the above, the staple cartridge channel 3030 can comprise a plurality of staple support slots 3032 defined therein and a knife slot 3039 which can also be configured to slidably receive a cutting member therein. The staple cartridge 3000 can comprise a first layer 3011, a second layer 3012, and a plurality of staples, such as staples 3020a and 3020b, for example, positioned therein. The staples 3020a can comprise an unformed staple height which is taller than the unformed staple height of the staples 3020b. The first layer 3011 can be comprised of a first compressible material and the

END6843WOPCT3

second layer 3012 can be comprised of a second compressible material. The first compressible material can be compressed at a rate which is higher than the second compressible material while, the first compressible material can be compressed at a rate which is lower than the second compressible material. The first compressible material can be comprised of a resilient material which can comprise a first spring rate and the second compressible material can be comprised of a resilient material which can comprise a second spring rate which is different than the first spring rate. The first compressible material can comprise a spring rate which is greater than the spring rate of the second compressible material. The first compressible material can comprise a spring rate which is less than the spring rate of the second compressible material. The first compressible layer can comprise a first stiffness and the second compressible layer can comprise a second stiffness, wherein the first stiffness is different than the second stiffness. The first compressible layer can comprise a stiffness which is greater than the stiffness of the second compressible layer. The first compressible layer can comprise a stiffness which is less than the stiffness of the second compressible layer.

[0632] Referring again to FIG. 55, the second layer 3012 of the staple cartridge 3000 can comprise a constant, or at least substantially constant, thickness across the width thereof. The first layer 3011 can comprise a thickness which varies across the width thereof. For example, the first layer 3011 can comprise one or more steps 3008 which can increase the thickness of the cartridge body 3010 in certain portions of the cartridge body 3010, such as the center portion, for example. Referring again to FIG. 55, the shorter staples 3020b can be positioned in or aligned with the steps 3008, i.e., the thicker portions of the cartridge body 3010, and the taller staples 3020a can be positioned in or aligned with the thinner portions of the cartridge body 3010. Optionally, as a result of the thicker and thinner portions of the cartridge body 3010, the stiffness of the cartridge body 3010 can be greater along the inner rows of staples 3020b than the outer rows of staples 3020a. The first layer 3011 can be connected to the second layer 3012. For example, the first layer 3011 and the second layer 3012 can comprise interlocking features which can retain the layers 3011 and 3012 together. The first layer 3011 can comprise a first laminate and the second layer 3012 can comprise a second laminate, wherein the first laminate can be adhered to the second laminate by one or more adhesives. The staple cartridge 3000 can comprise a knife slot 3003 which can be configured to slidably receive a cutting member therein.

END6843WOPCT3

[0633] Referring now to FIG. 56, a staple cartridge 3100 can comprise a compressible, implantable cartridge body 3110 comprising a single layer of compressible material and, in addition, a plurality of staples, such as staples 3020b, for example, positioned therein. The thickness of the cartridge body 3110 can vary across the width thereof. For example, the cartridge body 3110 can comprise steps 3108 extending along the side portions thereof. Referring now to FIG. 57, a staple cartridge 3200 can comprise a compressible, implantable cartridge body 3210 comprising a single layer of compressible material and, in addition, a plurality of staples, such as staples 3020b, for example, positioned therein. The thickness of the cartridge body 3210 can vary across the width thereof. For example, the cartridge body 3210 can comprise steps 3208 extending along the center portion thereof. Referring now to FIG. 58, a staple cartridge 3300 can comprise a compressible, implantable cartridge body 3310 wherein, similar to the above, the thickness of the cartridge body 3310 can vary across the width thereof. The thickness of the cartridge body 3310 can increase geometrically between the side portions and the center portion of the cartridge body 3310. For example, the thickness of the cartridge body 3310 can be defined by an arcuate or curved profile and can comprise an arcuate or curved tissue-contacting surface 3319. The thickness of the cartridge body 3310, and the contour of the tissue-contacting surface 3319, can be defined by one radius of curvature or, alternatively, by several radiuses of curvature, for example. Referring now to FIG. 59, a staple cartridge 3400 can comprise a compressible, implantable cartridge body 3410 wherein the thickness of the cartridge body 3410 can increase linearly, or at least substantially linearly, between the side portions and the center portion of the cartridge body 3410.

[0634] Referring now to FIG. 60, a staple cartridge 3500 can comprise a compressible, implantable cartridge body 3510 and a plurality of staples 3520 positioned therein. The implantable cartridge body 3510 can comprise a first inner layer 3512, a second inner layer 3513, and an outer layer 3511. The first inner layer 3512 can comprise a first thickness and the second inner layer 3513 can comprise a second thickness wherein the second inner layer 3513 can be thicker than the first inner layer 3512. Alternatively, the first inner layer 3512 can be thicker than the second inner layer 3513. As a further alternative, the first inner layer 3512 can have the same, or at least substantially the same, thickness as the second inner layer 3513. Each staple 3520 can comprise a base 3522 and one or more deformable legs 3521 extending from the base 3522. Optionally, each leg 3521 can comprise a tip 3523 which is embedded in the first inner layer

END6843WOPCT3

3511 and, in addition, each base 3522 of the staples 3520 can be embedded in the second inner layer 3512. The first inner layer 3512 and/or the second inner layer 3513 can comprise at least one medicament stored therein and, the outer layer 3511 can encapsulate and seal the first inner layer 3512 and the second inner layer 3513 such that the medicament does not flow out of the staple cartridge body 3510 until after the outer layer 3511 has been punctured by the staples 3520. More particularly, further to the above, an anvil can be pushed downwardly against tissue positioned against the tissue-contacting surface 3519 of staple cartridge 3500 such that the cartridge body 3510 is compressed and the surface 3519 is moved downwardly toward, and at least partially below, the staple tips 3523 such that the tips 3523 rupture or puncture the outer layer 3511. After the outer layer 3511 has been breached by the staple legs 3521, the at least one medicament M can flow out of the cartridge body 3510 around the staple legs 3521. In various circumstances, additional compression of the cartridge body 3510 can squeeze additional medicament M out of the cartridge body 3510 as illustrated in FIG. 61.

[0635] Referring again to FIG. 60, the outer layer 3511 can comprise a water impermeable, or at least substantially impermeable, wrap which can be configured to, one, keep the medicament from prematurely flowing out of the staple cartridge 3500 and, two, prevent fluids within a surgical site, for example, from prematurely entering into the staple cartridge 3500. The first inner layer 3512 can comprise a first medicament stored, or absorbed, therein and the second inner layer 3513 can comprise a second medicament stored, or absorbed, therein, wherein the second medicament can be different than the first medicament. An initial compression of the cartridge body 3510, which causes the rupture of the outer layer 3511, can generally express the first medicament out of the first inner layer 3512 and a subsequent compression of the cartridge body 3510 can generally express the second medicament out of the second inner layer 3513. In such cases, however, portions of the first medicament and the second medicament may be expressed simultaneously although a majority of the medicament that is initially expressed can be comprised of the first medicament and a majority of the medicament subsequently expressed thereafter can be comprised of the second medicament. Further to the above, the first inner layer 3512 can be comprised of a more compressible material than the second inner layer 3513 such that the initial compression forces or pressure, which can be lower than the subsequent compression forces or pressure, can cause a larger initial deflection within the first inner layer 3512 than the second inner layer 3513. This larger initial deflection within the first inner layer

END6843WOPCT3

3512 can cause a larger portion of the first medicament to be expressed from the first inner layer 3512 than the second medicament from the second inner layer 3513. The first inner layer 3512 can be more porous and/or more flexible than the second inner layer 3513. For example, the first inner layer 3512 can comprise a plurality of pores, or voids, 3508 defined therein and the second inner layer 3513 can comprise a plurality of pores, or voids, 3509 defined therein wherein, the pores 3508 can be configured to store the first medicament in the first inner layer 3512 and the pores 3509 can be configured to store the second medicament in the second inner layer 3513. The size and density of the pores 3508 within the first inner layer 3512 and the pores 3509 within the second inner layer 3513 can be selected so as to provide a desired result described herein.

[0636] Referring again to FIGS. 60 and 61, the outer layer 3511, the first inner layer 3512, and/or the second inner layer 3513 can be comprised of a bioabsorbable material. The first inner layer 3512 can be comprised of a first bioabsorbable material, the second inner layer 3513 can be comprised of a second bioabsorbable material, and the outer layer 3511 can be comprised of a third bioabsorbable material, wherein the first bioabsorbable material, the second bioabsorbable material, and/or the third bioabsorbable material can be comprised of different materials. The first bioabsorbable material can be bioabsorbed at a first rate, the second bioabsorbable material can be bioabsorbed at a second rate, and the third bioabsorbable material can be bioabsorbed at a third rate, wherein the first rate, the second rate, and/or the third rate can be different. For example, when a material is bioabsorbed at a particular rate, such a rate can be defined as the amount of material mass that is absorbed by a patient's body over a unit of time. As it is known, the bodies of different patients may absorb different materials at different rates and, thus, such rates may be expressed as average rates in order to account for such variability. In any event, a faster rate may be a rate in which more mass is bioabsorbed for a unit of time than a slower rate. Referring again to FIGS. 60 and 61, the first inner layer 3512 and/or the second inner layer 3513 can be comprised of a material which bioabsorbs faster than the material comprising the outer layer 3511. For example, the first inner layer 3512 and/or the second inner layer 3513 can be comprised of a bioabsorbable foam, tissue sealant, and/or hemostatic material, such as oxidized regenerated cellulose (ORC), for example, and the outer layer 3511 can be comprised of a buttress material and/or plastic material, such as polyglycolic acid (PGA) which is marketed under the trade name Vicryl, polylactic acid (PLA or PLLA), polydioxanone (PDS), polyhydroxyalkanoate (PHA), poliglecaprone 25 (PGCL) which is marketed under the trade

END6843WOPCT3

name Monocryl, polycaprolactone (PCL), and/or a composite of PGA, PLA, PDS, PHA, PGCL and/or PCL, for example. In such cases, the first inner layer 3512 and/or the second inner layer 3513 can immediately treat the tissue and can reduce bleeding from the tissue, for example, wherein the outer layer 3514 can provide longer-term structural support and can be bioabsorbed at a slower rate.

[0637] Owing to the slower rate of bioabsorbability of the outer layer 3511, further to the above, the outer layer 3511 can buttress or structurally reinforce the tissue within the staple line as it heals. One of the first inner layer 3512 and the second inner layer 3513 can be comprised of a material which can be bioabsorbed faster than the other such that, one of the layers can provide an initial release of a therapeutic material and the other layer can provide a sustained release of the same therapeutic material and/or a different therapeutic material. For example, the rate in which a therapeutic material can be released from a layer 3512, 3513 can be a function of the bioabsorbability of the substrate layer in which the medicament is absorbed or dispersed. For example, the substrate comprising the first inner layer 3512 can be bioabsorbed faster than the substrate comprising the second inner layer 3513 and, as a result, a medicament can be release from the first inner layer 3512 faster than the second inner layer 3513, for example. Optionally, as described herein, one or more of the layers 3511, 3512, and 3513 of the cartridge body 3510 can be adhered to one another by at least one adhesive, such as fibrin and/or protein hydrogel, for example. The adhesive can be water soluble and can be configured to release the connection between the layers as the staple cartridge 3500 is being implanted and/or some time thereafter. For example, the adhesive can be configured to bioabsorb faster than the outer layer 3511, the first inner layer 3512, and/or the second inner layer 3513.

[0638] Referring now to FIGS. 62 and 63, a staple cartridge, such as staple cartridge 3600, for example, can comprise a cartridge body 3610 including a compressible first layer 3611, a second layer 3612 attached to the first layer 3611, and a removable compressible layer 3613 attached to the second layer 3612. For example, the first layer 3611 can be comprised of a compressible foam material, the second layer 3612 can comprise a laminate material adhered to the first layer 3611 utilizing one or more adhesives, and the third layer 3613 can comprise a compressible foam material removably adhered to the second layer 3612 utilizing one or more adhesives, for example. The staple cartridge 3600 can further comprise a plurality of staples, such as staples 3620, for example, positioned in the cartridge body 3610. For example, each staple 3620 can

END6843WOPCT3

comprise a base 3622 positioned in the third layer 3613 and one or more deformable legs 3621 extending upwardly from the base 3622 through the second layer 3612 and into the first layer 3611, for example. In use, further to the above, the top surface 3619 of the staple cartridge body 3610 can be pushed downwardly by an anvil until the staple legs 3621 penetrate through the top surface 3619 and the targeted tissue and contact the anvil. After the staple legs 3621 have been sufficiently deformed, the anvil can be moved away from the staple cartridge 3600 such that the compressible layers thereof can at least partially re-expand. In various circumstances, the insertion of the staples through the tissue can cause the tissue to bleed. The third layer 3613 can be comprised of an absorbent material, such as protein hydrogel, for example, which can draw blood away from the stapled tissue. In addition to or in lieu of the above, the third layer 3613 can be comprised of a hemostatic material and/or tissue sealant, such as freeze-dried thrombin and/or fibrin, for example, which can be configured to reduce the bleeding from the tissue. The third layer 3613 may provide a structural support to the first layer 3611 and the second layer 3612 wherein the third layer 3613 may be comprised of a bioabsorbable material and/or a non-bioabsorbable material. In any event, the third layer 3613 can be detached from the second layer 3612 after the staple cartridge 3610 has been implanted. Where the third layer 3613 comprises an implantable-quality material, the surgeon can elect whether to remove the third layer 3613 of the cartridge body 3610. The third layer 3613 can be configured to be removed from the second layer 3612 in one piece.

[0639] The first layer 3611 can be comprised of a first foam material and the third layer 3613 can be comprised of a second foam material which can be different than the first foam material. The first foam material can have a first density and the second foam material can have a second density wherein the first density can be different than the second density. For example, the second density can be higher than the first density wherein, as a result, the third layer 3613 may be less compressible, or have a lower compression rate, than the first layer 3611. Alternatively, the first density can be higher than the second density wherein, as a result, the first layer 3611 may be less compressible, or have a lower compression rate, than the third layer 3613. Referring now to FIGS. 64 and 65, a staple cartridge 3700, similar to the staple cartridge 3600, can comprise a cartridge body 3710 comprising a first compressible foam layer 3711, a second layer 3712 attached to the first layer 3711, and a detachable third compressible foam layer 3713 removably attached to the second layer 3712. For example, the third layer 3713 can comprise a

END6843WOPCT3

plurality of staple receiving slots, or cut-outs, 3709 which can each be configured to receive at least a portion of a staple 3620, such as a staple base 3622, for example, therein. The staples 3620 can be configured to slide within the staple receiving slots 3709 or, stated another way, the third layer 3713 can be configured to slide relative to the staples 3620 when the staple cartridge 3700 is positioned against the targeted tissue and compressed by an anvil, for example. The receiving slots 3709 can be configured such that there is clearance between the staples 3620 and the side walls of the receiving slots 3709. For example, as a result of the above, the staples 3620 may not capture a portion of the third layer 3713 therein when the staples 3620 are deformed, as illustrated in FIGS. 64 and 65. The ends of the staple receiving slots 3709 adjacent to the second layer 3712 can be closed by a portion of the third layer 3713 and, as a result, at least a portion of the third layer 3713 can be captured within the staples 3620 when they are deformed. In any event, the third layer 3713 can comprise one or more perforations and/or score marks 3708, for example, which can be configured to permit the third layer 3713 to be removed from the second layer 3712 in two or more pieces as illustrated in FIG. 64. In FIG. 64, one of the pieces of the third layer 3713 is illustrated as being removed by a tool 3755. The perforations 3708 can be arranged along a line positioned intermediate a first row of staples and a second row of staples. [0640] Referring again to FIGS. 64 and 65, the bases 3622 of the staples 3620 can be positioned within the receiving slots 3709 wherein, the side walls of the receiving slots 3709 can be configured to contact and releasably retain the staple legs 3621 in position. Although not illustrated, the third layer 3713 can comprise an elongated slot surrounding all of the staples within a staple line. For example, a staple cartridge comprising four staple rows, for example, can comprise an elongate slot aligned with each staple row in the bottom layer of the staple cartridge. Further to the above, at least a portion of the staple cartridge 3600 and/or the staple cartridge 3700 can be implanted within a patient and at least a portion of the staple cartridge can be removable from the patient. Referring again to FIGS. 64 and 65, the first layer 3711 and the second layer 3712 can be captured within the staples 3620 and can be implanted with the staples 3620, whereas the third layer 3713 can be optionally removed or detached from the staple cartridge 3700. In various circumstances, the removal of a portion of the implanted staple cartridge can reduce the amount of material that the patient's body has to reabsorb which can provide various therapeutic benefits. In the event that a portion of a staple cartridge is detached and removed, such as by a laparoscopic tool 3755, for example, the detached staple cartridge

END6843WOPCT3

portion can be removed from the surgical site through a trocar, such as a trocar having a 5 mm aperture, for example. A cartridge body can comprise more than one layer that can be removed. For example, the cartridge body 3710 can comprise a fourth layer wherein the third layer of 3713 of the cartridge body 3710 can be comprised of a hemostatic material and the fourth layer can be comprised of a support layer. For example, a surgeon can remove the support layer and then elect whether to remove the hemostatic layer, for example.

[0641] Referring now to FIG. 66, a staple cartridge, such as staple cartridge 3800, for example, can comprise a cartridge body 3810 including an outer layer 3811 and an inner layer 3812. The inner layer 3812 can be comprised of a compressible foam material and the outer layer 3811 can be at least partially wrapped around the inner layer 3812. The outer layer 3811 can comprise a first portion 3811a configured to be positioned on a first side of the inner layer 3812 and a second portion 3811b configured to be positioned on a second side of the inner layer 3812 wherein the first portion 3811a and the second portion 3811b can be connected by a flexible hinge, such as hinge 3809, for example. For example, at least one adhesive, such as fibrin and/or protein hydrogel, for example, can be applied to the first side and/or the second side of the inner layer 3812 in order to secure the portions of the outer layer 3811 thereto. The outer layer 3811 can comprise one or more fastening members extending therefrom. For example, the outer layer 3811 can comprise a plurality of deformable legs 3821 extending from one side of the outer layer 3811 which can be seated in the compressible inner layer 3812. For example, the legs 3821 may not protrude from the second side of the inner layer 3812 while, alternatively, the legs 3821 may at least partially protrude from the inner layer 3812. When the compressible cartridge body 3810 is compressed, in use, the legs 3821 can be configured to pierce the inner layer 3812 and the second portion 3811b of the outer layer 3811. The second portion 3811b of the outer layer 3811 can comprise apertures, such as apertures 3808, for example defined therein which can be configured to receive the staple legs 3821. At least portions of the staple cartridge 3800 can comprise a knife slot 3803 which can be configured to slidably receive a cutting member therein. For example, the knife slot 3803 may not extend entirely through the thickness of the cartridge body 3810 and, as a result, the cutting member may incise the cartridge body 3810 as it is moved relative thereto.

[0642] Referring now to FIG. 67, a staple cartridge 3900 can comprise, similar to staple cartridge 3800, a cartridge body 3910 including an inner layer 3812 and an outer layer 3811, wherein the

END6843WOPCT3

outer layer 3811 can comprise a first portion 3811a positioned adjacent to the first side of the inner layer 3812 and a second portion 3811b positioned adjacent to the second side of the inner layer 3812. Similar to the above, the outer layer 3811 can comprise one or more fastening members extending therefrom. For example, the outer layer 3811 can comprise a plurality of deformable legs 3921 extending from one side of the outer layer 3811 which can be seated in the compressible inner layer 3812. Each deformable leg 3921 can comprise at least one hook or barb 3923 protruding therefrom which can be configured to engage the second portion 3811b of the outer layer 3811 and, as a result, retain the outer layer 3811 to the inner layer 3812. For example, the barbs 3923 can be configured to protrude from the second side of the inner layer 3812 and extend through the apertures 3808 in the second portion 3811b of the outer layer 3811 such that the barbs 3923 can engage the outside surface of the outer layer 3811 and lock the outer layer 3811 to the inner layer 3812. In order to construct the staple cartridge 3900, the inner layer 3812 may be at least partially compressed in order to cause the barbs to protrude therefrom and enter into the apertures 3808. For example, the staple cartridge 3900 can be at least partially pre-compressed when it is inserted into a staple cartridge, for example. Further to the above, at least a portion of the legs 3921 can be embedded within the first portion 3811a of the outer layer 3811 wherein, the outer layer 3811 can be comprised of a plastic material, such as polydioxanone (PDS) and/or polyglycolic acid (PGA), for example, and the plastic material can be overmolded around at least a portion of the legs 3921.

[0643] Referring now to FIGS. 68-72, a staple cartridge, such as staple cartridge 4000, for example, can comprise a cartridge body 4010 including a compressible first layer 4011 and a second layer 4012 and, in addition, a plurality of staples 4020 positioned within the cartridge body 4010. Referring to FIG. 70, each staple 4020 can comprise a base 4022 and at least one deformable leg 4023 extending from the base 4022. Referring to FIG. 68, the staple cartridge 4000 can be positioned between a staple cartridge channel 4030 and an anvil 4040 of an end effector of a surgical stapler wherein the second layer 4012 of the cartridge body 4010 and/or the bases 4022 of the staples 4020 can be positioned against the staple cartridge channel 4030. Referring now to FIG. 69, the second layer 4012 can comprise a layer of pledgets 4060 interconnected to one another by a pledget support frame 4061. For example, the pledgets 4060 and the pledget support frame 4061 can be comprised of a molded plastic material, such as polyglycolic acid (PGA), for example. Each pledget 4060 can comprise one or more apertures or

END6843WOPCT3

slots 4062 which can be configured to receive a staple leg 4021 extending therethrough as illustrated in FIGS. 70 and 71. Each pledget 4060 can further comprise a receiving slot 4063 defined therein which can be configured to receive a base 4022 of a staple 4020. Referring again to FIG. 69, the pledgets 4060 and/or pledget support frame 4061 can comprise a plurality of score marks, perforations, or the like which can be configured to allow the pledgets 4060 to become detached from the pledget support frame 4061 at a desired location. Similarly, referring to FIG. 71, one or more pledgets 4060 can be connected to one another along a line comprising perforations and/or score marks 4064, for example. In use, the compressible foam layer 4011 can be positioned against the targeted tissue T and the cartridge body 4010 can be compressed by the anvil 4040 such that the anvil 4040 can deform the staples 4020. When the staples 4020 are deformed, the staple legs 4021 of each staple 4020 can capture the tissue T, a portion of the first layer 4011, and a pledget 4060 within the deformed staple. When the staple cartridge channel 4030 is moved away from the implanted staple cartridge 4060, for example, the pledget support frame 4061 can be detached from the pledgets 4060 and/or the pledgets 4060 can be detached from one another. In certain circumstances, the pledgets 4060 can be detached from the frame 4061 and/or each other when the staples 4020 are being deformed by the anvil 4040 as described above.

[0644] As described herein, the staples of a staple cartridge can be fully formed by an anvil when the anvil is moved into a closed position. Alternatively, referring now to FIGS. 73-76, the staples of a staple cartridge, such as staple cartridge 4100, for example, can be deformed by an anvil when the anvil is moved into a closed position and, in addition, by a staple driver system which moves the staples toward the closed anvil. The staple cartridge 4100 can comprise a compressible cartridge body 4110 which can be comprised of a foam material, for example, and a plurality of staples 4120 at least partially positioned within the compressible cartridge body 4110. The staple driver system can comprise a driver holder 4160, a plurality of staple drivers 4162 positioned within the driver holder 4160, and a staple cartridge pan 4180 which can be configured to retain the staple drivers 4162 in the driver holder 4160. For example, the staple drivers 4162 can be positioned within one or more slots 4163 in the driver holder 4160 wherein the sidewalls of the slots 4163 can assist in guiding the staple drivers 4162 upwardly toward the anvil. The staples 4120 can be supported within the slots 4163 by the staple drivers 4162 wherein, the staples 4120 can be entirely positioned in the slots 4163 when the staples 4120 and

END6843WOPCT3

the staple drivers 4162 are in their unfired positions. Alternatively, at least a portion of the staples 4120 can extend upwardly through the open ends 4161 of slots 4163 when the staples 4120 and staple drivers 4162 are in their unfired positions. For example, referring primarily now to FIG. 74, the bases of the staples 4120 can be positioned within the driver holder 4160 and the tips of the staples 4120 can be embedded within the compressible cartridge body 4110.

Approximately one-third of the height of the staples 4120 can be positioned within the driver holder 4160 and approximately two-thirds of the height of the staples 4120 can be positioned within the cartridge body 4110. Referring to FIG. 73A, the staple cartridge 4100 can further comprise a water impermeable wrap or membrane 4111 surrounding the cartridge body 4110 and the driver holder 4160, for example.

[0645] In use, the staple cartridge 4100 can be positioned within a staple cartridge channel, for example, and the anvil can be moved toward the staple cartridge 4100 into a closed position. The anvil can contact and compress the compressible cartridge body 4110 when the anvil is moved into its closed position. The anvil may not contact the staples 4120 when the anvil is in its closed position. The anvil may contact the legs of the staples 4120 and at least partially deform the staples 4120 when the anvil is moved into its closed position. In either event, the staple cartridge 4100 can further comprise one or more sleds 4170 which can be advanced longitudinally within the staple cartridge 4100 such that the sleds 4170 can sequentially engage the staple drivers 4162 and move the staple drivers 4162 and the staples 4120 toward the anvil. The sleds 4170 can slide between the staple cartridge pan 4180 and the staple drivers 4162. Where the closure of the anvil has started the forming process of the staples 4120, the upward movement of the staples 4120 toward the anvil can complete the forming process and deform the staples 4120 to their fully formed, or at least desired, height. Where the closure of the anvil has not deformed the staples 4120, the upward movement of the staples 4120 toward the anvil can initiate and complete the forming process and deform the staples 4120 to their fully formed, or at least desired, height. The sleds 4170 can be advanced from a proximal end of the staple cartridge 4100 to a distal end of the staple cartridge 4100 such that the staples 4120 positioned in the proximal end of the staple cartridge 4100 are fully formed before the staples 4120 positioned in the distal end of the staple cartridge 4100 are fully formed. Referring to FIG. 75, the sleds 4170 can each comprise at least one angled or inclined surface 4711 which can be configured to slide underneath the staple drivers 4162 and lift the staple drivers 4162 as illustrated in FIG. 76.

END6843WOPCT3

[0646] Further to the above, the staples 4120 can be formed in order to capture at least a portion of the tissue T and at least a portion of the compressible cartridge body 4110 of the staple cartridge 4100 therein. After the staples 4120 have been formed, the anvil and the staple cartridge channel 4130 of the surgical stapler can be moved away from the implanted staple cartridge 4100. In various circumstances, the cartridge pan 4180 can be fixedly engaged with the staple cartridge channel 4130 wherein, as a result, the cartridge pan 4180 can become detached from the compressible cartridge body 4110 as the staple cartridge channel 4130 is pulled away from the implanted cartridge body 4110. Referring again to FIG. 73, the cartridge pan 4180 can comprise opposing side walls 4181 between which the cartridge body 4110 can be removably positioned. For example, the compressible cartridge body 4110 can be compressed between the side walls 4181 such that the cartridge body 4110 can be removably retained therebetween during use and releasably disengaged from the cartridge pan 4180 as the cartridge pan 4180 is pulled away. For example, the driver holder 4160 can be connected to the cartridge pan 4180 such that the driver holder 4160, the drivers 4162, and/or the sleds 4170 can remain in the cartridge pan 4180 when the cartridge pan 4180 is removed from the surgical site. The drivers 4162 can be ejected from the driver holder 4160 and left within the surgical site. For example, the drivers 4162 can be comprised of a bioabsorbable material, such as polyglycolic acid (PGA) which is marketed under the trade name Vicryl, polylactic acid (PLA or PLLA), polydioxanone (PDS), polyhydroxyalkanoate (PHA), poliglecaprone 25 (PGCL) which is marketed under the trade name Monocryl, polycaprolactone (PCL), and/or a composite of PGA, PLA, PDS, PHA, PGCL and/or PCL, for example. The drivers 4162 can be attached to the staples 4120 such that the drivers 4162 are deployed with the staples 4120. For example, each driver 4162 can comprise a trough configured to receive the bases of the staples 4120, for example, wherein, the troughs can be configured to receive the staple bases in a press-fit and/or snap-fit manner.

[0647] Further to the above, the driver holder 4160 and/or the sleds 4170 can be ejected from the cartridge pan 4180. For example, the sleds 4170 can slide between the cartridge pan 4180 and the driver holder 4160 such that, as the sleds 4170 are advanced in order to drive the staple drivers 4162 and staples 4120 upwardly, the sleds 4170 can move the driver holder 4160 upwardly out of the cartridge pan 4180 as well. For example, the driver holder 4160 and/or the sleds 4170 can be comprised of a bioabsorbable material, such as polyglycolic acid (PGA) which is marketed under the trade name Vicryl, polylactic acid (PLA or PLLA), polydioxanone (PDS),

END6843WOPCT3

polyhydroxyalkanoate (PHA), poliglecaprone 25 (PGCL) which is marketed under the trade name Monocryl, polycaprolactone (PCL), and/or a composite of PGA, PLA, PDS, PHA, PGCL and/or PCL, for example. The sleds 4170 can be integrally formed and/or attached to a drive bar, or cutting member, which pushes the sleds 4170 through the staple cartridge 4100. In such cases, the sleds 4170 may not be ejected from the cartridge pan 4180 and may remain with the surgical stapler while, in other cases in which the sleds 4170 are not attached to the drive bar, the sleds 4170 may be left in the surgical site. In any event, further to the above, the compressibility of the cartridge body 4110 can allow thicker staple cartridges to be used within an end effector of a surgical stapler as the cartridge body 4110 can compress, or shrink, when the anvil of the stapler is closed. As a result of the staples being at least partially deformed upon the closure of the anvil, taller staples, such as staples having an approximately 0.18" staple height, for example, could be used, wherein approximately 0.12" of the staple height can be positioned within the compressible layer 4110 and wherein the compressible layer 4110 can have an uncompressed height of approximately 0.14", for example.

[0648] Referring now to FIGS. 77-80, a staple cartridge, such as staple cartridge 4200, for example, can comprise a compressible cartridge body 4210, a plurality of staples 4220 positioned therein, and a plurality of flexible lateral support members 4234. Referring now to FIG. 78, the staple cartridge 4200 can be positioned intermediate an anvil 4240 and a staple cartridge channel 4230 wherein, the lateral support members 4234 can be attached to the staple cartridge channel 4230. When the anvil 4240 is moved downwardly to compress the cartridge body 4210 and at least partially deform the staples 4220, as illustrated in FIG. 79, the side portions of the cartridge body 4210 can bulge laterally and push the lateral support members 4234 outwardly. For example, the lateral support members 4234 can be attached to the cartridge body 4210 and, when the cartridge body 4210 bulges laterally as described above, the lateral support members 4234 can detach from the cartridge body 4210 as illustrated in FIG. 79. The lateral support members 4234 can be adhered to the cartridge body 4210 utilizing at least one adhesive, such as fibrin and/or protein hydrogel, for example. Similar to the above, the closing of the anvil 4240 may only partially deform the staples 4220, wherein the formation of the staples 4220 can be completed by the advancement of one or more sleds 4270 through the staple cartridge 4200 as illustrated in FIG. 80. Referring now to FIGS. 82 and 83, the sleds 4270 can be advanced from a proximal end of the staple cartridge 4200 to a distal end of the staple cartridge

END6843WOPCT3

4200 by a cutting member 4280. For example, the cutting member 4280 can comprise a cutting element, or knife, 4283, which can be advanced through the tissue T and/or the compressible cartridge body 4210. The cutting member 4280 can comprise camming members 4282 which can travel along the outside surfaces of the jaws 4230 and 4240 and move or hold the jaws in position. Optionally, as a result of the above, the staples 4220 can be formed into their final shapes at the same time, or at least substantially the same time, as the tissue T is incised. For example, the sleds 4270 can be positioned distally with respect to the knife 4283 such that the tissue T is only incised when the preceding portion of the tissue has been fully stapled, for example.

[0649] Referring again to FIGS. 82 and 83, the sleds 4270 can comprise separate slidable members which are advanced together by the cutting member 4280. For example, the sleds 4270 can be contained within the staple cartridge 4200 and the cutting member 4280 can be advanced into the staple cartridge 4200 by a firing bar 4281 such that the cutting member 4280 engages the sleds 4270 and advances the sleds 4270 distally. The sleds 4270 can be connected to one another. In either event, each sled 4270 can comprise an angled surface, or cam, 4271 which can be configured to lift the staples 4220 aligned within a staple row. The angled surfaces 4271 can be integrally formed with the cutting member 4280. Referring again to FIGS. 82 and 83, each staple 4200 can comprise a base, at least one deformable member extending from the base, and a crown 4229 overmolded onto and/or positioned around at least a portion of the base and/or the deformable members of the staple 4200. Optionally, such crowns 4229 can be configured to be driven directly by a sled 4270, for example. More particularly, the crowns 4229 of staples 4220 can be configured such that the angled surfaces 4271 of the sleds 4270 can slide underneath and directly contact the crowns 4229 without a staple driver positioned therebetween. In such cases, each crown 4229 can comprise at least one co-operating angled or inclined surface which can be engaged by an angled surface 4271 of the sleds 4270 such that the co-operating angled surfaces can drive the staples 4220 upwardly when the sleds 4270 are slid underneath the staples 4220.

[0650] Referring now to FIG. 81, a staple cartridge, such as staple cartridge 4300, for example, can comprise a compressible body 4310 and a plurality of staples 4320 positioned within the compressible body 4310. Similar to the above, the staple cartridge 4300 can comprise flexible lateral supports 4334 which can be attached to a staple cartridge channel and/or adhered to the compressible body 4310. In addition to the above, the flexible lateral supports 4334 can be

END6843WOPCT3

connected together by one or more struts, or connection members, 4335 which can be configured to hold the lateral supports 4334 together. In use, the connection members 4335 can be configured to prevent, or at least inhibit, the lateral supports 4334 from becoming prematurely detached from the cartridge body 4310. The connection members 4335 can be configured to hold the lateral supports 4334 together after the staple cartridge 4300 has been compressed by an anvil. In such cases, the lateral supports 4334 can resist the lateral bulging, or displacement, of the lateral portions of the cartridge body 4310. A cutting member, such as cutting member 4280, for example, can be configured to transect the connection members 4335 as the cutting member 4280 is moved distally within the cartridge body 4310. For example, the cutting member 4280 can be configured to push one or more sleds, such as sleds 4270, for example, distally in order to form the staples 4320 against an anvil. The sleds 4270 can lead the cutting edge 4283 such that the cutting member 4280 does not transect a connection member 4335 until the staples 4320 adjacent to that connection member 4335 have been fully formed, or at least formed to a desired height. In various circumstances, the connection members 4335, in co-operation with the lateral supports 4334, can prevent, or at least reduce, the lateral movement of the compressible cartridge body 4310 and, concurrently, prevent, or at least reduce, the lateral movement of the staples 4320 positioned within the cartridge body 4310. In such circumstances, the connection members 4335 can hold the staples 4320 in position until after they are deformed and the connection members 4335 can be thereafter cut to release the lateral portions of the cartridge body 4310. As mentioned above, the lateral supports 4334 can be connected to the staple cartridge channel and, as a result, can be removed from the surgical site with the staple cartridge channel after the staple cartridge 4300 has been implanted. The lateral supports 4334 can be comprised of an implantable material and can be left within a surgical site. The connection members 4335 can be positioned intermediate the cartridge body 4310 and the tissue T and, after the connection members 4335 have been detached from the lateral supports 4334, the connections members 4335 can remain implanted in the patient. For example, the connection members 4335 can be comprised of an implantable material and, the connection members 4335 can be comprised of the same material as the lateral supports 4334, for example. The connection members 4335 and/or lateral supports 4334 can be comprised of a flexible bioabsorbable material such as polyglycolic acid (PGA) which is marketed under the trade name Vicryl, polylactic acid (PLA or PLLA), polydioxanone (PDS), polyhydroxyalkanoate (PHA), poliglecaprone 25 (PGCL) which is marketed under the

END6843WOPCT3

trade name Monocryl, polycaprolactone (PCL), and/or a composite of PGA, PLA, PDS, PHA, PGCL and/or PCL, for example. According to the invention, a connection member can comprise a sheet of material connecting the lateral supports 4334. A staple cartridge can comprise connection members extending across the top surface of the cartridge body 4310 and, in addition, connection members extending around the bottom surface of the cartridge body 4310.

[0651] Referring now to FIG. 84, a staple cartridge can comprise staples, such as staples 4420, for example, which can comprise a wire portion inserted into a crown portion. The wire portion can be comprised of metal, such as titanium and/or stainless steel, for example, and/or plastic, such as polydioxanone (PDS) and/or polyglycolic acid (PGA), for example. The crown portion can be comprised of metal, such as titanium and/or stainless steel, for example, and/or plastic, such as polydioxanone (PDS) and/or polyglycolic acid (PGA), for example. The wire portion of each staple 4420 can comprise a base 4422 and deformable legs 4421 extending from the base 4422 wherein the crown portion of each staple 4420 can comprise a crown 4429 which can be configured to receive at least a portion of a base 4422 therein. In order to assemble the portions of each staple 4420, referring now to FIGS. 85A-85C, the legs 4421 of the wire portion can be inserted into an opening 4426 in a crown 4429 wherein the opening 4426 can be configured to guide the legs 4421 into a base chamber 4427. The wire portion can be further inserted into the crown 4429 such that the legs 4421 exit the base chamber 4427 and the base 4422 of the wire portion enters into the base chamber 4427. For example, the base chamber 4427 can be configured such that the wire portion is rotated within the crown 4429 as the base 4422 enters into the base chamber 4427 such that the staple legs 4421 are pointed in an upward, or at least substantially upward, direction. Referring again to FIG. 84, the crown 4429 can comprise exit holes 4425 which can be configured to receive the staple legs 4421 therein.

[0652] Further to the above, a surgical stapler can comprise a sled 4470 configured to transverse the staple cartridge 4400 and staple cartridge channel 4430 and move the staples 4420 contained within the cartridge body 4410 toward an anvil. In various circumstances, the sled 4470 can be moved from a proximal end of the staple cartridge channel 4430 to a distal end of the cartridge channel 4430 in order to implant the cartridge body 4410 and the staples 4420. In certain circumstances, the sled 4470 can be retracted or returned to the proximal end of the cartridge channel 4430 and another staple cartridge 4400 can be inserted into the cartridge channel 4430. Once the new staple cartridge 4400 has been positioned within the cartridge channel 4430, the

END6843WOPCT3

sled 4470 can be advanced distally once again. The surgical stapler may comprise one or more lock-out features which can prevent the sled 4470 from being advanced distally once again without a new staple cartridge 4400 being positioned within the cartridge channel 4430. For example, referring again to FIG. 84, the staple cartridge channel 4430 can comprise a lock-out shoulder 4439 which can be configured to prevent, or at least limit, the distal movement of the sled 4470. More particularly, the sled 4470 can be configured to abut the shoulder 4439 unless the sled 4470 is at least partially lifted upwardly over the shoulder 4439 by a lift feature 4428, for example, extending between the proximal-most staples 4420 within a staple cartridge 4400. Stated another way, absent the presence of the proximal-most staples 4420 in a new staple cartridge 4400, the sled 4470 cannot be advanced. Thus, when an expended staple cartridge 4400 is present within the cartridge channel 4430, or no staple cartridge 4400 is present in the cartridge channel 4430 at all, the sled 4470 cannot be advanced within the cartridge channel 4430.

[0653] Further to the above, referring now to FIG. 86, a staple cartridge, such as staple cartridge 4500, for example, can be positioned within a staple cartridge channel 4530 and can comprise a compressible cartridge body 4510, a plurality of staples 4520 positioned within the cartridge body 4510, and a cartridge pan, or retainer, 4580. The compressible cartridge body 4510 can comprise an outer layer 4511 and an inner layer 4512 wherein, the outer layer 4511 can sealingly enclose the inner layer 4512. For example, the outer layer 4511 can extend between the inner layer 4512 and the cartridge pan 4580. The outer layer 4511 may only partially surround the inner layer 4512 and, for example, the outer layer 4511 and the cartridge pan 4580 can cooperate to encompass, or at least substantially encompass, the inner layer 4512. Further to the above, the staples 4520 can be supported by the cartridge pan 4580 wherein the cartridge pan 4580 can comprise one or more staple support channels configured to support the staples 4520. The cartridge pan 4580 can be attached to the cartridge body 4510 wherein, for example, the cartridge body 4510 can be compressed laterally between opposing side walls of the cartridge pan 4580. The side walls of the cartridge pan 4580 can support the cartridge body 4510 laterally and, for example, the cartridge pan 4580 can comprise one or more walls, or fins, 4582 extending upwardly from the bottom support 4583 into the cartridge body 4510. For example, the cartridge body 4510 can comprise one or more slots, or channels, therein which can be configured to receive and/or interlock with the walls 4582. The walls 4582 can extend partially, or almost

END6843WOPCT3

entirely, through the cartridge body 4510. For example, the walls 4582 can extend longitudinally through the staple cartridge 4500 between a first row of staples 4520 and a second row of staples 4520.

[0654] The cartridge body 4510 and/or the cartridge pan 4580 can comprise co-operating retention features which can provide a snap-fit between the cartridge pan 4580 and the cartridge body 4510. The staple cartridge 4500 can be positioned within the cartridge channel 4530 such that the cartridge pan 4580 is positioned against and/or attached to the cartridge channel 4530. The cartridge pan 4580 can be detachably coupled to the cartridge channel 4530 such that, after the staple cartridge 4500 has been compressed by the anvil 4540 and the staples 4520 have been deformed, the cartridge pan 4580 can detach from the cartridge channel 4530 and can be implanted with the cartridge body 4510. For example, the cartridge pan 4580 can be comprised of a bioabsorbable material such as polyglycolic acid (PGA) which is marketed under the trade name Vicryl, polylactic acid (PLA or PLLA), polydioxanone (PDS), polyhydroxyalkanoate (PHA), poliglecaprone 25 (PGCL) which is marketed under the trade name Monocryl, polycaprolactone (PCL), and/or a composite of PGA, PLA, PDS, PHA, PGCL and/or PCL, for example. A surgical stapler can further comprise a firing mechanism and/or driver which can be slid intermediate the staple cartridge channel 4530 and a bottom drive surface on the cartridge pan 4580 which can be configured to lift or eject the cartridge pan 4580 from the cartridge channel 4530. The cartridge body 4510 can be detachably coupled to the cartridge pan 4580 such that, after the staple cartridge 4500 has been compressed by the anvil 4540 and the staples 4520 have been deformed, the cartridge body 4510 can detach from the cartridge pan 4580. For example, the cartridge pan 4580 can remain fixedly engaged with the cartridge channel 4530 such that the cartridge pan 4580 is removed from the surgical site with the cartridge channel 4530. A surgical stapler can further comprise a firing mechanism and/or driver which can be slid intermediate the staple cartridge pan 4580 and a bottom drive surface on the cartridge body 4510 which can be configured to lift or eject the cartridge body 4510 from the cartridge pan 4580. For example, the staple cartridge 4500 can further comprise staple drivers positioned intermediate the cartridge pan 4580 and the staples 4520 such that, as the firing mechanism is slid distally, the staple drivers and the staples 4520 can be driven upwardly toward the anvil. For example, the staple drivers can be at least partially embedded within the compressible cartridge body 4510.

END6843WOPCT3

[0655] Optionally, similar to the above, the staple cartridge 4500 can comprise a lock-out feature which can be configured to prevent, or at least limit, the distal movement of a cutting member unless a unfired staple cartridge 4500 has been positioned within the staple cartridge channel 4530. The staple cartridge pan 4580 can comprise a surface which lifts the cutting member upwardly and over a locking surface within the staple cartridge channel 4530, for example. In the event that a staple cartridge 4500 comprising a cartridge pan 4580 is not present in the cartridge channel 4530, the cutting member cannot be advanced. The proximal-most staples, and/or any other suitable staples, within a staple cartridge 4500 can comprise a lifting surface which can sufficiently lift the cutting member over the locking surface. In addition to or in lieu of the above, various portions of the staple cartridge 4500 can be comprised of materials having different colors. In such cases, a surgeon may be able to visually identify when an unfired and/or fired staple cartridge is present in the staple cartridge channel 4530. For example, the outer layer 4511 of the cartridge body 4510 may have a first color, the cartridge pan 4580 may have a second color, and the staple cartridge channel 4530 may have a third color. In the event that the surgeon sees the first color, the surgeon may know that an unfired cartridge 4500 is present in the staple cartridge channel 4530; in the event that the surgeon sees the second color, the surgeon may know that a fired cartridge 4500 is present in the staple cartridge channel 4530 and that the remaining cartridge pan 4580 needs to be removed; and in the event that the surgeon sees the third color, the surgeon may know that no portion of a staple cartridge 4500 remains within the cartridge channel 4530.

[0656] Referring now to FIG. 87, a staple cartridge, such as staple cartridge 4600, for example, can comprise a compressible, implantable cartridge body 4610 and a plurality of staples 4620 positioned therein. The cartridge body 4610 can comprise an outer layer 4611 and an inner layer 4612. The inner layer 4612 can comprise a plurality of pockets, such as pockets, or cavities, 4615, for example, defined therein which can facilitate the collapse of the cartridge body 4610. For example, the inner layer 4612 can comprise a corrugated, or honeycomb-configured, lattice which can be configured to withstand a compressive force, or pressure, as long as the compressive force, or pressure, does not exceed a certain threshold value. When the threshold value has not been exceeded, the inner layer 4612 can deform at a linear, or at least substantially linear, rate with respect to the compressive force, or pressure, being applied. After the compressive force, or pressure, has exceeded the threshold value, the inner layer 4612 can

END6843WOPCT3

suddenly succumb to large deflections and collapse, or buckle, as a result of the compressive load. The lattice of the inner layer 4612 can be comprised of a plurality of sub-layers 4612a which can be connected together. Each sub-layer 4612a can comprise a plurality of alternating furrows and ridges, or waves, which can be aligned with the alternating furrows and ridges of an adjacent sub-layer 4612a. For example, the furrows of a first sub-layer 4612a can be positioned adjacent to the ridges of a second sub-layer 4612a and, similarly, the ridges of the first sub-layer 4612a can be positioned adjacent to the furrows of the second sub-layer 4612a. The adjacent sub-layers 4612a can be adhered to one another and/or the outer layer 4611 by at least one adhesive, such as fibrin and/or protein hydrogel, for example. FIG. 88 illustrates the staple cartridge 4600 after the cartridge body 4610 has been collapsed and the staples 4620 have been deformed in order to capture and hold tissue T against the cartridge body 4610.

[0657] Referring now to FIGS. 89-91, a staple cartridge, such as staple cartridge 4700, for example, can comprise a compressible, implantable cartridge body 4710 and a plurality of staples 4720 positioned within the cartridge body 4710. Similar to the above, the cartridge body 4710 can comprise an outer layer 4711 and an inner layer 4712, wherein the inner layer 4712 can comprise a plurality of sub-layers 4712a. Also similar to the above, each sub-layer 4712a can comprise alternating furrows 4717 and ridges 4718 which can be aligned with one another to define pockets, or cavities, 4715 therebetween. For example, the furrows 4717 and/or the ridges 4718 can extend along axes which are parallel to one another and/or parallel to a longitudinal axis 4709. The staples 4720 can be aligned in a plurality of staple rows which can extend along axes which are parallel to one another and/or parallel to the longitudinal axis 4709. Alternatively, referring again to FIGS. 87 and 88, the staples 4620 contained in the cartridge body 4600 can extend along axes which are traverse or perpendicular with respect to the axes defined by the furrows and ridges of the sub-layers 4612a. Referring again to FIGS. 89-91, the staples 4720 can extend through the furrows 4717 and the ridges 4718 wherein friction forces between the staples 4720 and the sub-layers 4712a can hold the staples 4720 within the cartridge body 4710. The plurality of sub-layers 4712a can be comprised of a buttress material and/or plastic material, such as polydioxanone (PDS) and/or polyglycolic acid (PGA), for example, which can be configured to hold the staples 4720 in an upright orientation, for example, and/or hold the staples 4720 in alignment with respect to each other as illustrated in FIGS. 89 and 90. FIG. 91 illustrates the

END6843WOPCT3

staple cartridge 4700 after the cartridge body 4710 has been collapsed and the staples 4720 have been deformed in order to capture and hold tissue T against the cartridge body 4710.

[0658] Referring again to FIGS. 89-91, the cartridge body 4710 can resiliently or elastically collapse when it is compressed. For example, the waves formed within each sub-layer 4712a by the furrows 4717 and the ridges 4718 can be flattened, or at least substantially flattened, when the cartridge body 4710 is compressed which can collapse, or at least substantially collapse, the cavities 4715 defined therebetween. In various circumstances, the cartridge body 4710, or at least portions of the cartridge body 4710, can resiliently or elastically re-expand after the compressive force, or pressure, has been removed from the cartridge body 4710. For example, the connections between the furrows 4717 and the ridges 4718 of adjacent sub-layers 4712a can remain intact, or at least substantially intact, when the cartridge body 4710 is compressed such that, after the compression force has been removed from the cartridge body 4710, the sub-layers 4712a can bias themselves away from each other and, as a result, at least partially re-expand the cartridge body 4710. The cartridge body 4710 can be plastically deformed, or crushed, when it is compressed and, as a result, the cartridge body 4710 may not re-expand after the compressive force, or pressure, has been removed from the cartridge body 4710. Referring now to FIG. 92, a staple cartridge, such as staple cartridge 4800, for example, can comprise a crushable cartridge body 4810 comprising an outer layer 4811 and an inner layer 4812, wherein the inner layer 4812 can comprise a corrugated, honeycomb-configured, lattice having a plurality of pockets, or cavities, 4815 defined therein. The walls defining the lattice of inner layer 4812 can comprise one or more weakened, or thin, cross-sections 4819 which can be configured to allow the walls defining the lattice to break when the cartridge body 4810 is compressed. In such circumstances, the cartridge body 4810 can be crushed when the staple cartridge 4800 is implanted.

[0659] Referring now to FIGS. 93-95, a staple cartridge, such as staple cartridge 4900, for example, can comprise a cartridge body 4910 comprising an outer layer 4911 and a plurality of collapsible elements 4912 positioned intermediate top and bottom portions of the outer layer 4911, for example. Referring primarily to FIGS. 93 and 94, the staple cartridge 4900 can further comprise a plurality of staples 4920, wherein each staple 4920 can be positioned in a collapsible element 4912. More particularly, each collapsible element 4912 can comprise a first portion 4912a, a second portion 4912b, and a third portion 4912c which can co-operate to define a cavity 4915 therein which is configured to receive a staple 4920. In use, further to the above, the staple

END6843WOPCT3

cartridge 4900 can be positioned within a staple cartridge channel and a compressive force can be applied to the tissue contacting surface 4919 in order to compress the cartridge body 4910. As the tissue contacting surface 4919 is moved downwardly, the collapsible elements 4912 can collapse. In such circumstances, the second portion 4912b of each collapsible element 4912 can collapse into a corresponding first portion 4912a and, similarly, the third portion 4912c of each collapsible element 4912 can collapse into a corresponding second portion 4912b. As the cartridge body 4910 is compressed and the collapsible elements 4912 are collapsed, the staples 4920 positioned within the collapsible elements 4912 can be deformed, as illustrated in FIG. 95. The second portion 4912b of each collapsible element 4912 can be frictionally engaged and/or press-fit within a corresponding first portion 4912a such that, once the compressive force applied to the collapsible element 4912 exceeds the retention force retaining the first portion 4912a and the second portion 4912b in their extended position (FIG. 94), the first portion 4912a and the second portion 4912b can begin to slide relative to one another. Similarly, the third portion 4912c of each collapsible element 4912 can be frictionally engaged and/or press-fit within a corresponding second portion 4912b such that, once the compressive force applied to the collapsible element 4912 exceeds the retention force retaining the second portion 4912b and the third portion 4912c in their extended position (FIG. 94), the second portion 4912b and the third portion 4912c can begin to slide relative to one another.

[0660] As described herein, a staple cartridge can comprise a plurality of staples therein. Optionally, such staples can be comprised of a metal wire deformed into a substantially U-shaped configuration having two staple legs. Alternatives are envisioned in which staples can comprise different configurations such as two or more wires that have been joined together having three or more staple legs. The wire, or wires, used to form the staples can comprise a round, or at least substantially round, cross-section. The staple wires can comprise any other suitable cross-section, such as square and/or rectangular cross-sections, for example. The staples can be comprised of plastic wires. The staples can be comprised of plastic-coated metal wires. According to the invention, a cartridge can comprise any suitable type of fastener in addition to or in lieu of staples. For example, such a fastener can comprise pivotable arms which are folded when engaged by an anvil. Two-part fasteners could be utilized. For example, a staple cartridge can comprise a plurality of first fastener portions and an anvil can comprise a plurality of second fastener portions which are connected to the first fastener portions when the anvil is compressed

END6843WOPCT3

against the staple cartridge. As described above, a sled or driver can be advanced within a staple cartridge in order to complete the forming process of the staples. A sled or driver can be advanced within an anvil in order to move one or more forming members downwardly into engagement with the opposing staple cartridge and the staples, or fasteners, positioned therein. [0661] As described herein, a staple cartridge can comprise four rows of staples stored therein. The four staple rows can be arranged in two inner staple rows and two outer staple rows. For example, an inner staple row and an outer staple row can be positioned on a first side of a cutting member, or knife, slot within the staple cartridge and, similarly, an inner staple row and an outer staple row can be positioned on a second side of the cutting member, or knife, slot. A staple cartridge may not comprise a cutting member slot; however, such a staple cartridge may comprise a designated portion configured to be incised by a cutting member in lieu of a staple cartridge slot. The inner staple rows can be arranged within the staple cartridge such that they are equally, or at least substantially equally, spaced from the cutting member slot. Similarly, the outer staple rows can be arranged within the staple cartridge such that they are equally, or at least substantially equally, spaced from the cutting member slot. According to the invention, a staple cartridge can comprise more than or less than four rows of staples stored within a staple cartridge. A staple cartridge can comprise six rows of staples. For example, the staple cartridge can comprise three rows of staples on a first side of a cutting member slot and three rows of staples on a second side of the cutting member slot. A staple cartridge may comprise an odd number of staple rows. For example, a staple cartridge may comprise two rows of staples on a first side of a cutting member slot and three rows of staples on a second side of the cutting member slot. The staple rows can comprise staples having the same, or at least substantially the same, unformed staple height. Alternatively, one or more of the staple rows can comprise staples having a different unformed staple height than the other staples. For example, the staples on a first side of a cutting member slot may have a first unformed height and the staples on a second side of a cutting member slot may have a second unformed height which is different than the first height, for example.

[0662] Referring now to FIGS. 96A-96D, an end effector of a surgical stapler can comprise a cartridge attachment portion, such as staple cartridge channel 5030, for example, a fastener cartridge removably positioned in the staple cartridge channel 5030, such as staple cartridge 5000, for example, and a jaw 5040 positioned opposite the staple cartridge 5000 and the staple

END6843WOPCT3

cartridge channel 5030. The staple cartridge 5000 can comprise a compressible body 5010 and a plurality of staples 5020, and/or any other suitable fasteners, at least partially positioned in the compressible body 5010. For example, each staple 5020 can comprise a base 5022 and, in addition, legs 5021 extending upwardly from the base 5022, wherein at least a portion of the legs 5021 can be embedded in the cartridge body 5010. The compressible body 5010 can comprise a top, or tissue-contacting, surface 5019 and a bottom surface 5018, wherein the bottom surface 5018 can be positioned against and supported by a support surface 5031 of the staple cartridge channel 5030. Similar to the above, the support surface 5031 can comprise a plurality of support slots 5032 (FIG. 96D), for example, defined therein which can be configured to receive and support the bases 5022 of the staples 5020. The end effector of the surgical stapler can further comprise a retention matrix, such as retention matrix 5050, for example, which can be configured to engage the staples 5020 and capture tissue therebetween. For example, the retention matrix 5050 can be removably mounted to the jaw 5040. In use, once the staple cartridge 5000 has been positioned within the staple cartridge channel 5030, the jaw 5040, and the retention matrix 5050 attached thereto, can be moved toward the staple cartridge 5000 and the staple cartridge channel 5030. The jaw 5040 can be moved downwardly along an axis 5099 such that the jaw 5040 and the staple cartridge channel 5030 remain parallel, or at least substantially parallel, to one another as the jaw 5040 is closed. More particularly, for example, the jaw 5040 can be closed in a manner such that a tissue-contacting surface 5051 of the retention matrix 5050 is parallel, or at least substantially parallel, to the tissue-contacting surface 5019 of the staple cartridge 5000 as the jaw 5040 is moved toward the staple cartridge 5000.

[0663] Referring now to FIG. 96A, the retention matrix 5050 can be detachably secured to the jaw 5040 such that there is little, if any, relative movement between the retention matrix 5050 and the jaw 5040 when the retention matrix 5050 is attached to the jaw 5040. The jaw 5040 can comprise one or more retention features which can be configured to hold the retention matrix 5050 in position. For example, the retention matrix 5050 can be snap-fit and/or press-fit into the jaw 5040. The retention matrix 5050 can be adhered to the jaw 5040 utilizing at least one adhesive. In any event, the jaw 5040 can be moved into a position in which the retention matrix 5050 is in contact with the tissue T and the tissue T is positioned against the tissue-contacting surface 5019 of the staple cartridge 5000. When the tissue T is positioned against the staple cartridge 5000 by the jaw 5040, the compressible body 5010 of the staple cartridge 5000 may or

END6843WOPCT3

may not be compressed by the jaw 5040. In either circumstance, the legs 5021 of the staples 5200 may not protrude through the tissue-contacting surface 5019 of the staple cartridge 5000 as illustrated in FIG. 96A. Furthermore, as also illustrated in FIG. 96A, the jaw 5040 can hold the tissue T against the compressible body 5010 without engaging the retention matrix 5050 with the staples 5020. These can permit a surgeon to open and close the jaw 5040 multiple times in order to obtain a desired positioning of the end effector within a surgical site, for example, without damaging the tissue T. Alternatives are envisioned, however, where the staple tips 5023 can protrude from the tissue-contacting surface 5019 prior to the cartridge body 5010 being compressed by the anvil 5040. Once the end effector has been suitably positioned, referring now to FIG. 96B, the jaw 5040 can be moved downwardly toward the staple cartridge channel 5030 such that the compressible body 5010 is compressed by the anvil 5040 and such that the tissue-contacting surface 5019 is pushed downwardly relative to the staples 5020. As the tissue-contacting surface 5019 is pushed downwardly, the tips 5023 of the staple legs 5021 can pierce the tissue-contacting surface 5019 and pierce at least a portion of the tissue T. In such circumstances, the retention matrix 5050 may be positioned above the staples 5020 such that the retention apertures 5052 of retention matrix 5050 are aligned, or at least substantially aligned, with the tips 5023 of the staple legs 5021.

[0664] As the retention matrix 5050 is pushed downwardly along the axis 5099, referring now to FIG. 96C, the staple legs 5021 of staples 5020 can enter into the retention apertures 5052. The staple legs 5021 can engage the side walls of the retention apertures 5052. As described in greater detail below, the retention matrix 5050 can comprise one or more retention members extending into and/or around the retention apertures 5052 which can engage the staple legs 5021. In either event, the staple legs 5021 can be retained in the retention apertures 5052. In various circumstances, the tips 5023 of the staple legs 5021 can enter into the retention apertures 5052 and can frictionally engage the retention members and/or the side walls of the apertures 5052. As the retention matrix 5050 is pushed toward the bases 5022 of the staples 5020, the staple legs 5021 can slide relative to the side walls and/or the retention members. As a result of the above, sliding friction forces can be created between the staple legs 5021 and the retention matrix 5050 wherein such sliding friction forces can resist the insertion of the retention matrix 5050 onto the staples 5020. The sliding friction forces between the retention matrix 5050 and the staples 5020 can be constant, or at least substantially constant, as the retention matrix 5050 is slid

END6843WOPCT3

downwardly along the staple legs 5021 of the staples 5020. The sliding friction forces may increase and/or decrease as the retention matrix 5050 is slid downwardly along the staple legs 5021 owing to variations in geometry of the staple legs 5021, the retention apertures 5052, and/or the retention members extending into and/or around the retention apertures 5052, for example. The insertion of the retention matrix 5050 onto the staples 5020 can also be resisted by the compressible body 5010 of the staple cartridge 5000. More particularly, the compressible body 5010 can be comprised of an elastic material, for example, which can apply a resistive force to the retention matrix 5050 which increases as the distance in which the compressible body 5010 is compressed increases. For example, the increase in the resistive force generated by the cartridge body 5010 can be linearly proportional, or at least substantially linearly proportional, with respect to the distance in which the cartridge body 5010 is compressed. The increase in the resistive force generated by the cartridge body 5010 can be geometrically proportional with respect to the distance in which the cartridge body 5010 is compressed.

[0665] Further to the above, a sufficient firing force can be applied to the jaw 5040 and the retention matrix 5050 in order to overcome the resistive and friction forces described above. In use, the retention matrix 5050 can be seated to any suitable depth with respect to the staples 5020. The retention matrix 5050 can be seated to a depth with respect to the bases 5022 of the staples 5020 in order to secure two or more layers of tissue together and generate compressive forces, or pressure, within the tissue. In various circumstances, the system comprising the retention matrix 5050 and the staples 5020 can allow a surgeon to select the amount of compressive forces, or pressure, that is applied the tissue by selecting the depth in which the retention matrix 5050 is seated. For example, the retention matrix 5050 can be pushed downwardly toward the staple bases 5022 of the staples 5020 until the retention matrix 5050 is seated a certain depth 5011 away from the bottom of the support slots 5032, wherein a shorter depth 5011 can result in higher compressive forces, or pressure, being applied to the tissue T than a taller depth 5011 which can result in lower compressive forces, or pressure, being applied to the tissue T. The compressive forces, or pressures, applied to the tissue T can be linearly proportional, or at least substantially linearly proportional, to the depth 5011 in which the retention matrix 5050 is seated. In various circumstances, the compressive forces, or pressure, applied to the tissue T can depend on the thickness of the tissue T positioned between the retention matrix 5050 and the staple cartridge 5020. More particularly, for a given distance 5011,

END6843WOPCT3

the presence of thicker tissue T can result in higher compression forces, or pressure, than the presence of thinner tissue T.

[0666] In various circumstances, further to the above, a surgeon can adjust the depth in which the retention matrix 5050 is seated in order to account for thicker and/or thinner tissue positioned within the end effector and to apply a certain or predetermined pressure to the tissue T regardless of the tissue thickness. For example, the surgeon can seat the retention matrix 5050 to a shorter depth 5011 when fastening thinner tissue T or a taller depth 5011 when fastening thicker tissue T in order to arrive at the same, or at least substantially the same, compression pressure within the tissue. Further to the above, a surgeon can selectively determine the amount of compressive pressure to apply to the tissue T positioned between the retention matrix 5050 and the staple cartridge 5010. In various circumstances, a surgeon can engage the retention matrix 5050 with the staples 5020 and position the retention matrix 5050 a first distance away from the bases 5022 of the staples 5020 in order to apply a first compressive pressure to the tissue. The surgeon can alternatively position the retention matrix 5050 a second distance away from the bases 5022, which is shorter than the first distance, in order to apply a second compressive pressure to the tissue which is greater than the first pressure. The surgeon can alternatively position the retention matrix 5050 a third distance away from the bases 5022, which is shorter than the second distance, in order to apply a third compressive pressure to the tissue which is greater than the second pressure. The fastening system comprising the retention matrix 5050 and the staples 5020 can be configured to permit a surgeon to apply a wide range of compressive pressures to the targeted tissue.

[0667] Referring now to FIG. 96D, the staple legs 5021 can be inserted through the retention matrix 5050 such that the staple leg tips 5023 extend above the top surface of the retention matrix 5050. Referring again to FIG. 96C, the jaw 5040 can further comprise clearance apertures 5042 defined therein which can be configured to receive the staple leg tips 5023 as they pass through the retention apertures 5052 in the retention matrix 5050. For example, the clearance apertures 5042 can be aligned with the retention apertures 5052 such that the legs 5021 do not contact the jaw 5040. The clearance apertures 5042 can have a sufficient depth such that the staple legs 5021 do not contact the jaw 5040 regardless of the distance in which the retention matrix 5050 is seated. After the retention matrix 5050 has been engaged with the staples 5020 and seated to a desired position, referring now to FIG. 96D, the staple cartridge channel 5030

END6843WOPCT3

and the jaw 5040 can be moved away from the tissue T. More particularly, the staple cartridge channel 5030 can be detached from the implanted staple cartridge 5000 and the anvil 5040 can be detached from the implanted retention matrix 5050. As the jaw 5040 is moved away from the retention matrix 5050 and the staple supports 5032 are moved away from the staple bases 5022, the distance 5011 between the retention matrix 5050 and the bottom of the bases 5022 can be maintained even though the jaw 5040 and the staple cartridge channel 5030 are no longer providing support thereto. The static friction forces between the staple legs 5021 and the retention matrix 5050 can be sufficient to maintain the retention matrix 5050 in position despite a biasing force being applied to the retention matrix 5050 by the compressed cartridge body 5010 and/or the compressed tissue T. For example, the cartridge body 5010 can be comprised of a resilient material which, when compressed, can apply an elastic biasing force to the retention matrix 5050 and the staples 5020 in a manner which tends to push the retention matrix 5050 and the staples 5020 apart, although such movement is opposed by the frictional engagement between the staple legs 5021 and the retention matrix 5050.

[0668] Optionally, as described above, a retention matrix can comprise a plurality of retention apertures, wherein each retention aperture can be configured to receive a leg of a fastener therein. Referring now to FIG. 97, a portion of a retention matrix 5150 is illustrated therein which can comprise a retention aperture 5152 defined by a perimeter 5156. The perimeter 5156 of the aperture 5152 can comprise a circular, or at least substantially circular, profile and/or any other suitable profile. The retention matrix 5150 can comprise one or more retention members, such as retention members 5153, for example, which extend into the aperture 5152 and can be configured to engage a fastener leg when the fastener leg is inserted therethrough. For example, each retention member 5153 can comprise a cantilever which extends inwardly toward a center axis 5159, i.e., toward the center of the aperture 5152. Optionally, each cantilever can comprise a first end which is attached to the retention matrix body 5158 and a second end which forms the perimeter 5156 of the retention aperture 5152. The perimeter 5156 of a retention aperture 5152 can be defined by a first diameter, or width, and a fastener leg can be defined by a second diameter, or width, wherein the second diameter can be larger than the first diameter. For example, the fastener leg can be configured to contact and deflect one or more of the retention members 5153 in order to increase the diameter of the retention aperture 5152 as the fastener leg is being inserted therethrough. Further to the above, the fastener leg can define a perimeter which

END6843WOPCT3

is larger than the perimeter 5156 of the retention aperture 5152 such that the fastener leg can expand the perimeter 5156 when the fastener leg is inserted therein.

[0669] Referring again to FIG. 97, the aperture 5152 can be defined by the deformable members 5153, wherein each deformable member 5153 can be configured to deflect relative to, or independently of, the other deformable members 5153. For example, adjacent deformable members 5153 can be separated by slots 5154 which can be configured to permit each deformable member 5153 to flex relative to the others. Each slot 5154 can comprise a first end 5155 in the retention matrix body 5158, a second end opening into the retention aperture 5152, and a constant, or at least substantially constant, width extending between the first end 5155 and the second end. Alternatively, the width of each slot 5154 may not be constant and each slot 5154 may increase and/or decrease in width between the first and second ends thereof. The first ends 5155 of the slots 5154 can comprise an enlarged portion, such as a circular portion, which can provide, one, strain relief to the bases of the deformable members 5153 attached to the retention matrix body 5158 and, two, means for increasing the flexibility of the deformable members 5153. The geometry of the deformable members 5153, and/or slots 5154, can be selected so as to provide the deformable members 5153 with a desired flexibility. For example, the slots 5154 can be lengthened in order to create longer deformable members 5153 which can be more flexible than deformable members 5153 having a shorter length. The width of each deformable member 5153 can be selected so as to provide a desired flexibility thereof. More particularly, deformable members having a thinner width can be more flexible than deformable members having a thicker width. Referring again to FIG. 97, the first ends of the cantilevers of deformable members 5153 attached to the retention matrix body 5158 can be wider than the second ends of the cantilevers. For example, the cantilevers can be tapered in a linear, or at least substantially linear, manner between the first and second ends thereof.

[0670] Referring again to FIG. 97, the retention matrix body 5158 can comprise a flat, or at least substantially flat, sheet of material having a tissue-contacting surface 5151 and a top surface 5157. For example, the tissue-contacting surface 5151 and the top surface 5157 can be parallel, or at least substantially parallel, to one another. Optionally, each deformable member 5153 can comprise a first portion 5153a and a second portion 5153b, wherein the first portion 5153a can extend in a first direction and the second portion 5153b can extend in a different, or second, direction. For example, the retention matrix body 5158 can define a plane and the first portions

END6843WOPCT3

5153a of the deformable members 5153 can lie within such a plane. The second portions 5153b of the deformable members 5153 can extend at an angle relative to the first portions 5153a. For example, the second portions 5153b can extend in directions which are pointed away from the top surface 5157 of the retention matrix body 5158 and, the second portions 5153b can converge toward the central axis 5159 of the retention aperture 5152. In any event, the second portions 5153b can be configured to deflect away from the central axis 5159 when the fastener leg is inserted therethrough. Where a staple leg 5021 of a staple 5020 is inserted into a retention aperture 5152, the deformable members 5153 can deform in a direction which is generally away from the bases 5122 of the staples 5120. As a result, the deformable members 5153 can deflect in a general direction which is the same as, or at least substantially the same as, the direction in which the staple legs 5021 are being inserted.

[0671] Referring again to FIG. BD, the second portions 5153b of the deformable members 5153 can each comprise a sharp tip, for example, which can be configured to slide against a staple leg 5021 as the staple leg 5021 is inserted therein. The sharp tips of the second portions 5153b can also be configured to bite into the staple leg 5021 in the event that the staple leg 5021 were to be pulled in the opposite direction, i.e., in a direction which would remove the staple leg 5021 from the retention aperture 5052. In certain circumstances, the second portions 5153b can be inclined at an angle relative to the side of the staple leg 5021 which is greater than 90 degrees and, as a result, the second portions 5153b may dig, or burrow, into the side of the staple leg 5021 when the staple leg 5021 experiences a force which tends to withdraw the staple leg 5021 from the retention aperture 5052. The staple legs 5021 can comprise indentations and/or concavities, such as microindentations, for example, in the surfaces thereof which can be configured to receive the tips of the deformable members 5053, for example, therein. For example, the tips of the deformable members 5053 can catch in and burrow into the indentations in the staple legs 5021 when a withdrawing force is applied to the staple legs 5021. Optionally, as a result of the burrowing of the second portions 5153b into the staple legs 5021, forces acting to remove the staple legs 5021 from the retention apertures 5022 may only seat the second portions 5153b deeper into the staple legs 5021 and increase the force required to remove the staple legs 5021. Furthermore, owing to the upward inclination of the second portions 5153b, the second portions 5153b can be more permissive to the insertion of a staple leg 5021 within a retention aperture 5152 and more resistive to withdrawal of the staple leg 5021. As a result, the force required to

END6843WOPCT3

insert a staple leg 5021 into a retention aperture 5022 may be less than the force required to remove the staple leg 5021 from the retention aperture 5022. The force needed to remove the staple leg 5021 from the retention aperture 5022 can be approximately 50 percent greater than the force needed to insert the staple leg 5021 into the retention aperture 5022, for example. Alternatively, the force needed to remove the staple leg 5021 may be between approximately 10 percent and approximately 100 percent greater than the force needed to insert the staple leg 5021, for example. The force needed to remove the staple leg 5021 may be approximately 100 percent, approximately 150 percent, approximately 200 percent, and/or greater than approximately 200 percent larger than the force needed to insert the staple leg 5021, for example.

[0672] Referring again to FIG. 97, the second portions 5153b can be arranged circumferentially around the aperture 5152 and can define a pocket therebetween. More particularly, the second portions 5153b can define a pocket 5160 which can be configured to receive the tip of the fastener leg when it is inserted into the retention aperture 5152. The second portions 5153b of the deformable members 5153 can comprise an annular, or an at least substantially annular, contour which can co-operatively define an annular, or at least substantially annular, profile of the pocket 1560, for example. For example, the second portions 5153b can define a conical or frustoconical pocket. The pocket can be defined by a suitable number of deformable members, such as four deformable members 5153 (FIG. 97), six deformable members 5153 (FIG. 98), or eight deformable members 5153 (FIG. 99), for example. Referring now to FIG. 100, the deformable members of a retention matrix, such as retention matrix 5250, for example, can form a pyramidal shape, or an at least substantially pyramidal shape, for example. According to the invention, a retention matrix 5250 can comprise a plurality of retention apertures, such as retention aperture 5252, for example, which can be defined by a perimeter 5256. The perimeter 5256 can comprise a polygonal, or at least substantially polygonal, profile and/or any other suitable profile. The retention matrix 5250 can comprise one or more retention members, such as retention members 5253, for example, which extend into the aperture 5252 and can be configured to engage a fastener leg when the fastener leg is inserted therethrough. For example, each retention member 5253 can comprise a cantilever which extends inwardly toward a center axis 5259, i.e., toward the center of the aperture 5252. Optionally, each cantilever can comprise a first end which is attached to the retention matrix body 5258 and a second end which forms the perimeter 5256 of the retention aperture 5252. The perimeter 5256 of a retention aperture 5252 can be defined by a

END6843WOPCT3

first diameter, or width, and a fastener leg can be defined by a second diameter, or width, wherein the second diameter can be larger than the first diameter. For example, the fastener leg can be configured to contact and deflect one or more of the retention members 5253 in order to increase the diameter of the retention aperture 5252 as the fastener leg is being inserted therethrough. Further to the above, the fastener leg can define a perimeter which is larger than the perimeter 5256 of the retention aperture 5252 such that the fastener leg can expand the perimeter 5256 when the fastener leg is inserted therein.

[0673] Referring again to FIG. 100, the aperture 5252 can be defined by the deformable members 5253, wherein each deformable member 5253 can be configured to deflect relative to, or independently of, the other deformable members 5253. For example, adjacent deformable members 5253 can be separated by slots 5254 which can be configured to permit each deformable member 5253 to flex relative to the others. The retention matrix body 5258 can comprise a flat, or at least substantially flat, sheet of material having a tissue-contacting surface 5251 and a top surface 5257. For example, the tissue-contacting surface 5251 and the top surface 5257 can be parallel, or at least substantially parallel, to one another. Optionally, each deformable member 5253 can comprise a first portion 5253a and a second portion 5253b, wherein the first portion 5253a can extend in a first direction and the second portion 5253b can extend in a different, or second, direction. For example, the retention matrix body 5258 can define a plane and the first portions 5253a of the deformable members 5253 can lie within such a plane. The second portions 5253b of the deformable members 5253 can extend at an angle relative to the first portions 5253a. For example, the second portions 5253b can extend in directions which are pointed away from the top surface 5257 of the retention matrix body 5258 and, the second portions 5253b can converge toward the central axis 5259 of the retention aperture 5252. In any event, the second portions 5253b can be configured to deflect away from the central axis 5259 when the fastener leg is inserted therethrough. Referring again to FIG. 100, the second portions 5253b can be arranged circumferentially around the aperture 5252 and can define a pocket therebetween. More particularly, the second portions 5253b can define a pocket which can be configured to receive the tip of the fastener leg when it is inserted into the retention aperture 5252. The second portions 5253b of the deformable members 5253 can define a polygonal, or an at least substantially polygonal, pocket, for example. The pocket can be defined by a suitable number of deformable members, such as four deformable members 5253 (FIG. 100)

END6843WOPCT3

which can define a square, six deformable members 5253 (FIG. 101) which can define a hexagon, or eight deformable members 5253 (FIG. 102) which can define an octagon, for example.

[0674] Referring now to FIG. 103, a retention matrix, such as retention matrix 5350, for example, can be formed from a flat, or an at least substantially flat, sheet of material such as titanium and/or stainless steel, for example. For example, a plurality of apertures 5352 can be formed in the body 5358 of the retention matrix 5350 by one or more stamping processes. The sheet of material can be positioned in a stamping die which, when actuated, can punch out certain portions of the material in order to form slots 5354, apertures 5355 of slots 5354, and/or the perimeter 5356 of the retention aperture 5352, for example. The stamping die can also be configured to bend the deformable members 5353 in a suitable configuration. For example, the stamping die can deform the second portions 5353b upwardly relative to the first portions 5353a along a crease line 5353c. Referring now to FIG. 104, a retention matrix, such as retention matrix 5450, for example, can comprise a plurality of retention apertures 5452. Similar to the above, the perimeter 5456 of each retention aperture 5452 can be defined by a plurality of deformable members 5453 separated by slots, or slits, 5454. For example, the entirety of each deformable member 5453 can be bent upwardly wherein the free ends of the cantilevers comprising the deformable members 5453 can define the perimeter 5456. The retention matrix 5450 can comprise a plurality of apertures 5455 surrounding, or at least substantially surrounding, the retention aperture 5452. For example, the apertures 5455 can be arranged in a circular array surrounding or enclosing a perimeter defined by the fixed ends of the cantilevers of the deformable members 5453. Each aperture 5455 can comprise a circular, or at least substantially circular, perimeter and/or any other suitable perimeter. In use, the apertures 5455 can provide, one, strain relief to the bases of the deformable members 5453 attached to the retention matrix body 5458 and, two, means for increasing the flexibility of the deformable members 5453. Optionally, larger apertures 5455 can provide more flexibility to the deformable members 5453 as compared to smaller apertures 5455. Furthermore, apertures 5455 which are closer to the deformable members 5453 can provide more flexibility as compared to apertures 5455 which are further away.

[0675] Referring now to FIG. 105, a retention matrix, such as retention matrix 5550, for example, can comprise a plurality of retention apertures 5552. Each retention aperture 5552 can

END6843WOPCT3

comprise an elongate slot 5554 having enlarged circular, or at least substantially circular, ends 5555. For example, the ends 5555 can be defined by a diameter which is wider than the slot 5554. The elongate slot 5554 and the ends 5555 can be positioned along, and/or centered along, a longitudinal axis 5559. The slot 5554 and the ends 5555 can define two opposing tabs 5553 which can be configured to engage a leg of a fastener and deflect as the fastener leg is inserted therethrough. Ends 5555 having a larger perimeter, or diameter, can define longer tabs 5553 which can be more flexible than tabs 5553 defined by ends 5555 having a smaller perimeter, or diameter. The ends 5555 can have the same perimeter and diameter and, for example, each tab 5553 can be symmetrical about an axis which is perpendicular, or at least substantially perpendicular, to the longitudinal axis 5559. Alternatively, the ends 5555 can have different perimeters and/or diameters wherein, each tab 5553 may not be symmetrical about its axis. For example, the tabs 5553 may twist about their axes as the fastener leg is inserted through the retention aperture 5552. Referring now to FIG. 106, a retention matrix, such as retention matrix 5650, for example, can comprise a plurality of retention apertures 5652. Each retention aperture 5652 can comprise an elongate slot 5654 comprising circular, or at least substantially circular, ends 5655. For example, the elongate slot 5654 and the ends 5655 can be positioned along, and/or centered along, a longitudinal axis 5659. Optionally, each end 5655 can be defined by a diameter which is the same as, or at least substantially the same as, the width of the slot 5654.

[0676] Referring now to FIG. 107, a retention matrix, such as retention matrix 5750, for example, can comprise a plurality of retention apertures 5752. Each retention aperture 5752 can comprise a plurality of slots, such as slots 5754, for example, having enlarged ends 5755. For example, the slots 5754 and the ends 5755 can be positioned along and/or centered along longitudinal axes 5759. The axes 5759 can extend in directions which are perpendicular or transverse to one another. The slots 5754 and the ends 5755 can define four tabs 5753, for example, which can be configured to engage a fastener leg and deflect when the fastener leg is inserted through the retention aperture 5752. Each tab 5753 can comprise a triangular, or at least substantially triangular, configuration, such as an equilateral triangle, for example. Alternatively, referring now to FIG. 108, a retention matrix, such as retention matrix 5850, for example, can comprise a plurality of retention apertures 5852. Each retention aperture 5852 can comprise a plurality of slots, such as slots 5854, for example, having ends 5855, wherein the slots 5854 and the ends 5855 can be positioned along and/or centered along longitudinal axes 5859. The axes

END6843WOPCT3

5859 can extend in directions which are perpendicular or transverse to one another. The slots 5854 and the ends 5855 can define tabs 5853 which can be configured to engage a fastener leg and deflect when the fastener leg is inserted through the retention aperture 5852. Each tab 5853 can comprise an arcuate profile. More particularly, each tab 5853 can comprise a curved end, as opposed to a pointed end depicted in FIG. 105, which can be configured to contact the fastener leg.

[0677] Referring now to FIG. 109, a retention matrix, such as retention matrix 5950, for example, can comprise a plurality of retention apertures 5952. Each retention aperture 5952 can comprise a plurality of slots, such as slots 5954, for example, wherein each slot 5954 can extend along, and/or can be centered along, an axis 5959. The axes 5959 can be transverse to each other and, for example, the axes 5959 can be arranged such that all of the axes 5959 extend through a center of the retention aperture 5952 and are spaced equidistantly, or at least substantially equidistantly, from each other. Each slot 5954 can comprise an open end facing the center of the retention aperture 5952 and a second, or closed, end 5955 at the opposite end of the slot 5954. Similar to the above, the slots 5954 and the ends 5955 can define three tabs 5953, for example, which can be configured to engage a fastener leg and deflect when the fastener leg is inserted into the retention aperture 5952. Optionally, each tab 5953 can comprise an arcuate configuration extending between adjacent ends 5955 of the slots 5954. Referring now to FIG. 110, a retention matrix, such as retention matrix 6050, for example, can comprise a plurality of retention apertures 6052. Each retention aperture 6052 can comprise a tab 6053 which can be configured to engage a fastener leg and to deflect when the fastener leg is inserted into the retention aperture 6052. For example, the tab 6053 can comprise a base fixed to the retention matrix body 6058 and a free end comprising an arcuate or curved profile 6056 which can be configured to contact the fastener leg. The fastener leg can be a staple leg comprised of a round wire wherein the curved profile 6056 can be configured to match, or at least substantially match, a curved outer surface of the round wire.

[0678] Referring again to FIG. 110, the retention matrix body 6058 can comprise a plurality of slots 6054 and apertures 6055 which can be configured to define the tab 6053 and various portions of the retention aperture 6052. The tab 6053 can comprise a rectangular configuration comprising parallel, or at least substantially parallel, sides. Referring now to FIG. 111, a retention matrix, such as retention matrix 6150, for example, can comprise a plurality of

END6843WOPCT3

retention apertures 6152. Each retention aperture 6152 can comprise a tab 6153 which can be configured to engage a fastener leg and to deflect when the fastener leg is inserted into the retention aperture 6152. For example, the tab 6153 can comprise a base fixed to the retention matrix body 6158 and a free end comprising an arcuate or curved profile 6156 which can be configured to contact the fastener leg. The retention matrix body 6158 can comprise a plurality of slots 6154 and apertures 6155 which can be configured to define the tab 6153 and various portions of the retention aperture 6152. The tab 6153 can comprise a tapered configuration comprising arcuate sides. For example, the tab 6153 can taper geometrically with the base being wider than the free end, for example.

[0679] Optionally, as described above, a fastening system can comprise a plurality of staples comprising staple legs which are inserted through a plurality of retention apertures in a retention matrix. As described in greater detail below, the staples can be held in a first jaw and the retention matrix can be held in a second jaw, wherein at least one of the first jaw and the second jaw can be moved toward the other. In various circumstances, the staples positioned within the first jaw can be secured therein such that the staple legs are aligned with the retention apertures when the retention matrix is engaged with the staple legs. Referring to FIGS. 112 and 113, a fastener system can comprise a staple cartridge 6200, for example, positioned in a first jaw of a surgical stapler and a retention matrix 6250, for example, positioned in a second jaw of the surgical stapler. Referring now to FIGS. 119 and 120, further to the above, the retention matrix 6250 can comprise a plurality of retention apertures 6252, wherein each retention aperture 6252 can comprise a perimeter 6256 defined by one or more deflectable members 6253. For example, further to the above, the deflectable members 6253 defining each aperture 6252 can define a pocket 6201. Optionally, each pocket 6201 can comprise a curved and/or concave surface, for example, which can be configured to guide a tip of a staple leg into the aperture 6252 in the event that the staple leg is misaligned with the retention aperture 6252 and initially contacts the deflectable members 6253 and/or the tissue-contacting surface 6251, for example.

[0680] Further to the above, the fastening system can further comprise a plurality of staples 6220 comprising staple legs 6221 which can be inserted through the retention apertures 6252 in the retention matrix 6250. For example, each staple 6220 can comprise a substantially U-shaped configuration, for example, comprising a base 6222 from which the staple legs 6221 can extend upwardly. Referring now to FIGS. 115 and 116, the retention apertures 6252 in the retention

END6843WOPCT3

matrix 6250 can be arranged in two parallel, or at least substantially parallel, longitudinal rows, for example, which can extend along, or parallel to, a longitudinal axis of the retention matrix. The retention apertures 6252 in a first row can be offset, or staggered, with respect to the retention apertures 6252 in a second row. For example, each staple 6220 can comprise a first staple leg 6221 positioned in a retention aperture 6252 in the first row of and a second staple leg 6221 positioned in a retention aperture 6252 in the second row wherein, as a result, the bases 6222 can extend in a direction which is transverse to the longitudinal axis of the retention matrix 6250. For example, the staples 6220 can be parallel, or at least substantially parallel, to one another. More particularly, a base 6222a of a staple 6220a be parallel to, or at least substantially parallel to, a base 6222b of a staple 6220b which can be parallel to, or at least substantially parallel to, a base 6222c of a staple 6220c, for example. The staple legs 6221a of staple 6220a can define a plane which is parallel to, or at least substantially parallel to, a plane defined by the staple legs 6221b of staple 6220b which can be parallel to, or at least substantially parallel to, a plane defined by the staple legs 6221 of staple 6220c, for example.

[0681] Referring now to FIGS. 112 and 114, the staple cartridge 6200 can comprise a plurality of staples 6220 and, in addition, an alignment matrix 6260 comprising a plurality of alignment guides, such as slots, grooves, and/or apertures, for example, which can be configured to align the staples 6220. In various circumstances, the alignment matrix 6260 can be configured such that the staple legs 6221 of the staples 6220 are aligned with the retention apertures 6252 in the retention matrix 6250 before the retention matrix 6250 is engaged with the staple legs 6221. Referring now to FIGS. 117 and 118, the alignment matrix 6260 can comprise a plurality of alignment apertures 6262 which can be configured to closely receive the staple legs 6221 of the staples 6220. For example, each staple 6220 can comprise a base 6222 and two staple legs 6221 extending from the base 6222 wherein the bases 6222 of the staples 6220 can extend around a bottom surface 6264 of the retention matrix 6260 and the staple legs 6221 can extend upwardly through the alignment apertures 6262. Each alignment aperture 6262 can be circular, or at least substantially circular, and can be defined by a diameter which is equal to or slightly larger than the diameter of the staple leg 6221 extending therethrough. The alignment matrix 6260 can further comprise a plurality of raised members 6263 which can extend upwardly from the top surface 6261 of the alignment matrix 6260 and surround, or at least partially surround, the alignment apertures 6262. The raised members 6263 can provide for longer alignment apertures

END6843WOPCT3

6262 wherein, in various circumstances, longer apertures 6262 can provide more control over the alignment of the staple legs 6221 than shorter apertures 6262.

[0682] In use, a first jaw supporting the staple cartridge 6200 can be positioned on one side of the tissue that is to be stapled and a second jaw supporting the retention matrix 6250 can be positioned on the other side of the tissue. Once the jaws have been suitably positioned relative to the tissue, the second jaw and the retention matrix 6250 can be moved toward the staple cartridge 6200. As the staple legs 6221 are being inserted through the retention apertures 6252 of the retention matrix 6250a tissue-contacting, or bottom, surface 6251 of the retention matrix 6250 can contact the tissue and press the tissue against the tissue-contacting, or top, surface 6261 of the alignment matrix 6260. Alternatively, as described in greater detail further below, the staple cartridge 6200 can further comprise a compressible cartridge body positioned above the top surface 6261 of the alignment matrix 6260, for example, which can contact the tissue. Referring again to FIGS. 114 and 118, the alignment matrix 6260 can further comprise one or more apertures 6203 defined therein which, when the alignment matrix 6260 is positioned against tissue, can be configured to receive a portion of the tissue therein. Where a compressible cartridge body is positioned above and/or against the alignment matrix 6260, a portion of the compressible cartridge body can enter into the apertures 6203 when the cartridge body is compressed. Similarly, the retention matrix 6250 can comprise a plurality of apertures 6202 which can be configured to receive at least a portion of the tissue therein when the retention matrix 6250 is positioned against the tissue.

[0683] As the staple legs 6221 of the staples 6220 are inserted through the retention apertures 6252 of the retention matrix 6250, further to the above, the tips of the staple legs 6221 may protrude upwardly from the top surface 6257 of the retention matrix 6250. In various circumstances, as described above, the tips of the staple legs 6221 may remain unbent after they have been inserted through the retention apertures 6252. Referring now to FIGS. 121-124, a fastening system comprising the staple cartridge 6200 and the retention matrix 6250 may further comprise a plurality of protective caps or covers, such as caps 6270, for example, which can be assembled to the staple legs 6221 protruding above the retention matrix 6250. Optionally, each cap 6270 can entirely, or at least partially, cover the sharp end of a staple leg 6221 such that the sharp end does not contact tissue positioned adjacent thereto. Referring now to FIG. 124, each cap 6270 can comprise an aperture 6271 defined therein which can be configured to closely

END6843WOPCT3

receive a tip of a staple leg 6221 therein. The caps 6270 can be comprised of an elastomeric material, such as silicone, polyisoprene, sanoprene, and/or natural rubber, for example. The aperture 6271 can comprise a perimeter or diameter which is smaller than the perimeter or diameter of the staple leg 6221 inserted therein. For example, the aperture 6271 in the protective cap 6270 can expand in order to receive the staple leg 6221 therein. Alternatively, the caps 6270 may not comprise apertures and the tips of the staple legs 6221 can be configured to incise the caps 6270 as the legs 6221 are inserted therein. In any event, each cap 6270 can be seated onto a staple leg 6221 until the base 6272 of the cap 6270 abuts, or is positioned adjacent to, the top surface 6257 of the retention matrix 6250. In various circumstances, the caps 6270 can be configured such that they are seated snugly onto the tips of the staple legs 6221 such that they are not easily removed therefrom. Each cap 6270 can comprise a conical, or at least substantially conical, outer surface, for example. The caps 6270 can comprise any suitable shape, such as shapes comprising a parabolic, or at least substantially parabolic, outer surface, for example.

[0684] The fastener system described above, for example, could be deployed using the surgical stapler depicted in FIGS. 125-127, for example. The end effector can comprise a first jaw, or staple cartridge channel, 6230 which can be configured to support the staple cartridge 6200 therein and a second jaw 6240 which can be configured to support the retention matrix 6250 and the plurality of protective caps 6270. Referring primarily to FIG. 125, which illustrates the second jaw 6240 in an open configuration, the jaws 6230 and 6240 can be positioned relative to tissue T such that the tissue T is positioned intermediate the retention matrix 6250 and the staple cartridge 6200. Optionally, as discussed above, the staple cartridge 6200 can further comprise a compressible cartridge body, such as cartridge body 6210, for example, in which the staples 6220 and the alignment matrix 6260 can be positioned. For example, the tissue T can be positioned against a top surface of the cartridge body 6210. The second jaw 6240 can comprise a plurality of recesses, or apertures, 6245 configured to receive the plurality of protective caps 6270 and, in addition, one or more retention features, or retainers, which can be configured to hold the retention matrix 6250 in position over the caps 6270. For example, the retention matrix 6250 can be configured to retain the caps 6270 in the apertures 6245. Referring now to FIG. 137, each aperture 6245 can be configured to receive a portion of, or the entirety of, a cap 6270 therein. The apertures 6245 can be sufficiently sized and configured such that the caps 6270 can be secured therein by at least one of a press-fit and/or snap fit arrangement, for example. At least

END6843WOPCT3

one adhesive could be utilized to secure the caps 6270 in the apertures 6245. For example, such an adhesive could be selected such that caps 6270 can detach from the second jaw 6240 after the caps 6270 have been engaged with the staple legs 6221 and the second jaw 6240 is moved away from the implanted fastener assembly. Referring now to FIG. 138, the second jaw 6240 can further comprise at least one cover sheet 6246 which can be assembled to the second jaw 6240 and can extend over and retain the caps 6270 in the apertures 6245. For example, at least a portion of the cover sheet 6246 can be secured to the jaw 6240 utilizing at least one adhesive, for example. In use, the cover sheet 6246 can be at least partially detached from the jaw 6240 before the end effector is inserted into a surgical site. The cover sheet 6246 can be comprised of an implantable material, such as PDS and/or PGA, for example, which can be incised by the staple legs 6221 as the staple legs 6221 emerge from the retention matrix 6250. For example, the cover sheet 6246 can be secured in the fastening system intermediate the covers 6270 and the retention matrix 6250.

[0685] Further to the above, referring now to FIG. 126, the jaw 6240 can be moved from an open position to a closed position in which the tissue T is positioned against the retention matrix 6250 and the cartridge body 6210. In such a position, the retention matrix 6250 may not yet be engaged with the staples 6220. The jaw 6240 can be moved between its open position and its closed position by an actuator 6235. For example, the jaw 6240 can comprise a distal pin 6243 and a proximal pin 6244 extending therefrom, wherein the distal pin 6243 can slide vertically, or at least substantially vertically, within a distal slot 6233 defined in the cartridge channel 6230, and wherein the proximal pin 6244 can slide vertically, or at least substantially vertically, within a proximal slot 6234 which is also defined in the staple cartridge channel 6230. In use, the actuator 6235 can be retracted proximally in order to drive the pins 6243 and 6244 into the upper ends of their respective slots 6233 and 6234 as illustrated in FIG. 126. For example, the actuator 6235 can comprise a distal drive slot 6236 and a proximal drive slot 6237, wherein the sidewalls of the drive slots 6236 and 6237 can be configured to contact the distal pin 6243 and the proximal pin 6244, respectively, and drive the pins 6243 and 6244 upwardly as the actuator 6235 is moved proximally. More particularly, as the actuator 6235 is moved proximally, the distal pin 6243 can slide up an inclined first portion 6236a of the distal drive slot 6236 into an intermediate, or second, portion 6236b and, similarly, the proximal pin 6244 can slide up an inclined first portion 6237a of the distal drive slot 6237 into an intermediate, or second, portion

END6843WOPCT3

6237b. As the pins 6243 and 6244 are both moved upwardly, the jaw 6240 can be rotated downwardly toward the tissue T into a closed position.

[0686] Further to the above, referring now to FIG. 127, the actuator 6235 can be pulled further proximally in order to push the second jaw 6240 downwardly toward the first jaw 6230, compress the cartridge body 6210, and engage the retention matrix 6250 and the plurality of protective caps 6270 with the staple legs of the staples 6220. For example, the additional proximal movement of the actuator 6235 can cause the sidewalls of the drive slots 6236 and 6237 to contact the pins 6243 and 6244, respectively, and drive the pins 6243 and 6244 downwardly toward the bottom ends of the slots 6233 and 6234, respectively. In such circumstances, the actuator 6235 can be pulled proximally such that, one, the distal pin 6243 exits the second portion 6236b of the drive slot 6236 and enters into an inclined third portion 6236c and, similarly, the proximal pin 6244 exits the second portion 6237b of the drive slot 6237 and enters into an inclined third portion 6237c. As the pins 6243 and 6244 are both moved downwardly, the second jaw 6240 can move downwardly toward the first jaw 6230 into a fired position. For example, the second jaw 6240 can be moved downwardly such that the retention matrix 6250 remains parallel, or at least substantially parallel, to the top surface of the cartridge body 6210 and/or parallel, or at least substantially parallel, to the alignment matrix 6260. In any event, once the retention matrix 6250 and the protective caps 6270 have been engaged with the staple legs 6221 of the staples 6220, as illustrated in FIG. 129, the second jaw 6240 can be returned to an open, or an at least substantially open, position. For example, the actuator 6235 can be pushed distally in order to drive the pins 6243 and 6244 to the top ends of the slots 6233 and 6234, respectively, and then driven downwardly toward the bottom ends of the slots 6233 and 6234 once the pins have passed through the intermediate portions 6236b and 6237b of the respective drive slots 6236 and 6237. Once the second jaw 6240 has been opened, the first jaw 6230 can be detached from the implanted staple cartridge 6200 and the first and second jaws 6230, 6240 can be removed away from the implanted fastener assembly, as illustrated in FIG. 128.

[0687] Referring to FIG. 127 once again, the reader will note that the pins 6243 and 6244 are not illustrated as being seated in the very bottoms of their respective slots 6233 and 6234 even though the retention matrix 6250 and the caps 6270 have been engaged with the staple legs 6221. Such circumstances can arise when thick tissue T is positioned between the retention matrix

END6843WOPCT3

6250 and the cartridge body 6210. In circumstances where thinner tissue T is positioned between the retention matrix 6250 and the cartridge body 6210, referring now to FIG. 130, the pins 6243 and 6244 can be drive further downwardly into their respective slots 6233 and 6234 as illustrated in FIG. 132. In general, for example, the actuator 6235 can be pulled proximally in order to drive the pins 6243 and 6244 upwardly and downwardly through the progressions described above and illustrated in FIGS. 130-132 and, owing to the thinner tissue T, the retention matrix 6250 and the protective caps 6270 can be driven further onto the staple legs 6221 of the staples 6220, as illustrated in FIGS. 133 and 134. Optionally, as a result of the adjustability afforded by the retention matrix 6250, the same, or at least substantially the same, compressive pressure can be obtained in the fastened tissue regardless of whether the tissue captured within the end effector is thick or thin. The adjustability afforded by the retention matrix 6250 can allow a surgeon can select whether to apply a larger compressive pressure or a smaller compressive pressure to the tissue by selecting the depth to which the retention matrix 6250 is seated. For example, the range in which the retention matrix 6250 can be seated onto the staple legs 6221 can be determined by the lengths, or ranges, of the slots 6233 and 6234, for example.

[0688] Optionally, as described above, the protective caps 6270 can be comprised of a soft or flexible material, for example, which can be configured to grip the ends of the staple legs 6221. The protective caps 6270 can be comprised of a bioabsorbable plastic, polyglycolic acid (PGA) which is marketed under the trade name Vicryl, polylactic acid (PLA or PLLA), polydioxanone (PDS), polyhydroxyalkanoate (PHA), poliglecaprone 25 (PGCL) which is marketed under the trade name Monocryl, polycaprolactone (PCL), and/or a composite of PGA, PLA, PDS, PHA, PGCL and/or PCL, for example, and/or a biocompatible metal, such as titanium and/or stainless steel, for example. As illustrated in FIG. 124, each cap 6270 can be unconnected to the other caps 6270. Alternatively, one or more caps 6270 can be mounted to the retention matrix 6250. For example, the caps 6270 can be connected to the retention matrix 6250 by at least one adhesive, for example, wherein the apertures 6271 in the caps 6270 can be aligned, or at least substantially aligned, with the retention apertures 6252 in the retention matrix 6270. Referring now to FIG. 135, a protective cap, such as a cap 6370, for example, can define an inner cavity, or dome, 6374 which can be configured to receive a tip of a staple leg 6221, for example, therein. For example, the cap 6370 can comprise a bottom 6372 and an aperture 6371 extending through the bottom 6372. The aperture 6371 can be defined by one or more deflectable members 6373

END6843WOPCT3

which can be configured to deflect when the staple leg 6221 is inserted therethrough. Two or more caps 6370, for example, can be connected together to form an array of caps 6370. For example, referring now to FIG. 136, a plurality of caps 6370 can be connected together by a sheet of material 6375. The sheet 6375 can be sufficiently rigid in order to maintain a desired arrangement and/or alignment of the caps 6370. The caps 6370 can be comprised of a biocompatible metal, such as titanium and/or stainless steel, for example, and the sheet 6375 can be comprised of a bioabsorbable plastic, polyglycolic acid (PGA) which is marketed under the trade name Vicryl, polylactic acid (PLA or PLLA), polydioxanone (PDS), polyhydroxyalkanoate (PHA), poliglecaprone 25 (PGCL) which is marketed under the trade name Monocryl, polycaprolactone (PCL), and/or a composite of PGA, PLA, PDS, PHA, PGCL and/or PCL, for example. According to the invention, a sheet 6375 can be comprised of a bioabsorbable material including an anti-microbial agent, such as colloidal silver and/or triclosan, for example, stored and/or dispersed therein which can be released as the sheet 6375 is bioabsorbed, for example.

[0689] Further to the above, the sheet 6375 can be injection molded around the caps 6370 utilizing an injection molding process, for example, such that the caps 6370 are embedded in the sheet 6375. The sheet 6375 can be molded utilizing an injection molding process, for example, wherein apertures 6376 can be formed in the sheet 6375 during the injection molding process and/or after the injection molding process utilizing a stamping process, for example. In either event, the caps 6370 can be inserted into and secured in the apertures 6376 utilizing a press-fit and/or snap-fit interconnection and/or at least one adhesive. Each cap 6370 can comprise an annular groove surrounding, or at least partially surrounding, the perimeter of the cap 6370 which can be configured to receive the perimeter of an aperture 6376 therein. The sheet 6375 can be comprised of a flexible and/or pliable material which can permit relative movement between the caps 6370. For example, the flexible sheet 6375 can be comprised of a rubber, plastic, and/or silicone material, for example, and the caps 6370 can be comprised of a rigid material, such as metal, for example. For example, similar to the above, the flexible material can be molded around the caps 6370. The caps 6370 can be pressed into a pre-molded sheet 6375, for example. The durometer of the flexible material can be selected to provide a desired stiffness of the sheet 6375. The sheet 6375 can be configured such that it comprises a flexible band. In any event, the sheet 6375 can facilitate the assembly of the caps 6370 into an end effector as a plurality of the caps 6370 can be positioned and/or aligned simultaneously within the end effector. Furthermore,

END6843WOPCT3

the sheet 6375 connecting the caps 6370, once implanted, can strengthen or bolster the tissue along the staple line, for example. In addition to or in lieu of a sheet connecting the caps 6370, the caps 6370 can be connected together by a plurality of links. For example, such links can be flexible and can permit relative movement between the caps 6370.

[0690] Referring now to FIGS. 139 and 140, a protective cap, such as cap 6470, for example, can comprise a forming surface which can be configured to deform a tip of a staple leg. For example, the cap 6470 can comprise a base 6472 which can include an aperture 6471 extending therethrough. The aperture 6471 can be configured to closely receive a staple leg, such as a staple leg 6221, for example, therein. The aperture 6471 can be defined by a diameter or perimeter which can be equal to or larger than the diameter or perimeter of the staple leg 6221. The cap 6470 can further comprise a cavity, or dome, 6474 which can be configured to receive the tip of the staple leg 6221 as it is inserted into the cap 6470. Referring primarily to FIG. 140, the cap 6470 can further comprise an anvil, or forming surface, 6473 which can be configured to deflect and deform the staple leg 6221. In various circumstances, the forming surface 6473 can be curved and/or concave, for example, and can be configured to curl the staple leg 6221 as it is inserted into the cap 6470. The staple leg 6221 can be sufficiently deformed such that it cannot be withdrawn through the aperture 6471 and, as a result, the cap 6470 can become locked to the staple leg 6221. For example, the base 6472 of the cap 6470 can define a lip extending around the aperture 6471 which can prevent the deformed staple leg 6221 from being removed from the cavity 6474. In various circumstances, as a result of the above, one or more caps 6470 can prevent, or inhibit, a retention matrix, such as retention matrix 6250, for example, from backing up or being disengaged from the staples 6220. Optionally, although not illustrated, the cap 6470 can be symmetrically, or at least substantially symmetrically, formed, and the aperture 6471 can be located along a central axis 6479 extending through the cap 6470. Alternatively, referring again to FIG. 139, the aperture 6471 can be offset with respect to the central axis 6479. For example, the offset aperture 6471 can allow the staple leg 6221 to contact a side of the forming surface 6473 and curl over to the other side of the forming surface 6473 instead of contacting the center of the forming surface 6473, as may occur in embodiments comprising a centered aperture 6471 mentioned above.

[0691] Optionally, as discussed above, a retention matrix, such as retention matrix 6250, for example, can be comprised of a sheet of material and a plurality of retention apertures 6252

END6843WOPCT3

extending therethrough. The sheet of material comprising the retention matrix 6250 can be rigid or substantially inflexible. Alternatively, a retention matrix can be comprised of an array of retention matrix elements and a plurality of flexible connectors, or links, connecting the retention matrix elements. Referring now to FIG. 141, a retention matrix, or a portion of retention matrix, 6550 can comprise a plurality of element bodies 6505 which can be connected together by one or more connecting links 6507. Each element body 6505 can comprise a plurality of deformable members 6553 which define a retention aperture 6552 therein. The element bodies 6505 and the connecting links 6507 of a retention matrix 6550 can be integrally formed and can comprise a unitary piece of material. The retention matrix 6550 can be stamped or cast, for example, from a metal material, such as titanium and/or stainless steel, for example. The retention matrix 6550 can be comprised of plastic, such as polyetheretherketone (PEEK), polypropylene which is marketed under the trade name Prolene, polyester, polyethylene terephthalate which is marketed under the trade names Ethibond and Mersilene, polyvinylidene fluoride, polyvinylidene fluoride-co-hexafluoropropylene, poly hexafluoropropylene-VDF which is marketed under the trade name Pronova, and/or long-chain aliphatic polymers Nylon 6 and Nylon 6,6 which are marketed under the trade names Ethilon & Nurolon, for example, and can be formed by an injection molding process, for example. The element bodies 6505 may not be integrally formed with the connecting links 6507. According to the invention, a plurality of singular element bodies 6505 can be produced which are subsequently connected together and embedded in a retention matrix. For example, the element bodies 6505 can be stamped from a metal material, such as titanium and/or stainless steel, for example, and placed in a plastic injection mold wherein a plastic material can be injected into the mold to form, one, a rim 6506 of material surrounding, or at least partially surrounding, the element bodies 6505 and, two, connecting links 6507 extending from the rims 6506. Alternatively, one or more connector lattices can be formed comprising apertures defined within a plurality of rims 6506 wherein each such aperture can be configured to receive an element body 6505 therein. Each element body 6505 can comprise a circular, or at least substantially circular, outer perimeter and, similarly, each rim 6506 can define a circular, or at least substantially circular, aperture therein, wherein the diameter of the aperture can be equal to or smaller than the diameter of the element body 6505. For example, the element bodies 6505 can be press-fit or embedded into the apertures in the rims 6505. The element bodies 6505 can be secured in the apertures utilizing at least one adhesive.

END6843WOPCT3

[0692] Further to the above, a retention matrix can comprise a plurality of element bodies 6505 and a plurality of connecting links 6507 which can connect the element bodies 6505 in any suitable array, such as those illustrated in FIGS. 142-145, for example. Regardless of the pattern of the array, the connecting links 6507 can be configured to allow the element bodies 6505 and the retention apertures 6552 to move relative to one another. For example, the lattice of element bodies 6505 and connecting links 6507 comprising the retention matrix 6550, once engaged with tissue, can be configured to stretch, twist, contract, and/or otherwise flex in order to permit at least some movement within the tissue yet, at the same time, resist larger movements thereof. Optionally, each connecting link 6507 can comprise a flexible member configured to stretch, twist, and/or contract in order to permit the retention matrix 6550 to flex intermediate the matrix retention elements 6505, for example. Referring again to FIG. 141, each link 6507 extending from a rim 6506 can be defined by a width which is narrower than the width of the element body 6505 and/or the rim 6506. Referring to FIGS. 142-145, one or more links 6507 can comprise straight portions which extend along a line between adjacent element bodies 6506, for example. For example, each link 6507 can comprise a first end attached to a first rim 6506 and a second end attached to a second rim 6506. Referring once again to FIG. 141, two or more links 6507 can be connected to one another. For example, two or more links 6507 can be connected at an intermediate hinge 6509, for example. The hinge 6509 can comprise a reduction in cross-sectional thickness in one or more directions as compared to the cross-sectional thickness of the links 6507 which can permit the connected links 6507 to move relative to each other, for example. The retention matrix 6550 can further comprise hinges 6508 which can connect the links 6507 to the rims 6506 and permit relative movement between the links 6507 and the rims 6506. Similar to hinges 6509, hinges 6508 can comprise a reduction in cross-sectional thickness in one or more directions as compared to the cross-sectional thickness of the links 6507, for example.

[0693] Further to the above, the connected links 6507 can extend in different directions. For example, a first link 6507 can extend in a first direction and a second link 6507 can extend in a second direction, wherein the first direction can be different than the second direction. The first link 6507 can extend along a first line and the second link 6507 can extend along a second line, wherein the first line and the second line can intersect each other at an angle, such as approximately 30 degrees, approximately 45 degrees, approximately 60 degrees, and/or

END6843WOPCT3

approximately 90 degrees, for example. The hinges 6508 and/or hinges 6509 can comprise living hinges which can permit the links 6507 to move relative to each other a number of times without breaking. The hinges 6508 and/or hinges 6509 can comprise frangible, or easily-breakable, portions which can break when flexed too far and/or flexed too many times. For example, such frangible portions can permit one or more portions of the retention matrix 6550 to break away from another portion of the retention matrix 6550. The hinges 6508 and/or hinges 6509, for example, can comprise sections of the retention matrix 6550 which are easier to incise than the other portions of the retention matrix 6550. More particularly, an implanted retention matrix, and the tissue fastened by the implanted retention matrix, may oftentimes be incised by a cutting member for various reasons and, in order to facilitate such cross-cutting, the hinges 6508 and/or hinges 6509 can provide avenues, or thin sections, through which a cutting member can more easily pass through the retention matrix 6550, for example. Further to the above, the connecting links 6507 can comprise one or more coined features or material upsets, for example, defined therein which can facilitate the bending, breakage, and/or incision of the connecting links 6507.

[0694] According to the invention, a retention matrix can comprise a plurality of retention matrix elements, such as matrix element bodies 6505, for example, which can be embedded in a flexible sheet, or band, of material. A flexible sheet of material can be formed from a bioabsorbable, elastomeric material, such as silicone, for example, wherein the flexible sheet can be produced with a plurality of apertures defined therein. For example, a solid flexible sheet can be molded and a plurality of apertures can be punched out of the flexible sheet. Alternatively, the flexible sheet can be molded and the apertures defined therein can be formed during the molding process. In either event, the retention matrix elements 6505, for example, can be inserted into and retained within the flexible sheet. Alternatively, similar to the above, the flexible sheet can be formed around the matrix elements 6505. The flexible sheet can be comprised of a woven mesh, for example, and/or any other suitable material. Such a woven mesh, further to the above, may be easy to cross-cut.

[0695] Referring now to FIGS. 146 and 147, a fastener system comprising a retention matrix, such as retention matrix 6250, for example, can further comprise a cover, such as cover 6670, for example, which can cover the tips of the staple legs 6221 when they extend above the top surface 6257 of the retention matrix 6250. The cover 6670 can be attached to the retention matrix 6250. The cover 6670 and/or the retention matrix 6250 can comprise retention features which can be

END6843WOPCT3

configured to retain the cover 6670 to the retention matrix 6250. At least one adhesive can be utilized to adhere the cover 6670 to the retention matrix 6250. The cover 6670 can be comprised of a single layer, although the cover 6670 is illustrated as comprising two layers as described in greater detail further below. Referring primarily to FIG. 147, the tips of the staple legs 6221 can extend through a bottom surface 6673 of the cover 6670; however, the cover 6670 can comprise a sufficient thickness such that the staple tips do not extend through the top surface 6675 of the cover 6670. For example, as a result, the tips of the staple legs 6221 may not protrude from the cover 6670. The cover 6670 can comprise a plurality of layers. For example, the cover 6670 can comprise a first layer 6671 and a second layer 6672. The first layer 6671 and the second layer 6672 can be attached to one another wherein, the second layer 6672 can comprise a bottom surface 6676 which is adhered to the first layer 6671. The first layer 6671 and the second layer 6672 can comprise different thicknesses while, They can comprise the same thickness. The first layer 6671 and the second layer 6672 can comprise substantially the same width and/or length. Alternatively, the layers 6671 and 6672 can comprise different widths and/or lengths.

[0696] Further to the above, the first layer 6671 can be comprised of a compressible foam, mesh material, and/or hydrogel, for example, which can be incised by the staple legs 6211. The second layer 6672 can be comprised of a tougher material, or skin, such as PGA and/or PDS, for example, and/or any suitable buttress material. For example, the staple legs 6221 can be configured to penetrate the first layer 6671; however, the staple legs 6221 may be unable to penetrate the second layer 6672. The second layer 6672 can be comprised of a material having a sufficient resiliency and/or toughness which can permit the second layer 6672 to be contacted and displaced by the staple leg 6221 but not be incised, or only marginally incised, by the staple tip of the staple leg 6221. Although not illustrated, a cover can comprise more than two layers wherein one or more of such layers may be penetration-resistant. In use, for example, the retention matrix 6250 can be positioned against the tissue to be fastened and pushed downwardly such that the staple legs 6221 of the staples 6220 are pushed through the tissue T and the retention apertures 6252 in the retention matrix 6250 and enter into the first layer 6271 of the cover 6270. The tips of the staple legs 6221 may not enter, or at least substantially enter, into the second layer 6272 of the cover 6270. After the retention matrix 6250 has been suitably positioned, the jaw 6240 can be opened and the cover 6670 and the retention matrix 6250 can detach from the jaw 6240 as illustrated in FIG. 146. As illustrated in FIG. 146, a jaw 6640 can be

END6843WOPCT3

configured to hold more than one retention matrix 6250 and cover 6670. For example, the jaw 6640 can comprise two channels 6679 which each can be configured to receive a cover 6670 therein and a retention matrix 6250 positioned thereover such that the tissue-contacting surface 6251 of each retention matrix 6250 depends downwardly from the bottom of the jaw 6240. For example, a retention matrix 6250 and a cover 6270 can be housed in the jaw 6640 on each side of a knife slot 6678. In use, both retention matrices 6250 and covers 6670 can be deployed simultaneously and/or to the same depth with respect to opposing staple cartridges, such as cartridges 6200, for example, positioned thereacross. Thereafter, the fastened tissue can be incised along a cutting line by a cutting member that traverses the knife slot 6678 wherein the jaw 6640 can then be re-opened. The covers 6670 may not be attached to the retention matrix 6250. For example, the covers 6670 can be positioned in the channels 6679 and can be retained in the channels 6679 by the retention matrices 6250 which can be secured to the jaw 6640. The each retention matrix 6250 can be wider and/or longer than their respective covers 6670 such that the retention matrices 6250 can retain the entirety of their covers 6670 in position. Each retention matrix 6250 can comprise the same width and/or length as their respective cover 6670, for example.

[0697] Optionally, as described above, a fastener system can comprise a layer of material which can be attached to a retention matrix, such as retention matrix 6250, for example. Referring now to FIG. 150, a layer of material 6870 can be attached to the bottom surface 6251 of the retention matrix 6250. The layer 6870 and/or the retention matrix 6250 can comprise retention features which can be configured to retain the layer 6870 to the retention matrix 6250. At least one adhesive can be utilized to adhere the layer 6870 to the retention matrix 6250. In any event, the layer 6870 can comprise a bottom, or tissue-contacting, surface 6873 which can be configured to contact the tissue T when the retention matrix 6250 is moved downwardly toward the staples 6220 to engage the retention apertures 6252 with the staple legs 6221. For example, the layer 6870 can be comprised of a compressible material, such as a bioabsorbable foam, for example, which can be compressed between the bottom surface 6251 of the retention matrix 6250 and the tissue T. The layer 6870 can further comprise at least one medicament stored and/or absorbed therein which can be expressed from the layer 6870 as the layer 6870 is compressed. The medicament can comprise at least one tissue sealant, hemostatic agent, and/or anti-microbial material, such as ionized silver and/or triclosan, for example. The compression of the layer 6870

END6843WOPCT3

can squeeze the medicament from the layer 6870 such that the entirety of, or at least a significant portion of, the surface of the tissue T is covered with the medicament. Furthermore, as the layer 6870 is compressed and the staple legs 6221 penetrate the tissue T and the layer 6870, the medicament can flow down the staple legs 6221 and treat the tissue that has just been incised by the staple legs 6221, for example. The body of the retention matrix 6250 can comprise a first layer which is comprised of a biocompatible material, such as titanium and/or stainless steel, for example, and the bottom layer 6870 can comprise a second layer comprised of a bioabsorbable material, such as oxidized regenerated cellulose (ORC), biologically active agents like fibrin and/or thrombin (either in their liquid state or freeze dried), glycerin, absorbable porcine gelatin in either flue or foam configurations, and/or anti-microbials, such as ionized silver and/or triclosan, for example. Additional bioabsorbable materials can comprise Surgicel Nu-Knit, Surgicel Fibrillar, collagen/ORC which is a hybrid with a built in collagen matrix and is marketed under the trade name Promogran, polyglycolic acid (PGA) which is marketed under the trade name Vicryl, polylactic acid (PLA or PLLA), polydioxanone (PDS), polyhydroxyalkanoate (PHA), poliglecaprone 25 (PGCL) which is marketed under the trade name Monocryl, polycaprolactone (PCL), and/or a composite of PGA, PLA, PDS, PHA, PGCL and/or PCL, for example. Although only one layer 6870 is illustrated in FIG. 150, any suitable number of layers could be used. A first layer comprising a first medicament could be attached to the retention matrix 6250 and a second layer comprising a second, or different, medicament could be attached to the first layer. For example, a plurality of layers could be used wherein each layer can comprise a different medicament and/or a different combination of medicaments contained therein.

[0698] Referring now to FIG. 148, a fastener system can comprise a layer of material 6770 attached to the bottom surface 6251 of the retention matrix 6250. The layer 6770 and/or the retention matrix 6250 can comprise retention features which can be configured to retain the layer 6770 to the retention matrix 6250. At least one adhesive can be utilized to adhere the layer 6770 to the retention matrix 6250. In any event, the layer 6770 can comprise a bottom, or tissue-contacting, surface 6773 which can be configured to contact the tissue T when the retention matrix 6250 is moved downwardly toward the staples 6220 to engage the retention apertures 6252 with the staple legs 6221. For example, the layer 6770 can be comprised of a compressible material, such as a bioabsorbable foam, for example, which can be compressed between the

END6843WOPCT3

surface 6251 of the retention matrix 6250 and the tissue T. The layer 6770 can further comprise one or more encapsulations, or cells, 6774 which can be configured to store at least one medicament therein. Referring to FIG. 149, the encapsulations 6774 can be aligned, or at least substantially aligned, with the retention apertures 6252 such that, when the staple legs 6221 are pushed through the tissue T and the layer 6770, the staple legs 6221 can puncture and/or otherwise rupture the encapsulations 6774. After the encapsulations 6774 have been ruptured, the at least one medicament M stored in the encapsulations 6774 can flow out onto the tissue T. For example, the medicament M can comprise a fluid which can flow or wick down the staple legs 6221 and treat the tissue T that was just incised by the staple legs. As a result of the above, the medicament stored within the encapsulations 6774 can provide a localized treatment to the tissue. The encapsulations 6774 in the sheet 6770 can comprise different medicaments stored therein. For example, a first group of encapsulations 6774 can comprise a first medicament, or a first combination of medicaments, stored therein and a second group of encapsulations can comprise a different medicament, or a different combination of medicaments, stored therein. The layer 6770 can be comprised of a flexible silicone sheet and the encapsulations 6774 can represent voids in the silicone sheet. For example, the silicone sheet can comprise two layers that can be attached to one another wherein the encapsulations 6774 can be defined between the two layers. The layer 6770 can comprise one or more thin sections or weakened portions, such as partial perforations, for example, which can facilitate the incision of the layer 6770 and the rupture of the encapsulations 6774 by the legs 6221. At least a portion of the encapsulations 6774 can be positioned within domes 6777, wherein the domes 6777 can extend upwardly from the sheet 6770. For example, the domes 6777 and/or at least a portion of the encapsulations 6774 can be positioned within the pockets 6201 formed within the retention matrix 6250. The encapsulations 6774 may comprise discrete cells which are unconnected to each other. Alternatively, one or more of the encapsulations 6774 can be in fluid communication with each other via one or more passageways, conduits, and/or channels, for example, extending through the layer 6770. The disclosure of U.S. Patent No. 7,780,685, entitled ADHESIVE AND MECHANICAL FASTENER, which issued on August 24, 2010, is hereby incorporated by reference in its entirety.

[0699] Further to the above, a staple cartridge comprising a cartridge body, staples, and/or an alignment matrix therein can be loaded into a first jaw of an end effector and, similarly, a

END6843WOPCT3

retention matrix and/or one or more covers can be loaded into a second jaw of the end effector. Referring now to FIG. 151, an instrument, such as cartridge loader 6990, for example, can be used to insert two or more fastener cartridges into an end effector at the same. The cartridge loader 6990 can comprise a handle 6991 and a cartridge carrier 6992, wherein the cartridge carrier 6992 can comprise a first retention portion configured to retain the cartridge body 6210 of the staple cartridge 6200 thereto and, in addition, a second retention portion configured to retain a cartridge body 6980 which supports, one, a plurality of protective caps 6270 therein and, two, a retention matrix 6250 along the bottom surface thereof, for example. The first and second retention portions can each comprise one or more retention members configured to releasably engage the cartridge bodies 6210 and 6980. In use, referring now to FIGS. 152 and 153, an end effector can comprise a first, or bottom, jaw 6230 and a second, or top, jaw 6940, wherein the staple cartridge 6200 can be loaded into the first jaw 6230 and the cartridge body 6980 can be loaded into the second jaw 6940. In various circumstances, the top jaw 6940 can be rotated from an open position (FIG. 152) to a closed position (FIG. 153) by an actuator 6235, wherein the operation of the actuator 6235 is described above and is not repeated herein for the sake of brevity. Once the top jaw 6940 is in its closed position, referring now to FIG. 153, the distal end 6993 of the cartridge carrier 6992 can be inserted into the end effector such that the staple cartridge 6200 is slid through the distal end 6938 of the first jaw 6930 and into a first attachment portion, or channel, 6939 in the first jaw 6230. Similarly, the distal end 6993 of the cartridge carrier 6992 can be inserted into the end effector such that the cartridge body 6980 is slid through the distal end 6948 of the second jaw 6940 and into a second attachment portion, or channel, 6949 in the second jaw 6940. A surgeon, or other clinician, holding the handle 6991 of the cartridge loader 6990 can push the staple cartridge 6200 and the cartridge body 6980 through the channels 6939 and 6949, respectively, until the staple cartridge 6200 and the cartridge body 6980 are fully seated therein.

[0700] As the staple cartridge 6200 and the cartridge body 6980 are being seated, the staple cartridge 6200 and the cartridge body 6980 can each engage one or more retention portions in their respective jaws 6230 and 6940, as described in greater detail further below. In any event, once the staple cartridge 6200 and the cartridge body 6980 have been seated, referring now to FIG. 154, the cartridge loader 6990 can be detached from the staple cartridge 6200 and the cartridge body 6980 and removed from the end effector. For example, the retention force holding

END6843WOPCT3

the staple cartridge 6200 in the first jaw 6230 can be greater than the retention force holding the staple cartridge 6200 to the cartridge carrier 6992 such that, as the cartridge carrier 6992 is pulled distally out of the end effector, the staple cartridge 6200 can remain behind in the first jaw 6230. Similarly, the retention force holding the cartridge body 6980 in the second jaw 6940 can be greater than the retention force holding the cartridge body 6940 to the cartridge carrier 6992 such that, as the cartridge carrier 6992 is pulled distally out of the end effector, the cartridge body 6940 can remain behind in the second jaw 6940. Once the cartridge loader 6990 has been removed from the end effector, the loaded first jaw 6230 and the loaded second jaw 6940 can be positioned relative to the tissue T that is to be stapled. Referring now to FIG. 155, the second jaw 6940 can be moved from an open position (FIG. 154) to a fired position (FIG. 155) in order to engage the retention matrix 6250 and the plurality of protective caps 6270 carried by the cartridge body 6980 with the staples 6220 positioned within the staple cartridge 6200.

[0701] Referring now to FIGS. 156 and 157, the second jaw 6940 can be re-opened and the plurality of protective caps 6270 and the retention matrix 6250 can detach from the cartridge body 6980 such that the caps 6270 and the retention matrix 6250 can remain engaged with the tissue T and the staple cartridge 6200. The cartridge body 6980 can comprise a plurality of pockets in which the plurality of caps 6270 can be removably positioned and one or more retention slots configured to removably retain the retention matrix 6250 thereto. The retention members of the second jaw 6940 engaged with the cartridge body 6980 can retain the cartridge body 6980 in the second jaw 6940 after the second jaw 6940 has been opened. The cartridge body 6980 can be configured to tear as the second jaw 6940 is opened such that a portion of the cartridge body 6980 is implanted with the caps 6270 and the retention matrix 6250 and a portion of the cartridge body 6980 remains in the second jaw 6940. Similarly, referring again to FIGS. 156 and 157, the retention members of the first jaw 6230 engaged with the cartridge body 6210 can retain the cartridge body 6210 in the first jaw 6230 after the second jaw 6940 has been opened. The cartridge body 6210 can be configured to tear as the first jaw 6230 is pulled away from the implanted cartridge 6200 such that a portion of the cartridge body 6210 is implanted with the staples 6220 and alignment matrix 6260 and a portion of the cartridge body 6210 remains in the first jaw 6230. Referring now to FIGS. 158-160, a staple cartridge, such as staple cartridge 6900, for example, can comprise one or more longitudinal retention slots 6913 extending along the length of the cartridge body 6910 which, when the staple cartridge 6900 is

END6843WOPCT3

inserted into a jaw 6930, for example, can be configured to receive one or more longitudinal retention rails 6916 extending from the jaw 6930 therein. In use, an end of the retention slots 6913 can be aligned with the distal ends of the retention rails 6916 before the staple cartridge 6900 is slid through the distal end 6938 of the retention channel 6939, for example.

[0702] Referring again to FIG. 160, the jaw 6940 can comprise two retention channels 6949, wherein each retention channel 6949 can be configured to receive a cartridge body 6980 comprising a plurality of caps 6270 and a retention matrix 6250 therein. Each cartridge body 6980 can comprise one or more longitudinal retention shoulders 6917 which can be configured to be slid along one or more longitudinal retention rails 6918 of the second jaw 6940 as the cartridge bodies 6980 are inserted into their respective retention channels 6949 in jaw 6940. The retention rails 6918 and the retention shoulders 6917 can co-operate to retain the cartridge body 6980 in the second jaw 6940 as the cartridge bodies 6980 are detached from the caps 6270 and the retention matrix 6250 stored therein. Referring now to FIG. 159, the second jaw 6940 can further comprise one or more distal bumps, or retention members, 6915 extending therefrom which can be configured to removably lock the cartridge bodies 6980 in their respective retention channels. For example, the second jaw 6940 can comprise a distal bump 6915 configured and positioned relative to each retention channel 6949 such that each cartridge body 6980 can flex around the bumps 6915 as the cartridge bodies 6980 are being inserted into the channels 6949 wherein, just as the cartridge bodies 6915 are being fully seated in the channels 6949, the distal ends of the cartridge bodies 6980 can clear and snap over the bumps 6915. In order to remove the cartridge bodies 6980 after they have been expended, as described above, the cartridge bodies 6980 can be pulled back over the bumps 6915 and removed from the retention channels 6949. Similar to the above, the first jaw 6930 can comprise one or more distal retention bumps 6914 extending therefrom which can be configured to be received in one or more retention grooves, or slots, 6912 (FIG. 158) in the cartridge body 6910 when the staple cartridge 6900 has been fully seated.

[0703] Further to the above, a first fastener cartridge comprising a plurality of first fasteners positioned therein can be positioned in a first jaw of a surgical fastening device and a second fastener cartridge comprising a plurality of second fasteners positioned therein can be positioned in a second jaw of the surgical fastening device. In use, the first jaw and/or the second jaw can be moved toward the other in order to engage the first fasteners with the second fasteners and secure

END6843WOPCT3

tissue therebetween. The first fastener cartridge and the second fastener cartridge can be engaged with each other as the first fasteners are engaged with the second fasteners. The body of the first fastener cartridge can be comprised of a first compressible material and the body of the second fastener cartridge can be comprised of a second compressible material, wherein the first body and/or the second body can be compressed against the tissue being fastened. After the tissue has been fastened, the first jaw can be moved away from the implanted first fastener cartridge and the second jaw can be moved away from the implanted second fastener cartridge. Thereafter, the first jaw can be reloaded with another first fastener cartridge, or the like, and the second jaw can be reloaded with another second fastener cartridge, or the like, and the surgical fastening instrument can be reused. While staples can be used, alternatives are envisioned comprising other types of fasteners, such as two-part fasteners which are locked together when they are engaged with one another, for example. For example, the first fastener cartridge can comprise a first storage portion for storing the first fastener portions and the second fastener cartridge can comprise a second storage portion for storing the second fastener portions. The fastening systems described herein can utilize fasteners comprising any suitable type of material and/or form. The fasteners can comprise penetrating members. Such penetrating members could be comprised of a polymer, a composite, and/or a multi-layered substrate, for example. An example of a multi-layered substrate could be a wire or a sheet substrate with an elastomeric or polymeric coating. It could be a thin sheet formed such that penetrating members are oriented perpendicular, or at least substantially perpendicular, to the connecting member. The penetrating members could comprise a rectangular profile, semi-circular profile, and/or any beam profile. The fasteners described herein can be manufactured utilizing any suitable process, such as a wire extruding process, for example. Another possibility is the use of microfabrication to create hollow penetrating members. These penetrating members could be fabricated from a process which is different than a wire extruded process and could use a combination of materials.

[0704] As described above, the tips of staple legs protruding through a retention matrix can be covered by one or more caps and/or covers. The tips of the staple legs can be deformed after they have been inserted through the retention matrix. A jaw holding the retention matrix can further comprise anvil pockets positioned above and/or aligned with the retention apertures which can be configured to deform the staple legs as they protrude above the retention matrix. The staple legs of each staple can be curled inwardly toward each other and/or toward the center of the

END6843WOPCT3

staple, for example. Alternatively, one or more of the staple legs of a staple can be curled outwardly away from the other staple legs and/or away from the center of the staple. Optionally, regardless of the direction in which the staple legs are curled, the tips of the staple legs can contact the body of the retention matrix and may not re-enter the tissue that has been fastened by the staples. The deformation of the staple legs after they have passed through the retention matrix can lock the retention matrix in position.

[0705] Referring now to FIGS. 161 and 162, a surgical stapling instrument, such as surgical stapler 7000, for example, can comprise a first jaw 7030 and a second jaw 7040, wherein the second jaw 7040 can be moved toward and away from the first jaw 7030 by the movement of actuator 6235. The operation of actuator 6235 is described above and is not repeated herein for the sake of brevity. The first jaw 7030 can comprise a distal end 7031 and a proximal end 7032, wherein the first jaw 7030 can define a channel extending between the distal end 7031 and the proximal end 7032 which is configured to receive a staple cartridge. For the purposes of illustration, the cartridge body of such a staple cartridge is not depicted in FIG. 161, although such a staple cartridge can comprise a cartridge body, staples 6220 positioned within the cartridge body, and staple drivers 7012 positioned underneath the staples 6220. Although not illustrated in FIG. 161 for the sake of clarity, the second jaw 7040 can be configured to hold a retention matrix, such as retention matrix 6250, for example, over the staples 6220 and/or move the retention matrix into engagement with the legs of the staples 6220 as described above. The surgical stapler 7000 can further comprise a sled 7010 positioned in the first jaw 7030 which can be slid from the distal end 7031 of the first jaw 7030 toward the proximal end 7032, for example, and lift the staple drivers 7012, and the staple 6220 supported thereon, toward the retention matrix and the second jaw 7040. Alternatively, the sled 7010 can be moved from the proximal end 7032 toward the distal end 7031 in order to deploy the staples 6020, for example. The sled 7010 can comprise one or more inclined ramps, or cams, 7011 which can be configured to slide underneath the staple drivers 7012 and lift the staple drivers 7012 upwardly. The surgical stapler 7000 can further comprise a pull, or push, rod operably coupled to the sled 7010 which can be moved proximally and/or distally by an actuator located on a handle and/or shaft of the surgical stapler 7000, for example.

[0706] Referring again to FIG. 161, the second jaw 7040 of the surgical stapler 7000 can comprise a frame 7041, a distal end 7048, and a proximal end 7049 positioned opposite the distal

END6843WOPCT3

end 7048. The second jaw 7040 can further comprise a guide system comprising one or more guide rails, such as guide rails 7045 and 7046, for example, extending along the longitudinal axis of the frame 7041 which, as described in greater detail further below, can be configured to guide one or more anvils, or cams, which can engage and deform the staple legs of the staples 6220 after the staple legs 6221 of the staples 6220 have passed through the retention matrix. For example, the guide rails 7045 and 7046 can comprise a guide wire or cable which extends along a top portion or surface of the frame 7041, around a distal post 7047, and back along the top portion or surface of the frame 7041, for example. Optionally, as mentioned above and referring primarily now to FIGS. 163 and 165, the second jaw 7040 can further comprise one or more anvils, or cams, such as first anvil 7050 and second anvil 7060, for example, which can be moved longitudinally along the second jaw 7040 in order to deform the legs of the staples 6220 after they have passed through the retention matrix. The surgical stapler 7000 can further comprise a first anvil driver, or actuator, 7051 connected to and/or operably coupled to the first anvil 7050 which can be configured to pull the first anvil 7050 proximally and/or push the first anvil 7050 distally. Similarly, the surgical stapler 7000 can further comprise a second anvil driver, or actuator, connected to and/or operably coupled to the second anvil 7060 which can be configured to push the second anvil 7060 distally and/or pull the second anvil 7060 proximally. The first anvil 7050 can comprise guide slots 7052 and the second anvil 7060 can comprise guide slots 7062 which can each be configured to slidably receive guide rail 7045 or guide rail 7046 therein. For example, the guide rails 7045 and 7046 can be closely received within the guide slots 7052 and 7062 such that relative lateral, or side-to-side, movement therebetween can be prevented, or at least limited.

[0707] Further to the above, the first anvil 7050 can be pulled proximally and the second anvil 7060 can be pulled distally. Referring to FIG. 161, the guide rails 7045 and 7046 and the distal post 7047 can comprise a pulley system configured to pull the second anvil 7060 distally and/or pull the second anvil 7060 proximally. For example, the guide rail 7045 and the guide rail 7046 can comprise a continuous wire or cable extending around the distal post 7047, wherein a portion of the continuous wire can be pulled in order to cycle the wire around the distal post 7047. The guide rail 7046, for example, can be mounted to the second anvil 7060 such that, when the continuous cable is cycled in a first direction, the second anvil 7060 can be pulled distally toward the distal end 7048 of the jaw 7040 and, when the continuous cable is cycled in a second, or

END6843WOPCT3

opposite, direction, the second anvil 7060 can be pulled proximally toward the proximal end 7049. Referring now to FIG. 163, the guide rail 7046 can be secured within a guide slot 7062 such that a pulling force can be transmitted therebetween. For example, the guide rail 7045 can be configured to slide within the other guide slot 7062. The first anvil 7050 may operate independently of the second anvil 7060 and the pulley system and the guide slots 7052 defined in the first anvil 7050 may be configured to slidably receive the guide rails 7045 and 7046 such that relative movement is permitted therebetween. The continuous cable comprising guide rails 7045 and 7046 can be sufficiently flexible in order to accommodate the opening and closing of the top jaw 7040. The continuous cable can also be sufficiently flexible in order to accommodate the vertical movement of the second anvil 7060 toward and away from the bottom jaw 7030, which is described in greater detail further below.

[0708] Referring again to FIGS. 163 and 165, the first anvil 7050 can comprise cam followers 7055 extending therefrom which can be configured to ride in one or more cam slots, or guide slots, such as cam slot 7070 (FIG. 166), for example, defined in the frame 7041 of the second jaw 7040. More particularly, the frame 7041 can comprise a first cam slot 7070 extending longitudinally along a first side of the frame 7041 and a second cam 7070 extending longitudinally along a second, or opposite, side of the frame 7041, wherein the cam followers 7055 extending from a first side of the first anvil 7050 can ride in the first cam slot 7070 and the cam followers 7055 extending from a second side of the first anvil 7050 can ride in the second cam slot 7070. For example, the contours of each cam slot 7070 can be identical, or at least substantially identical, and can be aligned, or at least substantially aligned, with one another. Similarly, the second anvil 7060 can comprise cam followers 7065 extending therefrom which can be configured to ride in the cam slots 7070 (FIG. 166) defined in the frame 7041 of the second jaw 7040. More particularly, the cam followers 7065 extending from a first side of the second anvil 7060 can ride in the first cam slot 7070 and the cam followers 7065 extending from a second side of the second anvil 7060 can ride in the second cam slot 7070. In use, the cam followers 7055 of the first anvil 7050 and the cam followers 7065 of the second anvil 7060 can slide within the cam slots 7070 such that first anvil 7050 and the second anvil 7060 follow the contours of the cam slots 7070 as the first anvil 7050 and the second anvil 7060 are pulled proximally and/or pushed distally. Optionally, each cam slot 7070 can comprise a plurality of dwell, or upper, portions 7071 and a plurality of driver, or lower, portions 7072 which can be

END6843WOPCT3

configured to move the anvils 7050 and 7060 vertically, i.e., toward and away from the bottom jaw 7030, at the same time that the anvils 7050 and 7060 are being moved longitudinally, i.e., between the distal end 7048 and the proximal end 7049 of the frame 7041, as described in greater detail further below.

[0709] When the surgical stapler 7000 is in an unfired condition, referring to FIG. 166, the first anvil 7050 can be positioned at the distal end 7048 of the frame 7041 and the second anvil 7060 can be positioned at the proximal end 7049 of the frame 7041; furthermore, referring now to FIG. 167, the staples 6220 positioned in the first jaw 7030 may not yet be inserted into the tissue T and/or the retention matrix positioned thereabove when the surgical stapler 7000 is in an unfired condition. In use, referring now to FIG. 168, the staples 6220 can be driven upwardly within the staple cavities 7033 of a staple cartridge by the staple drivers 7012 and, in addition, the first anvil 7050 can be moved proximally from the distal end 7048 of the frame 7041 toward the distal end 7049 in order to engage the staple legs 6221 of the staples 6220. The staples 6220 can be driven upwardly before the first anvil 7050 is engaged with the staple legs 6221 thereof. Optionally, all of the staples 6220 may be deployed upwardly by the sled 7010 before the first anvil 7050 is advanced into contact with the staple legs 6221 or, alternatively, the sled 7010 may be moved proximally at the same time that the first anvil 7050 is moved proximally, although the sled 7010 may sufficiently lead the first anvil 7050 in order to deploy the staples 6220 ahead of the first anvil 7050. Optionally, as illustrated in FIG. 168, the cam slots 7070 can be configured and arranged such that the forming surfaces, such as forming, or camming, surfaces 7053 and 7054, for example, of the first cam 7050 can contact at least some of the staple legs 6221 when the first cam 7050 is passing through a dwell, or upper, position. In various circumstances, the cam followers 7055 of the first anvil 7050 can each be positioned in a dwell portion 7071 of the cam slots 7070 such that the forming surfaces 7053 and 7054 are in a raised position and such that the staple legs 6221 are only partially deformed when the anvil 7050 passes thereby in the dwell position. As the first cam 7050 is moved further along the cam slots 7070, as illustrated in FIG. 169, the cam followers 7055 of the first anvil 7050 can be driven into driven, or lower, portions 7072 of the cam slots 7070 such that the forming surfaces 7053 and 7054 are moved vertically downwardly toward the staple legs 6021 in order to drive the staple legs 6021 into their finally formed configurations. Thereafter, as the first anvil 7050 is progressed further along the cam slots 7070, the first anvil 7050 can be driven vertically upwardly into another set of dwell

END6843WOPCT3

portions 7071 of the cam slots 7070. As illustrated in FIGS. 168 and 169, the reader will note that the first anvil 7050 may only engage some of the staple legs and not others. For example, the first anvil 7050 can be configured to only deform a group of staple legs comprising the distal staple legs 6221 of the staples 6220, for example. For example, the first anvil 7050 can be configured to deform the distal staple legs 6221 toward the center of the staples 6220.

Optionally, each proximal staple leg 6221 can be contacted twice by the first anvil 7050, i.e., by a first forming surface 7053 and by a second forming surface 7054 aligned with the first forming surface 7053. For example, the first forming surfaces 7053 can deform the distal staple legs 6221 into a partially-deformed configuration when the first anvil 7050 is in a dwell, or upper, position and the second forming surfaces 7054 can deform the distal staple legs 6221 into a fully-formed configuration when the first anvil 7050 is moved into a driven, or lower, position. Referring now to FIGS. 163 and 164, the first anvil 7050 can comprise a plurality of first forming surfaces 7053 and a plurality of second forming surfaces 7054 in order to deform the distal staple legs 6221 of staples 6220 when the staple legs 6221 are arranged in more than one row or line. Optionally, as described in greater detail further below, the proximal staple legs 6221 of the staples 6020 can be deformed by the second anvil 7060, for example.

[0710] Further to the above, the first anvil 7050 can be moved from the distal end 7048 of the frame 7041 to the proximal end 7049 in order to deform all of the distal staple legs 6221 of the staples 6220. As the reader will note, the first anvil 7050 can be moved up and down relative to the undeformed proximal staple legs 6221 and, in order to accommodate such relative movement, the first anvil 7050 can comprise one or more clearance slots 7057 (FIG. 165) which can be configured to receive the unbent proximal staple legs 6221 as the first anvil 7050 bends the distal staple legs 6221. Similarly, referring again to FIG. 163, the second anvil 7060 can comprise a clearance slot 7067 which can be configured to accommodate the vertical movement of the first cam actuator 7051 which moves up and down as the first anvil 7050 is moved between its dwell and driven positions as described above. After all of the distal staple legs 6221 have been bent, the second anvil 7060 can be moved from the proximal end 7049 of the frame 7041 to the distal end 7048 by the anvil actuator 7061. Similar to the above, referring now to FIG. 170, the cam followers 7065 of the second anvil 7060 can slide within the cam slots 7070 such that the second anvil 7060 is moved between dwell, or upper, positions and driven, or lower, positions in order to deform the proximal staple legs 6221 inwardly toward the centers of

END6843WOPCT3

the staples 6220, for example. Similar to the above, the second anvil 7060 can comprise a plurality of first forming, or camming, surfaces 7063 and a plurality of second forming, or camming, surfaces 7064 which can each be configured to at least partially deform and/or completely deform one or more of the proximal staple legs 6021. Referring again to FIG. 164, the second anvil 7060 can comprise a plurality of first forming surface 7063 and a plurality of second forming surfaces 7064 which can be configured to deform the proximal staple legs 6221 of staples 6220 arranged in a plurality of rows, or lines, for example. As also illustrated in FIG. 164, the first forming surfaces 7063 and the second forming surfaces 7064 of the second anvil 7060 may not be aligned with the first forming surfaces 7053 and the second forming surfaces 7054 of the first anvil 7050 wherein, as a result, the proximal legs 6221 of the staples 6220 may be positioned in different rows, or lines, than the distal legs 6221 of the staples 6220. As the reader will also note, the second anvil 7060 can push the first anvil 7050 as the second anvil 7060 is moved distally. For example, the second anvil 7060 can push the first anvil 7050 back into the distal end 7048 of the frame 7041 such that the first anvil 7050 can be returned to its initial, or unfired, position. After all of the proximal staple legs 6221 of the staples 6220 have been deformed, the second anvil 7060 can be retracted proximally and returned to its initial, or unfired, position. In this way, the surgical stapler 7000 can be reset such that a new staple cartridge can be positioned in the first jaw 7030 and a new retention matrix can be positioned in the second jaw 7040 in order to use the surgical stapler 7000 once again.

[0711] Optionally, as described above, a surgical stapler can comprise two or more anvils which can travel longitudinally in order to engage the legs of a plurality of staples in a transverse direction. A surgical stapler can comprise an anvil which is moved proximally, for example, in order to deform a first group of staple legs and distally, for example, in order to deform a second group of staple legs. For example, such an anvil can comprise forming surfaces facing proximally and forming surfaces facing distally, for example.

[0712] Referring now to FIG. 171, an anvil, such as anvil 7140, for example, can comprise a bottom, or tissue-contacting, surface 7141 and a plurality of forming pockets 7142 defined therein. The anvil 7140 can comprise more than one plate, such as pocket plates 7143, for example, which can be welded into a frame 7144. For example, each pocket plate 7143 can be positioned in a plate channel 7145 in the frame 7144 and welded to the frame 7144 through a weld slot 7146 extending through the frame 7144 in order to form a longitudinal weld 7147. In

END6843WOPCT3

various circumstances, the longitudinal weld 7147 can comprise a continuous weld extending along the entire length of the weld slot 7146 or a series of spaced-apart spot welds extending along the length thereof, for example. Optionally, each pocket plate 7143 can comprise two or more plate portions that have been welded together. For example, each pocket plate 7143 can comprise a first plate portion 7143a and a second plate portion 7143b which can be welded together along a seam 7148. The first plate portion 7143a and the second plate portion 7143b of each plate 7143 can be welded together before the plates 7143 are welded into the plate channels 7145 in the frame 7144. For example, the first plate portion 7143a and the second plate portion 7143b can comprise co-operating profiles, such as the toothed profiles illustrated in FIG. 171, for example, which can be fitted together to form a tight seam 7148. Each plate 7143 can comprise a height of approximately .02", for example, which can be taller than the depth of the plate channels 7145 such that the tissue-contacting surfaces 7141 thereof extend from the frame 7044 of the anvil 7040. Referring now to FIG. 172, the plates 7143 can be connected together by at least one weld 7149 at the distal ends of the plates 7143, for example.

[0713] As illustrated in FIGS. 171 and 172, each pocket plate 7143 can comprise a plurality of forming pockets 7142 defined therein. The forming pockets 7142 can be formed in the plates 7143 by any suitable manufacturing process, such as a grinding process and/or electrode-burning process, for example. For example, referring now to FIGS. 173 and 174, each forming pocket 7142 can be manufactured by first forming a deep well 7150, then forming an arcuate or curved surface 7151 surrounding the deep well 7150, and then forming a staple leg guide groove 7152 in the curved surface 7151, for example. Alternatively, these steps can be performed in any suitable order. Referring now to FIG. 175, the staple forming pockets 7142 can be formed such that the inner edges 7153 of the forming pockets are separated by a consistent, or at least substantially consistent, gap 7154. For example, the gap 7154 can be approximately .008", for example. Furthermore, for example, the forming pockets 7142 can be positioned along two or more rows, or lines, the centerlines of which can be separated by a consistent, or at least substantially consistent, spacing 7155. For example, the spacing 7155 between the centerlines can be approximately .035", for example. Referring again to FIG. 175, each forming pocket 7142 can taper between a narrow width 7156 and a wide width 7157. For example, the narrow width 7156 can be approximately .045" and the wide width 7157 can be approximately .075", for example. The plates 7143 can be comprised of the same material as the frame 7144. For example, the

END6843WOPCT3

plates 7143 and the frame 7144 can both be comprised of stainless steel, such as a 300 series or a 400 series stainless steel, for example, and/or titanium, for example. Alternatively, the plates 7143 and the frame 7144 can be comprised of different materials. For example, the plates 7143 can be comprised of a ceramic material, for example, and the frame 7144 can be comprised of a stainless steel and/or titanium, for example. In various circumstances, depending on the materials used, at least one brazing process could be used to secure the plates 7143 in the frame 7144 in addition to or in lieu of the welding processes described above, for example.

[0714] Referring now to FIGS. 176-178, an anvil 7240 can comprise a frame 7244 and a plurality of pocket plates 7243 which can be inserted into the frame 7244. Similar to the above, each pocket plate 7243 can comprise a plurality of forming pockets 7242 defined therein. The anvil frame 7244 can comprise retention slots 7246 defined therein which can each be configured to receive a retention rail 7247 extending from a pocket plate 7243. In order to assemble the pocket plates 7243 to the anvil frame 7244, the side walls 7245 of the anvil frame 7244 can be flexed or splayed outwardly, as illustrated in FIG. 177, in order to widen the retention slots 7246 such that each retention slot 7246 can receive a retention rail 7247 of a pocket plate 7243 therein. Once the retention rails 7247 have been positioned in the retention slots 7246, the side walls 7245 can be released, as illustrated in FIG. 178, thereby allowing the frame 7244 to resiliently contract and/or return to its unflexed state. In such circumstances, the retention slots 7246 can contract and thereby capture the retention rails 7247 therein. The retention rails 7247 and/or the retention slots 7246 can comprise one or more co-operating tapered surfaces which, after the flexed retention slots 7246 have been released, can form a taper-lock engagement which can retain the retention rails 7247 in the retention slots 7246. Similar to the above, the pocket plates 7243 can be comprised of the same material as or a different material than the frame 7244. For example, the plates 7243 can be comprised of a ceramic material, for example, and the frame 7244 can be comprised of a stainless steel and/or titanium, for example. In various circumstances, depending on the materials used, at least one brazing process and/or at least one welding process, for example, could be used to secure the plates 7243 in the frame 7244.

[0715] In FIGS. 179 and 180, a surgical stapling and severing instrument 8010 can comprise an anvil 8014 which may be repeatably opened and closed about its pivotal attachment to an elongate staple channel 8016. A staple applying assembly 8012 can comprise the anvil 8014 and the channel 8016, wherein the assembly 8012 can be proximally attached to the elongate shaft

END6843WOPCT3

8018 forming an implement portion 8022. When the staple applying assembly 8012 is closed, or at least substantially closed, the implement portion 8022 can present a sufficiently small cross-section suitable for inserting the staple applying assembly 8012 through a trocar. The assembly 8012 can be manipulated by a handle 8020 connected to the shaft 8018. The handle 8020 can comprise user controls such as a rotation knob 8030 that rotates the elongate shaft 8018 and staple applying assembly 8012 about a longitudinal axis of the shaft 8018. A closure trigger 8026, which can pivot in front of a pistol grip 8036 about a closure trigger pin 8152 (FIG. 181) engaged laterally across the handle housing 8154, can be depressed to close the staple applying assembly 8012. According to the invention, a closure release button 8038 can be outwardly presented on the handle 8020 when the closure trigger 8026 is clamped such that the release button 8038 can be depressed to unclamp the closure trigger 8026 and open the staple applying assembly 8012, as described in greater detail below. A firing trigger 8034, which can pivot in front of the closure trigger 8026, can cause the staple applying assembly 8012 to simultaneously sever and staple tissue clamped therein. In various circumstances, as described in greater detail below, multiple firing strokes can be employed using the firing trigger 8034 to reduce the amount of force required to be applied by the surgeon's hand per stroke. The handle 8020 can comprise rotatable right and/or left indicator wheels 8040, 8041 (FIG. 181) which can indicate the firing progress. For instance, full firing travel may require three full firing strokes of firing trigger 8034 and thus the indicator wheels 8040, 8041 can rotate up to one-third of a revolution each per stroke of firing trigger 8034. As described in greater detail below, a manual firing release lever 8042 can allow the firing system to be retracted before full firing travel has been completed, if desired, and, in addition, the firing release lever 8042 can allow a surgeon, or other clinician, to retract the firing system in the event that the firing system binds and/or fails.

[0716] With reference to FIGS. 179 and 181, the elongate shaft 8018 can comprise an outer structure including a longitudinally reciprocating closure tube 8024 that pivots the anvil 8014 toward its close position in response to the proximal depression of the closure trigger 8026 of handle 8020. The elongate channel 8018 can be connected to the handle 8020 by a frame 8028 (FIG. 181) that is internal to the closure tube 8024. The frame 8028 can be rotatably engaged to the handle 8020 so that the rotation of the rotation knob 8030 (FIG. 179) can rotate the implement portion 8022. With particular reference to FIG. 181, the rotation knob 8030 can be comprised of two half-shells which can include one or more inward projections 8031 that can

END6843WOPCT3

extend through one or more elongate side openings 8070 in the closure tube 8024 and engage the frame 8028. As a result of the above, the rotation knob 8030 and the frame 8028 can be rotated together, or synchronously, such that the rotated position of knob 8030 determines the rotated position of the implement portion 8022. The longitudinal length of the longer opening 8070 is sufficiently long to allow the longitudinal closure motion, and opening motion, of the closure tube 8024. With regard to generating the closure motion of closure tube 8024, referring primarily to FIGS. 181 and 183, an upper portion 8160 of the closure trigger 8026 can push forward a closure yoke 8162 via a closure link 8164. The closure link 8164 is pivotally attached at its distal end by a closure yoke pin 8166 to the closure yoke 8162 and is pivotally attached at its proximal end by a closure link pin 8168. The closure trigger 8026 can be urged to an open position by a closure trigger tension spring 8246 that is connected proximally to the upper portion 8160 of the closure trigger 8026 and a handle housing 8154 formed by right and left half shells 8156, 8158. The tension force applied by the tension spring 8246 can be overcome by a closing force applied to the closure trigger 8026 in order to advance the yoke 8162, closure link 8164, and the closure tube 8024 distally.

[0717] As the closure trigger 8026 is actuated, or depressed, as described above, the closure release button 8038 can be positioned such that the surgeon, or other clinician, can push the closure release button 8038, if desired, and allow the closure trigger 8026, and the rest of the surgical instrument, to return to an unactuated state. The closure release button 8038 can be connected to a pivoting locking arm 8172 by a central lateral pivot 8173 such that motion can be transferred between the release button 8038 and the locking arm 8172. Referring again to FIG. 181, a compression spring 8174 can bias the closure release button 8038 proximally, i.e., clockwise about the central lateral pivot 8173 as viewed from the right and the upper portion 8160 of the closure trigger 8026 can include a proximal crest 8170 with an aft notch 8171. As the closure trigger 8026 is depressed, the pivoting locking arm 8172 can ride upon the proximal crest 8170 and when the closure trigger 8026 reaches its fully depressed position, it should be appreciated that the aft notch 8171 is presented below the pivoting locking arm 8172 which drops into and locks against the aft notch 8171 under the urging of the compression spring 8174. At such point, manual depression of the closure release button 8038 rotates the pivoting locking arm 8172 upward and out of aft notch 8171 thereby unlocking the closure trigger 8026 and allowing the closure trigger 8026 to be returned to its unclamped position.

END6843WOPCT3

[0718] Once the closure trigger 8026 is proximally clamped, as discussed above, the firing trigger 8034 can be drawn toward the pistol grip 8036 in order to advance a firing rod 8032 distally from the handle 8020. The firing trigger 8034 can pivot about a firing trigger pin 8202 that laterally traverses and is engaged with the right and left half shells 8156, 8158 of the handle 8020. The firing trigger 8034, when actuated, can advance a linked transmission firing mechanism 8150. The linked transmission firing mechanism 8150 can be urged into a retracted, unfired, position by a spring 8184 that is, one, attached to the pistol grip 8036 of the handle 8020 and, two, attached to one of the links, for example, of the linked transmission firing mechanism 8150 as described in greater detail below. The spring 8184 can comprise a nonmoving end 8186 connected to the housing 8154 and a moving end 8188 connected to a proximal end 8190 of a steel band 8192. A distally-disposed end 8194 of the steel band 8192 can be attached to an attachment feature 8195 on a front link 8196a of a plurality of links 8196a -8196d that form a linked rack 8200. Linked rack 8200 can be flexible such that it can readily retract into the pistol grip 8036 and minimize the length of the handle 8020 and yet form a straight rigid rack assembly that may transfer a significant firing force to and/or through the firing rod 8032. As described in greater detail below, the firing trigger 8034 can be engaged with a first link 8196a during a first actuation of the firing trigger 8034, engaged with a second link 8196b during a second actuation of the firing trigger 8034, engaged with a third link 8196c during a third actuation of the firing trigger 8034, and engaged with a fourth link 8196d during a fourth actuation of the firing trigger 8034, wherein each actuation of the firing trigger 8034 can advance the linked rack 8200 distally an incremental amount. Further to the above, the multiple strokes of firing trigger 1034 can rotate the right and left indicator gauge wheels 1040, 1041 to indicate the distance in which the linked rack 8200 has been advanced.

[0719] Referring now to FIGS. 181 and 183, an anti-backup mechanism 8250 can prevent the combination tension/compression spring 8184 from retracting the linked rack 8200 between firing strokes. According to the invention, a coupling slide tube 8131 abuts the first link 8196a and connects to the firing rod 8032 to communicate the firing motion. The firing rod 8032 extends proximally out of a proximal end of the frame 8028 and through a through hole 8408 of an anti-backup plate 8266. The through hole 8408 is sized to slidingly receive the firing rod 8032 when perpendicularly aligned but to bind when tipped. A lower tab attachment 8271 extends proximally from a lower lip of the proximal end of the frame 8028, extending through an

END6843WOPCT3

aperture 8269 on a lower edge of the anti-backup plate 8266. This lower tab attachment 8271 draws the lower portion of the anti-backup plate 8266 proximate to the frame 8028 so that the anti-backup plate 8266 is perpendicular when the firing rod 8032 is distally advanced and allowed to tip top aft into a binding state when the firing rod 8032 attempts to retract. An anti-backup compression spring 8264 is distally constrained by the proximal end of the frame 8028 and proximally abuts a top portion of the anti-backup plate 8266, biasing the anti-backup plate 8266 to a locking state. Opposing the spring bias, an anti-backup cam tube 8268 slidingly encompasses the coupling slide tube 8131 and abuts the anti-backup plate 8266. A proximally projecting anti-backup yoke 8256 attached to the anti-backup cam tube 8268 extends overtop of the closure yoke 8162.

[0720] Referring to FIG. 181, a link triggered automatic retraction mechanism 8289 is incorporated into the surgical stapling and severing instrument 8010 to cause knife retraction at the end of full firing travel. To that end, the distal link 8196d includes a tang 8290 that projects upwardly when the distal link 8196d is advanced into rack channel 8291 (FIG. 181) formed in the closure yoke 8162. This tang 8290 is aligned to activate a bottom proximal cam 8292 on an anti-backup release lever 8248 (FIG. 186). With particular reference to FIGS. 186 and 187, structures formed in the right and left half shells 8156, 8158 constrain movement of the anti-backup release lever 8248. A pin receptacle 8296 and circular pin 8293 formed respectively between right and left half shells 8156, 8158 is received through a longitudinally elongate aperture 8294 formed in the anti-backup release lever 8248 distal to the bottom proximal cam 8292, thus allowing longitudinal translation as well as rotation about the circular pin 8293. In the right half shell 8156, a proximally open channel 8295 includes a proximal horizontal portion 8295a that communicates with an upwardly and distally angled portion 8295b that receives a rightward aft pin 8297 (FIG. 187) near the proximal end of the anti-backup release lever 8248, thus imparting an upward rotation as the anti-backup release lever 8248 reaches the distal most portion of its translation. A blocking structure formed in the right half shell 8156 proximal to the anti-backup release lever 8248 prevents proximal movement thereof once assembled to maintain rightward aft pin 8297 in the proximally open channel 8295.

[0721] Further to the above, as depicted in FIGS. 187 and 188, a distal end 8254 of the anti-backup release lever 8248 thus is urged distally and downwardly, causing a rightward front pin 8298 to drop into distally open step structure 8299 formed in the right half shell 8156, which is

END6843WOPCT3

urged into this engagement by a compression spring 8300 (FIG. 188) hooked to a leftward hook 8301 on the anti-backup release lever 8248 between the rightward front pin 8298 and the longitudinally elongate aperture 8294. The other end of the compression spring 8300 is attached to a hook 8302 (FIGS. 186, 188, 189) formed in the right half shell 8156 in a more proximal and lower position just above the closure yoke 8266. The compression spring 8300 thus pulls the distal end 8254 of the anti-backup release lever 8248 down and aft, which results in the rightward front pin 8298 locking into the distally open step structure 8299 when distally advanced. Thus, once tripped, referring to FIG. 189, the anti-backup release lever 8248 remains forward holding the anti-backup plate 8266 perpendicularly and thus allowing the linked rack 8200 to be retracted. When the closure yoke 8266 is subsequently retracted when unclamping the end effector 8012, an upwardly projecting reset tang 8303 on the closure yoke 8266 contacts a bottom distal cam 8305 of the anti-backup release lever 8248, lifting the rightward front pin 8298 out of the distally open step structure 8299 so that the anti-backup compression spring 8264 can proximally push the anti-backup cam tube 8268 and the anti-backup release lever 8248 to their retracted positions (FIG. 186).

[0722] Referring to FIGS. 179 and 189, the firing trigger 8034 can be operably engaged to the linked rack 8200 in any suitable manner. With particular reference to FIGS. 180 and 185, the firing trigger 8034 pivots about a firing trigger pin 8202 that is connected to the housing 8154. An upper portion 8204 of the firing trigger 8034 moves distally about the firing trigger pin 8202 as the firing trigger 8034 is depressed towards pistol grip 8036, stretching a proximally placed firing trigger tension spring 8206 (FIG. 181) proximally connected between the upper portion 8204 of the firing trigger 8034 and the housing 8154. The upper portion 8204 of the firing trigger 8034 engages the linked rack 8200 during each firing trigger depression via a spring biased side pawl mechanism 8210. When the firing trigger is released, the side pawl mechanism is disengaged from the linked rack 8200 and the firing trigger can be returned to an undepressed, or unfired, position. In use, a ramped right-side track formed by a proximally and rightwardly facing beveled surface 8284 in each of the links 8196a-8196d is engaged by a side pawl assembly 8285. In particular, a pawl slide 8270 (FIGS. 181 and 183) has right and left lower guides 8272 that slide respectively in a left track 8274 (FIG. 181) formed in the closure yoke 8266 below the rack channel 8291 and a right track 8275 in a closure yoke rail 8276 that parallels rack channel 8291 and is attached to a rack channel cover 8277 that closes a rightwardly

END6843WOPCT3

open portion of the rack channel 8291 in the closure yoke 8266 that is distal to the travel of the pawl slide 8270. In FIGS. 181, 182, and 185, a compression spring 8278 is attached between a hook 8279 on a top proximal position on the closure yoke rail 8276 and a hook 8280 on a distal right-side of the pawl slide 8270, which keeps the pawl slide 8270 drawn proximally into contact with the upper portion 8204 of the firing trigger 8034.

[0723] With particular reference to FIG. 181, a pawl block 8318 sits on the pawl slide 8270 pivoting about a vertical aft pin 8320 that passes through a left proximal corner of pawl block 8318 and pawl slide 8270. A kick-out block recess 8322 is formed on a distal portion of a top surface of the block 8318 to receive a kick-out block 8324 pivotally pinned therein by a vertical pin 8326 whose bottom tip extends into a pawl spring recess 8328 on a top surface of the pawl slide 8270. A pawl spring 8330 in the pawl spring recess 8328 extends to the right of the vertical front pin 8326 urging the pawl block 8318 to rotate counterclockwise when viewed from above into engagement with the ramped right-side track 8282. A small coil spring 8332 in the kick-out block recess 8322 urges the kick-out block 8324 to rotate clockwise when viewed from above, its proximal end urged into contact with a contoured lip 8334 formed in the closure yoke 8266 above the rack channel 8291. As shown in FIG. 184, the stronger mechanical advantage of the pawl spring 8330 over the small coil spring 8332 means that the pawl block 8318 tends toward engagement with the kick-out block 8324 rotated clockwise. In FIG. 185, as the firing trigger 8034 is fully depressed and begins to be release, the kick-out block 8324 encounters a ridge 8336 in the contoured lip 8334 as the pawl slide 8270 retracts, forcing the kick-out block 8324 to rotate clockwise when viewed from above and thereby kicking out the pawl block 8318 from engagement with the linked rack 8200. The shape of the kick-out block recess 8322 stops the clockwise rotation of the kick-out block 8324 to a perpendicular orientation to the contoured lip 8334 maintaining this disengagement during the full retraction and thereby eliminating a ratcheting noise.

[0724] In FIGS. 181, 183, 190, and 195, the surgical stapling and severing instrument 8010 can include a manual retraction mechanism 8500 that provides for a manual release of the firing mechanism, manual retraction, and in one version (FIGS. 196-202) further performs automatic retraction at the end of full firing travel. Referring now to FIGS. 181, 190, and 191, in particular, a front idler gear 8220 is engaged with a toothed upper, left surface 8222 of the linked rack 8200 wherein the front idler gear 8220 also engages an aft idler gear 8230 having a smaller right-side

END6843WOPCT3

ratchet gear 8231. Both the front idler gear 8220 and aft idler gear 8230 are rotatably connected to the handle housing 8154 respectively on front idler axle 8232 and aft idler axle 8234. Each end of the aft axle 8232 extend through the respective right and left housing half shells 8156, 8158 and are attached to the left and right indicator gauge wheels 8040, 8041 and, since the aft axle 8234 is free spinning in the handle housing 8154 and has a keyed engagement to the aft gear 8230, the indicator gauge wheels 8040, 8041 rotate with the aft gear 8230. The gear relationship between the linked rack 8200, idler gear 8220 and aft gear 8230 may be advantageously selected so that the toothed upper surface 8222 has tooth dimensions that are suitably strong and that the aft gear 8230 makes no more than one revolution during the full firing travel of the linked transmission firing mechanism 8150. In addition to gear mechanism 8502 visually indicating the firing travel, or progress, the gear mechanism 8502 can also be used to manual retract the knife. The smaller right-side ratchet gear 8231 of the aft idler gear 8230 extends into a hub 8506 of the manual retraction lever 8042, specifically aligned with a vertical longitudinally-aligned slot 8508 (FIG. 190) bisecting the hub 8506. A lateral through hole 8510 of the hub 8506 communicates with an upper recess 8512. A front portion 8514 is shaped to receive a proximally directed locking pawl 8516 that pivots about a rightward lateral pin 8518 formed in a distal end of the upper recess 8512. An aft portion 8520 is shaped to receive an L-shaped spring tab 8522 that urges the locking pawl 8516 downward into engagement with the right-side smaller ratchet gear 8231. A hold-up structure 8524 (FIGS. 186 and 193) projects from the right half shell 8156 into the upper recess 8512 holding up the locking pawl 8516 from engaging the smaller right-side ratchet gear 8231 when the manual retraction lever 8042 is down (FIG. 193). A coil spring 8525 (FIG. 181) urges the manual retraction lever 8042 down.

[0725] In use, as depicted in FIGS. 192 and 193, the combination tension/compression spring 8184 may become disconnected with the linked rack distally positioned. In FIGS. 194 and 195, as the manual retraction lever 8042 is raised, the locking pawl 8516 rotates clockwise and no longer is held up by the hold-up structure 8524 and engages the smaller right-side ratcheting gear 8231, rotating the aft idler gear 8230 clockwise when viewed from the left. Thus, the forward idler gear 8220 responds counterclockwise retracting the linked rack 8200. In addition, a rightward curved ridge 8510 projects out from the hub 8506, sized to contact and distally move the anti-backup release lever 8248 to release the anti-backup mechanism 8250 as the manual retraction lever 8042 is rotated.

END6843WOPCT3

[0726] In FIGS. 196-202, an automatic retraction mechanism 8600 for a surgical stapling and severing instrument 8010a can incorporate automatic retraction at the end of full firing travel into a front idler gear 8220a having a tooth 8602 that moves within a circular groove 8604 in a cam wheel 8606 until encountering a blockage 8608 after nearly a full rotation corresponding to three firing strokes. In such circumstances, rightward ridge 8610 is rotated upward into contact a bottom cam recess 8612 to distally move an anti-backup release lever 8248a. With particular reference to FIG. 197, the anti-backup release lever 8248a includes the distal end 8254 that operates as previously described. The circular pin 8293 and pin receptacle 8296 formed between right and left half shells 8156, 8158 is received through a generally rectangular aperture 8294a formed in the anti-backup release lever 8248a aft of the bottom cam 8192, thus allowing longitudinal translation as well as downward locking motion of the distal end 8254 of the anti-backup release lever 8248a. In the right half shell 8156, a horizontal proximally open channel 8295a receives the rightward aft pin 8297 near the proximal end of the anti-backup release lever 8248a.

[0727] In operation, before firing in FIGS. 198, 198A, the linked rack 8200 and the anti-backup cam tube 8268 are in a retracted position, locking the anti-backup mechanism 8250 as the anti-backup compression spring 8264 proximally tips the anti-backup plate 8266. The automatic retraction mechanism 8600 is at an initial state with the anti-backup release lever 8248a retracted with link 8196a in contact with the forward idler gear 8220a. The tooth 8602 is at a six o'clock position with full travel of the circular groove 8604 progressing counterclockwise thereof with the rightward ridge 8610 just proximal to the tooth 8602. In FIGS. 199, 199A, one firing stroke has occurred moving up one distal link 8196b into contact with the forward idler gear 8220a. The tooth 8602 has progressed one third of a turn through the circular groove 8604 of the immobile cam wheel 8606. In FIGS. 200, 200A, a second firing stroke has occurred moving up one more link 8196c into contact with the forward idler gear 8220a. The tooth 8602 has progressed two thirds of a turn through the circular groove 8604 of the immobile cam wheel 8606. In FIGS. 201, 201A, a third firing stroke has occurred moving up one distal link 8196d into contact with the forward idler gear 8220a. The tooth 8602 has progressed fully around the circular groove 8604 into contact with the blockage 8608 initiating counterclockwise rotation (when viewed from the right) of the cam wheel 8606 bringing the rightward ridge 8608 into contact with the anti-backup release lever 8248a. In FIG. 202, the anti-backup release lever 8248a has moved distally in

END6843WOPCT3

response thereto, locking the rightward front pin 8298 into the distally open step structure 8299 and releasing the anti-backup mechanism 8250. Similar surgical stapling instruments are disclosed in U.S. Patent No. 7,083,075, which issued on August 1, 2006, the entire disclosure of which is incorporated by reference herein.

[0728] Referring to FIG. 203, the staple applying assembly 9012 of a surgical stapling instrument 9010 accomplishes the functions of clamping onto tissue, driving staples and severing tissue by two distinct motions transferred longitudinally down the shaft 9016 relative to a shaft frame 9070. This shaft frame 9070 is proximally attached to a handle of a surgical stapling instrument and is coupled thereto for rotation about a longitudinal axis. An illustrative multi-stroke handle for the surgical stapling and severing instrument is described in greater detail in the co-pending and co-owned U.S. patent application entitled SURGICAL STAPLING INSTRUMENT INCORPORATING A MULTISTROKE FIRING POSITION INDICATOR AND RETRACTION MECHANISM, Ser. No. 10/374,026, the disclosure of which is hereby incorporated by reference in its entirety. Other applications consistent with the present invention may incorporate a single firing stroke, such as described in co-pending and commonly owned U.S. patent application SURGICAL STAPLING INSTRUMENT HAVING SEPARATE DISTINCT CLOSING AND FIRING SYSTEMS, Ser. No. 10/441,632, the disclosure of which is hereby incorporated by reference in its entirety.

[0729] With particular reference to FIG. 204, the distal end of the shaft frame 9070 is attached to the staple channel 9018. The anvil 9022 has a proximal pivoting end 9072 that is pivotally received within a proximal end 9074 of the staple channel 9018, just distal to its engagement to the shaft frame 9070. When the anvil 9022 is pivoted downwardly, the anvil 9022 moves a tissue contacting surface 9028 and forming pockets 9026 toward an opposing staple cartridge, described in greater detail further below. The pivoting end 9072 of the anvil 9022 includes a closure feature 9076 proximate but distal to its pivotal attachment with the staple channel 9018. Thus, a closure tube 9078, whose distal end includes a horseshoe aperture 9080 that engages this closure feature 9076, selectively imparts an opening motion to the anvil 9022 during proximal longitudinal motion and a closing motion to the anvil 9022 during distal longitudinal motion of the closure tube 9078 sliding over the shaft frame 9070 in response to a closure trigger, similar to the above. The shaft frame 9070 encompasses and guides a firing motion from the handle through a longitudinally reciprocating, two-piece knife and firing bar 9090. In particular, the

END6843WOPCT3

shaft frame 9070 includes a longitudinal firing bar slot 9092 that receives a proximal portion of the two-piece knife and firing bar 9090, specifically a laminate tapered firing bar 9094. It should be appreciated that the laminated tapered firing bar 9094 may be substituted with a solid firing bar and/or any other suitable materials.

[0730] An E-beam 9102 is the distal portion of the two-piece knife and firing bar 9090, which facilitates separate closure and firing as well as spacing of the anvil 9022 from the elongate staple channel 9018 during firing. With particular reference to FIGS. 204 and 205, in addition to any attachment treatment such as brazing or an adhesive, the knife and firing bar 9090 are formed of a female vertical attachment aperture 9104 proximally formed in the E-beam 9102 that receives a corresponding male attachment member 9106 distally presented by the laminated tapered firing bar 9094, allowing each portion to be formed of a selected material and process suitable for their disparate functions (e.g., strength, flexibility, friction). The E-beam 9102 may be advantageously formed of a material having suitable material properties for forming a pair of top pins 9110, a pair of middle pins 9112 and a bottom pin or foot 9114, as well as being able to acquire a sharp cutting edge 9116. In addition, integrally formed and proximally projecting top guide 9118 and middle guide 9120 bracketing each vertical end of the cutting edge 9116 further define a tissue staging area 9122 assisting in guiding tissue to the sharp cutting edge 9116 prior to being severed. The middle guide 9120 also serves to engage and fire the staple applying apparatus 9012 by abutting a stepped central member 9124 of a wedge sled 9126 (FIG. 206) that effects staple formation by the staple applying assembly 9012, as described in greater detail below. Forming these features (e.g., top pins 9110, middle pins 9112, and bottom foot 9114) integrally with the E-beam 9102 facilitates manufacturing at tighter tolerances relative to one another as compared to being assembled from a plurality of parts, ensuring desired operation during firing and/or effective interaction with various lockout features of the staple applying assembly 9012.

[0731] In FIGS. 207 and 208, the staple applying assembly 9012 is shown open, with the E-beam 9102 fully retracted. During assembly, the lower foot 9114 of the E-beam 9102 is dropped through a widened hole 9130 in the staple channel 9018 and the E-beam 9102 is then advanced such that the E-beam 9102 slides distally along a lower track 9132 formed in the staple channel 9018. In particular, the lower track 9132 includes a narrow slot 9133 that opens up as a widened slot 9134 on an undersurface of the staple channel 9018 to form an inverted T-shape in lateral

END6843WOPCT3

cross section, as depicted particularly in FIGS. 208 and 209, which communicates with the widened hole 9130. Once assembled, the components proximally coupled to the laminate tapered firing bar 9094 do not allow the lower foot 9114 to proximally travel again to the widened hole 9130 to permit disengagement. Referring to FIG. 210, the laminate tapered firing bar 9094 facilitates insertion of the staple applying assembly 9012 through a trocar. In particular, a more distal, downward projection 9136 raises the E-beam 9102 when fully retracted. This is accomplished by placement of the downward projection 9136 at a point where it cams upwardly on a proximal edge of the widened hole 9130 in the staple channel 9018. Referring now to FIG. 211, the laminate tapered firing bar 9094 also enhances operation of certain lockout features that may be incorporated into the staple channel 9018 by including a more proximal upward projection 9138 that is urged downwardly by the shaft frame 9070 during an initial portion of the firing travel. In particular, a lateral bar 9140 is defined between a pair of square apertures 9142 in the shaft frame 9070 (FIG. 204). A clip spring 9144 that encompasses the lateral bar 9140 downwardly urges a portion of the laminate tapered firing bar 9094 projecting distally out of the longitudinal firing bar slot 9092, which ensures certain advantageous lockout features are engaged when appropriate. This urging is more pronounced or confined solely to that portion of the firing travel when the upward projection 9138 contacts the clip spring 9144.

[0732] In FIGS. 207 and 208, the E-beam 9102 is retracted with the top pins 9110 thereof residing within an anvil pocket 9150 near the pivoting proximal end of the anvil 9022. A downwardly open vertical anvil slot 9152 (FIG. 203) laterally widens in the anvil 9022 into an anvil internal track 9154 that captures the top pins 9110 of the E-beam 9102 as they distally advance during firing, as depicted in FIGS. 210 and 211, affirmatively spacing the anvil 9022 from the staple channel 9018. Thus, with the E-beam 9102 retracted, the surgeon is able to repeatably open and close the staple applying assembly 9012 until satisfied with the placement and orientation of tissue captured therein for stapling and severing, yet the E-beam 9102 assists in proper positioning of tissue even for a staple applying assembly 9012 of reduced diameter and correspondingly reduced rigidity. In FIGS. 203, 204, 206, 207, 209, and 215, the staple applying assembly 9012 is shown with the replaceable staple cartridge 9020 that includes the wedge sled 9126. Longitudinally aligned and parallel plurality of downwardly open wedge slots 9202 (FIG. 209) receive respective wedges 9204 integral to the wedge sled 9126. In FIGS. 209-211, the wedge sled 9126 thus cams upwardly a plurality of staple drivers 9206 that are vertically slidable

END6843WOPCT3

within staple driver recesses 9208. In this illustrative version, each staple driver 9206 includes two vertical prongs, each translating upwardly into a respective staple hole 9210, or cavity 9024, to upwardly force out and deform a staple 9023 resting thereupon against a staple forming surface 9214 (FIG. 211) of the anvil 9022. A central firing recess 9216 (FIG. 204) defined within the staple cartridge 9020 proximate to the staple channel 9018 allows the passage of the bottom, horizontal portion 9218 (FIG. 206) of the wedge sled 9126 as well as the middle pins 9112 of the E-beam 9102. Specifically, a staple cartridge tray 9220 (FIGS. 204, 209) attaches to and underlies a polymer staple cartridge body 9222 that has the staple driver recesses 9208, staple holes 9210, and central firing recess 9216 formed therein. As staples 9023 are thus formed to either side, the sharp cutting edge 9116 enters a vertical through slot 9230 passing through the longitudinal axis of the staple cartridge 9020, excepting only a most distal end thereof.

[0733] Firing the staple applying assembly 9012 begins as depicted in FIG. 211 with the two-piece knife and firing bar 9090 proximally drawn until the downward projection 9136 cams the middle guide 9120 on the E-beam 9102 upward and aft, allowing a new staple cartridge 9020 to be inserted into the staple channel 9018 when the anvil 9022 is open as depicted in FIGS. 203 and 207. In FIG. 212, the two-piece knife and firing bar 9090 has been distally advanced a small distance, allowing the downward projection 9136 to drop into the widened hole 9130 of the lower track 9132 under the urging of the clip spring 9144 against the upward projection 9138 of the laminate tapered firing bar 9094. The middle guide 9120 prevents further downward rotation by resting upon the stepped central member 9124 of the wedge sled 9126, thus maintaining the middle pin 9112 of the E-beam within the central firing recess 9216. In FIG. 213, the two-piece knife and firing bar 9090 has been distally fired, advancing the wedge sled 9126 to cause formation of staples 9023 while severing tissue 9242 clamped between the anvil 9022 and staple cartridge 9020 with the sharp cutting edge 9116. Thereafter, in FIG. 214, the two-piece knife and firing bar 9090 is retracted, leaving the wedge sled 9126 distally positioned. In FIG. 215, the middle pin 9112 is allowed to translate down into a lockout recess 9240 formed in the staple channel 9018 (also see FIGS. 208, 211). Thus, the operator would receive a tactile indication as the middle pin 9112 encounters the distal edge of the lockout recess 9240 when the wedge sled 9126 (not shown in FIG. 215) is not proximally positioned (i.e., missing staple cartridge 9020 or spent staple cartridge 9020). Similar surgical stapling instruments are disclosed in U.S. Patent No. 7,380,696, which issued on June 3, 2008, the entire disclosure of which is incorporated by

END6843WOPCT3

reference herein.

[0734] Optionally, as described above, a staple cartridge can comprise a cartridge body including a plurality of staple cavities defined therein. The cartridge body can comprise a deck and a top deck surface wherein each staple cavity can define an opening in the deck surface. As also described above, a staple can be positioned within each staple cavity such that the staples are stored within the cartridge body until they are ejected therefrom. Prior to being ejected from the cartridge body, the staples can be contained with the cartridge body such that the staples do not protrude above the deck surface. As the staples are positioned below the deck surface, in such cases, the possibility of the staples becoming damaged and/or prematurely contacting the targeted tissue can be reduced. In various circumstances, the staples can be moved between an unfired position in which they do not protrude from the cartridge body and a fired position in which they have emerged from the cartridge body and can contact an anvil positioned opposite the staple cartridge. The anvil, and/or the forming pockets defined within the anvil, can be positioned a predetermined distance above the deck surface such that, as the staples are being deployed from the cartridge body, the staples are deformed to a predetermined formed height. In some circumstances, the thickness of the tissue captured between the anvil and the staple cartridge may vary and, as a result, thicker tissue may be captured within certain staples while thinner tissue may be captured within certain other staples. In either event, the clamping pressure, or force, applied to the tissue by the staples may vary from staple to staple or vary between a staple on one end of a staple row and a staple on the other end of the staple row, for example. In certain circumstances, the gap between the anvil and the staple cartridge deck can be controlled such that the staples apply a certain minimum clamping pressure within each staple. In some such circumstances, however, significant variation of the clamping pressure within different staples may still exist.

[0735] As described herein, a staple cartridge can comprise means for compensating for the thickness of the tissue captured within the staples deployed from the staple cartridge. Referring to FIG. 216, a staple cartridge, such as staple cartridge 10000, for example, can include a rigid first portion, such as support portion 10010, for example, and a compressible second portion, such as tissue thickness compensator 10020, for example. Referring primarily to FIG. 218, the support portion 10010 can comprise a cartridge body, a top deck surface 10011, and a plurality of staple cavities 10012 wherein, similar to the above, each staple cavity 10012 can define an

END6843WOPCT3

opening in the deck surface 10011. A staple 10030, for example, can be removably positioned in each staple cavity 10012. For example, referring primarily to FIG. 245 and as described in greater detail below, each staple 10030 can comprise a base 10031 and one or more legs 10032 extending from the base 10031. Prior to the staples 10030 being deployed, as also described in greater detail below, the bases 10031 of the staples 10030 can be supported by staple drivers positioned within the support portion 10010 and, concurrently, the legs 10032 of the staples 10030 can be at least partially contained within the staple cavities 10012. The staples 10030 can be deployed between an unfired position and a fired position such that the legs 10032 move through the tissue thickness compensator 10020, penetrate through a top surface of the tissue thickness compensator 10020, penetrate the tissue T, and contact an anvil positioned opposite the staple cartridge 10000. As the legs 10032 are deformed against the anvil, the legs 10032 of each staple 10030 can capture a portion of the tissue thickness compensator 10020 and a portion of the tissue T within each staple 10030 and apply a compressive force to the tissue. Further to the above, the legs 10032 of each staple 10030 can be deformed downwardly toward the base 10031 of the staple to form a staple entrapment area 10039 in which the tissue T and the tissue thickness compensator 10020 can be captured. In various circumstances, the staple entrapment area 10039 can be defined between the inner surfaces of the deformed legs 10032 and the inner surface of the base 10031. The size of the entrapment area for a staple can depend on several factors such as the length of the legs, the diameter of the legs, the width of the base, and/or the extent in which the legs are deformed, for example.

[0736] Previously, a surgeon was often required to select the appropriate staples having the appropriate staple height for the tissue being stapled. For example, a surgeon could select tall staples for use with thick tissue and short staples for use with thin tissue. In some circumstances, however, the tissue being stapled did not have a consistent thickness and, thus, some staples were unable to achieve the desired fired configuration. For example, FIG. 250 illustrates a tall staple used in thin tissue. Referring now to FIG. 251, when a tissue thickness compensator, such as tissue thickness compensator 10020, for example, is used with thin tissue, for example, the larger staple may be formed to a desired fired configuration.

[0737] Owing to the compressibility of the tissue thickness compensator, the tissue thickness compensator can compensate for the thickness of the tissue captured within each staple. More particularly, referring now to FIGS. 245 and 246, a tissue thickness compensator, such as tissue

END6843WOPCT3

thickness compensator 10020, for example, can consume larger and/or smaller portions of the staple entrapment area 10039 of each staple 10030 depending on the thickness and/or type of tissue contained within the staple entrapment area 10039. For example, if thinner tissue T is captured within a staple 10030, the tissue thickness compensator 10020 can consume a larger portion of the staple entrapment area 10039 as compared to circumstances where thicker tissue T is captured within the staple 10030. Correspondingly, if thicker tissue T is captured within a staple 10030, the tissue thickness compensator 10020 can consume a smaller portion of the staple entrapment area 10039 as compared to the circumstances where thinner tissue T is captured within the staple 10030. In this way, the tissue thickness compensator can compensate for thinner tissue and/or thicker tissue and assure that a compressive pressure is applied to the tissue irrespective, or at least substantially irrespective, of the tissue thickness captured within the staples. In addition to the above, the tissue thickness compensator 10020 can compensate for different types, or compressibilities, of tissues captured within different staples 10030. Referring now to FIG. 246, the tissue thickness compensator 10020 can apply a compressive force to vascular tissue T which can include vessels V and, as a result, restrict the flow of blood through the less compressible vessels V while still applying a desired compressive pressure to the surrounding tissue T. In various circumstances, further to the above, the tissue thickness compensator 10020 can also compensate for malformed staples. Referring to FIG. 247, the malformation of various staples 10030 can result in larger staple entrapment areas 10039 being defined within such staples. Owing to the resiliency of the tissue thickness compensator 10020, referring now to FIG. 248, the tissue thickness compensator 10020 positioned within malformed staples 10030 may still apply a sufficient compressive pressure to the tissue T even though the staple entrapment areas 10039 defined within such malformed staples 10030 may be enlarged. In various circumstances, the tissue thickness compensator 10020 located intermediate adjacent staples 10030 can be biased against the tissue T by properly-formed staples 10030 surrounding a malformed staple 10030 and, as a result, apply a compressive pressure to the tissue surrounding and/or captured within the malformed staple 10030, for example. In various circumstances, a tissue thickness compensator can compensate for different tissue densities which can arise due to calcifications, fibrous areas, and/or tissue that has been previously stapled or treated, for example.

END6843WOPCT3

[0738] According to the invention, a fixed, or unchangeable, tissue gap can be defined between the support portion and the anvil and, as a result, the staples may be deformed to a predetermined height regardless of the thickness of the tissue captured within the staples. When a tissue thickness compensator is used in such cases, the tissue thickness compensator can adapt to the tissue captured between the anvil and the support portion staple cartridge and, owing to the resiliency of the tissue thickness compensator, the tissue thickness compensator can apply an additional compressive pressure to the tissue. Referring now to FIGS. 252-257, a staple 10030 has been formed to a predefined height H. With regard to FIG. 252, a tissue thickness compensator has not been utilized and the tissue T consumes the entirety of the staple entrapment area 10039. With regard to FIG. 259, a portion of a tissue thickness compensator 10020 has been captured within the staple 10030, compressed the tissue T, and consumed at least a portion of the staple entrapment area 10039. Referring now to FIG. 254, thin tissue T has been captured within the staple 10030. In this embodiment, the compressed tissue T has a height of approximately $2/9H$ and the compressed tissue thickness compensator 10020 has a height of approximately $7/9H$, for example. Referring now to FIG. 255, tissue T having an intermediate thickness has been captured within the staple 10030. In this embodiment, the compressed tissue T has a height of approximately $4/9H$ and the compressed tissue thickness compensator 10020 has a height of approximately $5/9H$, for example. Referring now to FIG. 256, tissue T having an intermediate thickness has been captured within the staple 10030. In this embodiment, the compressed tissue T has a height of approximately $2/3H$ and the compressed tissue thickness compensator 10020 has a height of approximately $1/3H$, for example. Referring now to FIG. 255, thick tissue T has been captured within the staple 10030. In this embodiment, the compressed tissue T has a height of approximately $8/9H$ and the compressed tissue thickness compensator 10020 has a height of approximately $1/9H$, for example. In various circumstances, the tissue thickness compensator can comprise a compressed height which comprises approximately 10% of the staple entrapment height, approximately 20% of the staple entrapment height, approximately 30% of the staple entrapment height, approximately 40% of the staple entrapment height, approximately 50% of the staple entrapment height, approximately 60% of the staple entrapment height, approximately 70% of the staple entrapment height, approximately 80% of the staple entrapment height, and/or approximately 90% of the staple entrapment height, for example.

END6843WOPCT3

[0739] The staples 10030 can comprise any suitable unformed height. The staples 10030 can comprise an unformed height between approximately 2 mm and approximately 4.8 mm, for example. The staples 10030 can comprise an unformed height of approximately 2.0 mm, approximately 2.5 mm, approximately 3.0 mm, approximately 3.4 mm, approximately 3.5 mm, approximately 3.8 mm, approximately 4.0 mm, approximately 4.1 mm, and/or approximately 4.8 mm, for example. The height H to which the staples can be deformed can be dictated by the distance between the deck surface 10011 of the support portion 10010 and the opposing anvil. The distance between the deck surface 10011 and the tissue-contacting surface of the anvil can be approximately 0.097", for example. The height H can also be dictated by the depth of the forming pockets defined within the anvil. The forming pockets can have a depth measured from the tissue-contacting surface, for example. Optionally, as described in greater detail below, the staple cartridge 10000 can further comprise staple drivers which can lift the staples 10030 toward the anvil and, lift, or "overdrive", the staples above the deck surface 10011. In such cases, the height H to which the staples 10030 are formed can also be dictated by the distance in which the staples 10030 are overdriven. For example, the staples 10030 can be overdriven by approximately .028", for example, and can result in the staples 10030 being formed to a height of approximately 0.189", for example. The staples 10030 can be formed to a height of approximately 0.8 mm, approximately 1.0 mm, approximately 1.5 mm, approximately 1.8 mm, approximately 2.0 mm, and/or approximately 2.25 mm, for example. The staples can be formed to a height between approximately 2.25 mm and approximately 3.0 mm, for example. Further to the above, the height of the staple entrapment area of a staple can be determined by the formed height of the staple and the width, or diameter, of the wire comprising the staple. The height of the staple entrapment area 10039 of a staple 10030 can comprise the formed height H of the staple less two diameter widths of the wire. The staple wire can comprise a diameter of approximately 0.0089", for example. The staple wire can comprise a diameter between approximately 0.0069" and approximately 0.0119", for example. For example, the formed height H of a staple 10030 can be approximately 0.189" and the staple wire diameter can be approximately 0.0089" resulting in a staple entrapment height of approximately 0.171", for example.

[0740] Further to the above, the tissue thickness compensator can comprise an uncompressed, or pre-deployed, height and can be configured to deform to one of a plurality of compressed

END6843WOPCT3

heights. The tissue thickness compensator can comprise an uncompressed height of approximately 0.125", for example. The tissue thickness compensator can comprise an uncompressed height of greater than or equal to approximately 0.080", for example. The tissue thickness compensator can comprise an uncompressed, or pre-deployed, height which is greater than the unfired height of the staples. The uncompressed, or pre-deployed, height of the tissue thickness compensator can be approximately 10% taller, approximately 20% taller, approximately 30% taller, approximately 40% taller, approximately 50% taller, approximately 60% taller, approximately 70% taller, approximately 80% taller, approximately 90% taller, and/or approximately 100% taller than the unfired height of the staples, for example. The uncompressed, or pre-deployed, height of the tissue thickness compensator can be up to approximately 100% taller than the unfired height of the staples, for example. The uncompressed, or pre-deployed, height of the tissue thickness compensator can be over 100% taller than the unfired height of the staples, for example. The tissue thickness compensator can comprise an uncompressed height which is equal to the unfired height of the staples. The tissue thickness compensator can comprise an uncompressed height which is less than the unfired height of the staples. The uncompressed, or pre-deployed, height of the thickness compensator can be approximately 10% shorter, approximately 20% shorter, approximately 30% shorter, approximately 40% shorter, approximately 50% shorter, approximately 60% shorter, approximately 70% shorter, approximately 80% shorter, and/or approximately 90% shorter than the unfired height of the staples, for example. The compressible second portion can comprise an uncompressed height which is taller than an uncompressed height of the tissue T being stapled. The tissue thickness compensator can comprise an uncompressed height which is equal to an uncompressed height of the tissue T being stapled. The tissue thickness compensator can comprise an uncompressed height which is shorter than an uncompressed height of the tissue T being stapled.

[0741] As described above, a tissue thickness compensator can be compressed within a plurality of formed staples regardless of whether thick tissue or thin tissue is captured within the staples. For example, the staples within a staple line, or row, can be deformed such that the staple entrapment area of each staple comprises a height of approximately 2.0 mm, for example, wherein the tissue T and the tissue thickness compensator can be compressed within this height. In certain circumstances, the tissue T can comprise a compressed height of approximately 1.75

END6843WOPCT3

mm within the staple entrapment area while the tissue thickness compensator can comprise a compressed height of approximately 0.25 mm within the staple entrapment area, thereby totaling the approximately 2.0 mm staple entrapment area height, for example. In certain circumstances, the tissue T can comprise a compressed height of approximately 1.50 mm within the staple entrapment area while the tissue thickness compensator can comprise a compressed height of approximately 0.50 mm within the staple entrapment area, thereby totaling the approximately 2.0 mm staple entrapment area height, for example. In certain circumstances, the tissue T can comprise a compressed height of approximately 1.25 mm within the staple entrapment area while the tissue thickness compensator can comprise a compressed height of approximately 0.75 mm within the staple entrapment area, thereby totaling the approximately 2.0 mm staple entrapment area height, for example. In certain circumstances, the tissue T can comprise a compressed height of approximately 1.0 mm within the staple entrapment area while the tissue thickness compensator can comprise a compressed height of approximately 1.0 mm within the staple entrapment area, thereby totaling the approximately 2.0 mm staple entrapment area height, for example. In certain circumstances, the tissue T can comprise a compressed height of approximately 0.75 mm within the staple entrapment area while the tissue thickness compensator can comprise a compressed height of approximately 1.25 mm within the staple entrapment area, thereby totaling the approximately 2.0 mm staple entrapment area height, for example. In certain circumstances, the tissue T can comprise a compressed height of approximately 1.50 mm within the staple entrapment area while the tissue thickness compensator can comprise a compressed height of approximately 0.50 mm within the staple entrapment area, thereby totaling the approximately 2.0 mm staple entrapment area height, for example. In certain circumstances, the tissue T can comprise a compressed height of approximately 0.25 mm within the staple entrapment area while the tissue thickness compensator can comprise a compressed height of approximately 1.75 mm within the staple entrapment area, thereby totaling the approximately 2.0 mm staple entrapment area height, for example.

[0742] Further to the above, the tissue thickness compensator can comprise an uncompressed height which is less than the fired height of the staples. The tissue thickness compensator can comprise an uncompressed height which is equal to the fired height of the staples. The tissue thickness compensator can comprise an uncompressed height which is taller than the fired height of the staples. For example, the uncompressed height of a tissue thickness compensator can

END6843WOPCT3

comprise a thickness which is approximately 110% of the formed staple height, approximately 120% of the formed staple height, approximately 130% of the formed staple height, approximately 140% of the formed staple height, approximately 150% of the formed staple height, approximately 160% of the formed staple height, approximately 170% of the formed staple height, approximately 180% of the formed staple height, approximately 190% of the formed staple height, and/or approximately 200% of the formed staple height, for example. The tissue thickness compensator can comprise an uncompressed height which is more than twice the fired height of the staples. The tissue thickness compensator can comprise a compressed height which is from approximately 85% to approximately 150% of the formed staple height, for example. Optionally, as described above, the tissue thickness compensator can be compressed between an uncompressed thickness and a compressed thickness. The compressed thickness of a tissue thickness compensator can be approximately 10% of its uncompressed thickness, approximately 20% of its uncompressed thickness, approximately 30% of its uncompressed thickness, approximately 40% of its uncompressed thickness, approximately 50% of its uncompressed thickness, approximately 60% of its uncompressed thickness, approximately 70% of its uncompressed thickness, approximately 80% of its uncompressed thickness, and/or approximately 90% of its uncompressed thickness, for example. The uncompressed thickness of the tissue thickness compensator can be approximately two times, approximately ten times, approximately fifty times, and/or approximately one hundred times thicker than its compressed thickness, for example. The compressed thickness of the tissue thickness compensator can be between approximately 60% and approximately 99% of its uncompressed thickness. The uncompressed thickness of the tissue thickness compensator can be at least 50% thicker than its compressed thickness. The uncompressed thickness of the tissue thickness compensator can be up to one hundred times thicker than its compressed thickness. The compressible second portion can be elastic, or at least partially elastic, and can bias the tissue T against the deformed legs of the staples. For example, the compressible second portion can resiliently expand between the tissue T and the base of the staple in order to push the tissue T against the legs of the staple. As discussed in further detail below, the tissue thickness compensator can be positioned intermediate the tissue T and the deformed staple legs. In various circumstances, as a result of the above, the tissue thickness compensator can be configured to consume any gaps within the staple entrapment area.

END6843WOPCT3

[0743] The tissue thickness compensator may comprise a polymeric composition. The polymeric composition may comprise one or more synthetic polymer and/or one or more non-synthetic polymer. The synthetic polymer may comprise a synthetic absorbable polymer and/or a synthetic non-absorbable polymer. The polymeric composition may comprise a biocompatible foam, for example. The biocompatible foam may comprise a porous, open cell foam and/or a porous, closed cell foam, for example. The biocompatible foam can have a uniform pore morphology or may have a gradient pore morphology (i.e. small pores gradually increasing in size to large pores across the thickness of the foam in one direction). The polymeric composition may comprise one or more of a porous scaffold, a porous matrix, a gel matrix, a hydrogel matrix, a solution matrix, a filamentous matrix, a tubular matrix, a composite matrix, a membranous matrix, a biostable polymer, and a biodegradable polymer, and combinations thereof. For example, the tissue thickness compensator may comprise a foam reinforced by a filamentous matrix or may comprise a foam having an additional hydrogel layer that expands in the presence of bodily fluids to further provide the compression on the tissue. According to the invention, a tissue thickness compensator could also be comprised of a coating on a material and/or a second or third layer that expands in the presence of bodily fluids to further provide the compression on the tissue. Such a layer could be a hydrogel that could be a synthetic and/or naturally derived material and could be either biodegradable and/or biodegradable, for example. A tissue thickness compensator could be reinforced with fibrous non-woven materials or fibrous mesh type elements, for example, that can provide additional flexibility, stiffness, and/or strength. According to the invention, a tissue thickness compensator that has a porous morphology which exhibits a gradient structure such as, for example, small pores on one surface and larger pores on the other surface. Such morphology could be more optimal for tissue in-growth or hemostatic behavior. Further, the gradient could be also compositional with a varying bio-absorption profile. A short term absorption profile may be preferred to address hemostasis while a long term absorption profile may address better tissue healing without leakages.

[0744] Examples of non-synthetic polymers include, but are not limited to, lyophilized polysaccharide, glycoprotein, elastin, proteoglycan, gelatin, collagen, and oxidized regenerated cellulose (ORC). Examples of synthetic absorbable polymers include, but are not limited to, poly(lactic acid) (PLA), poly(L-lactic acid) (PLLA), polycaprolactone (PCL), polyglycolic acid (PGA), poly(trimethylene carbonate) (TMC), polyethylene terephthalate (PET),

END6843WOPCT3

polyhydroxyalkanoate (PHA), a copolymer of glycolide and ϵ -caprolactone (PGCL), a copolymer of glycolide and-trimethylene carbonate, poly(glycerol sebacate) (PGS), polydioxanone, poly(orthoesters), polyanhydrides, polysaccharides, poly(ester-amides), tyrosine-based polyarylates, tyrosine-based polyiminocarbonates, tyrosine-based polycarbonates, poly(D,L-lactide-urethane), poly(B-hydroxybutyrate), poly(E-caprolactone), polyethyleneglycol (PEG), poly[bis(carboxylatophenoxy) phosphazene], poly(amino acids), pseudo-poly(amino acids), absorbable polyurethanes, and combinations thereof. The polymeric composition may comprise from approximately 50% to approximately 90% by weight of the polymeric composition of PLLA and approximately 50% to approximately 10% by weight of the polymeric composition of PCL, for example. The polymeric composition may comprise approximately 70% by weight of PLLA and approximately 30% by weight of PCL, for example. The polymeric composition may comprise from approximately 55% to approximately 85% by weight of the polymeric composition of PGA and 15% to 45% by weight of the polymeric composition of PCL, for example. The polymeric composition may comprise approximately 65% by weight of PGA and approximately 35% by weight of PCL, for example. The polymeric composition may comprise from approximately 90% to approximately 95% by weight of the polymeric composition of PGA and approximately 5% to approximately 10% by weight of the polymeric composition of PLA, for example.

[0745] The synthetic absorbable polymer may comprise a bioabsorbable, biocompatible elastomeric copolymer. Suitable bioabsorbable, biocompatible elastomeric copolymers include but are not limited to copolymers of epsilon-caprolactone and glycolide (preferably having a mole ratio of epsilon-caprolactone to glycolide of from about 30:70 to about 70:30, preferably 35:65 to about 65:35, and more preferably 45:55 to 35:65); elastomeric copolymers of epsilon-caprolactone and lactide, including L-lactide, D-lactide blends thereof or lactic acid copolymers (preferably having a mole ratio of epsilon-caprolactone to lactide of from about 35:65 to about 65:35 and more preferably 45:55 to 30:70) elastomeric copolymers of p-dioxanone (1,4-dioxan-2-one) and lactide including L-lactide, D-lactide and lactic acid (preferably having a mole ratio of p-dioxanone to lactide of from about 40:60 to about 60:40); elastomeric copolymers of epsilon-caprolactone and p-dioxanone (preferably having a mole ratio of epsilon-caprolactone to p-dioxanone of from about 30:70 to about 70:30); elastomeric copolymers of p-dioxanone and trimethylene carbonate (preferably having a mole ratio of p-dioxanone to trimethylene carbonate

END6843WOPCT3

of from about 30:70 to about 70:30); elastomeric copolymers of trimethylene carbonate and glycolide (preferably having a mole ratio of trimethylene carbonate to glycolide of from about 30:70 to about 70:30); elastomeric copolymer of trimethylene carbonate and lactide including L-lactide, D-lactide, blends thereof or lactic acid copolymers (preferably having a mole ratio of trimethylene carbonate to lactide of from about 30:70 to about 70:30) and blends thereof. The elastomeric copolymer may be a copolymer of glycolide and epsilon-caprolactone. Alternatively, the elastomeric copolymer is a copolymer of lactide and epsilon-caprolactone.

[0746] The disclosures of U.S. Patent No. 5,468,253, entitled ELASTOMERIC MEDICAL DEVICE, which issued on November 21, 1995, and U.S. Patent No. 6,325,810, entitled FOAM BUTTRESS FOR STAPLING APPARATUS, which issued on December 4, 2001, are hereby incorporated by reference in their respective entireties.

[0747] The synthetic absorbable polymer may comprise one or more of 90/10 poly(glycolide-L-lactide) copolymer, commercially available from Ethicon, Inc. under the trade designation VICRYL (polyglactin 910), polyglycolide, commercially available from American Cyanamid Co. under the trade designation DEXON, polydioxanone, commercially available from Ethicon, Inc. under the trade designation PDS, poly(glycolide-trimethylene carbonate) random block copolymer, commercially available from American Cyanamid Co. under the trade designation MAXON, 75/25 poly(glycolide-E-caprolactone-poliglecaprolactone 25) copolymer, commercially available from Ethicon under the trade designation MONOCRYL, for example.

[0748] Examples of synthetic non-absorbable polymers include, but are not limited to, foamed polyurethane, polypropylene (PP), polyethylene (PE), polycarbonate, polyamides, such as nylon, polyvinylchloride (PVC), polymethylmetacrylate (PMMA), polystyrene (PS), polyester, polyetheretherketone (PEEK), polytetrafluoroethylene (PTFE), polytrifluorochloroethylene (PTFCE), polyvinylfluoride (PVF), fluorinated ethylene propylene (FEP), polyacetal, polysulfone, and combinations thereof. The synthetic non-absorbable polymers may include, but are not limited to, foamed elastomers and porous elastomers, such as, for example, silicone, polyisoprene, and rubber. The synthetic polymers may comprise expanded polytetrafluoroethylene (ePTFE), commercially available from W. L. Gore & Associates, Inc. under the trade designation GORE-TEX Soft Tissue Patch and co-polyetherester urethane foam commercially available from Polyganics under the trade designation NASOPORE.

END6843WOPCT3

[0749] The polymeric composition of a tissue thickness compensator may be characterized by percent porosity, pore size, and/or hardness, for example. The polymeric composition may have a percent porosity from approximately 30% by volume to approximately 99% by volume, for example. The polymeric composition may have a percent porosity from approximately 60% by volume to approximately 98% by volume, for example. The polymeric composition may have a percent porosity from approximately 85% by volume to approximately 97% by volume, for example. The polymeric composition may comprise approximately 70% by weight of PLLA and approximately 30% by weight of PCL, for example, and can comprise approximately 90% porosity by volume, for example. For example, as a result, the polymeric composition would comprise approximately 10% copolymer by volume. The polymeric composition may comprise approximately 65% by weight of PGA and approximately 35% by weight of PCL, for example, and can have a percent porosity from approximately 93% by volume to approximately 95% by volume, for example. The polymeric composition may comprise a greater than 85% porosity by volume. The polymeric composition may have a pore size from approximately 5 micrometers to approximately 2000 micrometers, for example. The polymeric composition may have a pore size between approximately 10 micrometers to approximately 100 micrometers, for example. For example, the polymeric composition can comprise a copolymer of PGA and PCL, for example. The polymeric composition may have a pore size between approximately 100 micrometers to approximately 1000 micrometers, for example. For example, the polymeric composition can comprise a copolymer of PLLA and PCL, for example. According to certain aspects, the hardness of a polymeric composition may be expressed in terms of the Shore Hardness, which can be defined as the resistance to permanent indentation of a material as determined with a durometer, such as a Shore Durometer. In order to assess the durometer value for a given material, a pressure is applied to the material with a durometer indenter foot in accordance with ASTM procedure D2240-00, entitled, "Standard Test Method for Rubber Property-Durometer Hardness", the entirety of which is incorporated herein by reference. The durometer indenter foot may be applied to the material for a sufficient period of time, such as 15 seconds, for example, wherein a reading is then taken from the appropriate scale. Depending on the type of scale being used, a reading of 0 can be obtained when the indenter foot completely penetrates the material, and a reading of 100 can be obtained when no penetration into the material occurs. This reading is dimensionless. The durometer may be determined in accordance with any suitable scale, such

END6843WOPCT3

as Type A and/or Type OO scales, for example, in accordance with ASTM D2240-00. The polymeric composition of a tissue thickness compensator may have a Shore A hardness value from approximately 4 A to approximately 16 A, for example, which is approximately 45 OO to approximately 65 OO on the Shore OO range. For example, the polymeric composition can comprise a PLLA/PCL copolymer or a PGA/PCL copolymer, for example. The polymeric composition of a tissue thickness compensator may have a Shore A Hardness value of less than 15 A. The polymeric composition of a tissue thickness compensator may have a Shore A Hardness value of less than 10 A. The polymeric composition of a tissue thickness compensator may have a Shore A Hardness value of less than 5 A. The polymeric material may have a Shore OO composition value from approximately 35 OO to approximately 75 OO, for example.

[0750] The polymeric composition may have at least two of the above-identified properties. The polymeric composition may have at least three of the above-identified properties. The polymeric composition may have a porosity from 85% to 97% by volume, a pore size from 5 micrometers to 2000 micrometers, and a Shore A hardness value from 4 A to 16 A and Shore OO hardness value from 45 OO to 65 OO, for example. The polymeric composition may comprise 70% by weight of the polymeric composition of PLLA and 30% by weight of the polymeric composition of PCL having a porosity of 90% by volume, a pore size from 100 micrometers to 1000 micrometers, and a Shore A hardness value from 4 A to 16 A and Shore OO hardness value from 45 OO to 65 OO, for example. The polymeric composition may comprise 65% by weight of the polymeric composition of PGA and 35% by weight of the polymeric composition of PCL having a porosity from 93% to 95% by volume, a pore size from 10 micrometers to 100 micrometers, and a Shore A hardness value from 4 A to 16 A and Shore OO hardness value from 45 OO to 65 OO, for example.

[0751] The polymeric composition may comprise a pharmaceutically active agent. The polymeric composition may release a therapeutically effective amount of the pharmaceutically active agent. The pharmaceutically active agent may be released as the polymeric composition is desorbed/absorbed. The pharmaceutically active agent may be released into fluid, such as, for example, blood, passing over or through the polymeric composition. Examples of pharmaceutically active agents may include, but are not limited to, hemostatic agents and drugs, such as, for example, fibrin, thrombin, and oxidized regenerated cellulose (ORC); anti-inflammatory drugs, such as, for example, diclofenac, aspirin, naproxen, sulindac, and

END6843WOPCT3

hydrocortisone; antibiotic and antimicrobial drug or agents, such as, for example, triclosan, ionic silver, ampicillin, gentamicin, polymyxin B, chloramphenicol; and anticancer agents, such as, for example, cisplatin, mitomycin, adriamycin.

[0752] Referring now to FIG. 216, a staple cartridge, such as staple cartridge 10000, for example, can comprise a support portion 10010 and a compressible tissue thickness compensator 10020. Referring now to FIGS. 218-220, the support portion 10010 can comprise a deck surface 10011 and a plurality of staple cavities 10012 defined within the support portion 10010. Each staple cavity 10012 can be sized and configured to removably store a staple, such as a staple 10030, for example, therein. The staple cartridge 10000 can further comprise a plurality of staple drivers 10040 which can each be configured to support one or more staples 10030 within the staple cavities 10012 when the staples 10030 and the staple drivers 10040 are in their unfired positions. For example, referring primarily to FIGS. 224 and 225, each staple driver 10040 can comprise one or more cradles, or troughs, 10041, for example, which can be configured to support the staples and limit relative movement between the staples 10030 and the staple drivers 10040. Referring again to FIG. 218, the staple cartridge 10000 can further comprise a staple-firing sled 10050 which can be moved from a proximal end 10001 to a distal end 10002 of the staple cartridge in order to sequentially lift the staple drivers 10040 and the staples 10030 from their unfired positions toward an anvil positioned opposite the staple cartridge 10000. Referring primarily to FIGS. 218 and 220, each staple 10030 can comprise a base 10031 and one or more legs 10032 extending from the base 10031 wherein each staple can be at least one of substantially U-shaped and substantially V-shaped, for example. The staples 10030 can be configured such that the tips of the staple legs 10032 are recessed with respect to the deck surface 10011 of the support portion 10010 when the staples 10030 are in their unfired positions. The staples 10030 can be configured such that the tips of the staple legs 10032 are flush with respect to the deck surface 10011 of the support portion 10010 when the staples 10030 are in their unfired positions. The staples 10030 can be configured such that the tips of the staple legs 10032, or at least some portion of the staple legs 10032, extend above the deck surface 10011 of the support portion 10010 when the staples 10030 are in their unfired positions. In such cases, the staple legs 10032 can extend into and can be embedded within the tissue thickness compensator 10020 when the staples 10030 are in their unfired positions. For example, the staple legs 10032 can extend above the deck surface 10011 by approximately 0.075", for example. The

END6843WOPCT3

staple legs 10032 can extend above the deck surface 10011 by a distance between approximately 0.025" and approximately 0.125", for example. Further to the above, the tissue thickness compensator 10020 can comprise an uncompressed thickness between approximately 0.08" and approximately 0.125", for example.

[0753] In use, further to the above and referring primarily to FIG. 233, an anvil, such as anvil, 10060, for example, can be moved into a closed position opposite the staple cartridge 10000. As described in greater detail below, the anvil 10060 can position tissue against the tissue thickness compensator 10020 and compress the tissue thickness compensator 10020 against the deck surface 10011 of the support portion 10010, for example. Once the anvil 10060 has been suitably positioned, the staples 10030 can be deployed, as also illustrated in FIG. 233. Optionally, as mentioned above, the staple-firing sled 10050 can be moved from the proximal end 10001 of the staple cartridge 10000 toward the distal end 10002, as illustrated in FIG. 234. As the sled 10050 is advanced, the sled 10050 can contact the staple drivers 10040 and lift the staple drivers 10040 upwardly within the staple cavities 10012. The sled 10050 and the staple drivers 10040 can each comprise one or more ramps, or inclined surfaces, which can co-operate to move the staple drivers 10040 upwardly from their unfired positions. For example, referring to FIGS. 221-225, each staple driver 10040 can comprise at least one inclined surface 10042 and the sled 10050 can comprise one or more inclined surfaces 10052 which can be configured such that the inclined surfaces 10052 can slide under the inclined surface 10042 as the sled 10050 is advanced distally within the staple cartridge. As the staple drivers 10040 are lifted upwardly within their respective staple cavities 10012, the staple drivers 10040 can lift the staples 10030 upwardly such that the staples 10030 can emerge from their staple cavities 10012 through openings in the staple deck 10011. During an exemplary firing sequence, referring primarily to FIGS. 227-229, the sled 10050 can first contact staple 10030a and begin to lift the staple 10030a upwardly. As the sled 10050 is advanced further distally, the sled 10050 can begin to lift staples 10030b, 10030c, 10030d, 10030e, and 10030f, and any other subsequent staples, in a sequential order. As illustrated in FIG. 229, the sled 10050 can drive the staples 10030 upwardly such that the legs 10032 of the staples contact the opposing anvil, are deformed to a desired shape, and ejected therefrom the support portion 10010. In various circumstances, the sled 10030 can move several staples upwardly at the same time as part of a firing sequence. With regard to the firing sequence illustrated in FIG. 229, the staples 10030a and 10030b have been moved into their fully fired

END6843WOPCT3

positions and ejected from the support portion 10010, the staples 10030c and 10030d are in the process of being fired and are at least partially contained within the support portion 10010, and the staples 10030e and 10030f are still in their unfired positions.

[0754] As discussed above, and referring to FIG. 235, the staple legs 10032 of the staples 10030 can extend above the deck surface 10011 of the support portion 10010 when the staples 10030 are in their unfired positions. With further regard to this firing sequence illustrated in FIG. 229, the staples 10030e and 10030f are illustrated in their unfired position and their staple legs 10032 extend above the deck surface 10011 and into the tissue thickness compensator 10020. The tips of the staple legs 10032, or any other portion of the staple legs 10032, may not protrude through a top tissue-contacting surface 10021 of the tissue thickness compensator 10020 when the staples 10030 are in their unfired positions. As the staples 10030 are moved from their unfired positions to their fired positions, as illustrated in FIG. 229, the tips of the staple legs can protrude through the tissue-contacting surface 10032. The tips of the staple legs 10032 can comprise sharp tips which can incise and penetrate the tissue thickness compensator 10020. The tissue thickness compensator 10020 can comprise a plurality of apertures which can be configured to receive the staple legs 10032 and allow the staple legs 10032 to slide relative to the tissue thickness compensator 10020. The support portion 10010 can further comprise a plurality of guides 10013 extending from the deck surface 10011. The guides 10013 can be positioned adjacent to the staple cavity openings in the deck surface 10011 such that the staple legs 10032 can be at least partially supported by the guides 10013. A guide 10013 can be positioned at a proximal end and/or a distal end of a staple cavity opening. According to the invention, a first guide 10013 can be positioned at a first end of each staple cavity opening and a second guide 10013 can be positioned at a second end of each staple cavity opening such that each first guide 10013 can support a first staple leg 10032 of a staple 10030 and each second guide 10013 can support a second staple leg 10032 of the staple. Referring to FIG. 235, each guide 10013 can comprise a groove or slot, such as groove 10016, for example, within which a staple leg 10032 can be slidably received. Optionally, each guide 10013 can comprise a cleat, protrusion, and/or spike that can extend from the deck surface 10011 and can extend into the tissue thickness compensator 10020. As discussed in greater detail below, the cleats, protrusions, and/or spikes can reduce relative movement between the tissue thickness compensator 10020 and the support portion 10010. The tips of the staple legs 10032 may be positioned within the guides 10013 and

END6843WOPCT3

may not extend above the top surfaces of the guides 10013 when the staples 10030 are in their unfired position. For example, the guides 10013 can define a guide height and the staples 10030 may not extend above this guide height when they are in their unfired position.

[0755] According to the invention, a tissue thickness compensator, such as tissue thickness compensator 10020, for example, can be comprised of a single sheet of material. A tissue thickness compensator can comprise a continuous sheet of material which can cover the entire top deck surface 10011 of the support portion 10010 or, alternatively, cover less than the entire deck surface 10011. The sheet of material can cover the staple cavity openings in the support portion 10010 while, alternatively, the sheet of material can comprise openings which can be aligned, or at least partially aligned, with the staple cavity openings. According to the invention, a tissue thickness compensator can be comprised of multiple layers of material. Referring now to FIG. 217, a tissue thickness compensator can comprise a compressible core and a wrap surrounding the compressible core. A wrap 10022 can be configured to releasably hold the compressible core to the support portion 10010. For example, the support portion 10010 can comprise one or more projections, such as projections 10014 (FIG. 220), for example, extending therefrom which can be received within one or more apertures and/or slots, such as apertures 10024, for example, defined in the wrap 10022. The projections 10014 and the apertures 10024 can be configured such that the projections 10014 can retain the wrap 10022 to the support portion 10010. The ends of the projections 10014 can be deformed, such as by a heat-stake process, for example, in order to enlarge the ends of the projections 10014 and, as a result, limit the relative movement between the wrap 10022 and the support portion 10010. The wrap 10022 can comprise one or more perforations 10025 which can facilitate the release of the wrap 10022 from the support portion 10010, as illustrated in FIG. 217. Referring now to FIG. 226, a tissue thickness compensator can comprise a wrap 10222 including a plurality of apertures 10223, wherein the apertures 10223 can be aligned, or at least partially aligned, with the staple cavity openings in the support portion 10010. The core of the tissue thickness compensator can also comprise apertures which are aligned, or at least partially aligned, with the apertures 10223 in the wrap 10222. Alternatively, the core of the tissue thickness compensator can comprise a continuous body and can extend underneath the apertures 10223 such that the continuous body covers the staple cavity openings in the deck surface 10011.

END6843WOPCT3

[0756] Optionally, as described above, a tissue thickness compensator can comprise a wrap for releasably holding a compressible core to the support portion 10010. For example, referring to FIG. 218, a staple cartridge can further comprise retainer clips 10026 which can be configured to inhibit the wrap, and the compressible core, from prematurely detaching from the support portion 10010. Optionally, each retainer clip 10026 can comprise apertures 10028 which can be configured to receive the projections 10014 extending from the support portion 10010 such that the retainer clips 10026 can be retained to the support portion 10010. The retainer clips 10026 can each comprise at least one pan portion 10027 which can extend underneath the support portion 10010 and can support and retain the staple drivers 10040 within the support portion 10010. As described above, a tissue thickness compensator can be removably attached to the support portion 10010 by the staples 10030. More particularly, as also described above, the legs of the staples 10030 can extend into the tissue thickness compensator 10020 when the staples 10030 are in their unfired position and, as a result, releasably hold the tissue thickness compensator 10020 to the support portion 10010. The legs of the staples 10030 can be in contact with the sidewalls of their respective staple cavities 10012 wherein, owing to friction between the staple legs 10032 and the sidewalls, the staples 10030 and the tissue thickness compensator 10020 can be retained in position until the staples 10030 are deployed from the staple cartridge 10000. When the staples 10030 are deployed, the tissue thickness compensator 10020 can be captured within the staples 10030 and held against the stapled tissue T. When the anvil is thereafter moved into an open position to release the tissue T, the support portion 10010 can be moved away from the tissue thickness compensator 10020 which has been fastened to the tissue. An adhesive can be utilized to removably hold the tissue thickness compensator 10020 to the support portion 10010. A two-part adhesive can be utilized wherein, a first part of the adhesive can be placed on the deck surface 10011 and a second part of the adhesive can be placed on the tissue thickness compensator 10020 such that, when the tissue thickness compensator 10020 is placed against the deck surface 10011, the first part can contact the second part to activate the adhesive and detachably bond the tissue thickness compensator 10020 to the support portion 10010. Optionally, any other suitable means could be used to detachably retain the tissue thickness compensator to the support portion of a staple cartridge.

[0757] Further to the above, the sled 10050 can be advanced from the proximal end 10001 to the distal end 10002 to fully deploy all of the staples 10030 contained within the staple cartridge

END6843WOPCT3

10000. Referring now to FIGS. 258-262, the sled 10050 can be advanced distally within a longitudinal cavity 10016 within the support portion 10010 by a firing member, or knife bar, 10052 of a surgical stapler. In use, the staple cartridge 10000 can be inserted into a staple cartridge channel in a jaw of the surgical stapler, such as staple cartridge channel 10070, for example, and the firing member 10052 can be advanced into contact with the sled 10050, as illustrated in FIG. 258. As the sled 10050 is advanced distally by the firing member 10052, the sled 10050 can contact the proximal-most staple driver, or drivers, 10040 and fire, or eject, the staples 10030 from the cartridge body 10010, as described above. As illustrated in FIG. 258, the firing member 10052 can further comprise a cutting edge 10053 which can be advanced distally through a knife slot in the support portion 10010 as the staples 10030 are being fired. According to the invention, a corresponding knife slot can extend through the anvil positioned opposite the staple cartridge 10000 such that, the cutting edge 10053 can extend between the anvil and the support portion 10010 and incise the tissue and the tissue thickness compensator positioned therebetween. In various circumstances, the sled 10050 can be advanced distally by the firing member 10052 until the sled 10050 reaches the distal end 10002 of the staple cartridge 10000, as illustrated in FIG. 260. At such point, the firing member 10052 can be retracted proximally. The sled 10050 can be retracted proximally with the firing member 10052 but referring now to FIG. 261, the sled 10050 can be left behind in the distal end 10002 of the staple cartridge 10000 when the firing member 10052 is retracted. Once the firing member 10052 has been sufficiently retracted, the anvil can be re-opened, the tissue thickness compensator 10020 can be detached from the support portion 10010, and the remaining non-implanted portion of the expended staple cartridge 10000, including the support portion 10010, can be removed from the staple cartridge channel 10070.

[0758] After the expended staple cartridge 10000 has been removed from the staple cartridge channel, further to the above, a new staple cartridge 10000, or any other suitable staple cartridge, can be inserted into the staple cartridge channel 10070. Further to the above, the staple cartridge channel 10070, the firing member 10052, and/or the staple cartridge 10000 can comprise co-operating features which can prevent the firing member 10052 from being advanced distally a second, or subsequent, time without a new, or unfired, staple cartridge 10000 positioned in the staple cartridge channel 10070. More particularly, referring again to FIG. 258, as the firing member 10052 is advanced into contact with the sled 10050 and, when the sled 10050 is in its

END6843WOPCT3

proximal unfired position, a support nose 10055 of the firing member 10052 can be positioned on and/or over a support ledge 10056 on the sled 10050 such that the firing member 10052 is held in a sufficient upward position to prevent a lock, or beam, 10054 extending from the firing member 10052 from dropping into a lock recess defined within the staple cartridge channel. As the lock 10054 will not drop into the lock recess, in such circumstances, the lock 10054 may not abut a distal sidewall 10057 of the lock recess as the firing member 10052 is advanced. As the firing member 10052 pushes the sled 10050 distally, the firing member 10052 can be supported in its upward firing position owing to the support nose 10055 resting on the support ledge 10056.

When the firing member 10052 is retracted relative to the sled 10050, as discussed above and illustrated in FIG. 261, the firing member 10052 can drop downwardly from its upward position as the support nose 10055 is no longer resting on the support ledge 10056 of the sled 10050. For example, the surgical staple can comprise a spring 10058, and/or any other suitable biasing element, which can be configured to bias the firing member 10052 into its downward position. Once the firing member 10052 has been completely retracted, as illustrated in FIG. 262, the firing member 10052 cannot be advanced distally through the spent staple cartridge 10000 once again. More particularly, the firing member 10052 can't be held in its upper position by the sled 10050 as the sled 10050, at this point in the operating sequence, has been left behind at the distal end 10002 of the staple cartridge 10000. Thus, as mentioned above, in the event that the firing member 10052 is advanced once again without replacing the staple cartridge, the lock beam 10054 will contact the sidewall 10057 of the lock recess which will prevent the firing member 10052 from being advanced distally into the staple cartridge 10000 once again. Stated another way, once the spent staple cartridge 10000 has been replaced with a new staple cartridge, the new staple cartridge will have a proximally-positioned sled 10050 which can hold the firing member 10052 in its upper position and allow the firing member 10052 to be advanced distally once again.

[0759] As described above, the sled 10050 can be configured to move the staple drivers 10040 between a first, unfired position and a second, fired position in order to eject staples 10030 from the support portion 10010. The staple drivers 10040 can be contained within the staple cavities 10012 after the staples 10030 have been ejected from the support portion 10010. The support portion 10010 can comprise one or more retention features which can be configured to block the staple drivers 10040 from being ejected from, or falling out of, the staple cavities 10012.

END6843WOPCT3

Alternatively, the sled 10050 can be configured to eject the staple drivers 10040 from the support portion 10010 with the staples 10030. For example, the staple drivers 10040 can be comprised of a bioabsorbable and/or biocompatible material, such as Ultem, for example. The staple drivers can be attached to the staples 10030. For example, a staple driver can be molded over and/or around the base of each staple 10030 such that the driver is integrally formed with the staple. U.S. Patent Application Serial No. 11/541,123, entitled SURGICAL STAPLES HAVING COMPRESSIBLE OR CRUSHABLE MEMBERS FOR SECURING TISSUE THEREIN AND STAPLING INSTRUMENTS FOR DEPLOYING THE SAME, filed on September 29, 2006, is hereby incorporated by reference in its entirety.

[0760] In various circumstances, further to the above, a compressible tissue thickness compensator can move, twist, and/or deflect relative to the underlying rigid support portion of a staple cartridge. The support portion, and/or any other suitable portion of the staple cartridge, can comprise one or more features configured to limit relative movement between the tissue thickness compensator and the support portion. As described above, at least a portion of the staples 10030 can extend above the deck surface 10011 of the support portion 10010 wherein, in certain circumstances, referring now to FIGS. 263 and 264, lateral forces applied to a tissue thickness compensator 10120, for example, can be resisted by the staples 10030 and/or the cleats 10013 extending from the support portion 10010, for example. In various circumstances, the staples 10030 may tilt and/or bend within the staple cavities 10012 while resisting the lateral movement of the tissue thickness compensator 10120 wherein, the staple cavities 10012 and the staples 10030 can be sized and configured to maintain the relative alignment between the legs 10032 of the staples 10030 and the forming pockets 10062 in the opposing anvil 10060 such that the staples 10000 are properly formed during the staple forming process. The staples 10030 and/or the cleats 10013 can be configured to prevent or at least limit lateral distortion within the tissue thickness compensator 10020, as illustrated in FIG. 264. For example, the staples 10030 and/or cleats 10013, for example, can be configured to stiffen, or limit the lateral and/or longitudinal movement of, a first, or tissue-contacting, surface 10021 of the tissue thickness compensator relative to a second, or bottom, surface 10029. According to the invention, a staple cartridge, and/or a staple cartridge channel in which the staple cartridge is positioned, can comprise at least one distortion minimizing member which can extend upwardly to limit the lateral and/or longitudinal movement, or distortion, of a tissue thickness compensator. A wrap at

END6843WOPCT3

least partially surrounding a tissue thickness compensator, as discussed above, may also prevent, or at least limit, the lateral and/or longitudinal movement, or distortion, of the tissue thickness compensator.

[0761] Referring again to FIGS. 263 and 264, a tissue thickness compensator, such as tissue thickness compensator 10120, for example, can comprise a core 10128 and a skin 10122. The skin 10122 and the compressible core 10128 can be comprised of different materials or, alternatively, of the same material. In either event, the skin 10122 can have a higher density than the core 10128. In circumstances where the skin 10122 comprises the top of the tissue thickness compensator 10120, the tips of the staple legs 10032 can be embedded in the skin 10122. Where a skin comprises the bottom of the tissue thickness compensator 10120, the staple legs 10032 can extend through the skin and into the core. In either event, the skin of the tissue thickness compensator can assist in holding the staple legs 10032 in alignment with the forming pockets 10062 of the anvil 10060. The skin 10122 can comprise a density which is approximately 10% greater than the density of the core 10128, approximately 20% greater than the density of the core 10128, approximately 30% greater than the density of the core 10128, approximately 40% greater than the density of the core 10128, approximately 50% greater than the density of the core 10128, approximately 60% greater than the density of the core 10128, approximately 70% greater than the density of the core 10128, approximately 80% greater than the density of the core 10128, approximately 90% greater than the density of the core 10128, and/or approximately 100% greater than the density of the core 10128, for example. The skin 10122 can comprise a density which is more than the density of the core 10128 and less than twice the density of the core 10128, for example. The skin 10122 can comprise a density which is over twice the density of the core 10128, for example. Further to the above, the skin 10122 and the core 10128 can be formed, or manufactured, simultaneously. For example, a fluid comprising any suitable material disclosed herein can be poured into a dish or mold and, while the fluid solidifies, the fluid can form a skin, or layer, which has a higher density than the remainder of the material. Optionally, multiple layers within a material can be formed by utilizing a process in which one or more subsequent layers of material are poured onto a previously cured layer. Two or more layers can be bonded to each other with an adhesive, for example. Two or more layers can be attached to each other by one or more fasteners and/or one or more mechanical interlocking features, for example. For example, adjacent layers can be connected together by one or more dovetail joints,

END6843WOPCT3

for example. The skin can comprise a sealed surface which can prevent, or at least limit, the flow of fluid therethrough. The skin can comprise an open cell porous structure, for example.

[0762] Further to the above, the skin can be cut off of the tissue thickness compensator. The tissue thickness compensator can be cut from a larger block of material such that the tissue thickness compensator does not comprise a skin. For example, the tissue thickness compensator can be comprised of a homogenous, or at least substantially homogeneous, material, comprising large pores, for example.

[0763] According to the invention, a staple cartridge can comprise a plurality of staple cavities each containing a staple positioned therein wherein the staple cavities can be arranged in a plurality of rows, and wherein an anvil positioned opposite the staple cartridge can comprise a plurality of forming pockets which correspond to the staple cavities in the staple cartridge. Stated another way, the anvil can comprise a plurality of forming pocket rows wherein each forming pocket can be positioned opposite a staple cavity in the staple cartridge. Optionally, each forming pocket can comprise two forming cups configured to receive the staple legs 10032 of a staple 10030 wherein each forming cup is configured to receive a staple leg 10032 and form or curl the staple leg 10032 toward the other staple leg 10032, for example. In various circumstances, the legs 10032 may miss or not properly enter into the forming cups and, as a result, the staple legs 10032 may become malformed during the firing sequence. As described herein, an anvil can comprise an array, or grid, of forming pockets which are each configured to receive and form a staple leg. For example, the array of forming pockets can comprise a quantity of forming pockets that exceeds the quantity of staples contained within the staple cartridge. A staple cartridge can comprise six longitudinal rows of staple cavities, for example, wherein the anvil can comprise six rows of forming pockets aligned with the six rows of staple cavities and, in addition, forming pockets positioned intermediate the rows of forming pockets. For example, on one side of the anvil, the anvil can comprise a first row of forming pockets which can be positioned over a first row of staple cavities, a second row of forming pockets which can be positioned over a second row of staple cavities that is adjacent to the first row of staple cavities, and, in addition, a row of forming pockets positioned intermediate the first row of forming pockets and the second row of forming pockets. Referring now to FIGS. 276-279, an anvil 10260 can comprise six rows of forming pockets 10261 which can be configured to be placed over six corresponding rows of staple cavities in the staple cartridge 10200. For example, rows of intermediate forming pockets

END6843WOPCT3

10262 can be positioned intermediate and/or adjacent to the rows of forming pockets 10261. Referring now to FIGS. 277, 278, and 280, each forming pocket 10261 and 10262 can comprise two forming cups, wherein each forming cup can comprise a distal portion 10263 which can be configured to form or curl a staple leg 10032 proximally and a proximal portion 10264 which can be configured to form or curl a staple leg 10032 distally. In various other circumstances, the staples 10030 can be formed in a variety of other ways. For example, a staple 10030 can be formed such that one leg 10032 is formed outwardly and the other leg 10032 is formed inwardly (FIG. 281), or such that both legs 10032 are formed outwardly (FIG. 282) depending on, one, which forming cups that the staple legs 10032 enter into and/or, two, whether the legs 10032 enter into the proximal portion 10263 or the distal portion 10064 of each forming cup, for example.

[0764] Further to the above, each forming pocket 10261 and/or forming pocket 10262 can comprise a triangular or diamond-like shape, for example. Each distal portion 10263 and/or each proximal portion 10264 of the forming pockets can comprise a triangular shape wherein, for example, the triangular shapes of the distal portions 10263 and the proximal portions 10264 can be arranged such that they have vertices pointing in opposite directions. An anvil can comprise an array of substantially square forming pockets, for example. For example, the forming surface of each square forming pocket can comprise an arcuate surface that extends between the sides of the square. An anvil can comprise an array of circular or spherical dimples, for example. Further to the above, the forming pockets 10261 can be positioned along one or more lines and, similarly, the forming pockets 10262 can also be positioned along one or more lines.

Alternatively, the forming pockets 10261 and/or the forming pockets 10262 can be arranged in one or more circular rows. For example, the forming pockets 10261 can be arranged along a primary circumference and the forming pockets 10262 can be arranged along a different circumference. The primary circumference and the different circumference can be concentric, or at least substantially concentric. The forming pockets 10262 can be arranged along an inner circumference positioned radially inwardly with respect to the primary circumference and/or an outer circumference positioned radially outwardly with respect to the primary circumference, for example. The primary circumference can be defined by a primary diameter, the inner circumference can be defined by an inner diameter, and the outer circumference can be defined

END6843WOPCT3

by an outer diameter. For example, the inner diameter can be shorter than the primary diameter and the outer diameter can be longer than the primary diameter.

[0765] Optionally, as described above, an anvil can be moved from an open position to a closed position in order to compress tissue against the tissue thickness compensator of a staple cartridge, such as tissue thickness compensator 10020, for example. In various circumstances, the tissue thickness compensator can be positioned adjacent to the support portion of the staple cartridge prior to the tissue thickness compensator being positioned relative to the tissue. The tissue thickness compensator 10020 can be in a position in which it abuts the support portion 10018 prior to the anvil being moved into its closed position. The tissue thickness compensator 10020 can be in a position in which a gap is present between the tissue thickness compensator 10020 and the support portion 10018. For example, the anvil can displace the tissue and the tissue thickness compensator 10020 downwardly until the tissue thickness compensator 10020 abuts the support portion 10018 wherein, at such point, the anvil can be moved into its closed position and generate compression within the tissue. In the event that a surgeon is not satisfied with the positioning of the tissue between the anvil and the staple cartridge, the surgeon can open the anvil, adjust the position of the anvil and the staple cartridge, and close the anvil once again. Owing to such positioning and re-positioning of the staple cartridge relative to the tissue, in various circumstances, the distal end of the tissue thickness compensator 10020 may become dislodged from the support portion 10010, for example. In some such circumstances, the distal end of the tissue thickness compensator 10020 can contact the tissue and peel away from, or roll relative to, the support portion 10010. Optionally, as described in greater detail below, a staple cartridge can comprise one or more features configured to releasably retain a tissue thickness compensator to an underlying support portion of the staple cartridge

[0766] Referring now to FIG. 265, a staple cartridge 10300 can comprise a support portion 10310, a tissue thickness compensator 10320 supported by the support portion 10310, and a distal end 10302 which includes a nose 10303 configured to releasably hold a distal end 10325 of the tissue thickness compensator 10320 in position. The nose 10303 can comprise a slot 10305 configured to receive the distal end 10325 of the tissue thickness compensator 10320. The distal end 10325 can be compressed, or wedged, within the slot 10305 such that the distal end 10325 can be held in place as the staple cartridge 10300 is positioned relative to the tissue. For example, the slot 10305 can be oriented in a direction which is parallel, or at least substantially

END6843WOPCT3

parallel, to the deck surface 10311 of the support portion 10310. The slot 10305 can be horizontal with respect to the deck surface 10311. Alternatively, referring now to FIG. 266, a staple cartridge 10400 can comprise a support portion, a tissue thickness compensator 10420 supported by support portion, and a distal end 10402 which includes a nose 10403 configured to releasably hold the distal end 10425 of the tissue thickness compensator 10420 in position. The distal end 10425 can comprise a projection extending therefrom and the nose 10403 can comprise a vertical slot 10405 configured to receive the projection of the distal end 10425. The distal end 10425, and/or the projection extending therefrom, can be compressed, or wedged, within the slot 10405 such that the distal end 10425 can be held in place as the staple cartridge 10400 is positioned relative to the tissue. The tissue thickness compensator 10420 can comprise a slot, such as slot 10429, for example, which can be configured to receive at least a portion of the nose 10403 therein. The slot 10405 can be oriented in a direction which is perpendicular, or at least substantially perpendicular, to the deck surface 10411 of the support portion. Referring now to FIG. 267, a staple cartridge 10500 can comprise a support portion, a tissue thickness compensator 10520 supported by the support portion, and a distal end 10502 which includes a nose configured to releasably hold the distal end 10525 of the tissue thickness compensator 10520 in position. The nose can comprise a vertical slot 10505 configured to receive the distal end 10525 of the tissue thickness compensator 10520. The distal end 10525 can be compressed, or wedged, within the slot 10505 such that the distal end 10525 can be held in place as the staple cartridge 10500 is positioned relative to the tissue.

[0767] Referring again to FIG. 265, the tissue thickness compensator 10320 can comprise a top surface 10324 which can be positioned above the top surface 10304 of the nose 10303. Another example in which the top surface of a tissue thickness compensator is positioned above the nose of the staple cartridge is illustrated in FIG. 238, wherein the top surface 10721 of the tissue thickness compensator 10720 is positioned above the top surface 10004 of the nose 10003, for example. In use, referring once again to FIG. 265, tissue can slide over the top surface 10304 of the nose 10303 and, in some circumstance, the tissue can contact the distal end 10325 of the tissue thickness compensator 10320 and can apply a force to the tissue thickness compensator 10320 tending to peel the tissue thickness compensator 10320 away from the support portion 10310. This peel force can be resisted by the portion of the distal end 10325 wedged within the nose 10303. In any event, once the tissue has been suitably positioned relative to the staple

END6843WOPCT3

cartridge 13000, an anvil can be rotated into a closed position to compress the tissue and the tissue thickness compensator 10320 against the support portion 10310. For example, the anvil can be rotated into a position in which the anvil contacts the top surface 10304 of the nose 10303 and, as a result, the anvil can be prevented from rotating further. In various circumstances, owing to the top surface 10324 of the tissue thickness compensator 10320 being positioned above the top surface 10304 of the nose 10303, the top surface 10324 can be pushed downwardly toward the support portion 10310 as the anvil is being closed and, in some circumstances, the top surface 10324 can be pushed below the top surface 10304 of the nose 10303, for example. After the staples contained within the staple cartridge 10300 have been deployed and the tissue thickness compensator 10320 has been incised, as described herein, the support portion 10310 and the nose 10303 can be moved away from the tissue thickness compensator 10320 such that the distal end 10325 of the tissue thickness compensator 10320 can slide out of the slot 10305.

[0768] As described above, an anvil, such as anvil 10060, for example, can be rotated into a closed position in which the anvil 10060 contacts the top nose surface 10004 of a staple cartridge, such as staple cartridge 10000, for example. Once the anvil has reached its closed position, the amount in which a tissue thickness compensator, such as tissue thickness compensator 10020, for example, is compressed will depend on, among other things, the uncompressed thickness, or height, of the tissue thickness compensator and the thickness of the tissue. Referring now to FIGS. 236 and 237, a tissue thickness compensator 10920 can comprise a top surface which is flush, or at least substantially flush, with the top surface 10004 of the nose 10003. In such cases, the top surface of the tissue thickness compensator 10920 can be pushed below the top surface 10004 of the nose 10003. Referring now to FIGS. 241 and 242, a tissue thickness compensator, such as tissue thickness compensator 10820, for example, can comprise a top surface 10821 which is positioned below the top nose surface 10004 prior to the tissue thickness compensator 10820 being compressed by the tissue T and anvil 10060. In the circumstances where the tissue T is relatively thin, as illustrated in FIGS. 239 and 240, the tissue thickness compensator 10920 may undergo relatively little compression. Referring now to FIGS. 241 and 242, the tissue thickness compensator 10820 may undergo a larger compression when the tissue T is relatively thicker. In the circumstances where the tissue T has both thin sections and thicker sections, as illustrated in FIGS. 243 and 244, the tissue thickness compensator 10820 may be compressed a larger amount when it is positioned under the thicker tissue T and a lesser

END6843WOPCT3

amount when it is positioned under the thinner tissue T, for example. In this way, as described above, the tissue thickness compensator can compensate for different tissue thicknesses.

[0769] Referring now to FIGS. 268-270, a surgical stapling instrument can comprise, one, a cartridge channel 16670 configured to receive a staple cartridge 16600 and, two, an anvil 16660 pivotably coupled to the cartridge channel 16670. The staple cartridge 16600 can comprise a support portion 16610 and a tissue thickness compensator 16620 wherein a distal end 16625 of the tissue thickness compensator 16620 can be releasably held to the support portion 16610 by a nose 16603 at the distal end 16602 of the staple cartridge 16600. The nose 16603 can comprise a slot 16605 and can be comprised of a flexible material. In use, referring primarily to FIG. 269, the nose 16603 can be flexed downwardly in order to expand the opening of slot 16605. The nose 16603 can comprise notches or cut-outs 16606 which can be configured to permit the nose 16603 to flex downwardly. In any event, in various circumstances, the expanded opening of the slot 16605 can facilitate the insertion of the distal end 16625 of the tissue thickness compensator 16620 into the slot 16605. Once the tissue thickness compensator 16620 has been suitably positioned, the nose 16603 can be released and, owing to the resiliency of the material comprising the nose 16603, the nose 16603 can return, or at least substantially return, to its unflexed condition and trap the distal end 16625 of the tissue thickness compensator 16620 against the deck surface 16611, as illustrated in FIG. 270. In use, similar to the above, the distal end 16625 can be pulled out of the slot 16605 when the support portion 16610 is moved away from the stapled tissue. In various circumstances, the flexible nose 16603 can be configured to deflect as the tissue thickness compensator 16620 is detached from the support portion 16610. Referring again to FIG. 270, the tissue thickness compensator 16620 can comprise a top surface 16621 which is aligned, or at least substantially aligned, with a top surface 16604 of the nose 16603.

[0770] Referring to FIG. 271, a surgical stapling instrument can comprise, one, a channel 10770 configured to receive a staple cartridge 10700 and, two, an anvil 10760 rotatably coupled to the channel 10770. The staple cartridge 10700 can comprise a support portion 10710 and a tissue thickness compensator 10720. The tissue thickness compensator 10720 can be held in position by a nose sock 10703 which can be slid over the support portion 10710. Referring primarily to FIG. 272, the nose sock 10703 can comprise one or more side slots 10707 which can be configured to removably receive one or more attachment rails extending along the support

END6843WOPCT3

portion 10710, for example. The tissue thickness compensator 10720 can be positioned intermediate the side slots 10707. The nose sock 10703 can further comprise a distal end 10702 and a cavity 10706 defined in the distal end 10702 wherein the cavity 10706 can also be configured to receive at least a portion of the support portion 10710, for example, therein. In use, the nose sock 10703 can be slid onto the support portion 10710 in a distal to proximal direction. The tissue thickness compensator 10720 can be removably mounted to the nose sock 10703 such that, after staples have been fired through the tissue thickness compensator 10720, the tissue thickness compensator 10720 can detach from the nose sock 10703 as the support portion 10710 and the nose sock 10703 are moved away from the tissue thickness compensator 10720. The top surface 10721 of the tissue thickness compensator 10720 can be positioned below the top surface 10704 of the nose 10703.

[0771] Referring now to FIGS. 273 and 274, a surgical stapling instrument can comprise, one, a staple cartridge channel 11070 configured to receive a staple cartridge 11000 and, two, an anvil 11060 rotatably coupled to the channel 11070. The staple cartridge 11000 can comprise a support portion 11010 and a tissue thickness compensator 11020. The tissue thickness compensator 11020 can be held in position by a one or more longitudinal rails 11019 extending from the deck 11011 of the support portion 11010. The longitudinal rails 11019 can be embedded within the tissue thickness compensator 11020. Referring primarily to FIG. 274, the tissue thickness compensator 11020 can comprise a longitudinal recess 11029 which can be configured to receive the longitudinal rails 11019. For example, the recess 11029 can be sized and configured to receive the rails 11019 in a press-fit arrangement, for example. Such features, further to the above, can be configured to prevent, or at least limit, relative lateral movement between the tissue thickness compensator 11020 and the support portion 11010 and, in addition, limit the pre-mature release of the tissue thickness compensator 11020 from the support portion 11010, for example. Referring now to FIG. 275, a surgical stapling instrument can comprise, one, a staple cartridge channel 11170 configured to receive a staple cartridge 11100 and, two, an anvil 11160 rotatably coupled to the channel 11170. The staple cartridge 11100 can comprise a support portion 11110 and a tissue thickness compensator 11120. The tissue thickness compensator 11120 can be held in position by one or more longitudinal rows of spikes, or teeth, 11119 extending from the deck 11111 of the support portion 11110. The longitudinal rows of spikes 11119 can be embedded within the tissue thickness compensator 11120.

END6843WOPCT3

[0772] With regard to FIG. 273, further to the above, the tissue thickness compensator 11020 of the staple cartridge 11000 can be progressively released from the support portion 11010 as the staples are ejected from the staple cavities 10012 defined therein. More particularly, further to the above, the staples positioned in the staple cavities 10012 can be ejected sequentially between the proximal end 11001 of the staple cartridge 11000 and the distal end 11002 of the staple cartridge 11000 such that, as the staples are being ejected, the staples can apply an upward biasing force to the tissue thickness compensator 11020 which acts to push the tissue thickness compensator 11020 off of the rails 11019. In such circumstances, the proximal end 11006 of the tissue thickness compensator 11020 can be released from the support portion 11010 as the staples are ejected from the proximal-most staple cavities 10012. The tissue thickness compensator 11020 can then be progressively released from the support portion 11010 as the staples are progressively ejected from the support portion 11010 between the proximal end 11001 and the distal end 11002 of the staple cartridge 11000. When the staples positioned within the distal-most staple cavities 10012 are ejected from the support portion 11010, the distal end 11007 of the tissue thickness compensator 11020 can be released from the support portion 11010. With regard to FIG. 275, the tissue thickness compensator 11120 can be progressively released from the spikes 1119 extending from the support portion 11110 as the staples are progressively ejected from the staple cartridge between the proximal end 11101 and the distal end 11102.

[0773] As discussed above, a tissue thickness compensator can be progressively released from the support portion of a staple cartridge as the staples are progressively ejected from the support portion and contact the tissue thickness compensator. The legs of the staple, such as staple legs 10032, for example, may be able to pass through the tissue thickness compensator without releasing the tissue thickness compensator from the support portion. In such cases, the tissue thickness compensator may remain engaged with the support portion until the bases of the staples, such as bases 10031, contact the tissue thickness compensator and push it upwardly. Optionally, however, cleats and/or other retention features extending from the support portion, for example, may oppose the release of the tissue thickness compensator from the support portion. As described in greater detail below, a support portion can comprise retention features which can be configured to progressively release a tissue thickness compensator from the support portion as the staples are progressively fired from the staple cartridge. Referring now to

END6843WOPCT3

FIG. 283, a staple cartridge, such as staple cartridge 11200, for example, can comprise a support portion 11210 including retention features 11213 which can be configured to releasably hold a tissue thickness compensator 11220 (FIG. 284) to the support portion 11210. The retention features 11213 can be positioned at the ends of each staple cavity 11212, for example, wherein each retention feature 11213 can comprise a guide groove 11216 defined therein which is configured to slidably receive a staple leg 10032 of a staple 10030. In such cases, both the staple legs 10032 and the retention features 11213 can be configured to releasably retain the tissue thickness compensator 11220 to the support portion 11210. In use, referring now to FIG. 284, staple drivers 10040 contained within the support portion 11210 can be driven upwardly by a sled 10050, as described above, wherein the staple drivers 10040 can be configured to contact the retention features 11213, at least partially detach the retention features 11213 from the support portion 11210, and displace the retention features 11213 outwardly and away from the staples 10030 and the staple cavities 11212. When the retention features 11213 are detached from the support portion 11210 and/or displaced outwardly, as illustrated in FIG. 284, the retention features 11213 may no longer be able to retain the tissue thickness compensator 11220 to the support portion 11210 and, as a result, the tissue thickness compensator 11220 can be released from the support portion 11210. Similar to the above, the tissue thickness compensator 11220 can be progressively released from the support portion 11210 as the staples 10030 are progressively ejected from the staple cartridge toward an anvil, such as anvil 11260, for example. The staple drivers 10040 may contact the retention features 11213 when the top surfaces of the staple drivers 10040 become co-planar, or at least substantially co-planar, with the deck surface 11211 of the support portion 11210, for example. In such cases, the tissue thickness compensator 11220 may be released from the support portion 11210 at the same time as and/or just before the staples 10030 are formed to their fully-formed, or fully-fired, configuration. For example, referring primarily to FIG. 285, the drivers 10040 can be overdriven such that they are pushed above the deck surface 11211 to fully form the staples 10030 and, during the process of being overdriven, break the retention features 11213 away from the support portion 11210. Referring again to FIG. 284, the retention features 11213 may extend over, or overhang, into the staple cavities 11212 prior to being detached or displaced outwardly such that the drivers 10040 can contact the retention features 11213 just as the drivers 10040 reach the deck surface 11211. In any event, once the tissue thickness compensator 11220 has been released from the support

END6843WOPCT3

portion 11210, referring now to FIG. 285, the support portion 11210 can be moved away from the implanted tissue thickness compensator 11220.

[0774] As described above, a compressible tissue thickness compensator of a staple cartridge can be progressively released from a support portion, or cartridge body, of the staple cartridge as the staples are fired, or deployed, from the staple cartridge. In various circumstances, such a release can comprise a progressive loosening of the tissue thickness compensator from the support portion wherein, in some circumstances, a complete detachment of the tissue thickness compensator from the support portion may not occur until the anvil is opened and the support portion is moved away from the implanted tissue thickness compensator. Referring now to FIG. 289, a staple cartridge, such as staple cartridge 11300, for example, can comprise a tissue thickness compensator 11320 which is releasably retained to a support portion 11310. The support portion 11310 can comprise a plurality of retention members 11313 extending therefrom which are configured to releasably compress and hold the longitudinal sides of the tissue thickness compensator 11320 to the support portion 11310. For example, each retention member 11313 can comprise an inwardly-facing channel or slot 11316 which can be configured to receive the longitudinal sides of the tissue thickness compensator 11320 therein. In various circumstances, a plurality of retention members 11313 can extend along a first longitudinal side of the support portion 11310 and a plurality of retention members 11313 can extend along a second longitudinal side of the support portion 11310 wherein, in certain circumstances, the retention members 11313 can be configured to prevent, or at least limit, relative lateral movement between the tissue thickness compensator 11320 and the support portion 11310 and, in addition, prevent, or at least limit, the premature release of the tissue thickness compensator 11320 from the support portion 11310. The retention members 11313 can be integrally formed with the support portion 11310 and, referring to FIG. 290, the retention members 11313 can be configured to detach, or at least partially detach, from the support portion 11310 in order to allow the tissue thickness compensator 11320 to detach from the support portion 11310, as illustrated in FIG. 291, for example. An anvil, such as anvil 11360, for example, can be configured to compress the tissue thickness compensator 11320 and, in response to pressure generated within the tissue thickness compensator 11320, the tissue thickness compensator 11320 can expand laterally to at least partially detach, or disengage, the retention members 11313 from the tissue thickness compensator 11320. The advancement of a knife member, discussed above, through

END6843WOPCT3

the anvil 11360 and the staple cartridge 11300 can deploy the staples contained therein and, simultaneously, squeeze the anvil 11360 and the staple cartridge 11300 closer to one another which can apply an added compressive pressure to the tissue thickness compensator 11320 and thereby cause the retention members 11313 to sequentially detach as the knife member passes through the staple cartridge 11300.

[0775] Referring now to FIGS. 292-294, a staple cartridge, such as staple cartridge 11400, for example, can comprise a tissue thickness compensator 11420 removably attached to a support portion 11410. The staple cartridge 11400 can comprise one or more retainer bars 11413 which can be configured to hold the longitudinal sides of the tissue thickness compensator 11420 to the deck surface 11411. For example, each retainer bar 11413 can comprise opposing arms 11418 which can define a channel 11416 therebetween. In such cases, one of the arms 11418 can be configured to extend over the tissue thickness compensator 11420 and the other arm 11418 can be configured to extend under a lip 11419 extending from the support portion 11410. Referring primarily to FIG. 292, the channel 11416 of each retainer bar 11413 can be sized and configured to apply a compressive force to the longitudinal sides of the tissue thickness compensator 11420 prior to the staple cartridge 11400 being used. During use, referring primarily to FIG. 293, the staple cartridge 11400 can be positioned within a staple cartridge channel and, once the staple cartridge 11400 has been suitably positioned, an anvil, such as anvil 11460, for example, can be moved into a position in which it can compress the tissue thickness compensator 11420. Similar to the above, the thickness tissue compensator 11420, when compressed, can expand laterally, or outwardly, and, as a result, detach the retainer bars 11413 from the staple cartridge 11400. The closing of the anvil 11460 may not detach, or may not completely detach, the retainer bars 11413 from the staple cartridge. For example, the advancement of a firing bar, described above, through the staple cartridge 11400 can deploy the staples 10030 from the support portion 11410 and, simultaneously, squeeze the anvil 11460 and the staple cartridge 11400 closer together to apply a compressive force to the tissue thickness compensator 11420 that is sufficient to cause the tissue thickness compensator 11420 to expand laterally and detach the retainer bars 11413 from the staple cartridge 11400. Once the retainer bars 11413 have been detached from the staple cartridge 11400, referring to FIG. 294, the support portion 11410 can be moved away from the implanted tissue thickness compensator 11420 and removed from the surgical site. Alternatively, referring now to FIG. 295, a staple cartridge 11400' can comprise retainer bars 11413' which,

END6843WOPCT3

similar to the above, can comprise arms 11418' extending therefrom. For example, each of the arms 11418' can comprise a wedge-lock bevel 11417' which can be configured to releasably latch the retainer bars 11413' to the staple cartridge 11400'. More particularly, the support portion 11410' of the staple cartridge 11400' can comprise undercuts 11419' which, in cooperation with the wedge-lock bevels 11417', can be configured to releasably retain the retainer bars 11413' to the staple cartridge 11400 and inhibit the tissue thickness compensator 11420 from being prematurely detached from the support portion 11410'. During use, similar to the above, the retainer bars 11413' can be detached from the staple cartridge 11400' when a sufficient compressive force is applied to the tissue thickness compensator 11420, for example.

[0776] In various circumstances, as described above and referring again to FIGS. 259 and 260, the sled 10050 of the staple cartridge 10000 and the firing member 10052 of a surgical stapling instrument can be moved from the proximal end 10001 of the staple cartridge 10000 to the distal end 10002 (FIG. 219) of the staple cartridge 10000 in order to deploy the staples 10030 from the support portion 10010. In at least one such circumstance, each staple 10030 can be moved from an unfired position to a fired position and ejected from the support portion 10010 to capture the entirety of the tissue thickness compensator 10020 against the tissue positioned between the anvil 10060 and the staple cartridge 10000. In certain circumstances, a surgeon may not need to fire all of the staples 10030 from the staple cartridge 10000 and the surgeon may stop the progression of the sled 10050 and the firing bar 10052 at a point located intermediate the proximal end 10001 and the distal end 10002 of the staple cartridge 10000. In such circumstances, the tissue thickness compensator 10020 may only be partially implanted to the tissue T and, in order to detach the unimplanted portion of the tissue thickness compensator 10020 from the support portion 10010, the surgeon can pull the support portion 10010 away from the partially implanted tissue thickness compensator 10020 such that the unimplanted portion peels or pulls off of the support portion 10010. While These are suitable in various circumstances, an improvement is illustrated in FIGS. 300-302 wherein a tissue thickness compensator, such as tissue thickness compensator 11520 of staple cartridge 11500, for example, can comprise a plurality of connected segments which can be configured to detach from one another. For example, the tissue thickness compensator 11520 can comprise a first, or proximal-most, segment 11520a, a second segment 11520b removably connected to the first segment 11520a, a third segment 11520c removably connected to the second segment 11520b, a fourth

END6843WOPCT3

segment 11520d removably connected to the third segment 11520c, and a fifth segment 11520e removably connected to the fourth segment 11520d, for example. The tissue thickness compensator 11520 can comprise at least one thin section 11529 positioned intermediate any two adjacent segments 11520a-11520e which can be configured to define a pre-determined rupture or separation point in which the tissue thickness compensator segments can separate from one another. A tissue thickness compensator can include any suitable arrangement of perforations, thin sections, and/or any other means for creating a separation point within the tissue thickness compensator. Referring primarily to FIG. 301, an anvil 11560 is illustrated in a closed position and the firing member 10052 is illustrated as having been partially advanced through the staple cartridge 11500 such that the staples 10030 underlying the first segment 11520a, the second segment 11520b, and the third segment 11520c have been fired to capture the tissue thickness compensator 11520 against the tissue T. In such a position, the firing member 10052 has not yet been advanced to deploy the staples 10030 underlying the fourth segment 11520d and the fifth segment 11520e, for example. Referring now to FIG. 302, the anvil 11560 has been moved into an open position and the support portion 11510 of the staple cartridge 11500 has been moved away from the portion of the tissue thickness compensator 11520 that has been implanted. As illustrated in FIG. 302, the thin section 11529 (FIG. 300) located intermediate the third segment 11520c and the fourth segment 11520d has allowed the unimplanted portion of the tissue thickness compensator 11520 to separate from the implanted portion.

[0777] Further to the above, a staple cartridge can comprise a plurality of fasteners configured to releasably hold a tissue thickness compensator to a support portion of the staple cartridge. The support portion can comprise a plurality of apertures defined in the deck surface, for example, wherein the fasteners can extend through the tissue thickness compensator and can be releasably retained in the support portion apertures. In use, the fasteners can be progressively released from the support portion as the staples are progressively ejected from the support portion. For example, the fasteners can be implanted with the tissue thickness compensator and, the fasteners can be comprised of at least one bioabsorbable material, for example. The fasteners can detach from the support portion after the tissue thickness compensator has been at least partially implanted and as the support portion is moved away from the implanted tissue thickness compensator. Referring now to FIGS. 323-325, a staple cartridge, such as staple cartridge 11600, for example, can comprise a tissue thickness compensator 11620 releasably mounted to a support

END6843WOPCT3

portion 11610 by a plurality of fasteners 11613. Each fastener 11613 can comprise a first end 11618 embedded within and/or otherwise engaged with the tissue thickness compensator 11620, a second end 11618 engaged with the support portion 11610, and a connector 11616 which connects the first end 11618 to the second end 11618. The fasteners 11613 can extend through a knife slot 11615 defined in the support portion 11610. In use, the firing member 10052, described above, can move a knife edge through the knife slot 11615 in the support portion 11610 and incise the fasteners 11613 in order to release the tissue thickness compensator 11620 from the support portion 11610. For example, the firing bar 10052 can be advanced from a proximal end 11601 of the staple cartridge 11600 to a distal end 11602 of the staple cartridge 11600 in order to, one, advance the sled 10050 distally and progressively fire the staples 10030, as discussed above, and, two, progressively incise and/or break the fasteners 11613 to progressively release the tissue thickness compensator 11620 from the support portion 11610. Similar to the above, the tissue thickness compensator 11620 can comprise a plurality of detachable segments 11620a-11620e which can each be held to support portion 11610 by one or more fasteners 11613, for example. In the event that the firing member 10052 is stopped intermediate the proximal end 11601 and the distal end 11602 of the staple cartridge 11600, as illustrated in FIG. 324, the fasteners 11613 can assist in holding the unimplanted portion of the tissue thickness compensator 11620 to the support portion 11610 after the anvil 11660 is opened and the support portion 11610 is moved away from the tissue T, as illustrated in FIG. 325. Further to the above, the cutting edge 10053 of the firing member 10052 can be configured to incise and/or break the fasteners 11613. Alternatively, referring now to FIGS. 327 and 328, a staple-deploying sled, such as sled 11650, for example, can comprise a knife edge 11653 which can be configured to incise the connectors 11616 of the fasteners 11613 as the sled 11650 traverses the staple cartridge 11600. For example, each connector 11616 can comprise a cylindrical member extending between the T-shaped ends 11618 of the fasteners 11613 wherein the knife edge 11653 can comprise a concave profile 11653 which can be configured to receive the cylindrical connector 11616, for example.

[0778] As discussed above, a staple cartridge can be loaded into a staple cartridge channel of a surgical stapling instrument. In various circumstances, a surgeon, or other clinician, may insert the staple cartridge into the staple cartridge channel by placing a downward force onto the staple cartridge to lock the staple cartridge in place. In some such circumstances, the clinician may

END6843WOPCT3

place their thumb, for example, on the top surface of the staple cartridge to apply such a downward force. The top surface of the staple cartridge may comprise the top surface of a tissue thickness compensator wherein, as described above, the tissue thickness compensator can be compressible and, the downward force applied to tissue thickness compensator can cause the tissue thickness compensator to compress to the point in which the clinician's thumb comes into contact with the tips of the staples stored within the support portion. According to the invention, a staple cartridge applicator can be utilized to insert a staple cartridge into a staple cartridge channel which can be configured to prevent, or at least limit, the possibility of the clinician touching the staples in the staple cartridge. After the staple cartridge has been suitably positioned within the staple cartridge channel, as described in greater detail below, the applicator can be detached from the staple cartridge.

[0779] Referring now to FIGS. 305 and 306, a staple cartridge applicator can comprise a rigid cover, such as cover 10080, for example, which can be attached to a staple cartridge 10000. Further to the above, the cover 10080 can be configured to prevent, or at least inhibit, a clinician's thumb, for example, from contacting the tips of the staples 10030 positioned within the staple cartridge 10000 when the staple cartridge 10000 is inserted into a staple cartridge channel. Referring now to FIGS. 307 and 308, the cover 10080 can extend over the top surface 10021, or at least a portion of the top surface 10021, of the tissue thickness compensator 10020 and can include, one, a bottom surface 10081 which can extend over and/or abut the tissue thickness compensator 10020 and, two, a top surface 10082 which can provide a pushing surface for the clinician to apply a downward force thereto, for example. In use, the clinician can grab a handle portion 10084 of the cover 10080, align the support portion 10010 of the staple cartridge 10000 with the staple cartridge channel, and at least partially insert the staple cartridge 10000 within the staple cartridge channel. Thereafter, the clinician can completely seat the staple cartridge 10000 in the staple cartridge channel by applying the downward force to the top surface 10082 of the cover 10080 which can, Transmit the downward force directly to the support portion 10010. For example, the cover 10080 can comprise proximal supports 10087 which can extend downwardly and contact the deck surface 10011 of the support portion. The cover 10080 can further comprise a distal support portion 10083 which can be configured to abut the nose 10003. When a downward force is applied the cover 10080, the downward force can be transmitted through the proximal supports 10087 and/or the distal support portion 10083 without

END6843WOPCT3

transmitting, or at least without substantially transmitting, the downward force to the support portion 10010 through the tissue thickness compensator 10020. In various circumstances, as a result of the above, the clinician may not directly contact the tissue thickness compensator 10020. Also as a result of the above, the cover 10080 may not compress, or at least substantially compress, the tissue thickness compensator 10020 as the staple cartridge 10000 is being inserted into the staple cartridge channel. According to the invention, a cover can comprise any suitable number of supports which are configured to transmit a downward force to the support portion without transmitting, or at least substantially transmitting, the downward force through the tissue thickness compensator. The supports can extend around the distal end, the proximal end, and/or the longitudinal sides of the tissue thickness compensator. The supports can extend through the tissue thickness compensator. For example, the supports can extend through apertures within the tissue thickness compensator and abut the deck of the support portion. At least some of the supports may not be in contact with the deck before the downward force is applied to the cover; however, the cover can be configured to flex, or move, downwardly until the supports contact the deck of the support portion. At such point, the downward flexure, or movement, of the cover can be impeded, or at least substantially impeded, from flexing further.

[0780] As described above, the cover 10080 can be attached to the staple cartridge 10000 and can be used to manipulate the position of the staple cartridge 10000. The cover 10080 can comprise any suitable number of gripping members which can be configured to releasably hold the cover 10080 to the support portion 10010 of the staple cartridge 10000, for example. For example, the cover 10080 can further comprise one or more retention members, such as latch arms 10088 and/or 10089, for example. The latch arms 10089 can be configured to extend around the sides of the nose 10003 and engage the bottom surface 10009 (FIG. 306) of the nose 10003. Similarly, the latch arms 10088 can extend around the sides of lock projections 10008 extending from the support portion 10010 and engage the bottom surfaces of the lock projections 10008. These latch arms can be configured to position the cover 10080 over the zone or region in which the staples are stored within the support portion 10010. In any event, once the staple cartridge 10000 has been suitably positioned, the cover 10080 can be detached from the staple cartridge 10000. The clinician can apply an upward lifting force to the handle 10084 in order to detach the distal end of the cover 10080 from the distal end 10002 of the staple cartridge 10000. For example, the latch arms 10088 and 10089 can flex outwardly as the handle 10084 is lifted

END6843WOPCT3

upwardly such that the latch arms 10088 and 10089 can flex around the lock projections 10008 and the nose 10003, respectively. Thereafter, the proximal end of the cover 10080 can be lifted away from the proximal end 10001 of the staple cartridge and the cover 10080 can be moved away from the staple cartridge 10000.

[0781] Referring now to FIGS. 309 and 310, a staple cartridge applicator, such as staple cartridge applicator 10680, for example, can be configured to position an upper tissue thickness compensator, such as tissue thickness compensator 10690, for example, relative to an anvil in addition to positioning a staple cartridge, such as staple cartridge 10600, for example, within a staple cartridge channel. Similar to the above, the applicator 10680 can comprise latch arms 10688 which can be releasably engaged with lock projections 10608 extending from a support portion 10610 of the staple cartridge 10600 such that the applicator 10680 can be maintained in position over a tissue thickness compensator 10620 of the staple cartridge 10600. The upper tissue thickness compensator 10690 can be removably attached to the staple cartridge applicator 10680 such that the anvil of a surgical instrument, such as anvil 10060, for example, can be closed onto the applicator 10680, engage the tissue thickness compensator 10690, and detach the tissue thickness compensator 10690 from the applicator 10680. The tissue thickness compensator 10690 and/or the anvil 10060 can comprise one or more retention features which can be configured to releasably hold the tissue thickness compensator 10690 to the anvil 10060. For example, the tissue thickness compensator 10690 can comprise a longitudinal rail 10695, for example, extending from the top surface 10691 of the tissue thickness compensator 10690 which can be received within a longitudinal knife slot 10065 defined within the anvil 10060. The tissue thickness compensator 10690 and the longitudinal rail 10695 can be comprised of any suitable compressible material, such as those described in the this patent application, for example, wherein the longitudinal rail 10695 can be compressed and/or wedged within the knife slot 10065, for example. Once the anvil 10060 has been engaged with the tissue thickness compensator 10690, the anvil 10060 can be returned to an open position and, in such circumstances, the tissue thickness compensator 10690 can detach from the applicator 10680. Thereafter, the applicator 10680 can be detached from the staple cartridge 10600 such that the anvil 10060 and the staple cartridge 10600 can be positioned relative to the tissue that is to be stapled and/or incised. In use, a staple-deploying sled, such as sled 10050 (FIG. 236), for example, can be advanced distally through the staple cartridge 10600 by a firing member 10052

END6843WOPCT3

(FIG. 236), for example, in order to eject the staples from the staple cartridge 10060, as outlined above. As the staples are deformed, each staple can capture a portion of the tissue thickness compensator 10690 against the top surface of the tissue and a portion of the tissue thickness compensator 10620 against the bottom surface of the tissue. At the same time, the firing member 10052 can advance a knife edge 10053 (FIG. 236) through the tissue thickness compensator 10620 and/or the tissue thickness compensator 10690 wherein, the knife edge 10053 can be advanced through the longitudinal rail 10695 in order to incise the rail 10695 and progressively detach the tissue thickness compensator 10690 from the anvil 10060. After the staples have been deployed, the anvil 10060 can be re-opened and moved away from the implanted tissue thickness compensator 10690 and, similarly, the support portion 10610 of the staple cartridge 10600 can be moved away from the implanted tissue thickness compensator 10620. Further to the above, the tissue thickness compensator 10620 and/or the tissue thickness compensator 10690 can comprise a plurality of detachable segments which can be configured to separate from one another in the event that only portions of the tissue thickness compensators 10620 and 10690 are implanted by the staples.

[0782] Further to the above, the applicator 10680 can comprise one or more retention features which can be configured to releasably hold the tissue thickness compensator 10690 to the applicator 10680. For example, referring primarily to FIG. 310, the applicator 10680 can comprise a longitudinal retention rail 10685 which can be configured to be received in a longitudinal retention slot 10694 defined in the bottom surface 10692 of the tissue thickness compensator 10690 in a press-fit manner, for example. In various circumstances, the retention rail 10685 and the retention slot 10694 can be configured to retain the tissue thickness compensator 10690 to the applicator 10680 until a sufficient upward lifting force is applied to the tissue thickness compensator 10690 by the anvil 10060, as described above. For example, the retention rail 10685 extending from the applicator 10680 can further comprise end stops 10686 positioned at the proximal and distal ends of the retention rail 10685 which can be configured to prevent, or at least limit, relative longitudinal movement between the tissue thickness compensator 10690 and the applicator 10680. Referring again to FIG. 310, one or more adhesives, such as longitudinal adhesive strips 10693, for example, can be placed on the contact surface 10691 of the tissue thickness compensator 10690 such that, when the anvil 10060 contacts the tissue thickness compensator 10690, as described above, the adhesive can releasably

END6843WOPCT3

attach the tissue thickness compensator 10690 to the anvil 10060. Optionally, one or more adhesives can be utilized in addition to or in lieu of the compressible retention features described above, for example. One or more adhesives can be utilized to releasably hold a tissue thickness compensator to a staple cartridge applicator. Referring now to FIG. 310A, the cover 10080, for example, can include one or more adhesive pads 12185 which can be configured to releasably retain an upper tissue thickness compensator, such as tissue thickness compensator 12190, for example, to the top surface 10082 of the cover 10080. For example, similar to the above, an anvil can be closed onto to the tissue thickness compensator 12190 to engage the longitudinal retention rail 12195 of the tissue thickness compensator 12190. A release mechanism can be positioned intermediate the tissue thickness compensator 12190 and the cover 10080 which can be utilized to break the adhesive bonds holding the tissue thickness compensator 12190 to the cover 10080 and detach the tissue thickness compensator 12190 from the cover 10080. The release mechanism can comprise a pull tab 12196 and a loop 12197 wherein the loop 12197 can comprise first and second ends which are attached to the pull tab 12196. The loop 12197 can comprise a suture, for example, which can define a perimeter which circumscribes the adhesive pads 12185 such that, when the pull tab 12196 is pulled distally, the suture can slide between the tissue thickness compensator 12190 and the cover 10080 and contact the tissue pads 12185. In such circumstances, the suture can at least one of separate the adhesive pads 12185 from the tissue thickness compensator 12190, separate the adhesive pads 12185 from the cover 10080, and/or sever the adhesive pads 12185, for example.

[0783] Referring now to FIG. 311, a staple cartridge can comprise a support portion 10710, for example, which, similar to the above, can comprise a longitudinal knife slot 10715 extending therethrough. For example, a staple cartridge applicator, such as applicator 10780, for example, can comprise a longitudinal retention and alignment member 10786 which can extend into the knife slot 10715 in the support portion 10710. The retention member 10786 can be configured to engage the sidewalls of the knife slot 10715 in a press-fit manner, for example, such that the applicator 10780 can be releasably retained to the support portion 10710. Optionally, although not illustrated, a first portion of a tissue thickness compensator can be positioned on a first side of the retention member 10786 and a second portion of the tissue thickness compensator can be positioned on an opposite, or second, side of the retention member 10786. Similar to the above, the first and second portions of the tissue thickness compensator can be mounted to the support

END6843WOPCT3

portion 10710 of the staple cartridge via retention members 10013, for example. Also similar to the above, an upper tissue thickness compensator 10790 can be removably mounted to the applicator 10780 via a longitudinal retention member 10785 extending from the loading surface 10782 of the applicator 10780 wherein the retention member 10785 can be releasably press-fit into a longitudinal slot 10794 defined in the bottom surface 10792 of the tissue thickness compensator 10790, for example. Optionally, also similar to the above, the tissue thickness compensator 10790 can further comprise a longitudinal retention member 10795 extending from the top surface 10791 of the tissue thickness compensator 10790 which can be releasably retained in the longitudinal knife slot 10065 defined in the anvil 10060, for example. For example, the longitudinal retention member 10795 can comprise a wedge-shaped cross-section comprising a top portion which is larger than a bottom portion, wherein the bottom portion can attach the retention member 10795 to the tissue thickness compensator 10790, for example.

[0784] Referring now to FIGS. 312 and 313, a staple cartridge 10800 comprising a support portion 10810 and a tissue thickness compensator 10820 can be loaded into a staple cartridge channel with a staple cartridge applicator 10880, for example. Similar to the above, the staple cartridge applicator 10880 can also be configured to position an upper tissue thickness compensator 10890, for example, relative to an anvil, such as anvil 10060, for example, such that, when the anvil 10060 is closed, the anvil 10060 can contact and engage the tissue thickness compensator 10890. The tissue thickness compensator 10890 can comprise a plurality of retention legs 10895 extending from the top surface 10891 of the tissue thickness compensator 10890 which can be configured to be engage the anvil 10060 and releasably retain the tissue thickness compensator 10890 to the anvil 10060. For example, the legs 10895 can be arranged in a longitudinal row wherein each leg 10895 can comprise at least one foot configured to enter into and engage the knife slot 10065 defined in the anvil 10060. Some of the feet of legs 10895 can extend in one direction while other feet can extend in another direction. Some of the feet can extend in opposite directions. In any event, once the anvil 10060 has been engaged with the tissue thickness compensator 10890, referring now to FIGS. 313 and 314, the anvil 10060 can be reopened and the clinician can move the staple cartridge applicator 10880 away from the tissue thickness compensators 10820 and 10890. Thereafter, referring to FIG. 314A, the upper tissue thickness compensator 10890 can be positioned on a first side of the targeted tissue and the tissue thickness compensator 10820, which can comprise a lower tissue thickness compensator, can be

END6843WOPCT3

positioned on a second side of the tissue. After the tissue thickness compensators 10820 and 10890 have been suitably positioned, referring now to FIG. 314B, a knife edge of a firing member, such as knife edge 10053, for example, can be advanced through the tissue and the tissue thickness compensators. Referring now to FIG. 318, a staple cartridge applicator, such as applicator 12280, for example, can comprise a tissue thickness compensator 12290 detachably mounted thereto which can be, similar to the above, inserted into a staple cartridge channel, as illustrated in FIG. 319, and engaged by the anvil 10060 when the anvil 10060 is moved into a closed position. For example, the tissue thickness compensator 12290 can comprise a plurality of retention members 12295 extending upwardly from the top surface 12291 of the tissue thickness compensator 12290 wherein each retention member 12295 can comprise a plurality of flexible legs 12296 which can be configured to be inserted into the knife slot 10065 in the anvil 10060. Referring primarily to FIGS. 321 and 322, the flexible legs 12296 of each retention member 12295 can be separated by a gap 12298 such that, as the legs 12296 are inserted into the knife slot 10065, the legs 12296 can flex inwardly and then resiliently return outwardly once the enlarged feet of the flexible legs 12296 have passed through the knife slot 10065. The enlarged feet of the flexible legs 12296 can flex behind opposing retention lips 12297 defined in the anvil 10060 and, as a result of the interaction of the legs 12296 and the lips 12297, the tissue thickness compensator 12290 can be retained to the anvil 10060. Thereafter, the staple cartridge applicator 12280 can be moved away from the tissue thickness compensator 12290, as illustrated in FIG. 320. In use, once the tissue thickness compensator 12290 has been implanted against the tissue by staples deployed from staple cartridge 10000, for example, the anvil 10060 can be re-opened and, as the anvil 10060 is moved away from the implanted tissue thickness compensator 12290, the legs 12296 of the retention members 12995 can flex inwardly such that they can be pulled out of the knife slot 10065.

[0785] Referring now to FIGS. 315 and 316, a tissue thickness compensator, such as tissue thickness compensator 11990, for example, can be loaded longitudinally into an anvil, such as anvil 11960, for example. More particularly, the tissue thickness compensator 11990 can comprise one or more longitudinal rails 11995 which can be inserted into a distal opening in a knife slot 11965 of the anvil 11960 and then pushed proximally until the tissue thickness compensator 11990 has been properly seated in the anvil 11960. For example, each rail 11995 can comprise a longitudinal retention foot 11996 which can be positioned behind a longitudinal

END6843WOPCT3

retention lip 11997 which at least partially defines the knife slot 11965, for example. As illustrated in FIG. 316, the feet 11996 can extend in opposite directions in order to be positioned behind retention lips 11997 positioned on the opposite sides of the knife slot 11965. According to the invention, a longitudinal gap 11998 can be defined between the rails 11995 which can be configured to permit the rails 11995 to flex inwardly toward one another when the tissue thickness compensator 11990 is detached from the anvil 11960. Referring now to FIG. 317, a tissue thickness compensator, such as tissue thickness compensator 12090, for example, can comprise one or more lock arms 12098 which can extend around the sides of an anvil, such as anvil 12060, for example. In use, the lock arms 12098 can engage the anvil 12060 and releasably retain the tissue thickness compensator 12090 to the anvil 12060. For example, the anvil 12060 can comprise one or more notches, or lock shoulders, 12097, for example, which can each be configured to receive a foot extending from a lock arm 12098. In use, the arms 12098 can flex outwardly and detach from the anvil 12060 when the anvil 12060 is moved away from the tissue thickness compensator 12090 after the tissue thickness compensator 12090 has been at least partially implanted.

[0786] As described above, a surgical stapling instrument can comprise a staple cartridge channel configured to receive a staple cartridge, an anvil rotatably coupled to the staple cartridge channel, and a firing member comprising a knife edge which is movable relative to the anvil and the staple cartridge channel. In use, a staple cartridge can be positioned within the staple cartridge channel and, after the staple cartridge has been at least partially expended, the staple cartridge can be removed from the staple cartridge channel and replaced with a new staple cartridge. For example, the staple cartridge channel, the anvil, and/or the firing member of the surgical stapling instrument may be re-used with the replacement staple cartridge. Alternatively, a staple cartridge may comprise a part of a disposable loading unit assembly which can include a staple cartridge channel, an anvil, and/or a firing member, for example, which can be replaced along with the staple cartridge as part of replacing the disposable loading unit assembly. Certain disposable loading unit assemblies are disclosed in U.S. Patent Application Serial No.

12/031,817, entitled END EFFECTOR COUPLING ARRANGEMENTS FOR A SURGICAL CUTTING AND STAPLING INSTRUMENT, which was filed on February 15, 2008, the entire disclosure of which is incorporated by reference herein. Referring now to FIG. 370, a disposable loading unit, such as disposable loading unit 12500, for example, can comprise a support portion

END6843WOPCT3

12510, an anvil 12560 rotatably coupled to the support portion 12510, and an elongate shaft 12570 extending from the support portion 12510. Similar to the staple cartridges described herein, the support portion 12510 can comprise a plurality of staple cavities 10012 and a staple, such as a staple 10030, for example, positioned in each staple cavity 10012, for example. The disposable loading unit 12500 can further comprise a firing member 12552 which can be advanced distally in order to move the anvil 12560 from an open position, as illustrated in FIG. 370, to a closed position. The disposable loading unit 12500 can further comprise a tissue thickness compensator 12520 positioned on and/or attached to the support portion 12510 wherein, when the anvil 12560 is in its closed position, the anvil 12560 can be positioned opposite the tissue thickness compensator 12520 and, in some cases, the anvil 12560 can at least partially compress the tissue thickness compensator 12520 when the anvil 12560 is in its closed position. In either event, the firing member 12552 can be advanced further in order to eject the staples from the support portion 12510. As the staples are ejected, the staples can be deformed by the anvil 12560 and trap at least a portion of the tissue thickness compensator 12520 therein. Thereafter, the firing member 12552 can be retracted proximally, the anvil 12560 can be re-opened, and the support portion 12510 can be moved away from the implanted tissue thickness compensator 12520.

[0787] Further to the above, the tissue thickness compensator 12520 can be detachably mounted to the support portion 12510. For example, the support portion 12510 can comprise a longitudinal retention rail 12526 mounted to each side thereof wherein each rail 12526 can comprise one or more apertures 12528 which can be configured to receive at least a portion of the tissue thickness compensator 12520 therein. Once the tissue thickness compensator 12520 has been at least partially implanted, the tissue thickness compensator 12520 can pull out of the apertures 12528 as the support portion 12510 is moved away. Referring now to FIGS. 371-373, a disposable loading unit 12600 can comprise a support portion 12610, a tissue thickness compensator 12620 detachably mounted to the support portion 12610, and one or more retention rails 12626 which can be configured to extend under the tissue thickness compensator 12620 and mount the tissue thickness compensator 12620 to the support portion 12610. Each retention rail 12626 can comprise a plurality of retention hooks 12628, for example, which can be engaged to the support portion 12610 via retention slots 12614, for example, defined in the support portion 12610. In use, for example, the tissue thickness compensator 12620 can be configured to detach

END6843WOPCT3

from the retention rails 12626 after the tissue thickness compensator 12620 has been at least partially implanted and the support portion 12610 is moved away from the tissue thickness compensator 12620. Referring now to FIGS. 374-376, a disposable loading unit 12700 can comprise one or more retention rails 12726 which can each comprise a bottom bar 12725 which can extend under the tissue thickness compensator 12720 and a top bar 12727 which can extend over the top surface 12621 of the tissue thickness compensator 12620. The tissue thickness compensator 12620 can be at least partially compressed between the top bars 12727 and the bottom bars 12725 such that the retention rails 12726 can releasably hold the tissue thickness compensator 12620 relative to the support portion 12610. For example, each retention rail 12726 can comprise one or more retention hooks 12728 which can be engaged with the support portion 12610 to retain the retention rails 12726 to the support portion 12610.

[0788] Referring now to FIGS. 377 and 378, a disposable loading unit 12800 can comprise a retention member 12822 which can be configured to mount a tissue thickness compensator 12620 to the support portion 12610. For example, the retention member 12822 can comprise a sheet of material positioned against the deck surface 12611 of the support portion wherein the tissue thickness compensator 12620 can be attached to the sheet of material by at least one adhesive, for example. The retention member 12822 can further comprise a longitudinal retention rail 12825 configured to extend downwardly into a knife slot 12615 defined in the support portion 12610. For example, the retention rail 12825 can be sized and configured such that it is compressed between the sidewalls of the knife slot 12615. In use, the firing member 12552 can comprise a knife edge which can pass through the knife slot 12615 as the firing member 12552 is advanced distally and transect the tissue thickness compensator 12620 and the retention rail 12825 longitudinally. Also, in use, the staples ejected from the support portion 12610 can penetrate the retention member 12822, the tissue thickness compensator 12820, and the tissue positioned between the tissue thickness compensator 12820 and the anvil 12560. The retention member 12822 can be comprised of a biocompatible and/or bioabsorbable material. The retention member 12822 can be comprised of a sufficiently compressible material to comprise a tissue thickness compensator underlying the tissue thickness compensator 12620. Referring now to FIGS. 379-381, a disposable loading unit 12900 can comprise a loading assembly including a bottom portion 12922 which can be removably attached to the support portion 12610, a top portion 12990 which can be removably attached to the anvil 12560, and a

END6843WOPCT3

flexible joint 12991 connecting the bottom portion 12922 and the top portion 12990. Similar to the above, a longitudinal retention rail 12825 can extend downwardly from the bottom portion 12922 and into the knife slot 12615 defined in the support portion 12610 such that the bottom portion 12922 can be releasably retained to the support portion 12610. Similarly, a longitudinal retention rail 12995 can extend upwardly from the top portion 12990 into a knife slot defined in the anvil 12560 such that the top portion 12990 can be releasably retained to the anvil 12560. As illustrated in FIGS. 380 and 381, a tissue thickness compensator 12620 can be mounted to the bottom portion 12922 of the loading assembly wherein, in order to position the tissue thickness compensator 12620 relative to the support portion 12610, a clinician could flex the top portion 12990 and the bottom portion 12922 toward one another, position the loading assembly between the anvil 12560 and the support portion 12610, and release the flexed loading assembly such that it can resiliently expand and bias the top portion 12990 against the anvil 12560 and the bottom portion 12922 against the support portion 12610. Referring now to FIGS. 382-384, the loading assembly can further comprise one or more latch hooks, such as latch hooks 12994, for example, extending therefrom which can be configured to releasably connect the top portion 12990 to the anvil 12560 and/or releasably connect the bottom portion 12922 to the support portion 12610.

[0789] Referring now to FIG. 385, a disposable loading unit 15900, for example, can comprise an anvil 15960 and a staple cartridge channel 15970 wherein the staple cartridge channel 15970 can rotate relative to the anvil 15960. For example, the anvil 15960 may not be able to rotate. Tissue can be positioned between the anvil 15960 and the staple cartridge channel 15970 and, thereafter, the staple cartridge channel 15970 can be rotated toward the tissue to clamp the tissue against the anvil. For example, the disposable loading unit 15900 can further comprise a tissue thickness compensator 15920 which can be configured to contact the tissue.

[0790] As discussed above and referring to FIG. 332, a staple cartridge, such as staple cartridge 10000, for example, can comprise a support portion 10010 and a tissue thickness compensator 10020 wherein a plurality of staples 10030 can be at least partially stored in the support portion 10010 and can extend into the tissue thickness compensator 10020 when the staples 10030 are in their unfired position. The tips of the staples 10030 do not protrude from the tissue thickness compensator 10020 when the staples 10030 are in their unfired positions. As the staples 10030 are moved from their unfired positions to their fired positions by the staple drivers 10040, as discussed above, the tips of the staples 10030 can penetrate through the tissue thickness

END6843WOPCT3

compensator 10020 and/or penetrate through the upper layer, or skin, 10022. Alternatively, the tips of the staples 10030 can protrude through the top surface of the tissue thickness compensator 10020 and/or skin 10022 when the staples 10030 are in their unfired position. In either event, the staples 10030, as they extend upwardly out of the support portion 10010 prior to being deployed, may tilt and/or deflect relative to the support portion, as also discussed above. Referring now to FIG. 329, a staple cartridge, such as staple cartridge 13000, for example, can comprise a plurality of guide members, or retainers, which can be configured to limit relative movement between the support portion 13010 of the staple cartridge 13000 and the tips of the staples positioned therein. Referring primarily to FIG. 330, the staple cartridge 13000 can comprise a tissue thickness compensator 13020 mounted to a support portion 13010 and, in addition, a plurality of pledgets 13022 attached to the top surface 13021 of the tissue thickness compensator 13020. Optionally, each pledget 13022 can comprise a plurality of apertures 13029 defined therein which can be configured to slidably receive and/or guide the legs 13022 of a staple 13030 therein. In addition to or in lieu of the apertures, a pledget can comprise any suitable opening such as a slot, guide, and/or groove, for example, which can be configured to slidably receive and/or guide the legs 13022. As illustrated in FIG. 330, the tips of the staple legs 13032 can be positioned within the apertures 13029 when the staples 13030 are in their unfired positions. For example, the tips of the staple legs 13032 can protrude above the pledgets 13022 when the staples are in their unfired position. The tips of the staple legs 13032 may be positioned just below the pledgets 13022 when the staples 13030 are in their unfired positions such that, when the staples 13030 are moved upwardly through the tissue thickness compensator 13020, the staple legs 13032 can enter into the apertures 13029 of the pledgets 13022 and slide therethrough. In any event, when the legs 13032 of the staples 13030 are positioned within the pledgets, the lateral and/or longitudinal movement of the staple legs 13032 can be limited without preventing the upward movement of the staple legs 13032 when the staples 13030 are deployed. When the staples 13030 are deployed, referring now to FIG. 331, the staple legs 13032 can slide upwardly through the pledgets 13022 to penetrate the tissue T, contact an anvil positioned opposite the staple cartridge 13030, and deform downwardly to capture the tissue T and the tissue thickness compensator 13030 therein.

[0791] Further to the above, the pledgets 13022 can be attached to the tissue thickness compensator 13020 utilizing at least one biocompatible and/or bioabsorbable adhesive, for

END6843WOPCT3

example. The pledgets 13022, and/or a retention member extending from each pledget, can be at least partially embedded within the tissue thickness compensator 13020. For example, the tissue thickness compensator 13020 can comprise pockets defined therein which are configured to at least partially receive a pledget 13022. The tissue thickness compensator 13020 can be integrally molded, or formed around, the pledgets 13022 during a molding manufacturing process. The pledgets 13022 may comprise discrete retainers that can move independently of one another. Referring primarily to FIG. 330, each pledget 13022 can comprise interlocking and/or keyed features which can be configured to permit and, to a certain extent, limit relative lateral and longitudinal movement between the pledgets 13022. For example, each pledget 13022 can comprise a projection 13026 and one or more recesses 13027, for example, wherein the projection 13026 of a first pledget 13022 can be positioned within and/or aligned with respect to the recesses of 13027 of adjacent second and third pledgets 13022. Optionally, gaps can be present between adjacent pledgets 13022 which can permit the pledgets 13022 to move or slide relative to one another until they contact an adjacent pledget 13022. The pledgets 13022 can be loosely interconnected. The pledgets 13022 can be detachably connected to one another. For example, the pledgets 13022 can be manufactured as a sheet of interconnected pledgets wherein, when a sufficient force is applied to the sheet, one or more of the pledgets 13022 can break away from the others. Referring again to FIG. 329, a first sheet 13024 of pledgets 13022 can be positioned on a first side of a longitudinal slot 13025 and a second sheet 13024 of pledgets 13022 can be positioned on a second side of slot 13025. Further to the above, the longitudinal slot 13025 extending through the tissue thickness compensator 13020 can be configured to facilitate the passage of a knife edge of a firing member through the tissue thickness compensator 13020 and, as the firing member passes thereby, the firing member can apply a compressive force to the sheets 13024 and separate or singulate at least some of the pledgets 13022.

[0792] The pledgets 13022 can be comprised of a biocompatible and/or bioabsorbable plastic, for example. The pledgets 13022 can be comprised of a solid material, a semi-solid material, and/or a flexible material, for example. The pledgets 13022 can be embedded within a tissue thickness compensator such that the pledgets 13022 move with the tissue thickness compensator. For example, the pledgets 13022 can be sufficiently flexible such that they can flex with the top surface of the tissue thickness compensator. The pledgets 13022 can be configured to remain

END6843WOPCT3

embedded in the tissue thickness compensator while, the pledgets 13022 can be configured to pop out of, or detach from, the tissue thickness compensator. The pledges 13022 can comprise a top surface which is flush with the top surface of the tissue thickness compensator. The top surfaces of the pledgets 13022 can be positioned above and/or below the top surface of the tissue thickness compensator. The top surfaces of the pledgets 13022 can be disposed such that they are visible when viewing the top surface of the tissue thickness compensator while, alternatively, the top surfaces of the pledgets 13022 can be positioned below a layer of the tissue thickness compensator, for example. Guide features can be molded into the top surface of a tissue thickness compensator, for example. For example, the tissue thickness compensator may not comprise a composite material and may comprise a unitary piece of material, for example.

[0793] Referring now to FIG. 338, a staple cartridge can comprise a tissue thickness compensator 13620 and a skin, or top layer, 13621, for example. For example, one or more pledgets, or retainers, 13622, for example, can be embedded in the skin 13621. Each retainer 13622 can comprise one or more apertures 13629 defined therein which can be configured to receive the staple legs 13032 of staples 13030 therein when the staples 13030 are in their unfired position, as illustrated in FIG. 338. In use, further to the above, the staple legs 10032 can slide through the apertures 13629 when the staples 13030 are moved from their unfired position to their fired position until the bases 13031 of the staples 13030 contact the tissue thickness compensator 13620 and compress at least a portion of the tissue thickness compensator 13620 against the bottom surfaces of the pledgets 13622, for example. Referring now to FIG. 333, a staple cartridge can comprise a tissue thickness compensator 13120 and a skin, or top layer, 13122, for example. For example, the tissue thickness compensator 13120 can comprise conical bumps, projections, and/or protrusions 13128, for example, which can extend upwardly from the top surface 13121 of the tissue thickness compensator 13120. The projections 13128 can be configured to receive and envelop the tips of the staple legs 13032 of the staples 13030 when the staples 13030 are in their unfired position, as illustrated in FIG. 333. The top layer 13122 can also comprise conical bumps, projections, and/or protrusions 13129 which can be aligned, or at least substantially aligned, with the projections 13128. In use, the staple legs 10032 can penetrate the projections 13128 and 13129 and emerge from the tissue thickness compensator 13120. Referring now to FIG. 337, a staple cartridge can comprise a tissue thickness compensator 13520 and a skin, or top layer, 13522, for example. For example, the skin 13522 can comprise conical

END6843WOPCT3

bumps, projections, and/or protrusions 13529, for example, which can extend upwardly from the top surface 13521 of the tissue thickness compensator 13520. Similar to the above, the projections 13529 can be configured to receive and envelop the tips of the staple legs 13032 of the staples 13030 when the staples 13030 are in their unfired position, as illustrated in FIG. 337. In use, the staple legs 13032 can penetrate the projections 13529 and emerge from the skin 13522.

[0794] Referring now to FIG. 334, a staple cartridge can comprise a tissue thickness compensator 13220 and a skin, or top layer, 13222, for example. For example, the tissue thickness compensator 13220 can comprise conical dimples and/or recesses 13128, for example, which can extend downwardly into the top surface 13221 of the tissue thickness compensator 13220. The tips of the staple legs 13032 can extend through the recesses 13128 when the staples 13030 are in their unfired position, as illustrated in FIG. 334. The top layer 13222 can also comprise conical dimples and/or recesses 13229 which can be aligned, or at least substantially aligned, with the recesses 13128. Referring now to FIG. 335, a staple cartridge can comprise a tissue thickness compensator 13320 and a skin, or top layer, 13322, for example. For example, the skin 13320 can comprise thick portions 13329 which can extend downwardly into the top surface 13321 of the tissue thickness compensator 13320. In various circumstances, the thick portions 13329 can be configured to receive at least a portion of the staple legs 13032 of the staples 13030 therein when the staples 13030 are in their unfired position, as illustrated in FIG. 335. In such cases, the thick portions 13329 can hold the staple legs 13032 in position such that the legs 13032 are aligned, or at least substantially aligned, with the staple-forming pockets of an anvil positioned opposite the tissue thickness compensator 13320. Referring now to FIG. 336, a staple cartridge can comprise a tissue thickness compensator 13420 and a skin, or top layer, 13422, for example. For example, the skin 13422 can comprise thick portions 13429 which can extend upwardly from the top surface 13421 of the tissue thickness compensator 13420. In various circumstances, the thick portions 13429 can be configured to receive at least a portion of the staple legs 13032 of the staples 13030 therein when the staples 13030 are in their unfired position, as illustrated in FIG. 336. In such cases, the thick portions 13429 can hold the staple legs 13032 in position such that the legs 13032 are aligned, or at least substantially aligned, with the staple-forming pockets of an anvil positioned opposite the tissue thickness compensator 13420.

END6843WOPCT3

[0795] Referring now to FIGS. 339 and 340, a staple cartridge can comprise a tissue thickness compensator 13720 and a skin, or top layer, 13721, for example. For example, the tissue thickness compensator 13720 can comprise pyramidal and/or stepped bumps, projections, and/or protrusions 13728, for example, which can extend upwardly from the top surface 13721 of the tissue thickness compensator 13720. The projections 13728 can be configured to receive and envelop the tips of the staple legs 13032 of the staples 13030 when the staples 13030 are in their unfired position, as illustrated in FIG. 340. Similarly, the top layer 13721 can comprise pyramidal and/or stepped bumps, projections, and/or protrusions 13729 which can be aligned, or at least substantially aligned, with the projections 13728. The skin 13721 can further comprise one or more teeth 13727 extending upwardly from the projections 13729 which can be configured to engage tissue positioned against the top layer 13721 and prevent, or at least limit, relative lateral and/or longitudinal movement between the tissue, the top layer 13721, and/or the tips of the staple legs 13032. In use, the staple legs 13032 can penetrate the projections 13728 and 13729 and emerge from the tissue thickness compensator 13720 when the staples 13030 are moved from their unfired positions to their fired positions. Referring now to FIGS. 341 and 342, a staple cartridge can comprise a tissue thickness compensator 13820 and a skin, or top layer, 13821, for example. For example, the tissue thickness compensator 13820 can comprise pyramidal and/or stepped bumps, projections, and/or protrusions 13828, for example, which can extend upwardly from the top surface 13821 of the tissue thickness compensator 13820. The projections 13828 can be configured to receive and envelop the tips of the staple legs 13032 of the staples 13030 when the staples 13030 are in their unfired position, as illustrated in FIG. 342. Similarly, the top layer 13821 can comprise pyramidal and/or stepped bumps, projections, and/or protrusions 13829 which can be aligned, or at least substantially aligned, with the projections 13828. The top layer 13821 can further comprise one or more teeth 13827 extending downwardly into the tissue thickness compensator 13820 which can be configured to prevent, or at least limit, relative lateral and/or longitudinal movement between the top layer 13821 and the tissue thickness compensator 13820, for example. In use, the staple legs 10032 can penetrate the projections 13828 and 13829 and emerge from the tissue thickness compensator 13820 when the staples 13030 are moved from their unfired positions and their fired positions.

[0796] Referring now to FIG. 343, a staple cartridge can comprise a tissue thickness compensator, such as tissue thickness compensator 13920, for example, which can include ridges

END6843WOPCT3

13923 and valleys 13924 defined therein wherein, the valleys 13924 can be defined between the ridges 13923. Optionally, each ridge 13923 can comprise the same height, substantially the same height, or different heights. Similarly, each valley 13924 can comprise the same depth, substantially the same depth, or different depths. According to the invention, a plurality of staples 13030 can be at least partially stored within the tissue thickness compensator 13920 such that the tips of the staples 13030 can be positioned within the ridges 13923. For example, the staple legs 13032 of the staples 13030 may not protrude from the tissue thickness compensator 13920 and/or a skin, or top layer, 13921 attached to the tissue thickness compensator 13920, for example, when the staples 13030 are stored in their unfired position. The ridges 13923 and/or the valleys 13924 can extend laterally across the staple cartridge. For example, the staple cartridge can comprise a longitudinal knife slot wherein the ridges 13923 and the valleys 13924 can extend in a direction which is transverse and/or perpendicular to the knife slot. In various circumstances, the ridges 13923 can be configured to hold the tips of the staple legs 13032 in position until the staples 13030 are moved from their unfired position into their fired position. Referring now to FIG. 344, a tissue thickness compensator, and/or a skin covering a tissue thickness compensator, can comprise longitudinal ridges and/or valleys. For example, a tissue thickness compensator can comprise a top surface defined by ridges 14023 and valleys 14024, wherein the valleys 14024 can be defined between the ridges 14023, for example. The tissue thickness compensator can comprise a skin 14021 which can include a plurality of apertures 14029 defined therein which can each be configured to receive a staple leg 13032. The apertures 14029 can be defined in the ridges 14023 wherein the tips of the staple legs 13032 may be positioned below the peaks 14028 of the ridges 14029, positioned flush with the peaks 14028, and/or positioned above the peaks 14028. In addition to or in lieu of the above, the apertures 14029 can be defined in the valleys 14024, for example. Each aperture can be surrounded, or at least partially surrounded, by an embossment, for example, which can strengthen the skin and/or tissue thickness compensator surrounding the apertures. In any event, further to the above, the skin 14021 can be attached to a tissue thickness compensator in any suitable manner, including using at least one adhesive, for example.

[0797] As described above and referring again to FIG. 233, a surgical stapling instrument can comprise an anvil, such as anvil 10060, for example, which can be moved between an open position and a closed position in order to compress tissue T against the tissue thickness

END6843WOPCT3

compensator 10020 of a staple cartridge 10000, for example. In various circumstances, the anvil 10060 can be rotated toward the staple cartridge 10000 until its downward movement is stopped by some portion of the staple cartridge 10000 and/or some portion of the channel in which the staple cartridge 10000 is positioned. In at least one such circumstance, the anvil 10060 can be rotated downwardly until its downward movement is resisted by the nose 10003 of the staple cartridge 10000 and/or the tissue T positioned intermediate the nose 10003 and the staple cartridge 10000. In some circumstances, the anvil 10060 may sufficiently compress the tissue thickness compensator 10020 to permit the tissue T to contact the tips of the staples 10030. In certain circumstances, depending on the thickness of the tissue T, the anvil 10060 may sufficiently compress the tissue thickness compensator 10020 such that the anvil 10060 comes into contact with the staples 10030 by the time the anvil 10060 has reached its fully closed position. Stated another way, in such circumstances, the anvil 10060 may deform the staples 10030 prior to the firing member 10052 being advanced into the staple cartridge 10000 to fire the staples 10030. Such circumstances may be acceptable in some cases; however, referring now to FIGS. 358 and 359, alternatives are envisioned in which a distal gap-setting element, such as element 10059, for example, can be utilized to limit the distance in which the anvil 10060 can be closed prior to the firing bar 10052 being advanced into the staple cartridge 10000. The element 10059 can extend upwardly from the top surface 10021 of the tissue thickness compensator 10020 such that the downward movement of the anvil 10060 can be arrested as the tissue T is compressed against the element 10059 and a resistive force is generated therebetween. In use, as described above, the firing member 10052 can be advanced distally into the staple cartridge 10000 toward the distal end 10002 of the staple cartridge 10000 in order to eject the staples 10030 from the support portion 10010. Simultaneously, the firing member 10052 can engage the anvil 10060 and position the anvil 10060 a desired distance from the deck surface 10011 (FIG. 218) of the support portion 10010 over the staples 10030 being formed. In this way, the firing member 10052 can control the distance, or gap, between the tissue-contacting surface of the anvil 10060 and the deck surface 10011 at a particular location, wherein this particular location can be advanced distally as the firing member 10052 is advanced distally. In various circumstances, this gap distance may be shorter than the gap between the anvil 10060 and the deck surface 10011 being controlled or dictated by the distal gap-setting element 10059 at the distal end of the tissue thickness compensator 10020. Referring now to FIG. 359, the knife edge

END6843WOPCT3

10053 of the firing member 10052 can be configured to transect the distal gap-setting element 10059 when the firing member 10052 reaches the distal end of the tissue thickness compensator 10020 such that, after the element 10059 has been transected, the firing member 10052 can pull the anvil 10060 downwardly toward the support portion 10010 and close the gap to the desired gap height when firing the staples 10030 at the distal end of the staple cartridge 10000.

Alternatively, a distal gap-setting element can be configured to collapse as the firing member approaches the distal end of the staple cartridge. For example, the distal gap-setting element can comprise a column which can provide resistance to the anvil as described above and then suddenly buckle once the buckling strength of the gap-setting element has been reached when the firing member approaches the distal end of the staple cartridge. This buckling force can be approximately 10 lbf, for example. A gap setting element can be configured to drop downwardly into the deck of the support portion when a force exceeding a predetermined amount is applied to the gap setting element, for example. The distal gap can be controlled by the nose of the staple cartridge. For example, the downward movement of the anvil 10060 can be limited by the nose until the firing member has reached the distal end of the cartridge wherein, at such point, the compressive force applied to the nose can cause the nose to collapse. The nose can comprise a cavity defined by cavity walls which can allow the cavity to collapse once the compressive force applied thereto has exceeded a predetermined force. For example, the cavity can be defined by collapsible walls.

[0798] Optionally, as described above, an anvil, such as anvil 10060, for example, can be moved between an open position and a closed position in order to compress a tissue thickness compensator between the anvil and the support portion of a staple cartridge. In certain circumstances, referring now to FIGS. 360 and 361, the tissue thickness compensator of a staple cartridge, such as tissue thickness compensator 14120 of staple cartridge 14100, for example, may expand laterally and/or longitudinally when the tissue thickness compensator 14120 is compressed against a support portion 14110 of the staple cartridge 14100. The ends and/or sides of the tissue thickness compensator 14120 may not be constrained by the support portion 14110 and/or the anvil 10060 and, as a result, the tissue thickness compensator 14120 can expand in those directions without generating a compressive pressure, or at least an undesirable compressive pressure, within the tissue thickness compensator 14120. In such cases, a firing member, such as firing member 10052 (FIG. 236), for example, passing through the tissue

END6843WOPCT3

thickness compensator 14120 may not be unduly impeded by an undesirable compressive pressure within the tissue thickness compensator 14120, for example. Alternatively, referring again to FIG. 360, the distal end 14125 of the tissue thickness compensator 14120 may be constrained by the nose 14103 of the staple cartridge 14100, for example. In this particular embodiment, similar to the above, the distal end 14125 of the tissue thickness compensator 14120 may be constrained by the nose 14103 in order to reduce the possibility of the tissue thickness compensator 14120 from becoming prematurely detached from the support portion 14110. In any event, as a result of the above, a large internal pressure can be generated within the distal end 14125 which can impede the advancement of the firing member 10052, especially when the firing member 10052 reaches the distal end 14125. More particularly, in certain circumstances, the firing member 10052 can push, plow, and/or displace the tissue thickness compensator 14120 distally as it transects the tissue thickness compensator 14120 and, as a result, an even larger internal pressure can be created within the distal end 14125 of the tissue thickness compensator 14120. In order to at least partially dissipate this pressure within the tissue thickness compensator 14120, the nose 14103 can be comprised of a flexible material which can allow the nose 14103 to flex distally, for example, and create additional space for the tissue thickness compensator 14120. Referring now to FIGS. 362 and 363, the nose of a staple cartridge can comprise a portion which can slide distally. More particularly, the nose 14203 of the staple cartridge 14200 can comprise a slidable portion 14204 which can be slidably connected to the nose 14203 such that, when the anvil 10060 is closed and/or the firing member 10052 is advanced into the distal end of the staple cartridge 14200, the slidable portion 14204 can slide distally and create additional room for the tissue thickness compensator 14200 and at least partially alleviate the internal pressure therein. One of the nose 14203 and the slidable portion 14204 can comprise one or more rails and the other of the nose 14203 and the slidable portion 14204 can comprise one or more channels configured to slidably receive the rails therein. For example, the channels and rails can be configured to co-operatively limit the movement of the slidable portion 14204 to a longitudinal distal path, for example.

[0799] In various circumstances, further to the above, certain staples, such as the distal-most staples within a staple cartridge, for example, can capture a larger portion of a tissue thickness compensator than the proximal staples within the staple cartridge. In such circumstances, as a result, a large clamping pressure can be applied to the tissue captured within the distal staples as

END6843WOPCT3

compared to the proximal staples. These circumstances can arise when at least a portion of the tissue thickness compensator is shifted to and/or gathered at the distal end of the staple cartridge during use, as described above, even though the tissue thickness compensator may be comprised of a substantially homogenous material having a substantially constant thickness. In various circumstances, it may be desirable for certain staples to apply a higher clamping pressure to the tissue than other staples wherein a support portion and/or a tissue thickness compensator can be constructed and arranged to control which staples may apply the higher clamping pressure to the tissue and which staples may apply a lower clamping pressure to the tissue. Referring now to FIG. 364, a staple cartridge 14300 can comprise a support portion 14310 and, in addition, a tissue thickness compensator 14320 positioned on the deck surface 14311 of the support portion 14310. As compared to other embodiments disclosed in this application which comprise a support portion 14310 having a flat, or at least substantially flat, deck surface, the deck surface 14311 can be inclined and/or declined between the distal end 14305 and the proximal end 14306 of the support portion 14310. The deck surface 14311 of the support portion 14310 can comprise a deck height at its distal end 14305 which is shorter than the deck height at its proximal end 14306. For example, the staples 10030 at the distal end of the staple cartridge 14300 can extend above the deck surface 14311 a larger distance than the staples 10030 at the proximal end. Alternatively, the deck surface of a support portion can comprise a height at its distal end which is taller than its height at its proximal end. Referring again to FIG. 364, the tissue thickness compensator 14320 may comprise a thickness which is different along the longitudinal length thereof. The tissue thickness compensator 14320 can comprise a thickness at its distal end 14325 which is thicker than its proximal end 14326, for example. For example, the tissue thickness compensator 14322 can comprise a bottom surface 14322 which can be inclined or declined to match, or at least substantially match, the inclined or declined deck surface 14311 of the support portion 14310. As a result, the top, or tissue-contacting, surface 14321 of the tissue thickness compensator 14320 can comprise a flat, or at least substantially flat, surface upon which the tissue T can be positioned. In any event, as the tissue thickness compensator 14320 is thicker at its distal end 14325, the distal staples 10030 can capture a larger portion of the tissue thickness compensator 14320 therein than the proximal staples 10030 and, as a result, the distal staples 10030 can apply a larger compressive force to the tissue T, especially when the gap distance between the anvil 10060 and the deck surface 14311 is constant, or at least substantially

END6843WOPCT3

constant, at the proximal and distal ends of the staple cartridge. In certain circumstances, however, the anvil 10060 may not reach a fully closed position and, as a result, the gap distance between the anvil 10060 and the deck surface 14311 may be larger at the distal end of the staple cartridge 14300 than the proximal end. In various circumstances, the distal staples 10030 may not be fully formed and, as a result, the distal staples 10030 may not apply the desired clamping pressure to the tissue T. Where the tissue thickness compensator is thicker at the distal end of the staple cartridge, the tissue thickness compensator may compensate for the underforming of the staples and apply a sufficient pressure to the tissue T.

[0800] Referring now to FIG. 365, a staple cartridge, such as staple cartridge 14400, for example, can comprise a support portion 14410 and, in addition, a tissue thickness compensator 14420 positioned on the deck surface 14411 of the support portion 14410. Similar to the above, the deck surface 14411 can be inclined and/or declined such that, the distal end 14405 of the support portion 14410 can have a deck height which is shorter than the deck height at the proximal end 14406, for example. The tissue thickness compensator 14420 can comprise a constant, or at least substantially constant, thickness along the length thereof and, as a result, the top, or tissue-contacting, surface 14421 of the tissue thickness compensator 14420 may parallel, or at least substantially parallel, the contour of the deck surface 14411. The staples 10030 of the staple cartridge 14400 can be completely embedded within the tissue thickness compensator 14420 and the support portion 14410 when the staples 10030 are in their unfired position. The staples 10030 positioned at the proximal end of the staple cartridge 14400 may be completely embedded within the tissue thickness compensator 14420 and the support portion 14410 when the staples 10030 are in their unfired position whereas, due to the declined slope of the deck 14411 and top surface 14421, the tips of certain staples 10030, including the staples 10030 positioned at the distal end of the staple cartridge 14400, can protrude through the top surface 14421 of the tissue thickness compensator 14420 when the staples 10030 are in their unfired position.

[0801] Optionally, as described above, a tissue thickness compensator can be comprised of a single material wherein the entirety of the tissue thickness compensator can have the same, or at least substantially the same, material properties, such as density, stiffness, spring rate, durometer, and/or elasticity, for example, throughout. Alternatively, referring now to FIG. 368, a tissue thickness compensator, such as tissue thickness compensator 14520, for example, can comprise a

END6843WOPCT3

plurality of materials or layers of materials. The tissue thickness compensator 14520 can comprise a first, or central, layer 14520a, second, or intermediate, layers 14520b attached to the first layer 14520a on opposite sides thereof, and a third, or outer layer 14520c attached to each of the second layers 14520b. The intermediate layers 14520b can be attached to the central layer 14520a utilizing at least one adhesive and, similarly, the outer layers 14520c can be attached to the second layers 14520b utilizing at least one adhesive. In addition to or in lieu of an adhesive, the layers 14520a-14520c can be held together by one or more interlocking features and/or fasteners, for example. In any event, the inner layer 14520a can be comprised of a first material having a first set of material properties, the intermediate layers 14520b can be comprised of a second material having a second set of material properties, and the outer layers 14520c can be comprised of a third material having a third set of material properties, for example. These sets of material properties can include density, stiffness, spring rate, durometer, and/or elasticity, for example. A staple cartridge can comprise six rows of staples 10030, for example, wherein a row of staples 10030 can be at least partially positioned in each of the outer layers 14520c and each of the inner layers 14520b, for example, and wherein two rows of staples 10030 can be at least partially positioned with the inner layer 14520a. In use, similar to the above, the staples 10030 can be ejected from the staple cartridge such that the staple legs 10032 of the staples 10030 penetrate the top surface 14521 of the tissue thickness compensator 14520, penetrate tissue positioned against the top surface 14521 by an anvil, and then contact the anvil such that the legs 10032 are deformed to capture the tissue thickness compensator 14520 and the tissue within the staples 10030. Also similar to the above, the tissue thickness compensator 14520 can be transected by a firing member as the firing member is advanced through the staple cartridge. For example, the firing member can transect the inner layer 14520a, and the tissue, along a path defined by axis 14529, for example.

[0802] Further to the above, the rows of staples 10030 positioned within the inner layer 14520a can comprise the staple rows which are closest to the edges of the transected tissue.

Correspondingly, the rows of staples 10030 positioned within the outer layers 14520c can comprise the staple rows which are furthest away from the edges of the transected tissue. The first material comprising the inner layer 14520a may comprise a density which is higher than the density of the second material comprising the intermediate layers 14520b and, similarly, the density of the second material may be higher than the density of the third material comprising the

END6843WOPCT3

outer layers 14520c, for example. In various circumstances, as a result, larger compressive forces can be created within the staples 10030 positioned within the inner layer 14520a as compared to the compressive forces generated within the staples 10030 positioned within the intermediate layers 14520b and the outer layers 14520c. Similarly, larger compressive forces can be created within the staples 10030 positioned within the intermediate layers 14520b as compared to compressive forces created within the staples 10030 positioned within the outer layers 14520c, for example. Alternatively, the first material comprising the inner layer 14520a may comprise a density which is lower than the density of the second material comprising the intermediate layers 14520b and, similarly, the density of the second material may be lower than the density of the third material comprising the outer layers 14520c, for example. In various circumstances, as a result, larger compressive forces can be created within the staples 10030 positioned within the outer layers 14520c as compared to the compressive forces created within the staples 10030 positioned within the intermediate layers 14520b and the inner layer 14520a. Similarly, larger compressive forces can be created within the staples 10030 positioned within the intermediate layers 14520b as compared to the compressive forces created within the staples 10030 positioned within the inner layer 14520a, for example. Alternatively, any other suitable arrangement of layers, materials, and/or material properties could be utilized. In any event, the layers 14520a-14520c of the tissue thickness compensator 14520 can be configured to remain attached to one another after they have been implanted. The layers 14520a-14520c of the tissue thickness compensator 14520 can be configured to detach from one another after they have been implanted. For example, the layers 14520a-14520c can be bonded together utilizing one or more bioabsorbable adhesives which can initially hold the layers together and then allow the layers to release from one another over time.

[0803] As described above, a tissue thickness compensator of a staple cartridge, such as tissue thickness compensator 14520, for example, can comprise a plurality of longitudinal layers. Alternatively, referring now to FIG. 369, a staple cartridge can comprise a tissue thickness compensator, such as tissue thickness compensator 14620, for example, which can comprise a plurality of horizontal layers. For example, the tissue thickness compensator 14620 can comprise a first, or bottom, layer 14620a, a second, or intermediate, layer 14620b attached to the bottom layer 14620a, and a third, or top, layer 14620c attached to the intermediate layer 14620b. The first layer 14620a can comprise a flat, or substantially flat, bottom surface 14626a and a

END6843WOPCT3

triangular, or pyramidal, top surface 14625a, for example. For example, the second layer 14620b can comprise a triangular, or pyramidal, bottom surface 14626b which can be configured to parallel and abut the top surface 14625a of the first layer 14620a. Similar to the above, the second layer 14620b can comprise a triangular, or pyramidal, top surface 14625b which can parallel and abut a bottom triangular, or pyramidal, bottom surface 14626c of the third layer 14620c, for example. The top surface of the third layer 14626c can comprise a flat, or at least substantially flat, tissue-contacting surface 14621. Also similar to the above, the tissue thickness compensator 14620 can be configured to at least partially store six rows of staples, such as staples 10030, for example, therein wherein a firing member can transect the tissue thickness compensator 14620 between the two innermost staple rows along a path extending through axis 14629, for example. Similar to the above, each layer 14620a, 14620b, and 14620c can be comprised of a different material which can comprise different material properties and, as a result of the triangular, or pyramidal, configuration of the layers 14620a-14620c, the tissue thickness compensator 14620 can have different overall properties at various locations therewithin. For example, the outermost rows of staples 10030 may capture more of the third layer 14620c than the first layer 14620a therein whereas the innermost rows of staples 10030 may capture less of the third layer 14620c than the first layer 14620a and, as a result, the tissue thickness compensator 14620 may compress the tissue captured within the outermost staples 10030 differently than the tissue captured within the innermost staples 10030, for example, even though the tissue thickness compensator 14620 may have the same, or at least substantially the same, overall thickness thereacross.

[0804] Referring now to FIG. 286, a tissue thickness compensator of a staple cartridge, such as tissue thickness compensator 14720 of staple cartridge 14700, for example, can comprise voids, pockets, channels, and/or grooves, for example, defined therein which can vary the thickness of the tissue thickness compensator 14720. For example, the tissue thickness compensator 14720 can be positioned against the deck surface 14711 of a support portion 14710 of the staple cartridge 14700 such that voids 14723 defined in the bottom surface 14722 of the tissue thickness compensator 14720 can overlie certain staple cavities 10012, but not others. The voids 14723 can extend transversely to the knife slot 14715 of the support portion 14710, perpendicular to the knife slot 14715, and/or parallel to the knife slot 14715, for example. The voids 14723 can define a tread pattern in the bottom surface 14722 of the tissue thickness

END6843WOPCT3

compensator 14720. In any event, when staples, such as staples 10030, for example, are deployed from the support portion 14710, referring now to FIGS. 287 and 288, certain staples 10030 can capture the tissue thickness compensator 14720 within a region containing a void 14723 while other staples 10030 can capture the tissue thickness compensator 14720 within a region positioned intermediate the voids 14723. In addition to or in lieu of the above, the tissue thickness compensator 14720 can comprise voids, pockets, channels, and/or grooves, for example, defined in the top, or tissue-contacting, surface 14721. Referring now to FIGS. 366 and 367, a staple cartridge 14800 can comprise a tissue thickness compensator 14820 which can include a plurality of treads 14823 extending at least one of upwardly from a top surface 14821 of the tissue thickness compensator 14820, inwardly toward a central groove 14825, and/or distally toward the distal end of the staple cartridge 14800, for example. For example, the treads 14823 can be separated by channels, slots, and/or grooves, such as channels 14824, for example. In various circumstances, as a result of the above, the overall thickness of the tissue thickness compensator can vary between staple rows and/or vary between the staples within a staple row. In certain circumstances, the treads, or thick portions, can be constructed and arranged such that they can flow in a desired direction, such as inwardly, for example, when the tissue thickness compensator is compressed.

[0805] Referring now to FIG. 303, a staple cartridge, such as staple cartridge 14900, for example, can comprise a support portion 14910 and, in addition, a tissue thickness compensator 14920 positioned against the support portion 14910. Similar to the above, the support portion 14910 can comprise staple drivers which can be lifted upwardly by a staple-deploying sled in order to lift staples, such as staples 10030, for example, at least partially positioned within the support portion 14910 toward an anvil, such as anvil 10060, for example, positioned opposite the staple cartridge 14900. The support portion 14910 can comprise six rows of staple cavities, such as two outer rows of staple cavities, two inner rows of staple cavities, and two intermediate rows of staple cavities positioned intermediate the inner rows and the outer rows, for example, wherein the anvil 10060 can comprise six rows of forming pockets 10062 aligned, or at least substantially aligned, with the staple cavities. The inner rows of staple cavities can include staple drivers 14940a positioned therein, the intermediate rows of staple cavities can include staple drivers 14940b positioned therein, and the outer rows of staple cavities can include staple drivers 14940c positioned therein, wherein each of the staple drivers 14940a can include a cradle 14949a

END6843WOPCT3

configured to support a staple 10030, wherein each of the staple drivers 14940b can include a cradle 14949b configured to support a staple 10030, and wherein each of the staple drivers 14940c can include a cradle 14949c configured to support a staple 10030. In their unfired positions, i.e., when the staple drivers 14940a-14940c are sitting on driver supports 14926 which extend underneath the support portion 14910, the cradles 14949a of the staple drivers 14940a can be positioned closer to the anvil 10060 than the cradles 14949b of the staple drivers 14940b and the cradles 14949c of the staple drivers 14940c. In such a position, a first forming distance can be defined between the cradles 14949a and the forming pockets 10062 positioned over the cradles 14949a, a second forming distance can be defined between the cradles 14949b and the forming pockets 10062 positioned over the cradles 14949b, and a third forming distance can be defined between the cradles 14949c and the forming pockets 10062 positioned over the cradles 14949c, wherein, the first forming distance can be shorter than the second forming distance and the second forming distance can be shorter than the third forming distance, for example. When the staple drivers 14940a-14940c are moved from their unfired positions (FIG. 303) to their fired positions, each staple driver 14940a-14940c can be moved upwardly an equal, or an at least substantially equal, distance toward the anvil 10060 by the staple-deploying sled such that the first drivers 14940a drive their respective staples 10030 to a first formed height, the second drivers 14940b drive their respective staples 10030 to a second formed height, and the third drivers 14940c drive their respective staples 10030 to a third formed height, wherein the first formed height can be shorter than the second formed height and the second formed height can be shorter than the third formed height, for example. Various alternatives are envisioned in which the first staple drivers 14940a are displaced upwardly a first distance, the second staple drivers 14940b are displaced upwardly a second distance, and the third staple drivers 14940c are displaced upwardly a third distance, wherein one or more of the first distance, the second distance, and the third distance can be different.

[0806] Referring again to FIG. 303, the deck surface 14911 of the support portion 14910 can vary in height with respect to the tissue-contacting surface 10061 of the anvil 10060. This height variation can occur laterally and, the height of the deck surface 14911 surrounding the inner rows of staple cavities can be higher than the deck surface 14911 surrounding the outer rows of staple cavities, for example. The bottom surface 14922 of the tissue thickness compensator 14920 can be configured to parallel, or at least substantially parallel, the deck surface 14911 of the support

END6843WOPCT3

portion 14910. Further to the above, the tissue thickness compensator 14920 can also vary in thickness wherein, the top, or tissue-contacting, surface 14921 of the tissue thickness compensator 14920 can slope inwardly from the outside or lateral edges thereof. For example, as a result of the above, the tissue thickness compensator 14920 can be thinner in a region positioned over the inner rows of staple cavities and thicker in a region positioned over the outer rows of staple cavities, for example. Referring now to FIG. 304, the deck surface of a support portion 15010 can comprise a stepped deck surface, for example, wherein the highest steps of the stepped surface can surround the inner rows of staple cavities and the lowest steps of the stepped surface can surround the outer rows of staple cavities, for example. For example, steps having an intermediate height can surround the intermediate rows of staple cavities. A tissue thickness compensator, such as tissue thickness compensator 15020, for example, can comprise a bottom surface which can parallel and abut the deck surface of the support portion 15010. The top, or tissue-contacting, surface 15021 of the tissue thickness compensator can comprise an arcuate, parabolic, and/or curved surface, for example, which, for example, can extend from a first lateral side of the tissue thickness compensator 15020 to a second lateral side of the tissue thickness compensator 15020 with an apex aligned, or at least substantially aligned, with the center of the staple cartridge 15000, for example. Referring now to FIG. 299, a staple cartridge 15300, for example, can comprise a support portion 15310, a plurality of staple drivers 15340 movably positioned within staple cavities defined in the support portion 15310, and a tissue thickness compensator 15320 positioned above the deck surface 15311 of the support portion 15310. The staple cartridge 15300 can further comprise one or more bottom pan portions 15326 which can be attached to the support portion 15310 and extend around the bottom of the support portion 15310 and support the drivers 15340, and staples 15330, in their unfired positions. As a staple-deploying sled is advanced through the staple cartridge, the sled can also be supported by the bottom pan portions 15326 as the sled lifts the staple drivers 15340 and the staples 15330 upwardly through the tissue thickness compensator 15320. The tissue thickness compensator 15320 can comprise a first, or inner, portion 15322a positioned over an inner row of staple cavities, a second, or intermediate portion 15322b positioned over an intermediate row of staple cavities, and a third, or outer, portion 15322c positioned over a row of staple cavities, wherein the inner portion 15322a can be thicker than the intermediate portion 15322b and the intermediate portion 15322b can be thicker than the outer portion 15322c, for example. The

END6843WOPCT3

tissue thickness compensator 15320 can comprise longitudinal channels, for example, defined therein which can create the thinner portions 15322b and 15322c of the tissue thickness compensator 15320. Alternatively, the longitudinal channels can be defined in the top surface and/or the bottom surface of a tissue thickness compensator. The top surface 15321 of the tissue thickness compensator 15320 can comprise a flat, or at least substantially flat, surface, for example.

[0807] Referring now to FIG. 296, a staple cartridge can comprise a tissue thickness compensator, such as tissue thickness compensator 15120, for example, which can comprise a plurality of portions having different thicknesses. The tissue thickness compensator 15120 can comprise a first, or inner, portion 15122a which can have a first thickness, second, or intermediate, portions 15122b extending from the first portion 15122a which can each have a second thickness, and third, or outer, portions 15122c extending from the second portions 15122b which can each have a third thickness. For example, the third thickness can be thicker than the second thickness and the second thickness can be thicker than the first thickness, for example, although any suitable thicknesses could be utilized. The portions 15122a-15122c of the tissue thickness compensator 15120 can comprise steps having different thickness. Similar to the above, a staple cartridge can comprise several rows of staples 10030 and a plurality of staple drivers having different heights which can deform the staples 10030 to different formed heights. Also similar to the above, the staple cartridge can comprise first staple drivers 15140a which can drive the staples 10030 supported thereon to a first formed height, second staple drivers 15140b which can drive the staples 10030 supported thereon to a second formed height, and third staple drivers which can drive the staples 10030 supported thereon to a third formed height, wherein the first formed height can be shorter than the second formed height and the second formed height can be shorter than the third formed height, for example. Optionally, as illustrated in FIG. 296, each staple 10030 can comprise the same, or substantially the same, unformed, or unfired, height. Alternatively, referring now to FIG. 296A, the first drivers 15140a, the second drivers 15140b, and/or the third drivers 15140c can support staples having different unformed heights. For example, the first staple drivers 15140a can support staples 15130a having a first unformed height, the second staple drivers 15140b can support staples 15130b having a second unformed height, and the third staple drivers 15140c can support staples 15130c having a third unformed height, wherein the first unformed height can be shorter than the second unformed height and the

END6843WOPCT3

second unformed height can be shorter than the third unformed height, for example. Referring again to FIG. 296A, the tips of the staples 15130a, 15130b, and/or 15130c can lie, or at least substantially lie, in the same plane while, alternatively, the tips of the staples 15130a, 15130b, and/or 15130c may not lie in same plane. Referring now to FIG. 297, a staple cartridge can include a tissue thickness compensator 15220 having a plurality of portions having different thickness which can be implanted against the tissue T by the staples 15130a, 15130b, and 15130c, as described above. Referring now to FIG. 298, the staples 15130a, 15130b, and/or 15130c can be deformed to different formed heights wherein the first staples 15130a can be formed to a first formed height, the second staples 15130b can be formed to a second formed height, and the third staples 15130c can be formed to a third formed height, and wherein the first formed height can be shorter than the second formed height and the second formed height can be shorter than the third formed height, for example. Alternatives are envisioned in which the staples 15130a, 15130b, and 15130c can be formed to any suitable formed heights and/or any relative formed heights.

[0808] Optionally, as described above, the anvil of a surgical stapling instrument can be moved between an open position and a closed position. In such circumstances, the tissue-contacting surface of the anvil can be moved into its final, or forming, position as the anvil is moved into its closed position. Once the anvil is in its closed position, the tissue-contacting surface may no longer be adjustable. Alternatively, referring now to FIG. 351, a surgical stapler, such as surgical stapler 15500, for example, can comprise an anvil channel 15560 and an adjustable tissue-contacting anvil adjustment plate 15561 positioned within the anvil channel 15560. In such cases, the anvil plate 15561 can be raised and/or lowered within the anvil channel 15560 in order to adjust the position of the tissue-contacting surface of the anvil plate 15561 relative to a staple cartridge positioned opposite the anvil plate 15561. The surgical stapler 15500 can comprise an adjustment slide 15564 which, referring to FIGS. 356 and 357, can be slid intermediate the anvil channel 15560 and the anvil plate 15561 in order to control the distance between the anvil plate 15561 and the staple cartridge. Referring again to FIGS. 351 and 352, the surgical stapler 15500 can further comprise an actuator 15562 coupled to the adjustment slide 15564 which can be slid proximally in order to slide the adjustment slide 15564 proximally and/or slid distally in order to slide the adjustment slide 15564 distally. Referring again to FIGS. 356 and 357, the actuator 15562 can be slid between two or more pre-defined positions in order to adjust the anvil plate

END6843WOPCT3

15561 between two or more positions, respectively. Such pre-defined positions can be demarcated on the surgical stapler 15500 as demarcations 15563 (FIG. 351), for example. Referring to FIG. 357, the adjustment slide 15564 can comprise a plurality of support surfaces, such as first support surface 15565a, second support surface 15565b, and third support surface 15565c, for example, which can be aligned with a plurality of plate positioning surfaces, such as first positioning surface 15569a, second positioning surface 15569b, and third positioning surface 15569c, respectively, on the backside of the anvil plate 15561 in order to position the anvil plate 15561 in a first position. In order to position the anvil plate 15561 in a second position, the actuator 15562 and the slide 15564 can be slid proximally, for example, in order to realign the support surfaces 15565a-15565c of the slide 15564 relative to the positioning surfaces 15569a-15569c of the anvil plate 15561. More particularly, referring to FIG. 356, the slide 15564 can be slid distally such that the first support surface 15565a of the slide 15564 can be positioned behind the second positioning surface 15569b of the anvil plate 15561 and such that the second support surface 15565b of the slide 15564 can be positioned behind the third positioning surface 15569c of the anvil plate 15561 in order to move the anvil plate 15561 closer to the staple cartridge. When the anvil plate 15561 is moved from its first position to its second position, in such circumstances, the adjustable anvil plate 15561 can further compress the tissue T positioned between the anvil plate 15561 and the staple cartridge. In addition to the above, the formed height of the staples can be controlled by the position of the anvil plate 15561 relative to the staple cartridge as the forming pockets defined in the anvil plate 15561 will move closer to and/or further away from the staple cartridge when the anvil plate 15561 is adjusted. Although only two positions are discussed above, the slide 15564 can be slid into a suitable number of positions to move the anvil plate 15561 closer to and/or away from the staple cartridge. In any event, once the anvil plate 15561 has been suitably positioned, a staple-deploying sled 15550 can be slid distally within the staple cartridge in order to lift staple drivers 15540 and staples 15530 toward the anvil plate 15561 and staple the tissue T, as illustrated in FIG. 354. Similar surgical staplers are disclosed in U.S Patent Application Serial No. 13/036,647, entitled SURGICAL STAPLING INSTRUMENT, which was filed on February 28, 2011, the entire disclosure of which is incorporated by reference herein.

[0809] Referring now to FIG. 353, a staple cartridge can be positioned within a staple cartridge channel 15570 of the surgical stapler 15500 which can comprise a tissue thickness compensator,

END6843WOPCT3

such as tissue thickness compensator 15520, for example. When the anvil plate 15561 is moved toward the staple cartridge, as described above, the anvil plate 15561 can compress the tissue thickness compensator 15520 and/or the tissue T positioned intermediate the anvil plate 15561 and the tissue thickness compensator 15520. As the staples 15530 are deployed from the staple cartridge, referring to FIG. 355, the staples 15530 can compress and implant the tissue thickness compensator 15520 against the tissue T. Optionally, when the anvil plate 15561 is positioned against the slide 15564 and tissue has not yet been placed between the anvil plate 15561 and the tissue thickness compensator 15520, a gap can be defined between the anvil plate 15561 and the top surface 15521 of the tissue thickness compensator 15520 when the anvil plate 15561 is in a first position. When the anvil plate 15561 is moved into a second position, the anvil plate 15561 can contact the tissue thickness compensator 15520. Alternatively, when the anvil plate 15561 is positioned against the slide 15564 and tissue has not yet been placed between the anvil plate 15561 and the tissue thickness compensator 15520, a gap can be defined between the anvil plate 15561 and the top surface 15521 of the tissue thickness compensator 15520 when the anvil plate 15561 is in a first position and/or a second position. For example, the anvil plate 15561 may not come into contact with the tissue thickness compensator 15520. Alternatively, when the anvil plate 15561 is positioned against the slide 15564 and tissue has not yet been placed between the anvil plate 15561 and the tissue thickness compensator 15520, the anvil plate 15561 can be in contact with the top surface 15521 of the tissue thickness compensator 15520 regardless of whether the anvil plate 15561 is in a first position and/or a second position, for example. Although only two positions for the anvil plate 15611 are described herein, the anvil plate 15611 may be positioned, or indexed, into any suitable number of positions.

[0810] Optionally, as a result of the above, a surgical stapling instrument can comprise means for adjusting the formed height of the staples which can, in various circumstance, compensate for different tissue thicknesses. In addition, the surgical stapling instrument can comprise other means for compensating for different tissue thicknesses and/or thickness variations within the tissue, for example. For example, the anvil plate 15561 can be adjusted upwardly, or away, from the opposing staple cartridge to increase the formed, or fired, height of the staples.

Correspondingly, the anvil plate 15561 can be adjusted downwardly, or toward, the opposing staple cartridge to decrease the formed, or fired, height of the staples. The adjustment of the anvil plate 15561, for example, can adjust the gap between the forming pockets defined in the anvil

END6843WOPCT3

plate 15561 and the fired height of the staple drivers or, more specifically, the fired height of the staple driver cradles, for example. Even with such a capacity to adjust the formed height of the staples to account for thicker and/or thinner tissue, for example, a tissue thickness compensator can also compensate for thicker and/or thinner tissue and/or compensate for thickness variations within the tissue, as described above. In such cases, a surgeon can be afforded with several compensation means within the same surgical stapling instrument.

[0811] As described above, a surgical stapling instrument can utilize a staple cartridge having a linear arrangement of staple cavities and staples wherein a firing member can be advanced distally through the staple cartridge to deploy the staples from the staple cavities. A staple cartridge can comprise rows of staple cavities and staples which are curved. Referring now to FIGS. 345 and 346, a surgical stapling instrument, such as stapler 15600, for example, can comprise one or more circular or annular rows of staple cavities defined in a circular or annular support portion 15610. Such circular staple rows can comprise a circular row of inner staple cavities 15612 and a circular row of outer staple cavities 15613, for example. For example, the circular rows of staple cavities can surround a circular or annular aperture 15615 defined in the stapler 15600 which can house a circular or annular knife movably positioned therein. In use, tissue can be positioned against the deck surface 15611 of the support portion 15610 and an anvil (not illustrated) can be assembled to the surgical stapler 15600 via an actuator extending through and/or positioned within the aperture 15615 such that, when the actuator is actuated, the anvil can be clamped toward the support portion 15610 and compress the tissue against the deck surface 15611. Once the tissue has been sufficiently compressed, the staples positioned within the staple cavities 15612 and 15613 can be ejected from the support portion 15610 and through the tissue such that the staples can contact the anvil and be sufficiently deformed to capture the tissue therein. As the staples are being fired and/or after the staples have been fired, the circular knife can be advanced to transect the tissue. Thereafter, the anvil can be moved away from the support portion 15610 and/or detached from the surgical stapler 15600 such that the anvil and the surgical stapler 15600 can be removed from the surgical site. Such surgical staplers 15600 and such surgical techniques can be utilized to join two portions of a large intestine, for example. In various circumstances, the circular staple lines may be configured to hold the portions of the large intestine together while the tissue heals and, at the same time, permit the portions of the large intestine to resiliently expand. Similar surgical stapling instruments and surgical techniques

END6843WOPCT3

are disclosed in U.S. Patent No. 5,285,945, entitled SURGICAL ANASTOMOSIS STAPLING INSTRUMENT, which issued on February 15, 1994, the entire disclosure of which is incorporated by reference herein.

[0812] Further to the above, a tissue thickness compensator may be positioned against and/or attached to the support portion 15610 of the surgical stapler 15600, for example. The tissue thickness compensator can be comprised of a circular or annular ring of material comprising an inner radius and an outer radius, for example. In certain circumstances, tissue can be positioned against this ring of material and, when the anvil is used to move the tissue toward the support portion 15610, the tissue thickness compensator can be compressed between the tissue and the deck surface 15611. During use, the staples can be fired through the tissue thickness compensator and the tissue such that the staples can contact the anvil and deform to their fired position to capture portions of the tissue and the tissue thickness compensator within the staples. In various circumstances, further to the above, the ring of material comprising the tissue thickness compensator must be sufficiently resilient to permit the portions of the large intestine surrounding the staple lines to expand. Referring again to FIGS. 345 and 346, a flexible tissue thickness compensator 15620 can comprise a circular or annular flexible inner ring 15624, for example, which, for example, can define a circular or annular aperture 15625. The inner ring 15624 may be configured such that it is not captured within staples deployed from the surgical stapler 15600; rather, the inner ring 15624 may be positioned radially inwardly with respect to the inner row of staple cavities 15612. For example, the tissue thickness compensator 15620 can comprise a plurality of tags, such as inner tags 15622 and outer tags 15623, for example, extending therefrom such that the tags can be at least partially captured within the staples as they are being deformed. More particularly, referring primarily to FIG. 345, each inner tag 15622 can comprise a head which is positioned over a staple cavity 15612 defined in the surgical stapler 15600 wherein the head can be attached to the inner ring 15624 by a neck 15626, for example, and, similarly, each outer tag 15623 can comprise a head which is positioned over a staple cavity 15613 defined in the surgical stapler 15600 wherein the head can be attached to the inner ring 15624 by a neck 15627, for example. The heads of the inner tags 15622 and the outer tags 15623 can comprise any suitable shape, such as round, oval, and/or elliptical, for example. The necks 15626 and/or 15627 can also comprise any suitable shape wherein, the necks 15627 connecting the heads of the outer tags 15623 to the inner ring 15624 can be configured to extend between

END6843WOPCT3

adjacent inner staple cavities 15612 in the support portion 15610 such that the necks 15627 are not captured within the staples deployed from the inner staple cavities 15612.

[0813] Referring now to FIGS. 347 and 348, a flexible tissue thickness compensator 15720 can comprise a circular or annular flexible outer ring 15724, for example. The outer ring 15724 may be configured such that it is not captured within staples deployed from the surgical stapler 15600; rather, the outer ring 15724 may be positioned radially outwardly with respect to the outer row of staple cavities 15613. For example, the tissue thickness compensator 15720 can comprise a plurality of tags, such as inner tags 15622 and outer tags 15623, for example, extending therefrom such that the tags can be at least partially captured within the staples as they are being deformed. More particularly, referring primarily to FIG. 347, each inner tag 15622 can comprise a head which is positioned over a staple cavity 15612 defined in the surgical stapler 15600 wherein the head can be attached to the outer ring 15724 by a neck 15726, for example, and, similarly, each outer tag 15623 can comprise a head which is positioned over a staple cavity 15613 defined in the surgical stapler 15600 wherein the head can be attached to the outer ring 15724 by a neck 15727, for example. The heads of the inner tags 15622 and the outer tags 15623 can comprise any suitable shape, such as round, oval, and/or elliptical, for example. The necks 15726 and/or 15727 can also comprise any suitable shape wherein, the necks 15726 connecting the heads of the inner tags 15622 to the outer ring 15724 can be configured to extend between adjacent outer staple cavities 15613 such that the necks 15726 are not captured within the staples deployed from the outer staple cavities 15613. Alternatively, a tissue thickness compensator can comprise a circular or annular flexible inner ring, a circular or annular flexible outer ring, and, in addition, a plurality of tags which can be connected to the inner ring and/or the outer ring. Certain tags can be connected to the inner ring and certain other tags can be connected to the outer ring. At least some of the tags can be connected to both the inner ring and the outer ring. In any event, further to the above, the inner ring 15624 of the tissue thickness compensator 15620, the outer ring 15724 of the tissue thickness compensator 15720, and/or any other suitable tissue thickness compensator, can be configured to resiliently expand and/or contract in order to accommodate the expansion and/or contraction of the tissue that it has been implanted against. Furthermore, although various embodiments are described herein as comprising circular or annular support rings, a tissue thickness compensator can comprise any suitably-shaped support structure for connecting the tags thereto. Further to the above, the circular knife advanced by the

END6843WOPCT3

surgical stapler to cut the tissue captured between the anvil and the support portion can also cut the buttress material. For example, the knife can separate the inner support ring from the tags by cutting the necks thereof, for example.

[0814] Further to the above, a tissue thickness compensator can comprise detachable and/or relatively movable positions which can be configured to allow the tissue thickness compensator to expand and/or contract in order to accommodate the movement of the tissue that it has been implanted against. Referring now to FIGS. 349 and 350, a circular or annular tissue thickness compensator 15820 can be positioned against and/or supported by the deck surface 15611 of the surgical stapler 15600 which can be held in an unexpanded position (FIG. 349) as it is being implanted against the tissue and, after the tissue thickness compensator 15820 has been implanted, the tissue thickness compensator 15820 can be configured to expand outwardly, as illustrated in FIG. 350. The tissue thickness compensator 15820 can comprise a plurality of arcuate portions 15822 which can be connected together by an inner ring 15824, for example. The arcuate portions 15822 can be separated from one another by seams 15828. Alternatively, the arcuate portions 15822 may be connected to one another wherein, for example, an arrangement of perforations may permit the arcuate portions 15822 to separate from one another. In either event, the arcuate portions 15822 can each comprise interlocking features, such as projections 15826 and notches 15823, for example, which can co-operate to limit relative movement between the arcuate portions 15822 prior to the tissue thickness compensator 15820 being implanted. Further to the above, each arcuate portion 15822 can be connected to the inner ring 15824 by one or more connectors 15827, for example, which can be configured to releasably hold the arcuate portions 15822 in position. After the staples, such as staples 10030, for example, stored within the support portion 15610 have been utilized to implant the tissue thickness compensator 15620 against the tissue, referring primarily to FIG. 350, the connectors 15827 can detach from the inner ring 15824 and allow the tissue thickness compensator 15820 to at least partially expand to accommodate movement within the underlying tissue. In various circumstances, all of the arcuate portions 15822 may detach from the inner ring 15824 while, in other circumstances, only some of the arcuate portions 15822 may detach from the inner ring 15824. Alternatively, the arcuate portions 15822 can be connected by flexible sections which can permit the arcuate portions 15822 to move relative to each other but not detach from one another. For example, the flexible sections may not receive staples therein and can be configured to

END6843WOPCT3

stretch and/or contract to accommodate the relative movement of the arcuate portions 15822. In FIGS. 349 and 350, the tissue thickness compensator 15820 can comprise eight arcuate portions 15822, for example. Alternatively, a tissue thickness compensator can comprise any suitable number of arcuate portions, such as two or more arcuate portions, for example.

[0815] Further to the above, a tissue thickness compensator 15620, 15720, and/or 15820, for example, can be configured to compensate for thicker and/or thinner tissue captured between the anvil and the support portion 15610 of the surgical instrument 15600. Optionally, similar to the above, the formed, or fired, height of the staples can be adjusted by moving the anvil toward and/or away from the support portion 15610. More particularly, the anvil can be moved closer to the support portion 15610 to decrease the formed height of the staples while, correspondingly, the anvil can be moved further away from the support portion 15610 to increase the formed height of the staples. In such cases, as a result, a surgeon can adjust the anvil away from the support portion 15610 to account for thick tissue and toward the support portion 15610 to account for thin tissue. In various other circumstances, the surgeon may decide not to adjust the anvil at all and rely on the tissue thickness compensator to account for the thinner and/or thicker tissue. Optionally, as a result, the surgical instrument 15600 can comprise at least two means for compensating for different tissue thicknesses and/or variations in the tissue thickness.

[0816] Optionally, as described above, a tissue thickness compensator can be attached to a support portion of a staple cartridge. The bottom surface of the tissue thickness compensator can comprise one of a layer of hooks or a layer of loops while a deck surface on the support portion can comprise the other one of the layer of hooks and the layer of loops. For example, the hooks and the loops can be configured to engage one another and releasably retain the tissue thickness compensator to the support portion. Optionally, each hook can comprise an enlarged head extending from a neck, for example. A plurality of pads comprising the loops, for example, can be bonded to the bottom surface of the tissue thickness compensator while a plurality of pads comprising the hooks can be bonded to the deck surface of the support portion. The support portion can comprise one or more apertures and/or recesses, for example, which can be configured to receive an insert therein comprising hooks and/or loops. In addition to or in lieu of the above, a tissue thickness compensator can be removably mounted to an anvil utilizing such hook and loop arrangements, for example. The hooks and loops can comprise fibrous surfaces, for example.

END6843WOPCT3

[0817] Optionally, as described above, a staple cartridge can comprise a support portion and a tissue thickness compensator attached to the support portion. As also described above, the support portion can comprise a longitudinal slot configured to receive a cutting member therein and the tissue thickness compensator can comprise a retention member that can be retained in the longitudinal slot. Referring now to FIG. 386, a staple cartridge 16000 can comprise a support portion 16010 including a deck surface 16011 and a longitudinal slot 16015. The staple cartridge 16000 can further comprise a tissue thickness compensator 16020 positioned above the deck surface 16011. The tissue thickness compensator 16020 can include a longitudinal retention member 16025 which extends downwardly into the longitudinal slot 16015. For example, the retention member 16025 can be pressed into the slot 16015 such that the interaction between the retention member 16025 and the slot 16015 can resist relative movement between the support portion 16010 and the tissue thickness compensator 16020. The body of the tissue thickness compensator 16020 can be comprised of a first material and the retention member 16025 can be comprised of a second, or different, material. The body of the tissue thickness compensator 16020 can be comprised of a material having a first durometer and the retention member 16025 can be comprised of a material having a second durometer, wherein the second durometer can be higher than the first durometer, for example. In use, the staples 10030 can be pushed upwardly by staple drivers 10040 such that the tips of the staples 10030 can push through the body of the tissue thickness compensator 16020 and emerge from the tissue contacting surface 16021 and capture at least a portion of the tissue thickness compensator 16020 against the targeted tissue. According to the invention, a cutting member passing through the slot 16015 can transect the retention member 16025 as the staples 10030 are being deployed. Once the tissue thickness compensator 16020 has been implanted, the retention member 16025 can be pulled out of the slot 16015. The body of the tissue thickness compensator 16020 can be configured to detach from the retention member 16025.

[0818] Referring now to FIGS. 387 and 389, a staple cartridge 17000 can comprise a support portion 17010 including a deck surface 17011 and a longitudinal slot 17015. The staple cartridge 17000 can further comprise a tissue thickness compensator 17020 positioned above the deck surface 17011. The tissue thickness compensator 17020 can include a longitudinal retention member 17025 which extends downwardly into the longitudinal slot 17015. For example, the retention member 17025 can be pressed into the slot 17015 such that the interaction between the

END6843WOPCT3

retention member 17025 and the slot 17015 can resist relative movement between the support portion 17010 and the tissue thickness compensator 17020. The retention member 17025 can extend through the entirety of the tissue thickness compensator 17020 to the top surface 17021 thereof wherein body portions 17024 of the tissue thickness compensator 17020 can be attached to opposite sides of the retention member 17025. For example, the retention member 17025 can also be configured to resist the lateral deflection, for example, of the tissue thickness compensator 17020. The body portions 17024 can be comprised of a first material and the retention member 17025 can be comprised of a second, or different, material. The body portions 17024 can be comprised of a material having a first durometer and the retention member 17025 can be comprised of a material having a second durometer, wherein the second durometer can be higher than the first durometer, for example. Further to the above, a cutting member passing through the slot 17015 can transect the retention member 17025 as the staples 10030 are being deployed. Once the tissue thickness compensator 17020 has been implanted, the retention member 17025 can be pulled out of the slot 17015. The body portions 17024 can be configured to detach from the retention member 17025.

[0819] Referring now to FIG. 388, a staple cartridge 18000 can comprise a support portion 18010 including a deck surface 18011 and a longitudinal slot 18015. The staple cartridge 18000 can further comprise a tissue thickness compensator 18020 positioned above the deck surface 18011. The tissue thickness compensator 18020 can include a longitudinal retention member 18025 which extends downwardly into the longitudinal slot 18015. For example, the retention member 18025 can be pressed into the slot 18015 such that the interaction between the retention member 18025 and the slot 18015 can resist relative movement between the support portion 18010 and the tissue thickness compensator 18020. The retention member 18025 can extend through the entirety of the tissue thickness compensator 18020 to the top surface 18021 thereof wherein body portions 18024 of the tissue thickness compensator 18020 can be attached to opposite sides of the retention member 18025. The retention member 18025 can comprise an enlarged portion 18026 which can be received in a cavity 18016 defined in the slot 18015. For example, the enlarged portion 18026 can resist the withdrawal of the retention member 18025 from the slot 18015.

[0820] Referring now to FIG. 400, a tissue thickness compensator 21020 can comprise a compensator body 21022 and a plurality of capsules, or tubes, 21024 positioned therein. Each of

END6843WOPCT3

the tubes 21024 can include a cavity 21026 defined therein which can include one or more medicaments therein. As described in greater detail below, the tissue thickness compensator 21020 can be manufactured by placing the tubes 21024 in a mold, for example, and forming the compensator body 21022 around the tubes 21024. The one or medicaments can be placed in the tubes 21024 before the tubes 21024 are placed in the mold such that, after the compensator body 21022 has solidified, lyophilized, and/or cured, for example, the tubes 21024 can be encapsulated in the compensator body 21022. Alternatively, referring now to FIG. 401, a tissue thickness compensator 21120 can comprise a plurality of capsules, or tubes, 21124 positioned within a compensator body 21122 wherein one or more medicaments can be loaded into the tubes 21124 after the compensator body 21122 has been formed around the tubes 21124. For example, the tissue thickness compensator 21120 can comprise a port 21123 which can be in fluid communication with the tubes 21124 and can be configured to permit the one or medicaments to be injected into the tubes 21124 utilizing a syringe 21125, for example. In some circumstances, a surgeon, or other clinician, can load the one or more medicaments into the tubes 21124 just before the tissue thickness compensator 21120 is inserted into the patient. These may be especially useful when the tissue thickness compensator 21120 may be expected to, or required to, have a long storage duration, or shelf-life.

[0821] Referring now to FIG. 402, the compensator body 21022 of the tissue thickness compensator 21020 can be comprised of a bioabsorbable material, for example. The compensator body 21022 can be comprised of any suitable material, such as PGA and/or PCL, for example. The tubes 21024 can be comprised of any suitable of a bioabsorbable material, for example. The tubes 21024 can be comprised of any suitable material, such as hyaluronic acid, gelatin, PDS, and/or oxidized regenerated cellulose (ORC), for example. The one or medicaments 21025 contained within the cavity 21026 can comprise a fluid, such as, doxycycline, for example. For example, each of the tubes 21024 can be sealed such that the medicaments 21025 can be stored within the tubes 21024 until at least a portion of the tubes 21024 have been dissolved and/or bioabsorbed, for example. In use, referring now to FIG. 403, the tubes 21024 can be exposed to a bodily fluid, such as blood, for example, which can come into contact with and dissolve the tubes 21024. Referring to FIG. 404, the bodily fluid can be expressed from tissue T when the tissue T and the tissue thickness compensator 21020 are compressed by an anvil 21060 and/or a plurality of staples 21030, for example. According to the invention, a bioabsorbable wrap can be utilized

END6843WOPCT3

to enclose, or at least partially enclose, the compensator body 21022. For example, the wrap can be comprised of hyaluronic acid and/or ORC, for example.

[0822] Referring now to FIG. 406, a capsule, or tube, 21224 can comprise a plurality of layers 21224a-21224d, for example. Each tube 21224 can comprise an outer, or first, layer 21224a, a second layer 21224b, a third layer 21224c, and an inner layer 21224d, for example. The outer layer 21224a can be comprised of a haemostatic material, such as thrombin, for example. The second layer 21224b can be comprised of an anti-microbial and/or anti-biotic material, such as doxycycline and/or gentamicin, for example. The third layer 21224c can be comprised of an anti-inflammatory material, such as diclofenac and/or NSAIDSs, for example. The inner layer 21224d can be comprised of a healing influencing material, such as a powdered collagen synthetic material, for example. Referring again to FIG. 406, the tube 21224 can be structured and arranged such that the outer layer 21224a is dissolved, or at least substantially dissolved, before the second layer 21224b is dissolved, or at least partially dissolved. Referring to FIG. 405, the outer layer 21224a can begin dissolve as soon as it is exposed to a bodily fluid. This moment in time is indicated as time t_0 . The outer layer 21224a can be completely dissolved over the course of minutes, hours, and/or days wherein the material comprising the outer layer 21224a can reach a maximum efficacy or concentration at a moment in time indicated as time t_1 . At some later moment in time, the outer layer 21224a can be completely, or at least substantially, dissolved by a moment in time indicated by time t_2 .

[0823] As the outer layer 21224a is being dissolved, the bodily fluid can reach the second layer 21224b and begin to at least partially dissolve the second layer 21224b. Similar to the above, the second layer 21224b can be completely dissolved over the course of minutes, hours, and/or days wherein the material comprising the second layer 21224b can reach a maximum efficacy or concentration at a moment in time indicated as time t_3 . In various circumstances, a bodily fluid can pass through the outer layer 21224a to reach the second layer 21224b such that the outer layer 21224a and the second layer 21224b can begin to dissolve at the same, or at least substantially the same, time. In any event, the reader will note that the time t_1 in which the material comprising the outer layer 21224a reaches its maximum efficacy or concentration can occur before time t_3 . At some later moment in time, the second layer 21224b can be completely, or at least substantially, dissolved by a moment in time indicated by time t_5 . As the reader will also note, the time t_5 can occur after time t_2 . As the second layer 21224b is being dissolved, the

END6843WOPCT3

bodily fluid can reach the third layer 21224c and begin to at least partially dissolve the third layer 21224c. Similar to the above, the third layer 21224c can be completely dissolved over the course of minutes, hours, and/or days wherein the material comprising the third layer 21224c can reach a maximum efficacy or concentration at a moment in time indicated as time t6. In various circumstances, a bodily fluid can pass through the outer layer 21224a and the second layer 21224b to reach the third layer 21224c such that the outer layer 21224a, the second layer 21224b, and/or the third layer 21224c can begin to dissolve at the same, or at least substantially the same, time. In any event, the reader will note that the time t3 in which the material comprising the second layer 21224b reaches its maximum efficacy or concentration can occur before time t6. At some later moment in time, the third layer 21224c can be completely, or at least substantially, dissolved by a moment in time indicated by time t8. As the reader will also note, the time t8 can occur after time t5.

[0824] As the third layer 21224c is being dissolved, the bodily fluid can reach the fourth layer 21224d and begin to at least partially dissolve the fourth layer 21224d at a moment in time indicated by time t4. Similar to the above, the fourth layer 21224d can be completely dissolved over the course of minutes, hours, and/or days wherein the material comprising the fourth layer 21224d can reach a maximum efficacy or concentration at a moment in time indicated as time t7. In various circumstances, a bodily fluid can pass through the outer layer 21224a, the second layer 21224b, and the third layer 21224c to reach the fourth layer 21224d such that the outer layer 21224a, the second layer 21224b, the third layer 21224c, and/or the fourth layer 21224d can begin to dissolve at the same, or at least substantially the same, time. In any event, the reader will note that the time t6 in which the material comprising the third layer 21224c reaches its maximum efficacy or concentration can occur before time t7. At some later moment in time, the fourth layer 21224d can be completely, or at least substantially, dissolved by a moment in time indicated by time t9. As the reader will also note, the time t9 can occur after time t8. Optionally, as a result of the above, a staged release of medicaments can occur.

[0825] Referring now to FIGS. 410 and 412, a staple cartridge 21300 can comprise a cartridge body 21310 including a plurality of staple cavities 21312 and a plurality of staples 21330 positioned therein. The staple cartridge 21300 can further comprise a tissue thickness compensator 21320 which can include a compensator body 21322 positionable against the cartridge body 21310 and, in addition, a plurality of discrete capsules 21324 positioned within

END6843WOPCT3

the compensator body 21322. The capsules 21324 can be vertically oriented and, when the staples 21330 are in their unfired configuration, as illustrated in FIG. 412, each capsule 21324 can be positioned between the staple legs 21322 of a staple 21330. For example, the staple legs 21322 may at least partially extend into the tissue thickness compensator 21320 when the staples 21330 are in their unfired position without rupturing the capsules 21324. When the staples 21330 are moved from their unfired position to their fired position, referring now to FIG. 413, the staples 21330 can rupture the capsules 21324 and thereby release the at least one medicament stored therein. More particularly, the staples 21330 can be deformed by the forming pockets 21062 defined in the anvil 21060 when the staples 21330 are lifted upwardly such that the staple legs 21332 can be curled, or deformed, downwardly and inwardly toward the capsules 21324 positioned therebetween. The staples 21330 can be lifted upwardly by a firing system comprising drivers 21340 and sled 21345 wherein the sled 21345 can be configured to longitudinally traverse the staple cartridge 21000 and sequentially lift and fire the staple drivers 21340 and the staples 21330 positioned thereon. In any event, the staple legs 21332 can pierce and/or crush the capsules 21324 such that the internal cavities 21326 defined in the capsules 21324 can be breached and the one or more medicaments contained in the internal cavities 21326 can escape therefrom. The one or more medicaments can include one or more powders and/or fluids contained therein, for example. The staple cartridge 21300 can further comprise a cutting member 21380 which can be advanced distally with the sled 21345 in order to transect the tissue T positioned between the staple cartridge 21300 and the anvil 21060, for example. The cutting member 21380 can be configured to pass through a knife slot 21314 defined in the cartridge body 21310 wherein, for example, one or more capsules, such as capsules 21324, for example, can be positioned within and/or above the knife slot 21314 such that the cutting member 21380 can transect such capsules 21324. In any event, the tissue thickness compensator 21320 can further comprise a layer 21321 positioned on the top, and/or bottom, of the cartridge body 21322 which, for example, can be comprised of hyaluronic acid, for example, and can stabilize the cartridge body 21322 and/or the staples 21330. For example, the cutting member 21380 can be configured to transect the layer 21321 when the cutting member 21380 is advanced through the staple cartridge 21300 as described above.

[0826] Referring now to FIG. 414, a tissue thickness compensator 21420 can comprise a compensator body 21422 and a plurality of capsules 21444 positioned therein. Similar to the

END6843WOPCT3

above, each capsule 21444 can comprise a sealed cavity 21446 which can be configured to releasably store one or medicaments therein. Each of the capsules 21444 can comprise a conical and/or tapered end 21447, for example. For example, the tapered ends 21447 can be utilized to hold the capsules 21444 in position while the cartridge body 21422 is being formed around it. According to the invention, a mold can include a plurality of apertures and/or indentations which can be configured to receive and secure the tapered ends 21447 such that, when the compensator material is poured around the capsules 21444, the mold can hold the capsules 21444 in position. Further to the above, the capsules 21444 can be positioned and arranged such that they may not be ruptured or burst until staples are fired into and/or through the tissue thickness compensator 21420 during use, for example.

[0827] Alternatively, referring now to FIG. 415, a tissue thickness compensator 21520 can comprise a plurality of capsules 21524 positioned within a compensator body 21522. The capsules 21524 can each comprise one or more apertures 21528 defined in the outer wall thereof wherein the apertures 21528 can be configured to permit one or medicaments 21525 to escape from the cavities 21526 defined in the capsules 21524. The apertures 21528 can be sized and configured to control the rate in which the medicaments 21525 escape from the cavities 21526. For instance, larger apertures 21528 can permit a faster release of the medicaments 21525 while smaller apertures 21528 can permit a slower release of the medicaments 21525, for example. The outer wall of each capsule 21524 can be comprised of a tube having ends 21527 which are closed and/or sealed. The outer walls of the capsules 21524 can be comprised of one or more bioabsorbable polymers, for example, and, the ends 21527 can be closed and/or sealed utilizing a heat-staking process, a thermal-welding process, and/or a laser welding process, for example. The outer walls, or shells, of the capsules 21524 can be manufactured utilizing an injection molding process wherein, after the shells have been formed, one or medicaments can be positioned into the shells through one or more open ends thereof. Thereafter, the open end, or ends, in the shell can be capped utilizing a polymer solution, for example. Where the walls of the capsules 21524 are comprised of a bioabsorbable material, the apertures 21528 defined therein can grow over time. For example, the rate in which the medicaments 21525 are released from the cavities 21526 can increase over time.

[0828] The compensator body 21522 can be comprised of gelatin, for example, and can be manufactured into a foam material utilizing a lyophilization process, for example. The capsules

END6843WOPCT3

21524 can be inserted into the compensator body 21522 wherein, for example, the compensator body 21522 can be formed with apertures configured to receive the capsules 21524. For example, a layer, or film, could then be placed over the compensator body 21522 to cap or enclose the capsules 21524 therein. The capsules 21524 can be positioned within a mold and a compensator material can be formed at least partially around the capsules 21524 to form the compensator body 21522. In any event, the compensator body 21522 can comprise one or more keying, or indexing, features which can be configured to align and orient the tissue thickness compensator 21520 with a cartridge body of staple cartridge such that the capsules 21524 are positioned in a desired position.

[0829] Referring now to FIG. 416, a surgical stapling system can include a staple cartridge 21600 and an anvil 21060, wherein the staple cartridge 21600 and the anvil 21060 can be positioned on opposite sides of tissue T. Similar to other staple cartridges disclosed herein, the staple cartridge 21600 can comprise a cartridge body 21310 including a plurality of staple cavities 21312 and a plurality of staples 21330 positioned therein. In use, referring to FIG. 420, the staples 21330 can be lifted upwardly by drivers 21340 from an unfired position to a fired position such that they are deformed against the anvil 21060 or, more particularly, deformed within the forming pockets 21062. As the staples 21330 are being fired, the staples 21330 can pierce the tissue T and a tissue thickness compensator 21620 attached to the anvil 21060 before the staples 21330 are deformed between their unfired configuration (FIG. 417) and their fired configuration (FIG. 418). The staples 21330 can be comprised of any suitable material such as stainless steel and/or titanium, for example, and can be configured to apply a compression or clamping force against the tissue thickness compensator 21620 and the tissue T. As illustrated in FIG. 416, the staples 21330 can be arranged in a plurality of rows wherein one staple 21330 can be positioned in each staple cavity 21312. The staple cartridge 21300 can further comprise piercing members 21635 (FIG. 419) which can be configured to engage and pierce the tissue T, the tissue thickness compensator 21620, and/or one or more medicament capsules positioned within the tissue thickness compensator 21620, for example. For example, the piercing members 21635 can be positioned within the staple cavities 21312 wherein the piercing members 21635 can be fired, or ejected, from the staple cavities 21312 by the drivers 21340. Further to the above, some staple cavities 21312 of the staple cartridge 21600 can include staples 21330 positioned therein while other staple cavities 21312 can include piercing members 21635 positioned therein. The

END6843WOPCT3

staple cartridge 21600 can include some rows of staple cavities 21312 having only staples 21330 positioned therein, some rows having only piercing members 21635 positioned therein, and/or some rows having both staples 21330 and piercing members 21635 positioned therein. As illustrated, referring to FIG. 420, the inner four rows of staple cavities 21312 may only comprise staples 21330 therein while the outer rows of staple cavities 21312 may comprise both staples 21330 and piercing members 21635 therein. The staples 21330 and the piercing members 21635 within the outer rows of staple cavities 21312 may be arranged in an alternating arrangement, for example. Referring now to FIG. 421, the staples 21330 and the piercing members 21635 may be arranged in a pattern which comprises two staples 21330, followed by a piercing member 21635, followed by two more staples 21330, followed by a piercing member 21635, and so forth, for example.

[0830] Referring primarily to FIG. 419, each piercing member 21635 can comprise a base 21638 and legs 21637 extending upwardly from opposite sides of the base 21638. Referring now to FIG. 420, the drivers 21340 can each comprise a trough 21348 which can be configured to receive and support the base 21638 of a piercing member 21635. When the drivers 21340 are pushed upwardly by the sled 21345, referring now to FIG. 421, the sled 21345 can sequentially fire the staples 21330 and the piercing members 21635. Referring now to FIG. 420, the staples 21330 may be deformed against the anvil 21060 while the piercing members 21635 may not touch the anvil 21060. Referring primarily to FIG. 419, one or both of the legs 21636 of each piercing member 21635 can include a sharp tip 21639 which can be configured to pierce the tissue T and/or the tissue thickness compensator 21620 and at least one barb 21637 which can be configured to retain the legs 21636 in the tissue T and/or the tissue thickness compensator 21620, for example. A tissue thickness compensator may not be used at all. The legs 21636 of the piercing members 21635 may not be long enough to pass all the way through the tissue T, let alone touch the anvil 21060. The legs 21636 may be long enough such that they can contact the anvil 21060 and can be deformed into a different configuration.

[0831] The piercing members 21635 can be comprised of a material that is different than the material comprising the staples 21330. The piercing members 21635 can be comprised of at least one bioabsorbable polymer, such as PGA, for example. The piercing members 21635 can each comprise at least one medicament, such as an anti-bacterial agent, an anti-inflammatory agent, pain medication, and/or a MMP inhibitor, for example. As the piercing members 21635 can be

END6843WOPCT3

located within the staple lines, for example, the piercing members 21635 can supply one or more medicaments to the tissue T within and/or adjacent to the staple line as the piercing members 21635 are being dissolved and/or bioabsorbed. The piercing members 21635 can be coated with one or more medicaments. The piercing members 21635 can comprise one or more medicaments embedded within a structural substrate comprising the piercing members 21635. Some piercing members 21635 can be comprised of a first structural substrate and/or a first medicament while other piercing members 21635 can be comprised of a second, or different, structural substrate and/or a second, or different, medicament, for example. The piercing members 21635 can be manufactured utilizing an injection molding process, for example.

[0832] Referring now to FIGS. 422 and 423, a staple cartridge 21700 can include a cartridge body 21710 and a tissue thickness compensator 21720 positioned on or adjacent to a deck surface 21711 of the cartridge body 21710. Similar to the above, the cartridge body 21710 can comprise a plurality of staples cavities 21312 and a plurality of staples positioned therein. The cartridge body 21710 can also include a slot 21714 which can be configured to receive a cutting member, such as cutting member 21380 (FIG. 424), for example, therein. In use, as illustrated in FIG. 424, the cutting member 21380 can be configured to transect the tissue T positioned between the anvil 21060 and the staple cartridge 21700. Referring again to FIGS. 422 and 423, the tissue thickness compensator 21720 can comprise a compensator body 21722 and a plurality of medicament packets, or capsules, 21724 positioned within the compensator body 21722. The capsules 21724 can be positioned and arranged in the compensator body 21722 such that the capsules 21724 overlie the slot 21714 defined in the cartridge body 21710. In use, referring primarily to FIG. 425, the cutting member 21380 can be configured to incise the capsules 21724 as the cutting member 21380 is advanced through the staple cartridge 21700. For example, the capsules 21724 can be sealed prior to being incised by the cutting member 21380 and, after the capsules 21724 have been incised, the one or more medicaments contained therein can be released. Owing to the position of the capsules 21724 over the slot 21714, the one or more medicaments can be released onto the portion of the tissue T which has been transected by the cutting member 21380. The one or more medicaments contained within the capsules 21724 can comprise a biologic agent in the form of a powder, for example. The one or more medicaments in the capsules 21724 can comprise oxidized regenerated cellulose, alginate, and/or calcium, for example.

END6843WOPCT3

[0833] Referring again to FIGS. 422 and 423, the capsules 21724 can comprise the same medicaments therein. Alternatively, one or more of the capsules 21724 can comprise one or more different medicaments therein. A first plurality of capsules 21724 can comprise a first medicament therein and a second plurality of capsules 21724 can comprise a second medicament therein. For example, the capsules 21724 can be arranged in an alternating arrangement along the longitudinal path of the cutting member 21380, for example, such that a capsule 21724 including the first medicament can be followed by a capsule 21724 including the second medicament which can be followed by a capsule 21724 including the first medicament, and so forth, for example. The cutting member 21380 can be configured to mix the first medicament and the second medicament together as the cutting member 21380 is advanced through the staple cartridge 21300. Referring again to FIGS. 422 and 423, the tissue thickness compensator 21720 can further comprise one or more channels 21726 extending outwardly from each capsule 21724. The channels 21726 can be configured to allow the medicaments within the capsules 21724 to migrate within the tissue thickness compensator 21720, and the tissue T positioned thereagainst, after the capsules 21724 have been severed. The capsules 21724 can be configured such that they do not burst when a compressive load is applied thereto by the anvil 21060. Referring primarily to FIGS. 422 and 425, the cartridge body 21710 can comprise a plurality of recesses 21715 which can each be configured to receive at least a portion of a capsule 21724 therein. For example, the recesses 21715 can be configured to permit the capsules 21724 to slide downwardly within the recesses 21715 when a compressive load is applied thereto such that the capsules 21724 may not burst. Alternatively, one or more of the capsules 21724 could be configured to burst only when a certain compressive force applied thereto is met or exceeded. For example, the capsules 21724 can be configured to withstand the clamping pressure applied by the anvil 21060 but may burst when the compressive pressure applied thereto increases as a result of the cutting member 21380 being advanced through the staple cartridge 21700, for example. The capsules 21724 can include a lubricant therein which can facilitate the movement of the cutting member 21380 as it is advanced and/or retracted within the staple cartridge 21700.

[0834] Referring now to FIG. 426, a tissue thickness compensator 21820 can comprise a compensator body 21822 and a longitudinal tube 21824 extending therethrough. Similar to the above, the tube 21824 can comprise a longitudinal cavity 21826 defined therein and one or more medicaments 21825 positioned within the cavity 21826. The longitudinal tube 21824 can further

END6843WOPCT3

include one or more support legs 21827 extending outwardly therefrom which can be configured to support the tube 21824. For example, referring now to FIG. 427, the support legs 21827 can support the tube 21824 within a mold 21890 while the compensator body 21822 is formed around the tube 21824. Referring now to FIGS. 428 and 429, the material comprising the compensator body 21822, such as PGA and/or PCL, for example, can be poured around the tube 21824 and then lyophilized, foamed, and/or solidified, for example. Referring again to FIG. 427, the material comprising the compensator body 21822 can be poured into a cavity 21891 surrounding the tube 21824 wherein the cavity 21891 can then be closed by a cover 21892. Referring to FIG. 426, the ends of the support legs 21827 may not be covered by the poured material and may be flush with the bottom surface 21821 of the compensator body 21822. The support legs 21827 and/or the tube 21824 can be comprised of a dissolvable and/or bioabsorbable material, such as gelatin, hyaluronic acid, PDS, and/or ORC, for example. The legs 21827 can be rapidly dissolved by bodily fluids and/or a saline solution, for example, wherein channels or passages can be left behind that extend between the outer perimeter and the interior of the tissue thickness compensator 21820. Such passages can be created to permit the one or more medicaments 21825 positioned within the tube 21824 to be rapidly dissolved and/or absorbed. Alternatively, tissue thickness compensator 21920, for example, can comprise a compensator body 21922 and a tube 21924 including a plurality of support legs 21927, as illustrated in FIG. 430. Referring to FIG. 431, the support legs 21927 can be part of a larger support network or structural lattice 21928 that can extend through the compensator body 21922. [0835] Referring again to FIG. 426, the legs 21827 extending from the tube 21824 can also include one or more medicaments therein. When the legs 21827 are dissolved and/or absorbed, as described above, the one or more medicaments in the legs 21827 can provide a first medicated response to stapled and/or incised tissue while the one or more medicaments 21825 in the tube 21824 can provide a second, or subsequent, medicated response,. Referring now to FIGS. 432 and 434, a tissue thickness compensator 22020 can comprise a compensator body 22022 and a longitudinal medicament tube 22024 extending through the compensator body 22022. Similar to the above, the tube 22024 can define a longitudinal cavity 22026a including one or more medicaments 22025a positioned therein. Also similar to the above, the tube 22024 can include a plurality of longitudinal leg supports 22027 that can extend along the length of the tube 22024. Optionally, each of the leg supports 22027 can define a longitudinal cavity, such as cavities

END6843WOPCT3

22026b and 22026c, for example, therein which can each include one or more medicaments, such as medicaments 22025b and 22025c, for example, therein. The leg supports 22027 can be comprised of a material which can be quickly dissolved and/or absorbed such that the medicaments 22025b and 22025c can be quickly released. Thereafter, the support legs 22027 and the tube 22024 can be further dissolved and/or absorbed such that the medicament 22025a can be subsequently released. The medicaments 22025a, 22025b, and/or 22025c can be comprised of the same material. Alternatively, the medicaments 22025a, 22025b, and/or 22025c can be comprised of different materials. The medicaments 22025b and 22025c can be comprised of the same material, or materials, which can be different than the material, or materials, comprising medicament 22025a.

[0836] Further to the above, the tube 22024, the legs 22027, and/or the cavities 22026a-22026c defined therein can be manufactured utilizing an injection molding process. The tube 22024, the legs 22027, and/or the cavities 22026a-22026c can be manufactured utilizing an extrusion process, for example, wherein, as a result, such features can comprise a continuous cross-section along the length thereof. As a result of such processes, the tubes 22024 and the legs 22027 can be integrally formed. Thereafter, the medicaments 22025a-22025c can be positioned within the cavities 22026a-22026c, respectively. The medicaments 22025a-22025c can each be comprised of one or more powders and/or one or more fluids, for example. Referring now to FIG. 435, the ends 22029 of the cavities 22026a-22026c can be sealed in order to contain the medicaments 22025a-22025c therein. In any event, the tube 22024 can then be positioned within a mold, such as the mold 21890 described above, for example, wherein the material comprising the compensator body 22022 can be poured around the tube 22024, as illustrated in FIG. 433, to form the tissue thickness compensator 22020. Various alternatives are illustrated in FIGS. 436 and 437. Referring to FIG. 436, a tissue thickness compensator 22120 can comprise a compensator body 22122 and a plurality of longitudinal tubes 22124 which are connected together. Each of the tubes 22124 can define a longitudinal cavity 22126 therein which can each include one or more medicaments 22125 therein. The longitudinal cavities 22126 may not be in fluid communication with each other or one or more of the longitudinal cavities 22126 can be in fluid communication with each other. Similar to the above, the compensator 22120 can further comprise legs 22127 that extend downwardly from the tubes 22124 and can each include a longitudinal cavity 22126 and at least one medicament 22125 therein. The tubes 22124 and/or

END6843WOPCT3

the support legs 22127 can be comprised of materials which can be configured to dissolve and/or bioabsorb at different rates. For example, the support legs 22127 can be comprised of a material which can be dissolved and/or bioabsorbed at a faster rate than the material comprising the tubes 22124, for example. Referring now to FIG. 437, a tissue thickness compensator 22220 can comprise a compensator body 22222 and a longitudinal tube 22224 wherein the tube 22224 can include a plurality of support legs 22227 extending therefrom. A single longitudinal cavity 22226 can be defined within the tube 22224 and can extend into the support legs 22227. Similar to the above, the cavity 22226 can include one or more medicaments 22225 positioned therein.

[0837] Referring again to FIG. 426, the support legs 21827 can be comprised of one or materials which can be configured to adsorb a fluid, such as blood and/or a saline solution, for example.

The support legs 21827 can be configured to wick the fluid toward the tube 21824 and the one or more medicaments 21825 contained therein. Such wicking can allow the medicaments 21825 to dissolve and/or bioabsorb earlier in the healing process. The ends of the support legs 21827 may not be covered by the compensator body 21822 and may be exposed to the fluid. This wicking process can occur by capillary action and can occur regardless of the orientation of the tissue thickness compensator 21820, for example.

[0838] Referring now to FIG. 441, a tissue thickness compensator 22320 can comprise a compensator body 22322 and a plurality of tubes 22324 positioned therein. The compensator body 22322 can be comprised of a regenerative tissue scaffold foam, such as an acellular omentum biomatrix, Omentum Scaffold Material, and/or ACell, for example. The Omentum Scaffold Material can comprise a hydrophilic foam produced from skeletonized omentum and, in some cases, can be compressible. When exposed to a fluid, the Omentum Scaffold Material can expand and apply pressure to the tissue positioned thereagainst. Such hydrophilic expansion of a material including Omentum Scaffold Material is depicted in FIGS. 349 and 350, for example. ACell is a regenerative product that provides an extracellular matrix or scaffolding network to encourage cellular proliferation and migration. The tissue scaffold comprising the compensator body 22322 can be loaded with stem cells, PRP, or growth factors, for example. The tissue scaffold comprising the compensator body 22322 can be coated in a collagen matrix, for example. The tissue scaffold matrix of the compensator body 22322 can be comprised of a fiber matrix and, the fiber matrix can be comprised of randomly-oriented fibers. In some circumstances, a fiber matrix comprised of randomly-oriented fibers may not be able to provide a

END6843WOPCT3

desired elasticity or resiliency within the compensator body 22322. To account for this, the randomly-oriented fibers can be comprised of a hydrophilic material and/or can be coated with a hydrophilic material which, after being exposed to a liquid, can be configured to expand and provide a desired resiliency to the fiber matrix and/or a desired compression force to the tissue. In various circumstances, the fiber matrix may not be exposed to a liquid until after it has been captured against tissue by a plurality of staples, as described above. For example, the compensator body 22322 can comprise a liquid-impermeable wrap which can be broken, punctured, incised, and/or torn, for example, in use to allow the liquid to enter into the compensator body 22322 and access the hydrophilic fibers. In any event, when the liquid is absorbed by the scaffold matrix captured within the staples, the scaffold matrix can expand to apply a compressive pressure to the tissue also captured within the staples and, over time, accommodate tissue ingrowth into the scaffold matrix.

[0839] Further to the above, the tubes 22324 of the tissue thickness compensator 22320 can be comprised of a degradable material which can be configured to dissolve and/or bioabsorb. Similar to the above, each tube 22324 can include a sealed inner cavity having one or more medicaments contained therein and, in addition, one or more support legs 22327 which can be configured to degrade and provide a channel or flow path for liquids to reach the medicament stored within the tube 22324. Such degradation of the support legs 22327 may take time and, as a result, the medicament contained within the tubes 22324 may not be immediately released. In a sense, a period of time may be required for a fluid to degrade the legs 22327 wherein, as a result, the legs 22327 can serve as a fuse designed to delay the release of the medicament within the tubes 22324. Thus, in various circumstances, legs 22327 having longer lengths and/or thicker cross-sections may provide a longer delay while legs 22327 having shorter lengths and/or thinner cross-sections may provide a shorter delay. The tubes 22324 can be comprised of a material which dissolves quickly and/or slowly; however, in either event, the degradation of the tubes 22324 can occur over a period of time which can delay the release of the one or more medicaments contained within the tubes 22324. According to the invention, a first tube 22324 can be comprised of a first material which degrades at a first rate and a second tube 22324 can be comprised of a second material which degrades at a second, or different, rate. In such cases, a first medicament contained within the first tube 22324 can be released before a second medicament contained within the second tube 22324, for example. A first tube 22324 can have a

END6843WOPCT3

thinner outer wall than a second tube 22324 which can allow the first tube 22324 to degrade faster than the second tube 22324 and allow a medicament contained within the first tube 22334 to be released before a medicament in the second tube 22324, for example. As a result of the above a first tube 22324 can be configured to release a first medicament at a first point in time, a second tube 22324 can be configured to release a second medicament at a second, or later, point in time, and a third tube 22324 can be configured to release a third medicament at a third, or even later, point in time, for example.

[0840] Referring now to FIGS. 442 and 443, a tissue thickness compensator 22420 can comprise a compensator body 22422 and a sealed vessel 22424 positioned within the compensator body 22422. Similar to the above, the vessel 22424 can define a longitudinal cavity 22426 and one or more medicaments 22425 positioned within the longitudinal cavity 22426. The vessel 22424 can be resilient such that, when the tissue thickness compensator 22420 is compressed, or flattened, as illustrated in FIG. 443, the vessel 22424 can seek to spring back or retain its original, undeformed shape. For example, the vessel 22424 can comprise an elastic spring member positioned within the compensator body 22422. The vessel 22424 can be configured to change shape without rupturing. For example, the vessel 22424 can degrade when exposed to a liquid, for example, as described herein.

[0841] Referring now to FIG. 444, a tissue thickness compensator 22520 can comprise a compensator body 22522 and a plurality of sealed vessels 22524a-22524c. Each of the vessels 22524a-22524c can define an outer perimeter which is configured to increase, maximize, and/or optimize the surface area of the vessel that comes into contact with a liquid, such as blood and/or a saline solution, for example. In various circumstances, vessels having a larger surface area may be exposed to a larger quantity of liquid and, as a result, can be dissolved and/or bioabsorbed at a faster rate. Correspondingly, vessels having a smaller surface area may be exposed to a smaller quantity of liquid and, as a result, can be dissolved and/or bioabsorbed at a slower rate. The vessels 22524a-22524c can be comprised of gelatin, hyaluronic acid, PDS, and/or ORC, for example. Similar to the above, the vessels 22524a-22524c can be resilient and can provide a spring-back or elastic biasing force. Referring now to FIG. 445, a tissue thickness compensator 22620 can comprise a compensator body 22622 and a plurality of resilient laminate members 22624 positioned within the compensator body 22622. Each of the laminate members 22624 can comprise a sealed inner channel including one or more medicaments positioned therein.

END6843WOPCT3

[0842] Referring now to FIG. 446, an end effector of a surgical stapling instrument can comprise an anvil 21060 and a staple cartridge 22700. The anvil 21060 can comprise a tissue thickness compensator 22770 attached thereto and the staple cartridge 22700 can comprise a cartridge body 22710 and a tissue thickness compensator 22720. Referring now to FIG. 447, the tissue thickness compensator 22770 can comprise a plurality of layers wherein, the tissue thickness compensator 22720 can comprise a first layer 22771 and a second layer 22772, although alternatives are envisioned in which a tissue thickness compensator can comprise more than two layers. Optionally, one or more of the layers of the tissue thickness compensator can comprise a woven material. The first layer 22771 can be comprised of a plurality of first threads 22773 comprised of a first material and a plurality of second threads 22774 comprised of a second, or different, material. Similarly, the second layer 22772 can be comprised of a plurality of first threads 22773 and a plurality of second threads 22774. The concentrations of the first threads 22773 and the second threads 22774 in the first layer 22771 can be the same as the concentrations of the first threads 22773 and the second threads 22774 in the second layer 22772. The concentrations of the first threads 22773 and the second threads 22774 in the first layer 22771 can be different than the concentrations of the first threads 22773 and the second threads 22774 in the second layer 22772, as discussed in greater detail below.

[0843] Further to the above, the first threads 22773 can be comprised of bioabsorbable polymer, such as PGA, PDS, PCL, and/or PLA, for example, and the second threads 22774 can be comprised of oxidized regenerated cellulose (ORC), for example. The first layer 22771 can comprise an outer layer of the tissue thickness compensator 22770 and can include a tissue contacting surface. The first layer 22771 can comprise more first threads 22773 than second threads 22774. For example, the first layer 22771 can comprise a ratio of approximately 80% first threads 22773 to approximately 20% second threads 22774, for example. The first layer 22771 can comprise a ratio of approximately 60% first threads 22773 to approximately 40% second threads 22774, a ratio of approximately 67% first threads 22773 to approximately 33% second threads 22774, a ratio of approximately 70% first threads 22773 to approximately 30% second threads 22774, a ratio of approximately 75% first threads 22773 to approximately 25% second threads 22774, and/or a ratio of approximately 90% first threads 22773 to approximately 10% second threads 22774, for example.

END6843WOPCT3

[0844] Further to the above, the first threads 22773 can be comprised of a material which dissolves, bioabsorbs, and/or changes state at a slower rate than the material comprising the second threads 22774. For example, the second threads 22774 can be comprised of ORC threads which can change from a solid to a gel when they are exposed to a liquid, for example, and, the ORC threads can react and change from a solid to a gel when they are exposed to platelets, for example. In such cases, however, the first layer 22773 can be mostly comprised of bioabsorbable polymer threads which can react to liquids much slower than the ORC threads and, thus, the first layer 22773 can come into contact with tissue or bodily fluids on multiple occasions without losing its overall shape and structure. That said, the ORC fibers in the first layer 22773 can react when they first come into contact with a liquid and/or tissue; however, the ORC gel can be at least partially or mostly retained within the first layer 22773.

[0845] The second layer 22772 can comprise an inner layer of the tissue thickness compensator 22770 and may not include a direct tissue contacting surface. The second layer 22772 can comprise less first threads 22773 than second threads 22774. For example, the second layer 22772 can comprise a ratio of approximately 20% first threads 22773 to approximately 80% second threads 22774, for example. The second layer 22772 can comprise a ratio of approximately 40% first threads 22773 to approximately 60% second threads 22774, a ratio of approximately 33% first threads 22773 to approximately 67% second threads 22774, a ratio of approximately 30% first threads 22773 to approximately 70% second threads 22774, a ratio of approximately 25% first threads 22773 to approximately 75% second threads 22774, and/or a ratio of approximately 10% first threads 22773 to approximately 90% second threads 22774, for example.

[0846] Further to the above, the second layer 22772 can comprise more ORC threads than bioabsorbable polymer threads, for example. The second layer 22772 can comprise more ORC threads than the first layer 22771. As the second layer 22772 is not an outer layer, liquids may not immediately contact the second layer 22772 as they would have to first pass through the first layer 22771 before contacting the second layer 22772. In such cases, the second layer 22772 can comprise a higher density of ORC threads as the ORC threads in the second, protected, layer 22772 would not immediately turn into a gel. Even if the ORC threads in the second layer 22772 were to come into contact with a liquid and turn into a gel, the ORC gel could be contained in the tissue thickness compensator 22770 by the first layer 22771 which, as described above, can

END6843WOPCT3

maintain its general shape, at least initially, and provide a support mesh to the second layer 22772. While ORC fibers and bioabsorbable fibers can be utilized Optionally, other suitable materials could be utilized.

[0847] Further to the above, referring now to FIGS.450-452, the tissue thickness compensator 22770 can be positioned intermediate an anvil 21060 and tissue T, wherein the tissue thickness compensator 22770 can be compressed against the tissue T before staples 21330 are fired from the staple cartridge 22700. After the staples 21330 have been fired to capture the tissue T and the tissue thickness compensators 22720 and 22770 therein, the anvil 21060 and the cartridge body 22710 of the staple cartridge 22700 can be moved away from the compensators 22720, 22770 and the tissue T and removed from the surgical site. Referring now to FIG. 448, a layer 22871 of a tissue thickness compensator can comprise woven threads 22873 which can include an elongate, or flattened, cross-section, for example. Referring now to FIG. 449, a layer 22971 of a tissue thickness compensator can comprise woven threads 22973 which can include a round cross-section, for example.

[0848] Various alternatives are illustrated in FIGS. 453-456. Referring now to FIG. 454, an end effector of a surgical stapling instrument can include an anvil 21060 and a tissue thickness compensator 22770' positioned thereon. Referring to FIG. 453, the tissue thickness compensator 22770' can comprise a layer 22771' which can include a plurality of first fibers 22773' woven with a plurality of second fibers 22774'. For example, the first fibers 22773' can be configured to dissolve and/or bioabsorb at a faster rate than the second fibers 22774'. Gaps, openings, and/or pockets can be defined between the first fibers 22773' and the second fibers 22774' which can permit liquids to flow through the layer 22771'. Referring now to FIG. 456, an end effector of a surgical stapling instrument can include a tissue thickness compensator 22770'' attached to an anvil 21060. Referring to FIG. 455, the tissue thickness compensator 22770'' can comprise a woven layer of threads 22771'' which can be embedded and/or encased within a substrate 22772''. The threads 22771'' can be exposed while, alternatively, at least a portion of the substrate 22772'' may have to be dissolved and/or bioabsorbed before the threads 22771'' are exposed. For example, the material comprising the substrate 22772'' may fill within any gaps, openings, or pockets defined between the threads 22771''.

[0849] Referring now to FIG. 461, a staple cartridge 23000 can include a tissue thickness compensator 23020. As discussed herein, a tissue thickness compensator can be manufactured

END6843WOPCT3

utilizing a lypholization process, for example. A solution comprising PGA and/or PCL, for example, can be poured into a mold wherein the solution can be permitted to grow into an open cell foam in the presence of a vacuum atmosphere and/or reduced temperature, for example. For example, the PGA material can be present in the solution according to an approximately 64/36 ratio by weight with respect to the PLA material, for example. Referring to FIG. 457, fibers and/or filaments 23021, for example, can be mixed into the solution. PGA fibers, for example, can be dispersed within the solution before it is poured into the mold such that the PGA fibers can be evenly, or at least substantially evenly, distributed throughout the tissue thickness compensator 23020, for example. In other circumstances, the PGA fibers can be placed in the solution, and/or directly into the mold, for example, such that the PGA fibers can precipitate or settle toward the bottom of the mold, for example. In other circumstances, the PGA fibers could be configured to float to the top of the solution. In any event, a solvent, such as dioxane solvent, for example, can be present in the solution which can assist in the lypholization process. The dioxane solvent may not react, or at least substantially react, with the PGA fibers within the solution.

[0850] Further to the above, the fibers 23021 can be coated with one or more medicaments before they are mixed into and/or with the solution. Referring to FIG. 459, each fiber 23021 can comprise a substrate 23022 which can be at least partially coated with a coating 23023 utilizing any suitable manufacturing process. Referring to FIG. 458 the fibers 23021 can be manufactured utilizing an extruding process in which at least one drug coating is placed on a PGA substrate, for example. These may be particularly useful for drugs that can withstand the elevated temperature of an extruding process. Referring to FIG. 460, the fibers 23021 can be coated and/or impregnated with a drug utilizing a carrier fluid, such as supercritical carbon dioxide, for example. In any event, the drug-coated fibers 23021 can be mixed with the solution such that the fibers 23021 become embedded within the tissue thickness compensator 23020. In various circumstances, as a result, the coatings of the fibers 23021 may begin to dissolve and elude the one or more medicaments contained therein. The fibers 23021 positioned closer to the perimeter of the tissue thickness compensator 23020 may begin to dissolve before the fibers 23021 positioned closer to the interior of the tissue thickness compensator 23020. In such cases, the dissolved fibers 23021 may leave behind a plurality, or network, of cavities within the tissue thickness compensator 23020 wherein, such cavities can permit cellular or tissue ingrowth within

END6843WOPCT3

the tissue thickness compensator 23020. A tissue thickness compensator can comprise a plurality of first fibers which can dissolve at a faster than a plurality of second fibers. For example, the first fibers can comprise PGA fibers, for example, which have been gamma irradiated.

Optionally, gamma irradiated PGA fibers can dissolve faster than non-gamma irradiated PGA fibers, for example.

[0851] Optionally, one or more colorants can be added to the solution described above such that the tissue thickness compensator produced from the solution can have a suitable color. It may be desirable for the tissue thickness compensator to have a color which contrasts with its surrounding environment. For example, the tissue thickness compensator can be green and/or blue, for example.

[0852] Referring now to FIGS. 462 and 464, a tissue thickness compensator 23120 can comprise a compensator body 23122 and a plurality of medicament particles 23121 distributed throughout the compensator body 23122. The compensator body 23122 can be comprised of a hydrophobic material. For example, the compensator body 23122 can be comprised of a material including PCL/PGA, for example, wherein the PCL and PGA can be present in the material according to a 65/35 ratio by weight. Referring now to FIG. 463, the medicament particles 23121 can comprise one or more drugs 23123, such as doxycycline, percarbonate, and/or ascorbic acid phosphate, for example, which can be encapsulated by and/or incorporated within a casing or shell 23124 comprised of a hydrophilic material, for example. The shell 23124 can be comprised of low molecular weight gelatin, hyaluronic acid, and/or CMC, for example. The medicament 23121 can be manufactured as micro-particles which can be distributed within a solution and poured into a mold where the solution can be subsequently lyophilized, for example, as described above. Once the tissue thickness compensator 23120 has been exposed to a liquid, in use, a fluid 23129 (FIG. 465) can enter into the compensator body 23122 and dissolve and/or absorb the hydrophilic shell 23124 of the medicament particles 23121, for example. Referring now to FIG. 468, a tissue thickness compensator 23220 can comprise a first layer 23222 and a second, or outer, layer 23224 which, for example, can comprise a plurality of coated drug particles 23221 dispersed therein. Similar to the above, the particles 23221 can be dissolved and/or absorbed from the second layer 23224 and can leave behind openings or capillary paths 23225, for example, within the second layer 23224, for example. Referring now to FIG. 469, a tissue

END6843WOPCT3

thickness compensator 23320 can comprise a compensator body 23322 comprising a plurality of medicament particles 23121 and a plurality of fibers 23021 distributed therein, for example.

[0853] Referring now to FIGS. 470 and 471, a staple cartridge 23400 can include a cartridge body 23410 and a tissue thickness compensator 23420 positioned thereon, for example. The tissue thickness compensator 23420 can comprise a plurality of capsules 23421 positioned within the compensator body 23422. The capsules 23421 can be manufactured utilizing an emulsion, or spin disk, process, for example, and, the capsules 23421 can comprise microspheres of solid and/or liquid biometrics, for example. The capsules 23421 can include one or more adhesives which, when released from the capsules 23421, can help secure tissue sealing. The capsules 23421 can include haemostatic agents, for example. In any event, the capsules 23421 can be distributed within the compensator body 23422 in any suitable manner. Referring now to FIG. 472, the capsules 23421 can be placed in a mold cavity 21891 defined in a mold 21890, for example, wherein the capsules 23421 can settle to the bottom 21893 of the mold 21890.

Referring to FIG. 473, the mold 21890 can be vibrated such that the capsules 23421 can form an even, or an at least substantially even, layer on the bottom 21893. Referring now to FIG. 474, the material comprising the compensator body 23422 can be poured into the mold cavity 21891 with the capsules 23421. The capsules 23421 can be denser than the compensator body material and, as a result, the capsules 23421 may remain at the bottom 21893 of the mold 21890 as illustrated in FIG. 475. For example, referring to FIG. 477, the bottom 21893 of the mold 21890 can include a plurality of recesses, depressions, and/or dimples 21899 which can be configured to receive the capsules 23421. Alternatively, referring to FIG. 476, the capsules 23421 can be less dense than the compensator body material and may float to the top of the mold 21890.

Optionally, as described in greater detail further below, the density of the capsules 23421 can be selected such that the capsules 23421 can float throughout the compensator body material.

[0854] After the mixture comprising the capsules 23421 and the compensator body material has been suitably poured into the mold 21890, the mixture can undergo a lyophilization process, for example, to form the tissue thickness compensator 23420. For example, the capsules 23421 can be secured or freeze-dried into position within the compensator body 23422. Thereafter, referring again to FIG. 470, the tissue thickness compensator 23420 can be removed from the mold 21890 and then assembled to the cartridge body 23410 of the staple cartridge 23400. As illustrated in FIG. 470, the tissue thickness compensator 23420 can be positioned and arranged such that

END6843WOPCT3

capsules 23421 can define, or are positioned adjacent to, a tissue-contacting surface, or skin, 23425 of the tissue thickness compensator 23420. The capsules 23421 can be at least partially comprised of a hydrophilic material, for example, which can be quickly dissolved and/or bioabsorbed after the tissue thickness compensator 23420 has been positioned against tissue, for example. Each of the capsules 23421 can be comprised of multiple layers of materials which can be dissolved and/or bioabsorbed over time. For example, an outer layer of a capsule 23421 can comprise a first medicament which can be dissolved and/or bioabsorbed to expose a second, or inner, layer comprising a second medicament which can then be dissolved and/or bioabsorbed, for example. Some of the capsules 23421 can be positioned such that they are incised by a cutting member, described elsewhere herein, as the cutting member is progressed distally to incise the tissue and/or the tissue thickness compensator 23420. The capsules 23421 can decrease the density of the tissue thickness compensator 23420 which can reduce the force or energy needed to advance the cutting member through the tissue thickness compensator 23420, for example.

[0855] As discussed above, the tissue thickness compensator 23420 can comprise capsules 23421 positioned on one or more sides, or skins, on the compensator body 23422. As also discussed above, the tissue thickness compensator 23420 can comprise capsules 23421 dispersed throughout the compensator body 23422. For example, the capsules 23421 can have the same density of the compensator body material such that the capsules 23421 can float within the compensator body material. The capsules 23421 can be dispersed, or homogenized, throughout the compensator body material wherein the mixture can then be cooled before the capsules 23421 settle, or at least substantially settle, to the bottom of the mold.

[0856] Referring now to FIG. 478, a tissue thickness compensator 23520 can comprise a shell 23522 and a plurality of movable elements 23524 positioned within the shell 23522. The shell 23522 can define an enclosed and/or sealed space, such as cavity 23523, for example, within which the movable elements 23524 can move. The movable elements 23524 can be spherical in shape, for example, and can be configured to slide and/or roll, for example, relative to each other. The tissue thickness compensator 23520 can be positioned over a cartridge body 21310 of a staple cartridge wherein staples 21330 can be fired from the staple cartridge and through the tissue thickness compensator 23520, as illustrated in FIG. 479. In various circumstances, the movable elements 23524 can be configured to move to the sides of the staples 21330 being fired

END6843WOPCT3

through the tissue thickness compensator 23520 such that the elements 23524 may not be ruptured during the firing process. For example, the shell 23522 can be comprised of a resilient material which can be configured to flex and/or shift in order to accommodate the movement of the movable elements 23524 and dynamically redistribute the forces generated within. The shell 23522 can enclose a medium. For example, the medium can comprise one or more powders, liquids, gasses, fluids, and/or gels, for example, within which the movable elements 23524 can move. The movable elements 23524 can be comprised of a dissolvable and/or bioabsorbable material, for example, and one or more medicaments contained therein. For example, such an arrangement can be configured to provide a delayed and/or sustained release of the one or more medicaments. Alternatively, although not illustrated, the tissue thickness compensator 23520 can be positioned between the tissue T and an anvil 21060, for example. In any event, the tissue thickness compensator 23520 can comprise an enclosed “bean bag” arrangement. The shell 23522 can be configured such that it does not rupture, or at least substantially rupture, until a cutting member, such as cutting member 21380, for example, is passed therethrough. At such point, one or more of the movable elements 23524 could escape from the shell 23522.

[0857] Referring now to FIG. 482, a tissue thickness compensator 23620 can comprise a compensator body 23622 and a plurality of capsules 23624 at least partially contained therein. Referring now to FIG. 480, a mold 23690 can be utilized to manufacture the tissue thickness compensator 23620. For example, a plurality of spherical capsules 23624 can be positioned within a cavity 23691 defined in the mold 23690 wherein the lateral movement of the capsules 23624 within the mold 23690 can be arrested or stopped by lateral sidewalls 23694 of the mold 23690 and lateral stops 23693 extending between the lateral sidewalls 23694, for example. The lateral sidewalls 23694 and the lateral stops 23693 can define a plurality of pockets within which the capsules 23624 can be positioned and contained. The capsules 23624 can be configured to rest on the bottom surface 23699 of the mold 23690. Alternatively, referring to FIGS. 480 and 481, the mold 23690 can further comprise one or more longitudinal supports 23692 which can be configured to suspend the capsules 23624 such that they are not in contact with the bottom surface 23699 of the mold 23690. For example, the longitudinal supports 23692 can be positioned on the bottom surface 23699 while, alternatively, referring to FIG. 481, the longitudinal supports 23692 can be positioned on the lateral supports 23693.

END6843WOPCT3

[0858] Referring again to FIGS. 480 and 481, a material comprising the compensator body 23622 can be poured into the cavity 23691 of the mold 23690 such that the capsules 23624 are at least substantially surrounded by the material. Referring primarily to FIG. 482, portions of the capsules 23624 can protrude from the compensator body 23622 of a tissue thickness compensator 23620. The lateral supports 23693 and/or the longitudinal supports 23692 can be withdrawn from the mold 23691 during and/or after the compensator body 23622 has undergone a lypholization process, for example. At such point, the capsules 23624 can be suspended within the compensator body 23622 without structural supports. Alternatively, the lateral supports 23693 and/or the longitudinal supports 23692 can remain in the compensator body 23622. For example, the lateral supports 23693 and/or the longitudinal supports 23692 can be comprised of a bioabsorbable material, for example. The supports 23692 and/or the supports 23693 can comprise elastic members positioned within the compensator body 23622 which can increase the resiliency of the compensator body 23622, for example.

[0859] Referring now to FIG. 486, a tissue thickness compensator 23720 can comprise a compensator body having first and second portions, 23722a and 23722b, and at least one capsule 23724 positioned therebetween. The tissue thickness compensator 23720 can be manufactured utilizing mold 21890, for example. Referring now to FIG. 483, a first material can be poured into the mold 21890 to form the first portion 23722a of the compensator body. Thereafter, referring to FIG. 484, the capsule 23724 can be positioned on the first portion 23722a. The capsule 23724 can be positioned on the first portion 23722a after a period of time and/or after the first material has undergone a lypholization process, for example. Referring now to FIG. 485, a second material can be poured into the mold 21890 to form the second portion 23722b of the compensator body. After a period of time and/or after the second material has undergone a lypholization process, for example, the tissue thickness compensator 23720 can be removed from the mold 21890 and used in connection with a staple cartridge 23700 as illustrated in FIG. 487, for example. The second material can be different than the first material while, alternatively, the second material can be the same as the first material. In either event, the first material and/or the second material can be comprised of a bioabsorbable material and the capsule 23724 can be comprised of at least one medicament, for example.

[0860] Referring now to FIG. 491, a staple cartridge 23800 can comprise a tissue thickness compensator 23820 which can include a compensator body 23822 and a longitudinal capsule

END6843WOPCT3

23824 positioned therein. Referring now to FIGS. 488 and 489, a longitudinal aperture 23821 can be formed in the compensator body 23822 by any suitable process such as by a mechanical drilling process and/or a laser drilling process, for example. Once the longitudinal aperture 23821 has been formed, a longitudinal capsule 23824 can be positioned within the longitudinal aperture 23821, as illustrated in FIG. 490. Referring now to FIG. 495, a staple cartridge 23900 can comprise a tissue thickness compensator 23920 which can include a compensator body 23922 and a plurality of transverse capsules 23924 positioned therein. Referring now to FIGS. 492 and 493, transverse apertures 23921 can be formed in the compensator body 23922 by any suitable process such as by a mechanical drilling process and/or a laser drilling process, for example. Once the transverse apertures 23921 have been formed, a plurality of transverse capsules 23924 can be positioned within the transverse apertures 23921, as illustrated in FIG. 494.

[0861] FIGS. 496-500 illustrate an alternative method for manufacturing the tissue thickness compensator 23820 utilizing a vertical mold 24090. Referring primarily to FIG. 496, the mold 24090 can include a cavity 24091 defined by sidewalls 24092 and a bottom end wall 24093. Referring to FIG. 497, the end wall 24093 can comprise an aperture 24094 which can be configured to receive an end of the longitudinal capsule 23824 and hold the capsule 23824 in an upright position, as illustrated in FIG. 498. Thereafter, referring now to FIG. 499, the open side of the cavity 24091 can be closed and/or sealed by a cover 24095 such that the material comprising the compensator body 23822 can be poured into the cavity 24091 through an open end of the mold 24090. After the material comprising the compensator body has solidified, cured, and/or lyophilized, for example, the tissue thickness compensator 23820 can be removed from the mold 24090.

[0862] Referring now to FIG. 501, a staple cartridge 24100 can comprise a cartridge body 24110, a tissue thickness compensator mat 24170 positioned against a deck surface 24111 of the cartridge body 24110, and a tissue thickness compensator 24120 positioned on top of the tissue thickness compensator mat 24170. The tissue thickness compensator 24120 and the tissue thickness compensator mat 24170, together or independently, can compensate for variations in the thickness of the tissue captured within staples, such as staples 21330 (FIG. 504), for example, fired from the staple cartridge 24100. Referring primarily to FIGS. 501 and 502, the compensator mat 24170 can comprise a bottom surface 24171 configured to abut the deck surface 24111 and,

END6843WOPCT3

in addition, an attachment flange or rail 24174 extending from the bottom surface 24171 which can be configured to be securely received within a knife slot 24114 defined in the cartridge body 24110. The compensator mat 24170 can further comprise a plurality of packets 24172 which can extend transversely across the compensator mat 24170. For example, each of the packets 24172 can be defined along a transverse axis which is transverse to and/or perpendicular to a longitudinal axis defined by the knife slot 24114, as illustrated in FIG. 505. The compensator mat 24170 can comprise a plurality of layers between which the packets 24172 can be defined. For example, the layers can be comprised of PDS and/or collagen, for example. Each packet 24172 can be configured to store one or more medicaments therein such as doxycycline, a coagulant, and/or an anti-microbial material, for example.

[0863] Referring again to FIG. 504, the tissue thickness compensator mat 24170 can be positioned relative to the cartridge body 24110 such that the packets 24172 overlie the staple cavities 21312 defined in the cartridge body 24110. More particularly, each packet 24172 can be positioned and arranged such that it extends between the staples legs 21332 of a staple 21330. The compensator mat 24170 can comprise a plurality of apertures and/or throughholes which can be configured to receive the ends of the staples 21330, for example. These throughholes can be positioned adjacent to the packets 24172, for example. As the staples 21330 are moved from an unfired position to a fired position, as illustrated in FIG. 504, the staples 21330 can be configured to capture the packets 24172 therein. For example, the staples 21330 and the packets 24172 can be configured and arranged such that the packets 24172 are not punctured or ruptured while the staples 21330 are being fired. In such cases, the packets 24172 can provide a resilient or compressive pressure to the tissue T captured within the staples 21330 and can consume gaps between the tissue T and the staples 21330, for example. Referring again to FIG. 505, the packets 24172 can be incised by the cutting member 21380 as the cutting member 21380 is advanced through the knife slot 24114 defined in the cartridge body 24110, the tissue T, and/or the compensator mat 24170. The reader will note that the tissue thickness compensator 24120 is not depicted in FIGS. 504 and 505. Various embodiments are envisioned in which the staple cartridge 24100 includes the tissue thickness compensator mat 24170 and not the tissue thickness compensator 24120 while, alternatively, referring now to FIG. 506, the staple cartridge 24100 can include both the tissue thickness compensator mat 24170 and the tissue thickness compensator 24120, for example.

END6843WOPCT3

[0864] An alternative embodiment of a staple cartridge is illustrated in FIG. 507. According to the invention, a circular staple cartridge 24200 can comprise a circular cartridge body 24210 including a plurality of staple cavities 21312 arranged in concentric circles, for example. For example, the staple cartridge 24200 can further comprise a circular tissue thickness compensator mat 24270 positioned on the cartridge body 24210 wherein the compensator mat 24270 can comprise packets 24272 which extend radially outwardly, for example. Similar to the above, the packets 24272 can extend in directions which overlie the staple cavities 21312 such that the packets 24272 can extend between the legs of staples 21330 positioned within the staple cavities 21312. Also similar to the above, the staples 21330 can be configured to capture the packets 24272 therein when the staples 21330 are fired from the staple cartridge 24200.

[0865] Referring now to FIG. 518, a staple cartridge 24300 can include a cartridge body 24310 and a tissue thickness compensator 24320 including a compensator body 24322 and a plurality of tubular members 24324 positioned within the compensator body 24322. For example, the staple cartridge 24300 can further comprise a tissue thickness compensator layer, or sheet, 24370, for example, positioned intermediate the tissue thickness compensator 24320 and the cartridge body 24310. Referring now to FIG. 508, a plurality of staple cartridges 24300 can be manufactured simultaneously utilizing a mold 24390. The mold 24390 can include a plurality of cavities 24391 which can each be configured to receive a cartridge body 24310 therein, as illustrated in FIG. 509. Thereafter, one or more large sheets of material comprising the tissue thickness compensator layer 24370 can be placed over the cartridge bodies 24310. The mold 24390 can include a plurality of upwardly-extending support pins or posts 24392 wherein the sheets 24370 can be positioned against the posts 24392 and then pushed downwardly such that the posts 24392 can puncture the sheets 24370 as illustrated in FIGS. 510 and 512. Referring now to FIGS. 511 and 513, an elongate tube, or tubes, 24324 can be wound around and between the posts 24392 such that the tube 24324 passes over each cartridge body 24310 at least once. The tube 24324 can be wound around and between the posts 24392 such that the tube 24324 passes over each cartridge body 24310 six times, for example. The tube 24324 can be permitted to rest on the sheets 24370 while, the tube 24324 can be wound tightly around and between the posts 24392 such that the tube 24324 is taut and can be suspended above the sheets 24370. Once the tube 24324 has been suitably positioned, referring primarily to FIG. 514, a material comprising the compensator body 24322 can be poured into the mold 24390 on top of the sheets 24370. The

END6843WOPCT3

sheets 24370 can be configured to protect, or mask, the cartridge bodies 24310 and can prevent the compensator body material 24322 from entering into the staple cavities 21312 defined in the cartridge bodies 24310, for example. According to the invention, a sufficient amount of compensator body material 24322 can be poured into the mold such that the compensator body material 24322 covers the elongate tube 24322.

[0866] Further to the above, the compensator body material 24322 can then be cured, solidified, and/or lyophilized, for example, to form the tissue thickness compensators 24320 on top of the cartridge bodies 24310. Thereafter, referring now to FIG. 515, a cutting die 24395 can be utilized to cut the compensator body material 24322, the tissue thickness compensator sheets 24370, and the elongate tube 24322. Referring now to FIG. 516, the cutting die 24395 can comprise a plurality of cutting blades 24396 which can be configured to singulate and detach the tissue thickness compensators 24320 and the tissue thickness compensator sheets 24370 from one another. The cutting die 24395 can include a plurality of wells 24397 which can be configured to remove any excess material between the singulated tissue thickness compensators 24320 and the tissue thickness compensator sheets 24370, as illustrated in FIG. 517. The cutting die 24935, and/or any other suitable die, can comprise one or more heating elements, for example, which can be configured to seal the ends and/or edges of the tissue thickness compensators 24320. The tube 24324 can be filled with one or more fluids. In such cases, the cutting blades 24396 can be configured to incise the tube 24324 and, at the same time, seal the ends of the tube portions contained within the tissue thickness compensator 24320. Thereafter, the plurality of staple cartridges 24300 can be removed from the mold.

[0867] Referring now to FIGS. 519 and 520, a staple cartridge 24400 can comprise a cartridge body 24410 which can be configured to removably store a plurality of staples therein. In addition, the staple cartridge 24400 can further comprise a tissue thickness compensator 24420. The tissue thickness compensator 24420 can include a compensator body comprised of a plurality of layers 24422 wherein, the layers 24422 can be comprised of cellulose film, for example. As illustrated in FIG. 521a material 24424 can be positioned between two or more adjacent layers 24422 wherein the material 24424 can space the adjacent layers 24422 apart from each other. The material 24424 can comprise a polyblend biomedical extrusion and, the material 24424 can comprise a haemostatic material, an anti-inflammatory material, and/or an anti-biotic material, for example. Referring now to FIG. 521, the material 24424 can be applied to a layer

END6843WOPCT3

24422 by a dispenser 24490 in a wave pattern, for example, wherein the wave pattern can be configured such that the material 24424 can be positioned over one or more staple cavities defined in the cartridge body 24410. In such cases, the material 24424 can be captured within staples ejected from the staple cavities and provide a resilient biasing force to tissue also captured within the staples. In any event, one or more of the layers 24422 can be vacuum formed and/or heat sealed, for example, over the material 24424 to create the tissue thickness compensator 24420. The tissue thickness compensator 24420 can then be cut to length. Various embodiments are envisioned in which a tissue thickness compensator 22420 is positioned against the deck surface of a staple cartridge and another tissue thickness compensator 22420 is positioned against the anvil.

[0868] Referring now to FIG. 524, a staple cartridge 24600 can comprise one or more tissue thickness compensators 24620 positioned over a cartridge body 24610. Referring primarily to FIG. 523, each tissue thickness compensator 24620 can comprise a plurality of layers 24622 and a compressible, or collapsible, member 24624 positioned between the layers 24622. The collapsible member 24624 can comprise a corrugated member which includes a plurality of pockets defined therein wherein, one or more medicaments can be stored within the pockets. For example, a first medicament can be placed within the pockets on a first side of the corrugated member and a second medicament can be placed within the pockets on a second side of the corrugated member, for example. The tissue thickness compensator 24620 can be formed when the layers 24622 and the compressible member 24624 are compressed together by rollers 24590, for example. With reference now to FIG. 522, a tissue thickness compensator 24520 can be formed from a tube of material that is rolled into a partially flattened shape by rollers 24590, for example. Referring now to FIGS. 525 and 526, staples 21330 positioned within the cartridge body 24610 can be ejected therefrom such that the staples 21330 can capture at least a portion of a tissue thickness compensator 24620 therein. In such cases, the compressible member 24624 can be configured to apply a resilient biasing force against the tissue T which has also been captured within the staples 21330. The layers 24622 of the tissue thickness compensator 24620 can also be configured to apply a resilient biasing force against the tissue T. The staples 21330 can puncture the pockets of the corrugated member 24624 and release the one or more medicaments contained therein.

END6843WOPCT3

[0869] The tissue thickness compensators described above may include substances therein. The substances may include coagulants, medications, and/or anti-inflammatories, for example. The substances may be liquids, but also may take other forms, such as solids and/or gels, for example. For surgical devices that include such tissue thickness compensators, it may be advantageous for the surgical device to include features that direct the substance out of the tissue thickness compensators. For example, the substance may be directed from the tissue thickness compensators toward incised and stapled tissue. In another example, a first tissue thickness compensator may include a first substance and a second tissue thickness compensator may include a second substance, wherein the first and second substances may be mixed by the surgical device. As another example, the substances may be directed away from each other, toward a staple cartridge, and/or toward an anvil of the surgical device, for example.

[0870] FIGS. 390-391 illustrate a surgical stapling system that includes a cutting blade 19000 comprising a cutting edge 19016, a staple cartridge 19002, an anvil 19008, a first tissue thickness compensator 19004 positioned on the staple cartridge 19002, and a second tissue thickness compensator 19006 positioned on the anvil 19008. In use, the cutting blade 19000 is moved distally in the direction of arrow D to cut patient tissue T and the first and second tissue thickness compensators 19004 and 19006. The first tissue thickness compensator 19004 comprises a substance S contained therein and the second tissue thickness compensator 19006 comprises a substance S' contained therein. The first tissue thickness compensator 19004 includes an encasement that includes the substance S therein. The encasement may include a film of material that is opened by the cutting blade 19000 cutting the film, wherein the substance S is released when the film is opened. The second tissue thickness compensator 19006 may include a similar encasement, and the second substance S' may be released when the encasement of the second tissue thickness compensator 19006 is cut open by the cutting blade 19000. As the blade 19000 moves distally, guides 19030 and 19022 may direct or displace substances S and S' from the first and second tissue thickness compensators 19004 and 19006, respectively. For example, substances S and S' may be directed toward the incised tissue T. The blade 19000 may be coupled to a shaft 19012, which, in turn, may be connected to an actuating mechanism that moves the blade 19000 in the distal direction D and in a proximal direction indicated by arrow P.

[0871] A guide 19030 may direct the substance S from the first tissue thickness compensator 19004 towards the incised tissue T. A mirror-image of the guide 19030 may be positioned on an

END6843WOPCT3

opposing face of the blade 19000. Guide 19030 may include two raised ridges 19032 and 19034 that define a channel C therebetween. A distal end 19035 of the channel C can be positioned proximate to the first tissue thickness compensator 19004 and a proximal end 19037 of the channel C can be positioned proximate to the tissue T when the surgical stapler is positioned against the tissue T. In use, as the cutting blade 19000 moves in the distal direction D, the substance S from the first tissue thickness compensator 19004 enters the channel C at distal end 19035, flows through the channel C, and exits the channel C at proximal end 19037 proximate to the tissue T.

[0872] A guide 19022 may direct substance S' from the second tissue thickness compensator 19006 toward the incised tissue T. Guide 19022 includes a protrusion 19025 with an inclined surface 19023. As shown in FIG. 390, the protrusion 19025 may pierce or cut the second tissue thickness compensator 19006 to release the substance S'. As the blade 19000 moves distally D, the inclined surface 19025 can direct the substance S' towards the tissue T.

[0873] Substances S and S' may mix as they are directed towards the tissue T. The substances S and S' may be different and may react when mixed. For example, substances S and S' may react chemically when mixed to form a new substance S''. The new substance S'' may be, for example, a medication, an antibiotic, a coagulant, and/or any other suitable type of substance. After the blade 19000 has been suitably advanced in the distal direction D, the blade 19000 may return by moving proximally P wherein the proximal movement of the blade 19000 may further mix substances S and S'.

[0874] Alternatively, the guides 19022 and 19030 may be configured to direct substances S and S' away from tissue T. For example, guide 19030 may be configured to direct substance S toward the staple cartridge 19002, and guide 19022 may be configured to direct substance S' toward the anvil 19008. Such an arrangement may be advantageous, for example, if the first tissue thickness compensator 19004 is held to the staple cartridge 19002 by an adhesive at a junction 19005, for example, and if the second tissue thickness compensator 19906 is held to the anvil 19008 by an adhesive at a junction 19007, for example. The substances S and S' may dissolve or neutralize the adhesives, thereby at least partially releasing the first and second tissue thickness compensators 19004 and 19006 from the staple cartridge 19002 and the anvil 19008, respectively.

END6843WOPCT3

[0875] FIG. 392 shows an alternative guide 19030' in which a channel C' is defined by a depression or groove in the surface of the blade 19014. The channel C' may comprise a single channel or may comprise multiple channels.

[0876] FIGS. 393-396 illustrate another surgical stapling system that includes a cutting blade 19060 and a cutting edge 19056, a first tissue thickness compensator 19004, and a second tissue thickness compensator 19006. The blade 19060 may include a first protrusion 19062 on a first side of the blade 19060, wherein the first protrusion 19062 defines an orifice 19064 passing from the first side of the blade 19060 to a second side of the blade 19060. The first protrusion 19062 and first orifice 19064 may be aligned with the first tissue thickness compensator 19004. In use, as the blade 19060 moves distally, at least a portion of the substance S in the first tissue thickness compensator 19004 can pass through the first orifice 19064. Optionally, contours of the first protrusion 19062 can direct the substance S to a second side of the blade 19060 and/or toward the tissue T.

[0877] The blade 19060 may also include a second protrusion 19066 on the second side of the blade 19060, wherein the second protrusion defines an orifice 19068 passing from the second side of the blade 19060 to the first side of the blade 19060. The second protrusion 19066 and the second orifice may be aligned with the second tissue thickness compensator 19006. In use, as the blade 19060 moves distally, at least a portion of the substance S' in the tissue thickness compensator 19006 can pass through the second orifice 19068. Optionally, contours of the second protrusion 19066 can direct the substance S' to the first side of the blade 19060 and/or toward the tissue T.

[0878] Referring primarily to FIGS. 393 and 394, the shaft 19059 may include surface features, such as, for example, dimples 19070 that can increase turbulence and/or displacement of the substances S and S'. This increased turbulence and/or displacement can cause a greater portion of the substances S and S' to come into contact with each other, for example. The dimples 19070 can be positioned proximally with respect to the orifices 19064 and 19068. When the blade 19000 is being advanced distally, the dimples 19070 can be downstream of the orifices 19064 and 19068; however, when the blade 19000 is retracted proximally, the dimples 19070 can be upstream of the orifices 19064 and 19068.

[0879] FIGS. 397-399 illustrate another surgical stapler that includes a blade 19100 and a cutting edge 19108, a first tissue thickness compensator 19120, and a second tissue thickness

END6843WOPCT3

compensator 19122. The first tissue thickness compensator 19120 can comprise a first substance S and a second substance S'. For example, the first substance S can be contained in a first encasement, described above. The second substance S' can be carried in a second encasement that can be proximate to and/or surrounding the first encasement. The second tissue thickness compensator 19122 can comprise a third substance S''. The second tissue thickness compensator 1922 can comprise a fourth substance S'''. The third substance S'' and the fourth substance S''' may be carried in encasements, like the encasements described above. The blade 19100 may include a textured surface 19110 on a first side 19102 of the blade 19100 on which substances S, S', S'', and S''' can spread across. Another textured surface may be located on an opposing second side (not shown) of the blade 19100. The textured surface 19110 may comprise a series of disrupting features, such as, for example, grooves that are cut, scored, etched, and/or otherwise formed in the first surface 19102. The disrupting features also may comprise a series of raised features, such as raised ridges, on the first surface 19102, for example. As shown in FIGS. 397-399, the disrupting features of the textured surface 19110 may include a regularly repeating pattern of disrupting features. The disrupting features may also be placed in a non-repeating pattern or randomly placed.

[0880] The blade 19100 may also include a second surface 19104 that is positioned proximally relative to the first surface 19102. The second surface 19104 can be raised relative to the first surface 19102. A junction between the first surface 19102 and the second surface 19104 can define a third surface 19106, wherein the third surface 19106 may be positioned at an angle relative to a longitudinal axis of the blade 19100. The motion of the blade 19100 in the distal direction D can result in a first end 19107 of the third surface 19106 leading ahead of a second end 19109 of the third surface 19106. As a result, as shown in FIG. 399, the third surface 19106 can cause the substances S and S' from the first tissue thickness compensator 19120 to be directed toward the incised tissue T. A surface 19105, similar to the second surface 19104, may be located on the opposing second side of the blade 19100.

[0881] The blade 19100 shown in FIGS. 397-399 may be used in a surgical device that includes the first and second tissue thickness compensators 19004 and 19006 shown in FIGS. 390-396. As described above, the textured surface 19110 may distribute the substances S and S' from respective tissue thickness compensators 19004 and 19006 on the first surface 19102 of the blade such that they may mix and can be positioned near the tissue T.

END6843WOPCT3

[0882] The blade 19100 shown in FIGS. 397-399 also may be used in a surgical device that includes the first tissue thickness compensator 19120 and the second tissue thickness compensator 19122 shown in FIGS. 397-399. The first tissue thickness compensator 19120 may include an interior portion 19121 that includes a first substance S. When the first tissue thickness compensator 19120 is cut by the cutting edge 19108 of the blade 19100, the substance S can be released from the interior portion 19121. As the blade 19100 moves relative to the tissue thickness compensator 19120, the substance S may be spread on the textured surface 19110 and the third surface 19106 can direct the substance S toward the tissue T. As described above, the first tissue thickness compensator 19120 may include a second substance S' outside of the interior portion 19121. When the first tissue thickness compensator 19120 is cut by the cutting edge 19108 of the blade 19100, both the first substance S and the second substance S' may be distributed on the textured surface 19110. The distribution on the textured surface 19110 may cause the first substance S and the second substance S' to mix. When mixed, the first substance S and the second substance S' may react, such as, for example, chemically reacting to form a new substance. The third surface 19106 may direct the first substance S and the second substance S' towards the tissue. As described above, the second tissue thickness compensator 19122 may include a third substance S''. When the second tissue thickness compensator 19122 is cut by the cutting edge 19108 of the blade 19100, the third substance S'' may be distributed on the textured surface 19110 where it may mix with the first substance S and/or the second substance S' and be directed towards the tissue T. As described above, the second tissue thickness compensator 19122 may include a fourth substance S'''. When the second tissue thickness compensator 19122 is cut by the cutting edge 19108 of the blade 19100, the third substance S'' and the fourth substance S''' may be distributed on the textured surface 19110 where they may mix with the first substance S, the second substance S' and/or each other and can be directed towards the tissue T.

[0883] Further to the above, a tissue thickness compensator can be comprised of a biocompatible material. The biocompatible material, such as, a foam, may comprise tackifiers, surfactants, fillers, cross-linkers, pigments, dyes, antioxidants and other stabilizers and/or combinations thereof to provide desired properties to the material. A biocompatible foam may comprise a surfactant. The surfactant may be applied to the surface of the material and/or dispersed within the material. Without wishing to be bound to any particular theory, the surfactant applied to the

END6843WOPCT3

biocompatible material may reduce the surface tension of the fluids contacting the material. For example, the surfactant may reduce the surface tension of water contacting the material to accelerate the penetration of water into the material. The water may act as a catalyst. The surfactant may increase the hydrophilicity of the material.

[0884] The surfactant may comprise an anionic surfactant, a cationic surfactant, and/or a non-ionic surfactant. Examples surfactants include, but are not limited to polyacrylic acid, methalose, methyl cellulose, ethyl cellulose, propyl cellulose, hydroxy ethyl cellulose, carboxy methyl cellulose, polyoxyethylene cetyl ether, polyoxyethylene lauryl ether, polyoxyethylene octyl ether, polyoxyethylene octylphenyl ether, polyoxyethylene oleyl ether, polyoxyethylene sorbitan monolaurate, polyoxyethylene stearyl ether, polyoxyethylene nonylphenyl ether, dialkylphenoxy poly(ethyleneoxy) ethanol, and polyoxamers, and combinations thereof. The surfactant may comprise a copolymer of polyethylene glycol and polypropylene glycol. The surfactant may comprise a phospholipid surfactant. The phospholipid surfactant may provide antibacterial stabilizing properties and/or disperse other materials in the biocompatible material.

[0885] The tissue thickness compensator may comprise at least one medicament. The tissue thickness compensator may comprise one or more of the natural materials, non-synthetic materials, and/or synthetic materials described herein. The tissue thickness compensator may comprise a biocompatible foam comprising gelatin, collagen, hyaluronic acid, oxidized regenerated cellulose, polyglycolic acid, polycaprolactone, polyactic acid, polydioxanone, polyhydroxyalkanoate, poliglecaprone, and combinations thereof. The tissue thickness compensator may comprise a film comprising the at least one medicament. The tissue thickness compensator may comprise a biodegradable film comprising the at least one medicament. The medicament may comprise a liquid, gel, and/or powder. The medicaments may comprise anticancer agents, such as, for example, cisplatin, mitomycin, and/or adriamycin.

[0886] The tissue thickness compensator may comprise a biodegradable material to provide controlled elution of the at least one medicament as the biodegradable material degrades. The biodegradable material may degrade may decompose, or loses structural integrity, when the biodegradable material contacts an activator, such as, for example an activator fluid. The activator fluid may comprise saline or any other electrolyte solution, for example. The biodegradable material may contact the activator fluid by conventional techniques, including, but not limited to spraying, dipping, and/or brushing. In use, for example, a surgeon may dip an end

END6843WOPCT3

effector and/or a staple cartridge comprising the tissue thickness compensator comprising the at least one medicament into an activator fluid comprising a salt solution, such as sodium chloride, calcium chloride, and/or potassium chloride. The tissue thickness compensator may release the medicament as the tissue thickness compensator degrades. The elution of the medicament from the tissue thickness compensator may be characterized by a rapid initial elution rate and a slower sustained elution rate.

[0887] According to the invention, a tissue thickness compensator, for example, can be comprised of a biocompatible material which may comprise an oxidizing agent. The oxidizing agent may be an organic peroxide and/or an inorganic peroxide. Examples of oxidizing agents may include, but are not limited to, hydrogen peroxide, urea peroxide, calcium peroxide, and magnesium peroxide, and sodium percarbonate. The oxidizing agent may comprise peroxygen-based oxidizing agents and hypochlorite-based oxidizing agents, such as, for example, hydrogen peroxide, hypochlorous acid, hypochlorites, hypochlorides, and percarbonates. The oxidizing agent may comprise alkali metal chlorites, hypochlorites and perborates, such as, for example, sodium chlorite, sodium hypochlorite and sodium perborate. The oxidizing agent may comprise vanadate. The oxidizing agent may comprise ascorbic acid. The oxidizing agent may comprise an active oxygen generator. According to the invention, a tissue scaffold may comprise the biocompatible material comprising an oxidizing agent.

[0888] The biocompatible material may comprise a liquid, gel, and/or powder. The oxidizing agent may comprise microparticles and/or nanoparticles, for example. For example, the oxidizing agent may be milled into microparticles and/or nanoparticles. The oxidizing agent may be incorporated into the biocompatible material by suspending the oxidizing agent in a polymer solution. The oxidizing agent may be incorporated into the biocompatible material during the lyophilization process. After lyophilization, the oxidizing agent may be attached to the cell walls of the biocompatible material to interact with the tissue upon contact. The oxidizing agent may not be chemically bonded to the biocompatible material. A percarbonate dry powder may be embedded within a biocompatible foam to provide a prolonged biological effect by the slow release of oxygen. A percarbonate dry powder may be embedded within a polymeric fiber in a non-woven structure to provide a prolonged biological effect by the slow release of oxygen. The biocompatible material may comprise an oxidizing agent and a medicament, such as, for example, doxycycline and ascorbic acid.

END6843WOPCT3

[0889] The biocompatible material may comprise a rapid release oxidizing agent and/or a slower sustained release oxidizing agent. The elution of the oxidizing agent from the biocompatible material may be characterized by a rapid initial elution rate and a slower sustained elution rate. The oxidizing agent may generate oxygen when the oxidizing agent contacts bodily fluid, such as, for example, water. Examples of bodily fluids may include, but are not limited to, blood, plasma, peritoneal fluid, cerebral spinal fluid, urine, lymph fluid, synovial fluid, vitreous fluid, saliva, gastrointestinal luminal contents, and/or bile. Without wishing to be bound to any particular theory, the oxidizing agent may reduce cell death, enhance tissue viability and/or maintain the mechanical strength of the tissue to tissue that may be damaged during cutting and/or stapling.

The biocompatible material may comprise at least one microparticle and/or nanoparticle. The biocompatible material may comprise one or more of the natural materials, non-synthetic materials, and synthetic materials described herein. The biocompatible material may comprise particles having a mean diameter of about 10 nm to about 100 nm and/or about 10 μ m to about 100 μ m, such as, for example, 45-50 nm and/or 45-50 μ m. The biocompatible material may comprise biocompatible foam comprising at least one microparticle and/or nanoparticle embedded therein. The microparticle and/or nanoparticle may not be chemically bonded to the biocompatible material. The microparticle and/or nanoparticle may provide controlled release of the medicament. The microparticle and/or nanoparticle may comprise at least one medicament. The microparticle and/or nanoparticle may comprise a hemostatic agent, an anti-microbial agent, and/or an oxidizing agent, for example. The tissue thickness compensator may comprise a biocompatible foam comprising an hemostatic agent comprising oxidized regenerated cellulose, an anti-microbial agent comprising doxycycline and/or Gentamicin, and/or an oxidizing agent comprising a percarbant. The microparticle and/or nanoparticle may provide controlled release of the medicament up to three days, for example.

[0890] The microparticle and/or nanoparticle may be embedded in the biocompatible material during a manufacturing process. For example, a biocompatible polymer, such as, for example, a PGA/PCL, may contact a solvent, such as, for example, dioxane to form a mixture. The biocompatible polymer may be ground to form particles. Dry particles, with or without ORC particles, may be contacted with the mixture to form a suspension. The suspension may be

END6843WOPCT3

lyophilized to form a biocompatible foam comprising PGA/PCL having dry particles and/or ORC particles embedded therein.

[0891] The tissue thickness compensators or layers disclosed herein can be comprised of an absorbable polymer, for example. A tissue thickness compensator can be comprised of foam, film, fibrous woven, fibrous non-woven PGA, PGA/PCL (Poly(glycolic acid-co-caprolactone)), PLA/PCL (Poly(lactic acid-co- polycaprolactone)), PLLA/PCL, PGA/TMC (Poly(glycolic acid-co-trimethylene carbonate)), PDS, PEPBO or other absorbable polyurethane, polyester, polycarbonate, Polyorthoesters, Polyanhydrides, Polyesteramides, and/or Polyoxaesters, for example. According to the invention, a tissue thickness compensator can be comprised of PGA/PLA (Poly(glycolic acid-co-lactic acid)) and/or PDS/PLA (Poly(p-dioxanone-co-lactic acid)), for example. According to the invention, a tissue thickness compensator can be comprised of an organic material, for example. A tissue thickness compensator can be comprised of Carboxymethyl Cellulose, Sodium Alginate, Cross-linked Hyaluronic Acid, and/or Oxidized regenerated cellulose, for example. According to the invention, a tissue thickness compensator can comprise a durometer in the 3-7 Shore A (30-50 Shore OO) ranges with a maximum stiffness of 15 Shore A (65 Shore OO), for example. A tissue thickness compensator can undergo 40% compression under 3 lbf load, 60% compression under 6 lbf load, and/or 80% compression under 20 lbf load, for example. One or more gasses, such as air, nitrogen, carbon dioxide, and/or oxygen, for example, can be bubbled through and/or contained within the tissue thickness compensator. A tissue thickness compensator can comprise beads therein which comprise between approximately 50% and approximately 75% of the material stiffness comprising the tissue thickness compensator.

[0892] According to the invention, a tissue thickness compensator can comprise hyaluronic acid, nutrients, fibrin, thrombin, platelet rich plasma, Sulfasalazine (Azulfidine® – 5ASA+Sulfapyridine diazo bond)– prodrug – colonic bacterial (Azoreductase), Mesalamine (5ASA with different prodrug configurations for delayed release), asacol® (5ASA + Eudragit-S coated – pH > 7 (coating dissolution)), Pentasa® (5ASA + ethylcellulose coated – time/pH dependent slow release), Mesasal® (5ASA + Eudragit-L coated – pH > 6), Olsalazine (5ASA + 5ASA – colonic bacterial (Azoreductase)), Balsalazide (5ASA + 4Aminobenzoyl-B-alanine) - colonic bacterial (Azoreductase)), Granulated mesalamine, Lialda (delay and SR formulation of mesalamine), HMPL-004 (herbal mixture that may inhibit TNF-alpha, interleukin-1 beta, and

END6843WOPCT3

nuclear-kappa B activation), CCX282-B (oral chemokine receptor antagonist that interferes with trafficking of T lymphocytes into the intestinal mucosa), Rifaximin (nonabsorbable broad-spectrum antibiotic), Infliximab, murine chymieric (monoclonal antibody directed against TNF-alpha-approved for reducing signs/symptoms and maintaining clinical remission in adult/pediatric patients with moderate/severe luminal and fistulizing Crohn's disease who have had inadequate response to conventional therapy), adalimumab, Total Human IgG1 (anti-TNF-alpha monoclonal antibody - approved for reducing signs/symptoms of Crohn's disease, and for the induction and maintenance of clinical remission in adult patients with moderate/severe active Crohn's disease with inadequate response to conventional therapies, or who become intolerant to Infliximab), Certolizumab pegoll, humanized anti-TNF FAB' (monoclonal antibody fragment linked to polyethylene glycol - approved for reducing signs/symptoms of Crohn's disease and for the induction and maintenance of response in adult patients w/ moderate/severe disease with inadequate response to conventional therapies), Natalizumab, First non-TNF-alpha inhibitor (biologic compound approved for Crohn's disease), Humanized monoclonal IgG4 antibody (directed against alpha-4 integrin - FDA approved for inducing and maintaining clinical response and remission in patients with moderate/severe disease with evidence of inflammation and who have had inadequate response to or are unable to tolerate conventional Crohn's therapies and inhibitors of TNF-alpha), concomitant Immunomodulators potentially given with Infliximab, azathioprine 6-Mercaptopurine (purine synthesis inhibitor – prodrug), Methotrexate (binds dihydrofolate reductase (DHFR) enzyme that participates in tetrahydrofolate synthesis, inhibits all purine synthesis), allopurinol and Thioprine therapy, PPI, H2 for acid suppression to protect the healing line, C-Diff – Flagyl, Vancomycin (fecal translocation treatment; probiotics; repopulation of normal endoluminal flora), and/or Rifaximin (treatment of bacterial overgrowth (notably hepatic encephalopathy); not absorbed in GI tract with action on intraluminal bacteria), for example.

[0893] As described herein, a tissue thickness compensator can compensate for variations in the thickness of tissue that is captured within the staples ejected from a staple cartridge and/or contained within a staple line, for example. Stated another way, certain staples within a staple line can capture thick portions of the tissue while other staples within the staple line can capture thin portions of the tissue. In such circumstances, the tissue thickness compensator can assume different heights or thicknesses within the staples and apply a compressive force to the tissue

END6843WOPCT3

captured within the staples regardless of whether the captured tissue is thick or thin. According to the invention, a tissue thickness compensator can compensate for variations in the hardness of the tissue. For instance, certain staples within a staple line can capture highly compressible portions of the tissue while other staples within the staple line can capture portions of the tissue which are less compressible. In such circumstances, the tissue thickness compensator can be configured to assume a smaller height within the staples that have captured tissue having a lower compressibility, or higher hardness, and, correspondingly, a larger height within the staples that have captured tissue having a higher compressibility, or lower hardness, for example. In any event, a tissue thickness compensator, regardless of whether it compensates for variations in tissue thickness and/or variations in tissue hardness, for example, can be referred to as a 'tissue compensator' and/or as a 'compensator', for example.

[0894] The devices disclosed herein can be designed to be disposed of after a single use, or they can be designed to be used multiple times. In either case, however, the device can be reconditioned for reuse after at least one use. Reconditioning can include any combination of the steps of disassembly of the device, followed by cleaning or replacement of particular pieces, and subsequent reassembly. In particular, the device can be disassembled, and any number of the particular pieces or parts of the device can be selectively replaced or removed in any combination. Upon cleaning and/or replacement of particular parts, the device can be reassembled for subsequent use either at a reconditioning facility, or by a surgical team immediately prior to a surgical procedure. Those skilled in the art will appreciate that reconditioning of a device can utilize a variety of techniques for disassembly, cleaning/replacement, and reassembly. Use of such techniques, and the resulting reconditioned device, are all within the scope of the present application.

[0895] Preferably, the invention described herein will be processed before surgery. First, a new or used instrument is obtained and if necessary cleaned. The instrument can then be sterilized. In one sterilization technique, the instrument is placed in a closed and sealed container, such as a plastic or TYVEK bag. The container and instrument are then placed in a field of radiation that can penetrate the container, such as gamma radiation, x-rays, or high-energy electrons. The radiation kills bacteria on the instrument and in the container. The sterilized instrument can then be stored in the sterile container. The sealed container keeps the instrument sterile until it is opened in the medical facility.

END6843WOPCT3

[0896] Any patent, publication, or other disclosure material, in whole or in part, that is said to be incorporated by reference herein is incorporated herein only to the extent that the incorporated materials does not conflict with existing definitions, statements, or other disclosure material set forth in this disclosure. As such, and to the extent necessary, the disclosure as explicitly set forth herein supersedes any conflicting material incorporated herein by reference. Any material, or portion thereof, that is said to be incorporated by reference herein, but which conflicts with existing definitions, statements, or other disclosure material set forth herein will only be incorporated to the extent that no conflict arises between that incorporated material and the existing disclosure material.

[0897] While this invention has been described as having exemplary designs, the present invention may be further modified within the spirit and scope of the disclosure. This application is therefore intended to cover any variations, uses, or adaptations of the invention using its general principles. Further, this application is intended to cover such departures from the present disclosure as come within known or customary practice in the art to which this invention pertains.

END6843WOPCT3

Claims

1. A staple cartridge assembly, comprising:
a cartridge body, comprising:
a first row of staple cavities; and
a second row of staple cavities;
staples, wherein each staple is at least partially positionable within one of the staple cavities, and wherein each staple is movable between an unfired position and a fired position;
a compressible tissue thickness compensator, wherein said staples are configured to at least partially capture the tissue thickness compensator when the staples are moved between their unfired positions and their fired positions; and
a medicament capsule positioned intermediate the first row of staple cavities and the second row of staple cavities, wherein the staple cavities and the staples are configured and arranged such that the staples do not puncture the medicament capsule when the staples are moved between their unfired positions and their fired positions, and wherein the medicament capsule comprises a shell at least partially comprised of a bioabsorbable material.
2. The staple cartridge assembly of Claim 1, wherein the medicament capsule further comprises a medicament positioned within the shell, and wherein after sufficient bioabsorption of the shell, the medicament can be released from the medicament capsule.
3. The staple cartridge assembly of Claim 2, wherein the shell is configured to flex such that the shell does not rupture when a compressive load is applied thereto.
4. The staple cartridge assembly of any preceding Claim, wherein the medicament capsule comprises a port, and wherein a medicament can be introduced into the shell through the port.
5. The staple cartridge assembly of any preceding Claim, wherein the medicament capsule comprises a network of tubes in fluid communication with each other.

END6843WOPCT3

6. A staple cartridge assembly, comprising:
 - a cartridge body comprising a plurality of staple cavities;
 - staples, wherein each staple is at least partially positionable within one of the staple cavities, and wherein each staple is movable between an unfired position and a fired position;
 - a compressible tissue thickness compensator, wherein the staples are configured to at least partially capture the tissue thickness compensator when the staples are moved between their unfired positions and their fired positions; and
 - a plurality of medicament capsules positioned within the tissue thickness compensator, wherein each medicament capsule is positioned over one of the staple cavities, and wherein the staple cavities and the staples are configured and arranged such that the medicament capsules are crushed within the staples when the staples are moved between their unfired positions and their fired positions.
7. The staple cartridge of Claim 6, wherein each medicament capsule comprises a tube including a shell and a medicament contained within the shell.
8. The staple cartridge of Claim 7, wherein each tube extends along a tube axis, and wherein each tube axis extends into one of the staple cavities.
9. The staple cartridge of any one of Claims 6-8, wherein the cartridge body further comprises a slot configured to receive a cutting member therein, and wherein the staple cartridge further comprises at least one second medicament capsule positioned over the slot.
10. A staple cartridge assembly, comprising:
 - a cartridge body comprising a plurality of staple cavities;
 - staples, wherein each staple is at least partially positionable within one of the staple cavities, and wherein each staple is movable between an unfired position and a fired position;
 - a compressible tissue thickness compensator, wherein the staples are configured to at least partially capture the tissue thickness compensator when the staples are moved between their unfired positions and their fired positions; and

END6843WOPCT3

a plurality of medicament capsules positioned within the tissue thickness compensator, wherein each medicament capsule comprises a shell, a cavity defined in the shell, and a medicament positioned in the cavity, wherein the shell comprises a through-hole extending into the cavity, and wherein the medicament can flow out of the medicament capsule through the through-hole.

11. The staple cartridge of Claim 10, wherein the tissue thickness compensator is comprised of gelatin.

12. The staple cartridge of Claim 11, wherein the shell is comprised of an absorbable polymer.

13. A method of manufacturing a tissue thickness compensator, the method comprising:
preparing a plurality of capsules including a cavity and at least one opening in communication with the cavity;
placing a medicament in the cavities of the capsules through the openings;
closing the openings of the capsules; and
encapsulating at least a portion of the capsules in a material.

14. The method of Claim 13, wherein the encapsulating comprises placing the capsules in a fluid and lyophilizing the fluid.

15. The method of Claim 13, wherein the encapsulating comprises preparing apertures in the material and positioning the capsules in the apertures.

16. The method of any one of Claims 13-15, wherein closing the openings in the capsules comprises heat-staking the capsules.

17. The method of any one of Claims 13-15, wherein closing the openings in the capsules comprises placing a polymeric material over the openings.

END6843WOPCT3

18. The method of any one of Claims 13-17, wherein the capsules comprise hollow tubes, and wherein preparing the capsules comprises constructing the tubes using an injection molding process.
19. A staple cartridge, comprising:
a cartridge body comprising a deck and a plurality of cavities;
staples removably positioned within some of the cavities;
piercing members removably positioned within some of the cavities, wherein each piercing member is movable between a unfired position and a fired position when the piercing members are ejected from the cavities; and
a compressible compensator positioned above the deck, wherein the compensator comprises at least one capsule positioned over the piercing members, and wherein the piercing members are configured to pierce the at least one capsule when the piercing members are moved into their fired positions.
20. The staple cartridge of Claim 19, wherein each staple is defined by a staple height, wherein each piercing member is defined by a piercing height, and wherein the piercing height is shorter than the staple height.
21. The staple cartridge of Claim 19 or Claim 20, wherein the compressible compensator comprises a tissue-contacting surface, and wherein the piercing members are sized and configured such that the piercing members do not pierce the tissue-contacting surface.
22. The staple cartridge of any one of Claims 19-21, wherein the piercing members are comprised of a bioabsorbable material, and wherein the staples are comprised of stainless steel.
23. The staple cartridge of any one of Claims 19-22, wherein the piercing members further comprise a medicament.
24. A staple cartridge assembly, comprising:
a cartridge body, comprising:

END6843WOPCT3

a deck;

a plurality of staple cavities defined in the deck; and

a slot configured to receive a cutting member;

staples, wherein each staple is removably positioned within one of the staple cavities, and wherein each staple is movable between an unfired position and a fired position;

a compressible tissue thickness compensator, wherein the staples are configured to at least partially capture the tissue thickness compensator when the staples are moved between their unfired positions and their fired positions;

a plurality of first medicament capsules positioned within the tissue thickness compensator; and

a plurality of second medicament capsules positioned within the tissue thickness compensator; wherein the first medicament capsules and the second medicament capsules are positioned relative to the slot, and wherein the cutting member is configured to incise the first medicament capsules and the second medicament capsules when the cutting member is moved within the slot.

25. The staple cartridge of Claim 24, wherein the first medicament capsules and the second medicament capsules are positioned in an alternating arrangement.

26. The staple cartridge of Claim 24 or Claim 25, wherein the first medicament capsules and the second medicament capsules are positioned within the slot.

27. The staple cartridge of any one of Claims 24-26, wherein the deck comprises a plurality of recesses, and wherein the first medicament capsules and the second medicament capsules are positioned in the recesses.

28. The staple cartridge of any one of Claims 24-27, wherein the first medicament capsules and the second medicament capsules are positioned within the tissue thickness compensator over the slot.

END6843WOPCT3

29. A tissue thickness compensator for use with a fastening instrument, the tissue thickness compensator comprising:

a compressible layer configured to be at least partially captured by fasteners; and
a capsule embedded in the compressible layer, wherein the capsule comprises:

a shell comprised of a bioabsorbable material;

a cavity defined within the shell;

a medicament contained within the cavity; and

wicking members extending from the shell, wherein the wicking members are configured to absorb bodily fluids and provide a path for the bodily fluids to flow to the shell.

30. The tissue thickness compensator of Claim 29, wherein the bioabsorbable material is a first bioabsorbable material configured to bioabsorb at a first rate, wherein the wicking members are comprised of the first bioabsorbable material, wherein the compressible layer is comprised of a second bioabsorbable material configured to bioabsorb at a second rate, and wherein the first rate is greater than the second rate.

31. The tissue thickness compensator of Claim 30, wherein the bioabsorption of the wicking members is configured to leave behind channels in the compressible layer.

32. The tissue thickness compensator of Claim 30 or Claim 31, wherein the bioabsorbable material is comprised of gelatin.

33. The tissue thickness compensator of any one of Claims 29-32, wherein the wicking members comprise support legs configured to support the compressible layer.

34. The tissue thickness compensator of any one of Claims 29-33, wherein the shell comprises an extruded tube.

35. A tissue thickness compensator for use with a fastening instrument, the tissue thickness compensator comprising:

a compressible extracellular matrix;

END6843WOPCT3

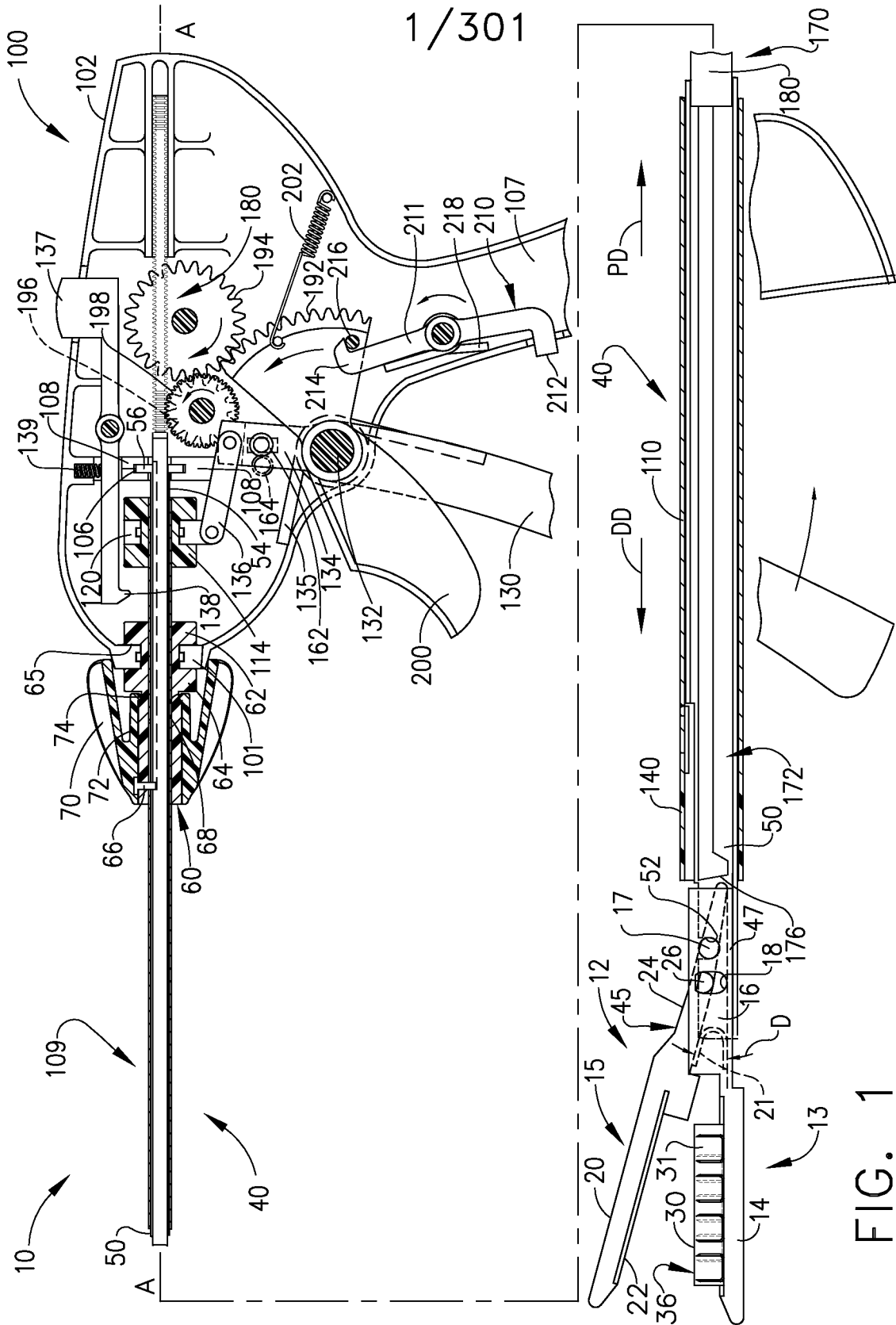
a bioabsorbable material dispersed within the extracellular matrix, wherein the bioabsorption of the bioabsorbable material is configured to leave behind channels in the extracellular matrix; and

generation means for generating the ingrowth of tissue into the channels.

36. The tissue thickness compensator of Claim 35, wherein the generation means comprises at least one of stem cells, platelet rich plasma, and growth factors.

37. The tissue thickness compensator of Claim 35 or Claim 36, wherein the extracellular matrix is comprised from at least one of skeletonized omentum and a regenerative material.

38. The tissue thickness compensator of any one of Claims 35-37, wherein the extracellular matrix is comprised of randomly-oriented hydrophilic fibers.



2/301

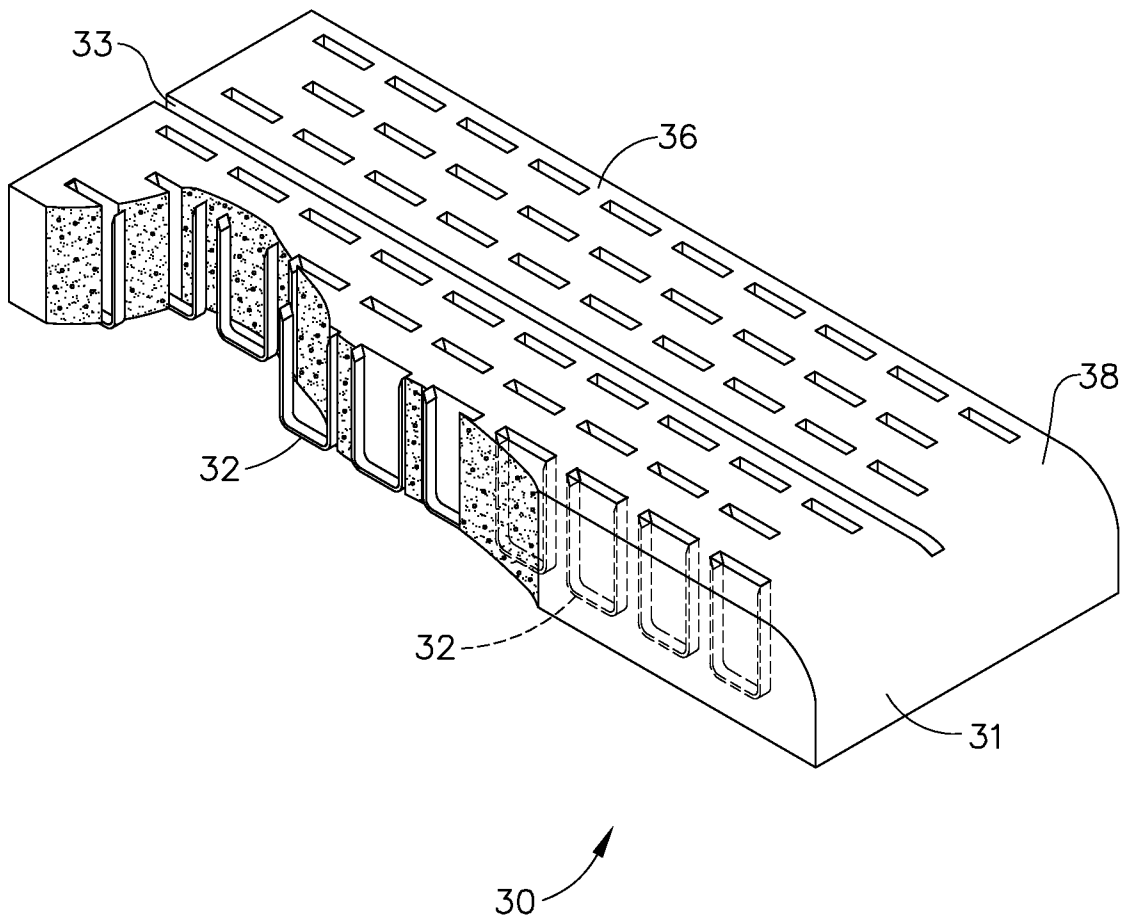


FIG. 1A

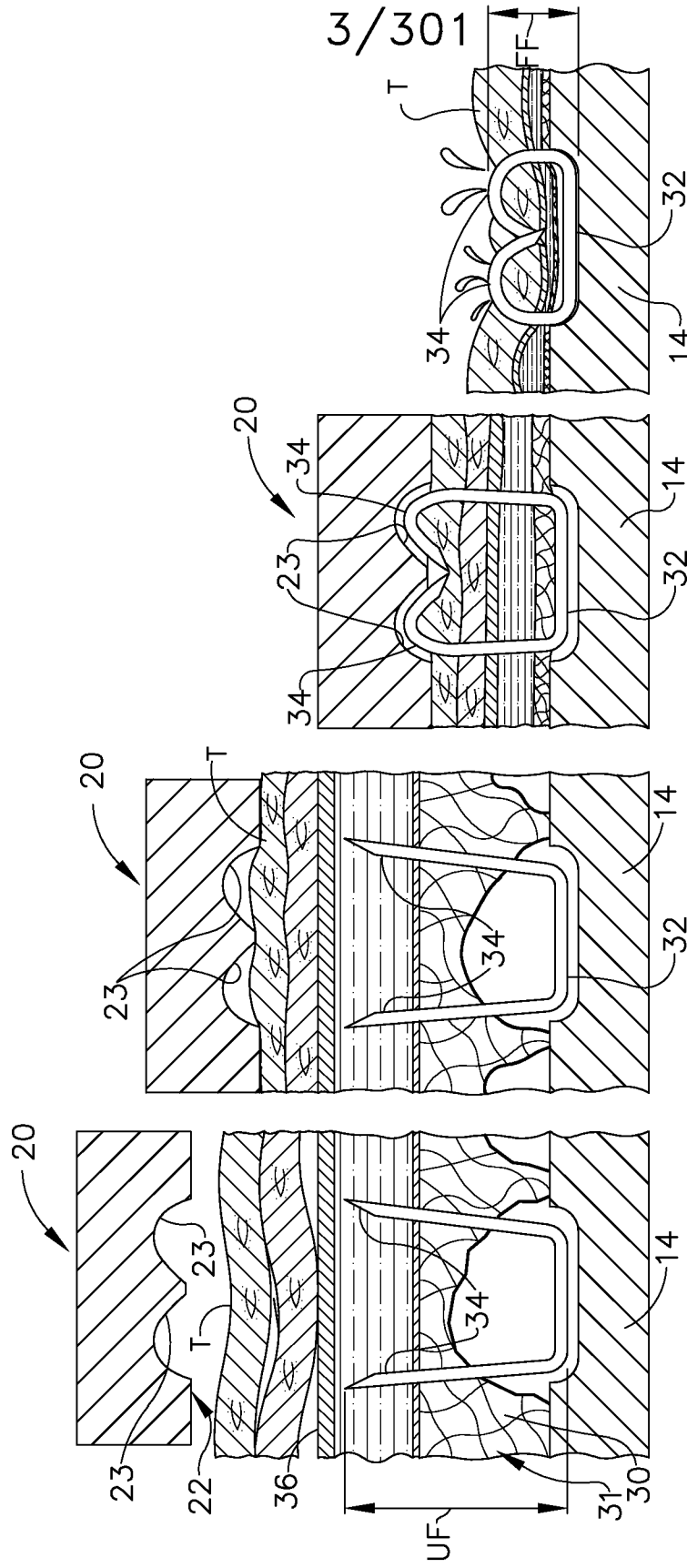


FIG. 1B FIG. 1C FIG. 1D FIG. 1E

5/301

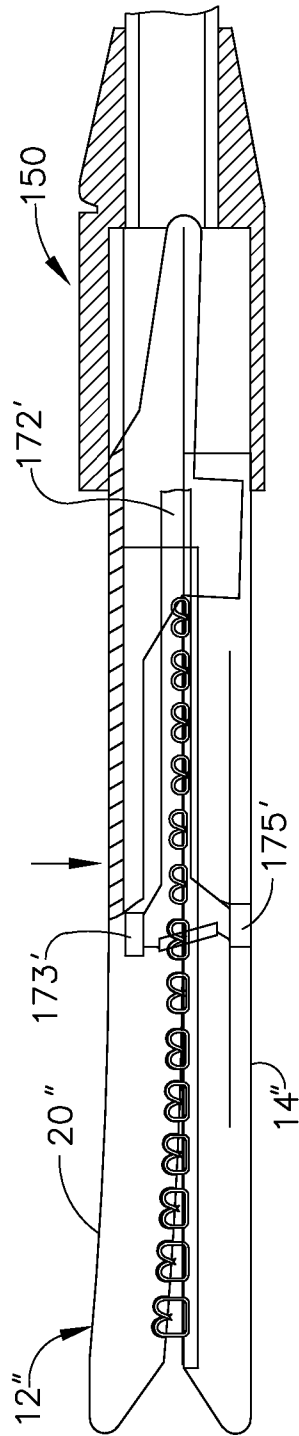


FIG. 5

6/301

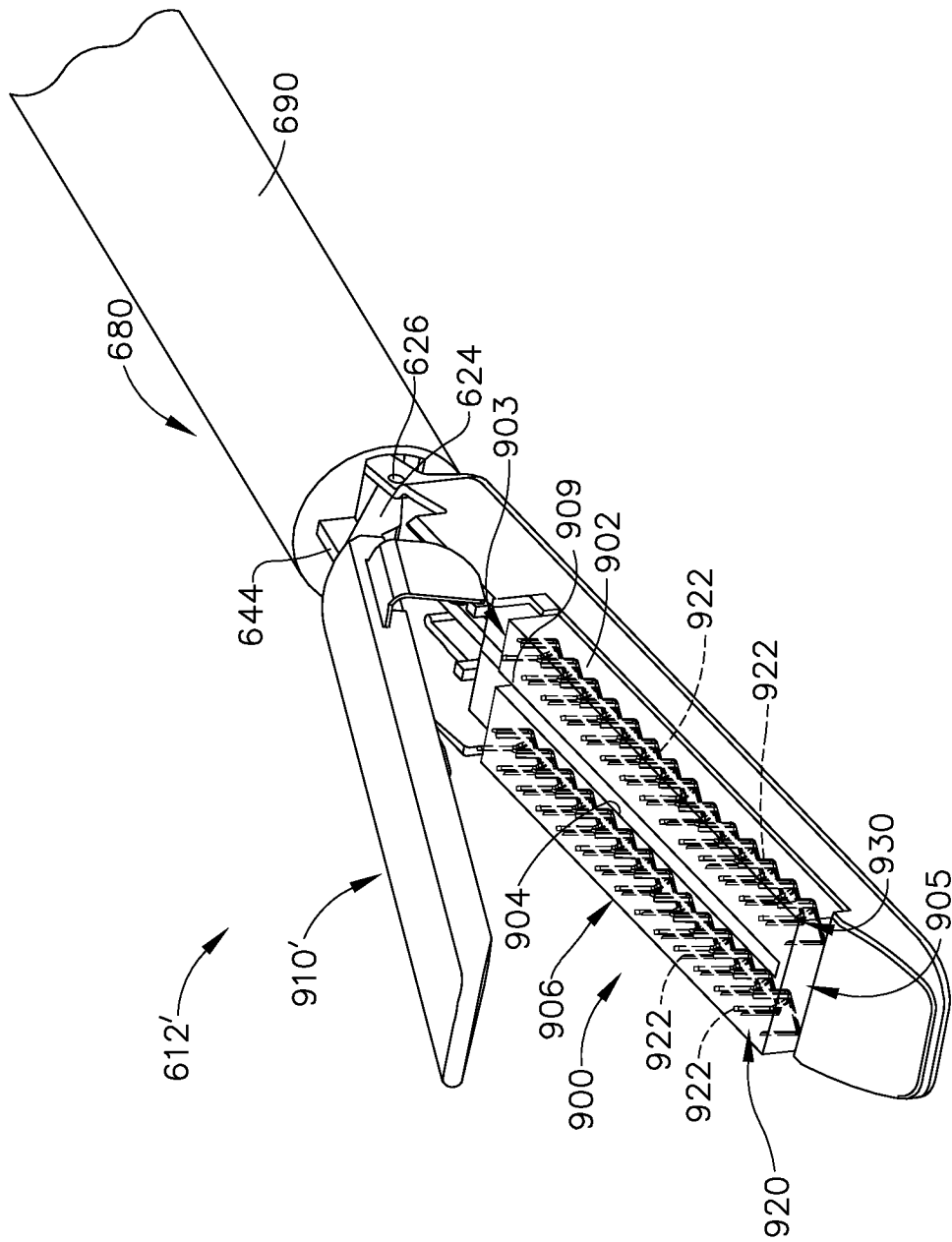


FIG. 6

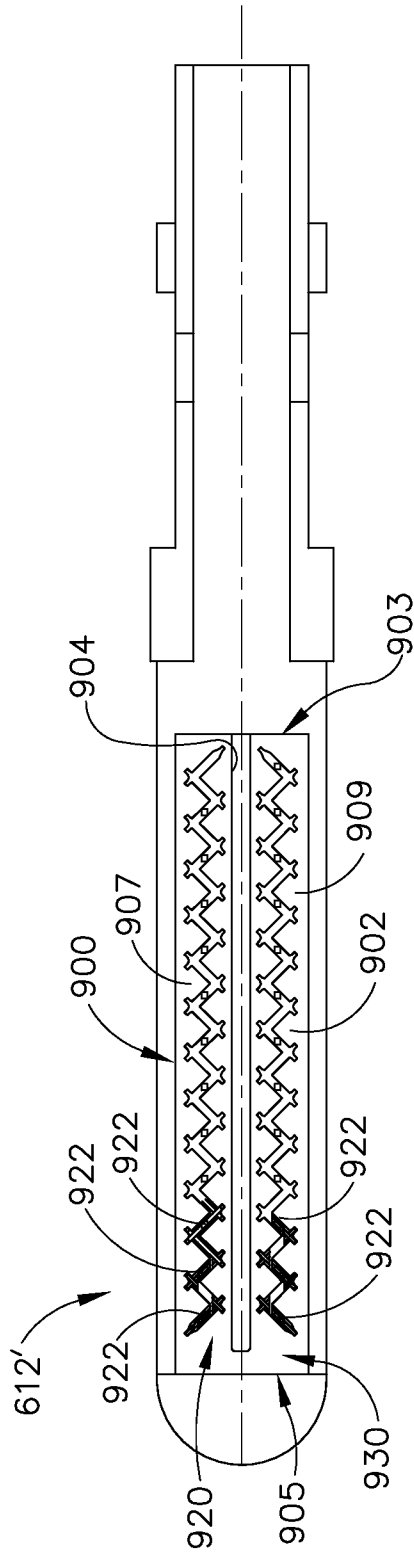


FIG. 7

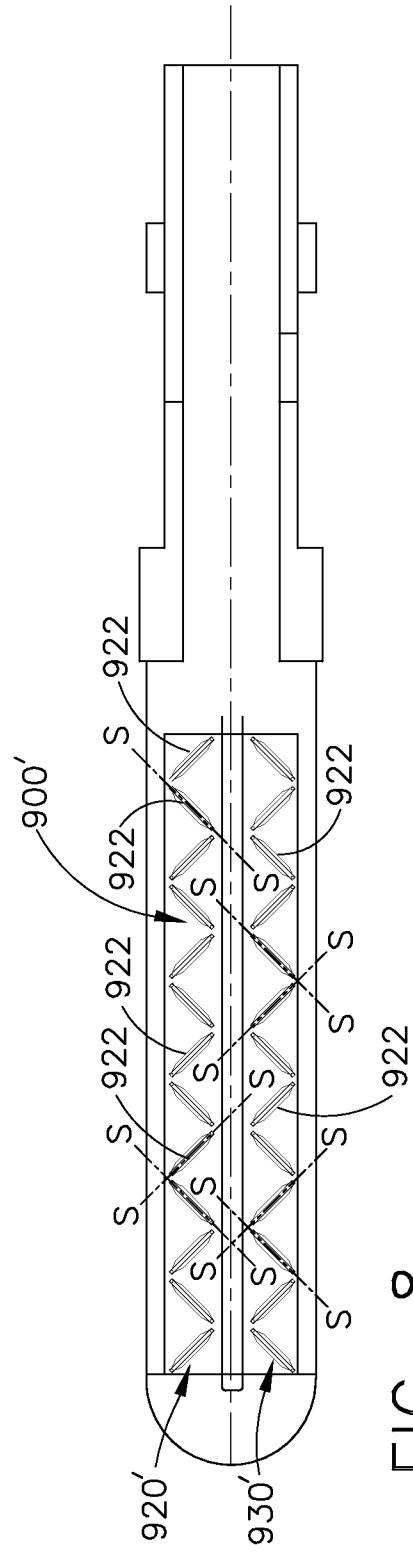


FIG. 8

8/301

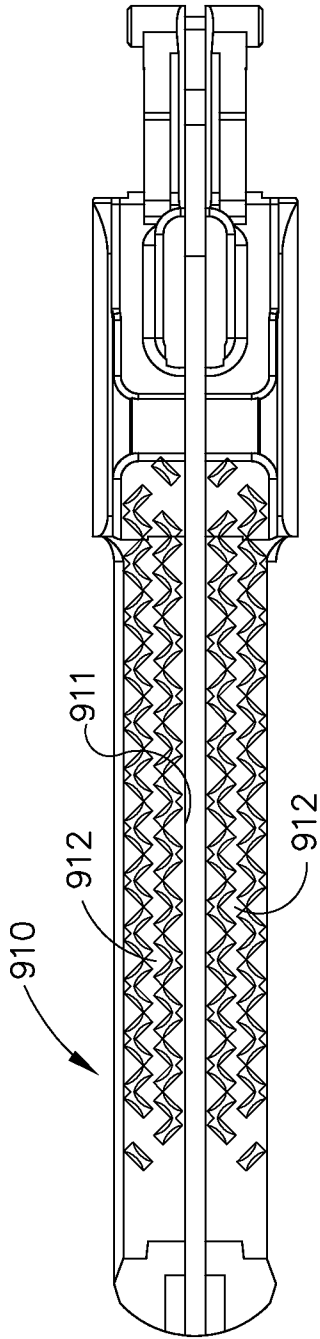


FIG. 9

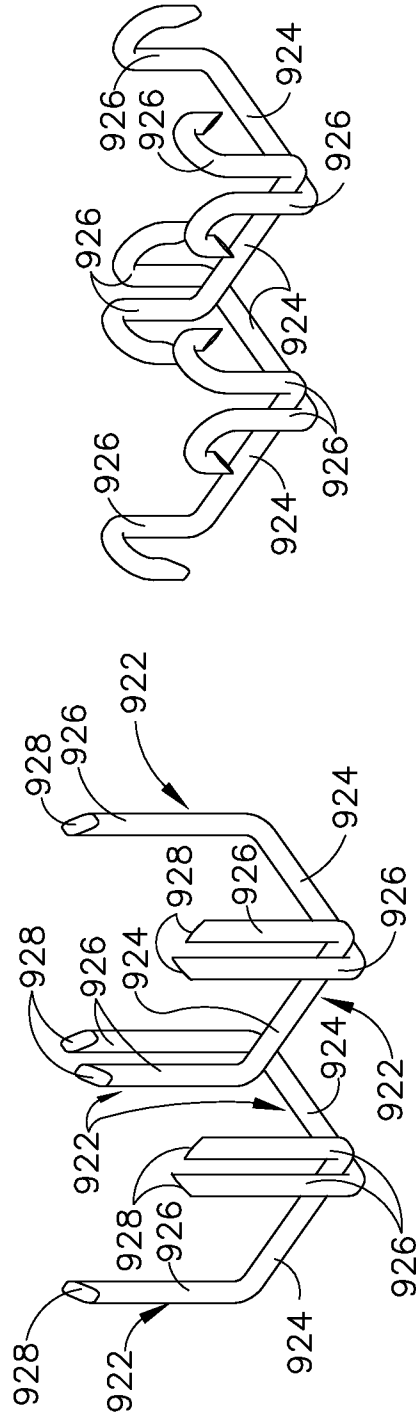


FIG. 10

FIG. 11

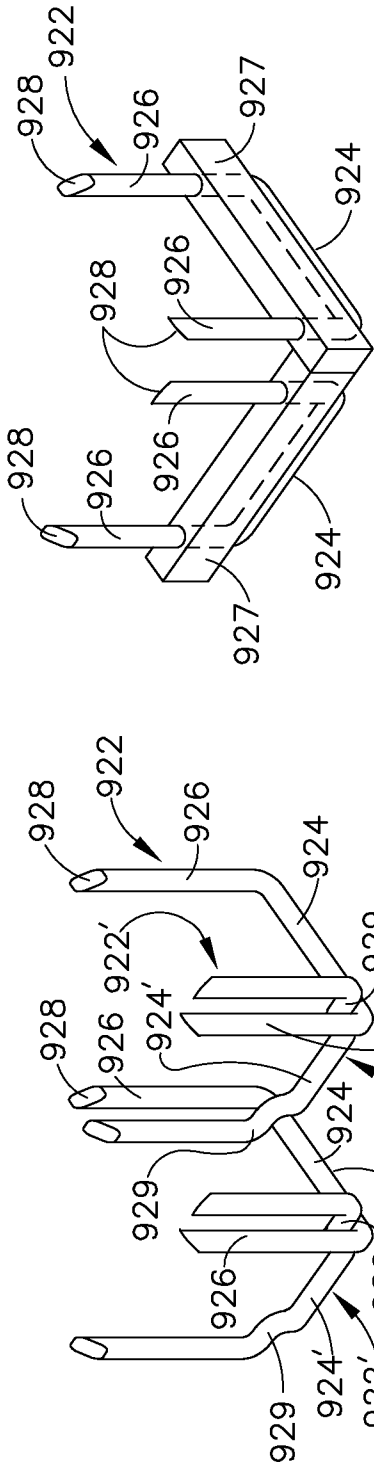


FIG. 12

FIG. 13

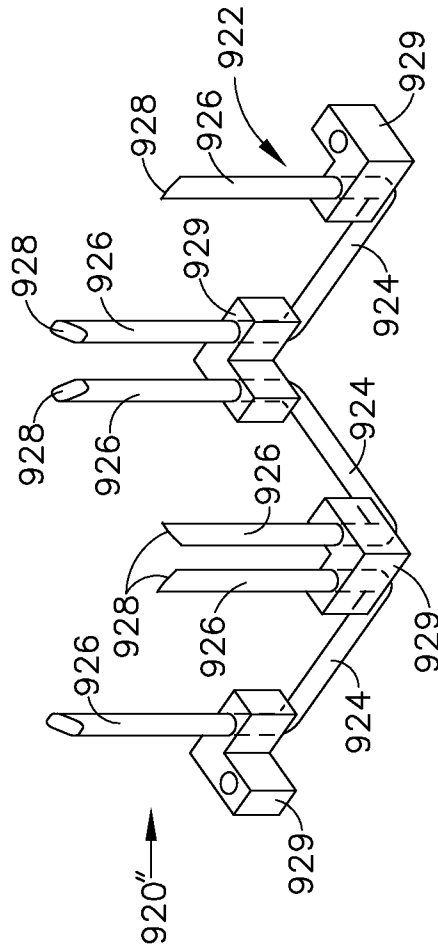


FIG. 14

10/301

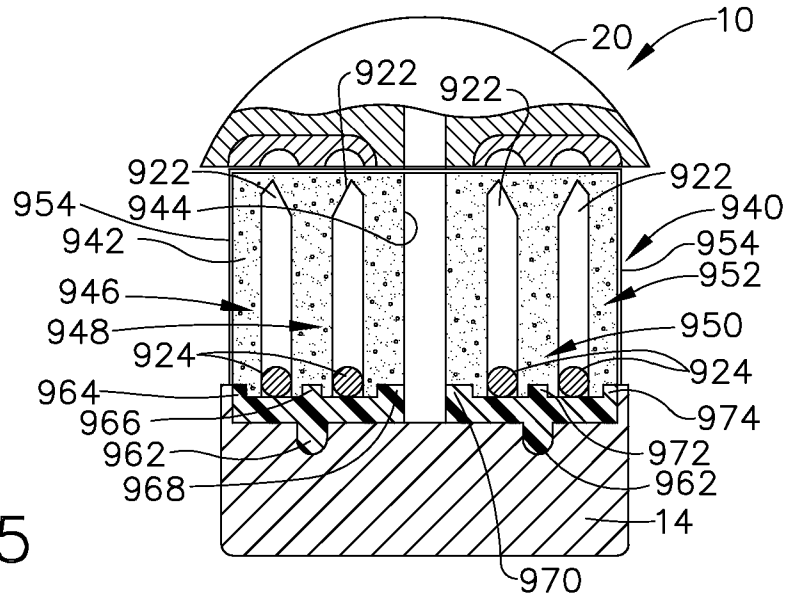


FIG. 15

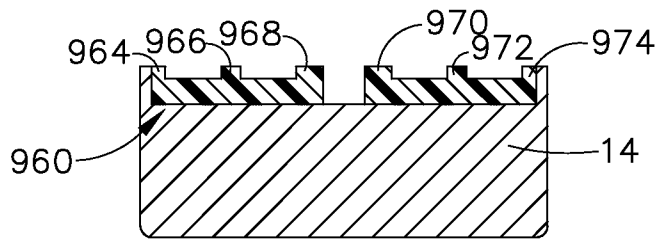


FIG. 16

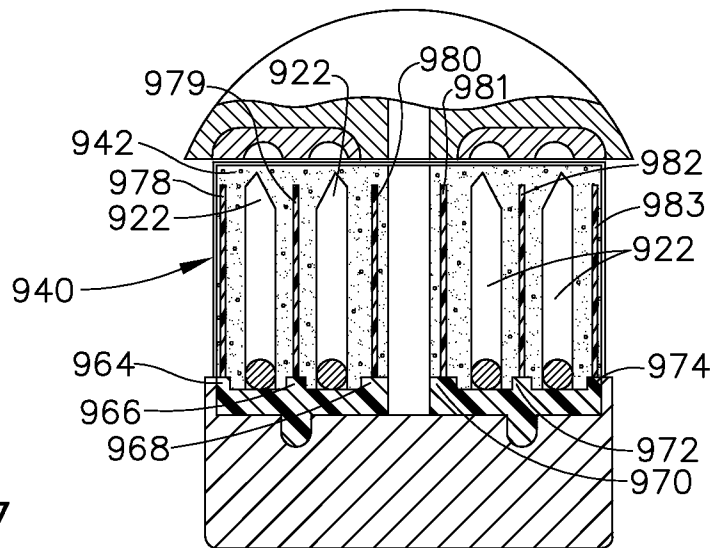
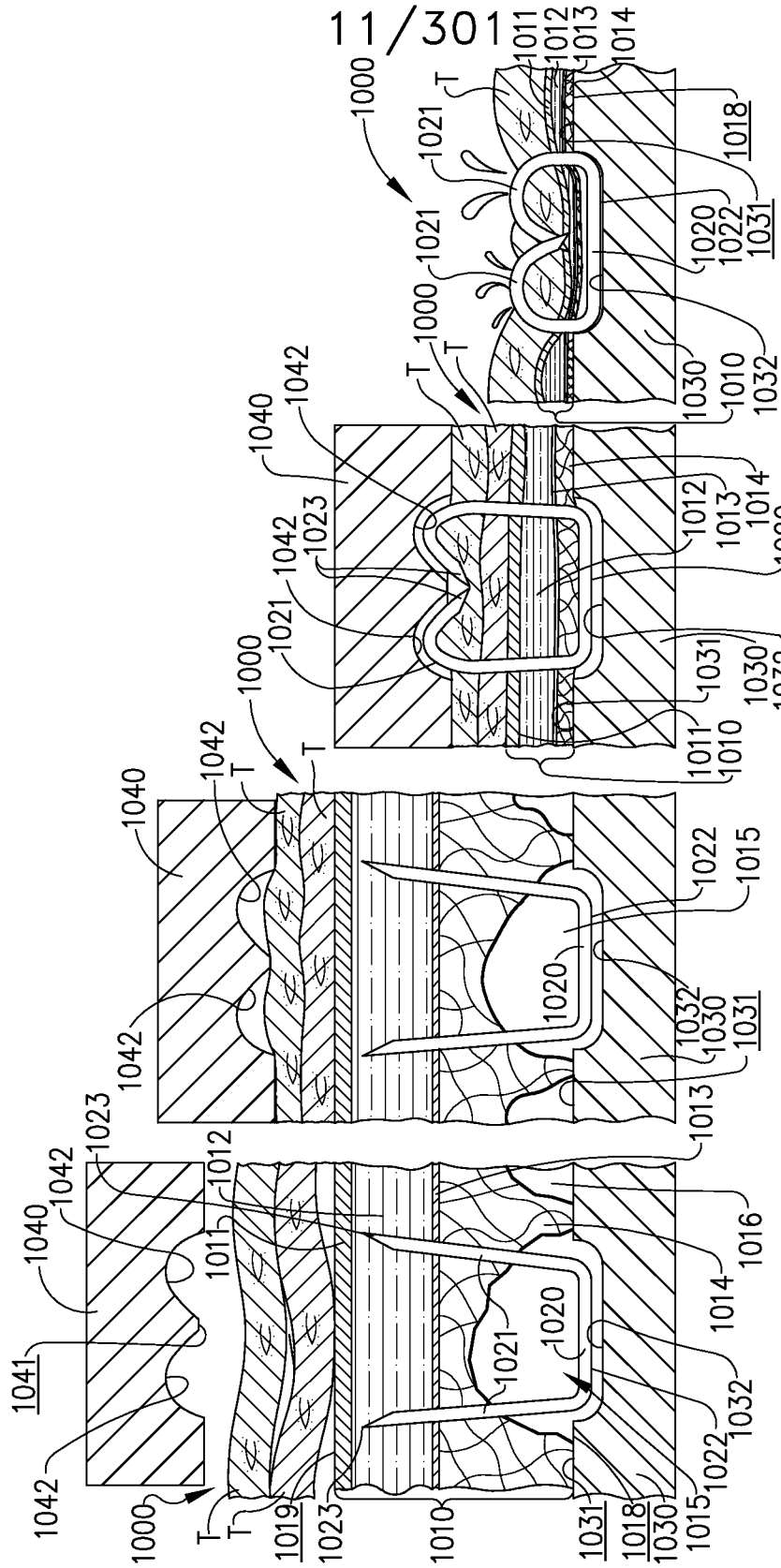


FIG. 17



JAW OPEN JAW CLOSED COMPLETELY FORMED

FIG. 18A FIG. 18B FIG. 18C FIG. 18D

12/301

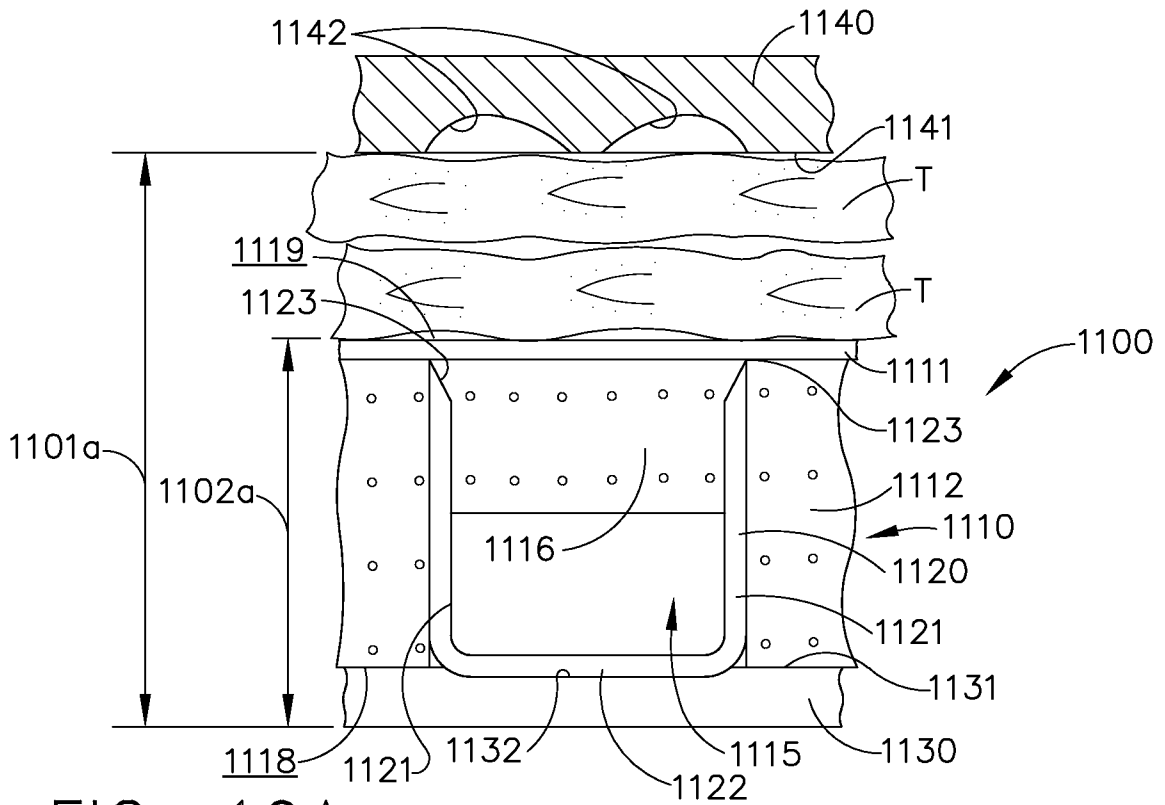


FIG. 19A

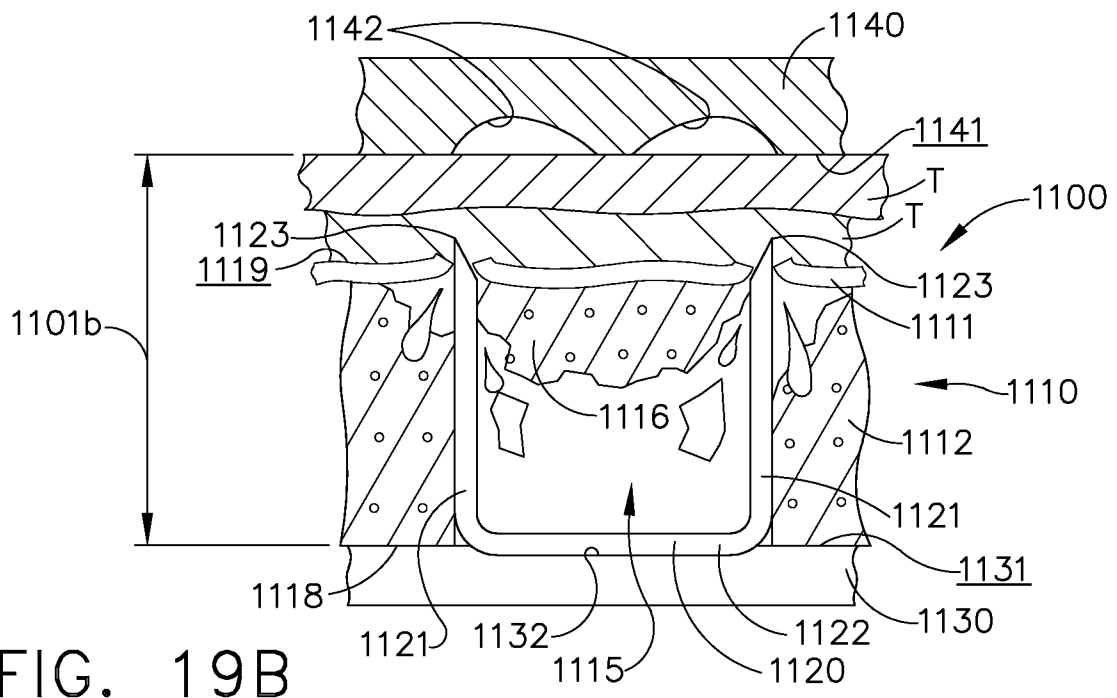


FIG. 19B

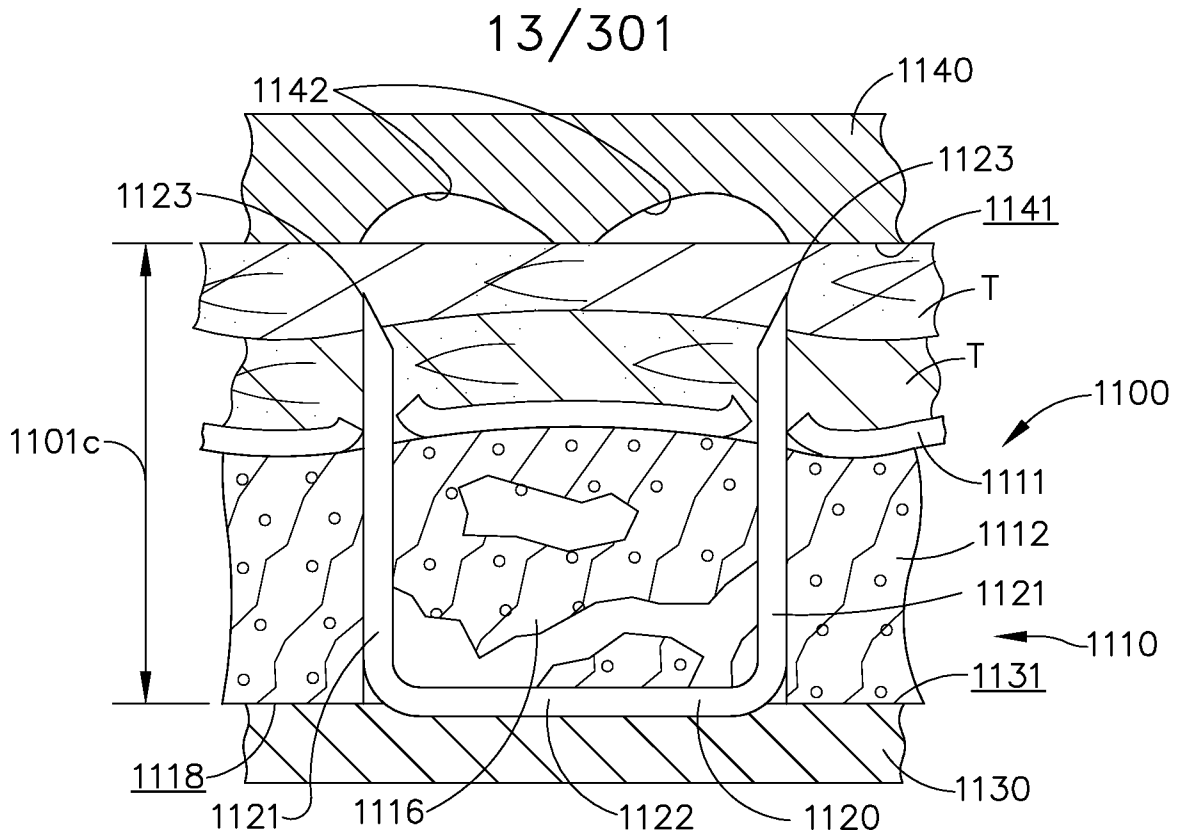


FIG. 19C

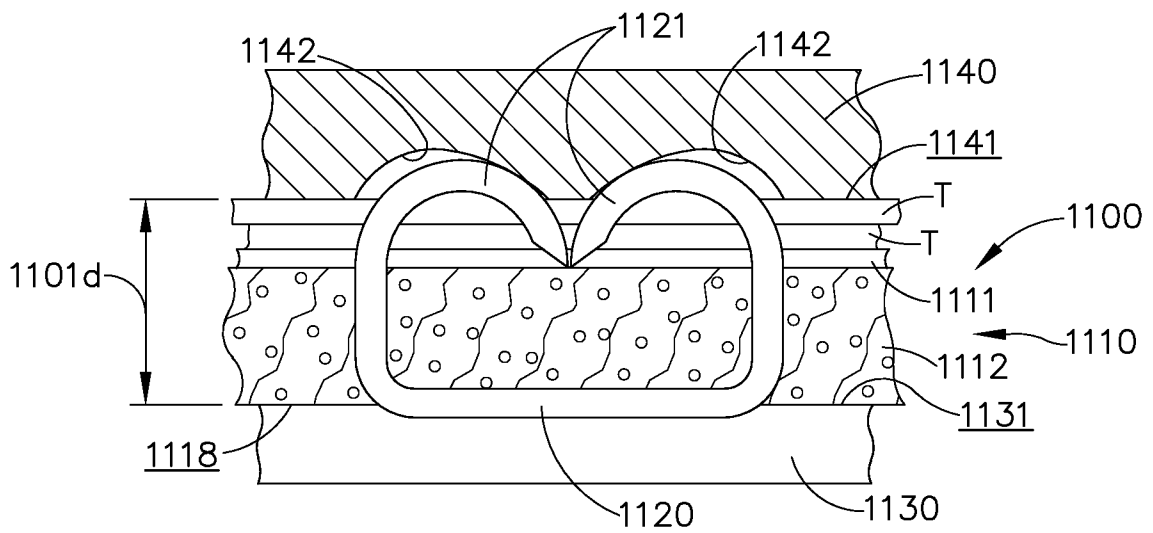


FIG. 19D

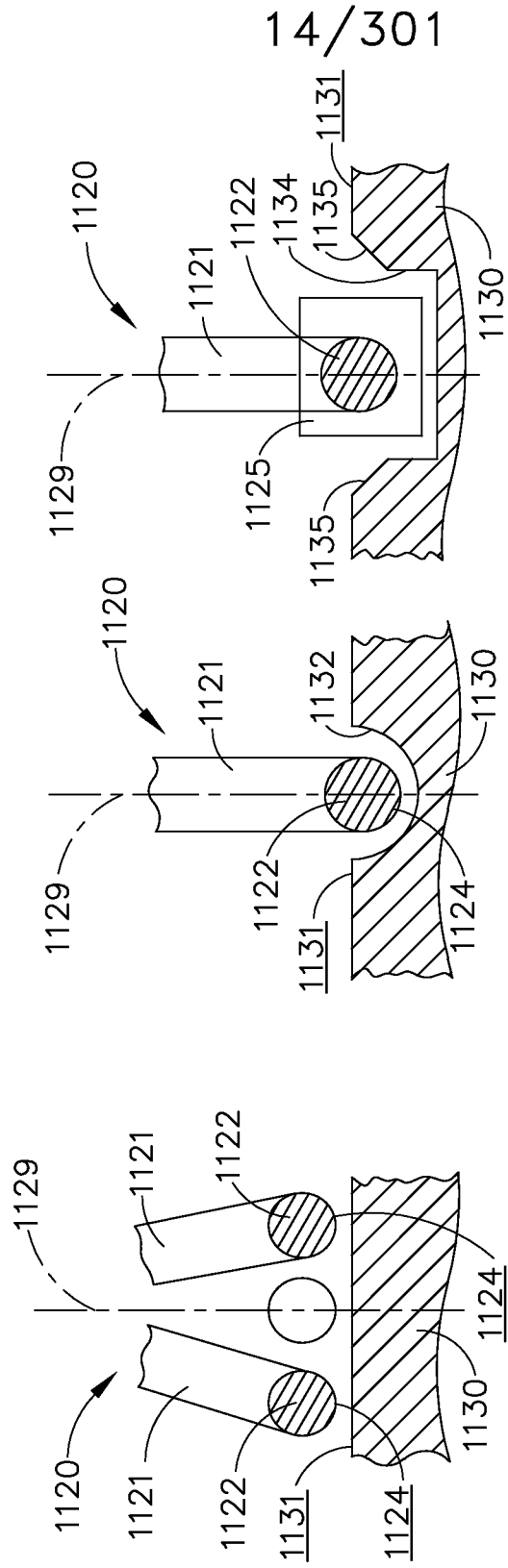


FIG. 20

FIG. 21

FIG. 22

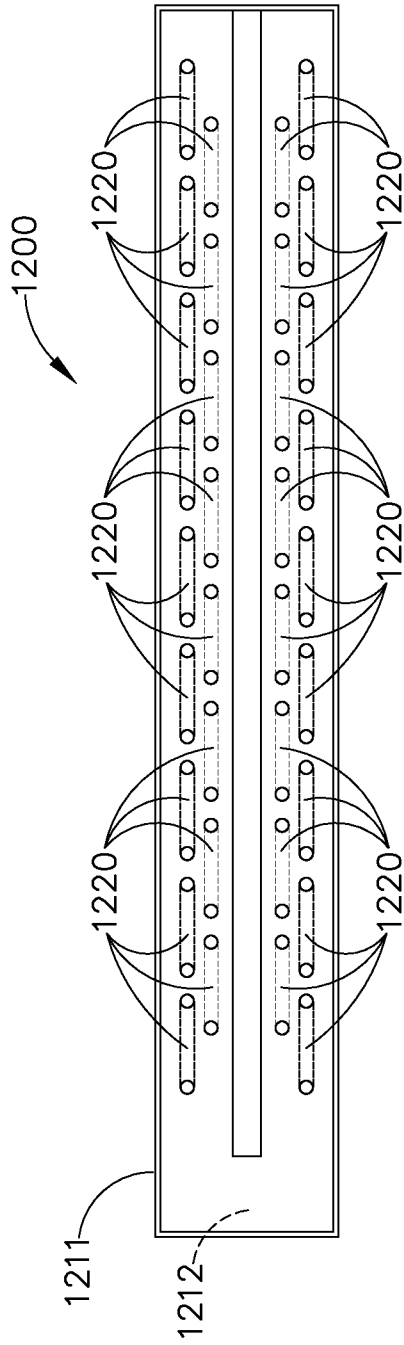


FIG. 23

15/301

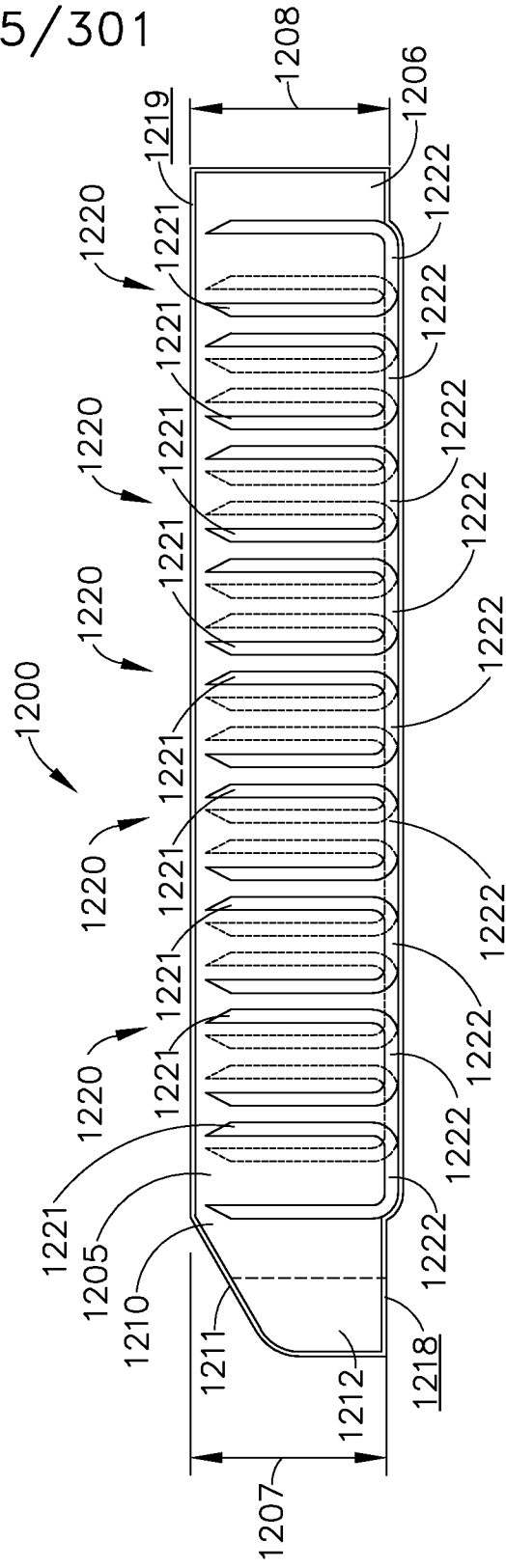


FIG. 24

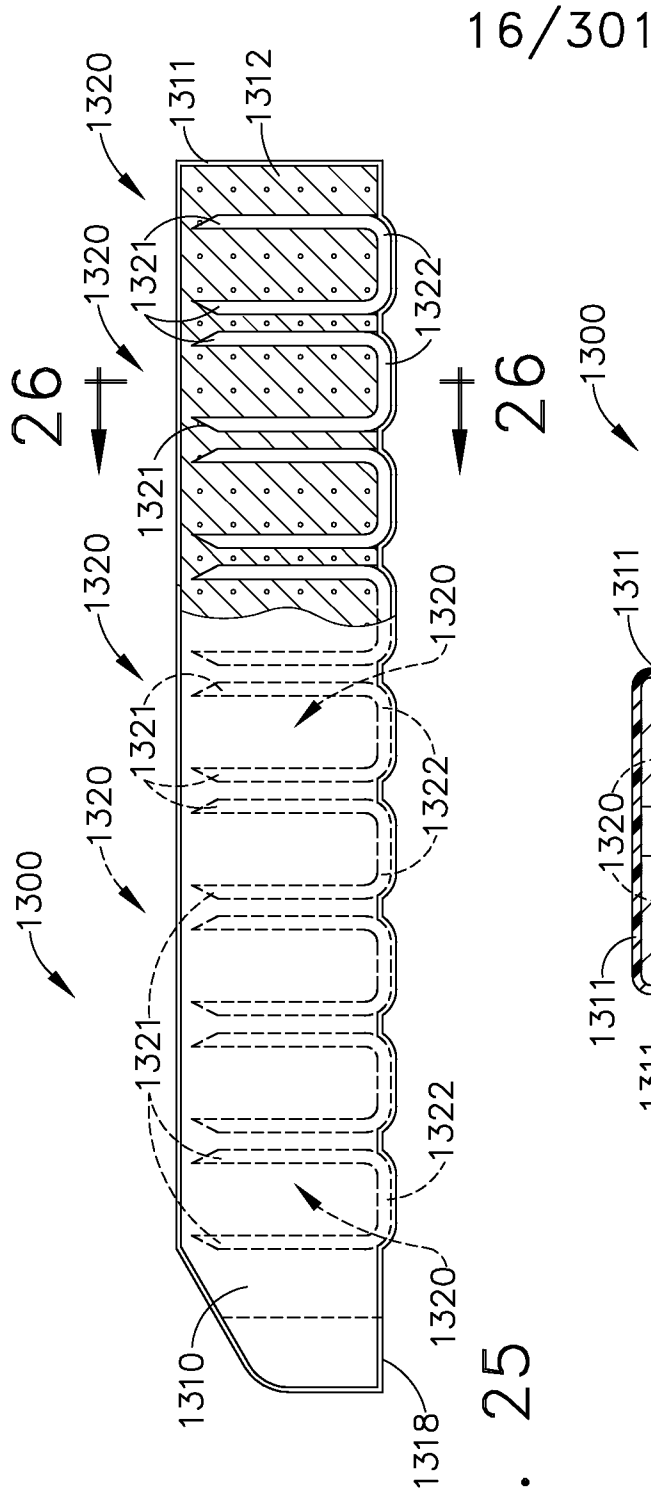


FIG. 25

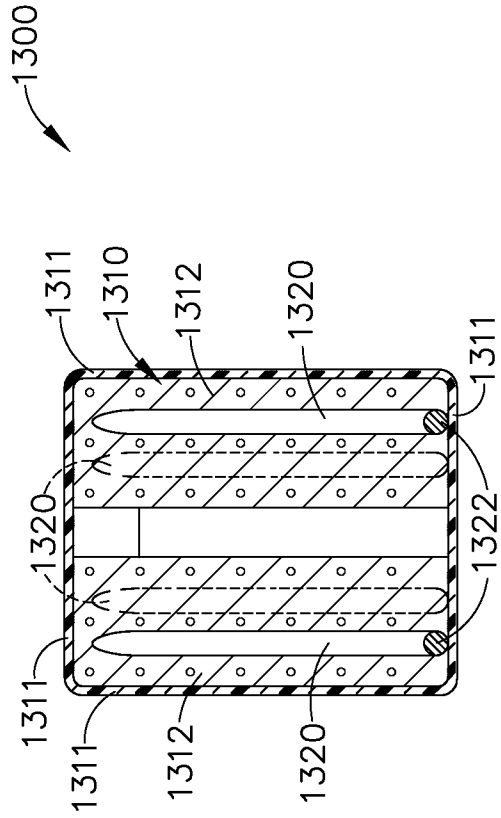


FIG. 26

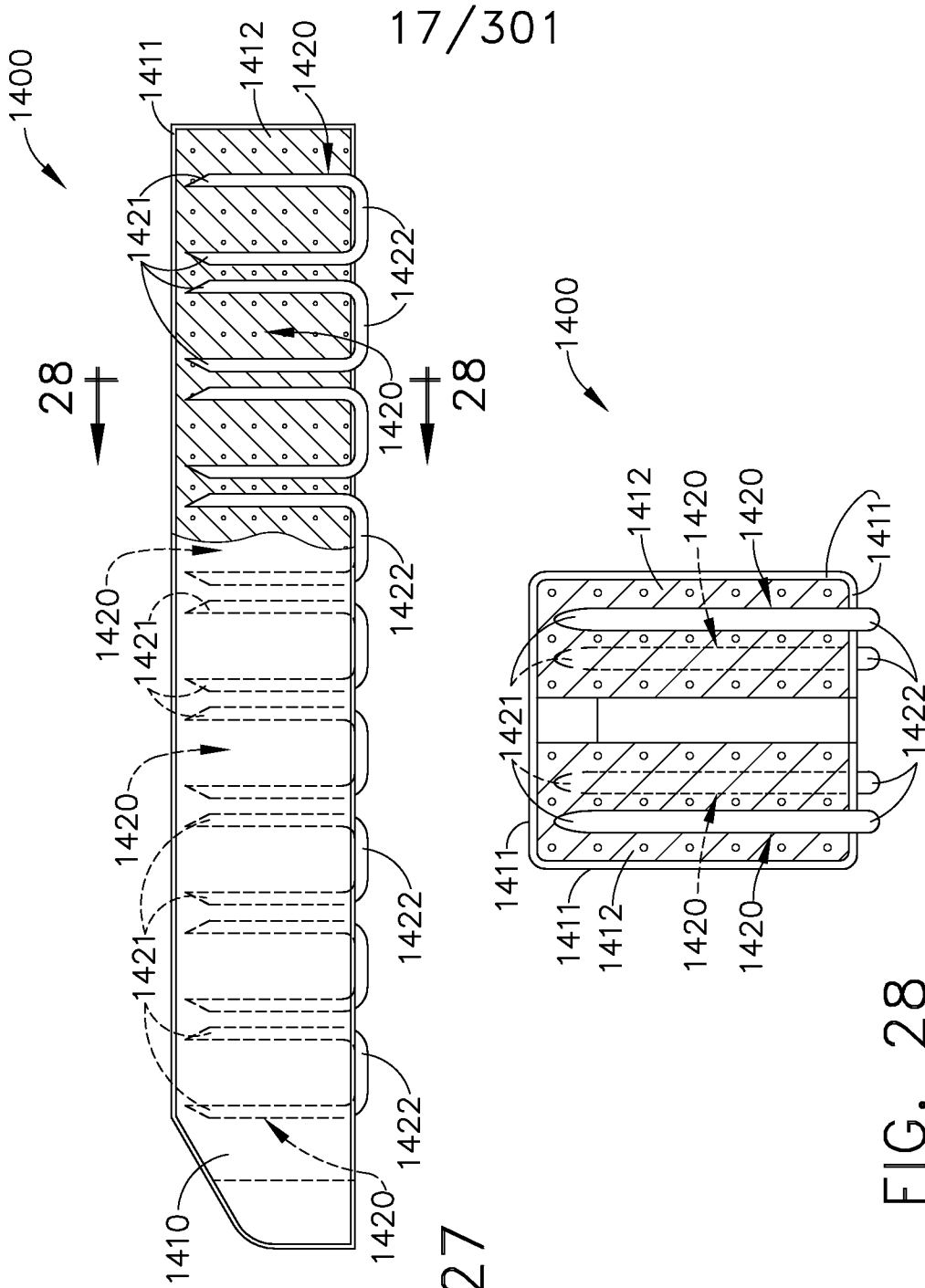


FIG. 27

FIG. 28

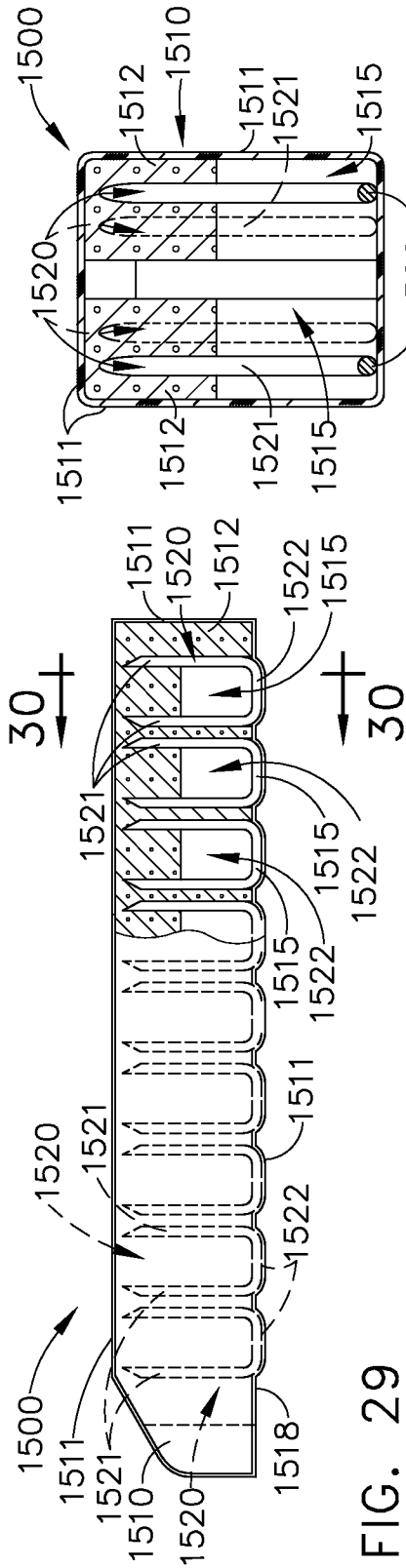


FIG. 30
18/301

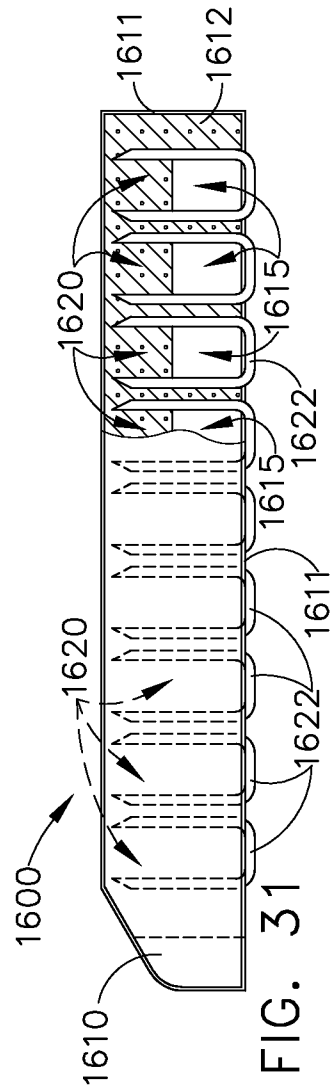


FIG. 29

FIG. 31

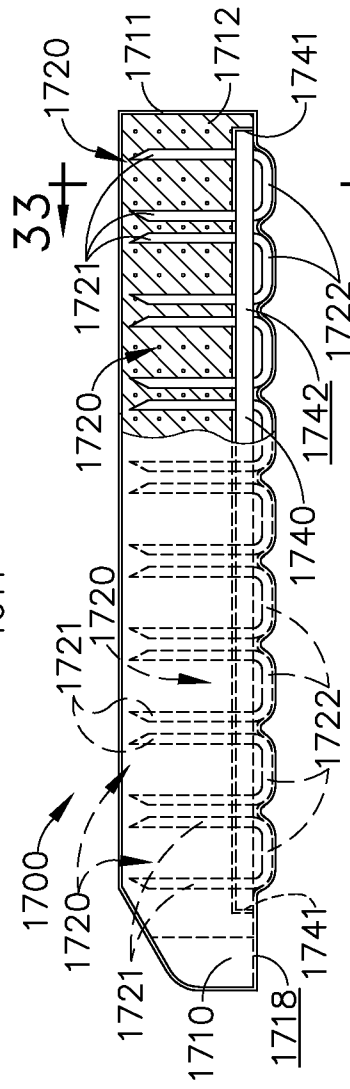


FIG. 32

FIG. 33

19/301

FIG. 34

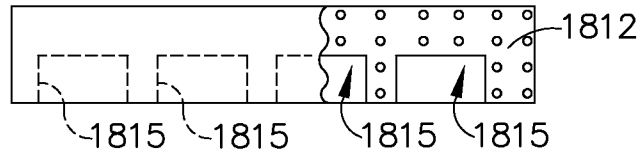


FIG. 35

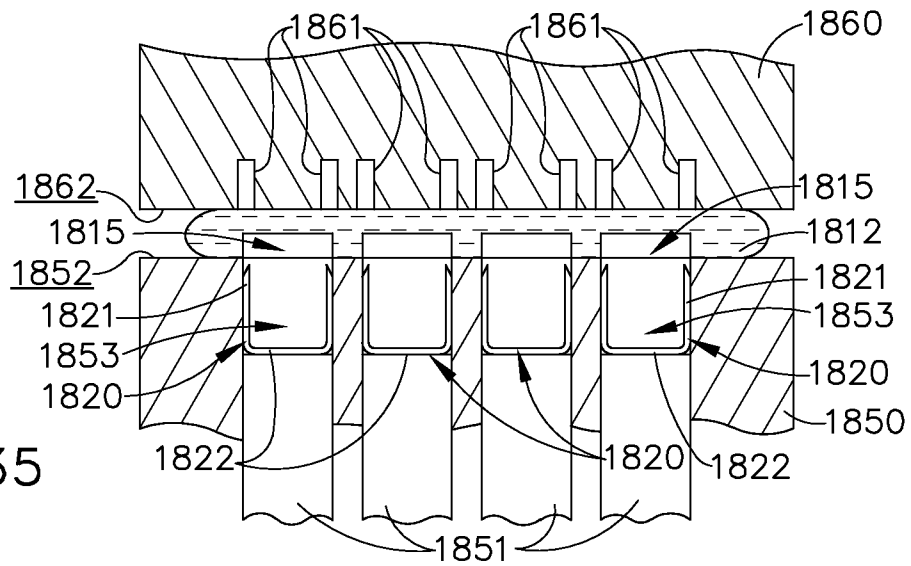
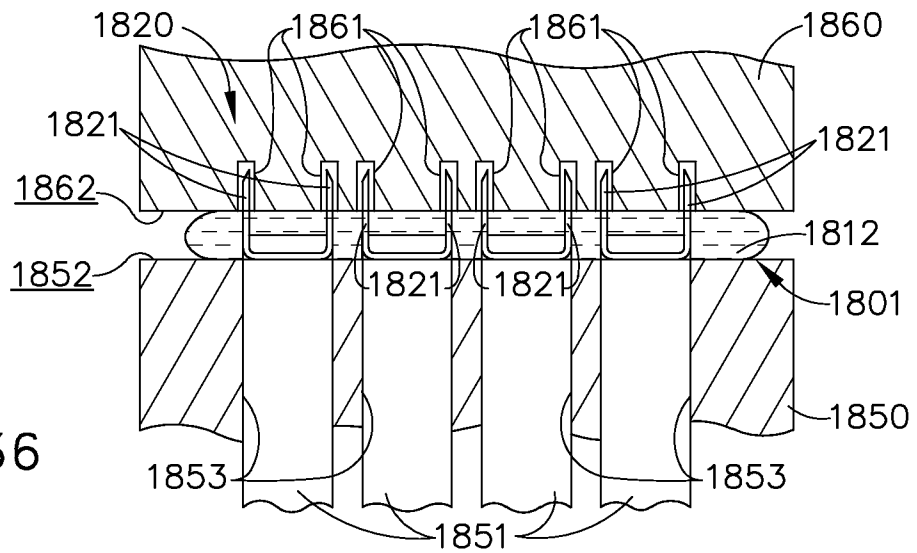


FIG. 36



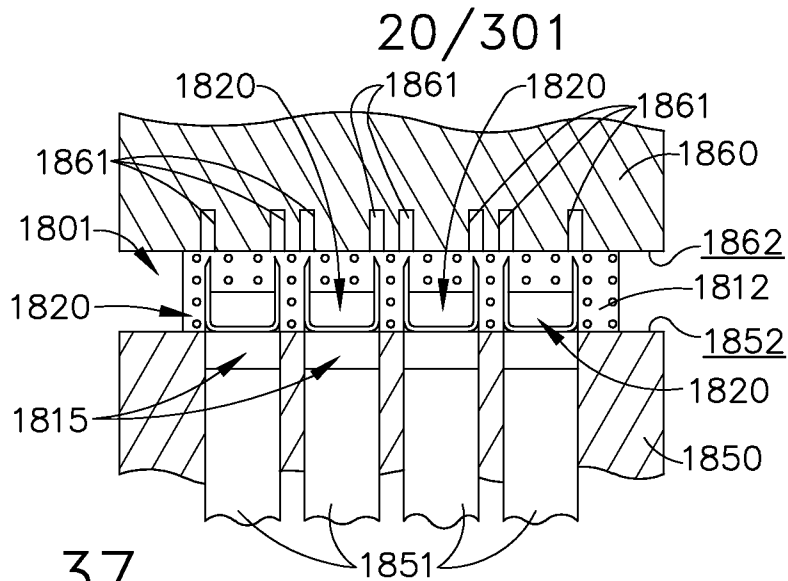


FIG. 37

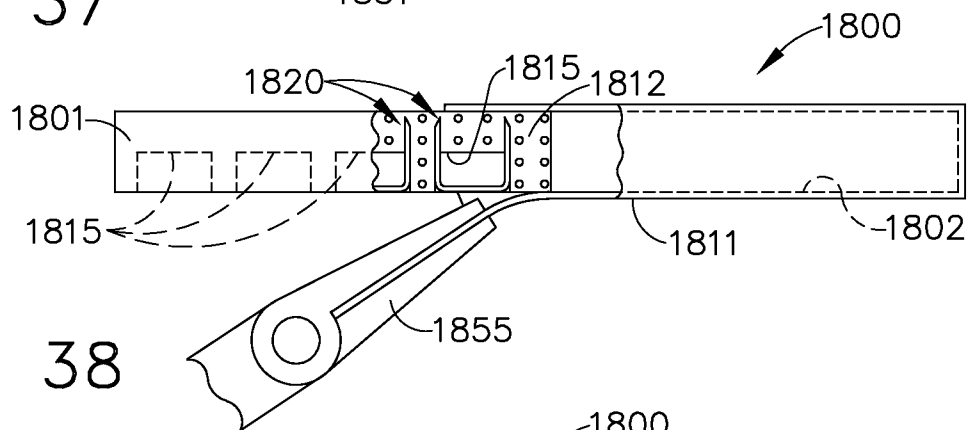


FIG. 38

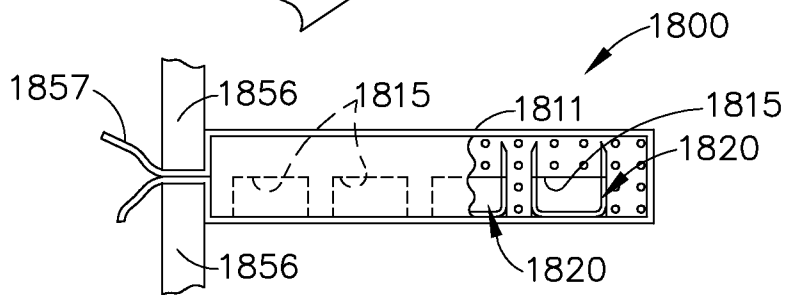


FIG. 39

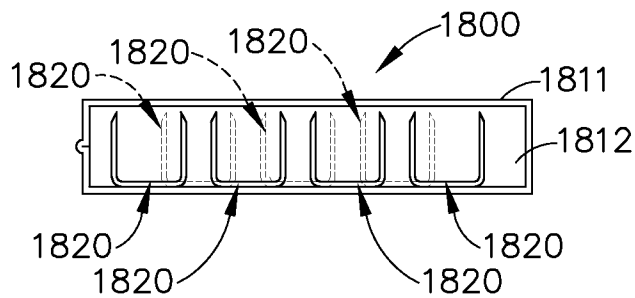


FIG. 40

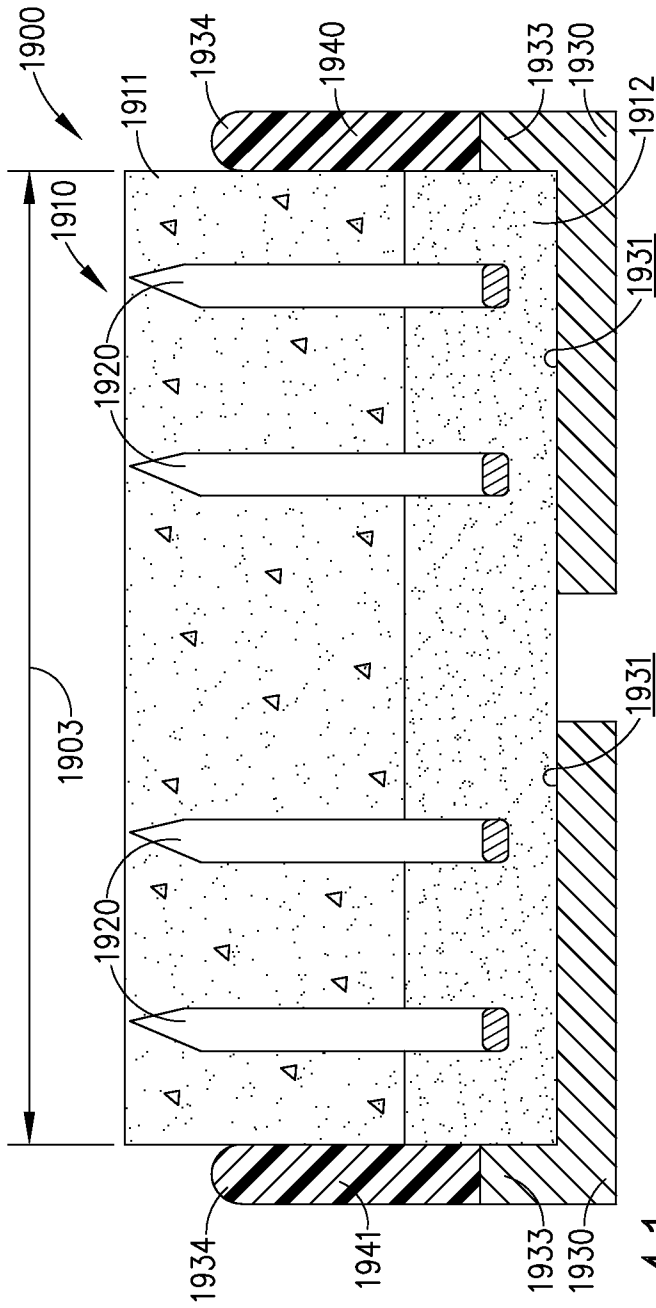


FIG. 41

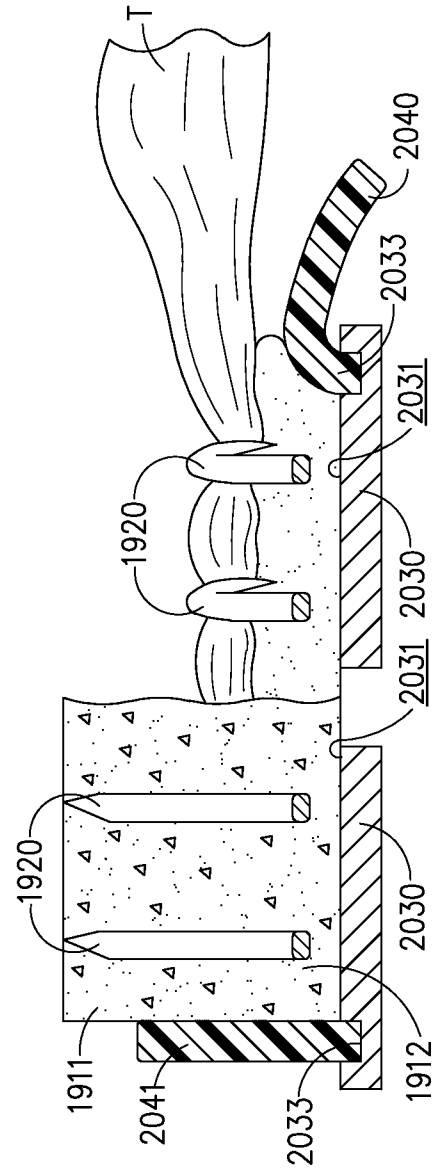


FIG. 42

22/301

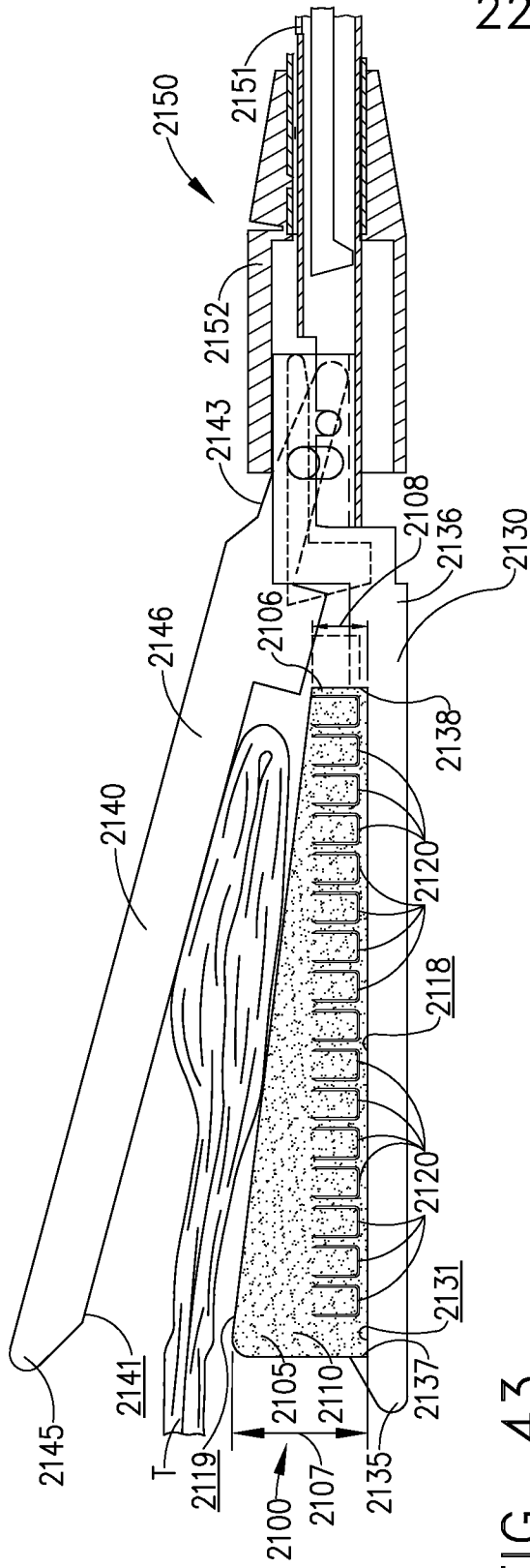


FIG. 43

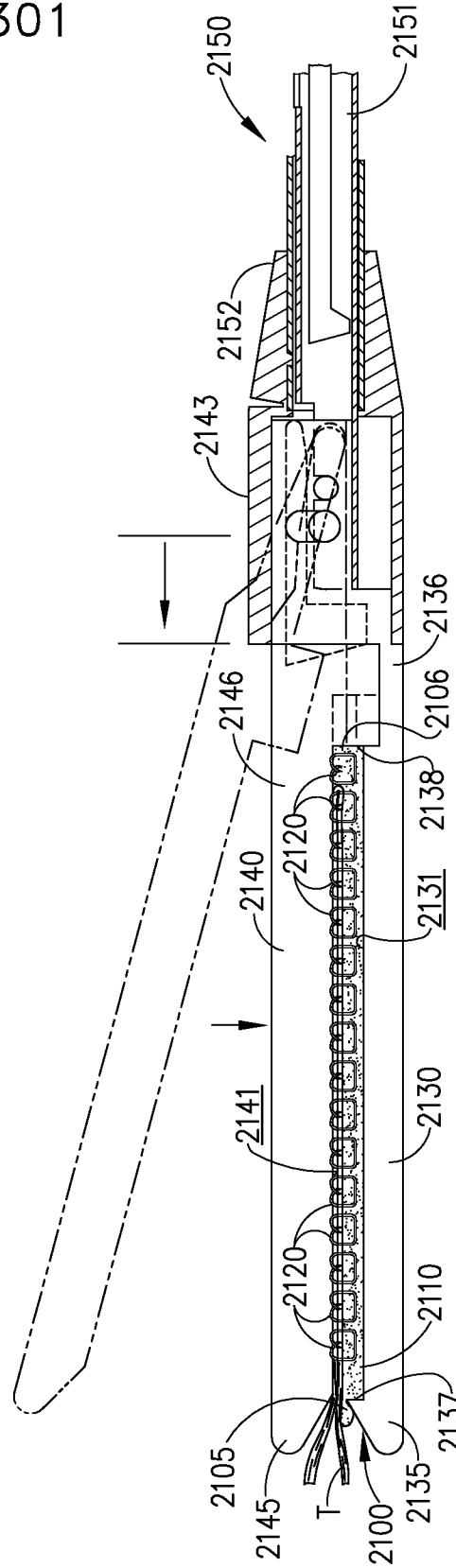


FIG. 44

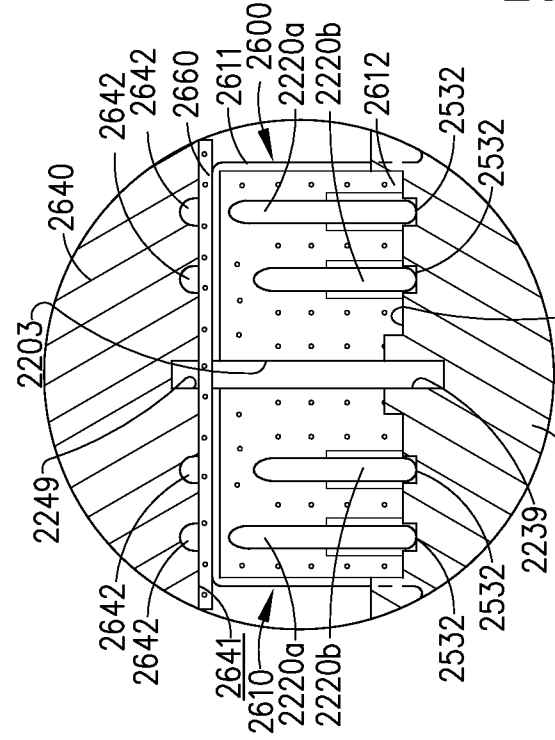


FIG. 51

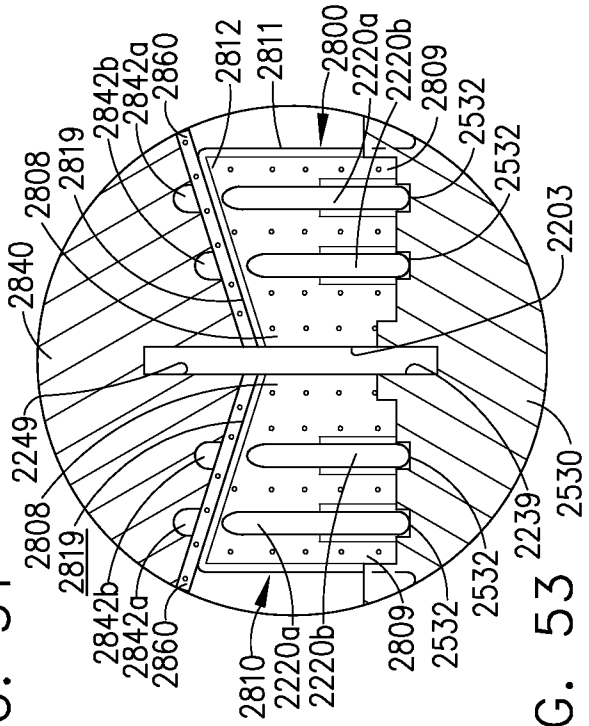


FIG. 53

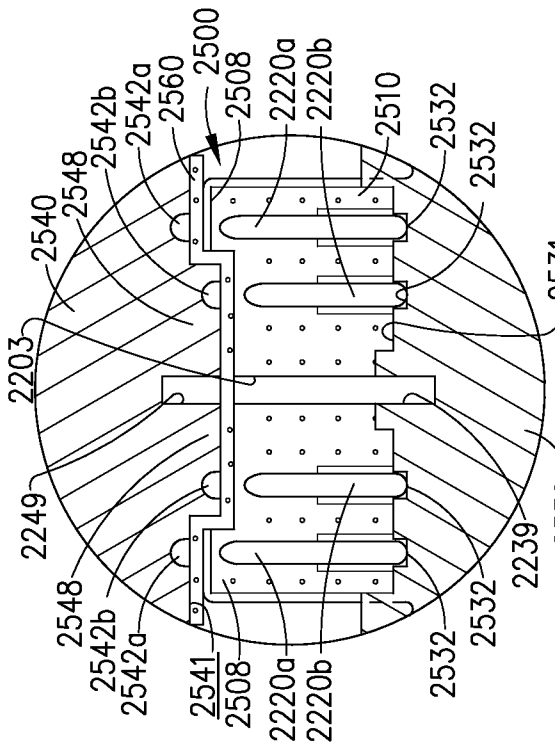


FIG. 50

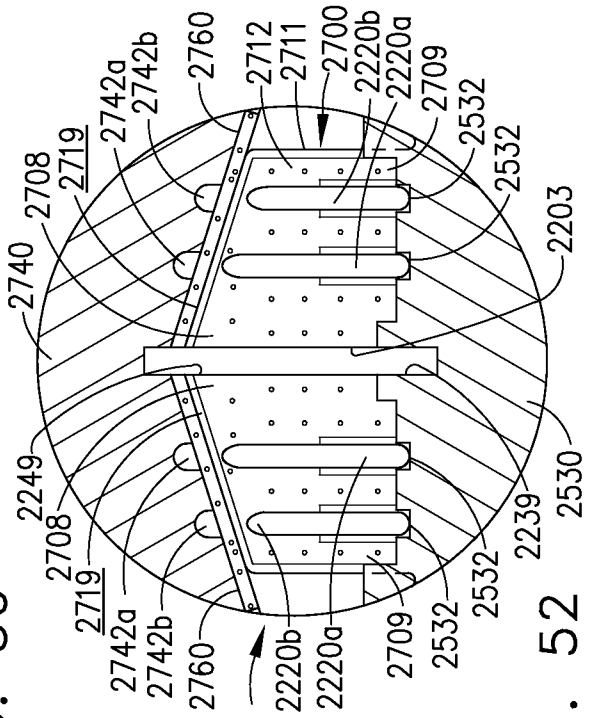


FIG. 52

26/301

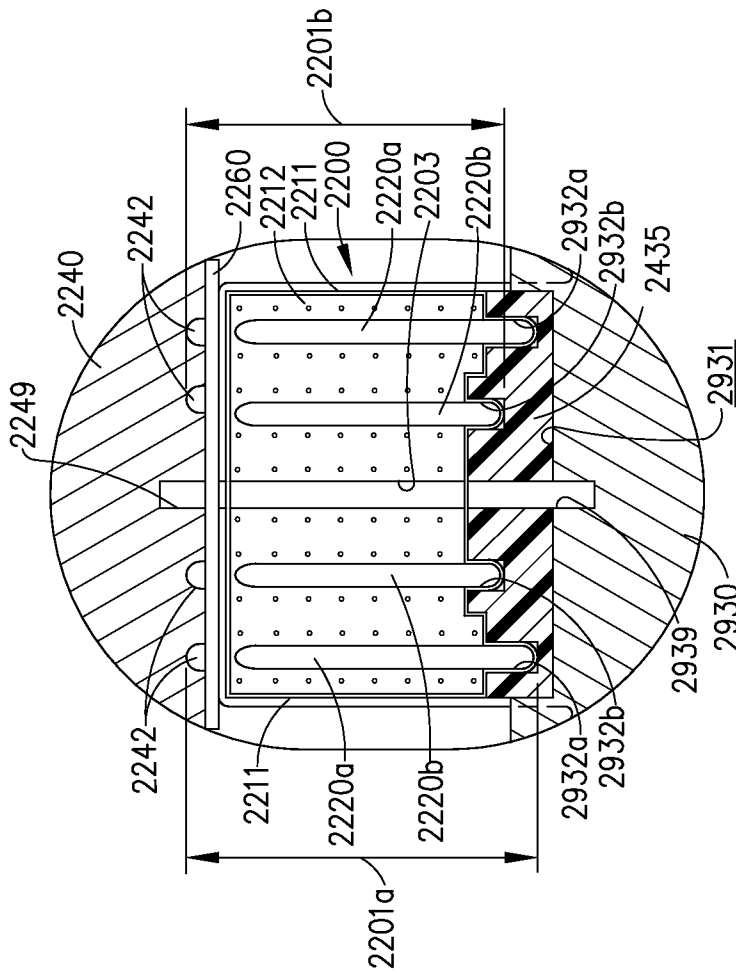


FIG. 54

27/301

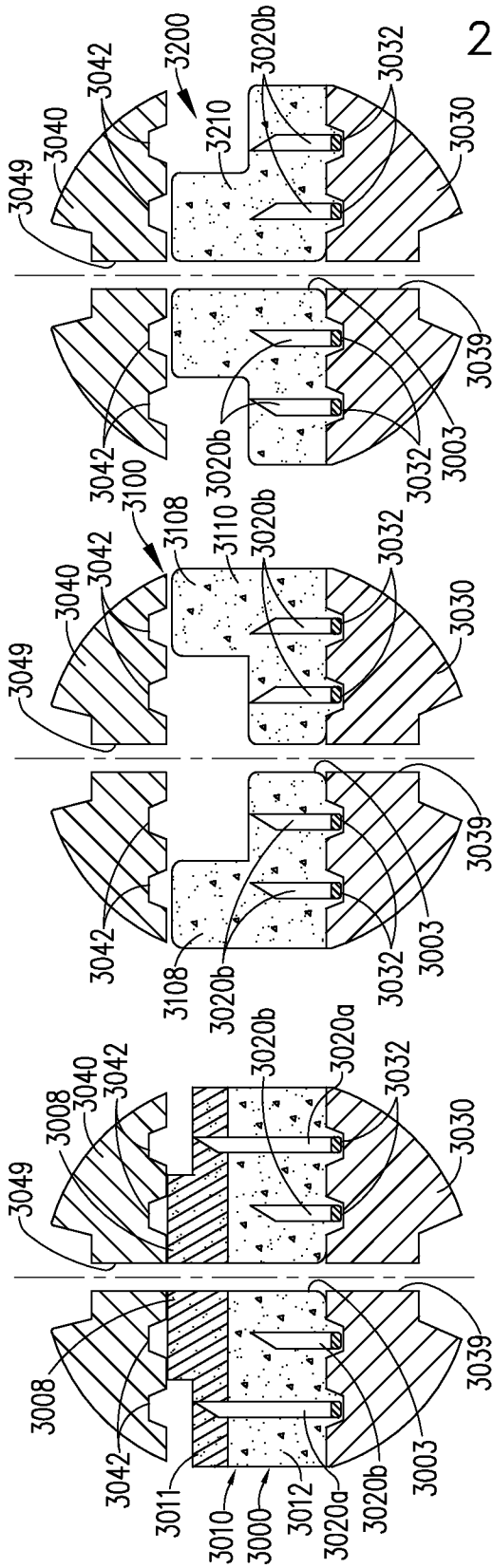


FIG. 57

FIG. 56

FIG. 55

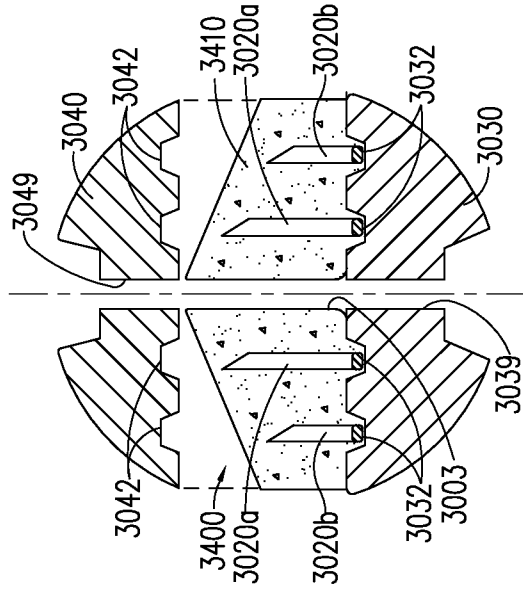


FIG. 59

FIG. 58

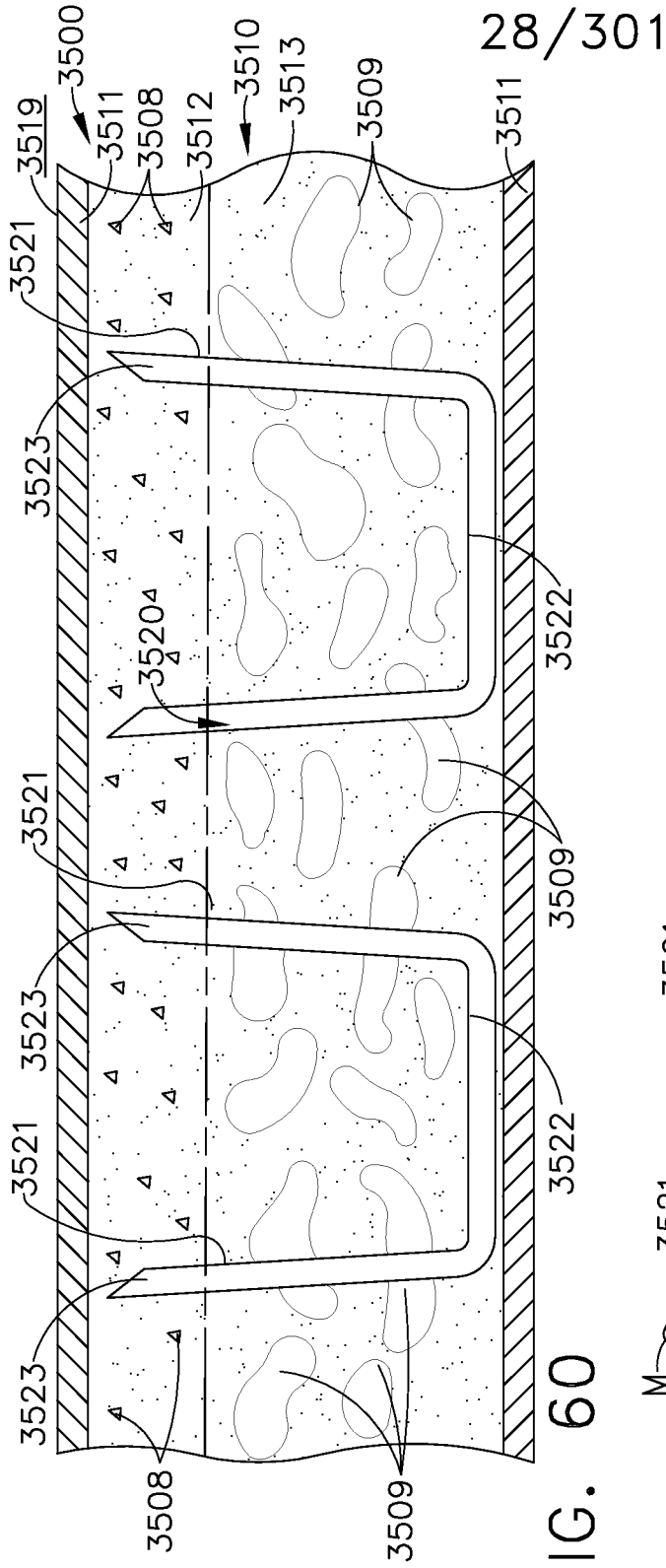
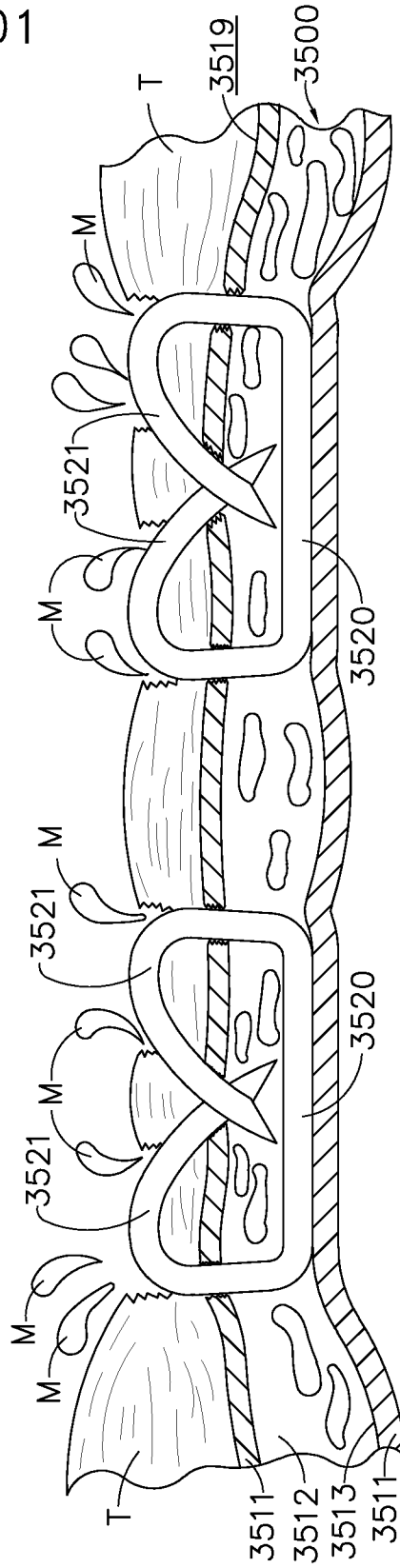


FIG. 60



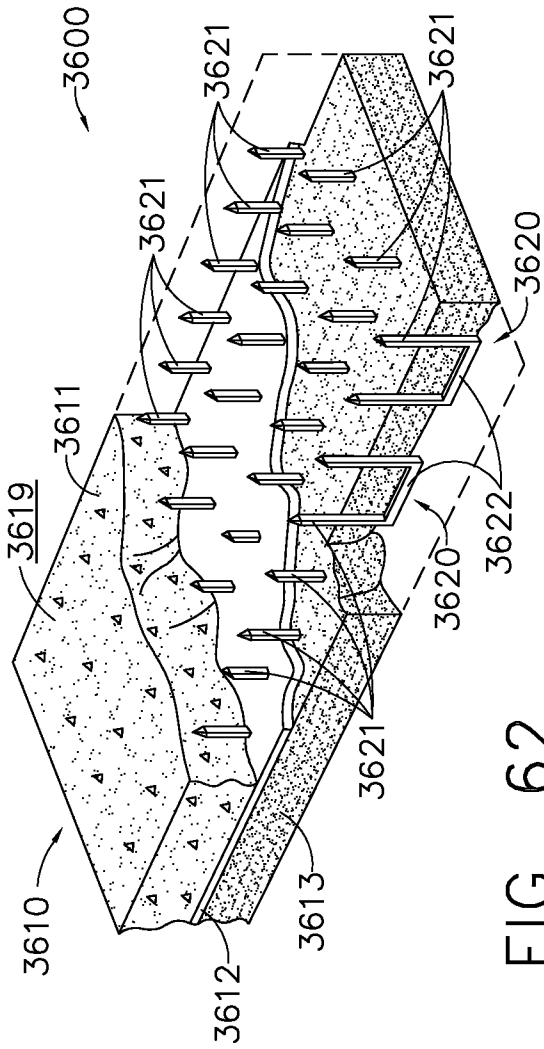


FIG. 62

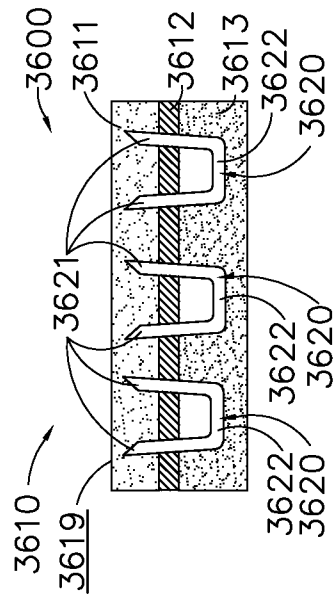


FIG. 63

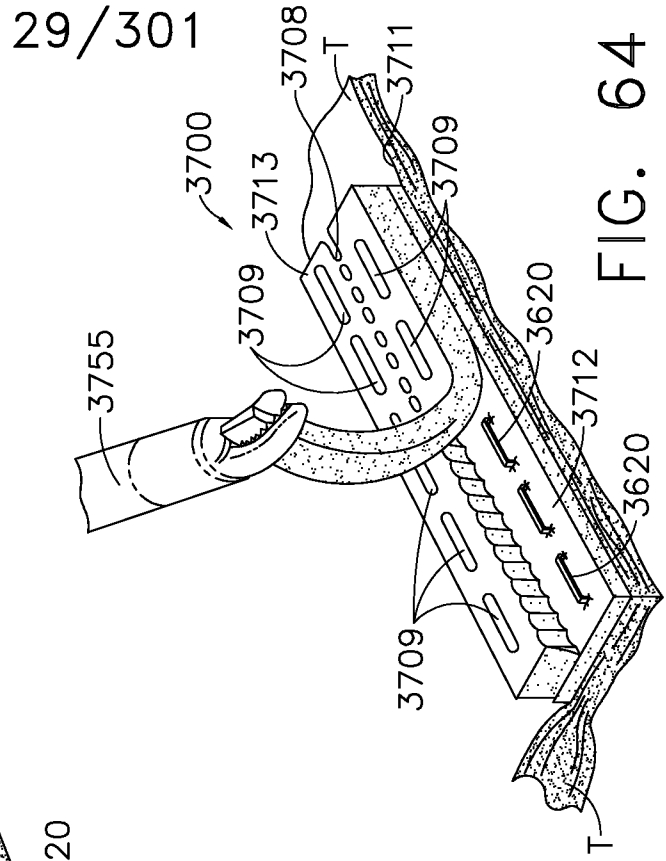


FIG. 64

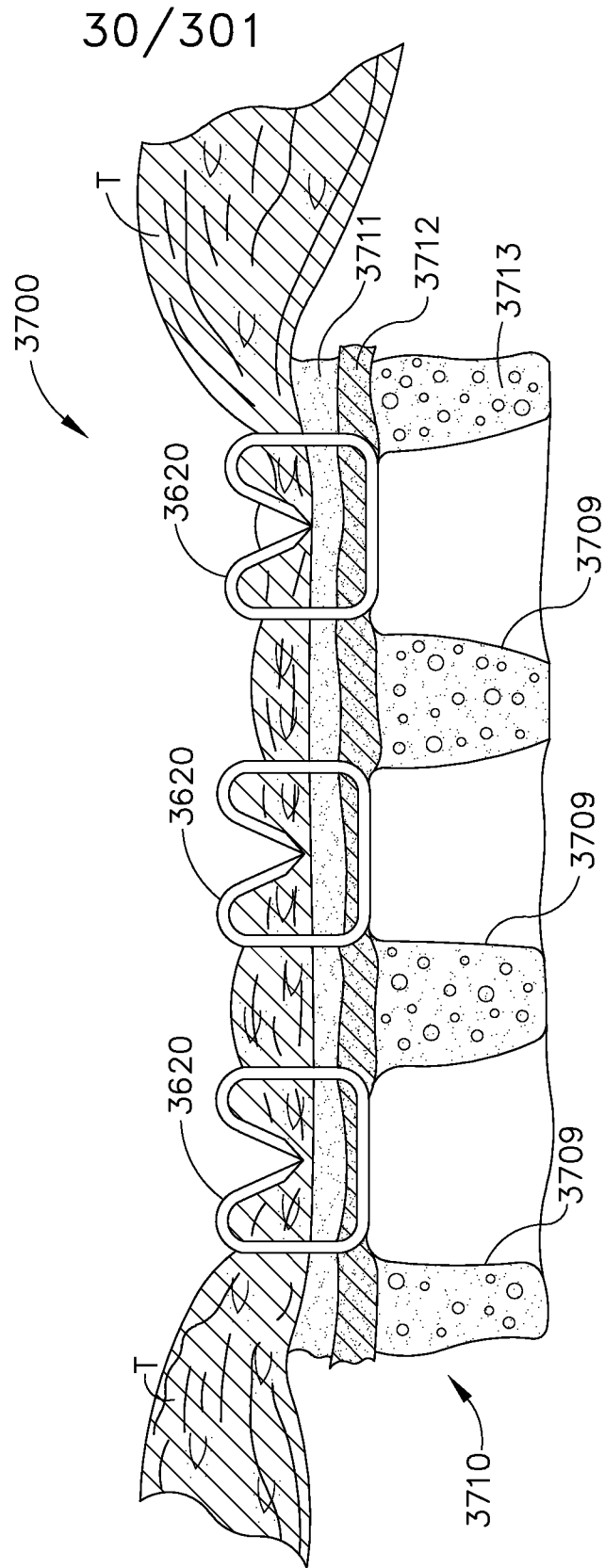


FIG. 65

31/301

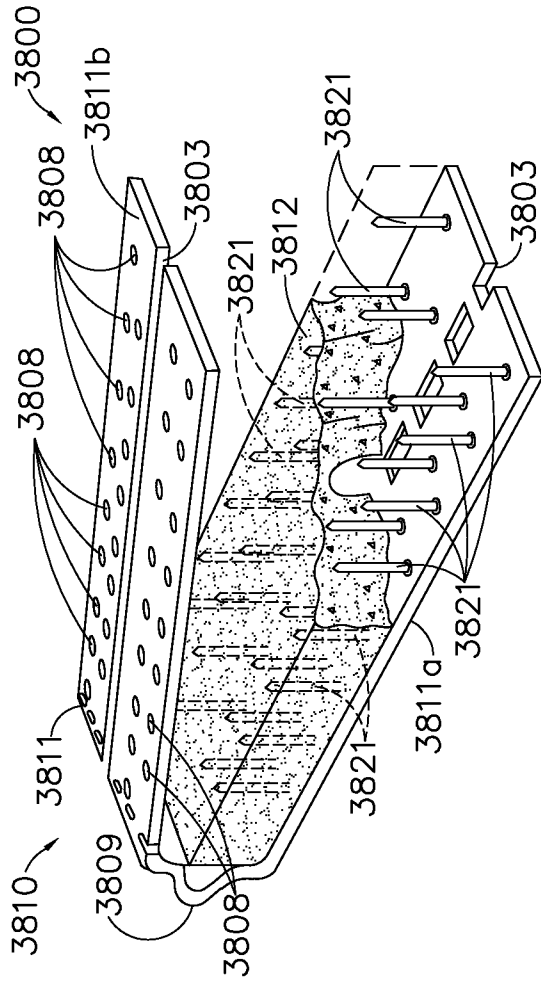


FIG. 66

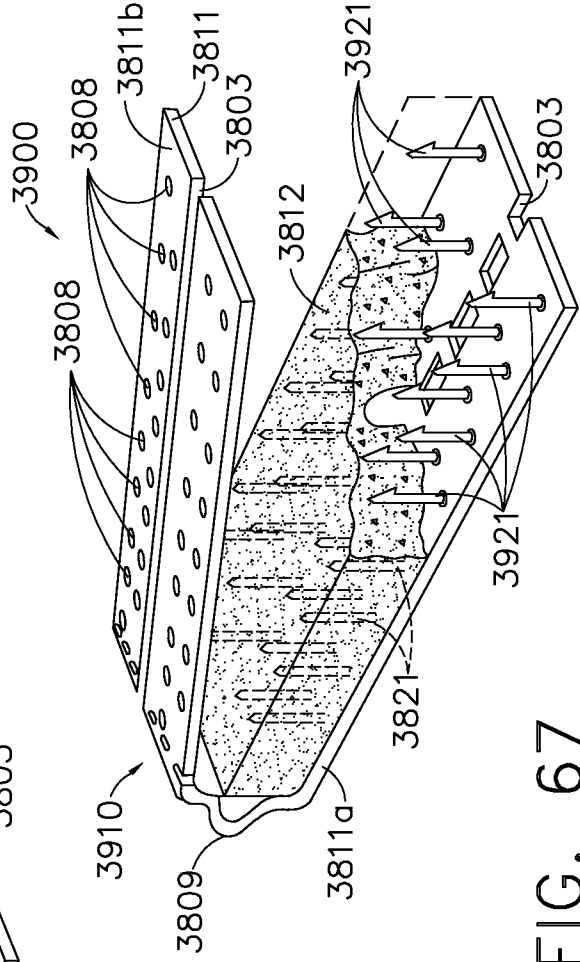
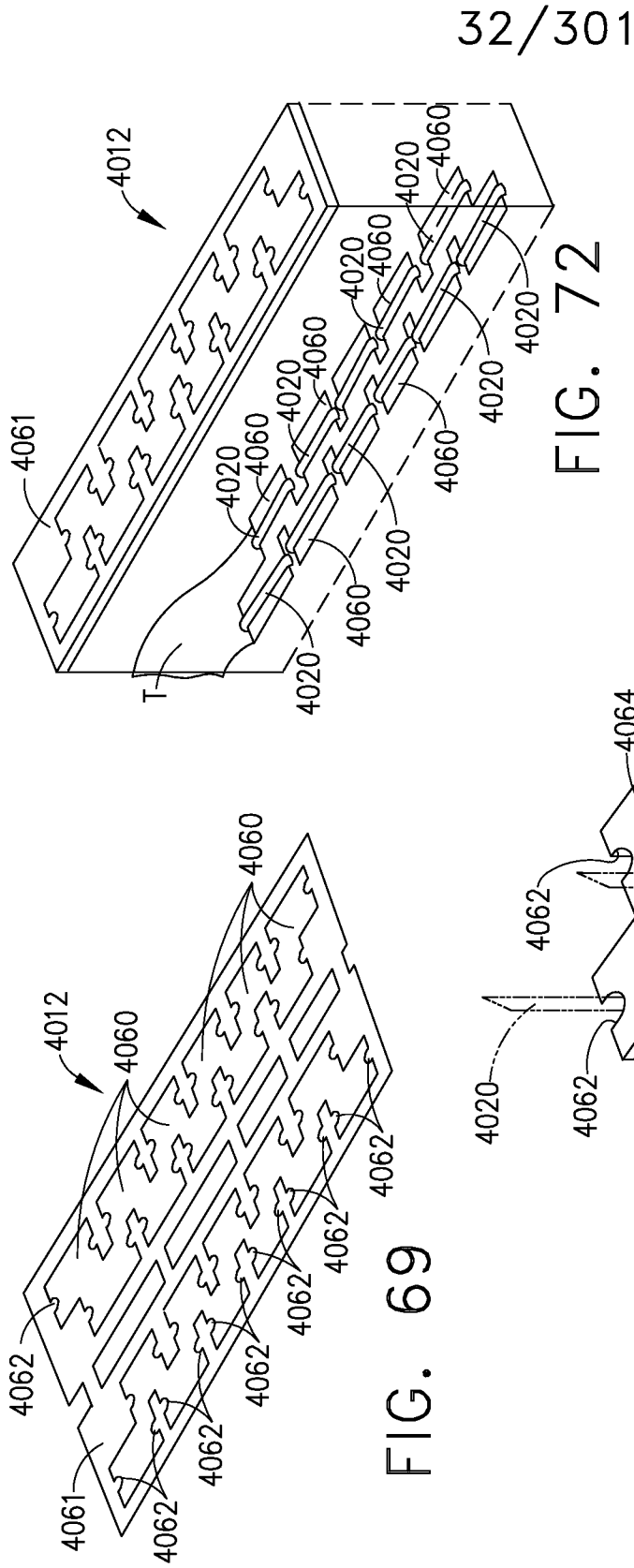


FIG. 67



32/301

FIG. 72

FIG. 71

FIG. 68

FIG. 70

FIG. 69

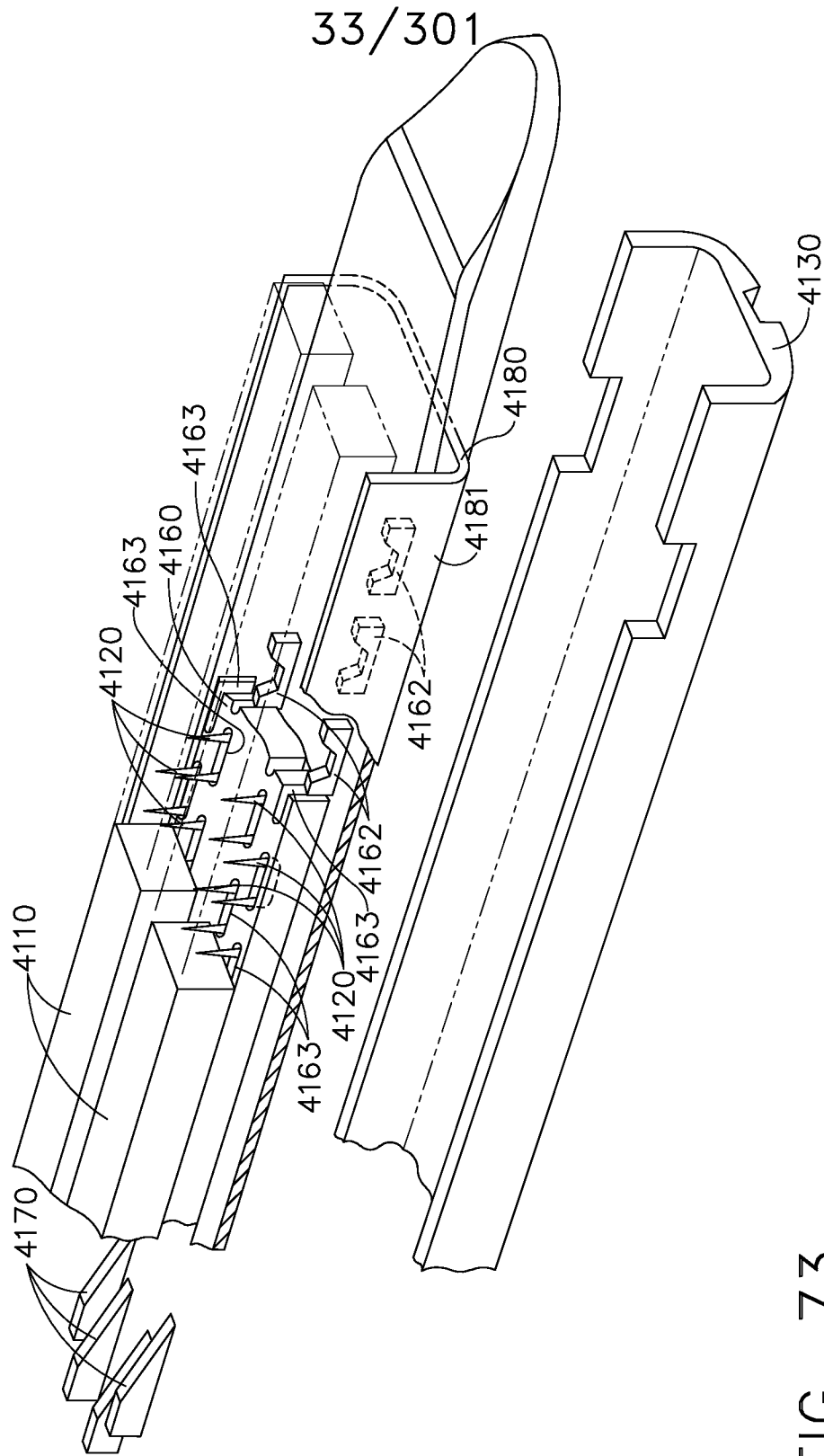


FIG. 73

34/301

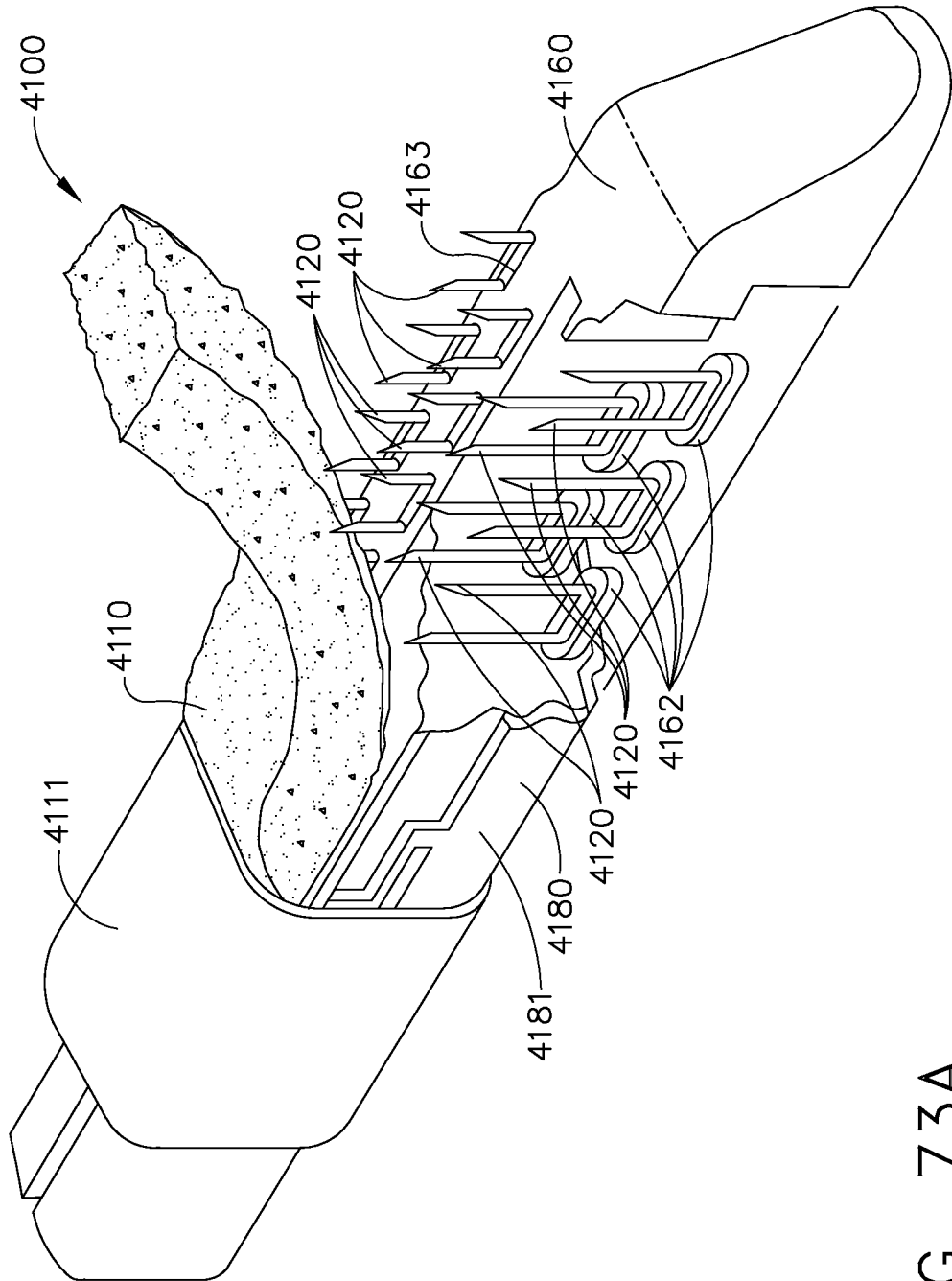


FIG. 73A

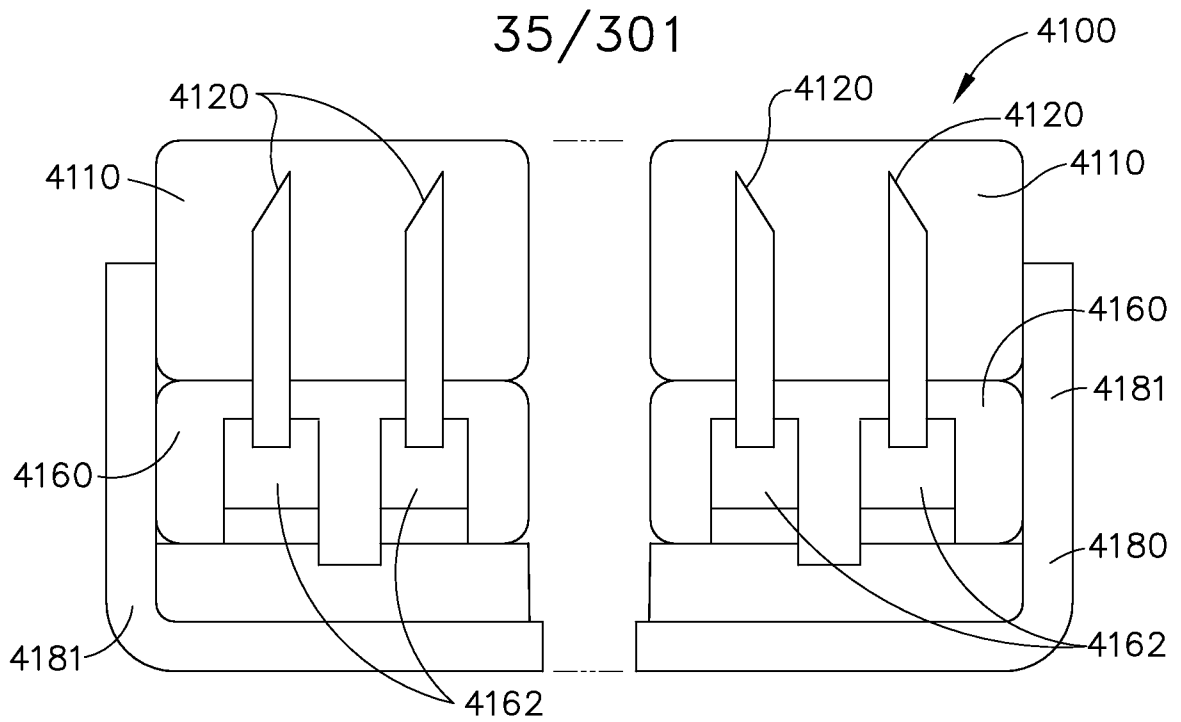


FIG. 74



FIG. 75

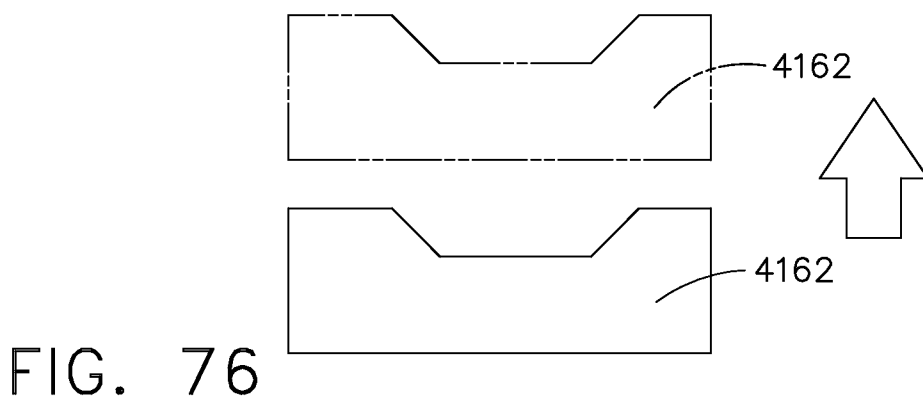


FIG. 76

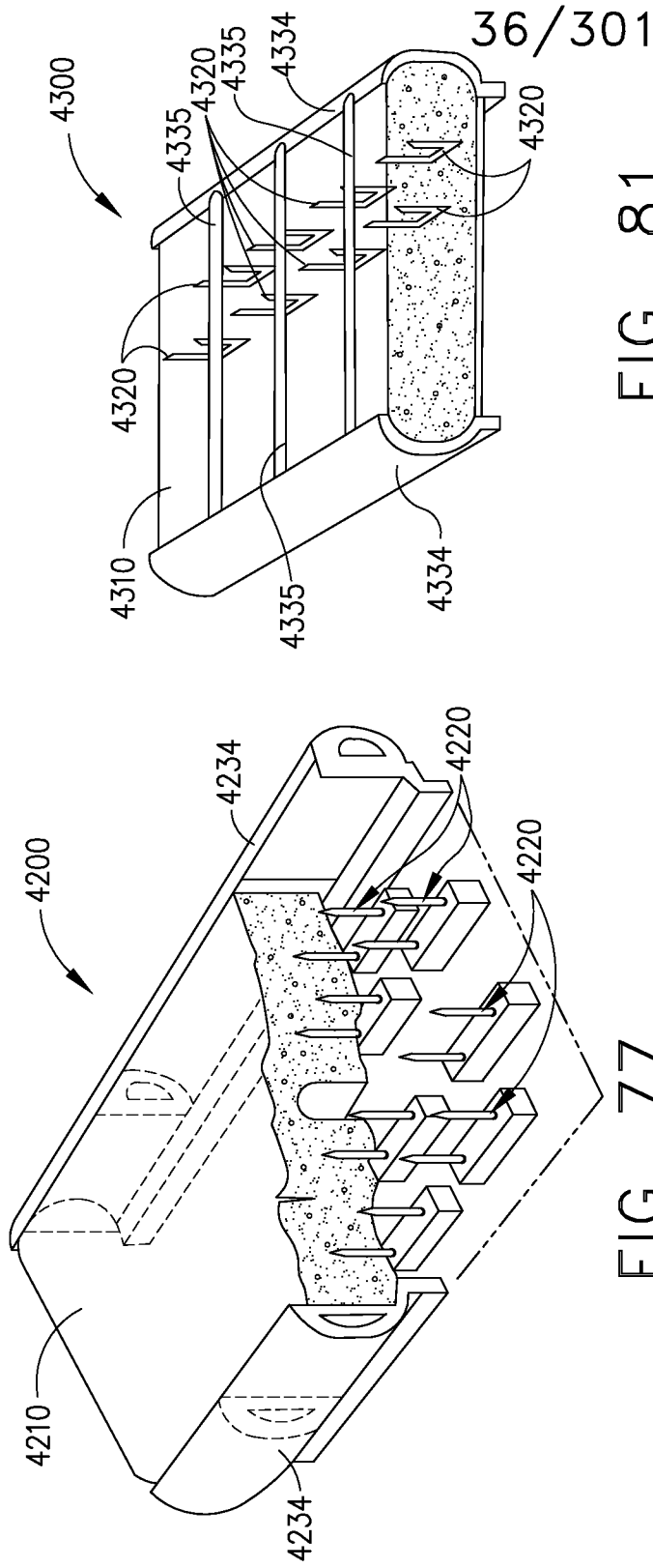


FIG. 77

FIG. 81

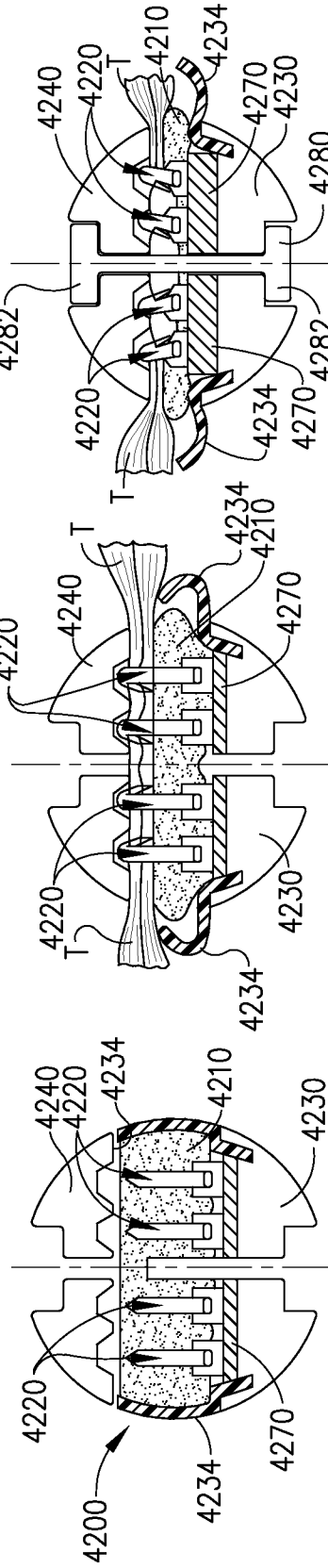


FIG. 78

FIG. 79

FIG. 80

37/301

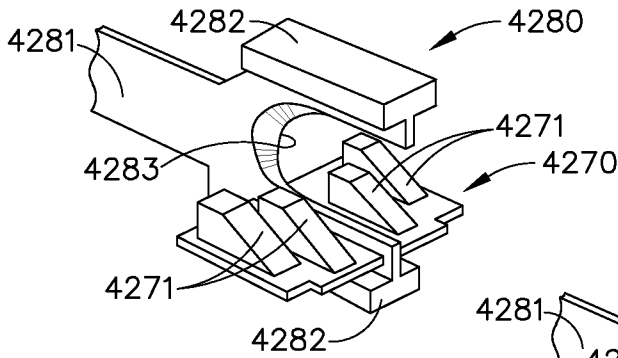


FIG. 82

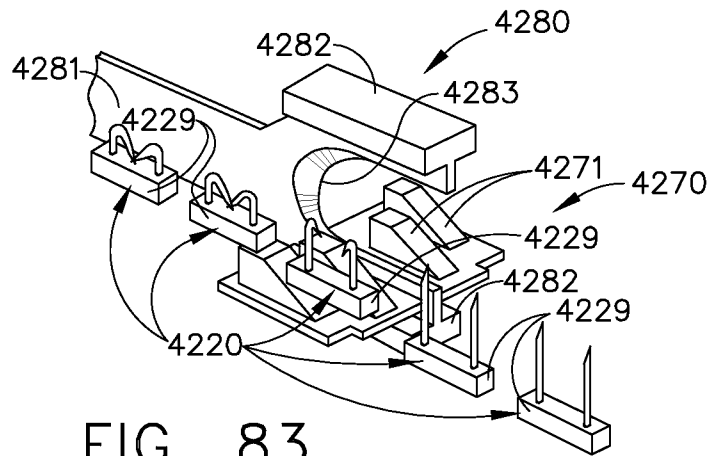


FIG. 83

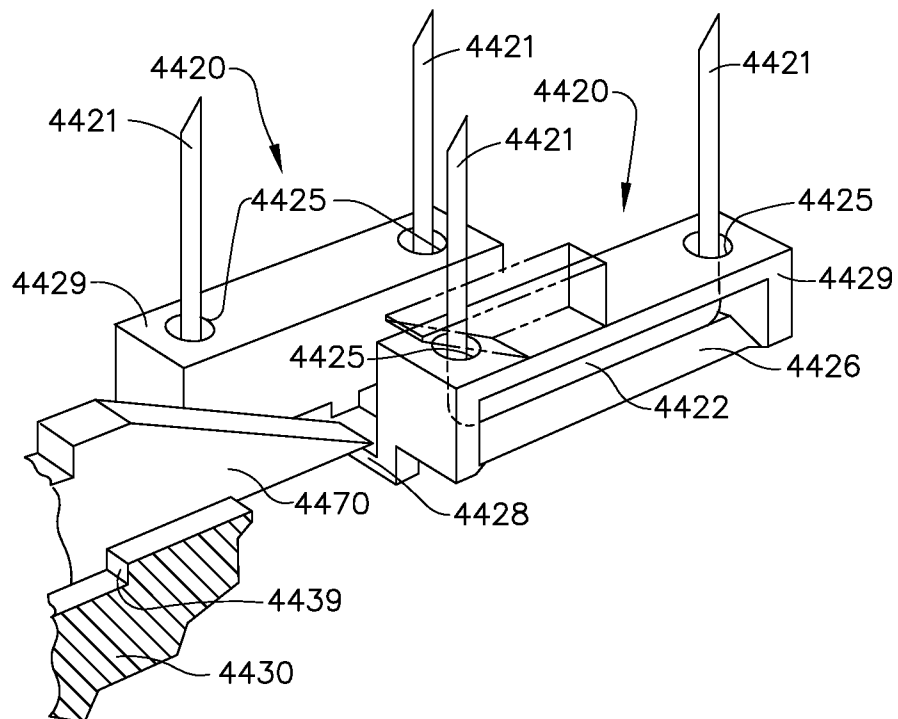


FIG. 84

38/301

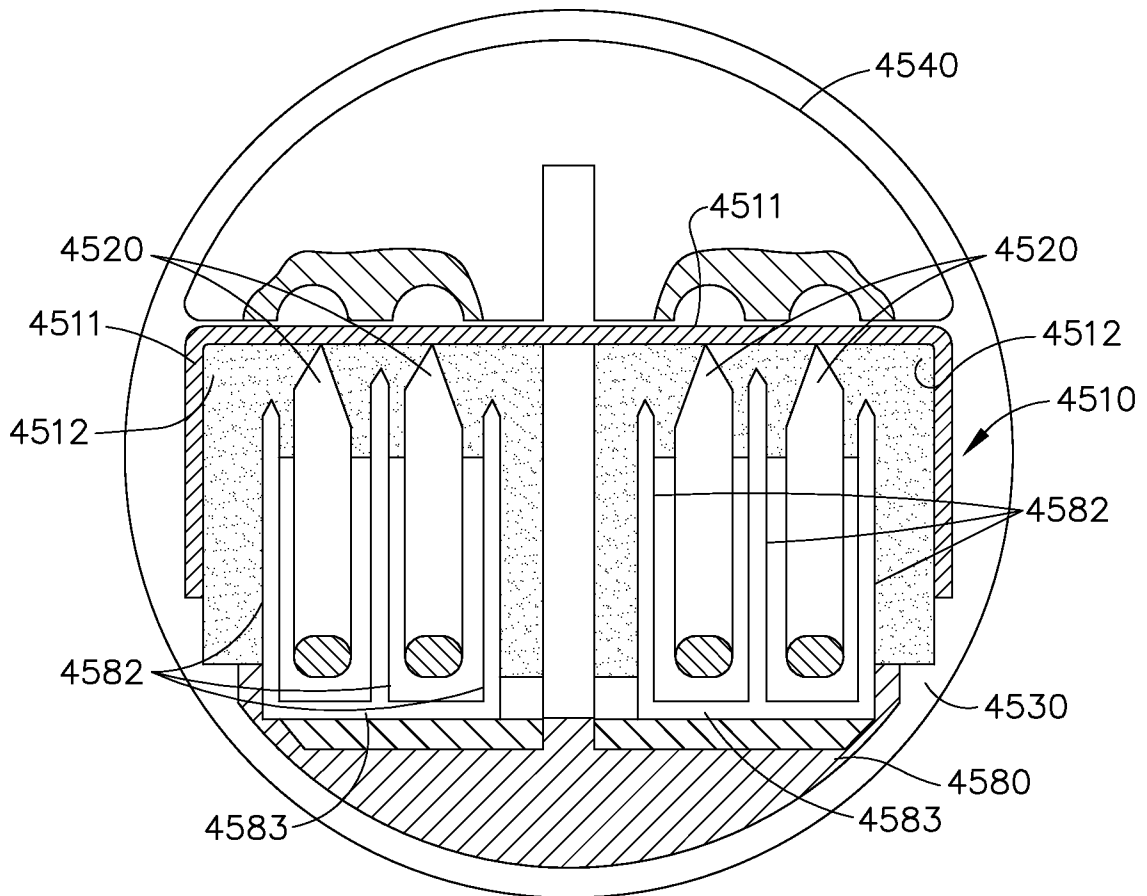
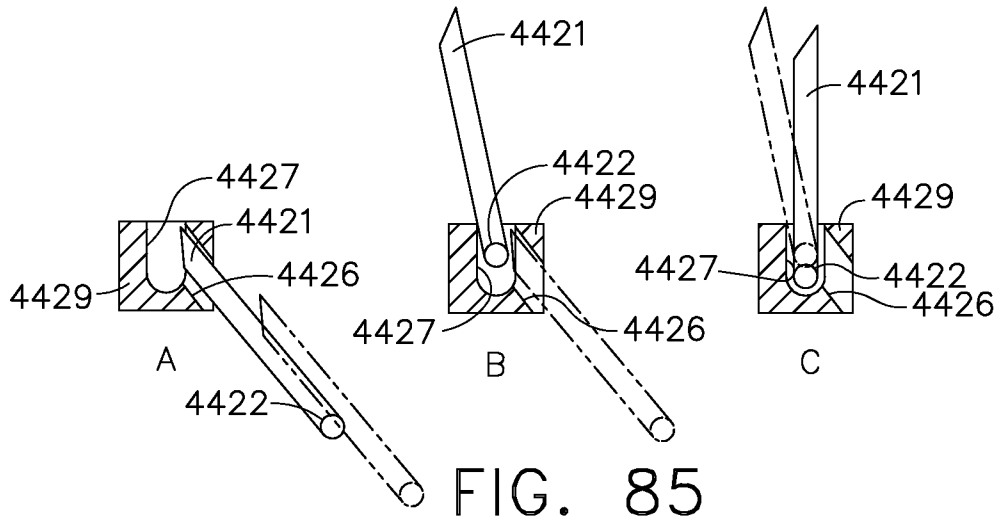




FIG. 88

FIG. 87

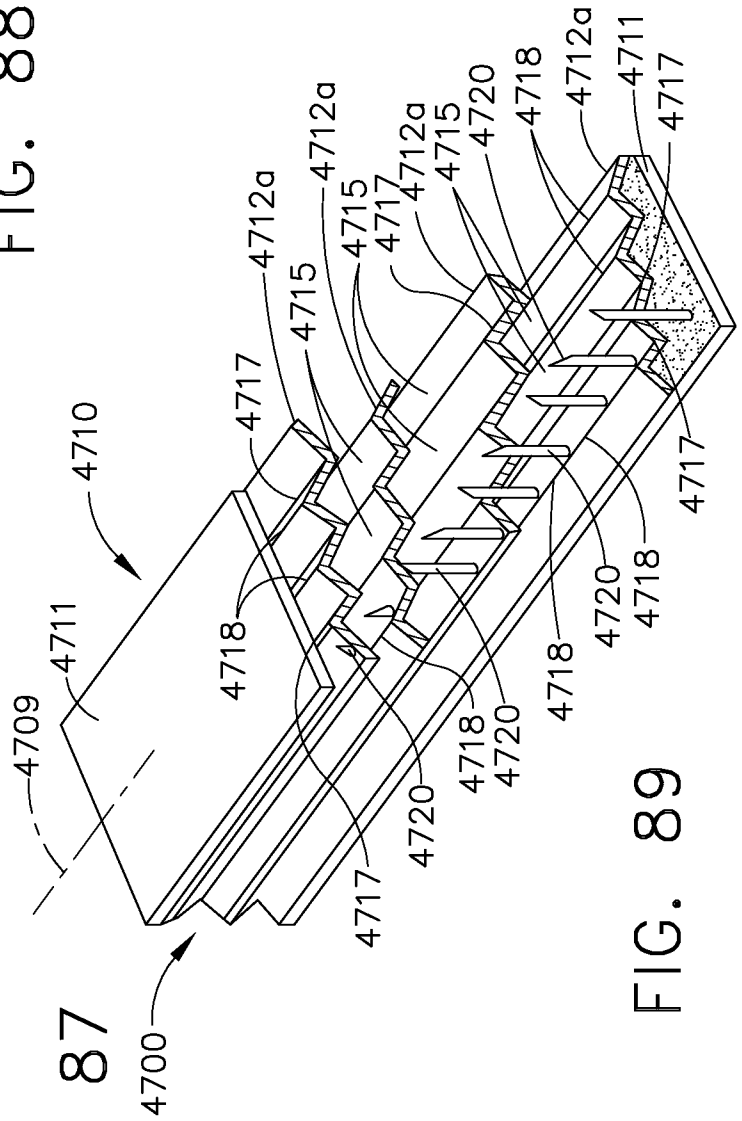


FIG. 89

41/301

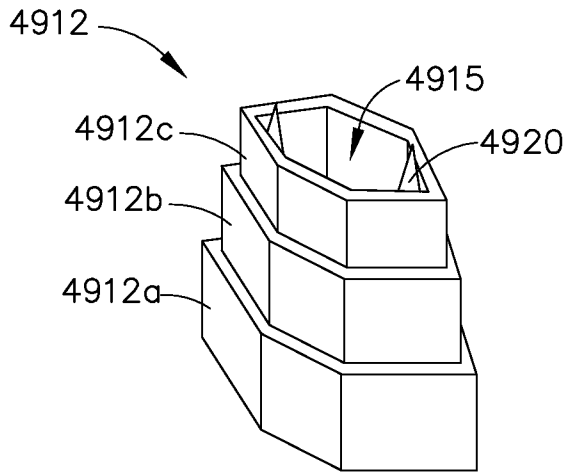


FIG. 94

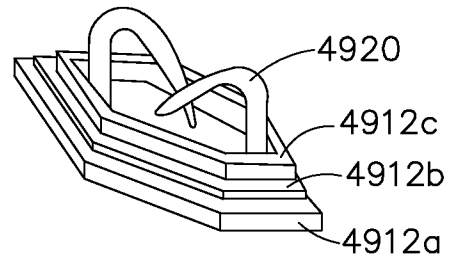


FIG. 95

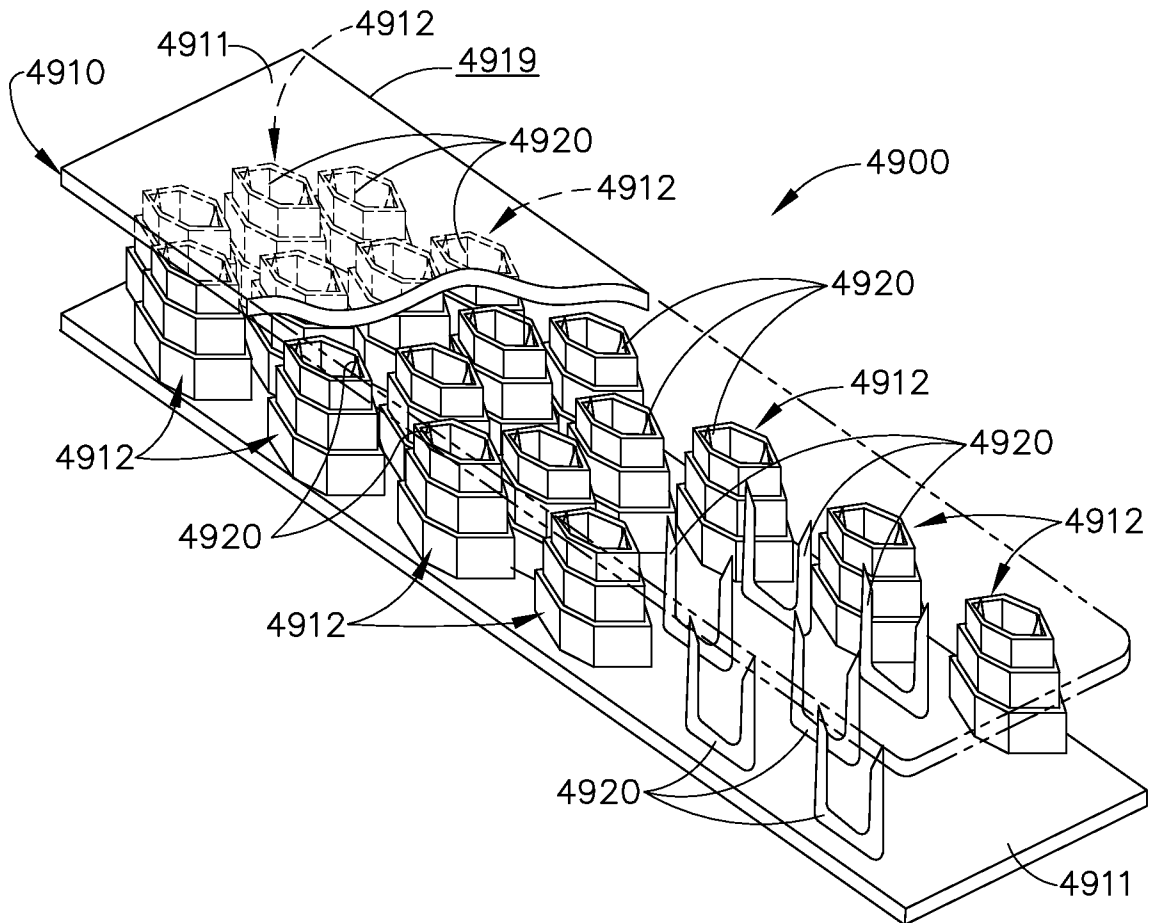
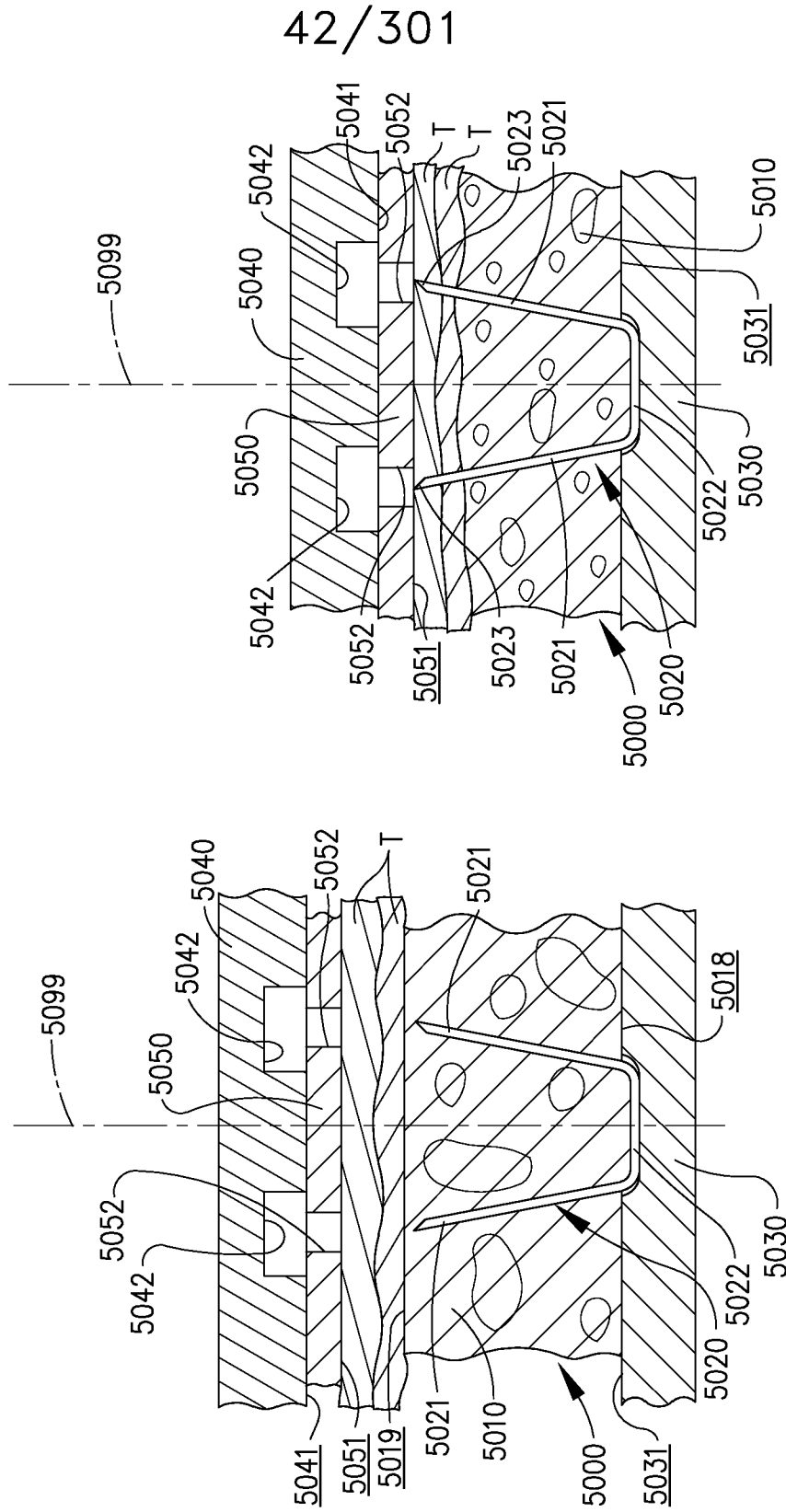


FIG. 93



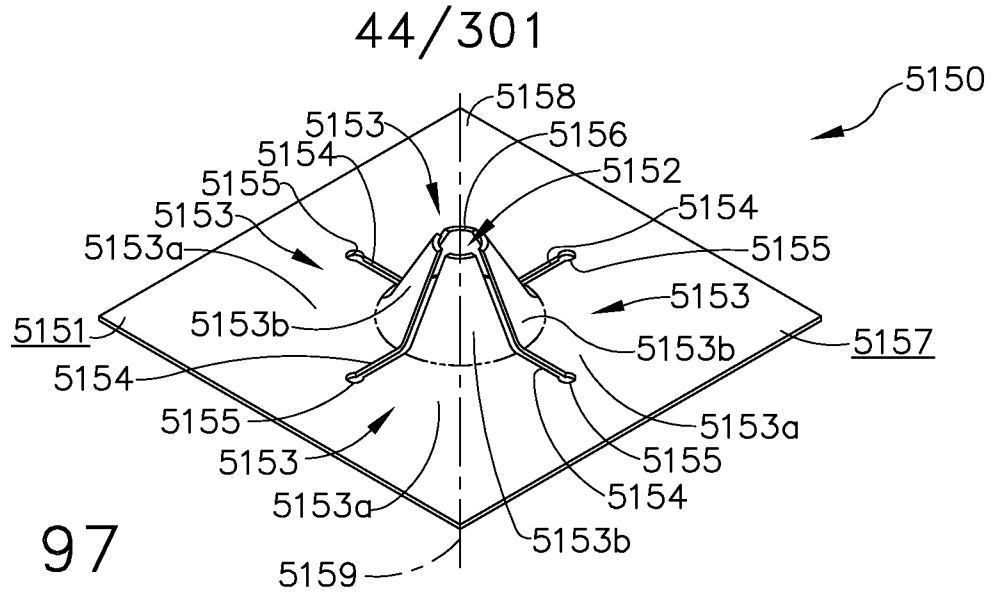


FIG. 97

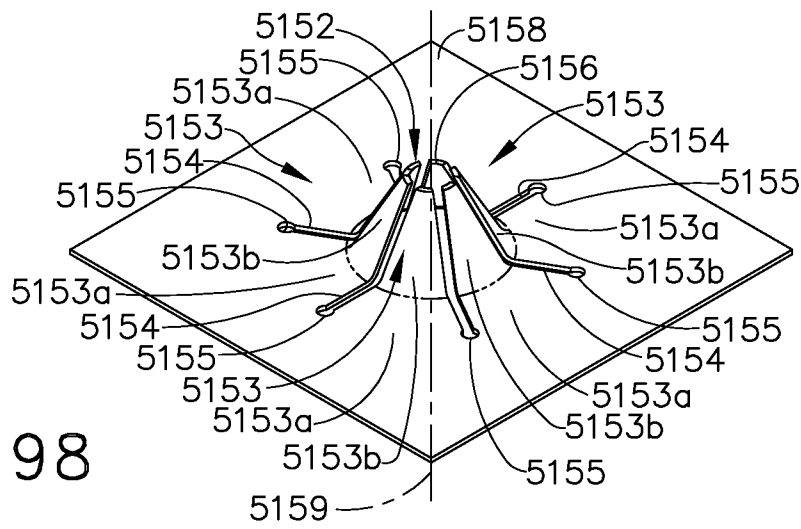


FIG. 98

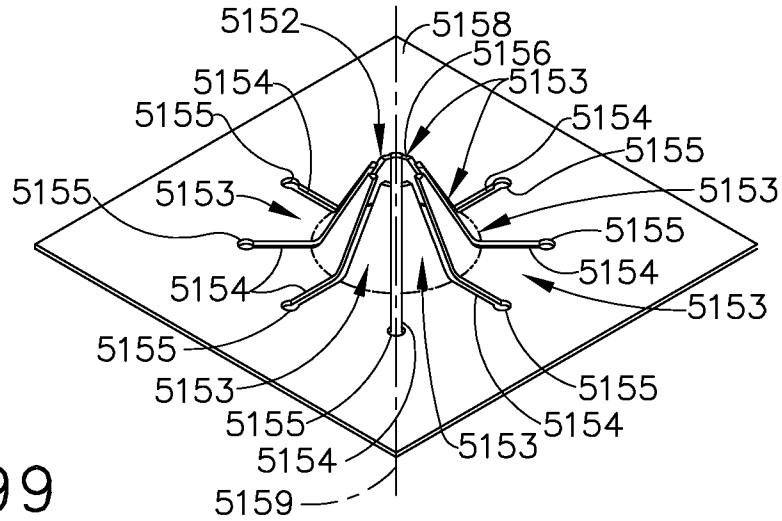


FIG. 99

46/301

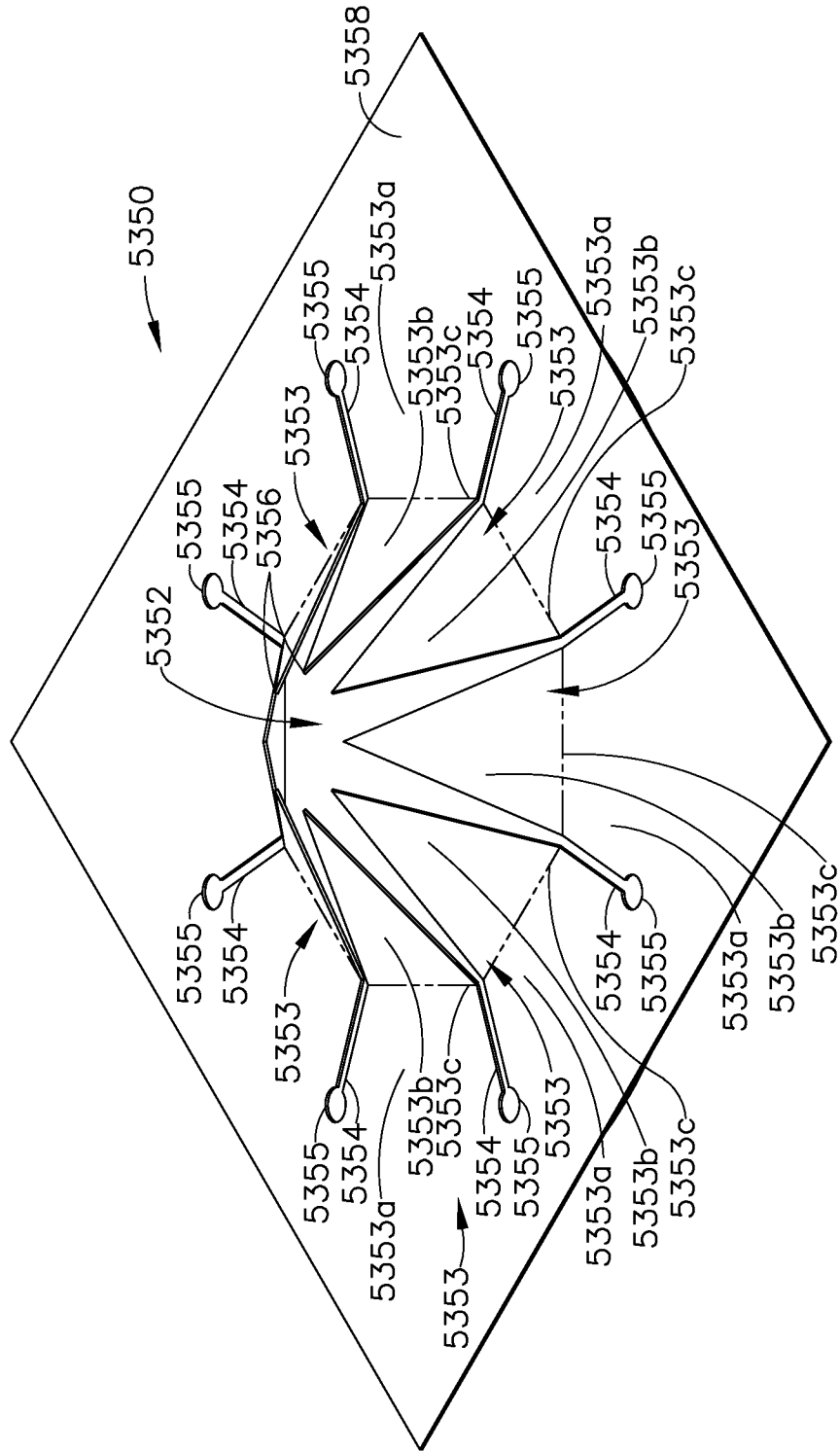


FIG. 103

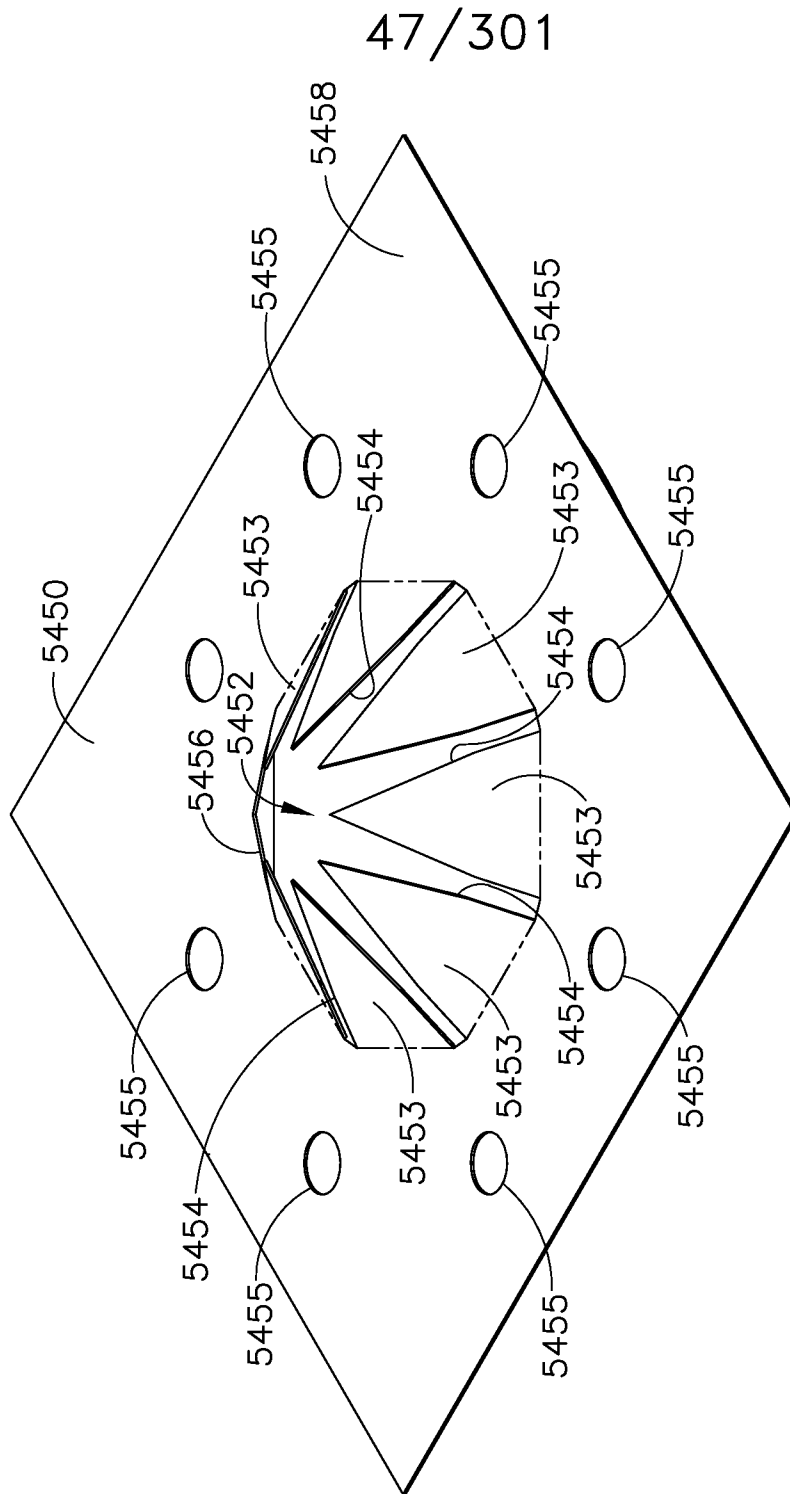


FIG. 104

48/301

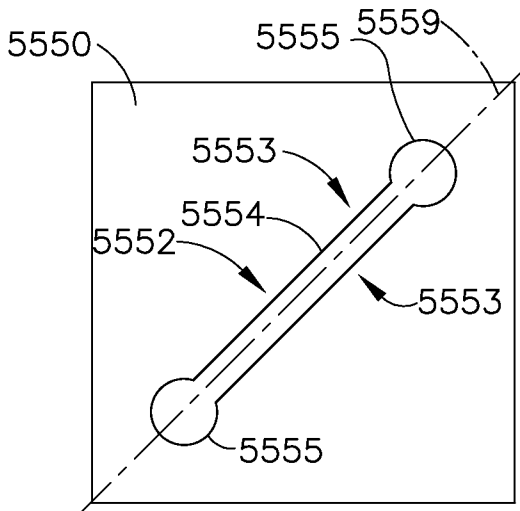


FIG. 105

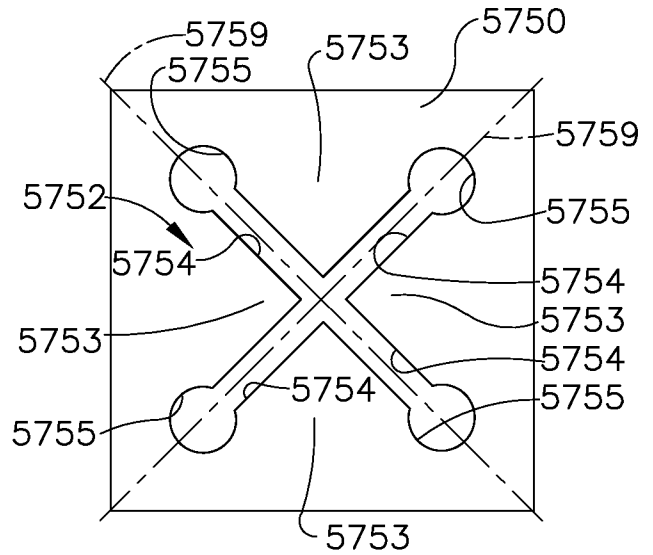


FIG. 107

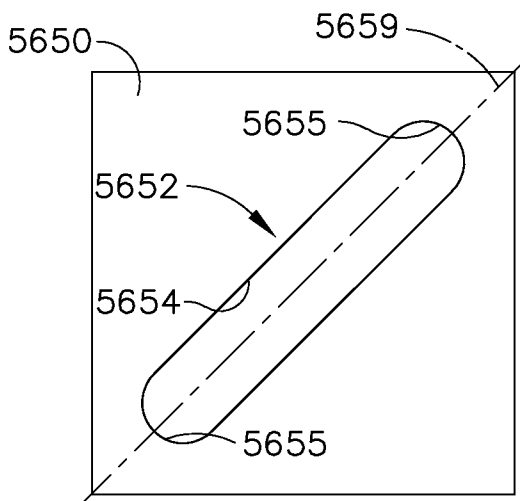


FIG. 106

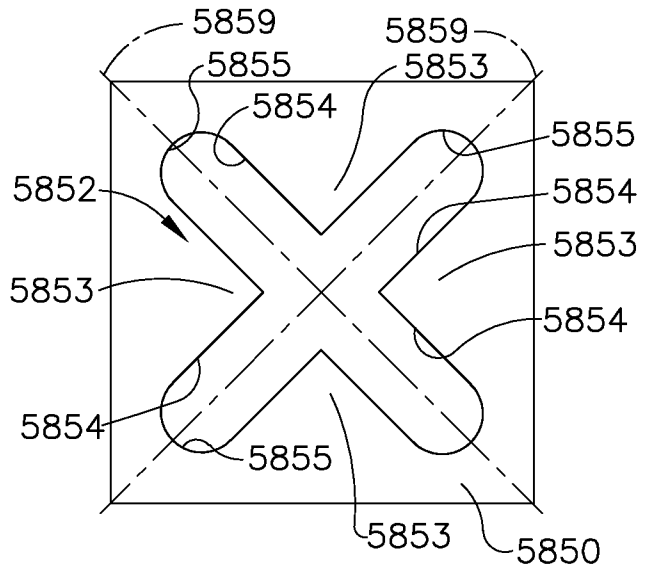


FIG. 108

49/301

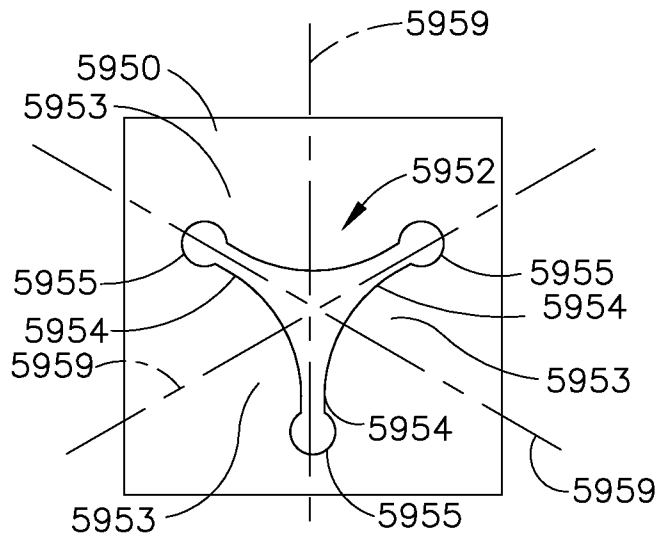


FIG. 109

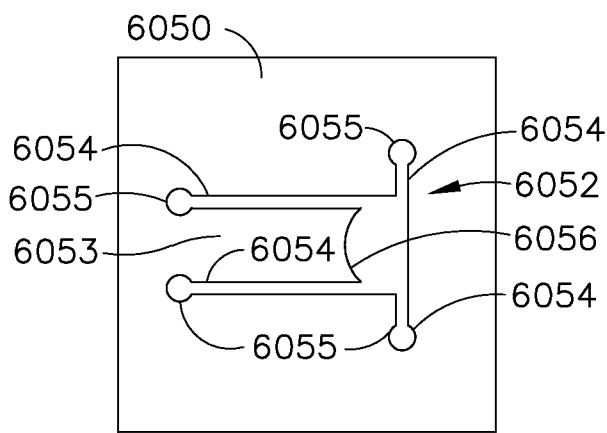


FIG. 110

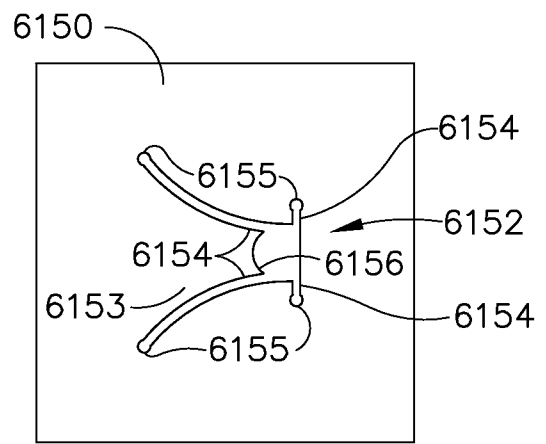


FIG. 111

50/301

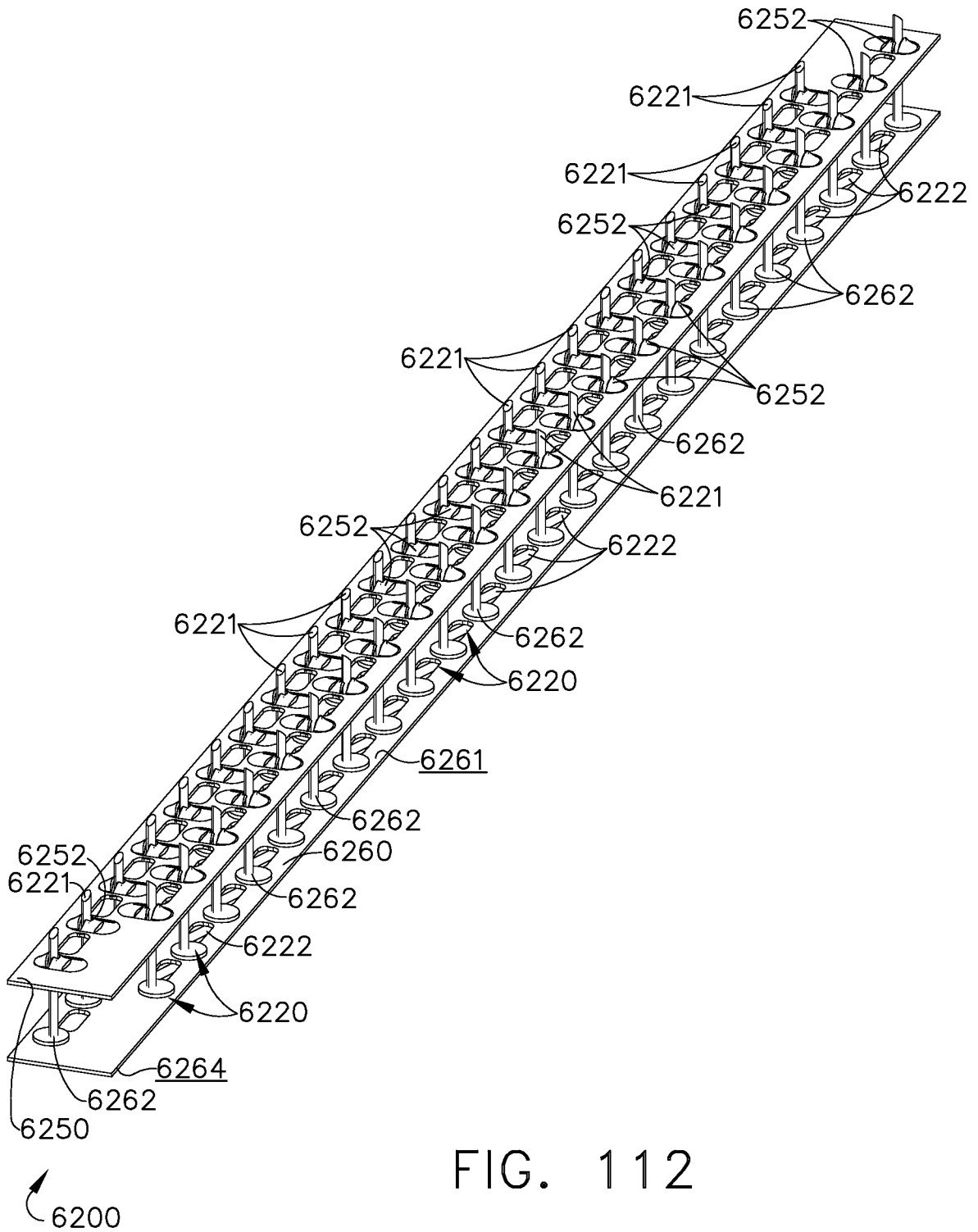


FIG. 112

51/301

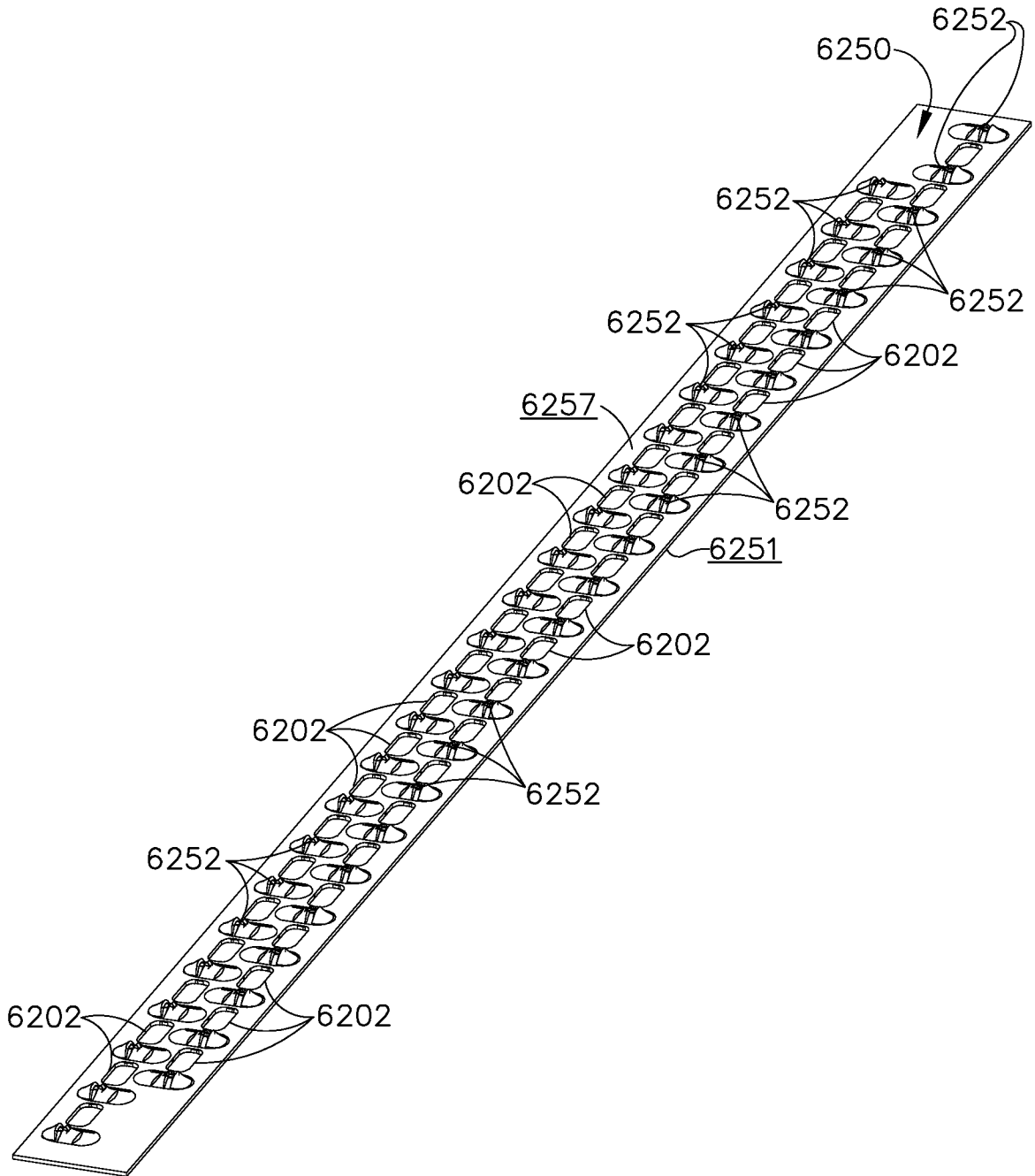


FIG. 113

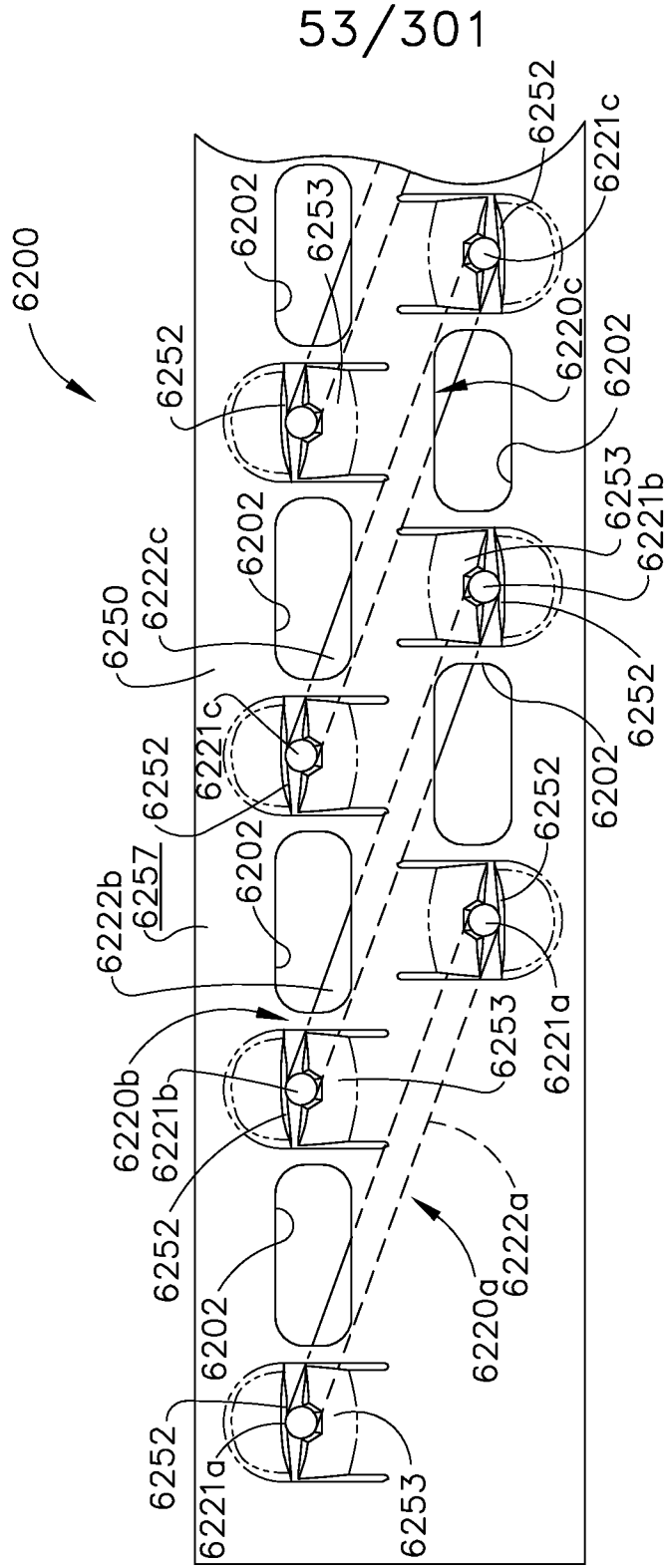


FIG. 115

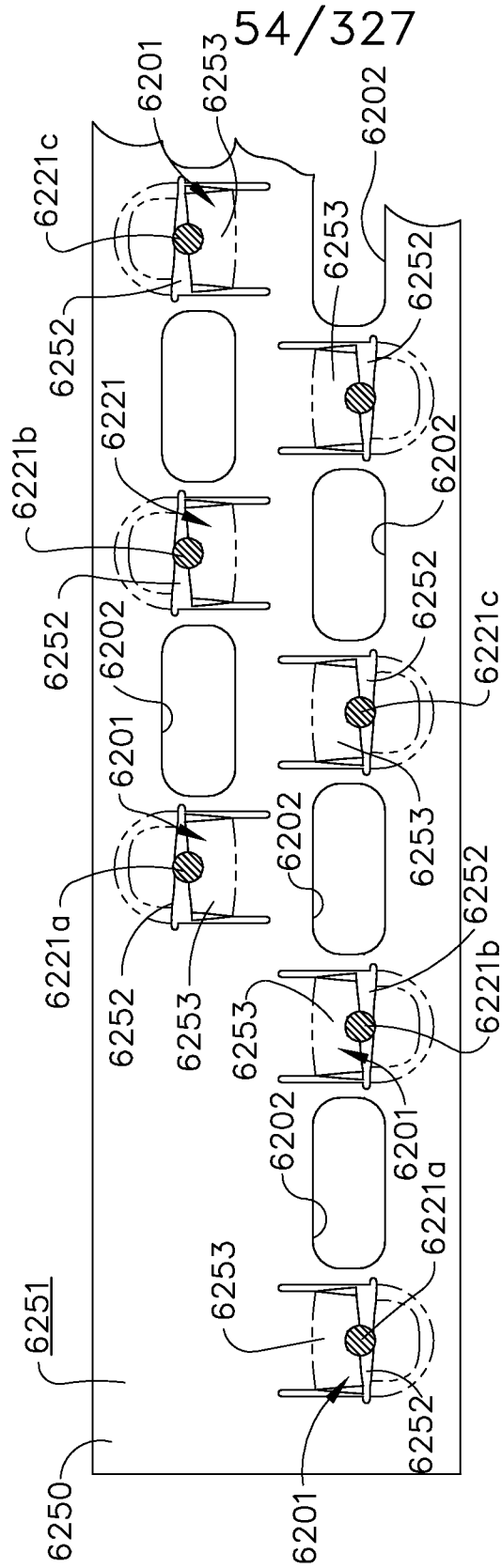


FIG. 116

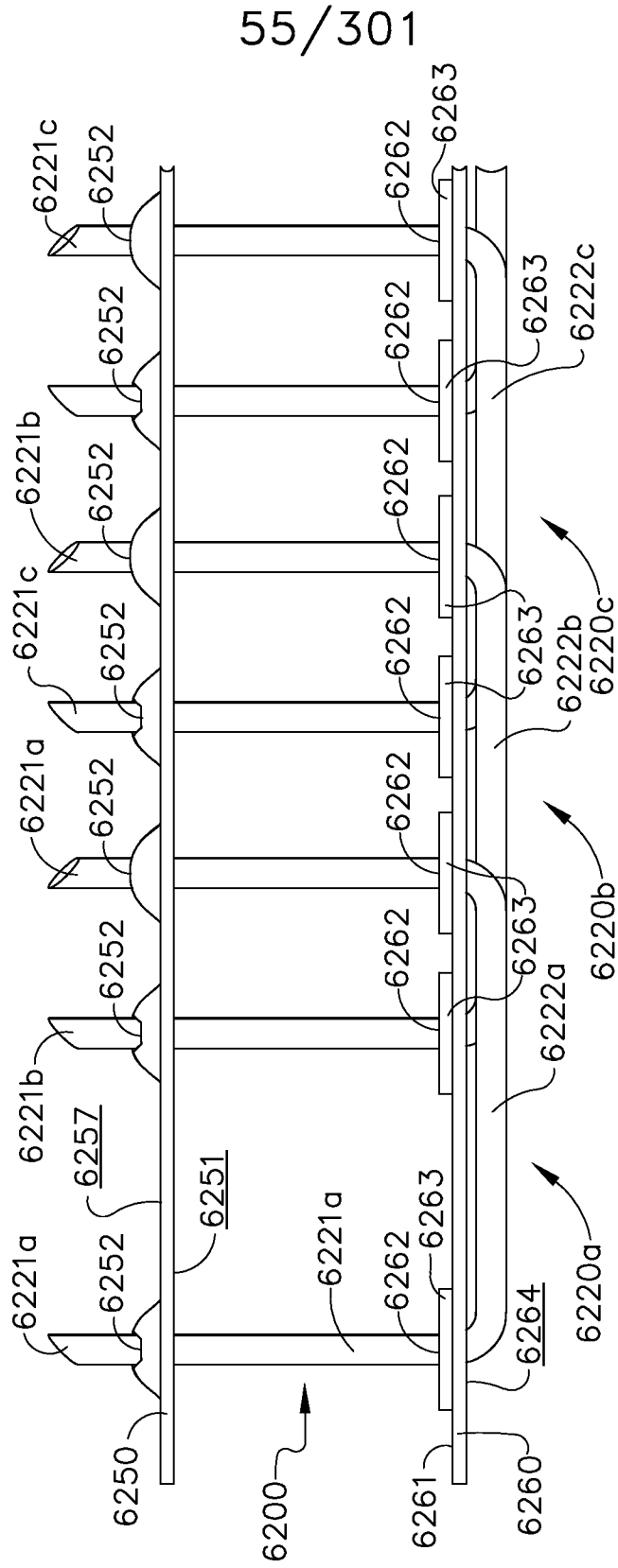


FIG. 117

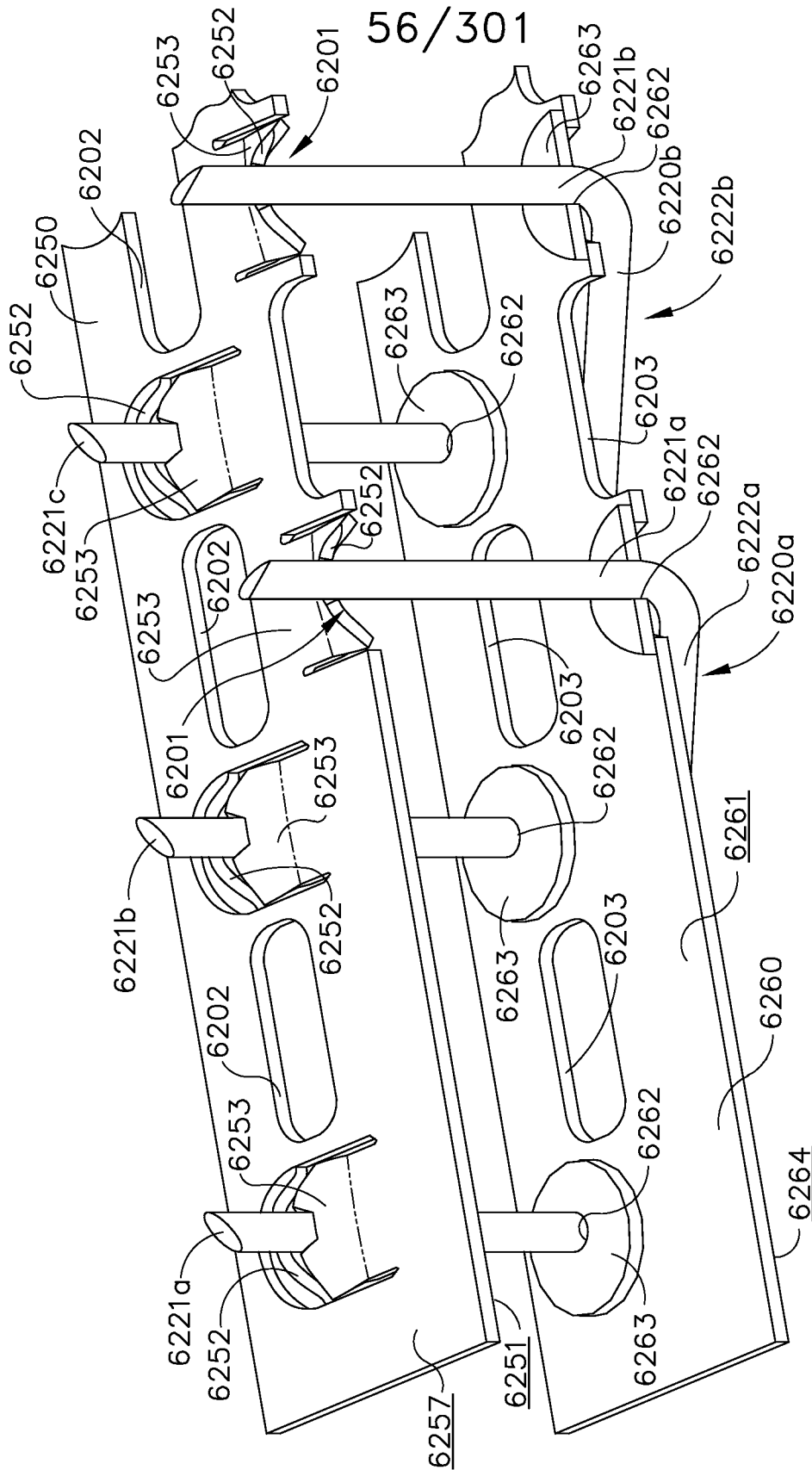


FIG. 118

57/301

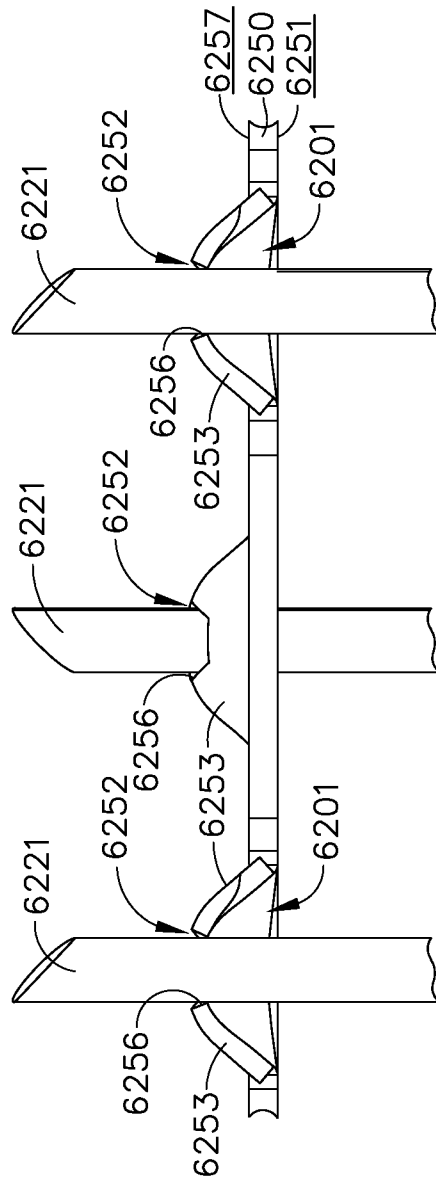


FIG. 119

58/301

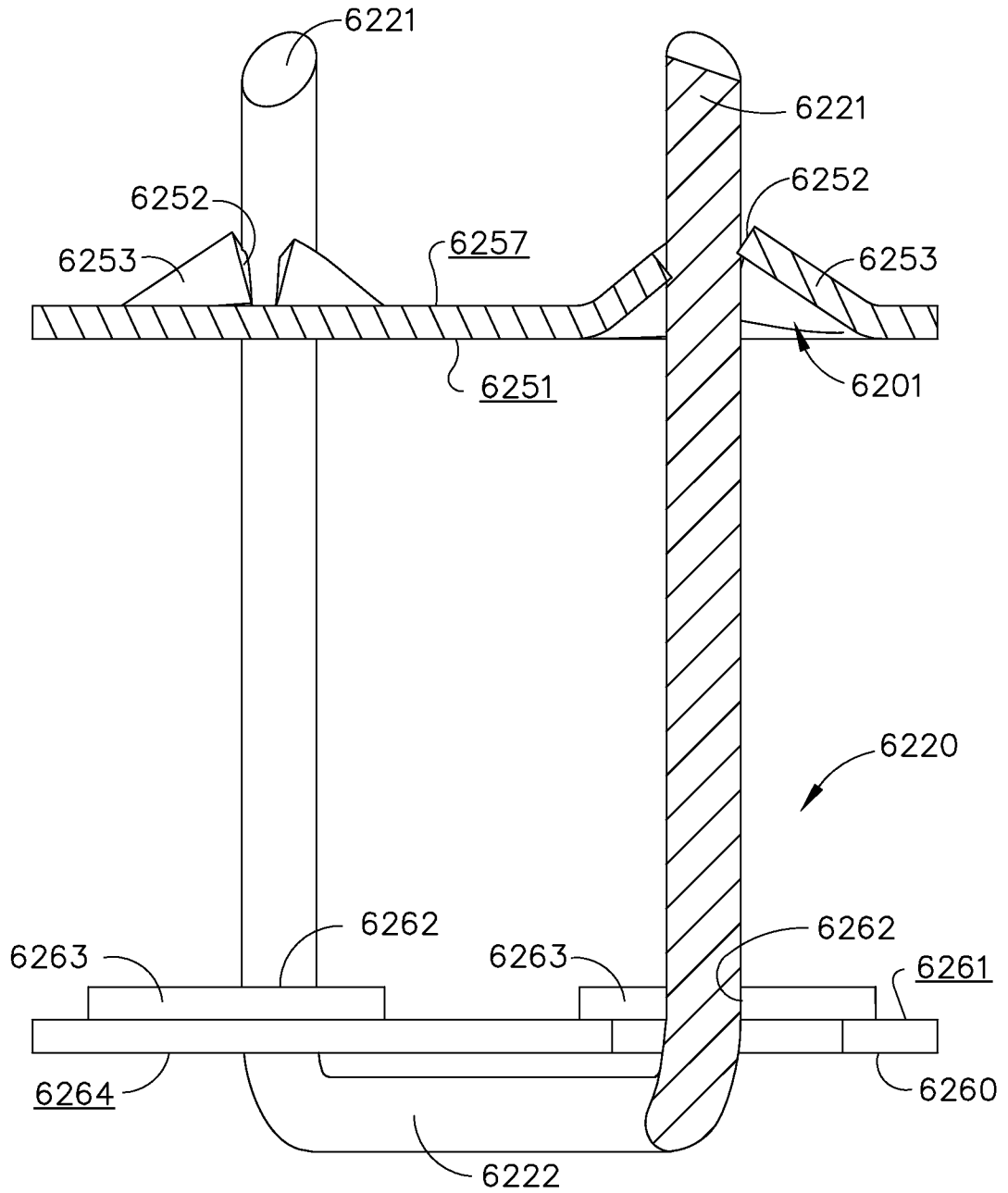


FIG. 120

59/301

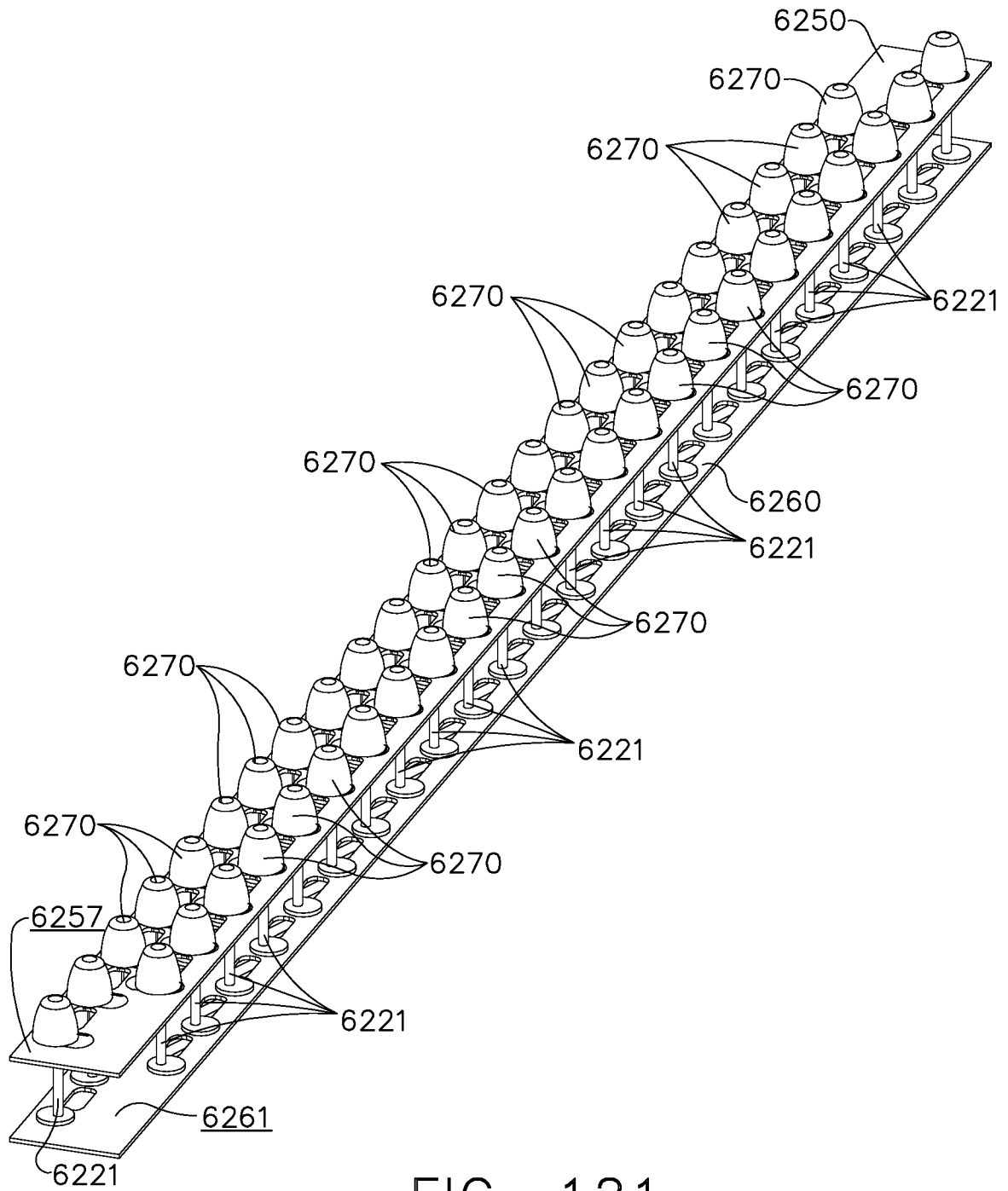


FIG. 121

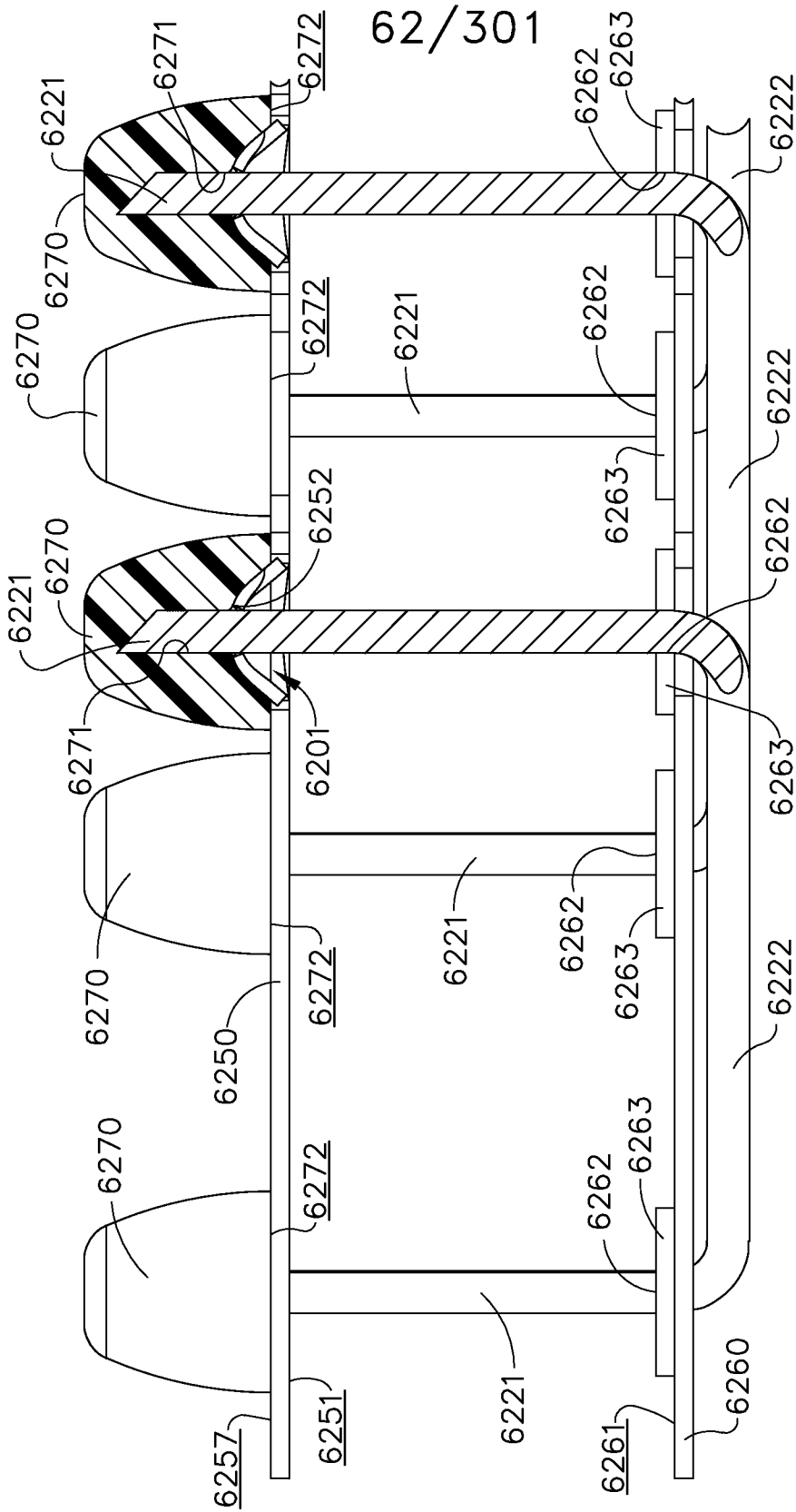


FIG. 124

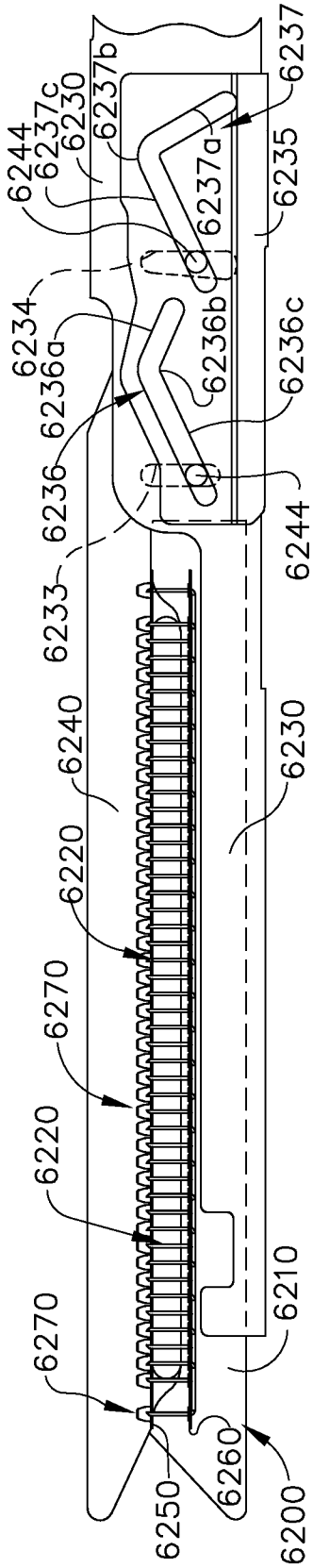


FIG. 127

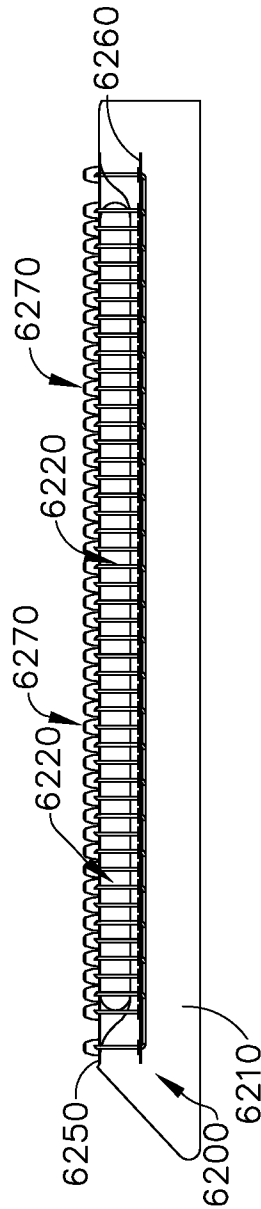


FIG. 128

64/301

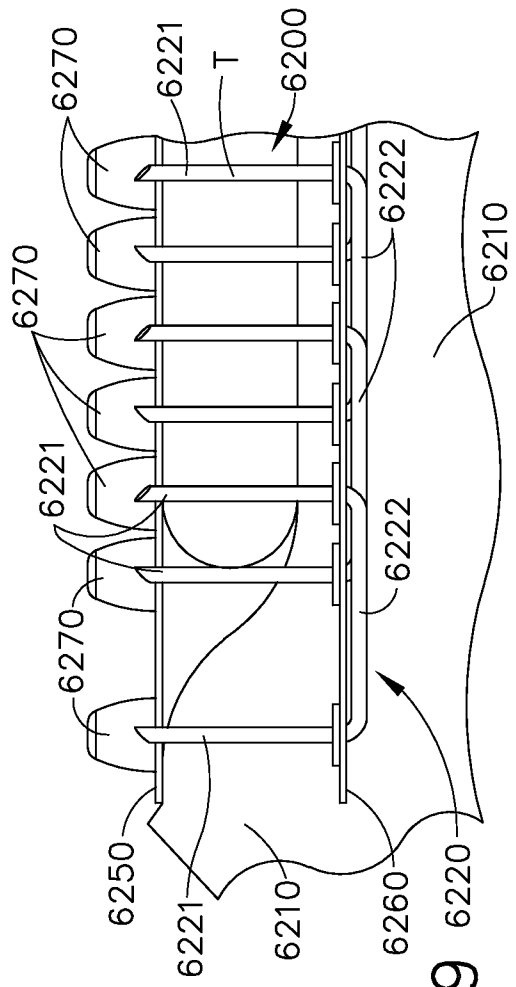
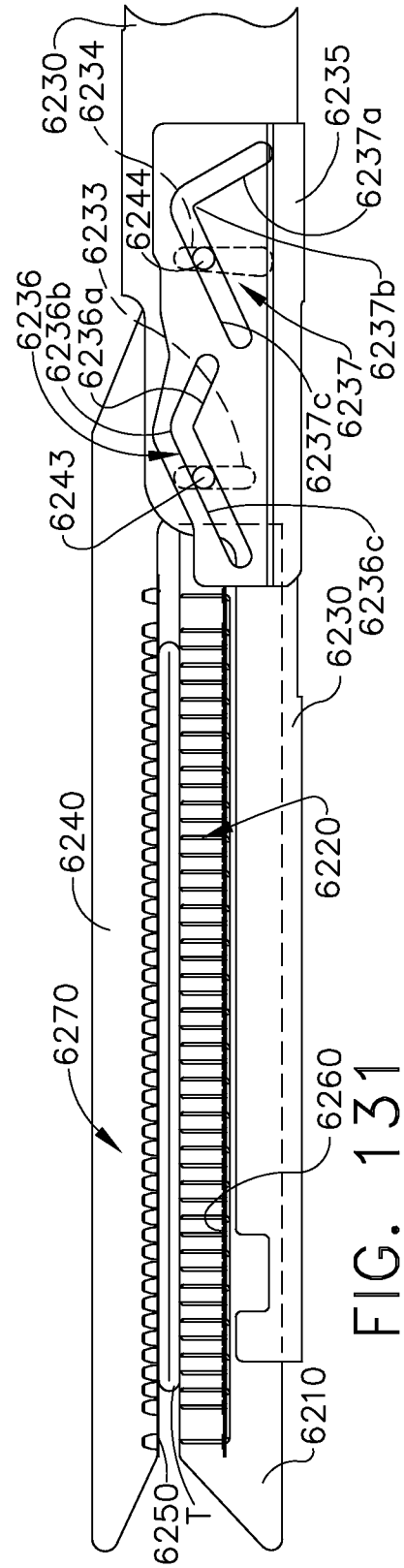
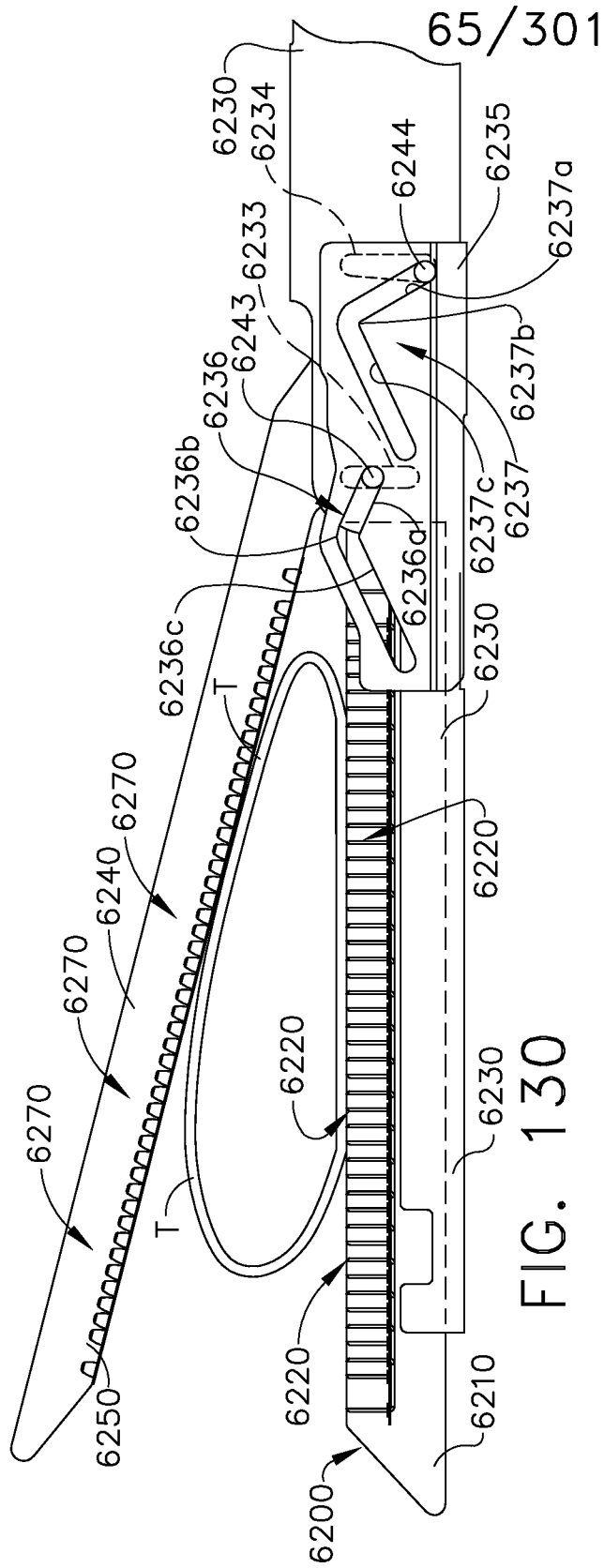


FIG. 129



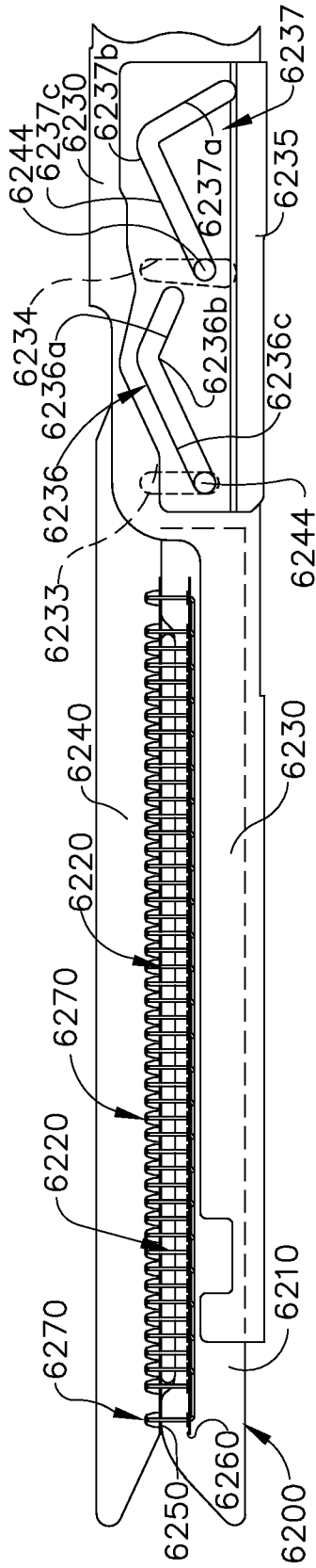


FIG. 132

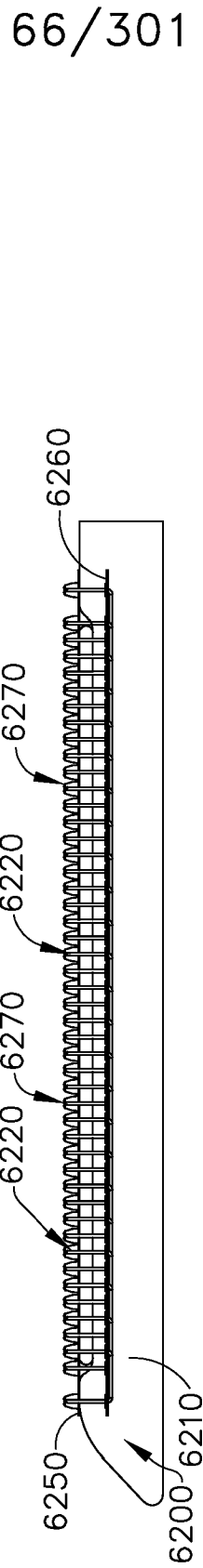


FIG. 133

66/301

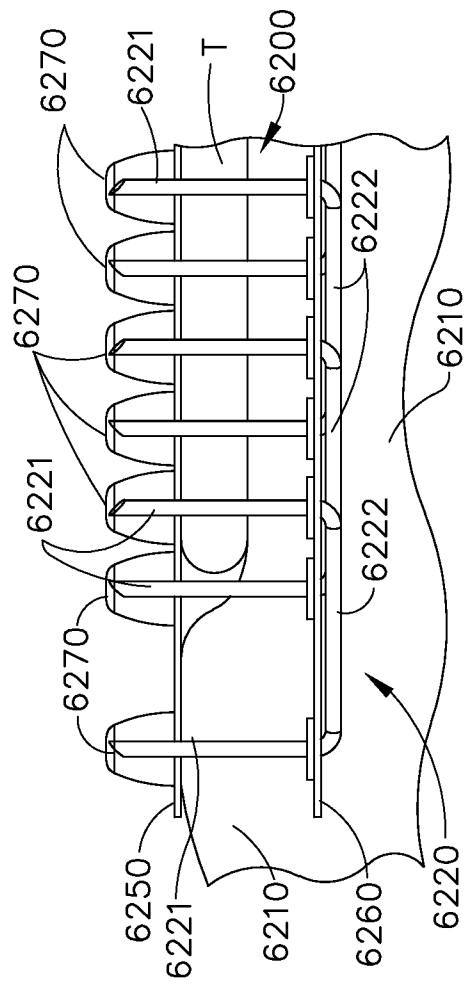


FIG. 134

67/301

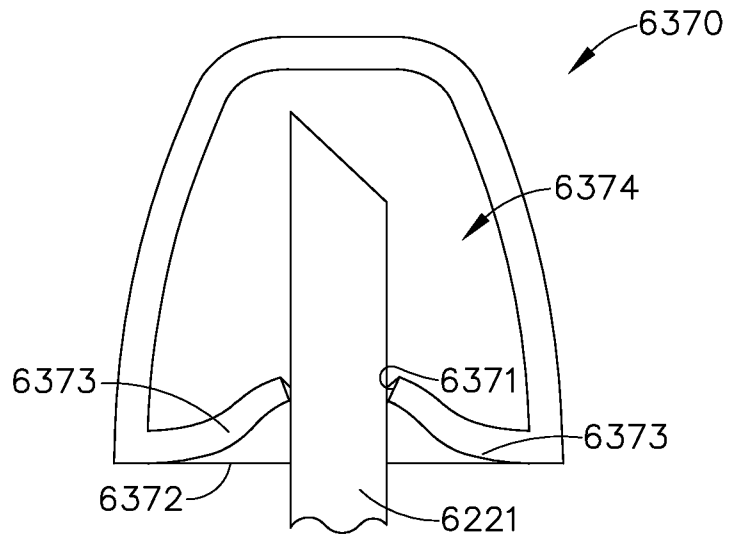


FIG. 135

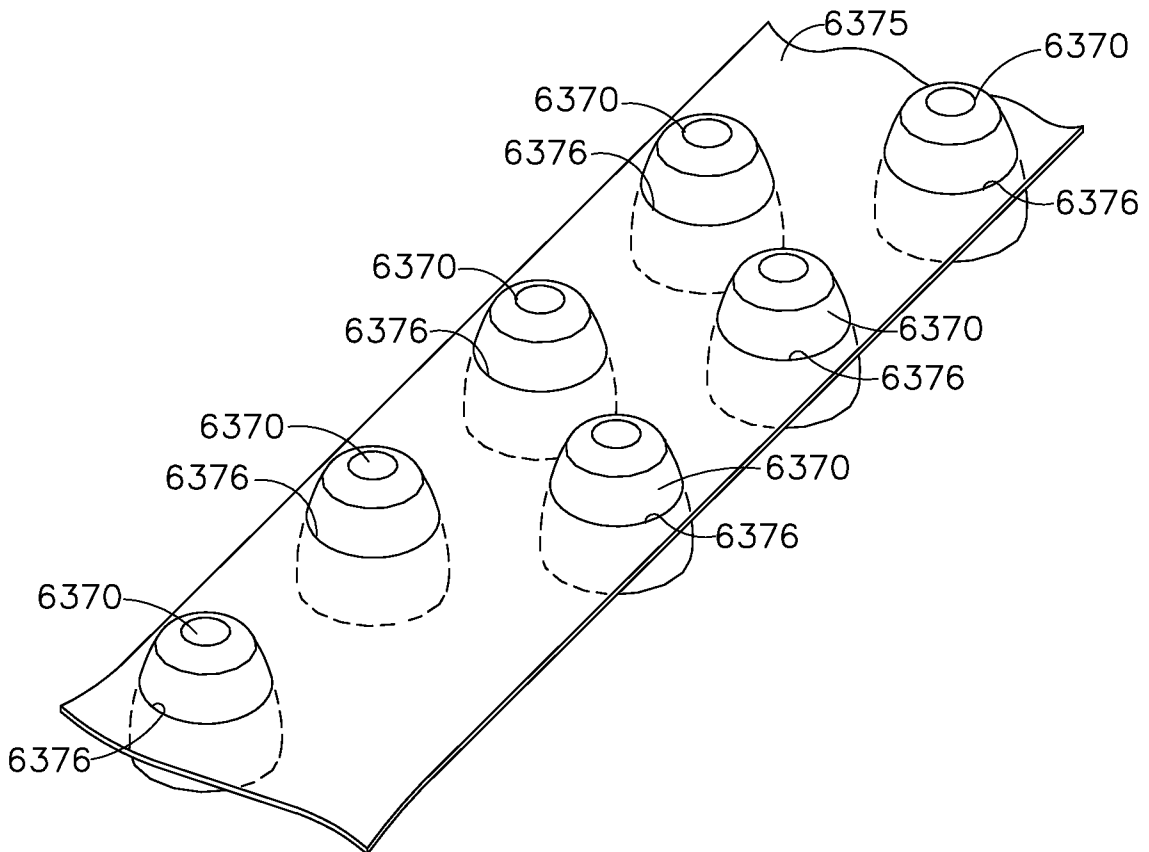


FIG. 136

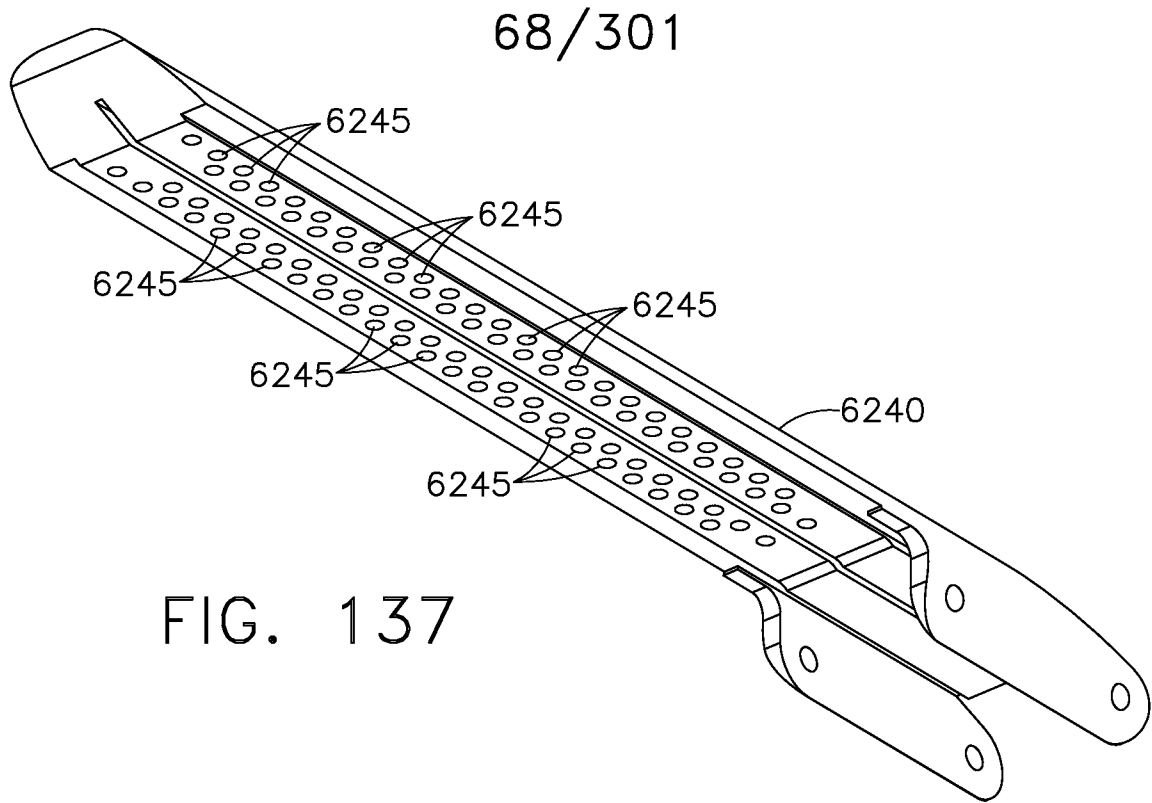


FIG. 137

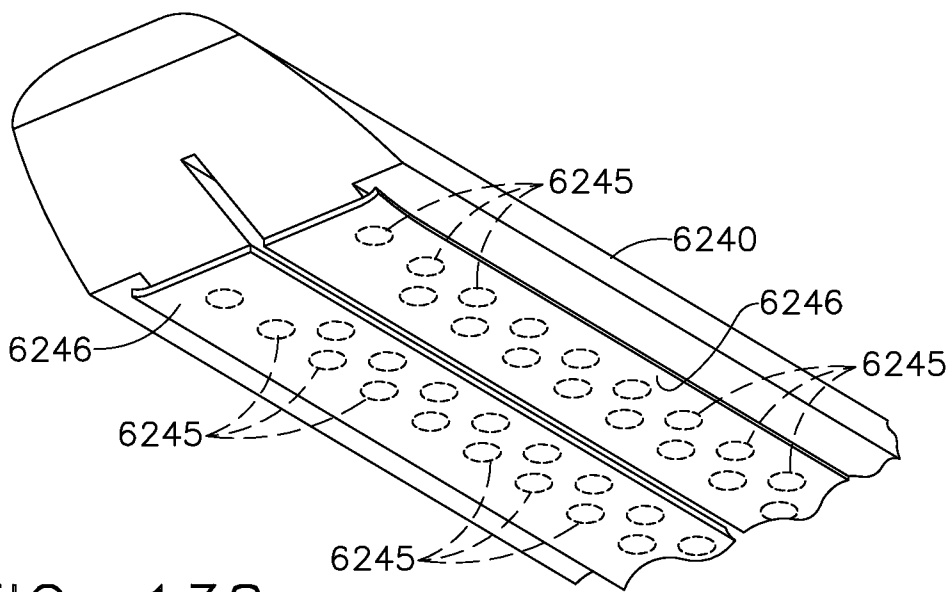


FIG. 138

69/301

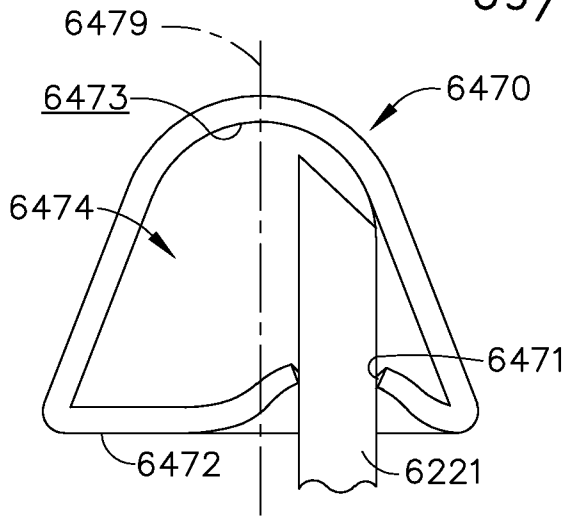


FIG. 139

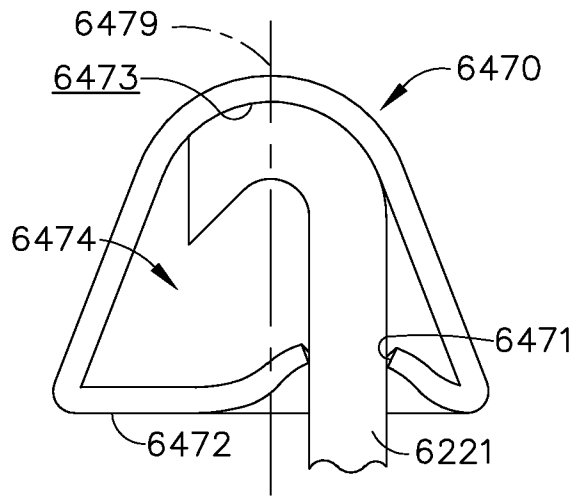


FIG. 140

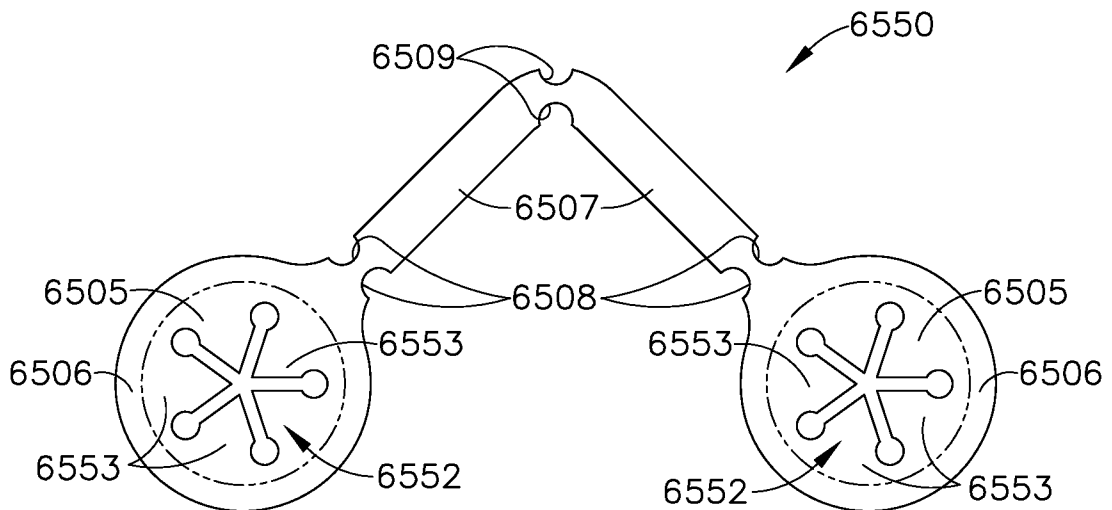


FIG. 141

70/301

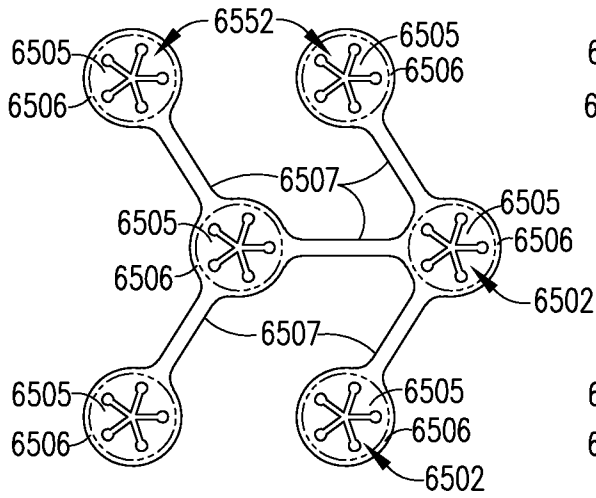


FIG. 142

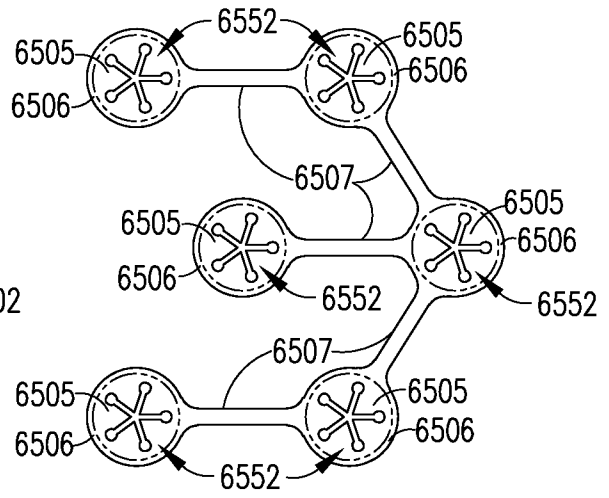


FIG. 143

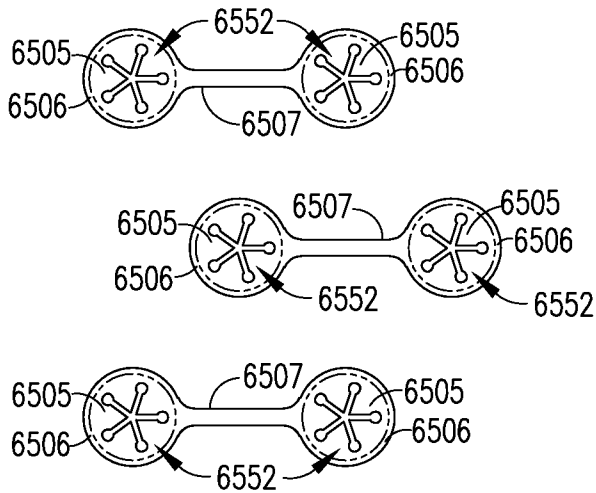


FIG. 144

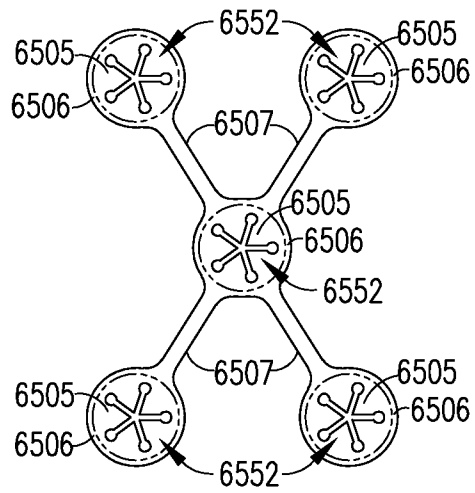


FIG. 145

72/301

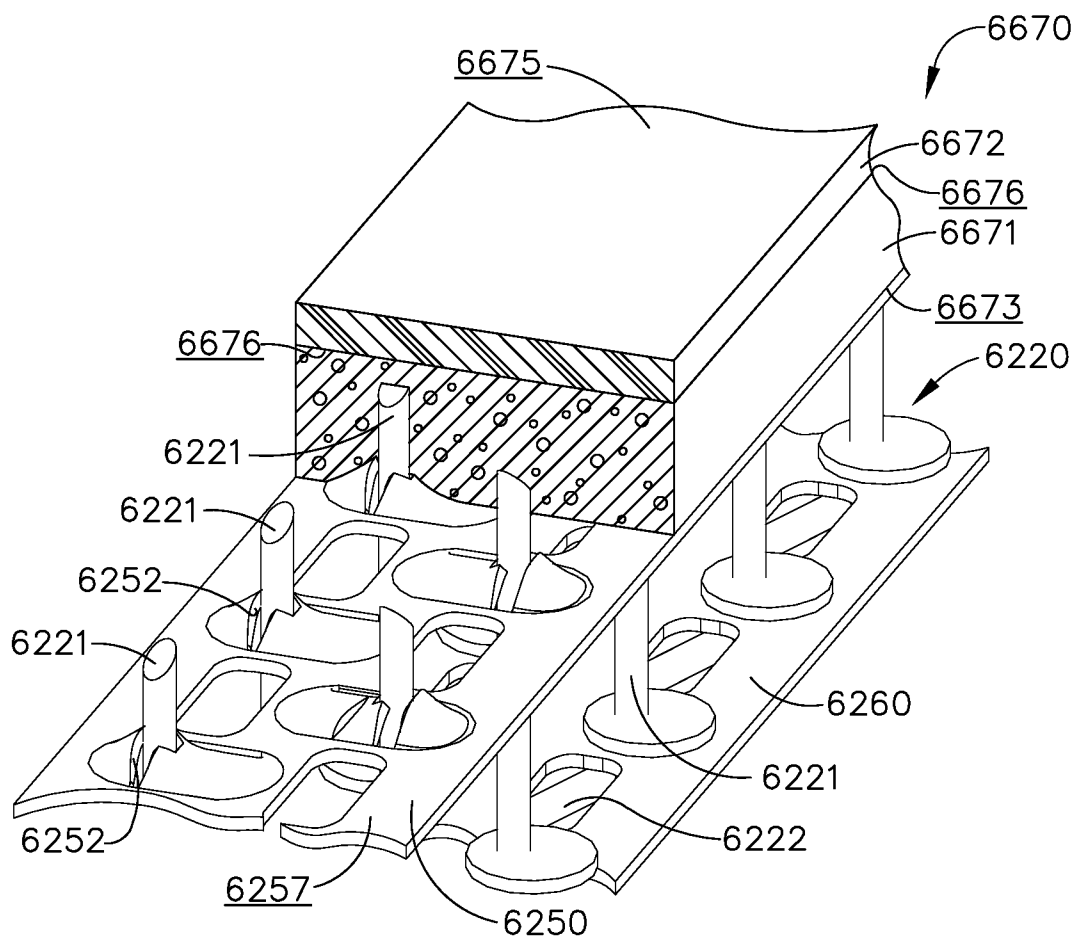


FIG. 147

74/301

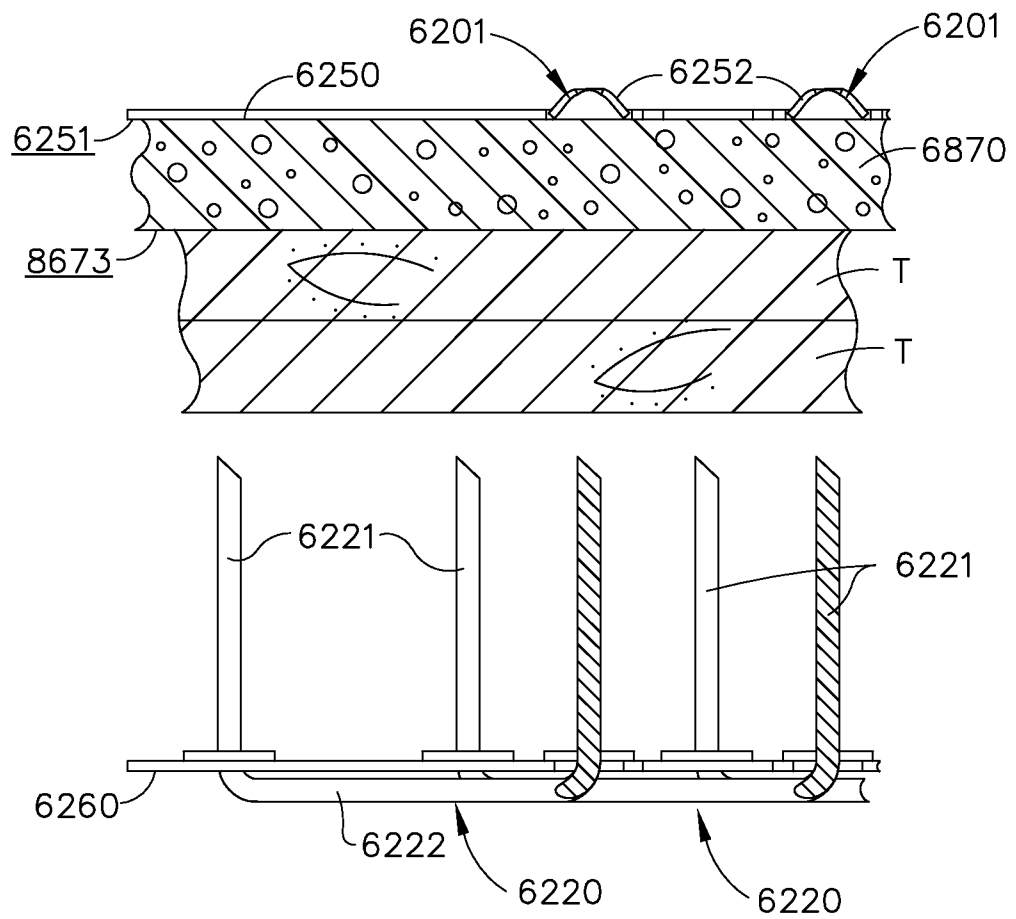


FIG. 150

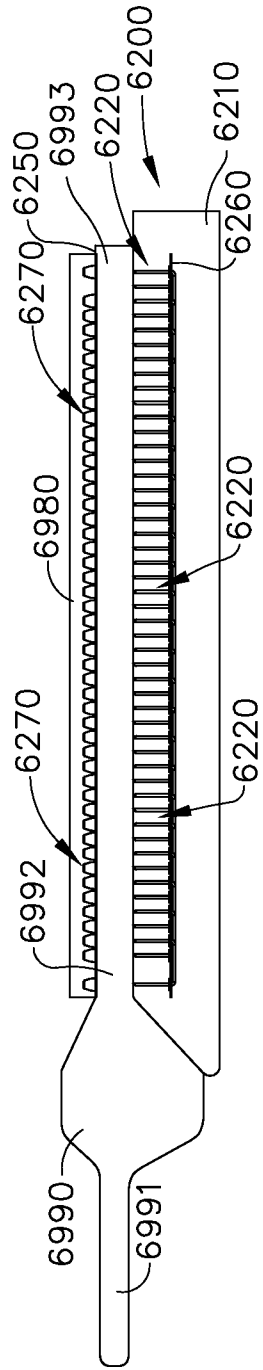


FIG. 151

75/301

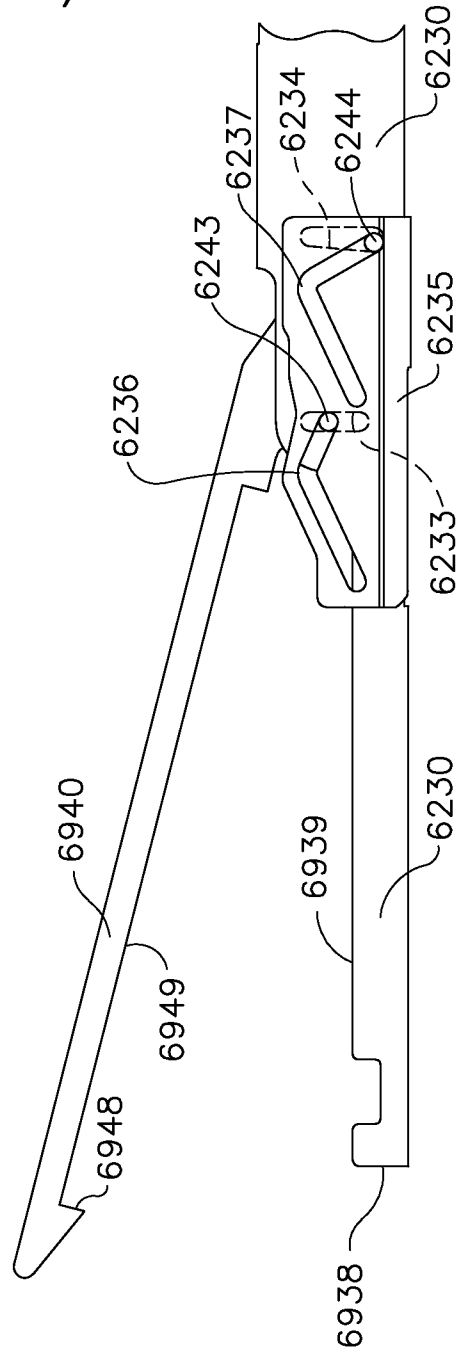


FIG. 152

76/301

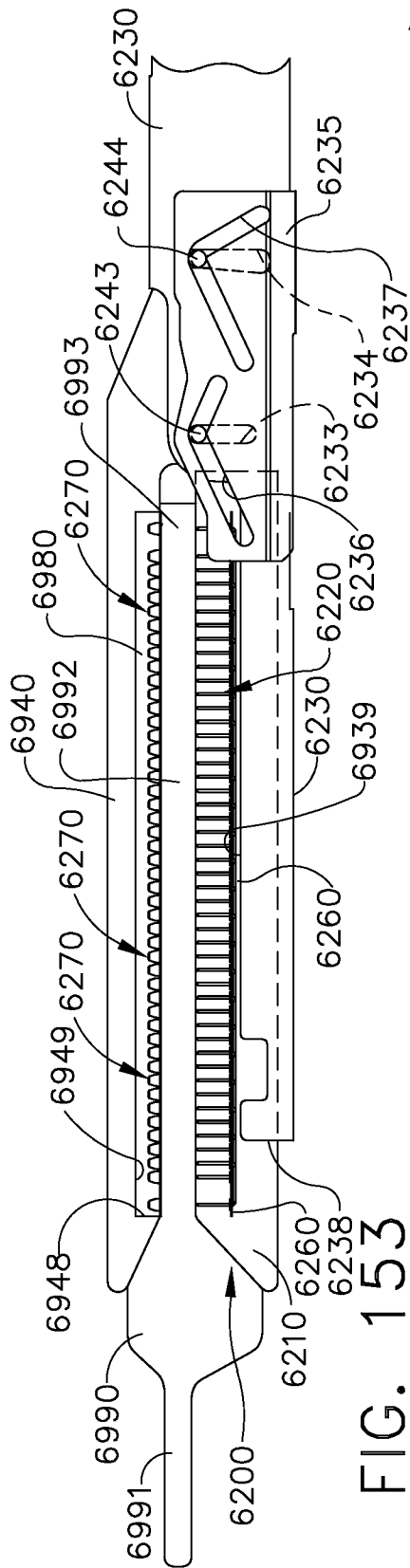


FIG. 153

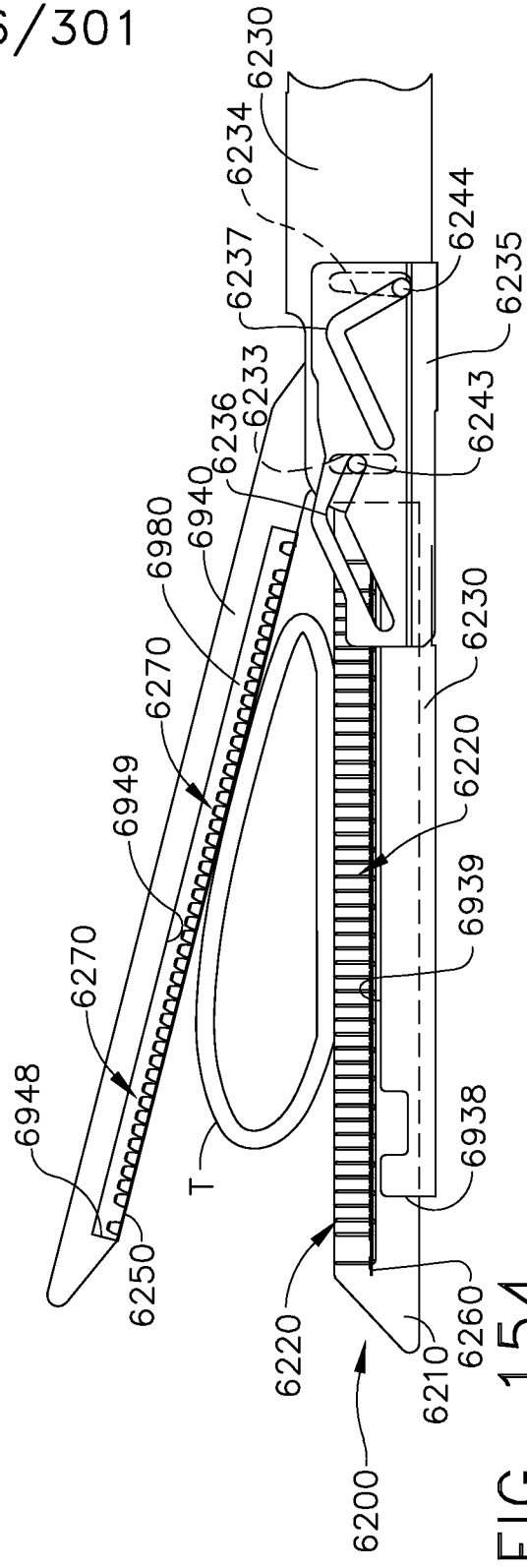


FIG. 154

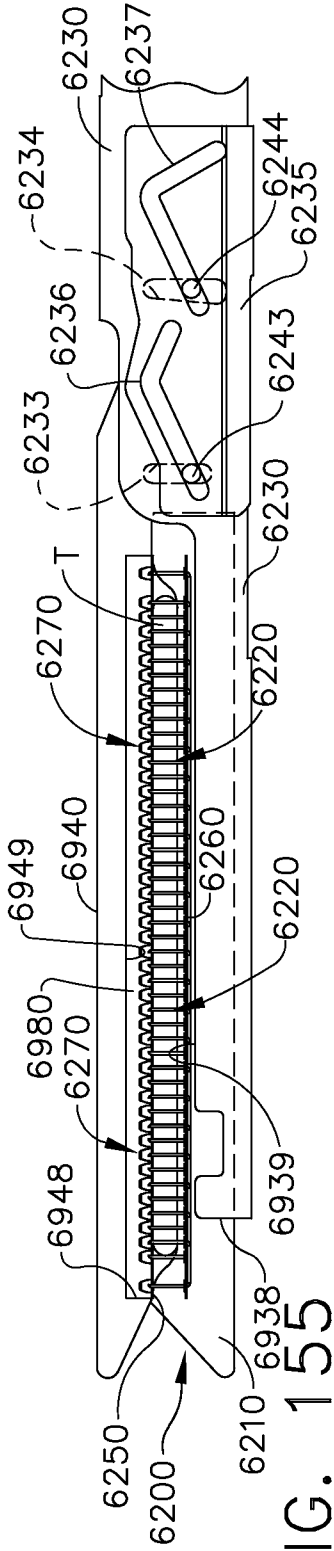


FIG. 155

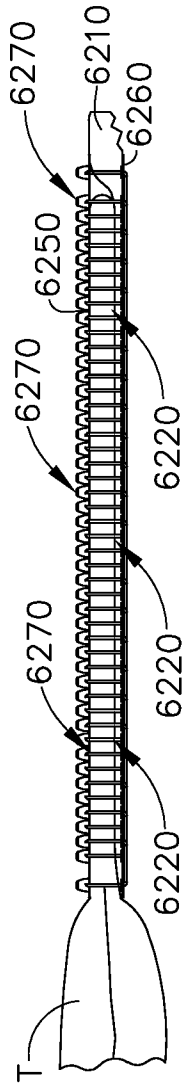


FIG. 156

77/301

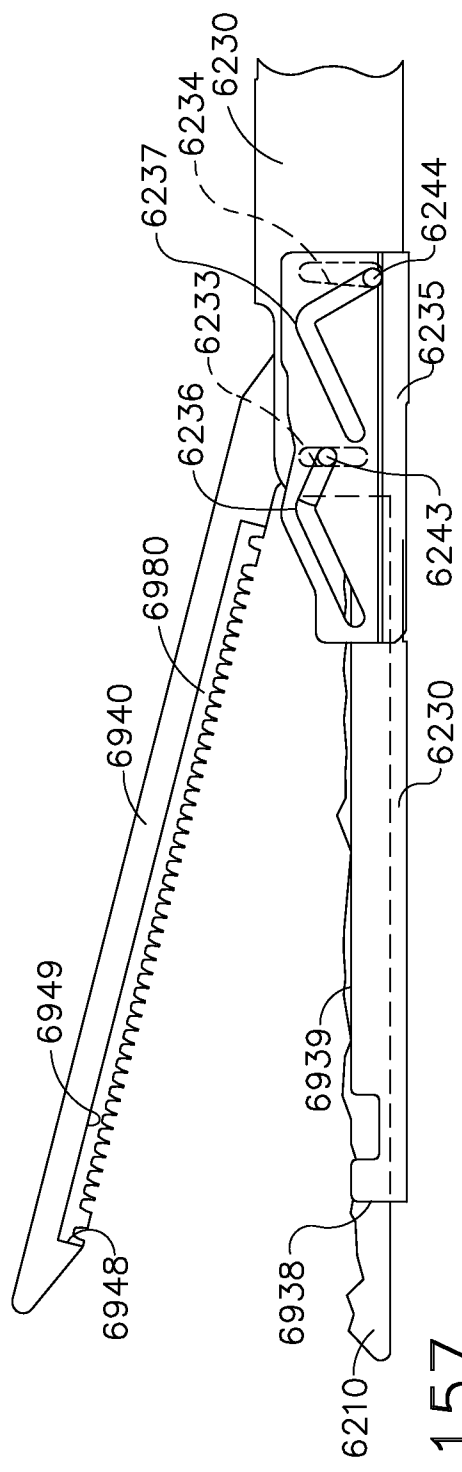


FIG. 157

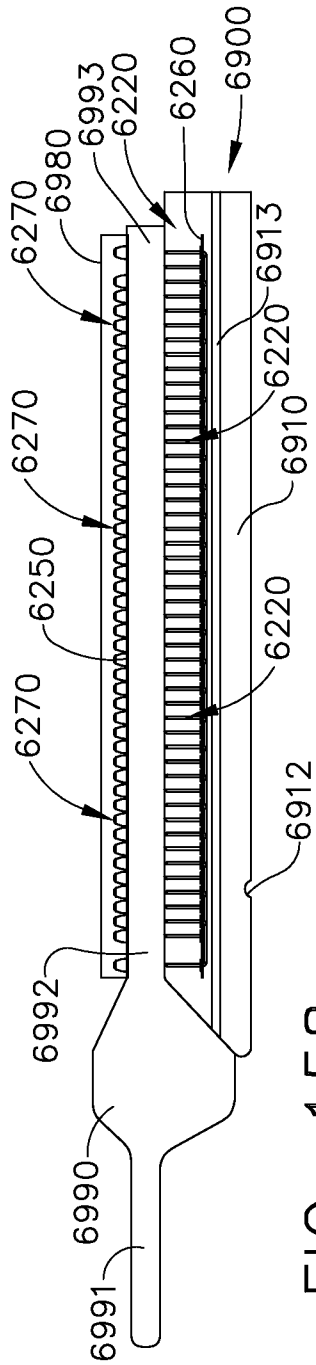


FIG. 158

78/301

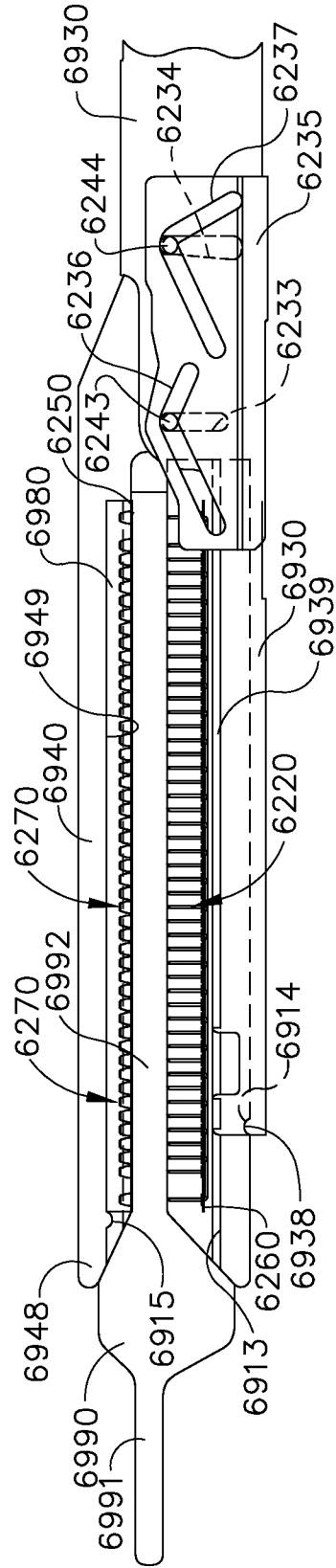


FIG. 159

79/301

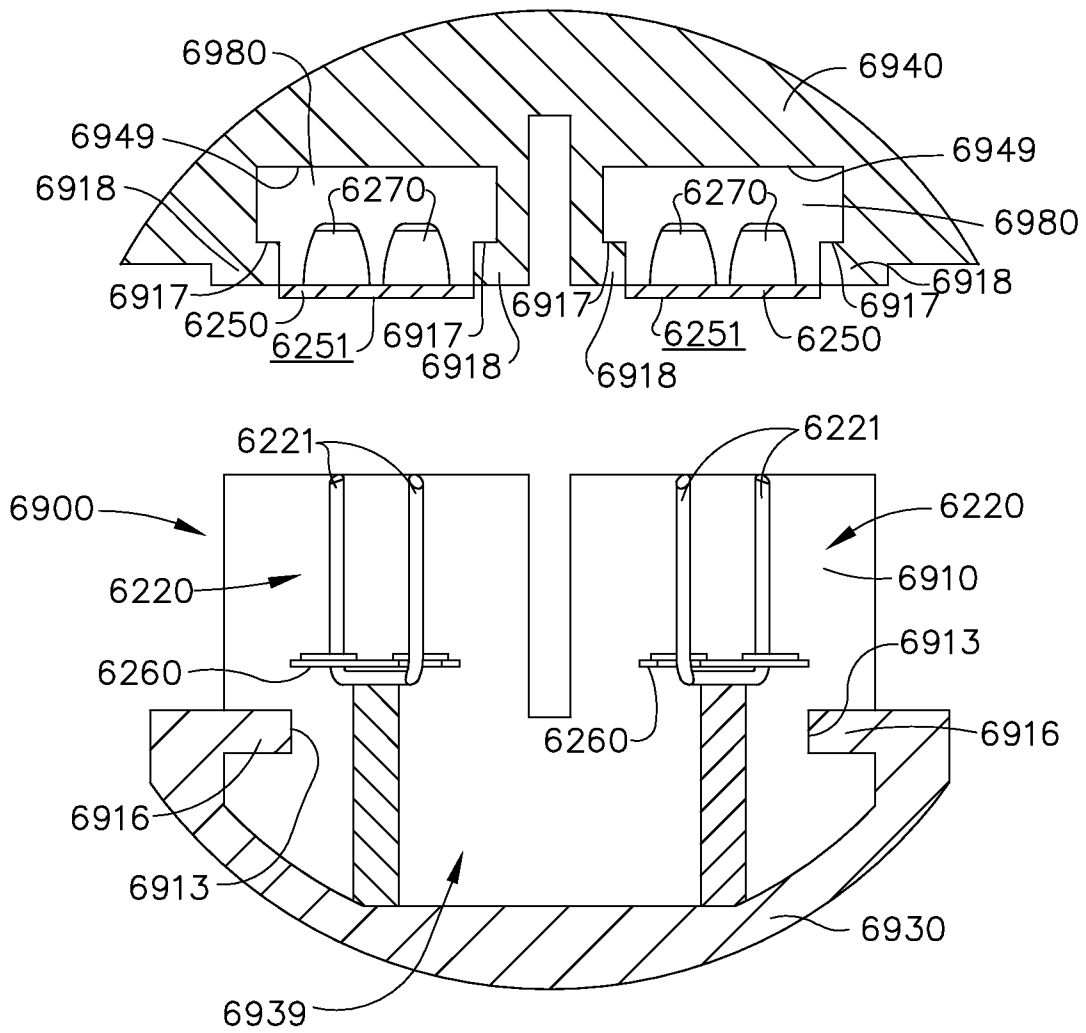


FIG. 160

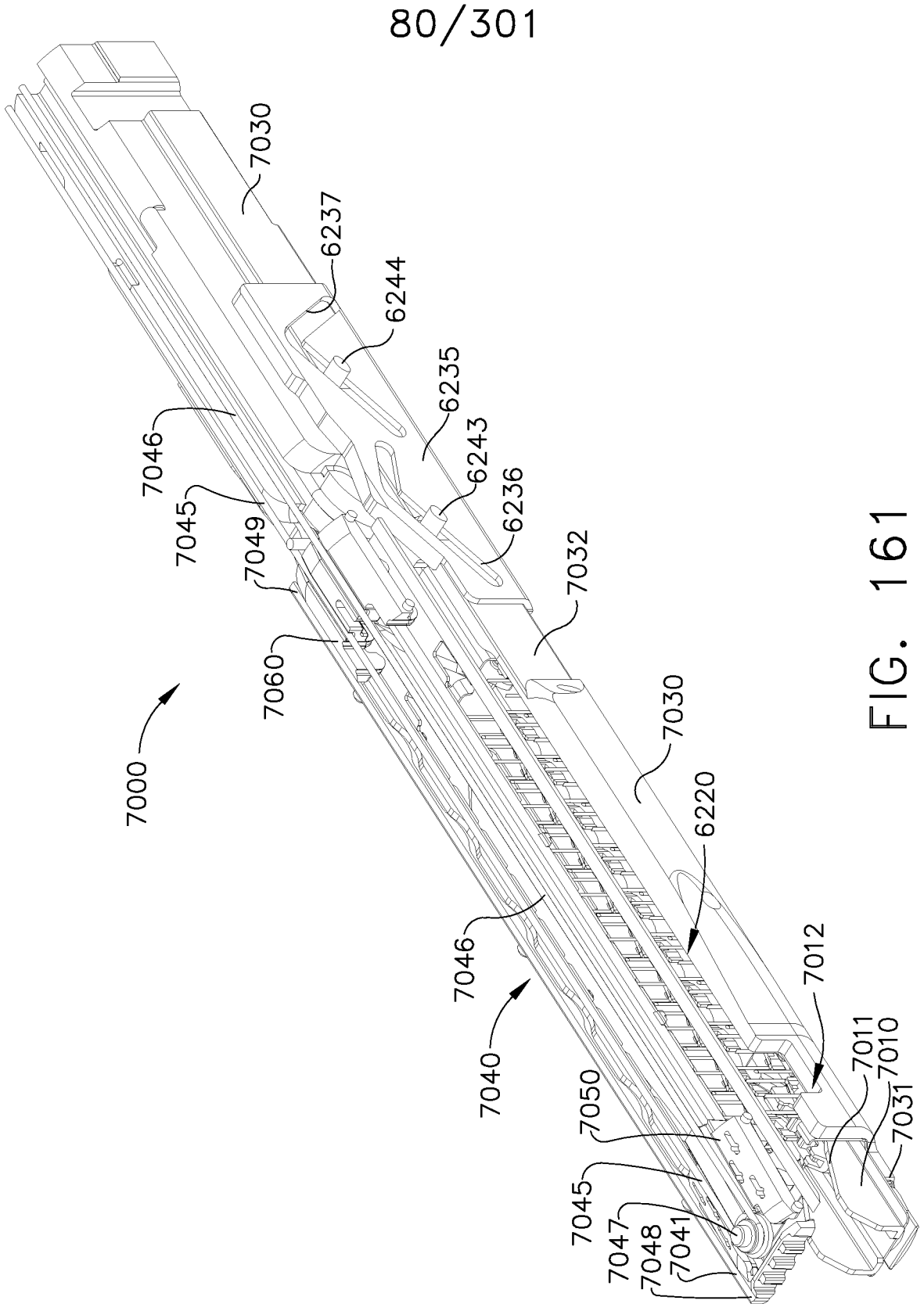


FIG. 161

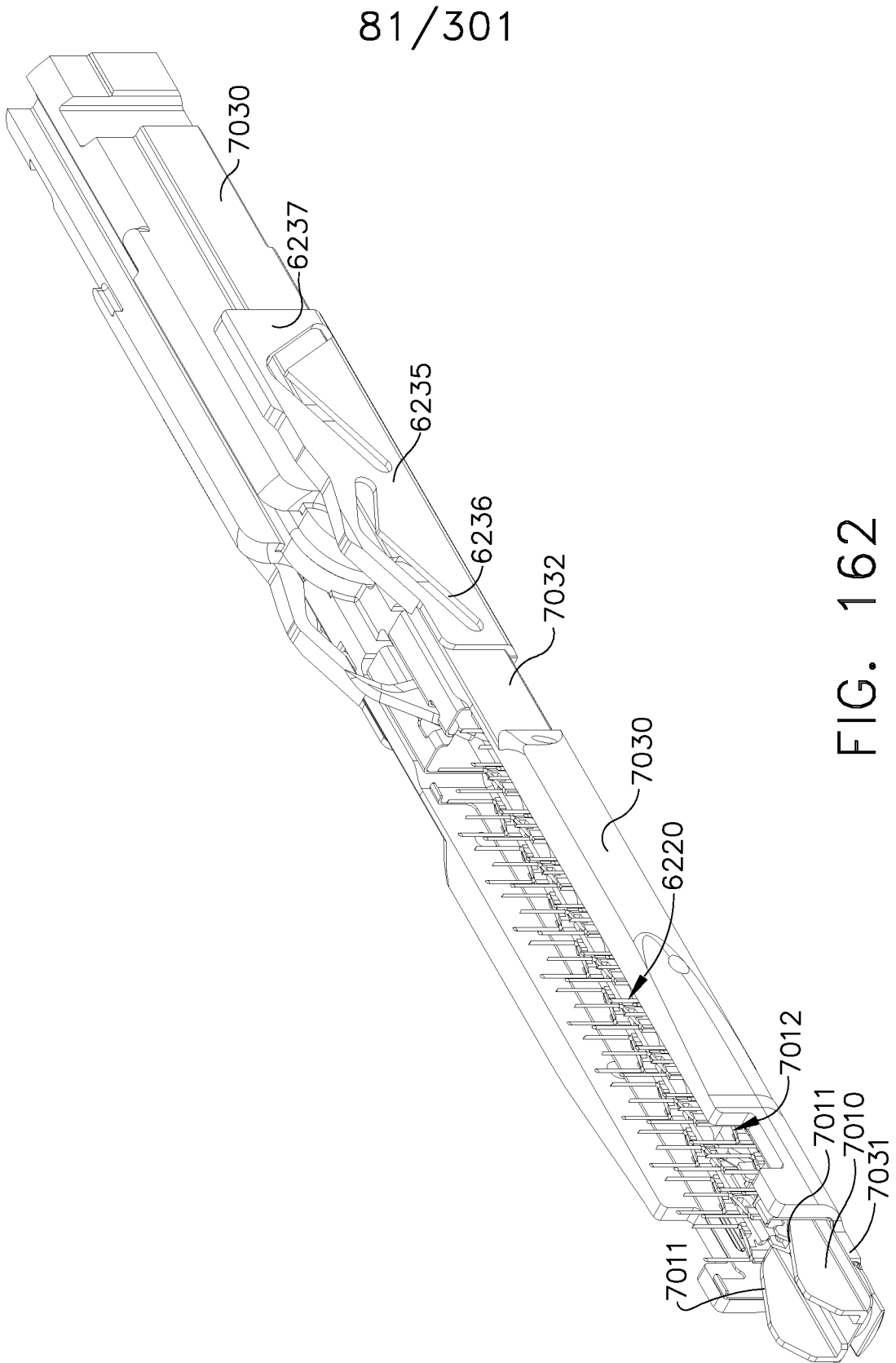


FIG. 162

82/301

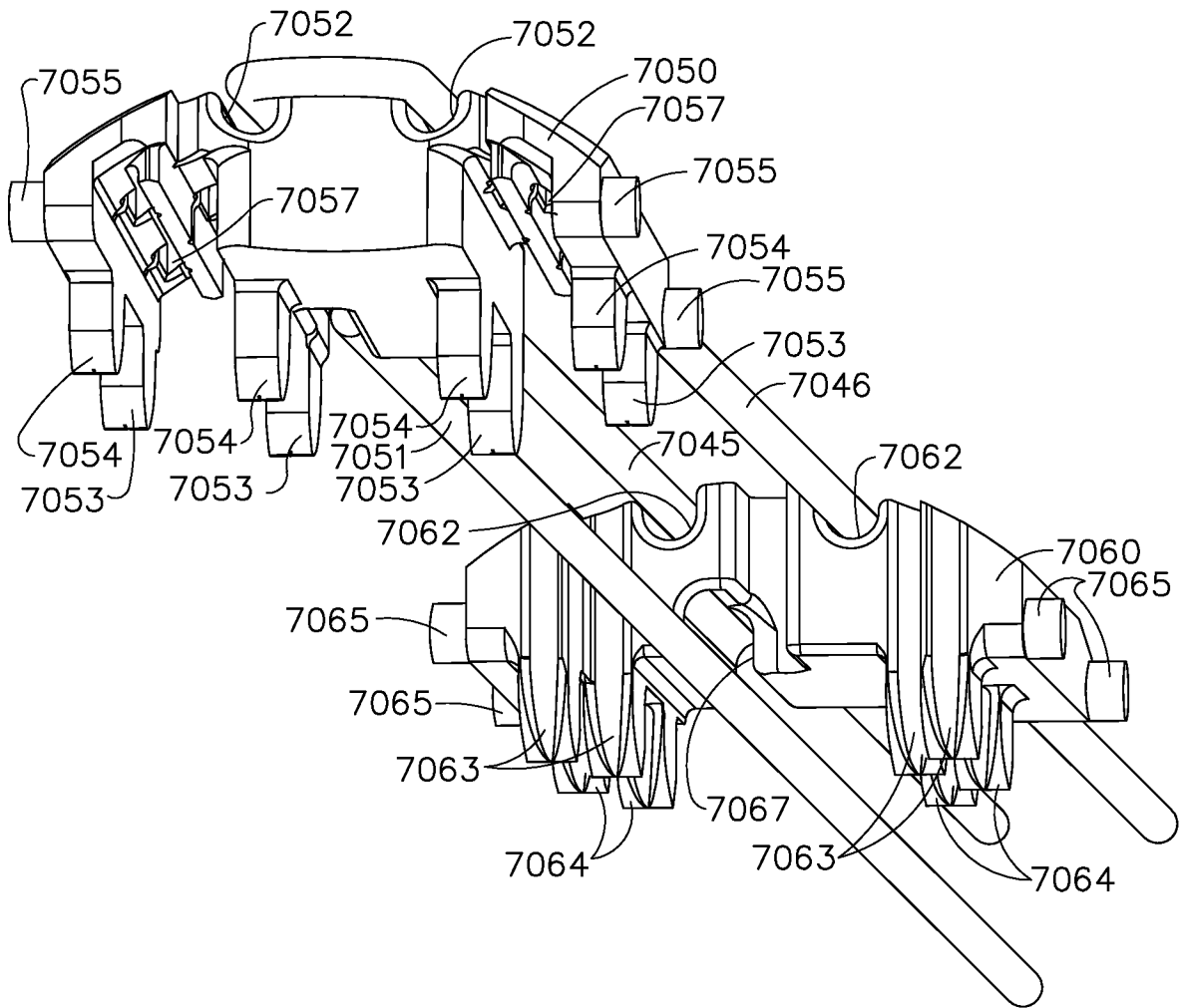


FIG. 163

83/301

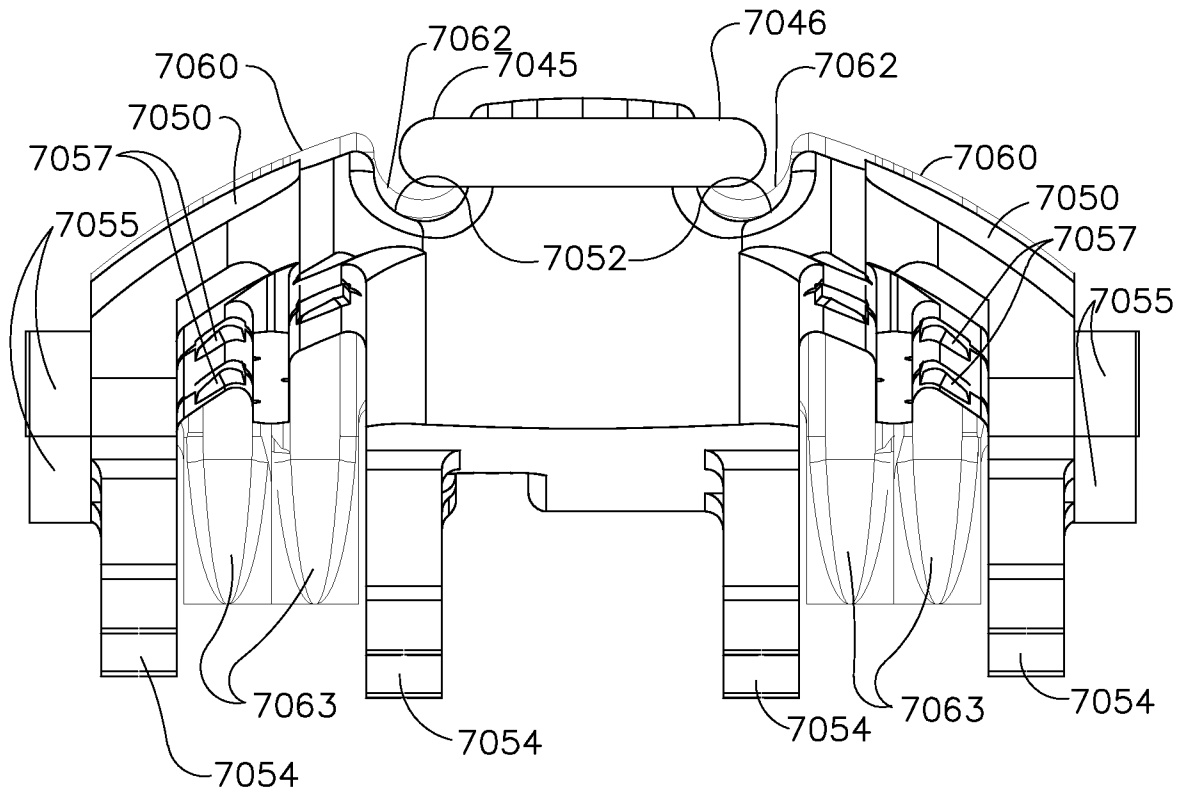


FIG. 164

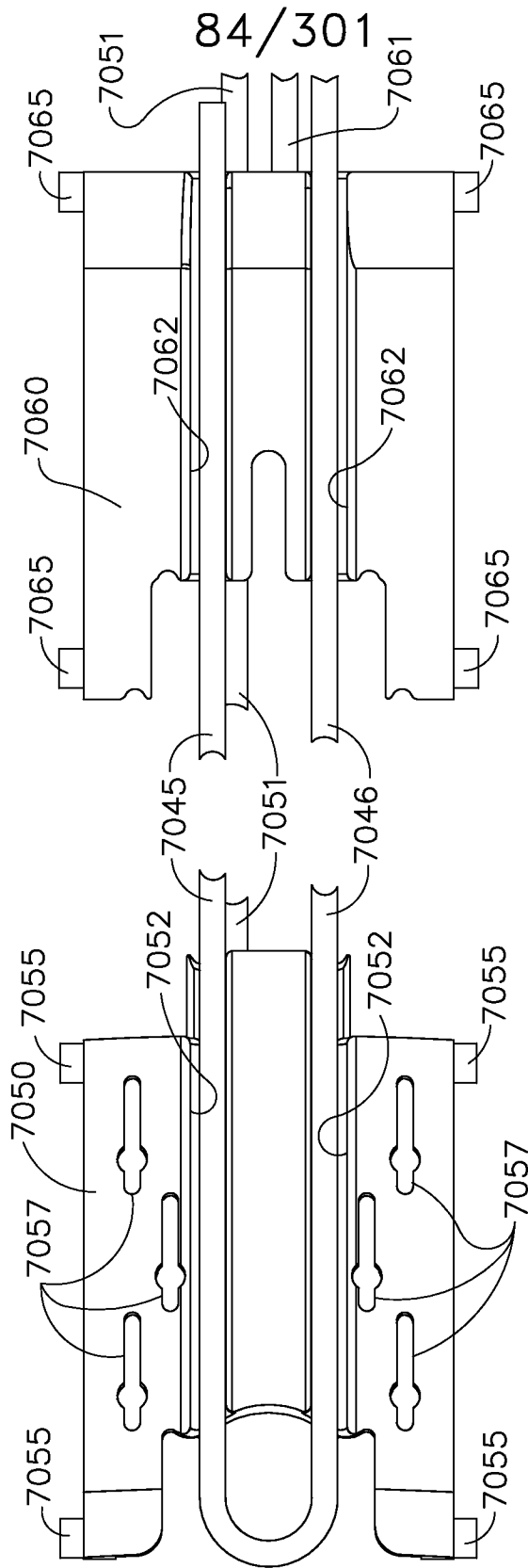


FIG. 165

85/301

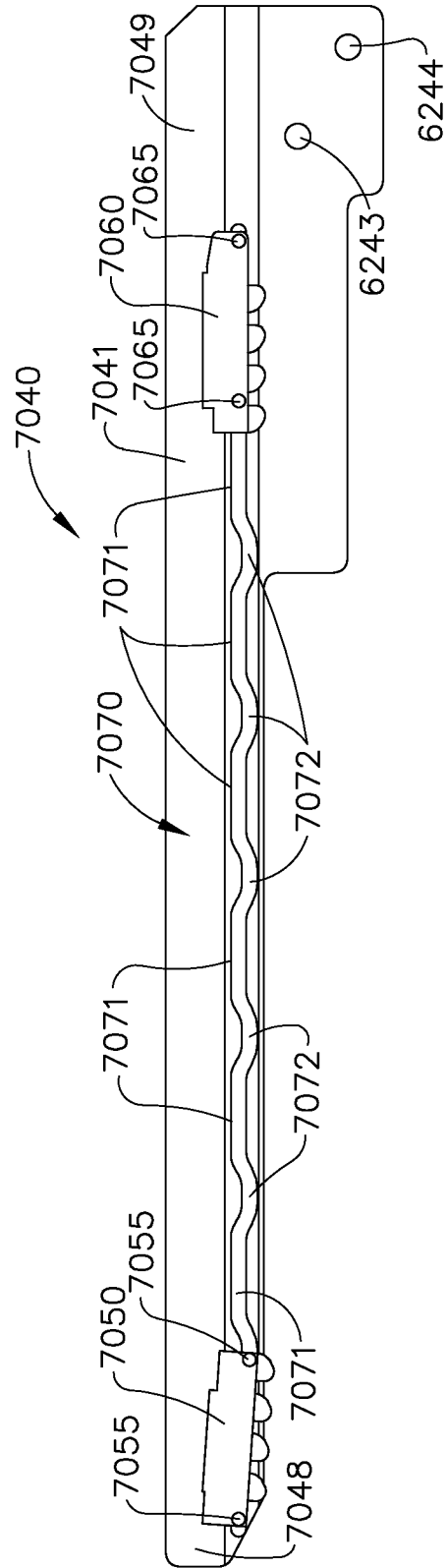


FIG. 166

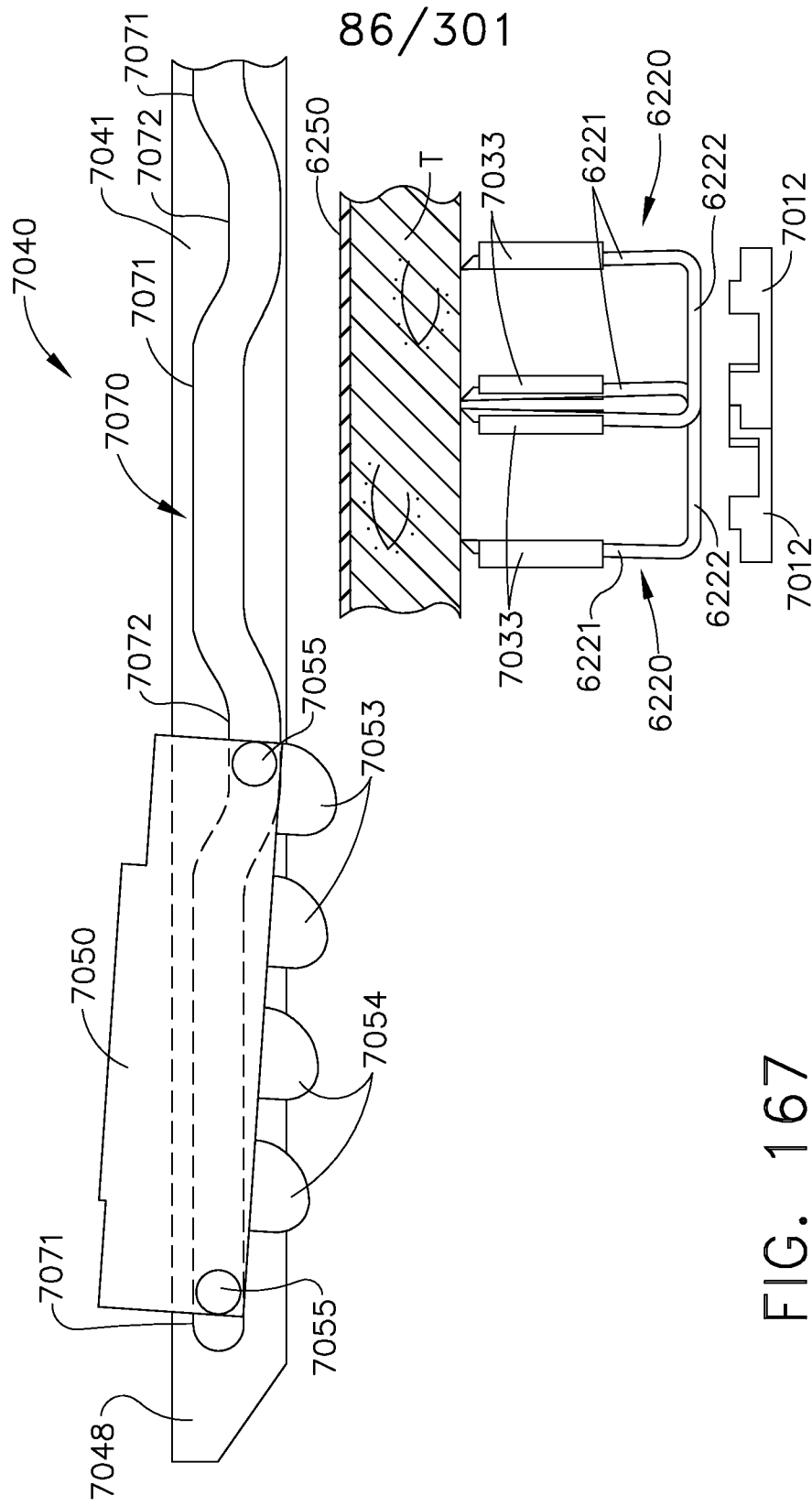


FIG. 167

88/301

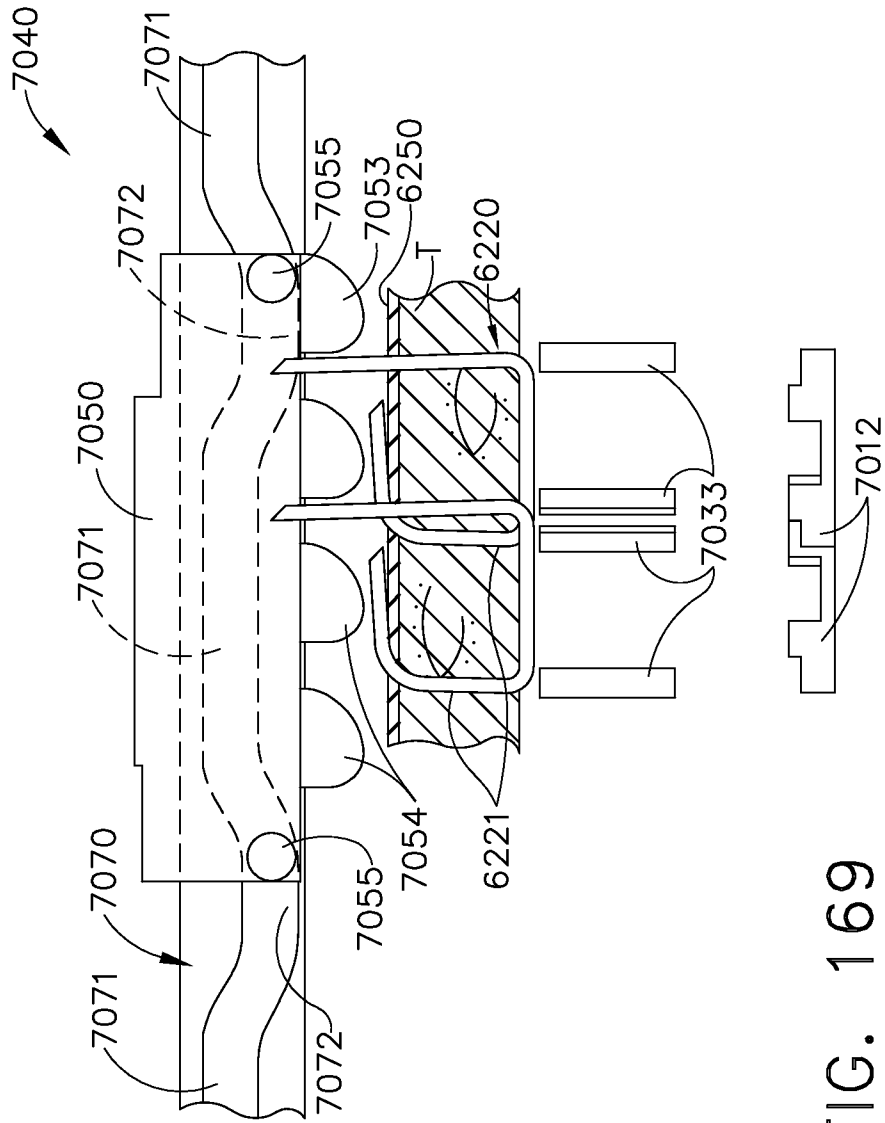


FIG. 169

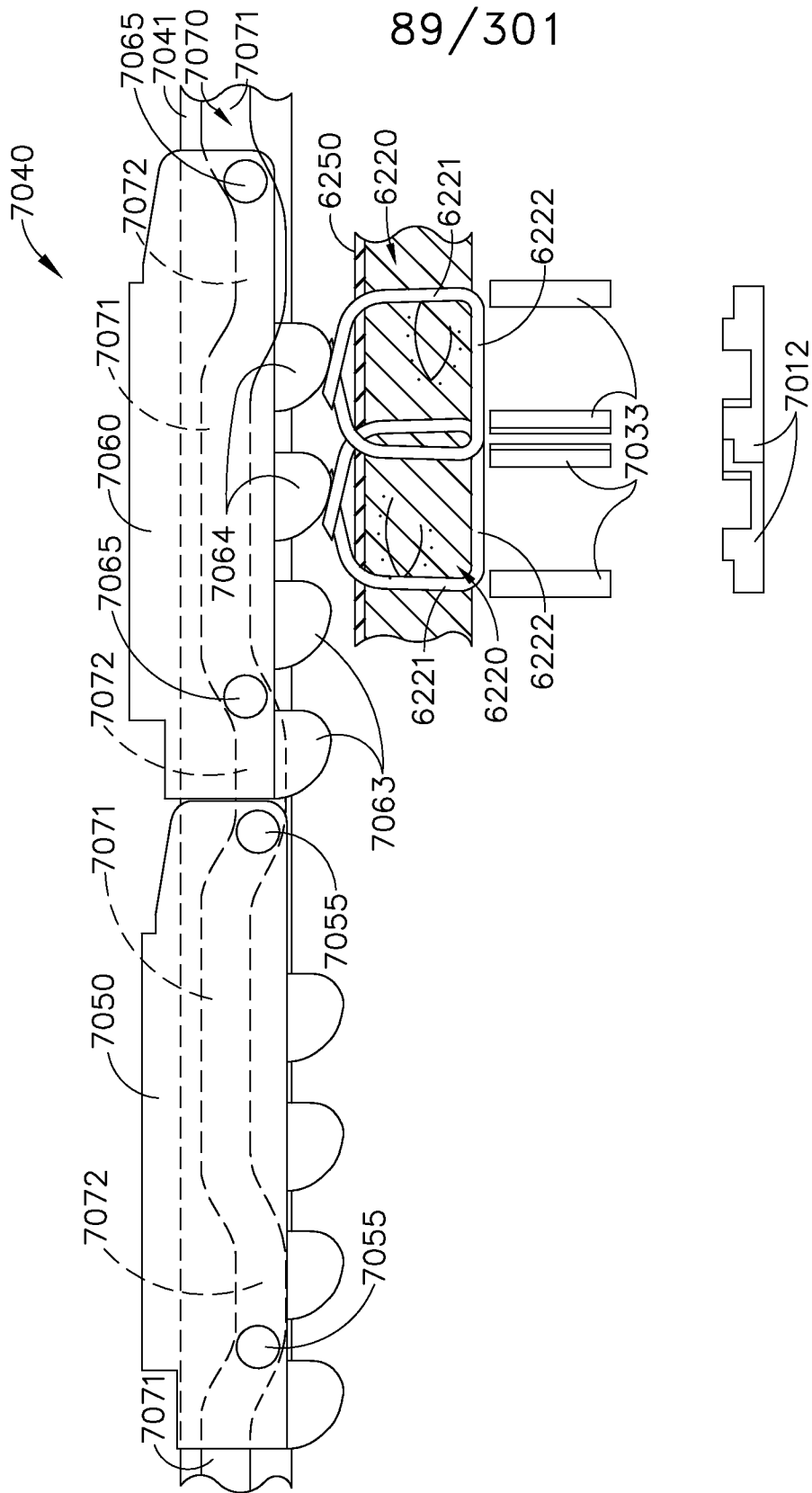


FIG. 170

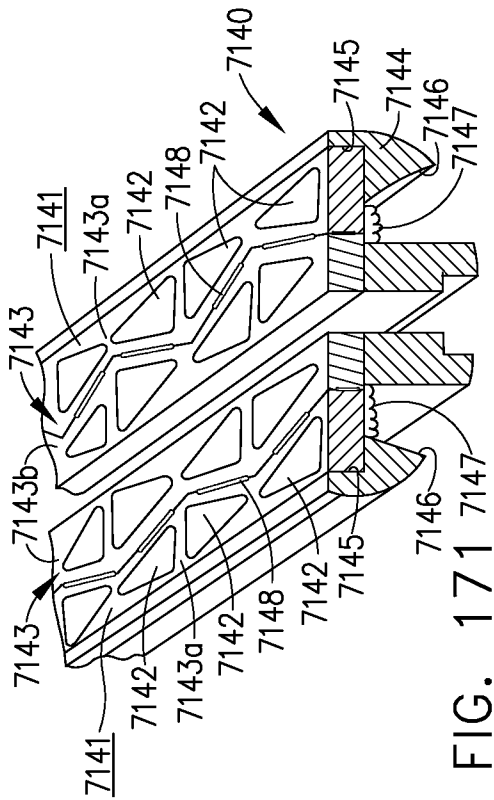


FIG. 171

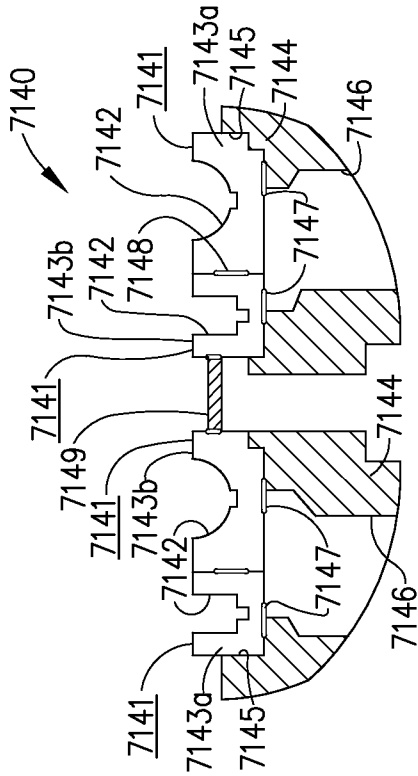


FIG. 172

90/301

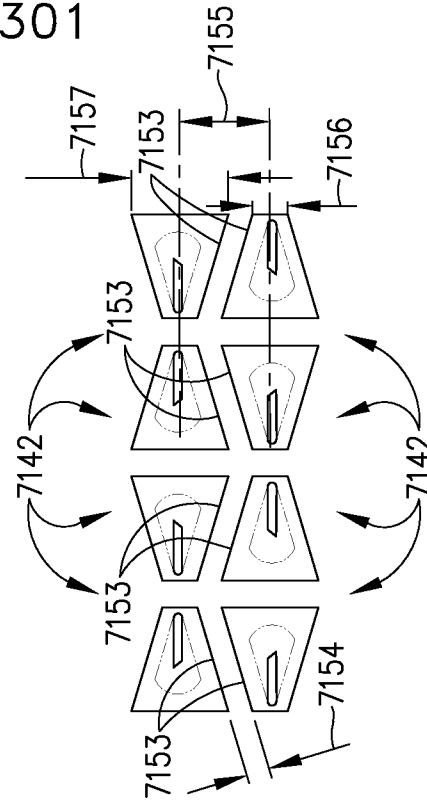


FIG. 175

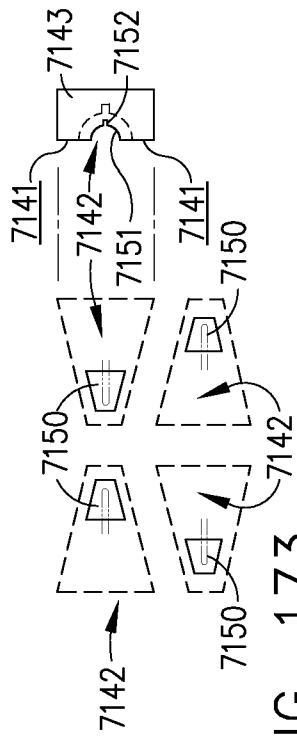


FIG. 173

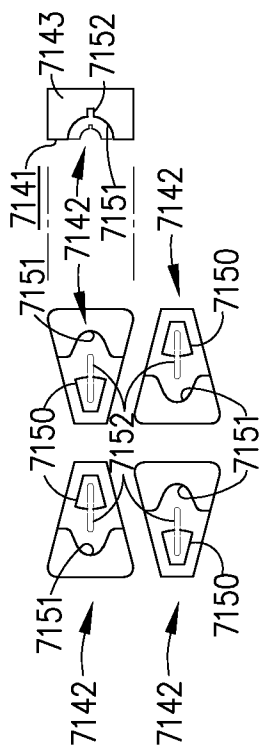


FIG. 174

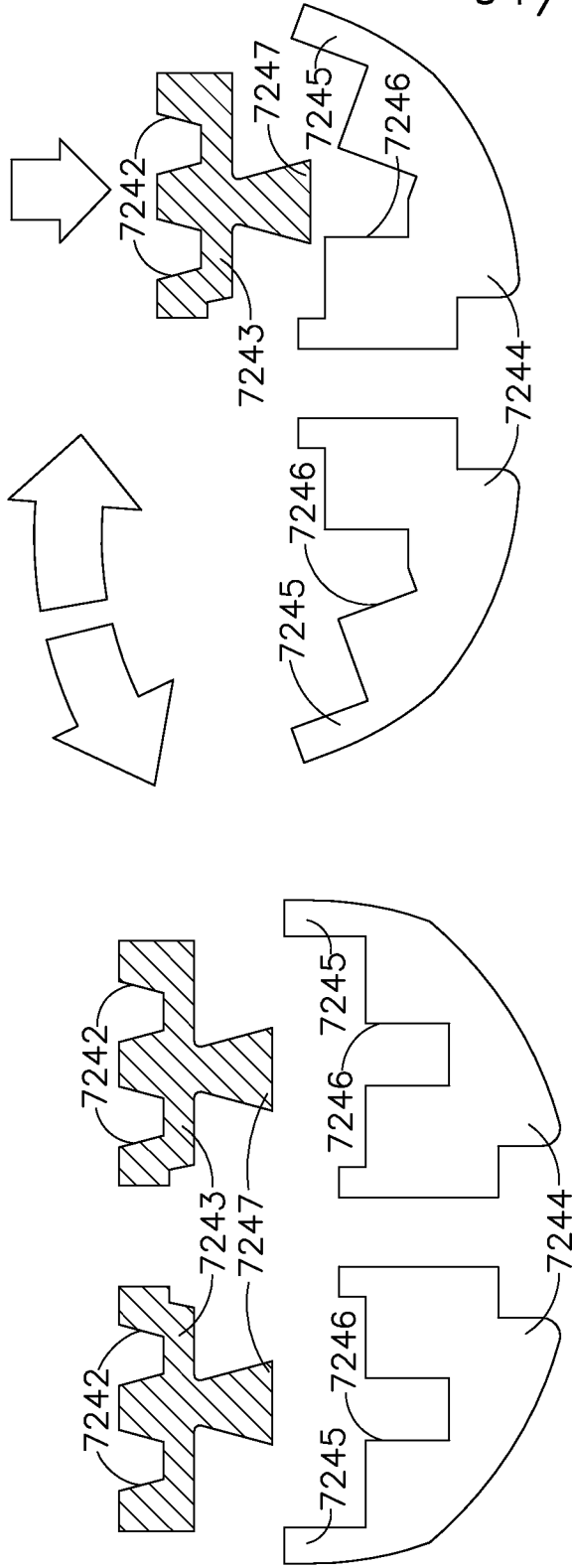


FIG. 176

FIG. 177

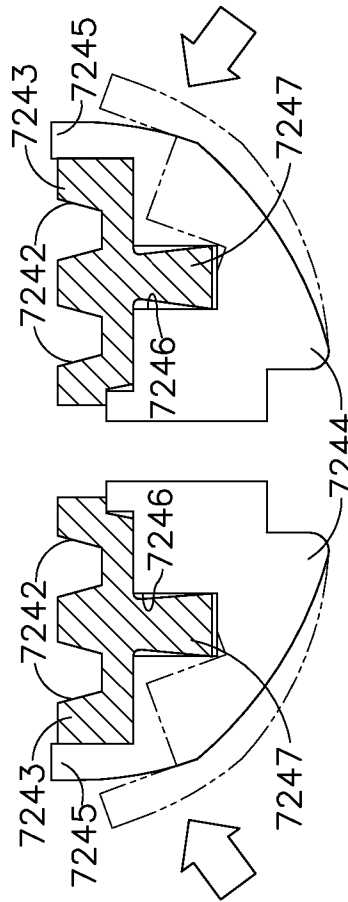


FIG. 178

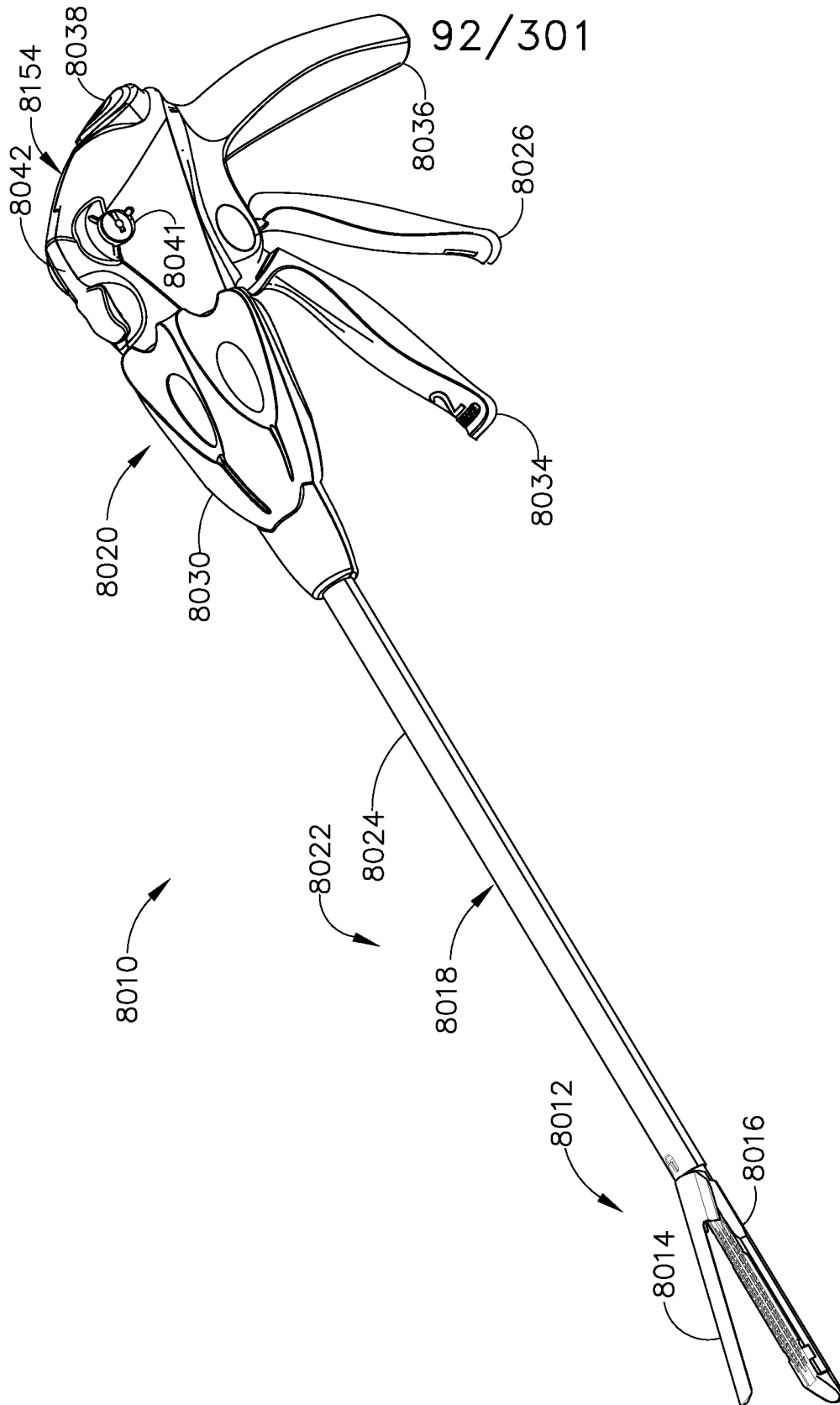


FIG. 179

93/301

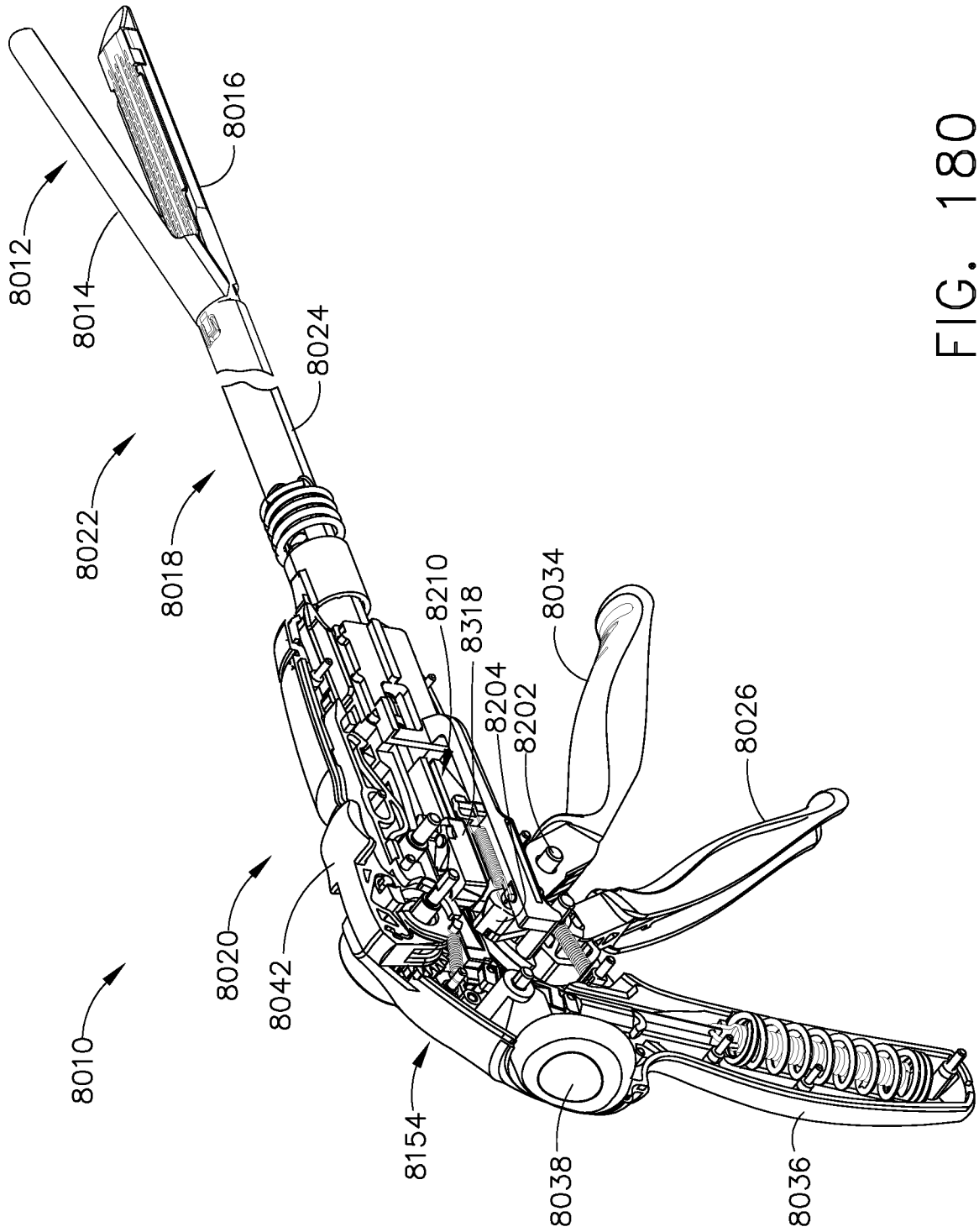


FIG. 180

94/301

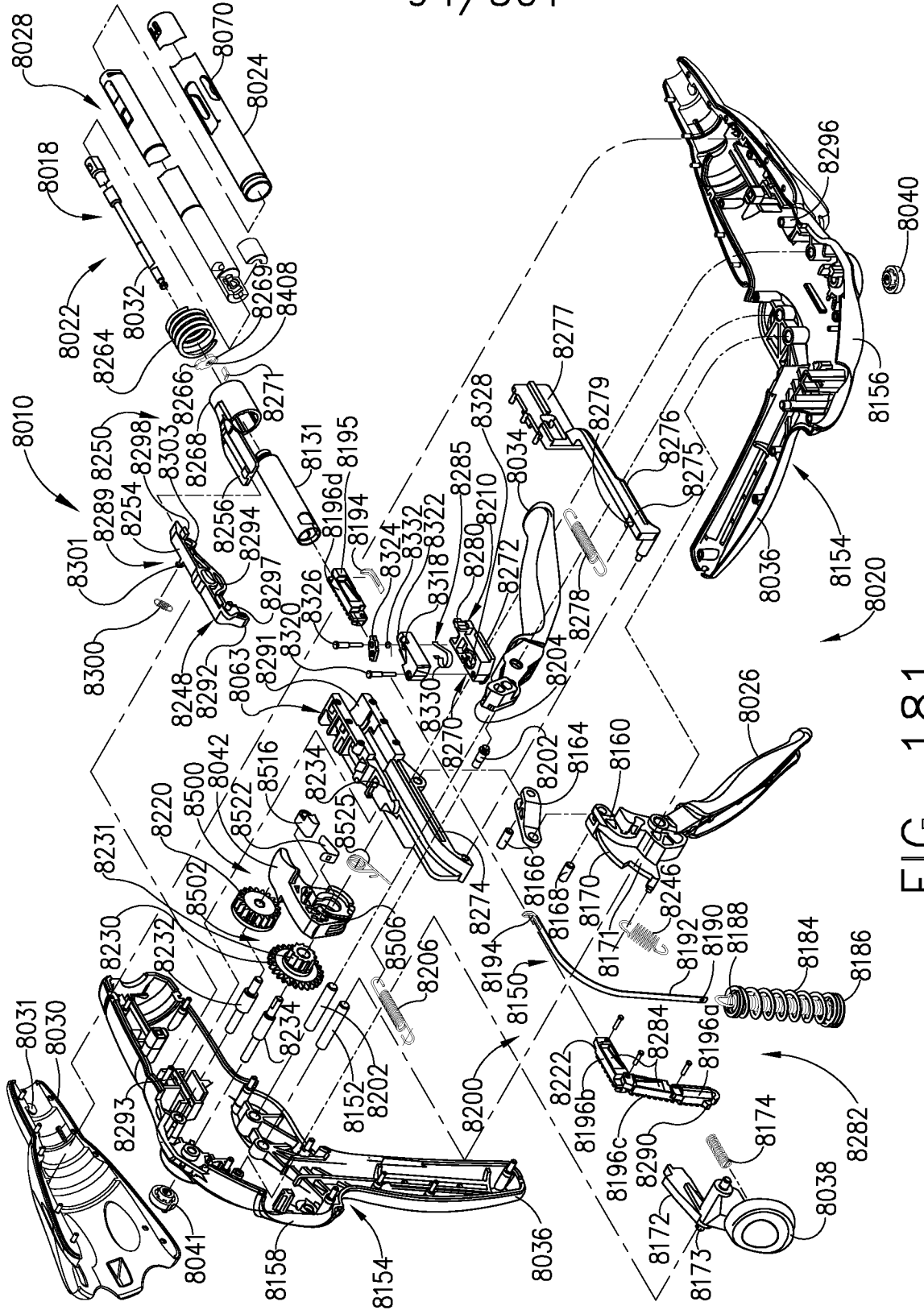


FIG. 181

95/301

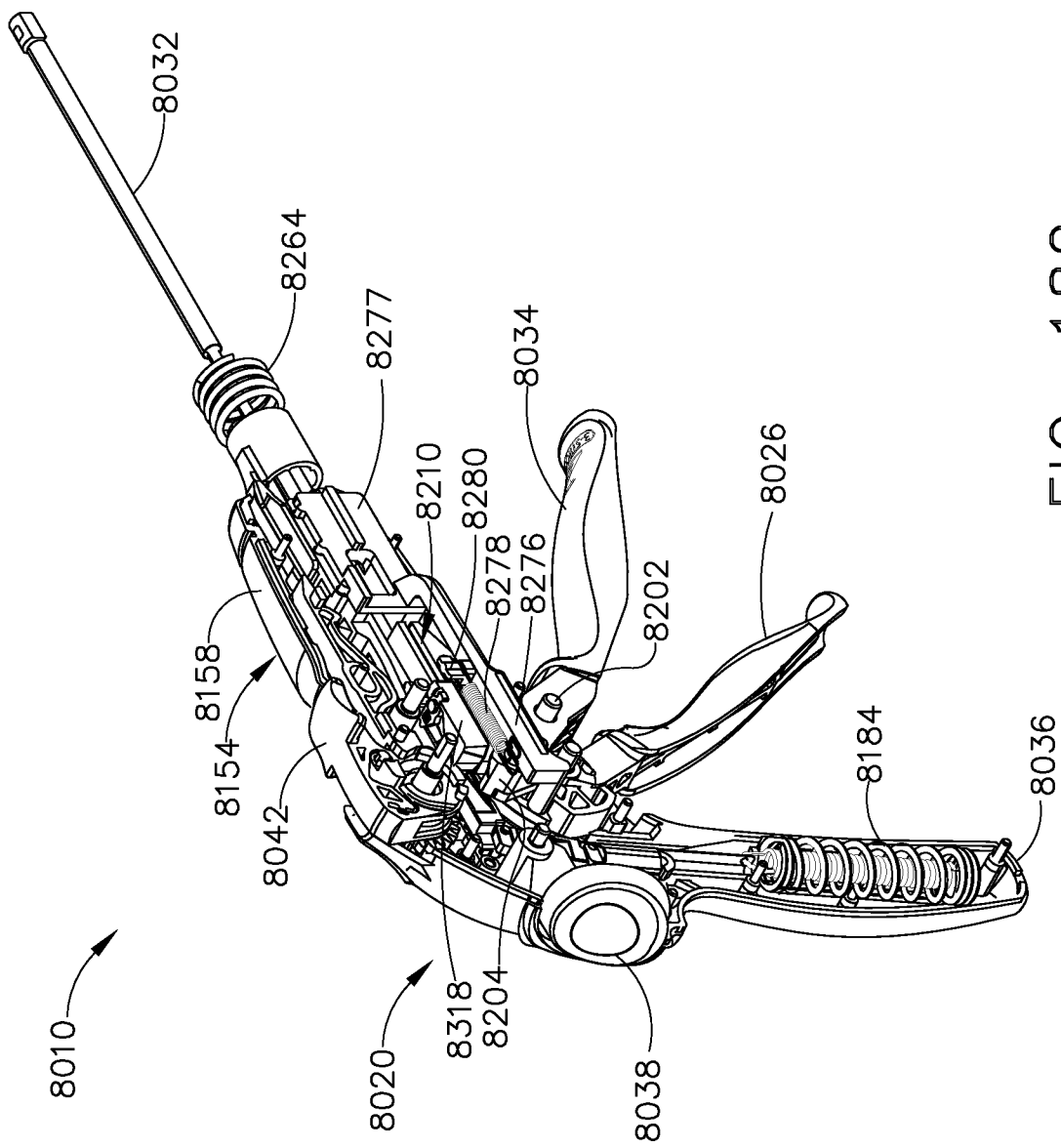


FIG. 182

96/301

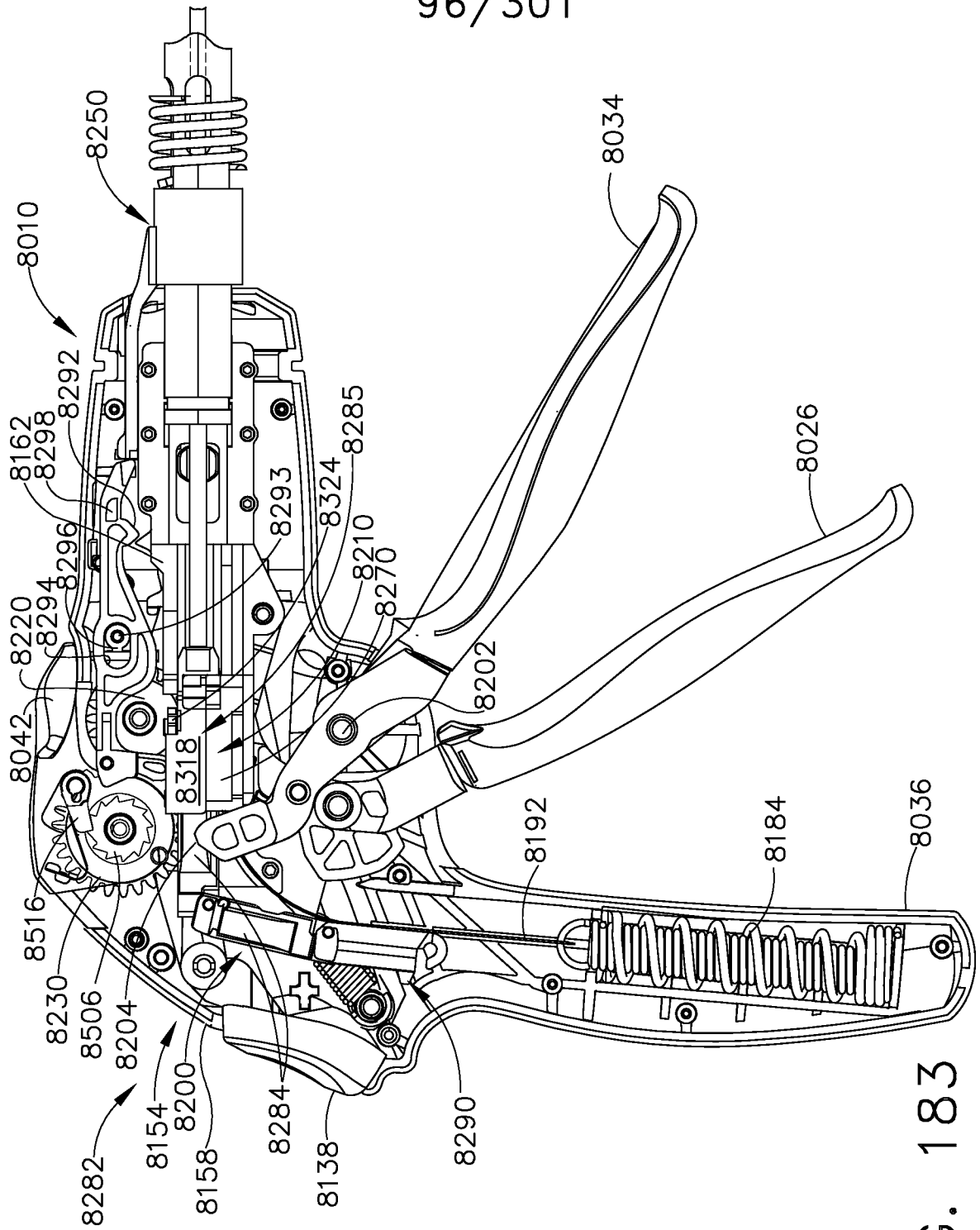


FIG. 183

97/301

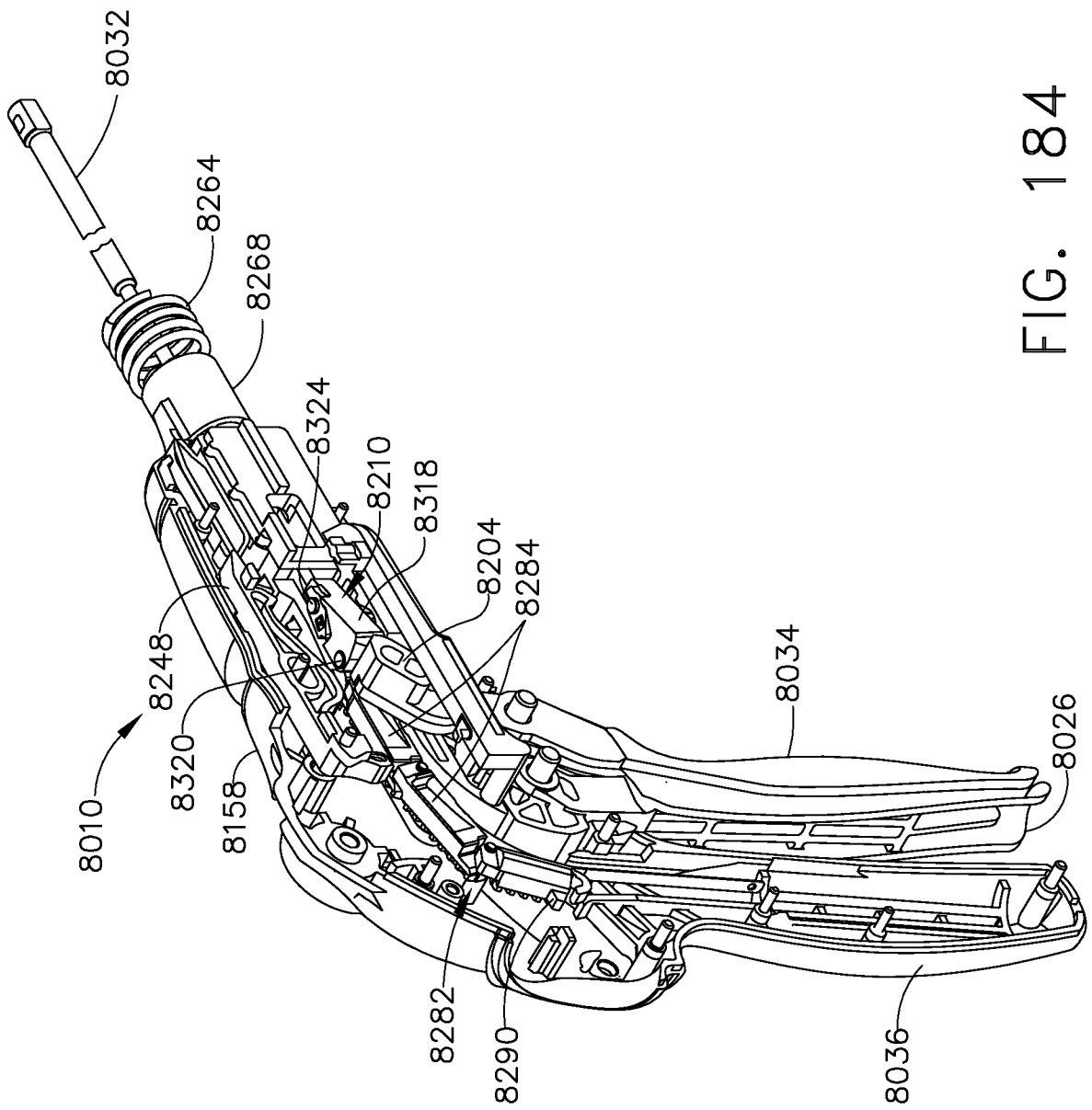


FIG. 184

98/301

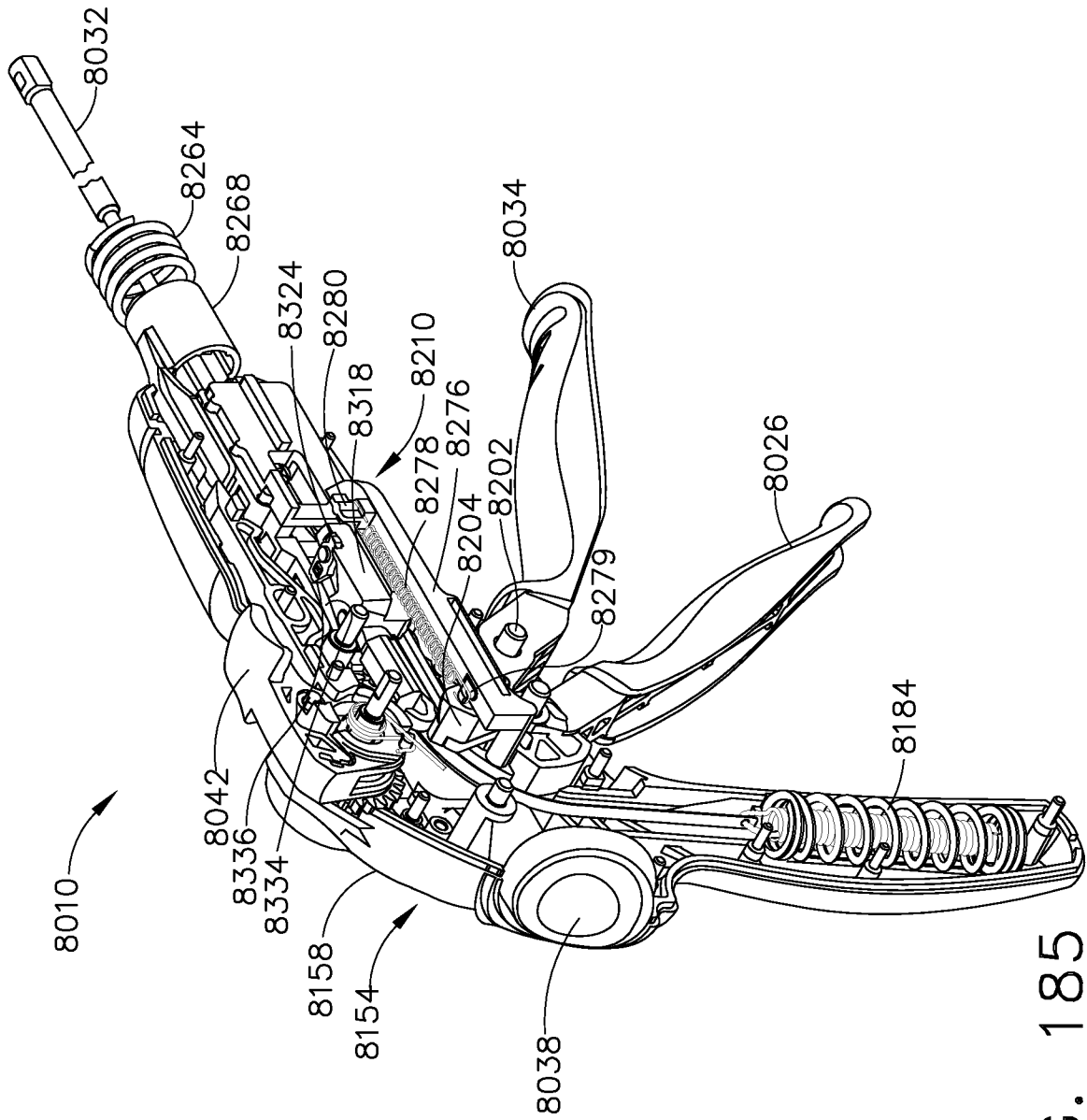


FIG. 185

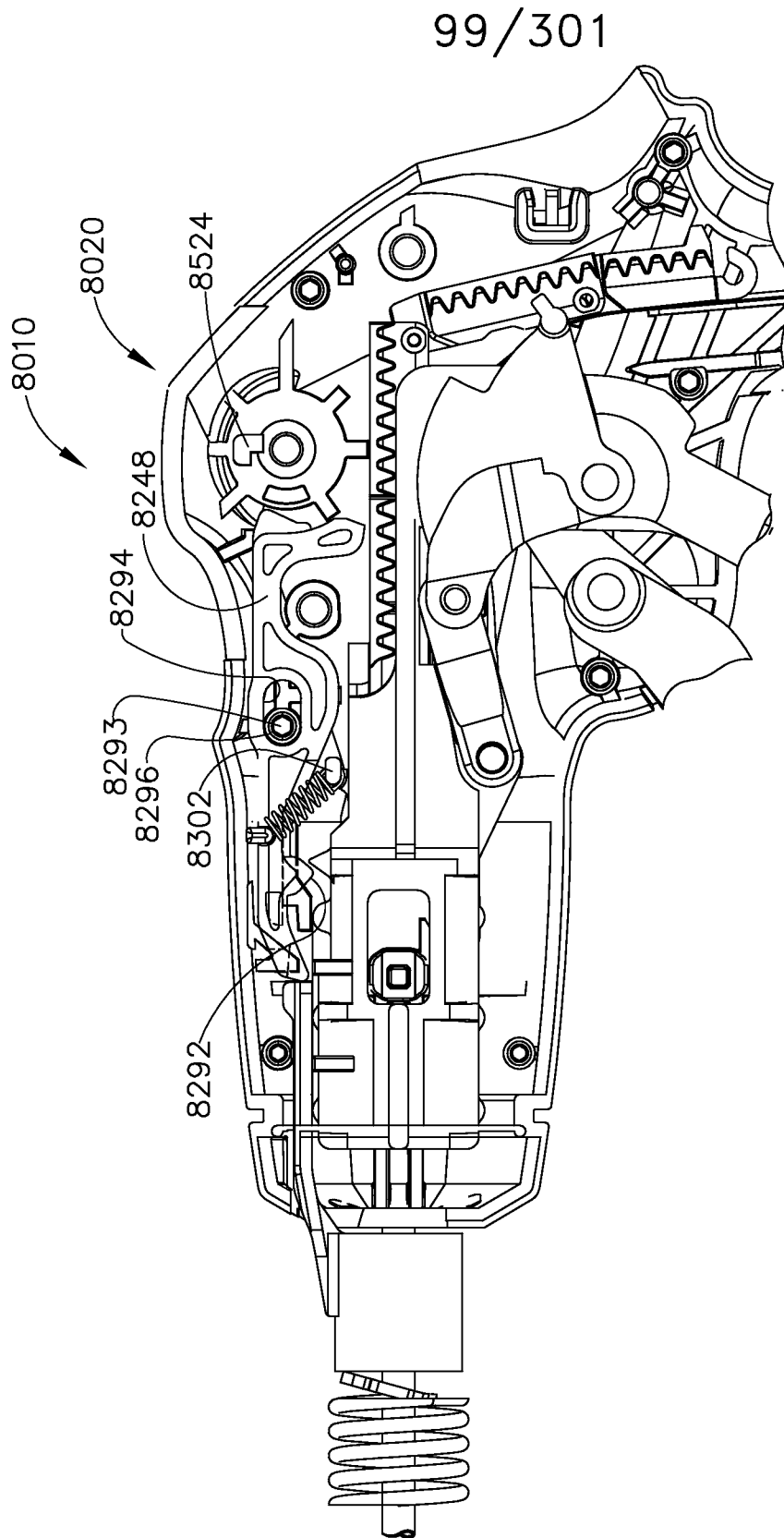


FIG. 186

100/301

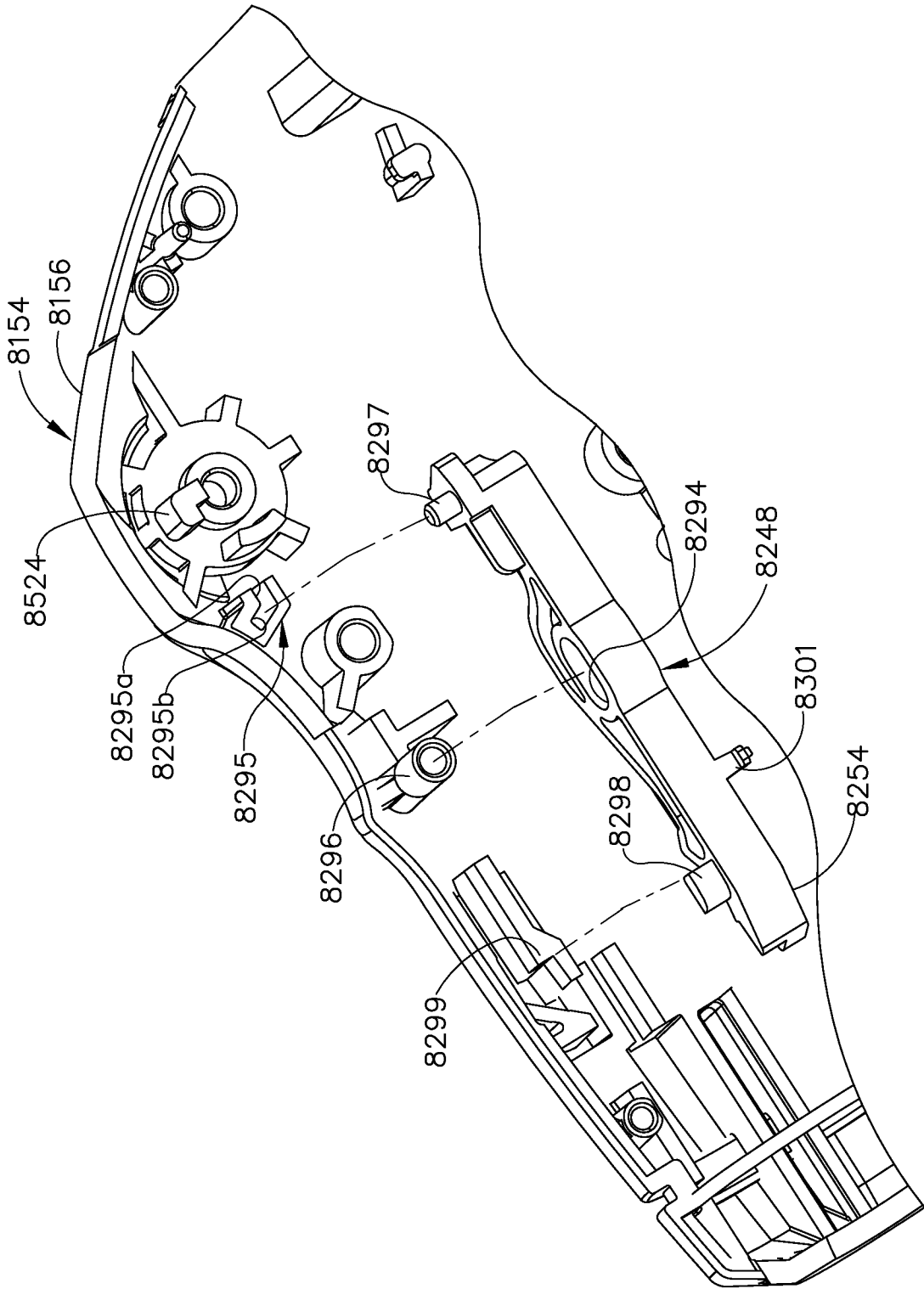


FIG. 187

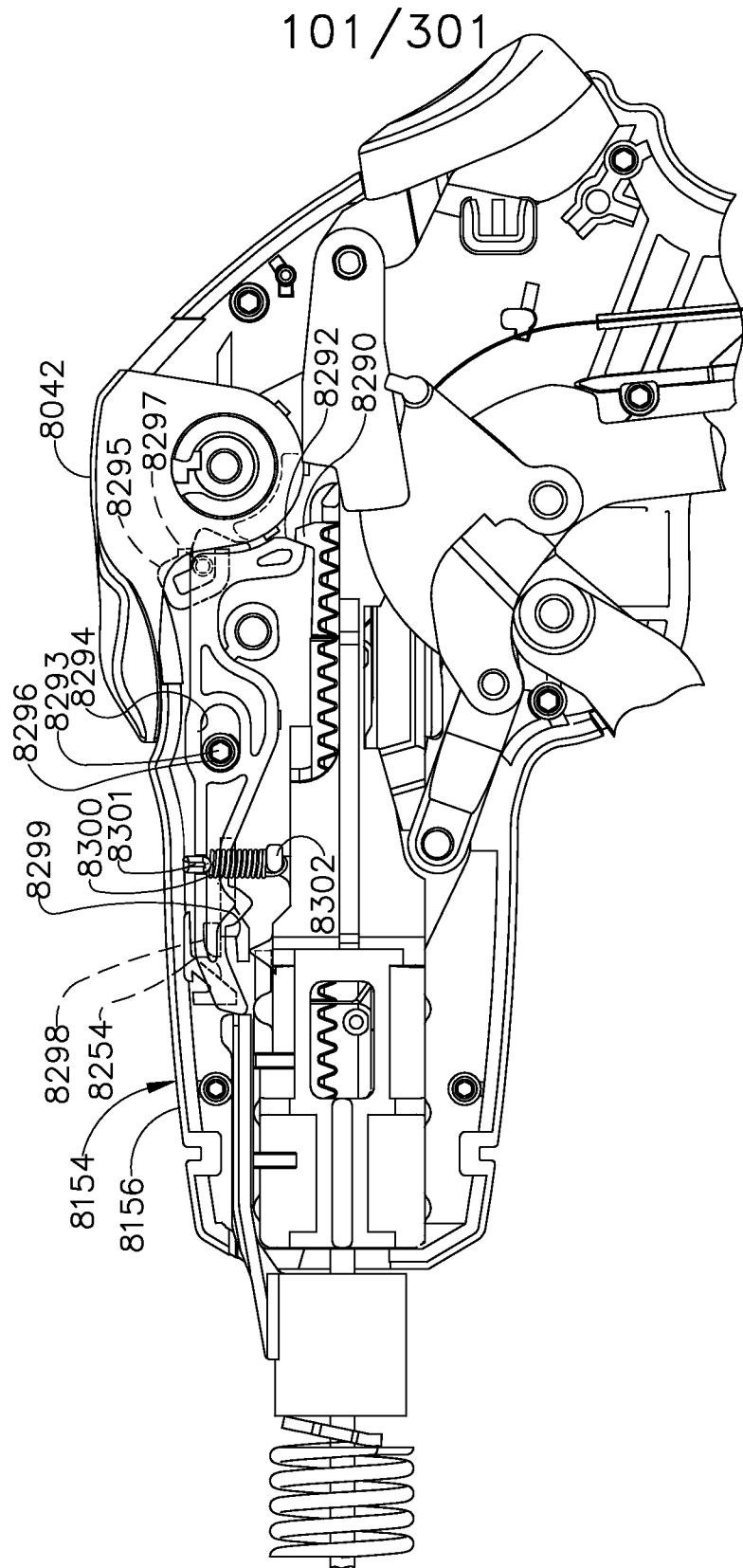


FIG. 188

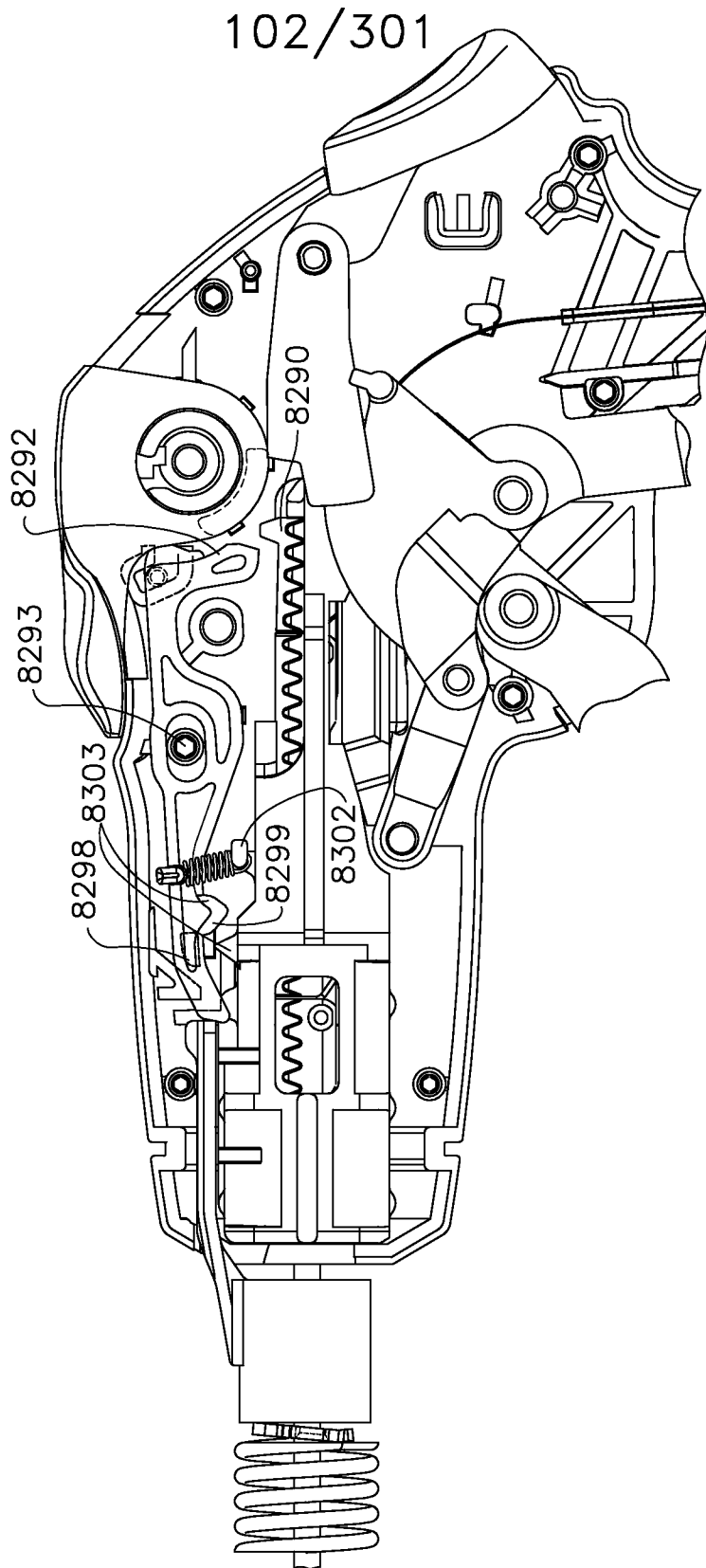


FIG. 189

103/301

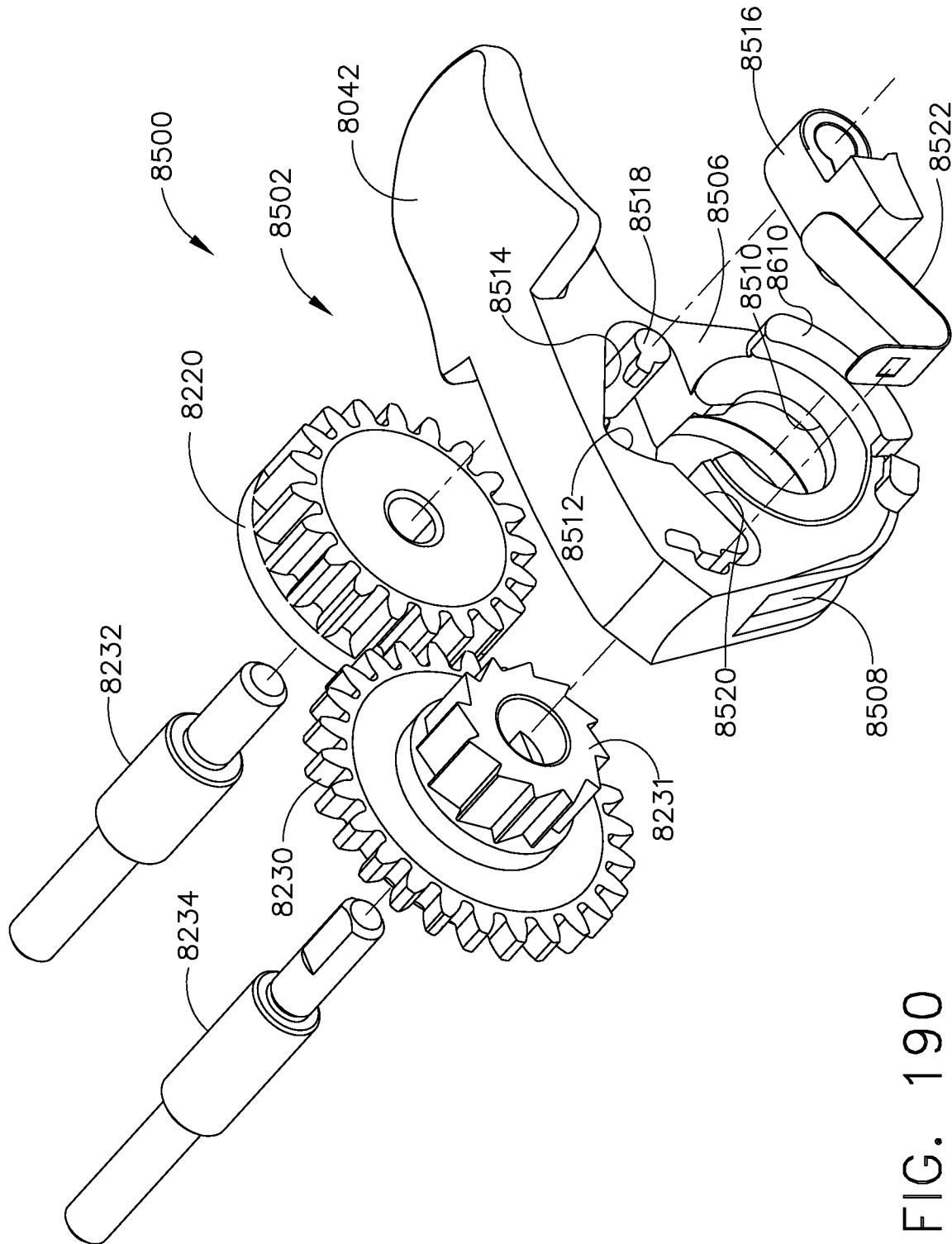


FIG. 190

104/301

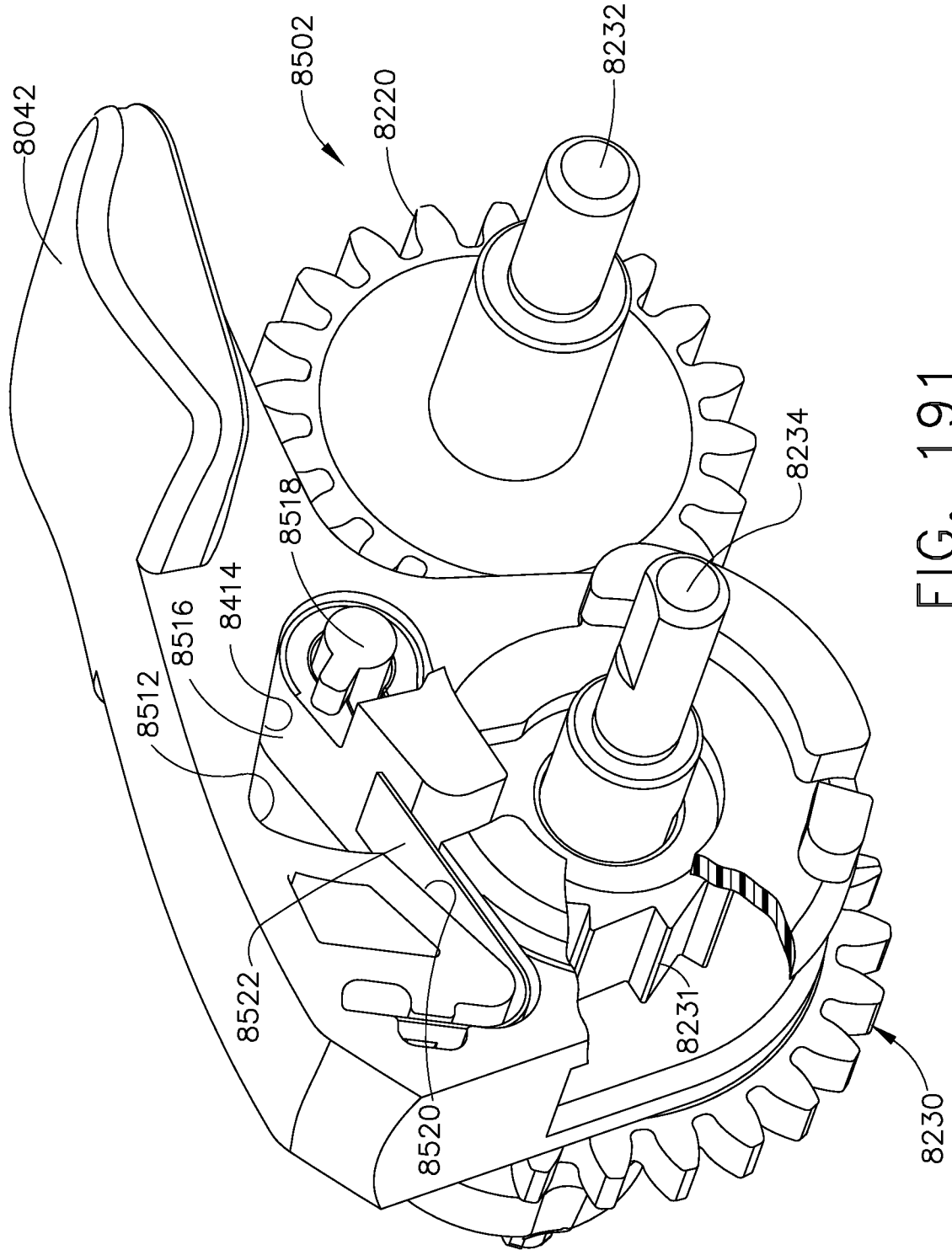


FIG. 191

105/301

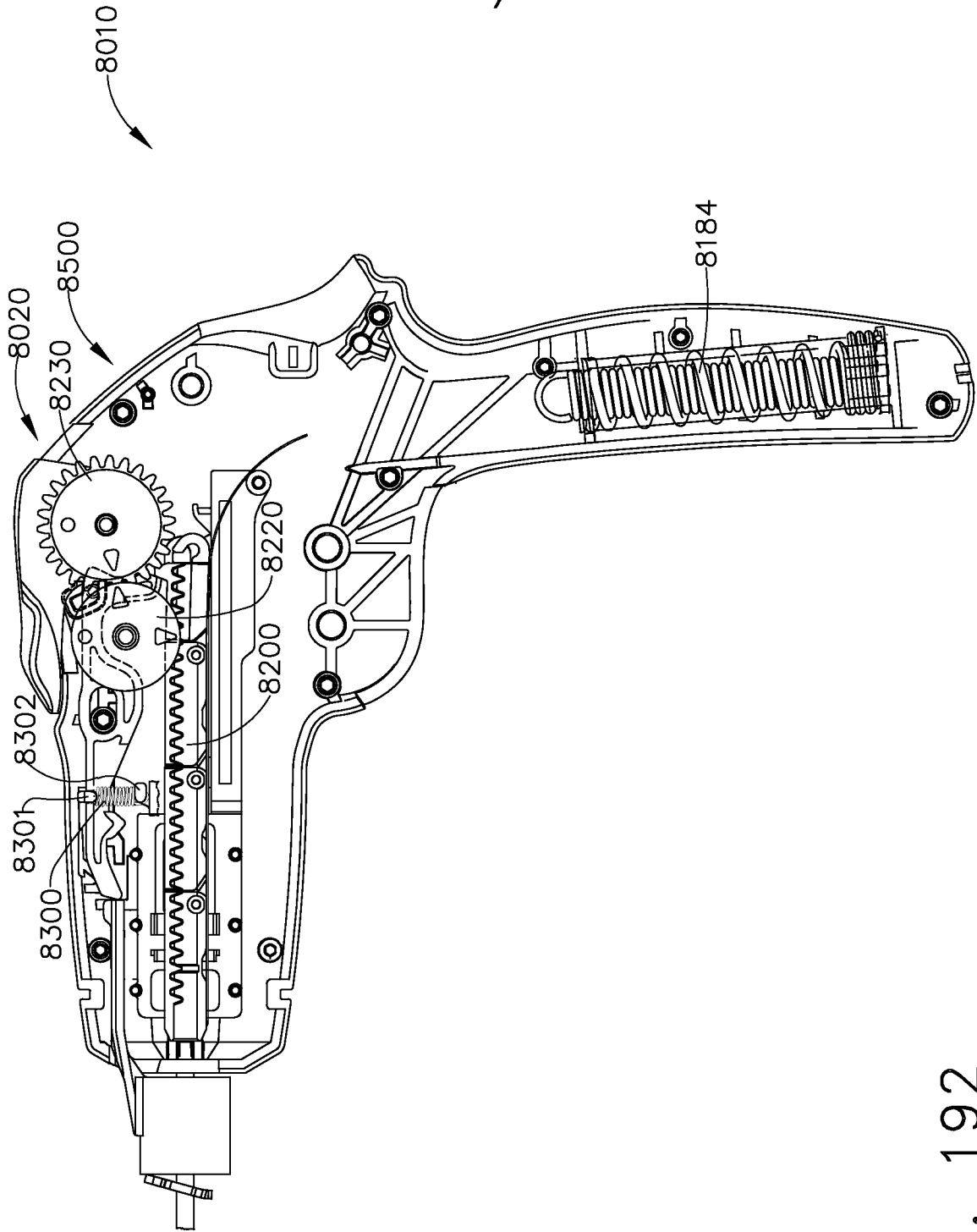


FIG. 192

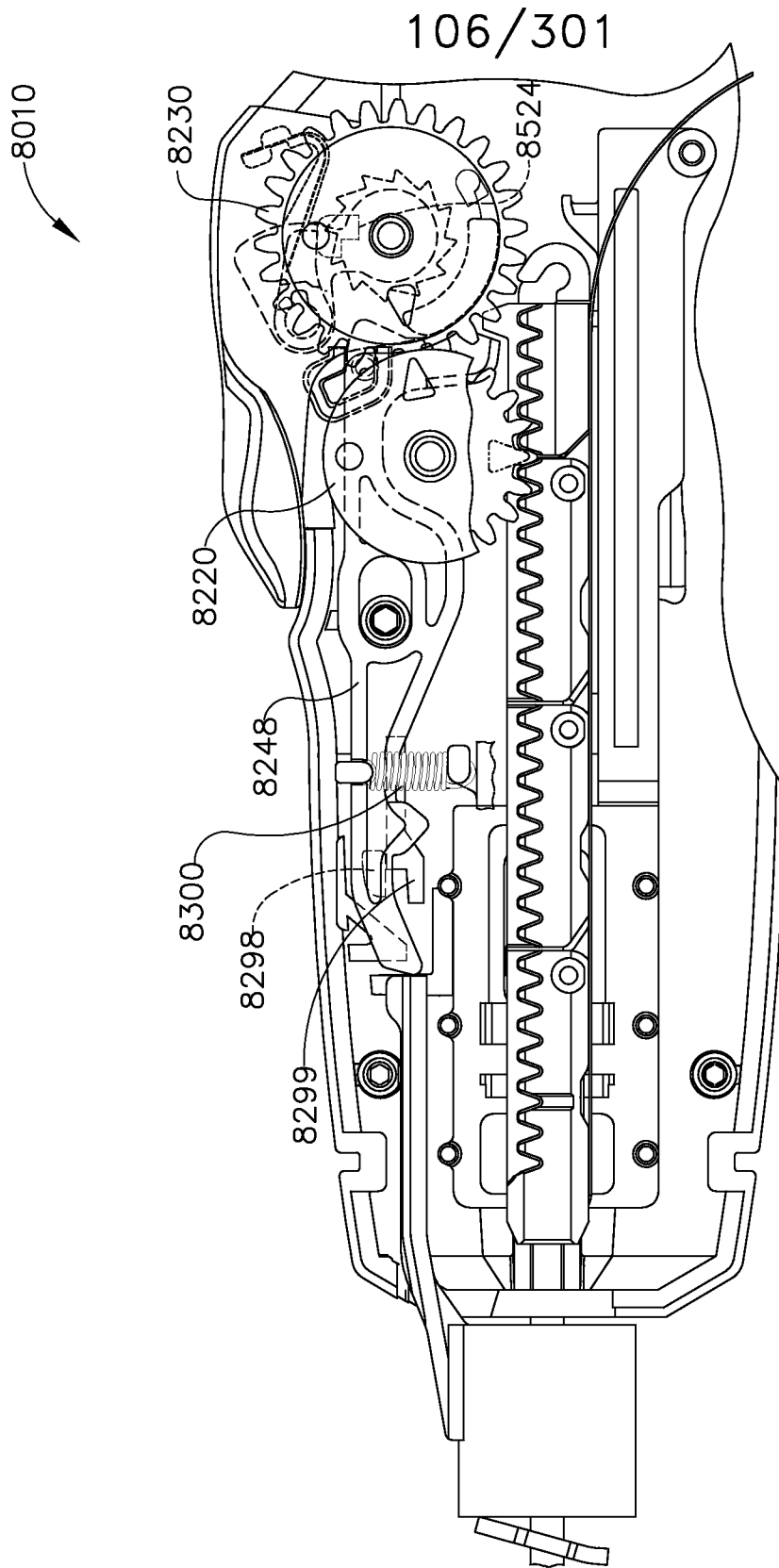


FIG. 193

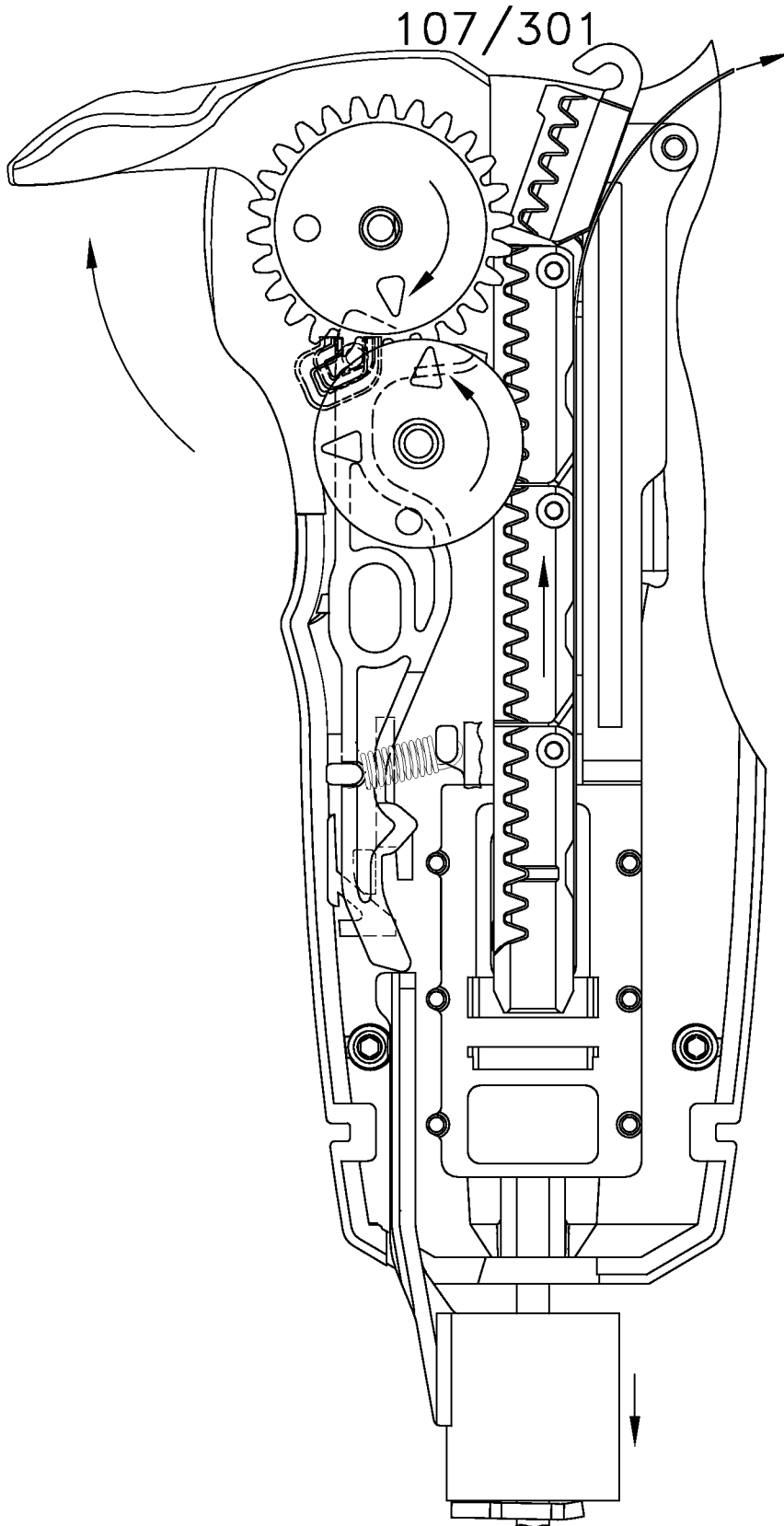


FIG. 194

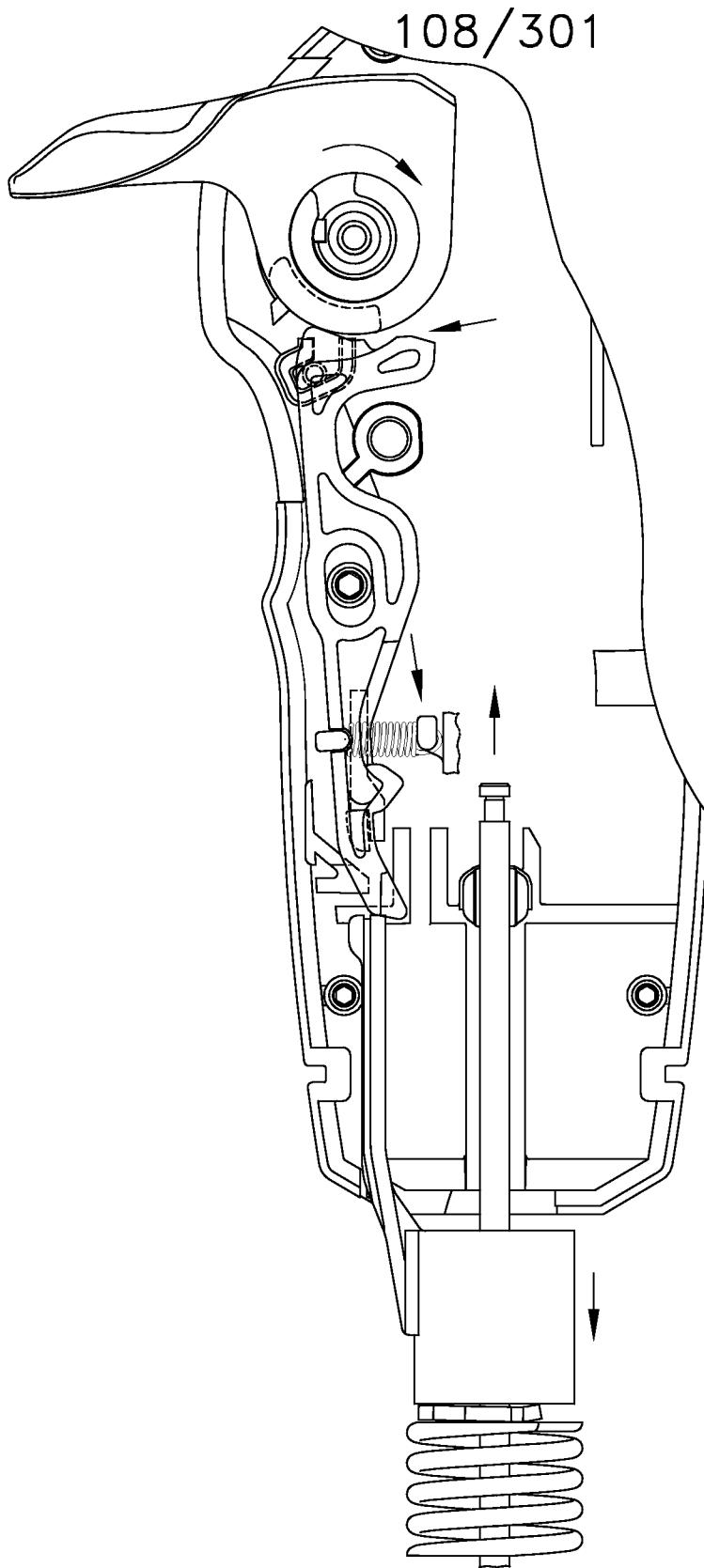


FIG. 195

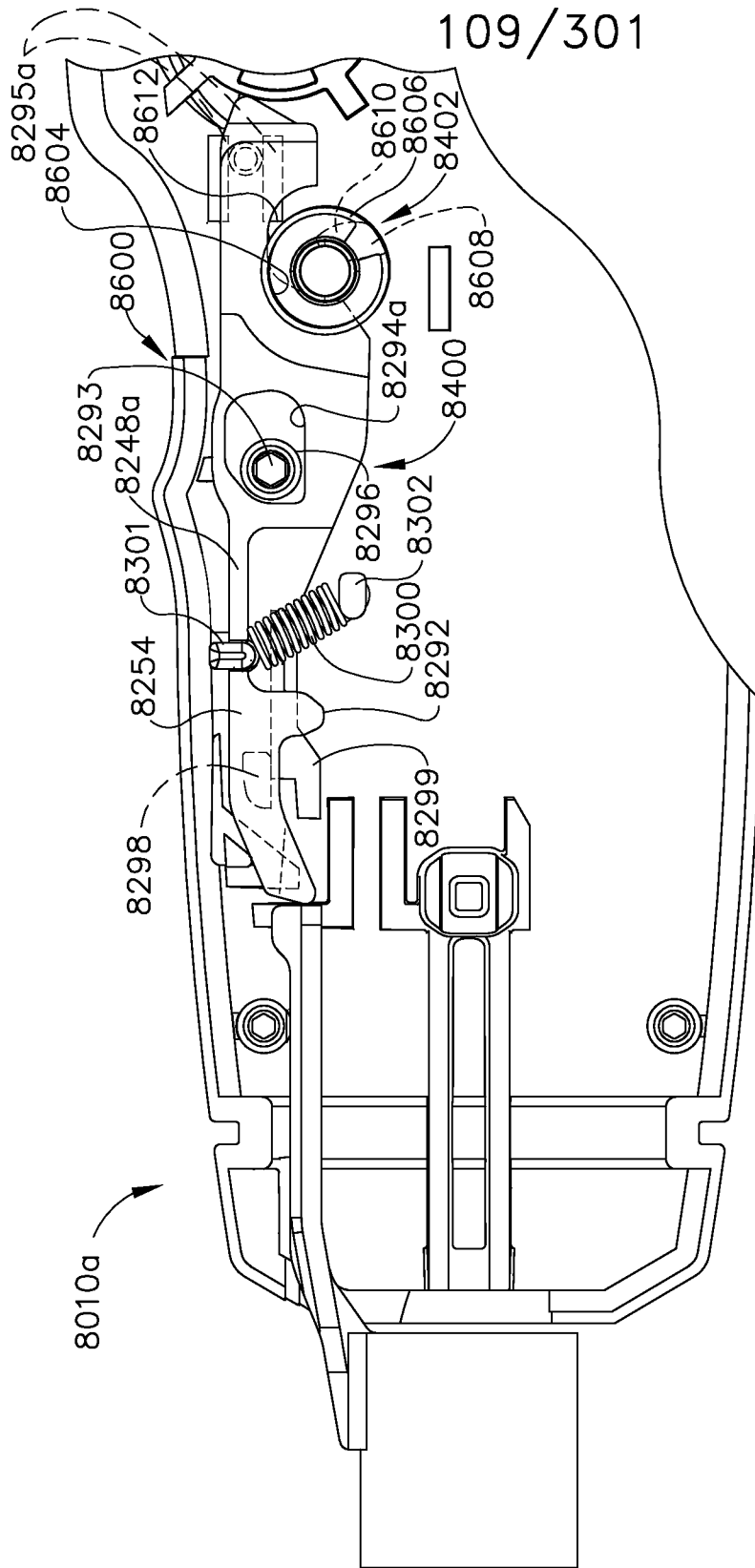


FIG. 196

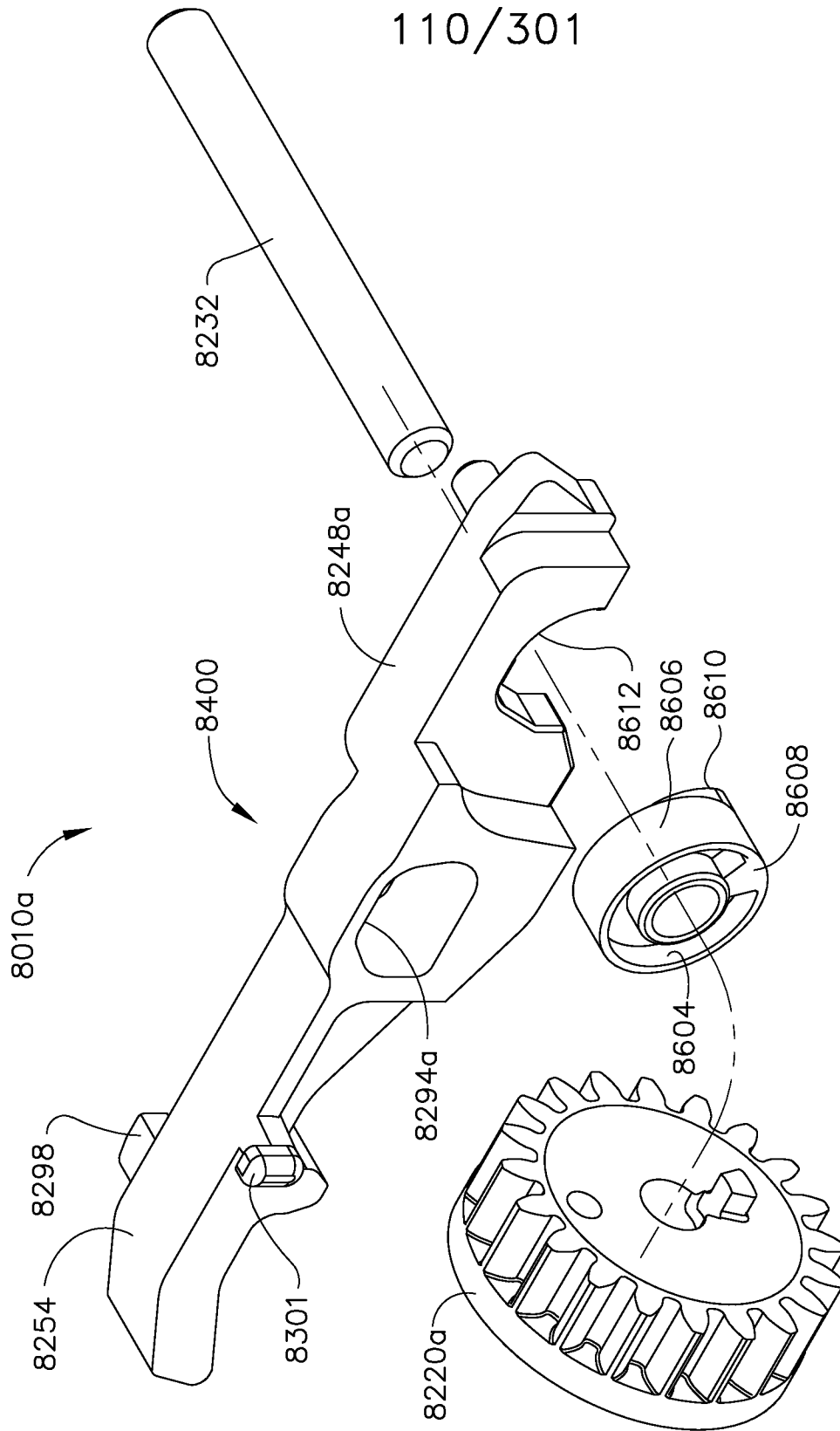


FIG. 197

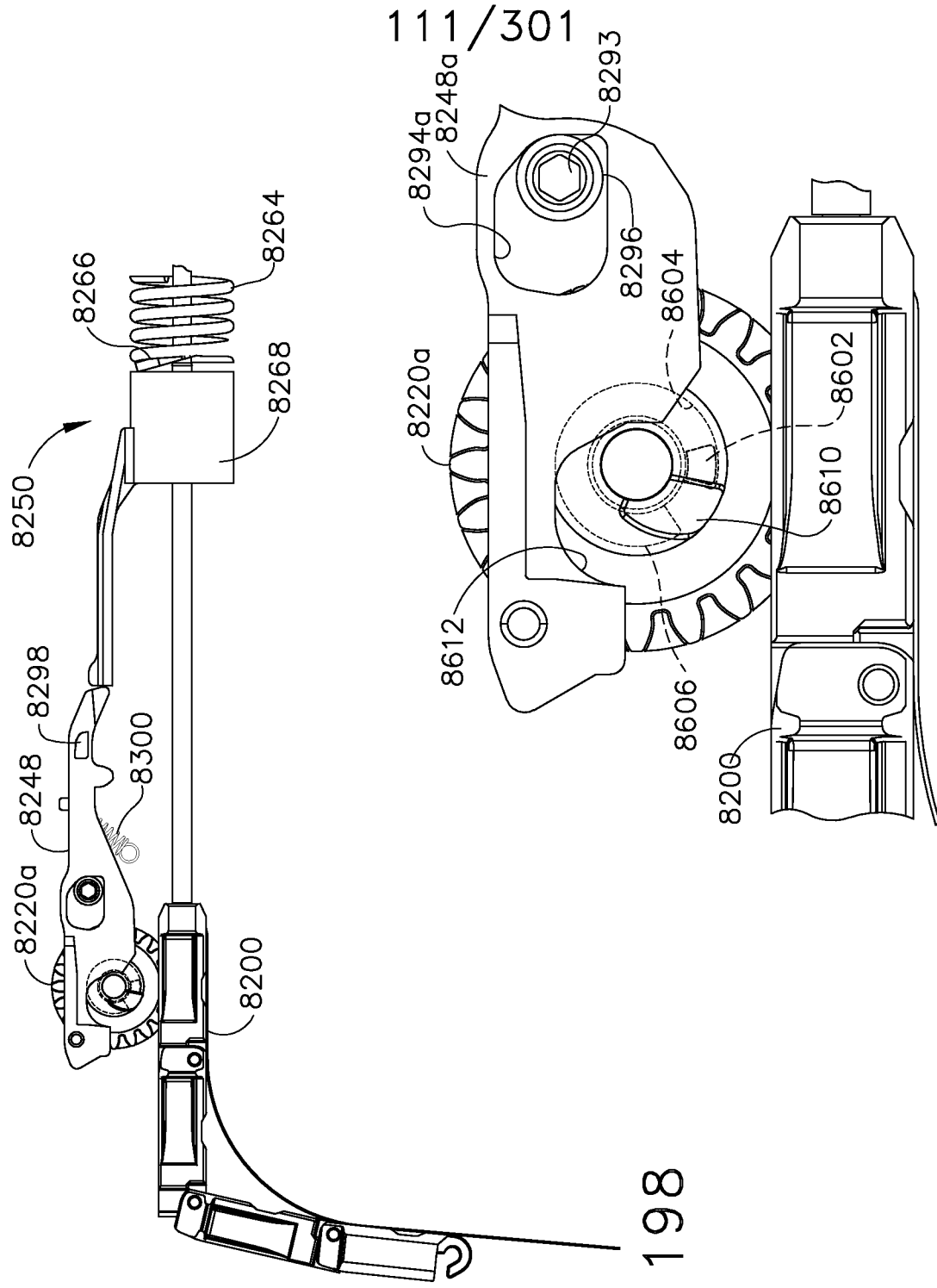


FIG. 198

FIG. 198A

112/301

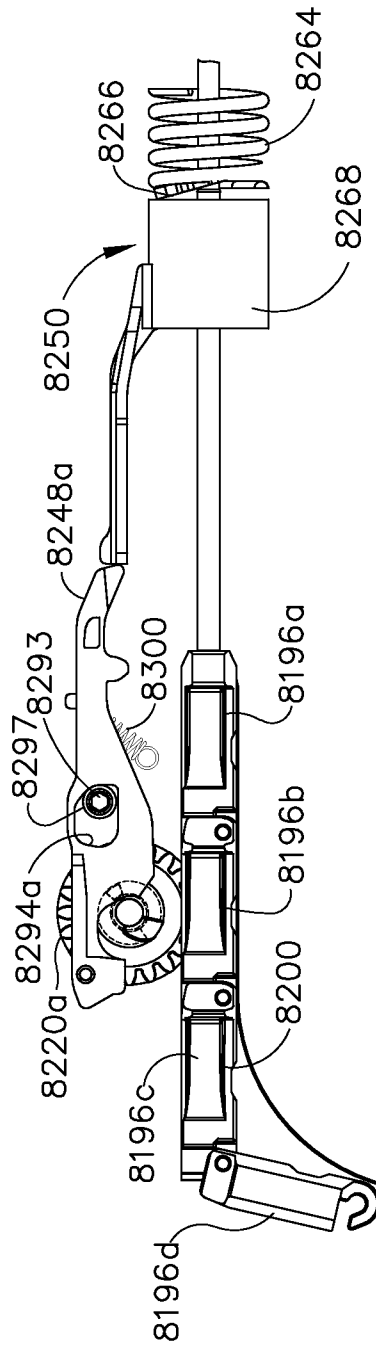


FIG. 199

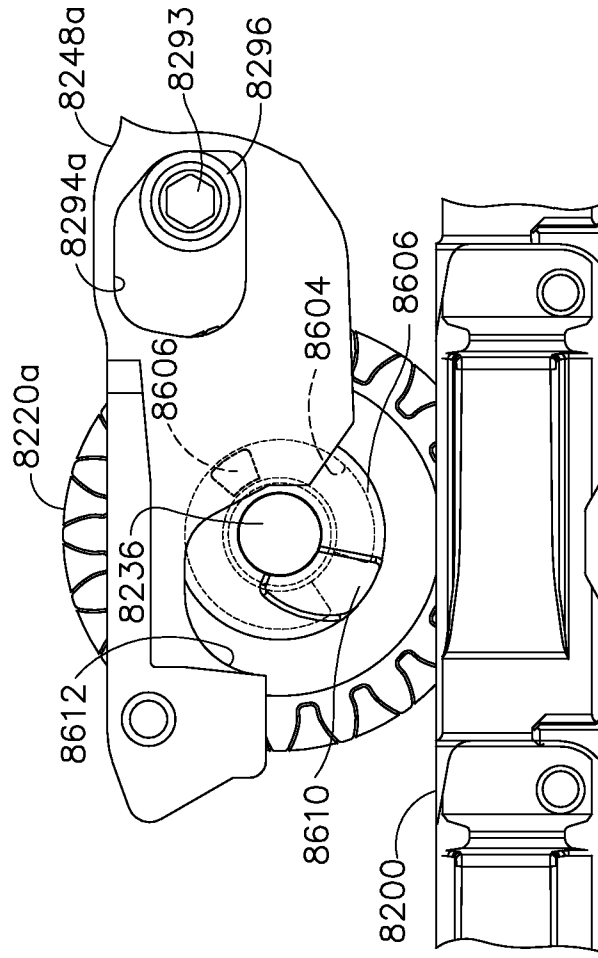


FIG. 199A

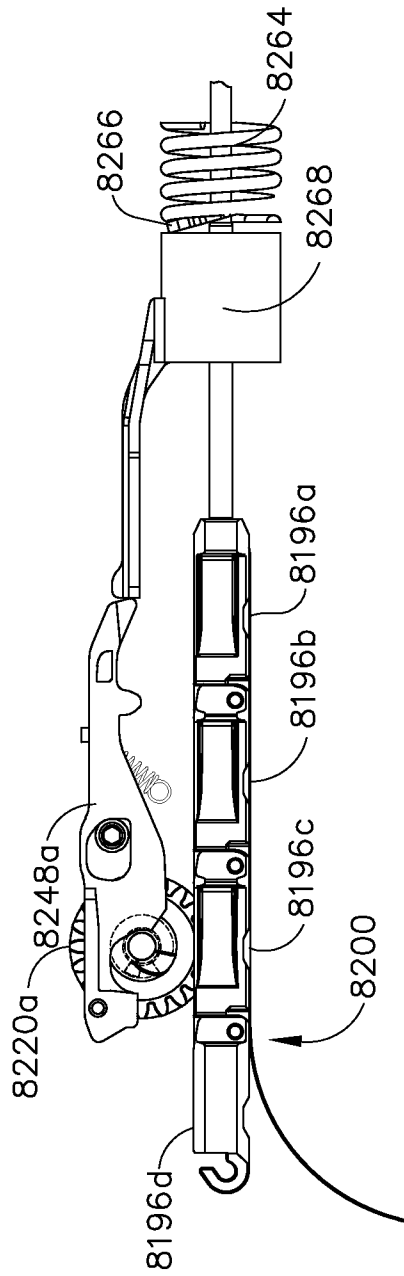


FIG. 200

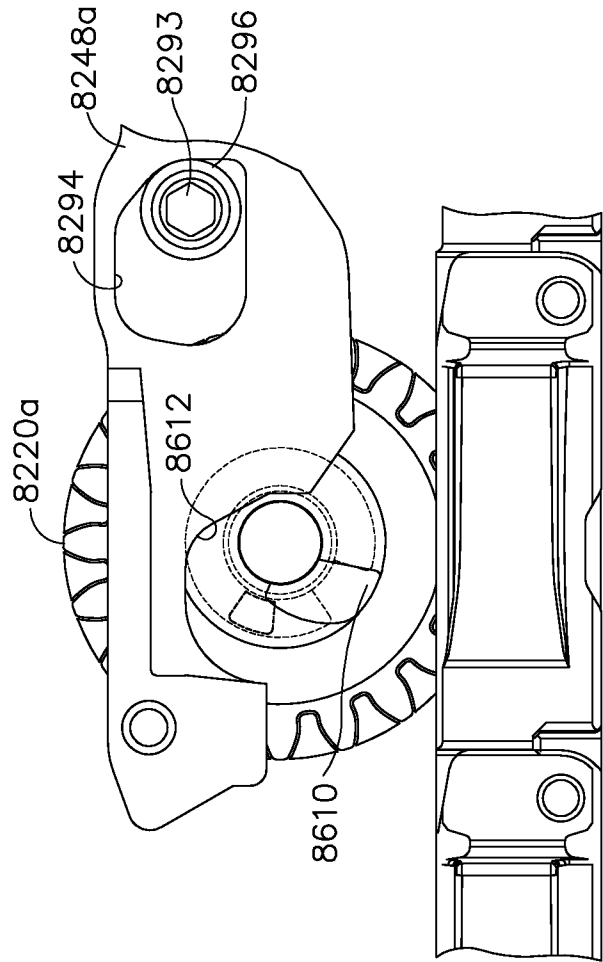


FIG. 200A

114/301

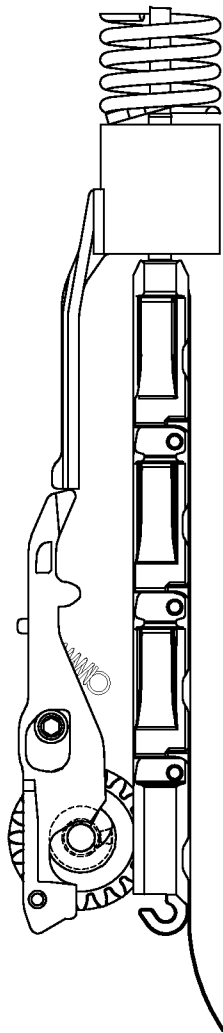


FIG. 201

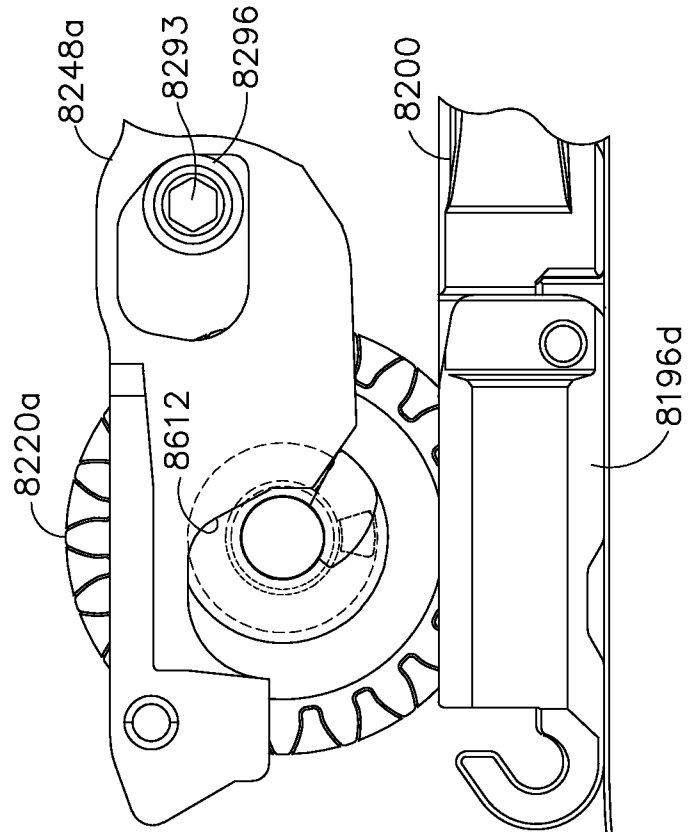


FIG. 201A

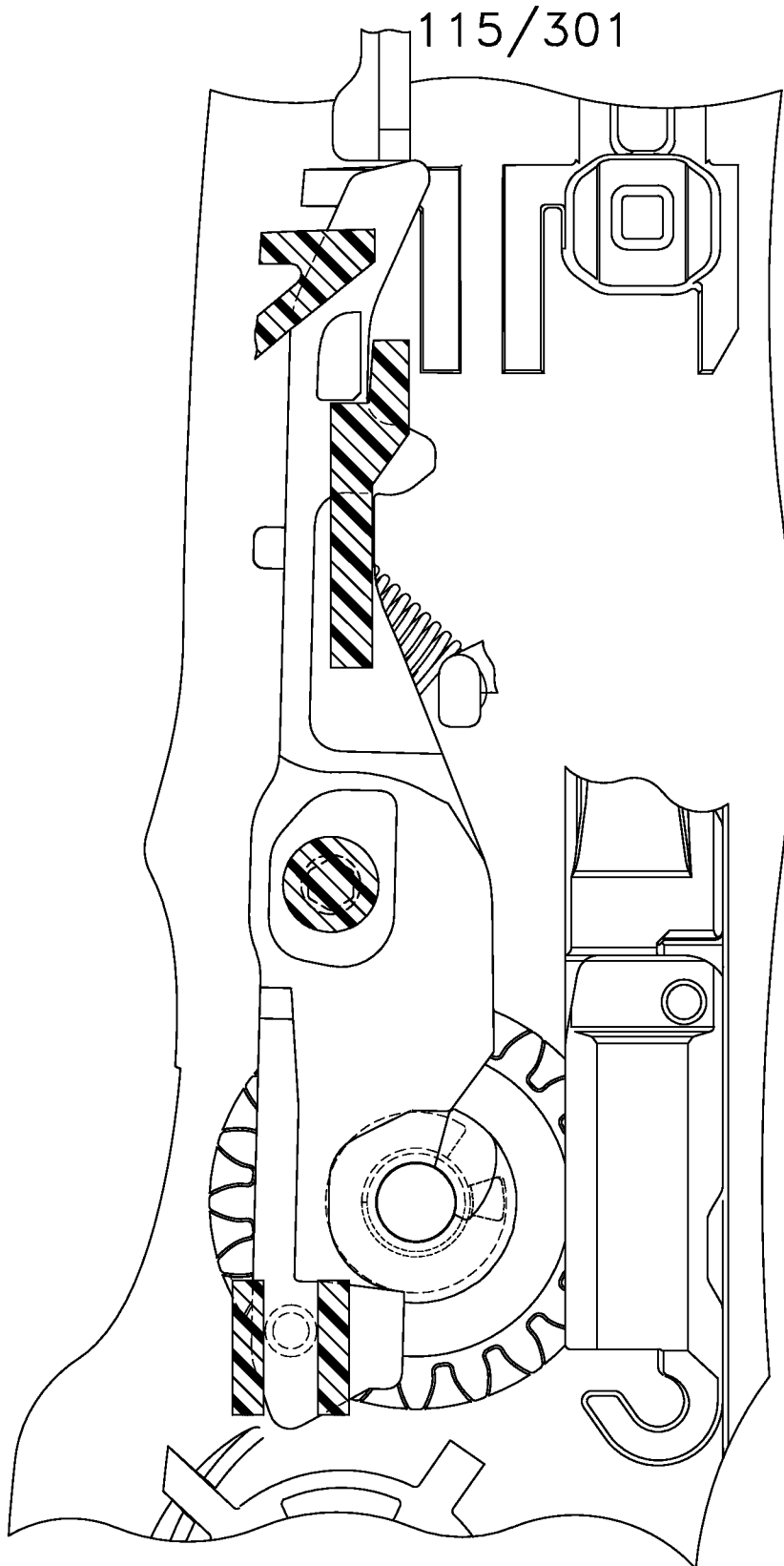
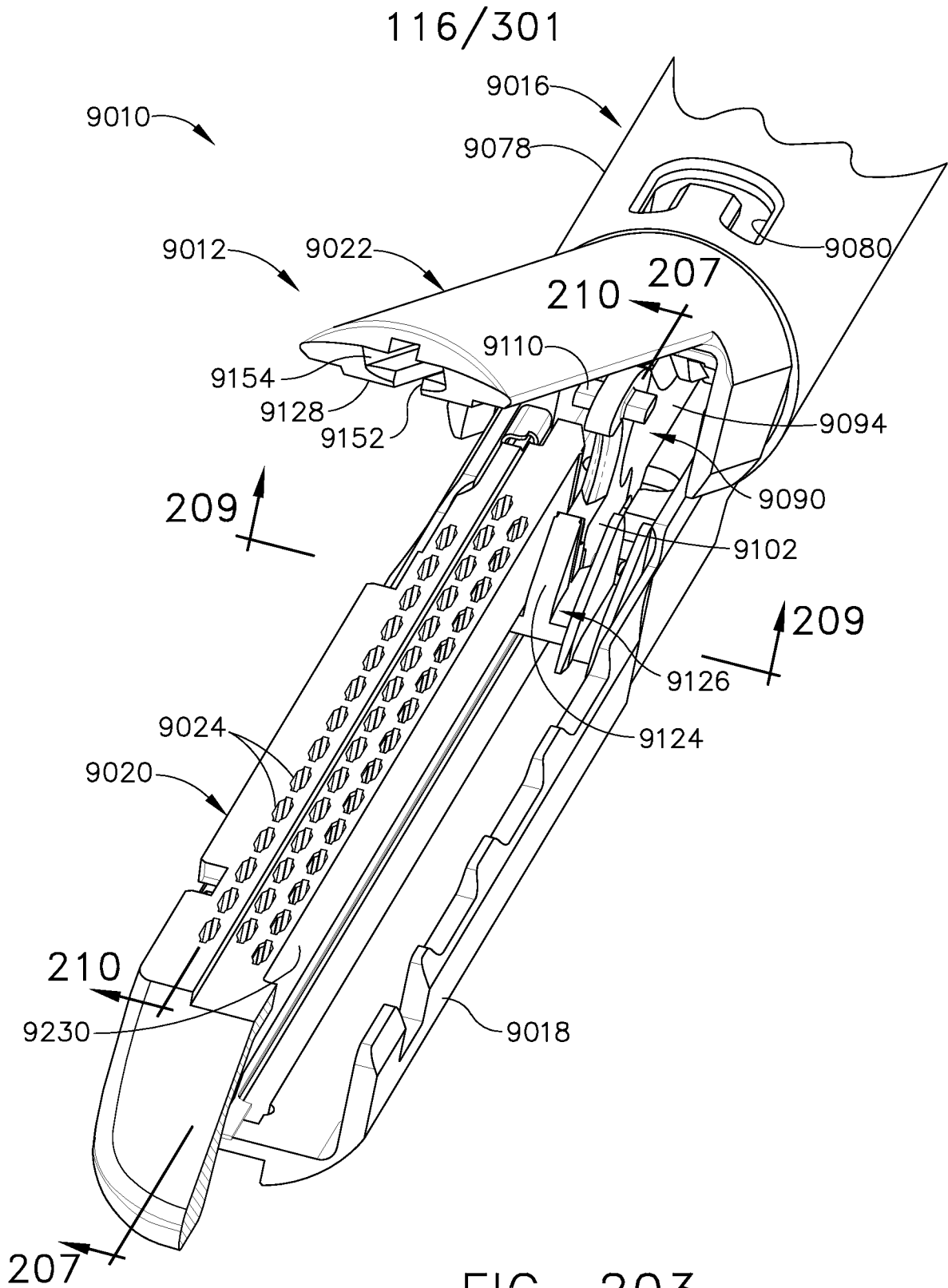
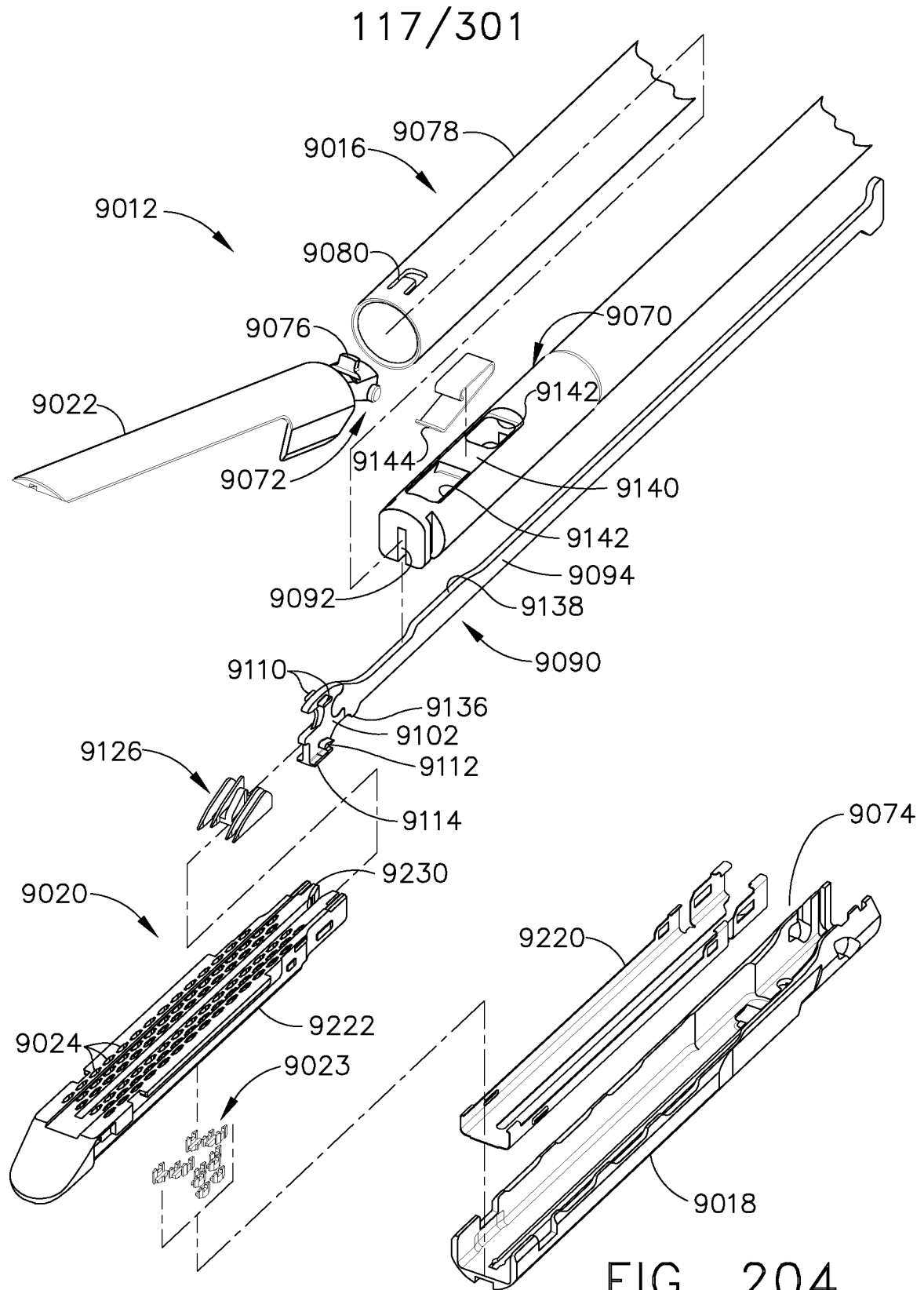


FIG. 202





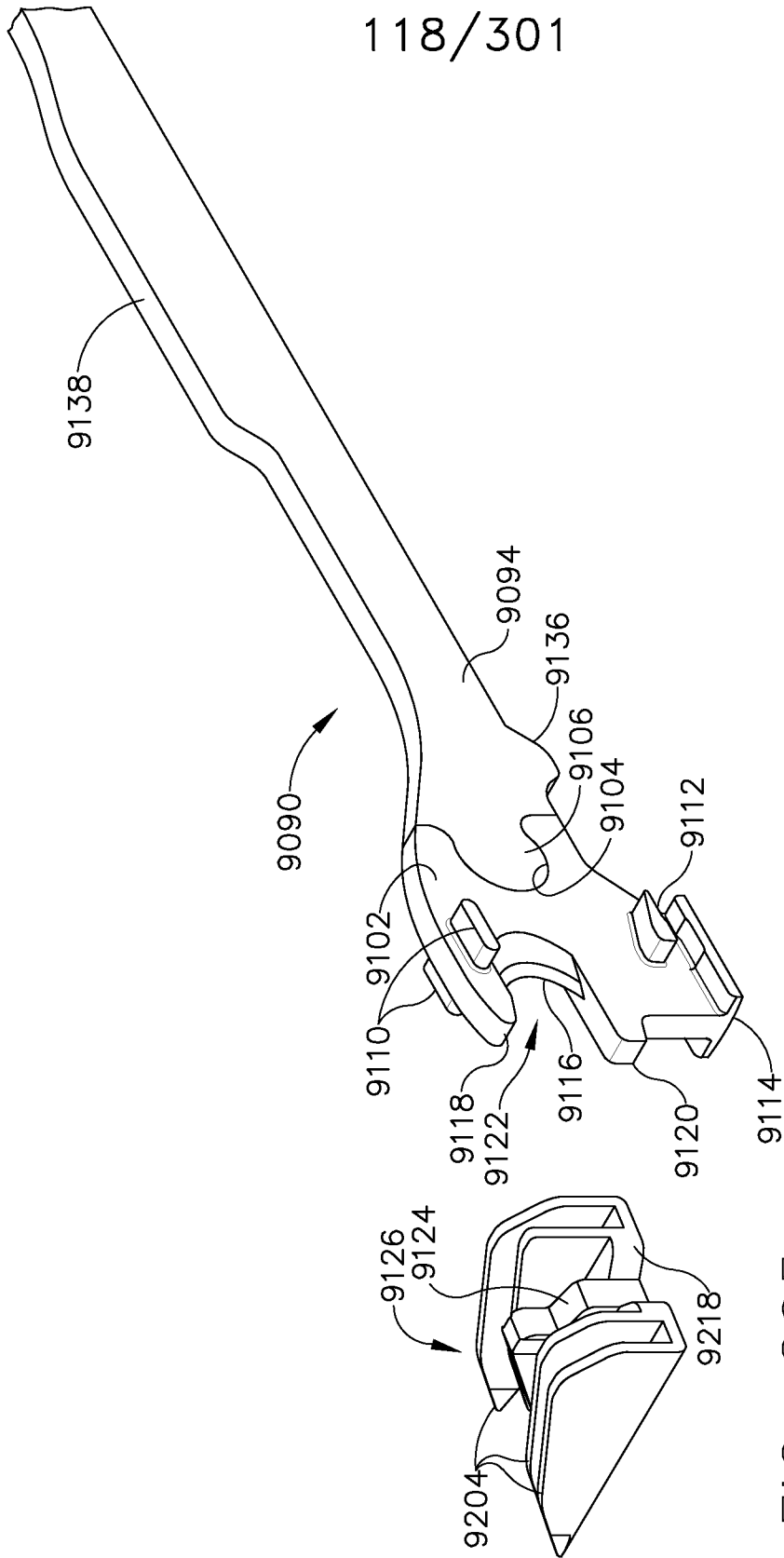


FIG. 206

FIG. 205

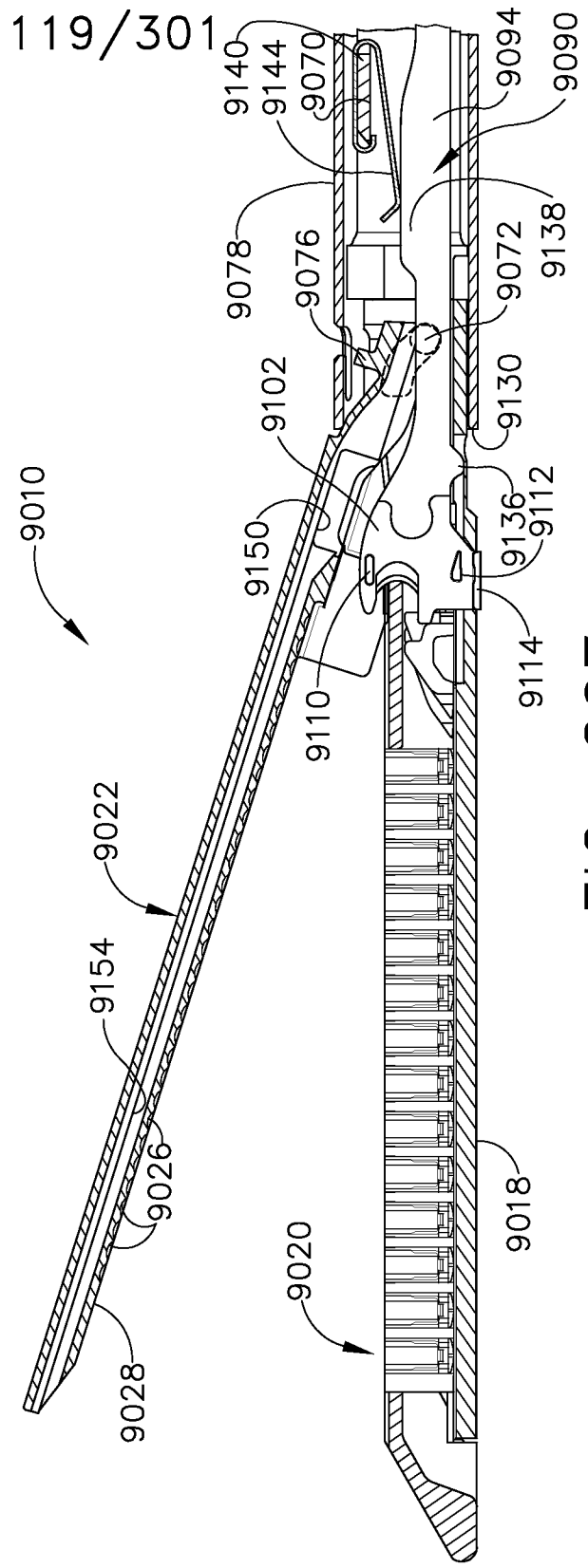


FIG. 207

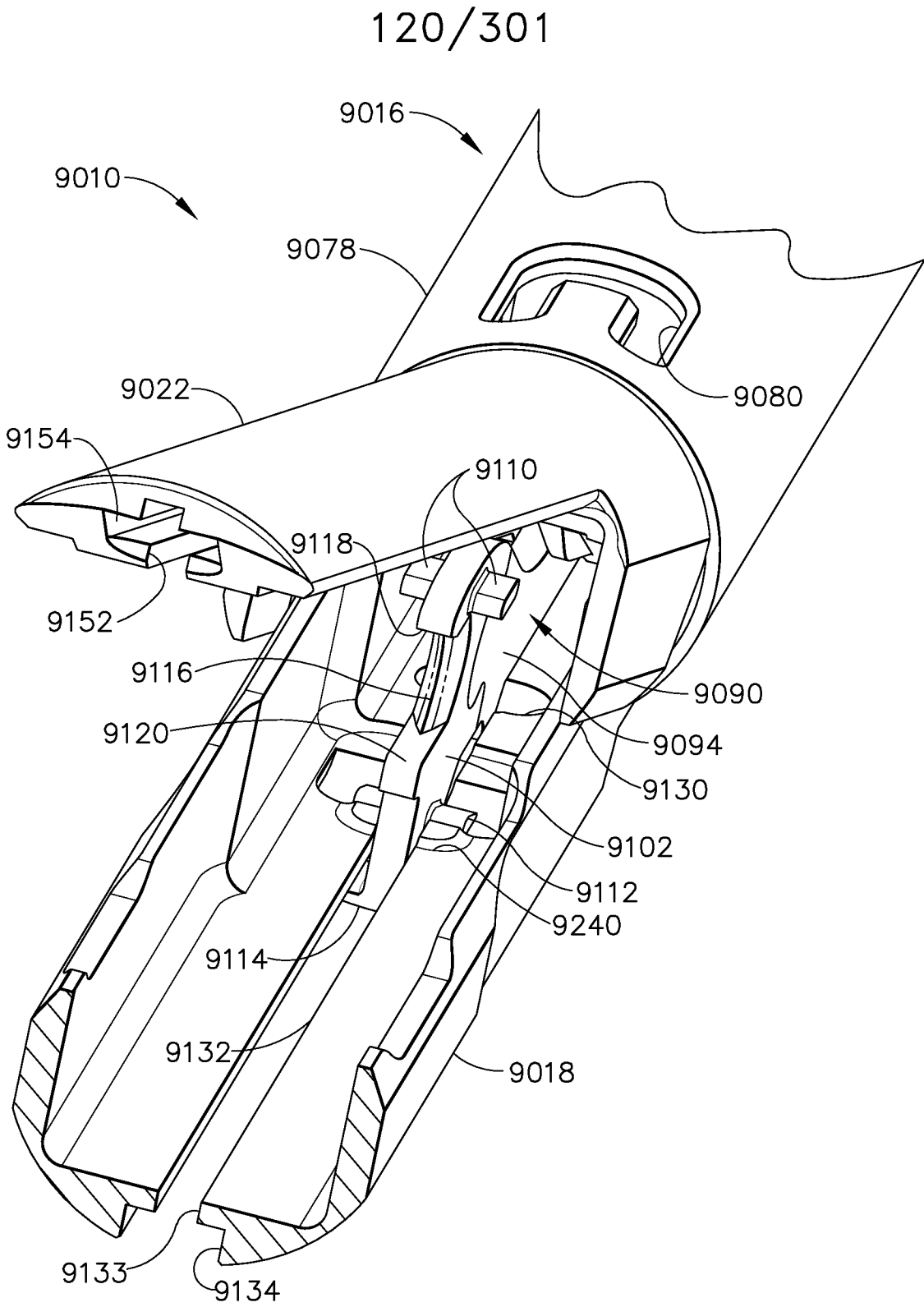


FIG. 208

121/301

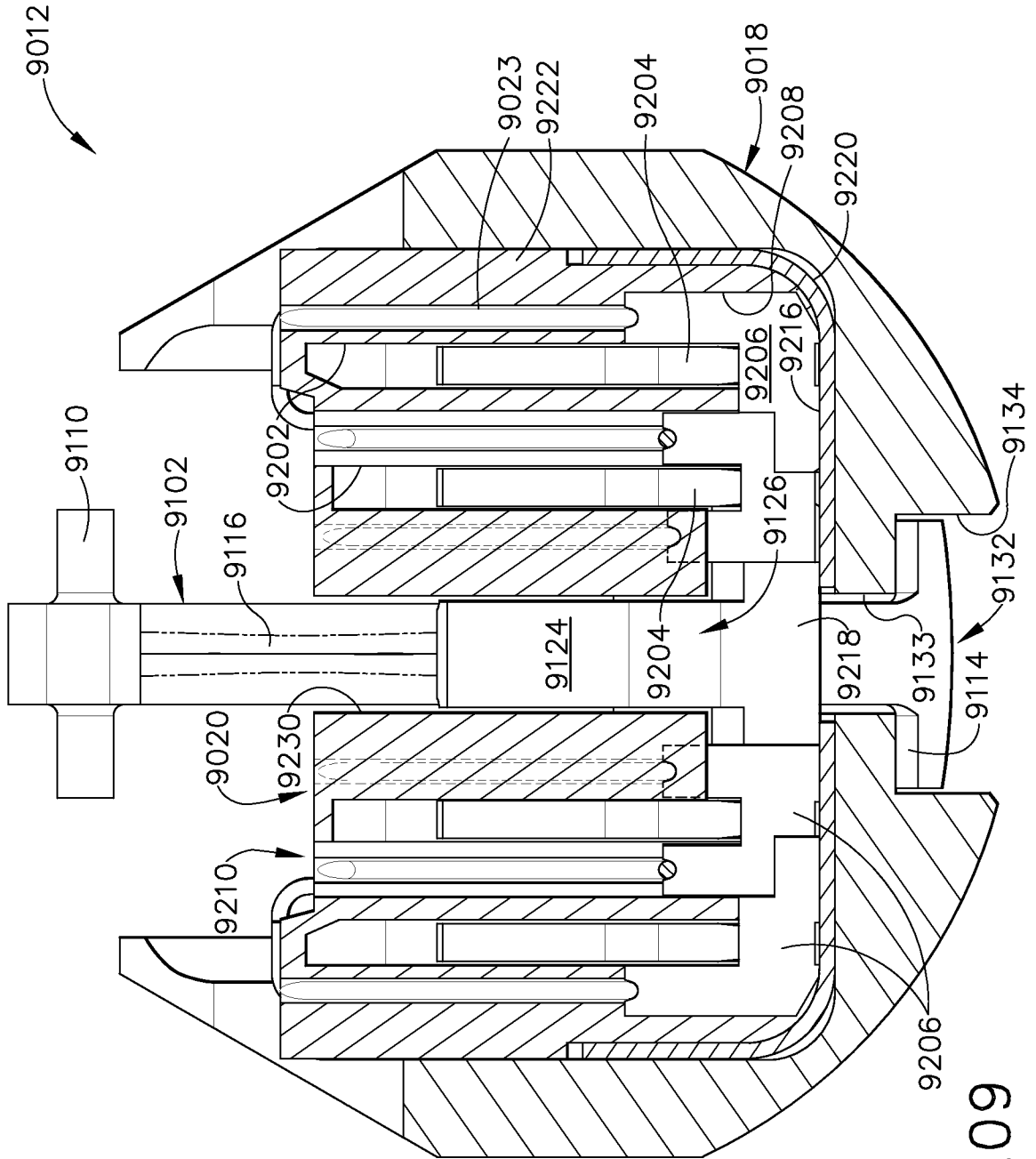


FIG. 209

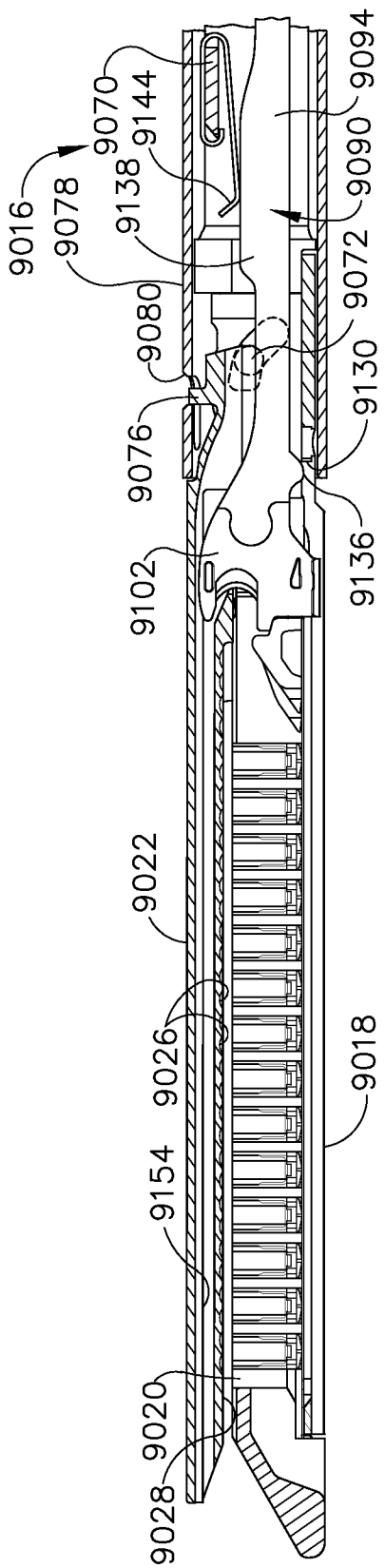


FIG. 210

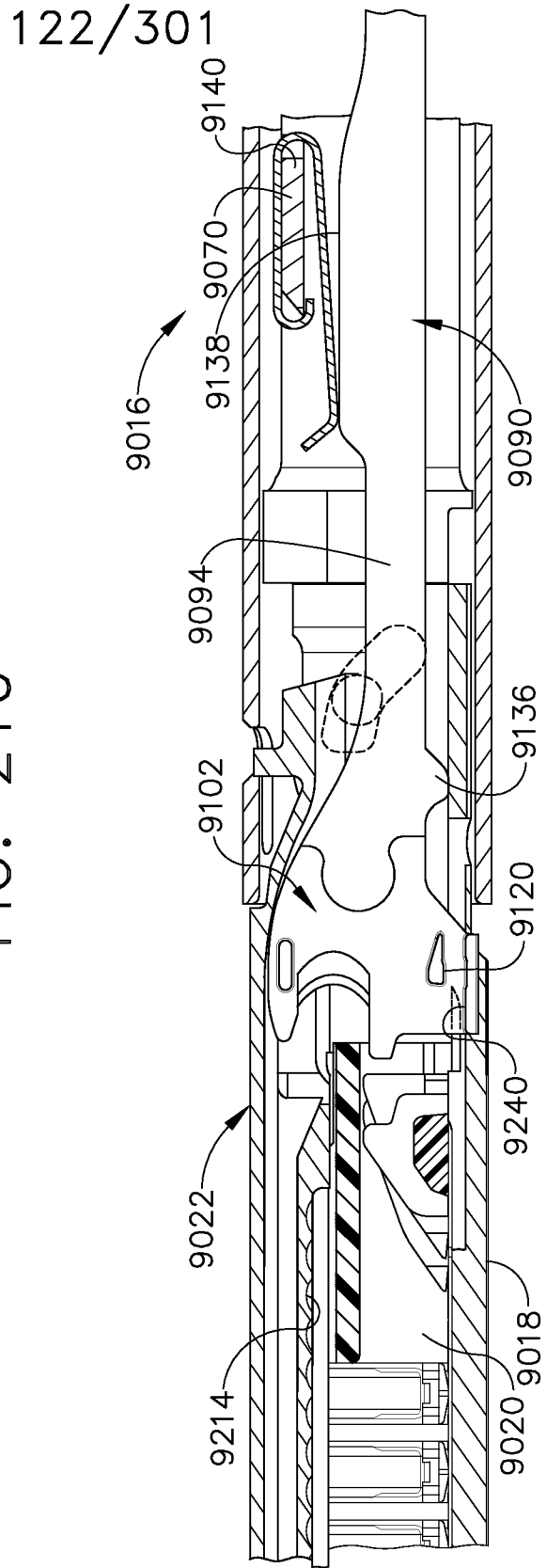


FIG. 211

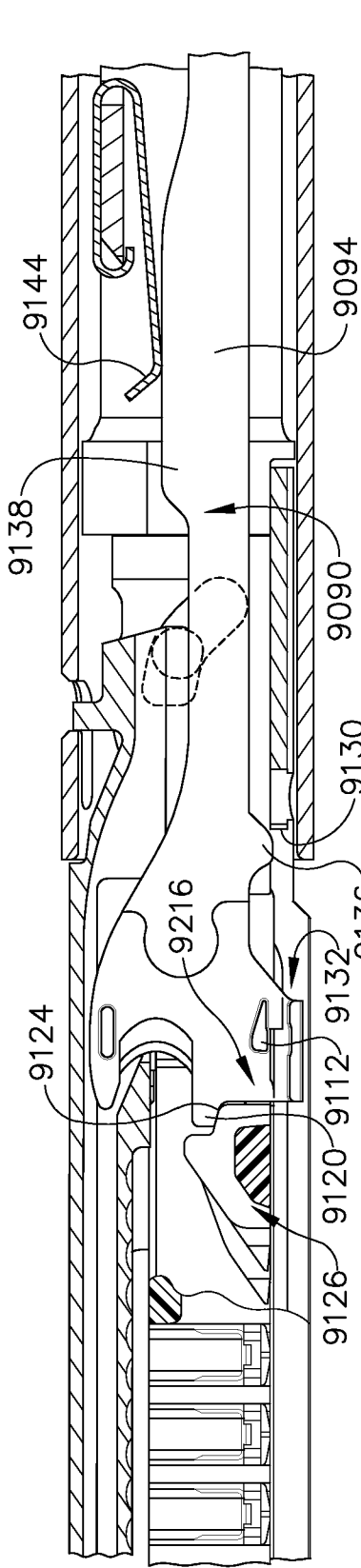


FIG. 212

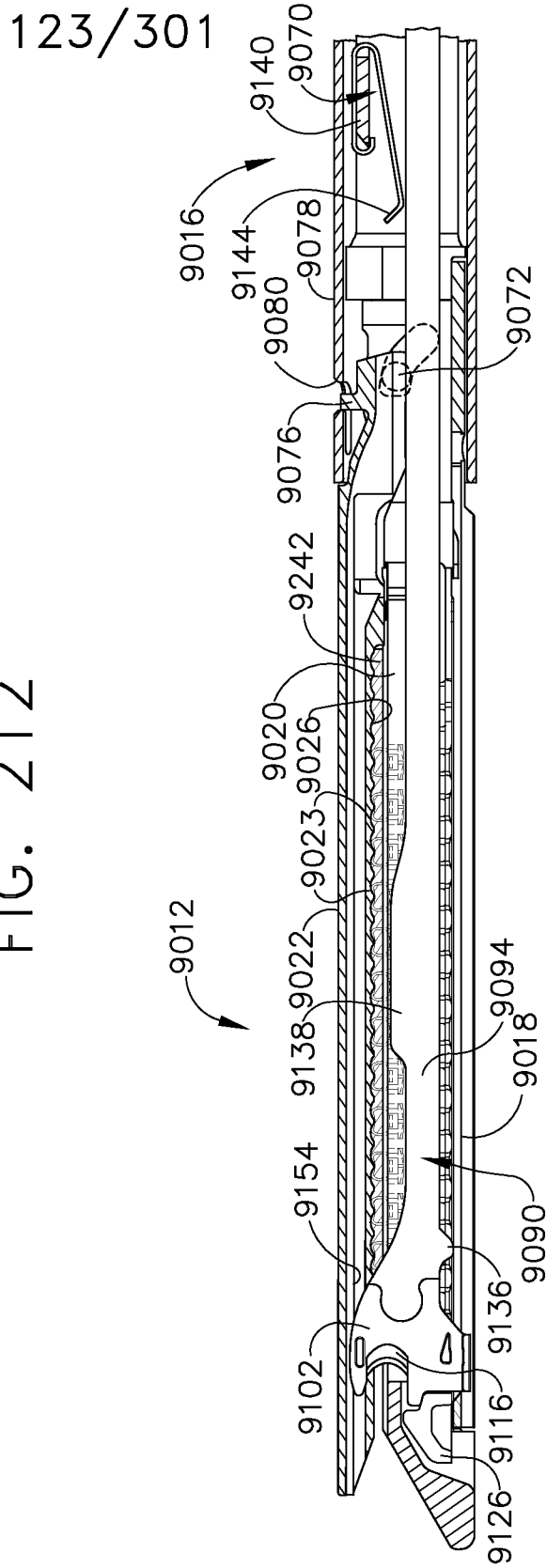


FIG. 213

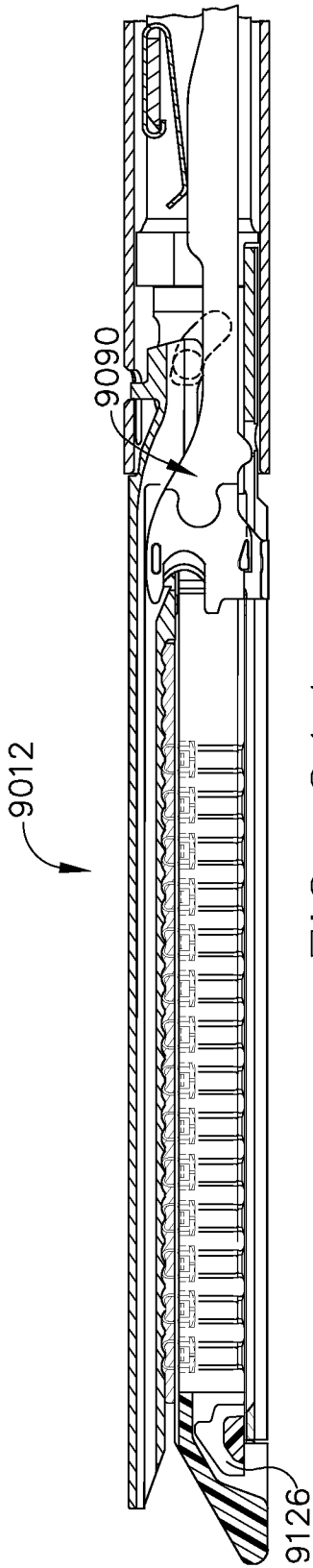


FIG. 214

124/301

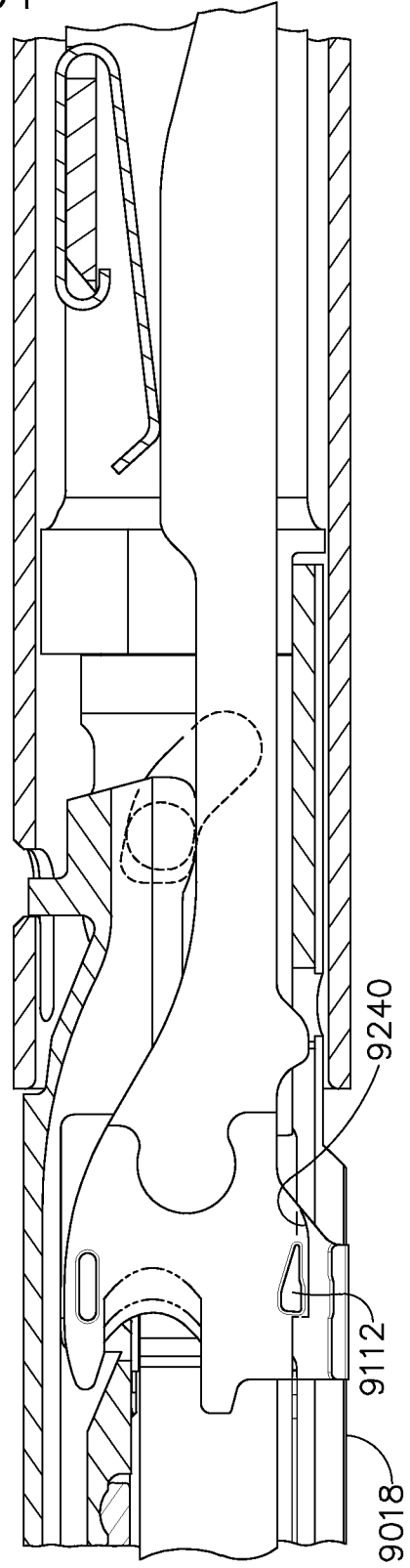


FIG. 215

125/301

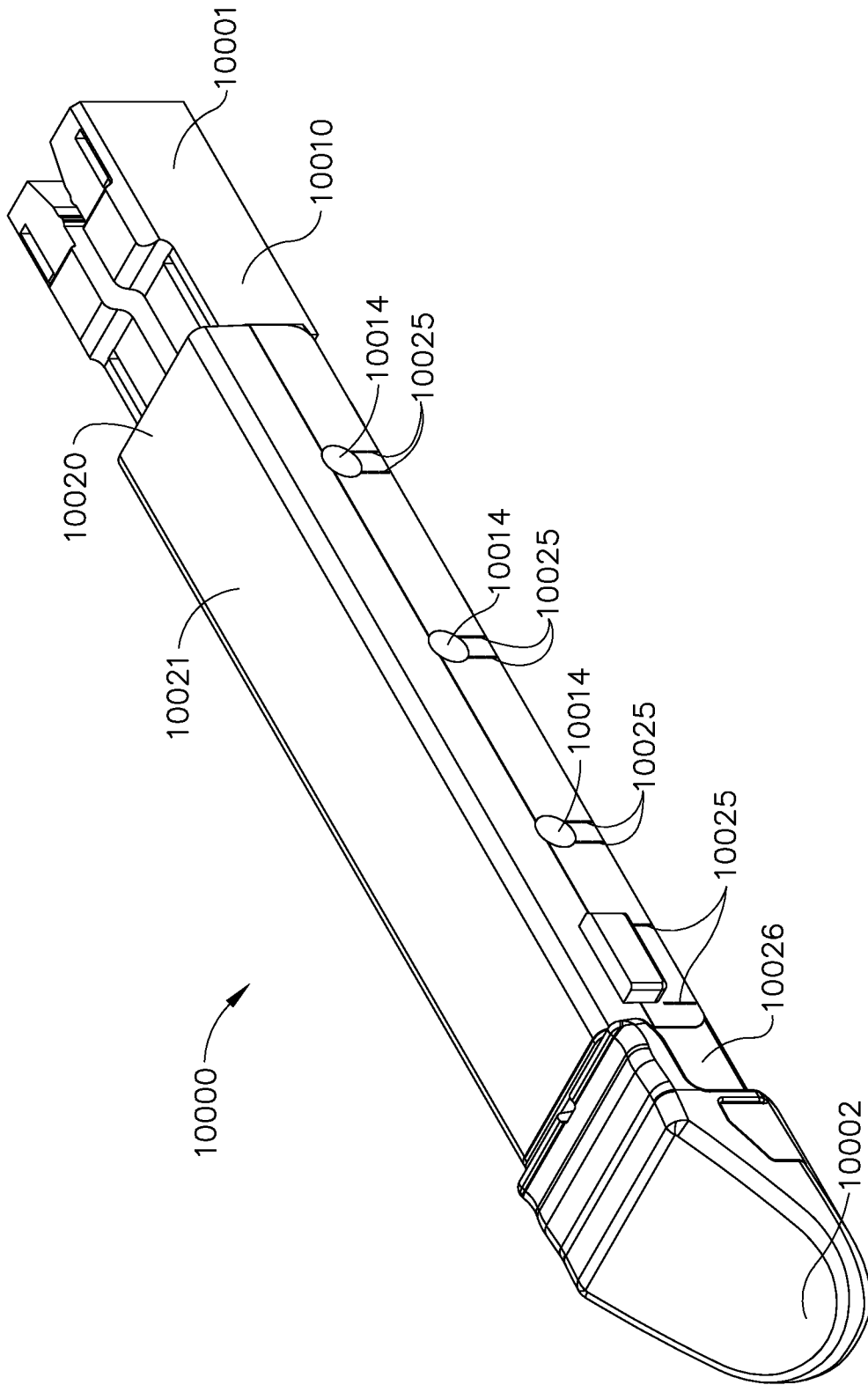


FIG. 216

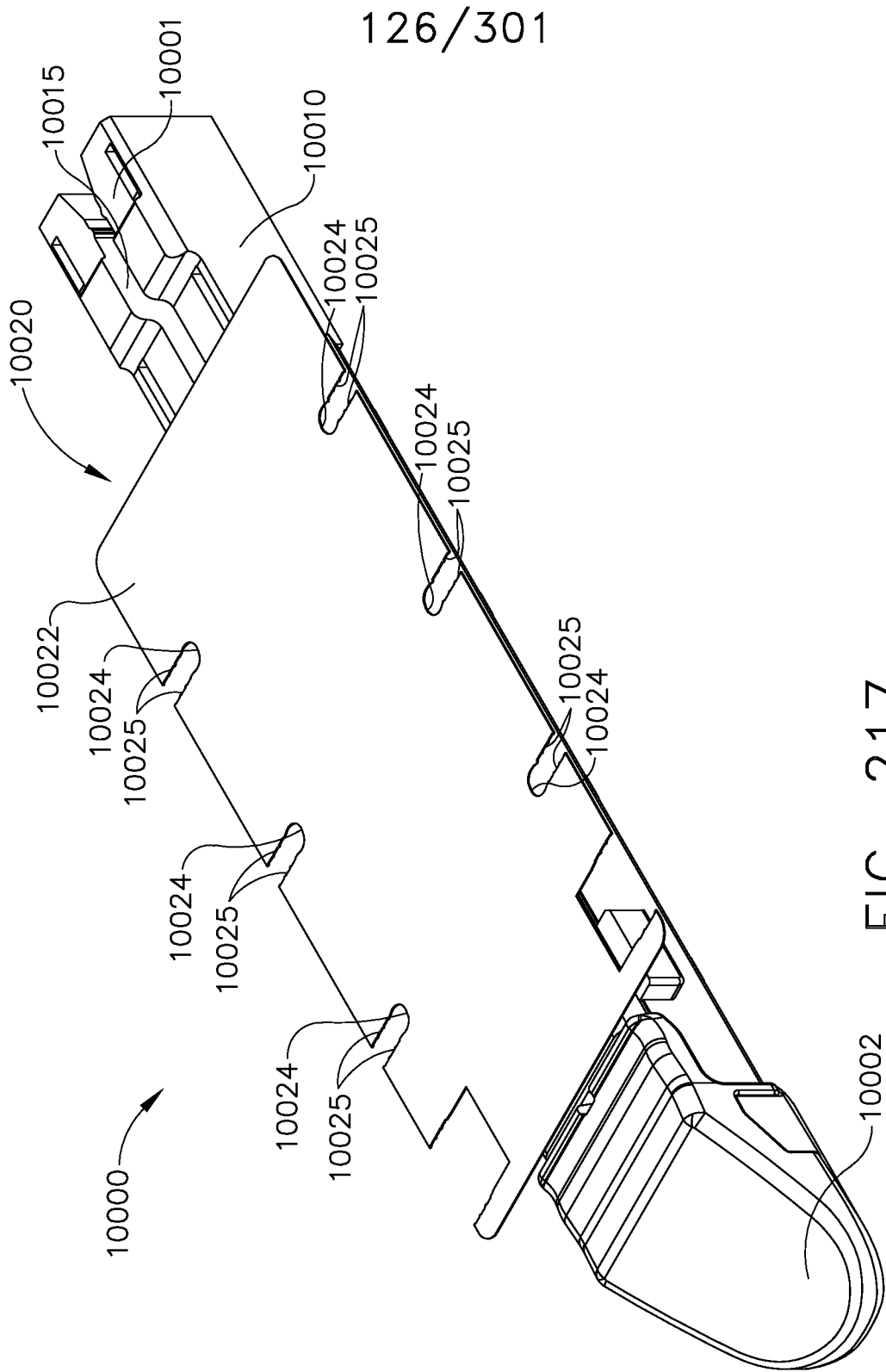


FIG. 217

127/301

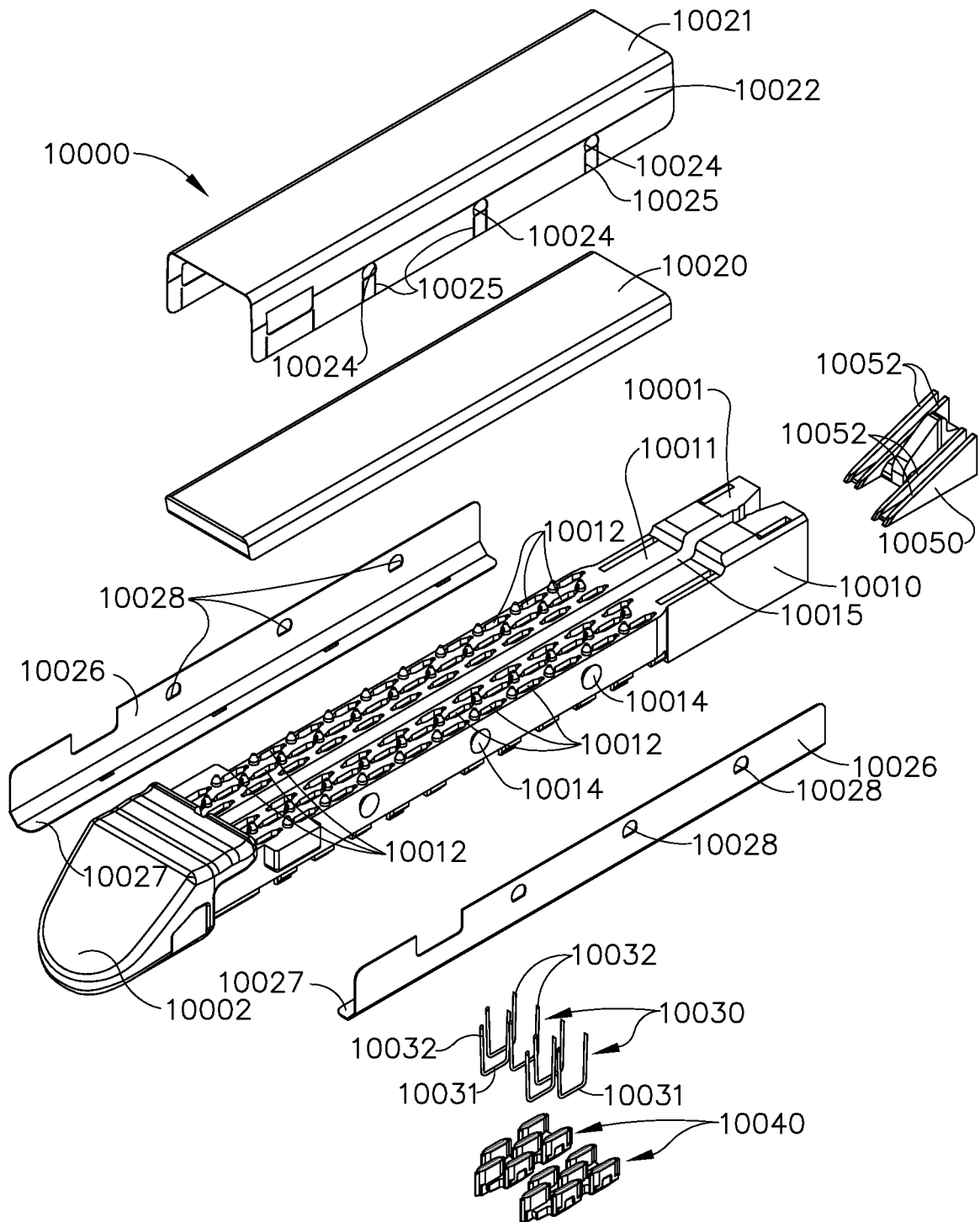


FIG. 218

128/301

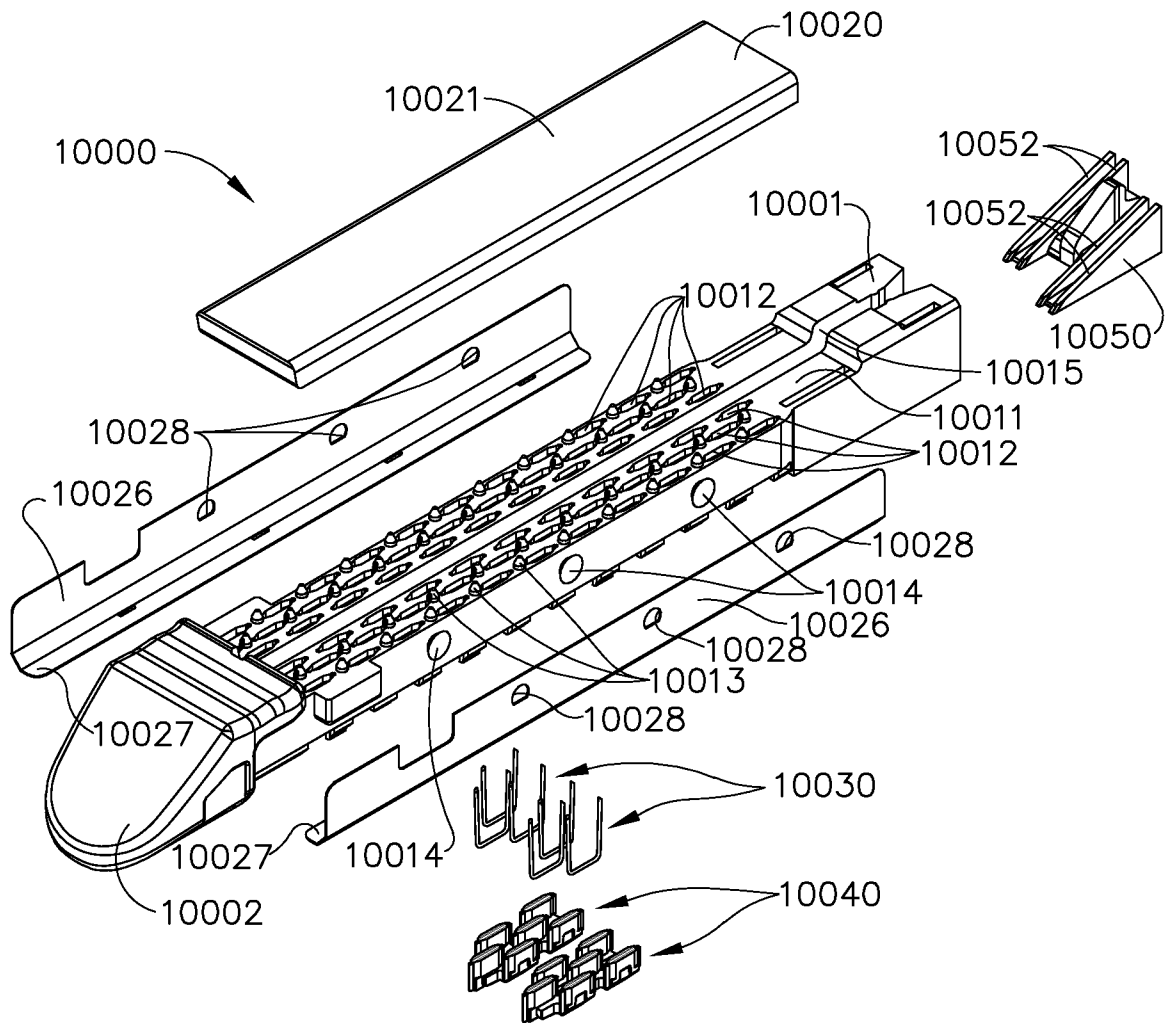


FIG. 219

129/301

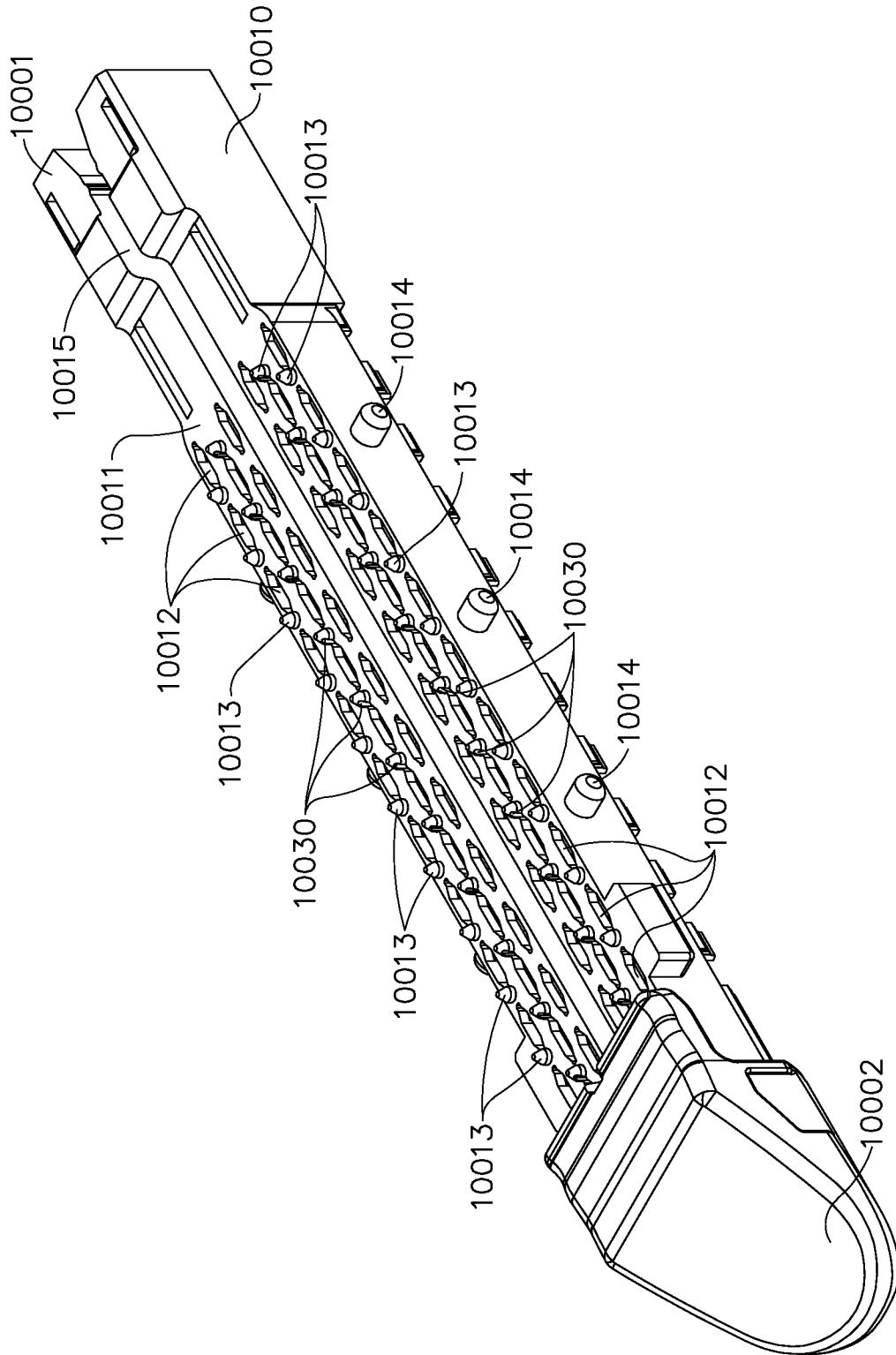


FIG. 220

130/301

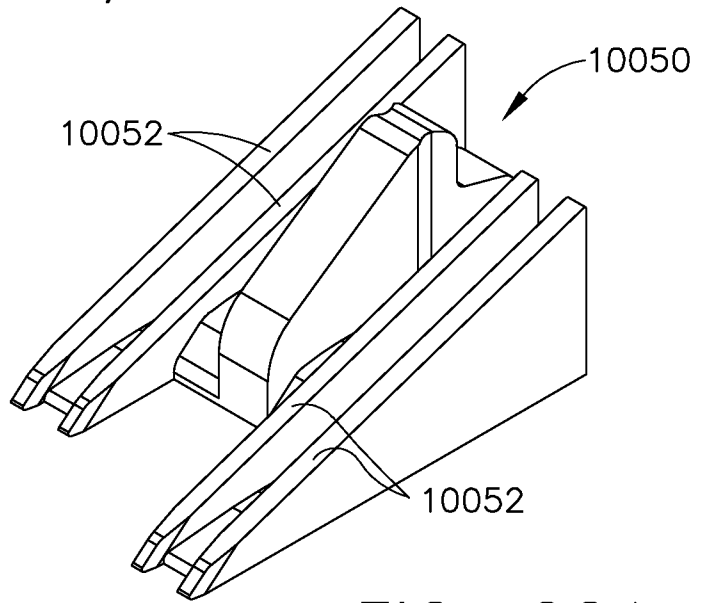


FIG. 221

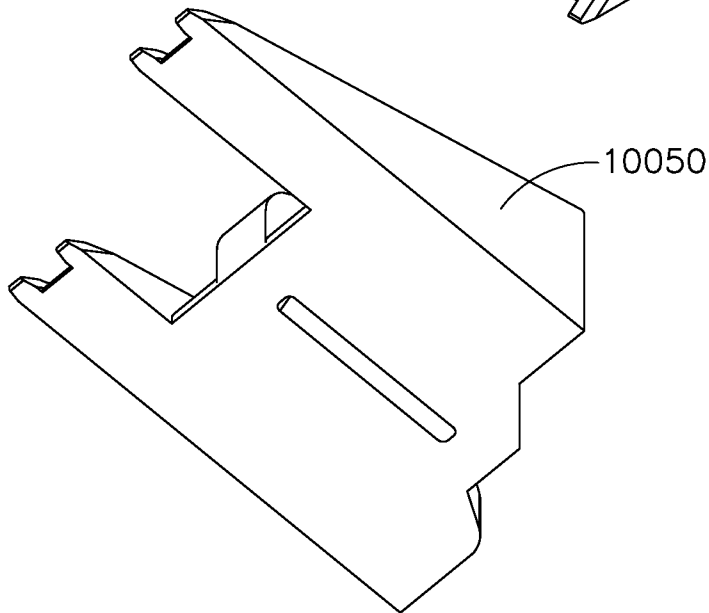


FIG. 222

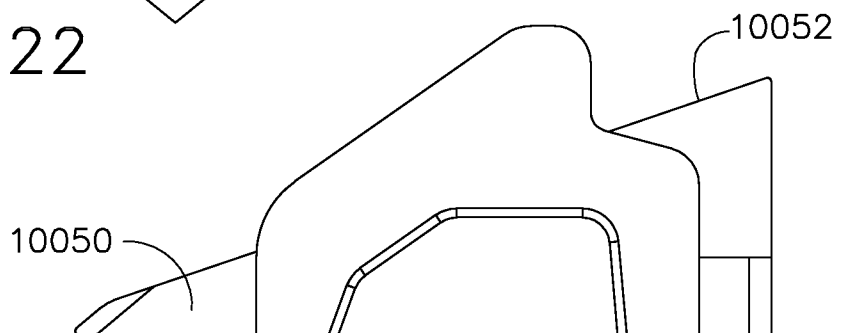


FIG. 223

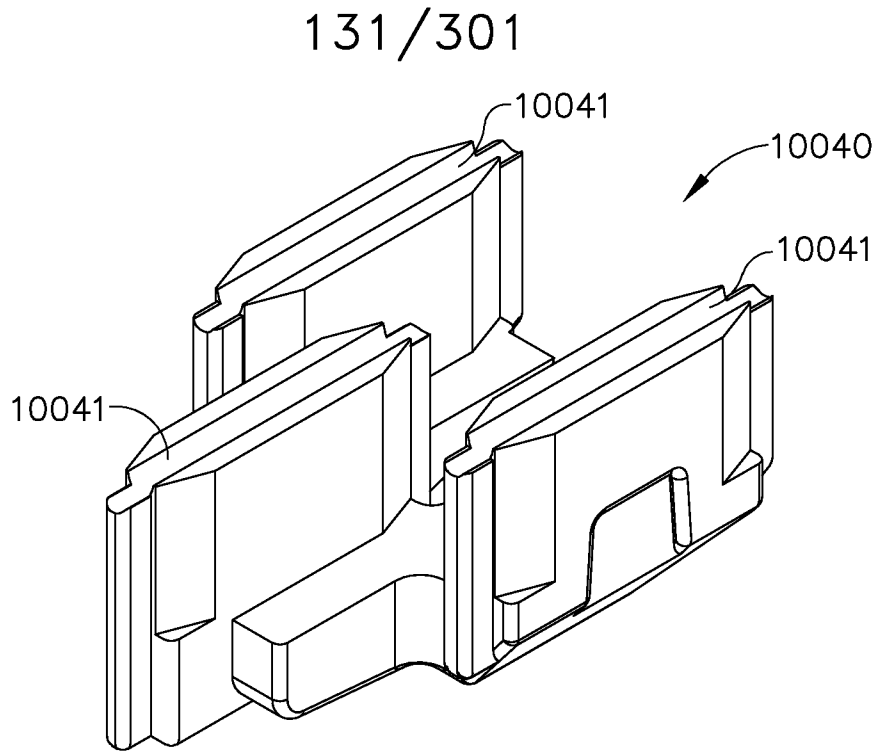


FIG. 224

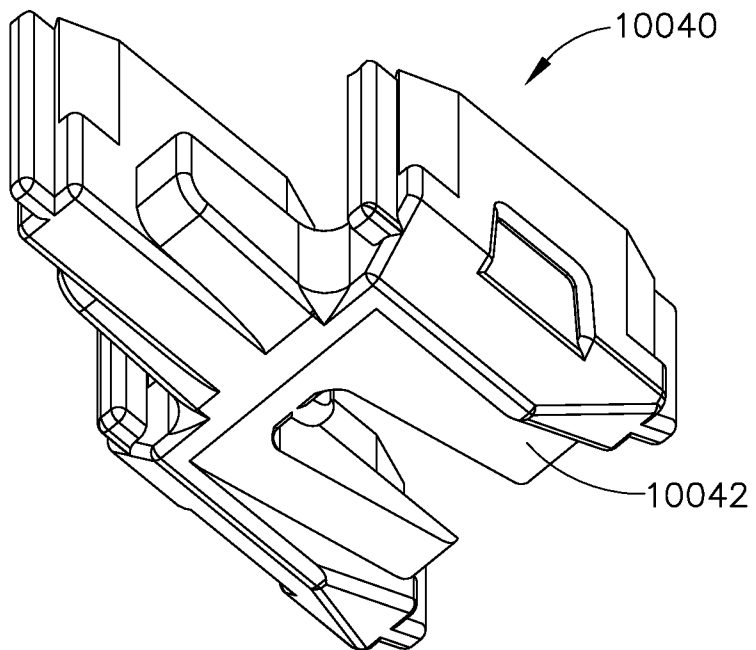


FIG. 225

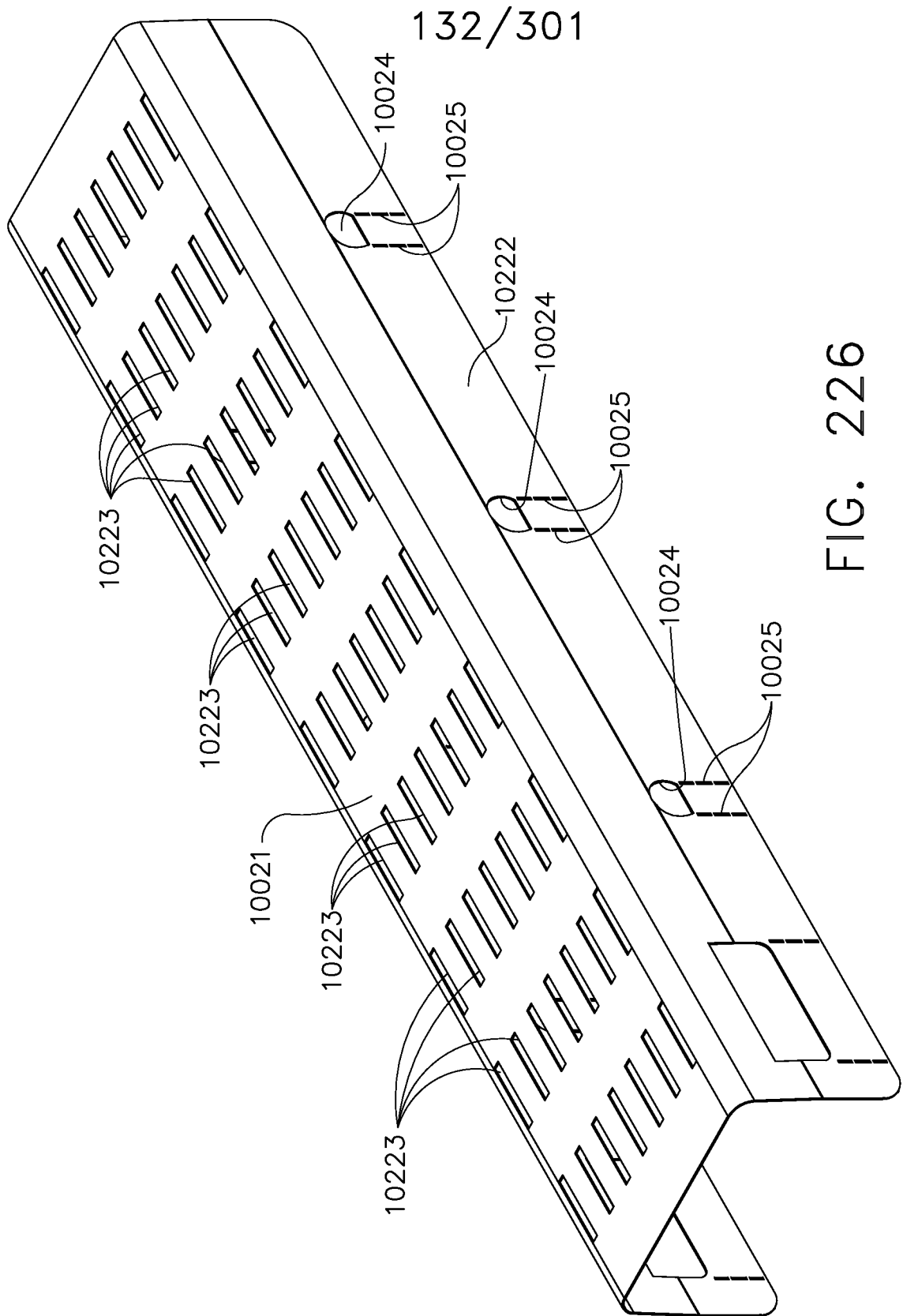


FIG. 226

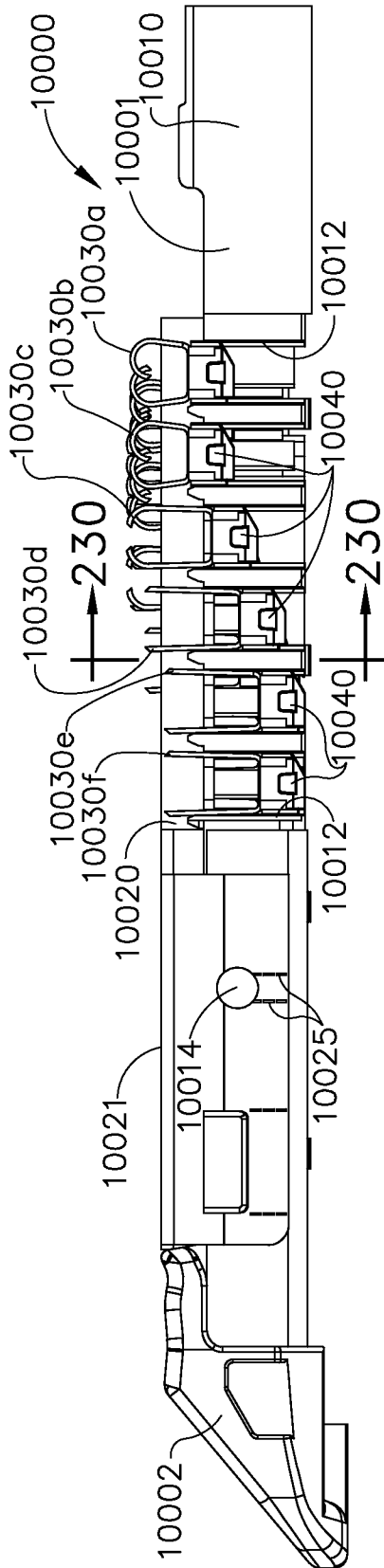


FIG. 228

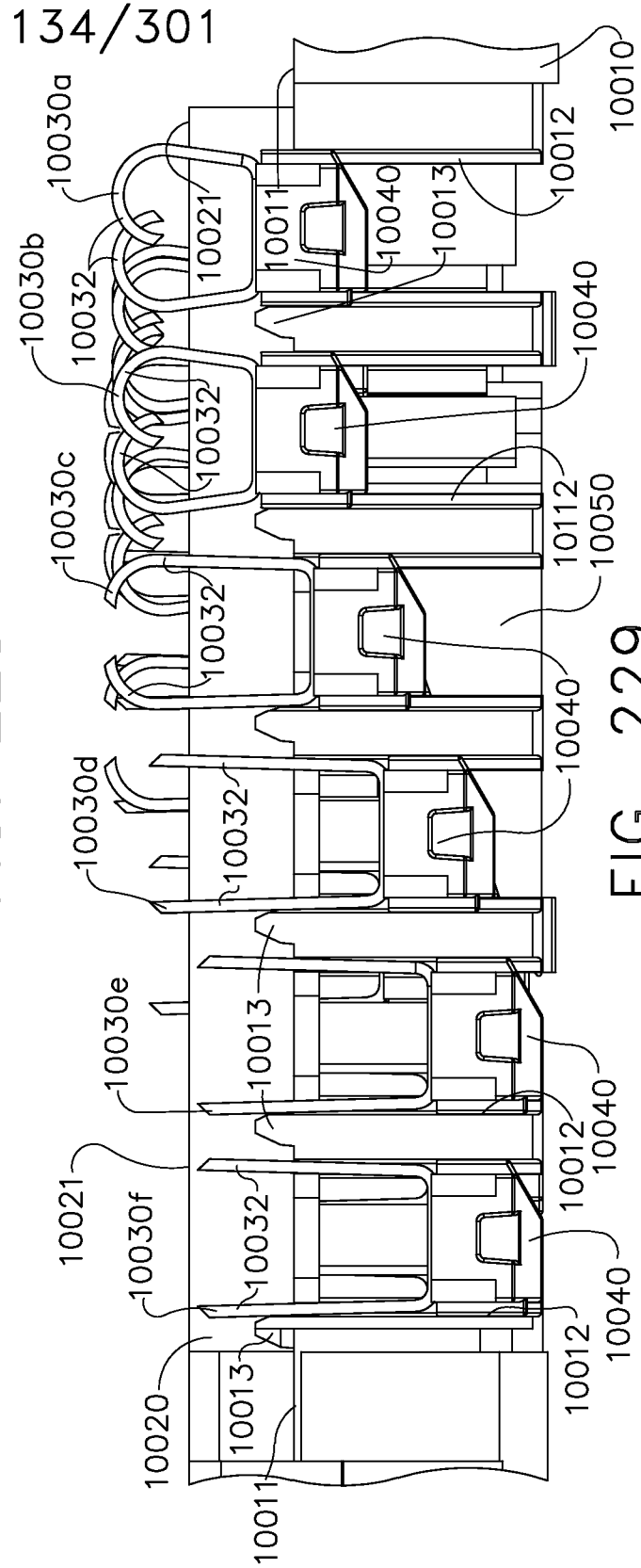
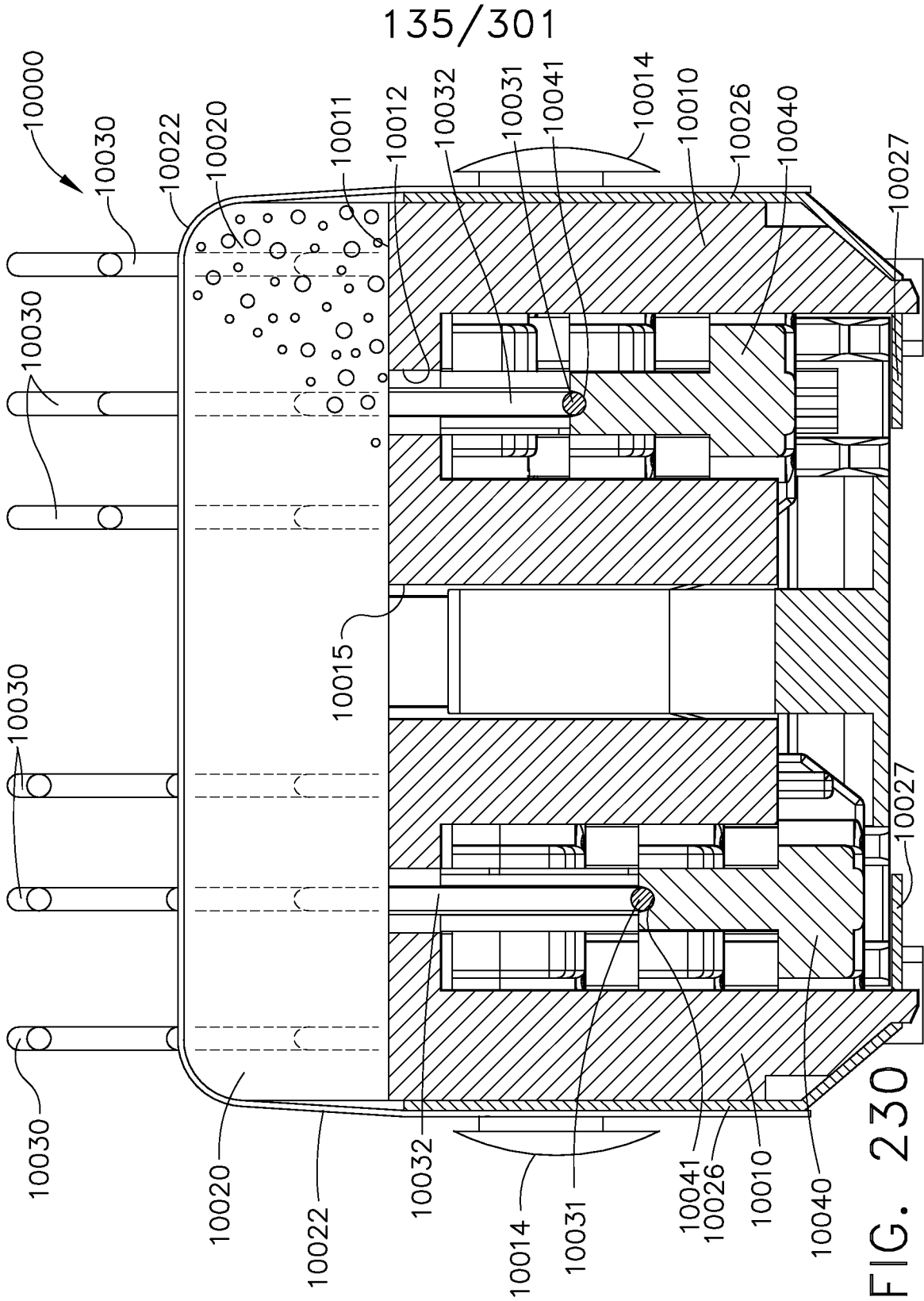


FIG. 229



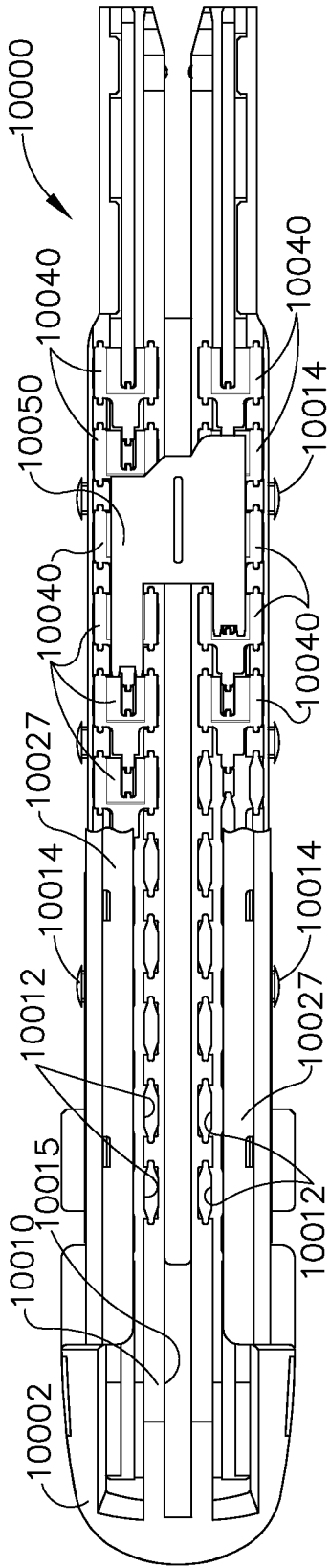


FIG. 231

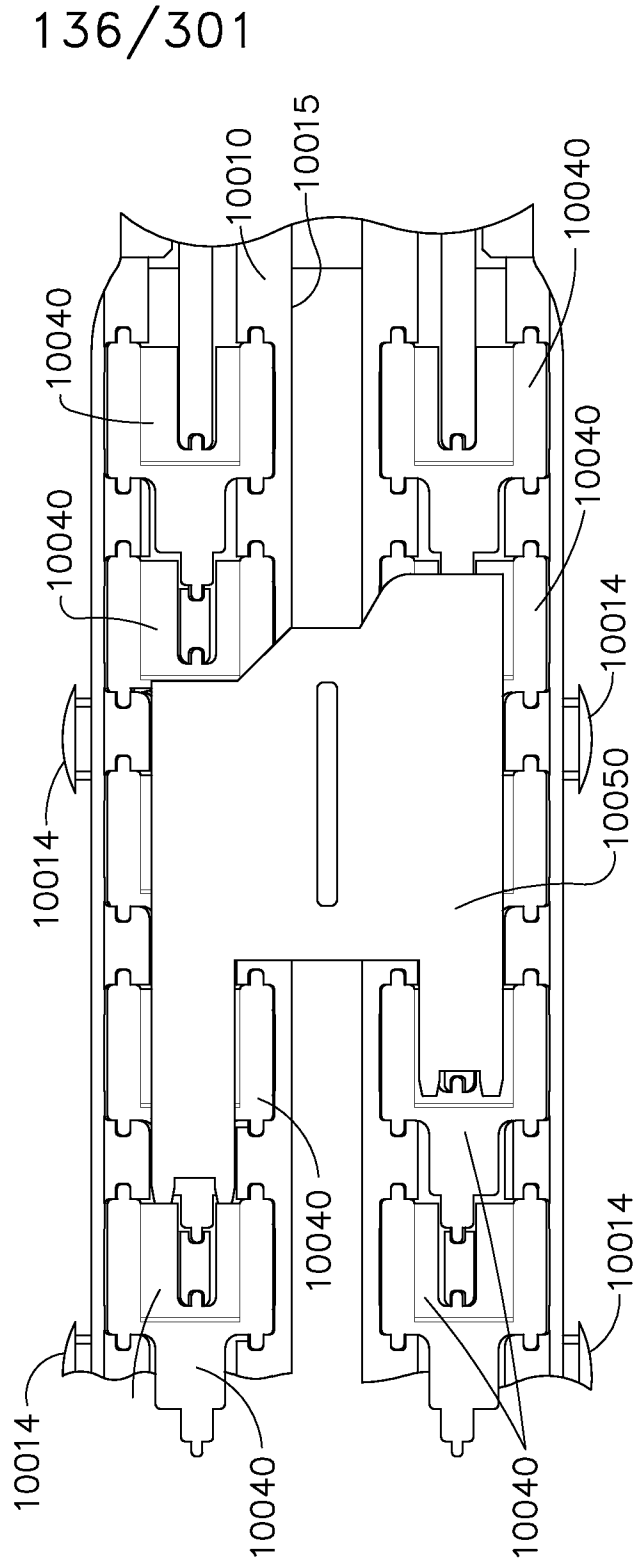


FIG. 232

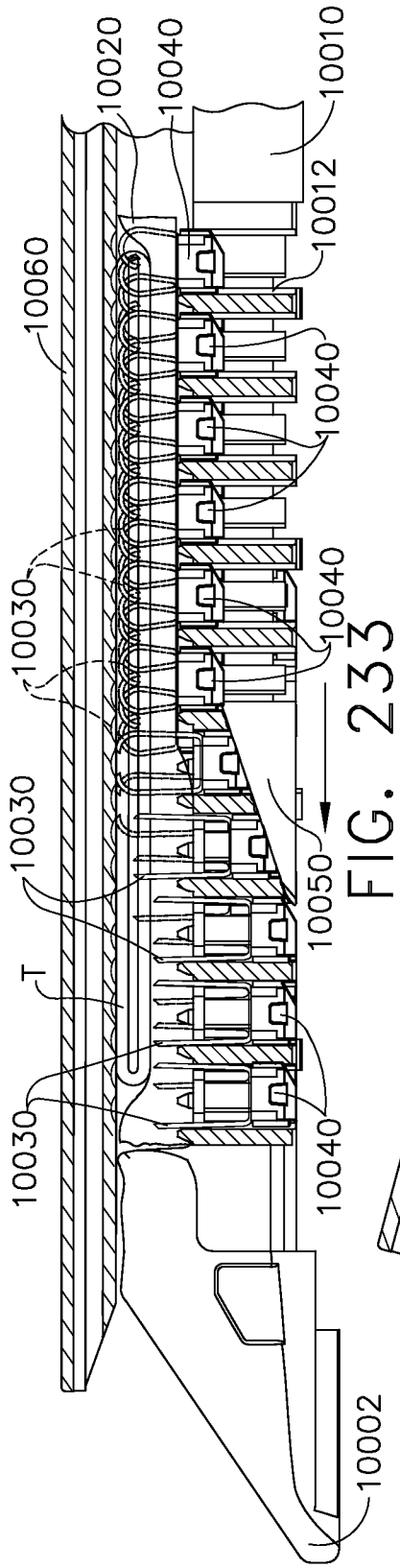


FIG. 233

137/301

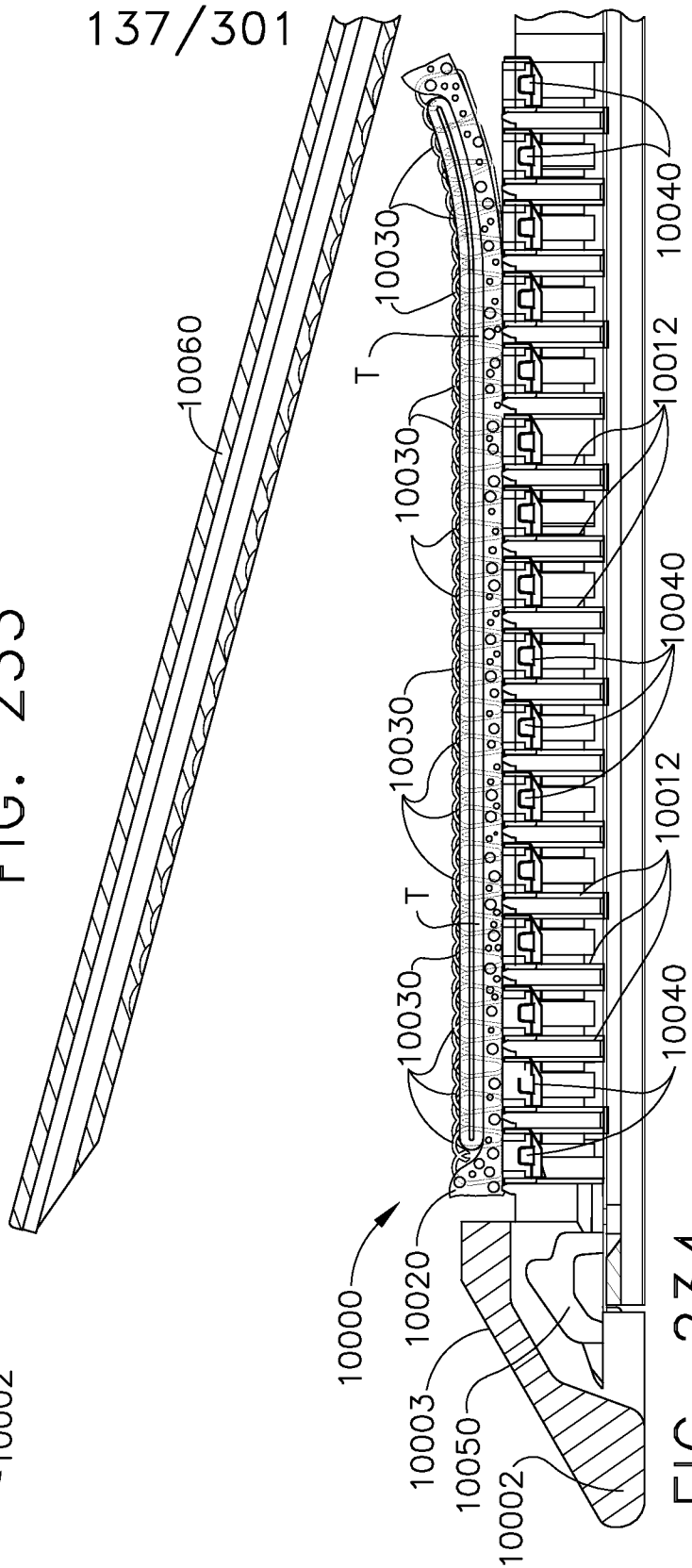


FIG. 234

138/301

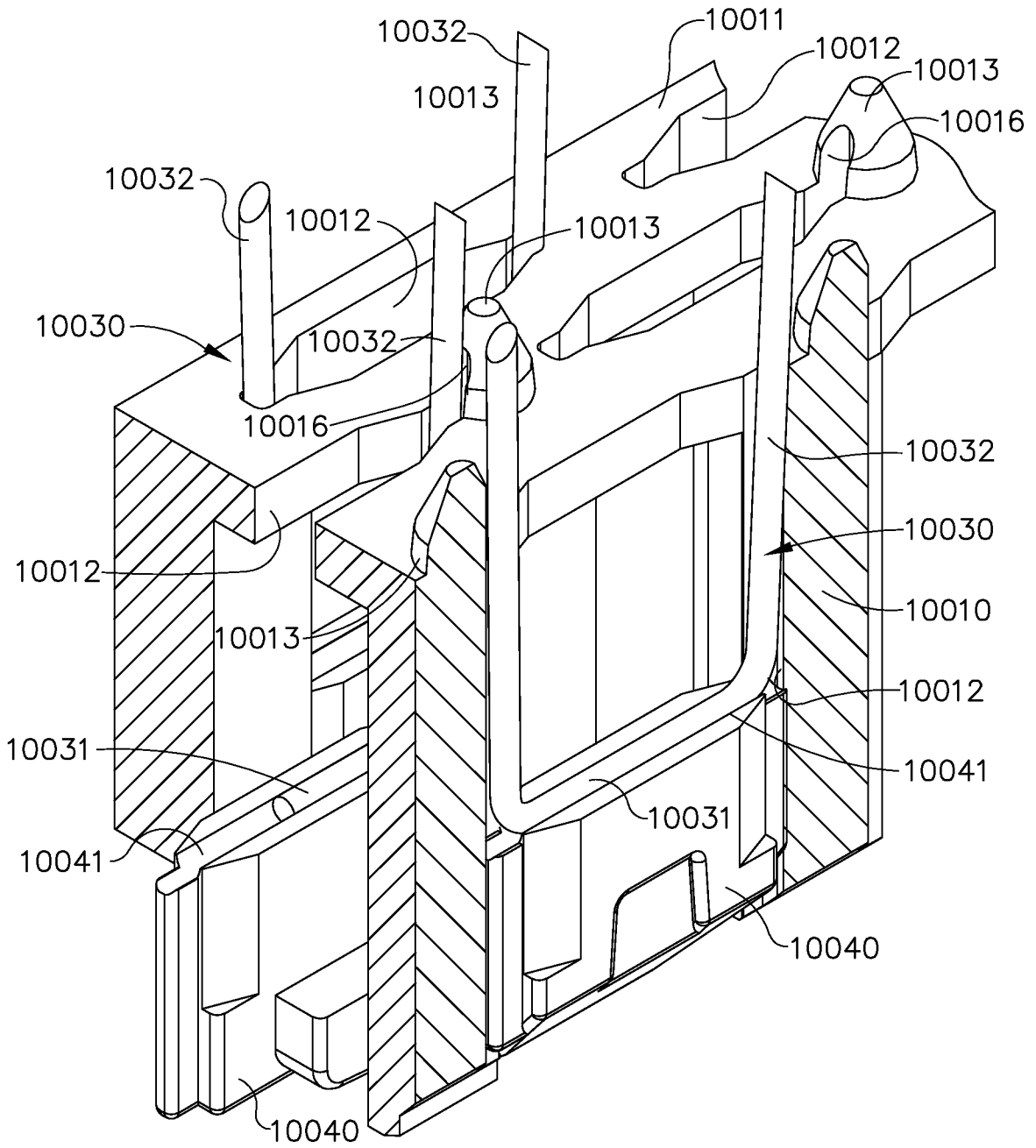


FIG. 235

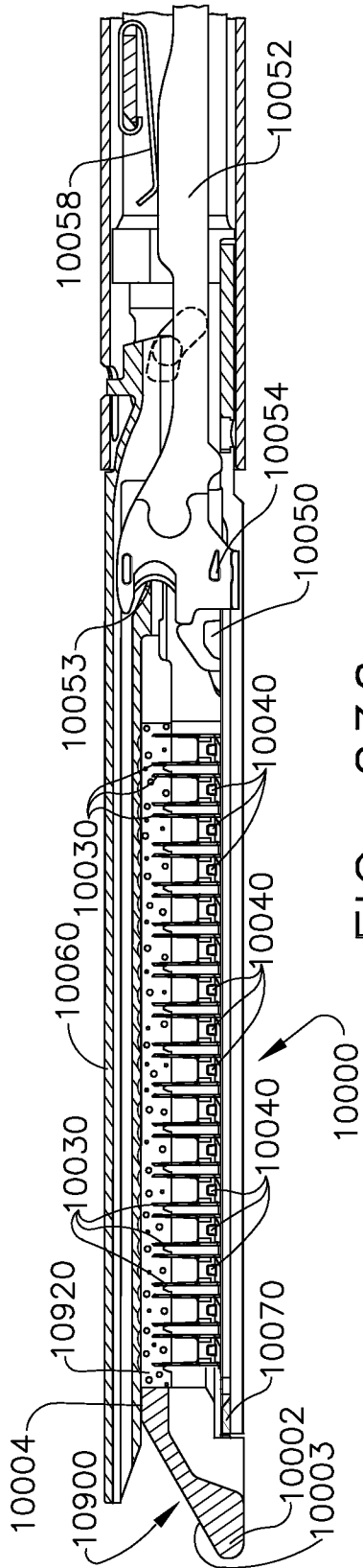


FIG. 236

139/301

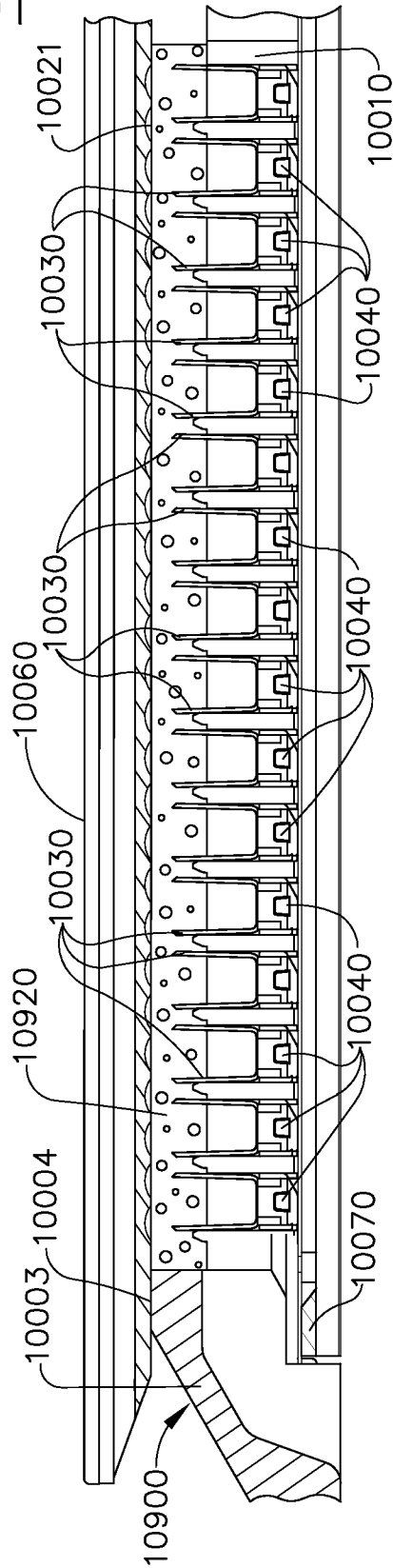


FIG. 237

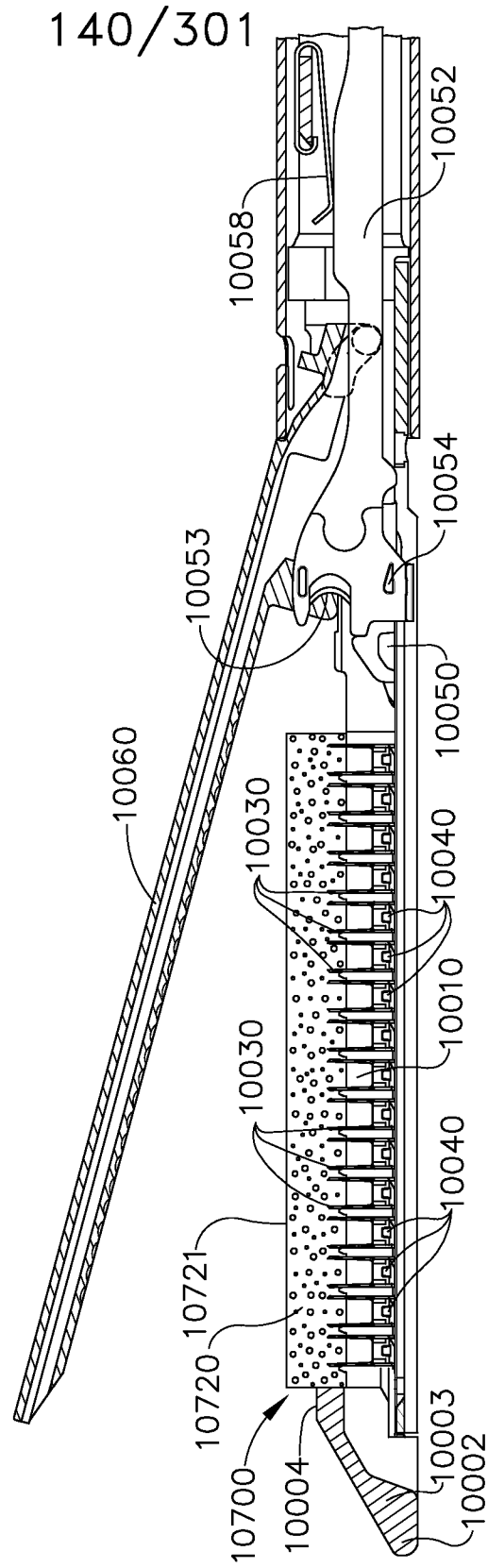


FIG. 238

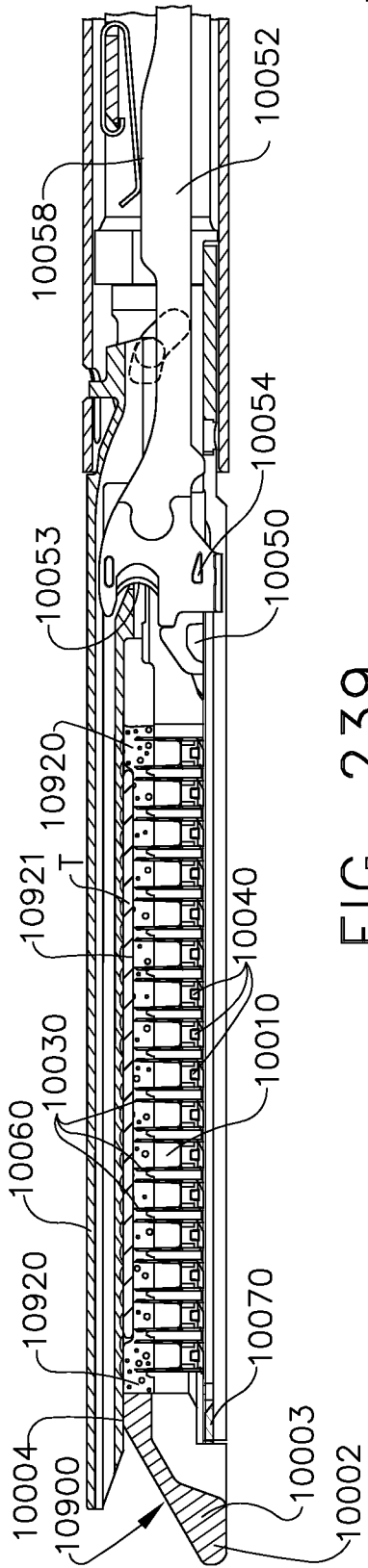


FIG. 239

141/301

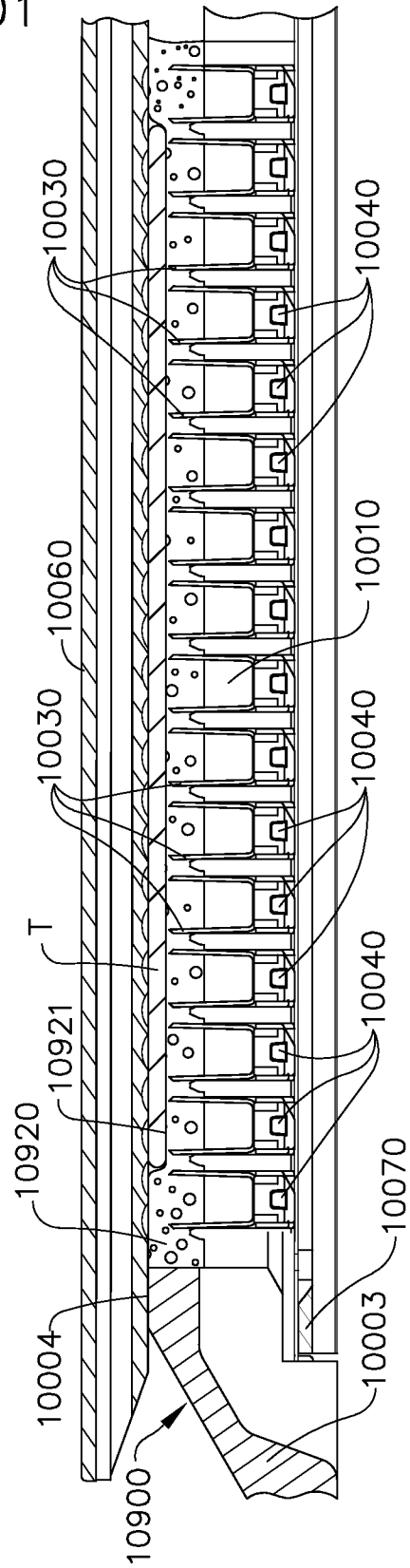


FIG. 240

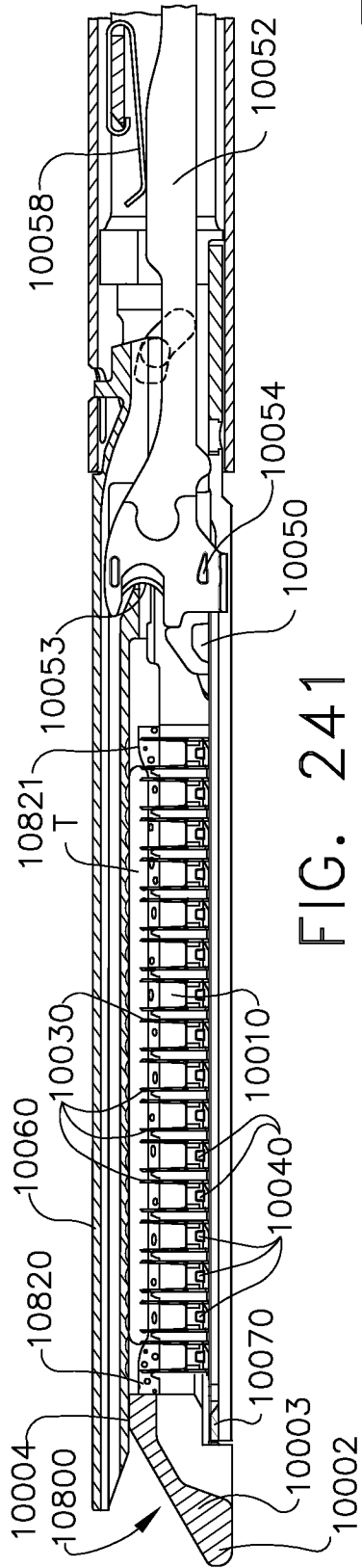


FIG. 241

142/301

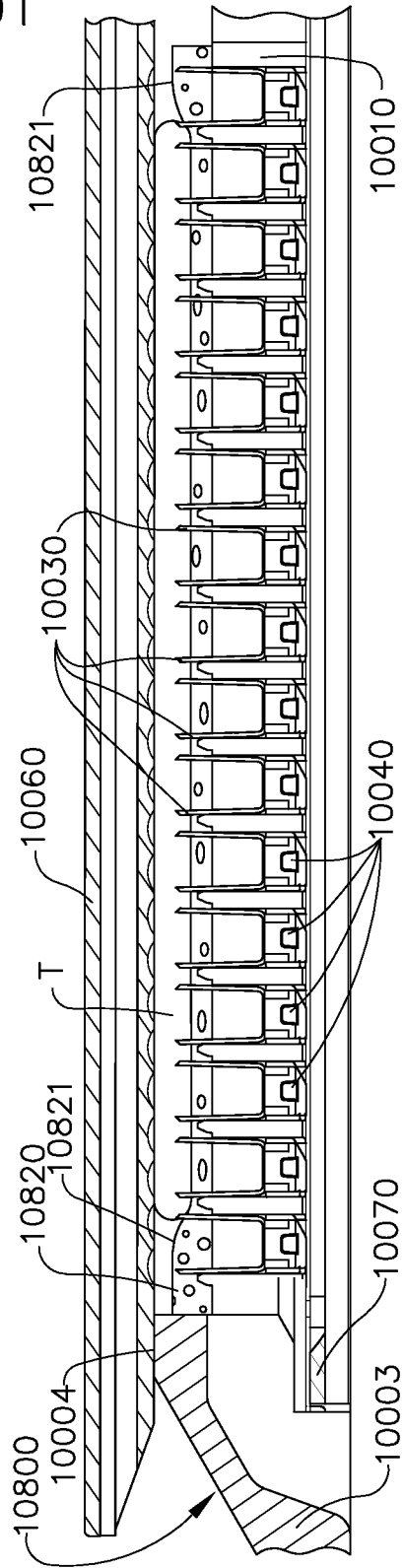


FIG. 242

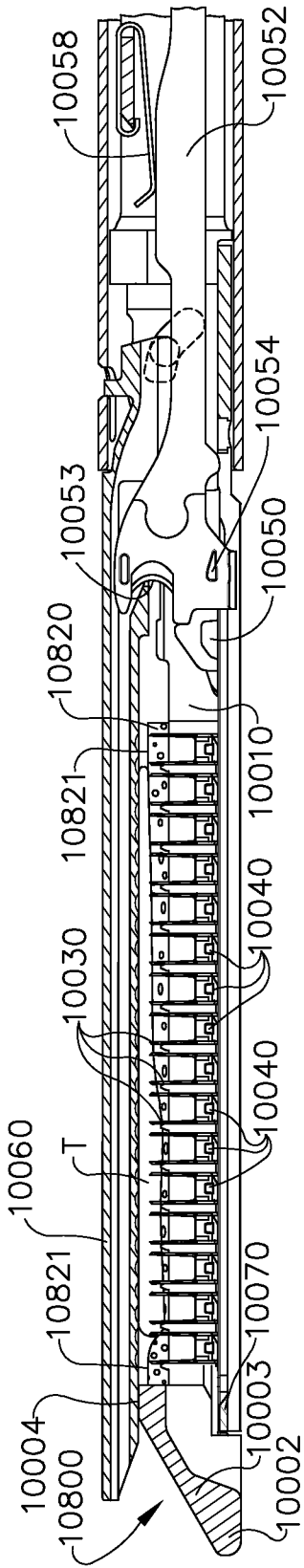


FIG. 243

143/301

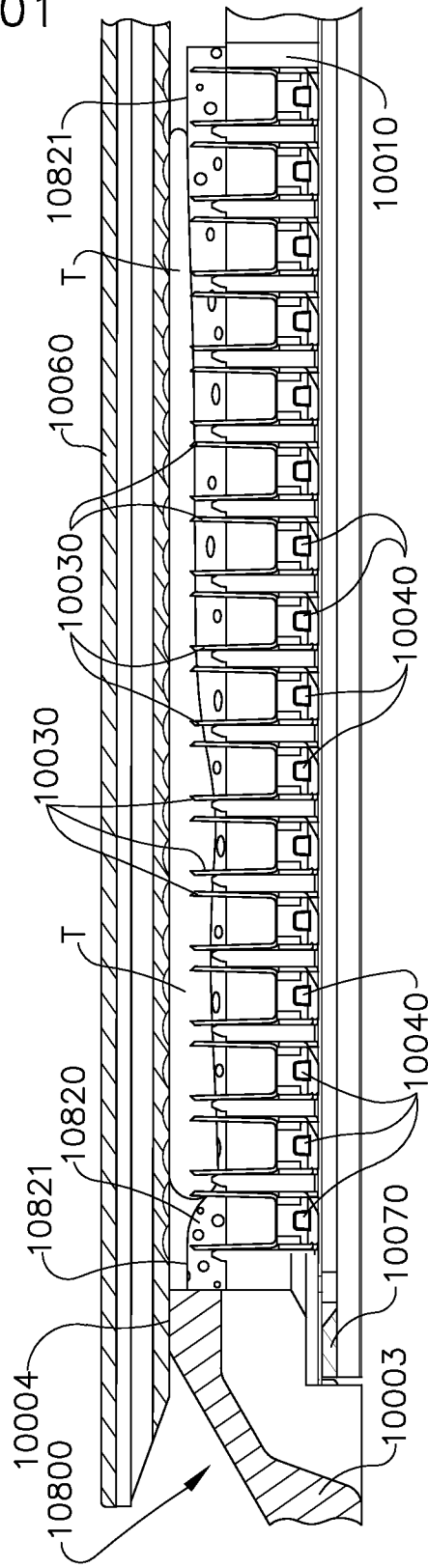


FIG. 244

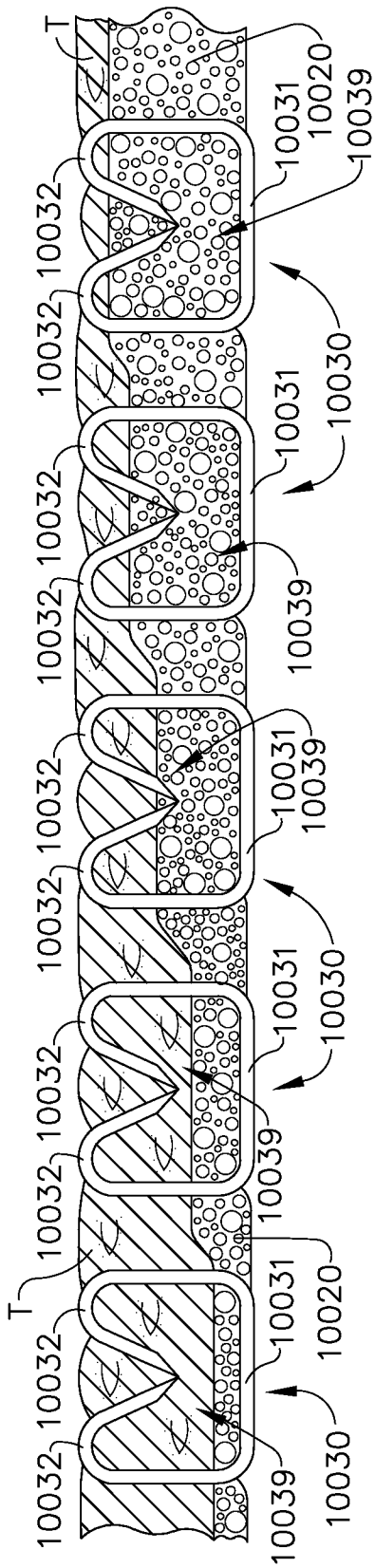


FIG. 245

144/301

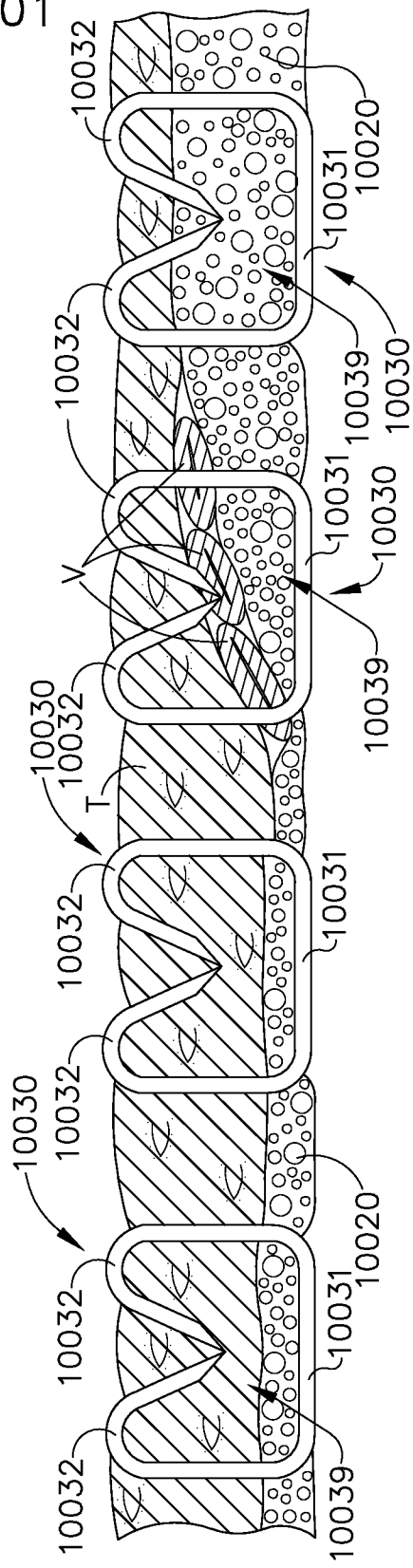


FIG. 246

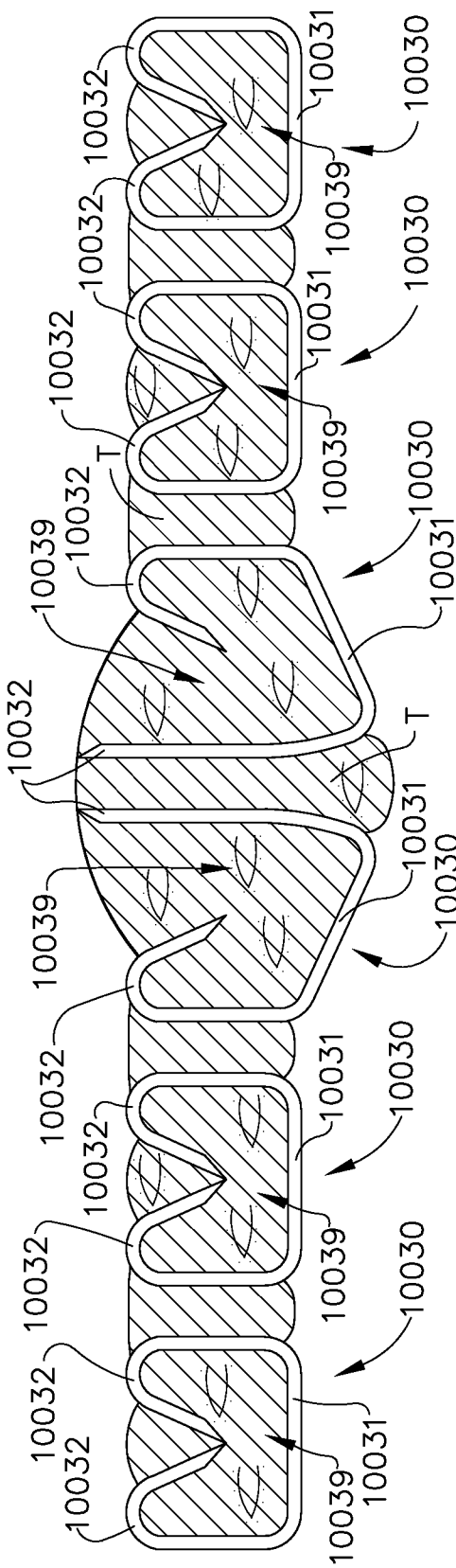


FIG. 247

145/301

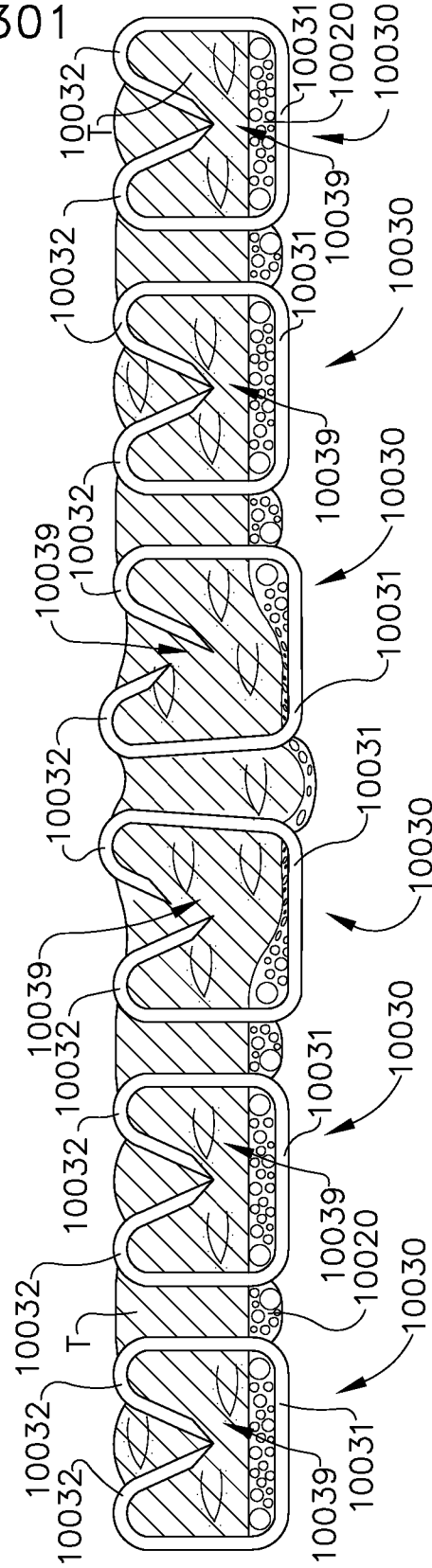


FIG. 248

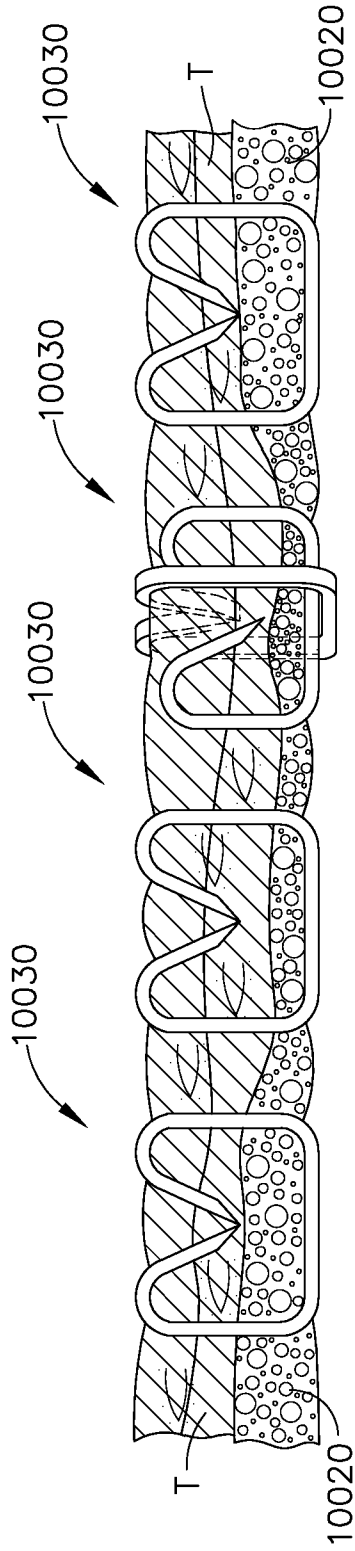


FIG. 249

146/301

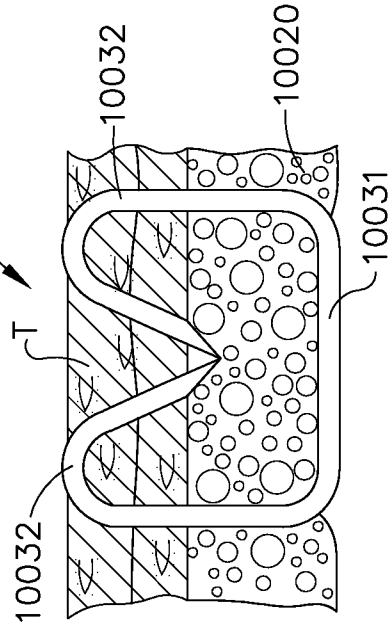


FIG. 251

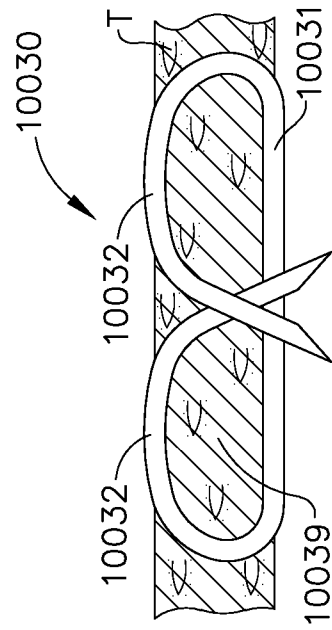


FIG. 250

147/301

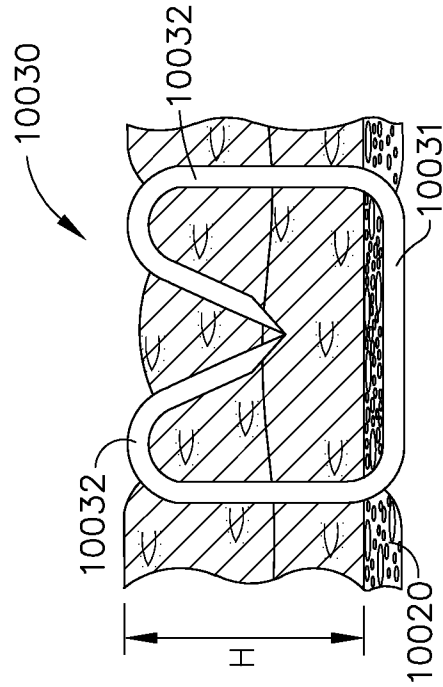


FIG. 253

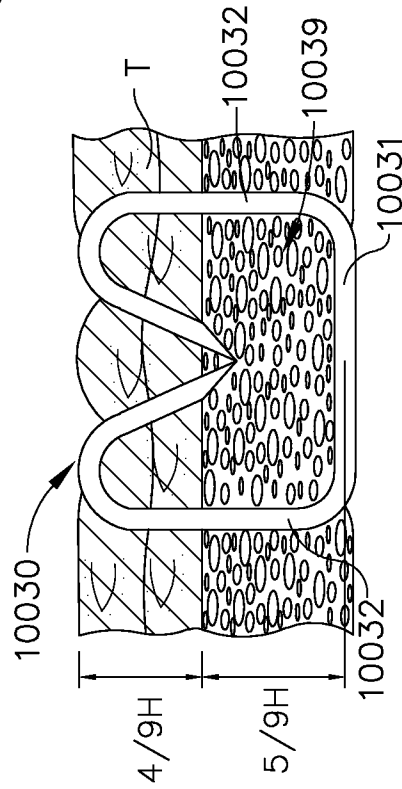


FIG. 255

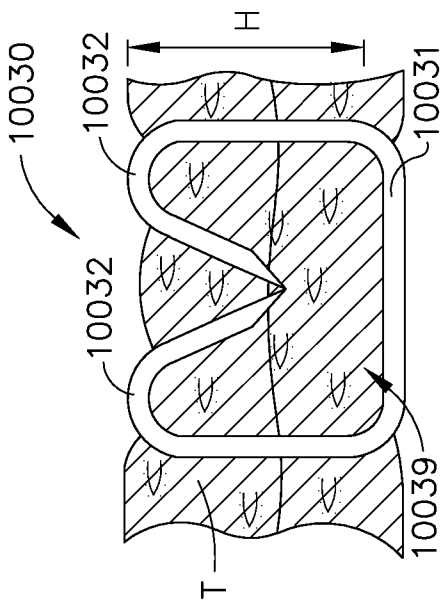


FIG. 252

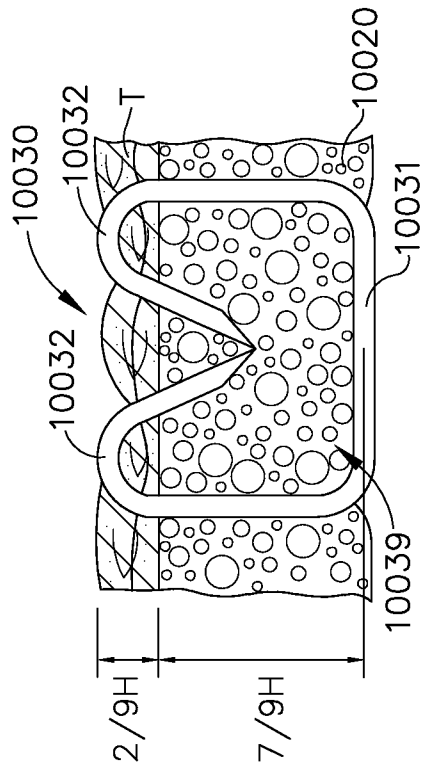


FIG. 254

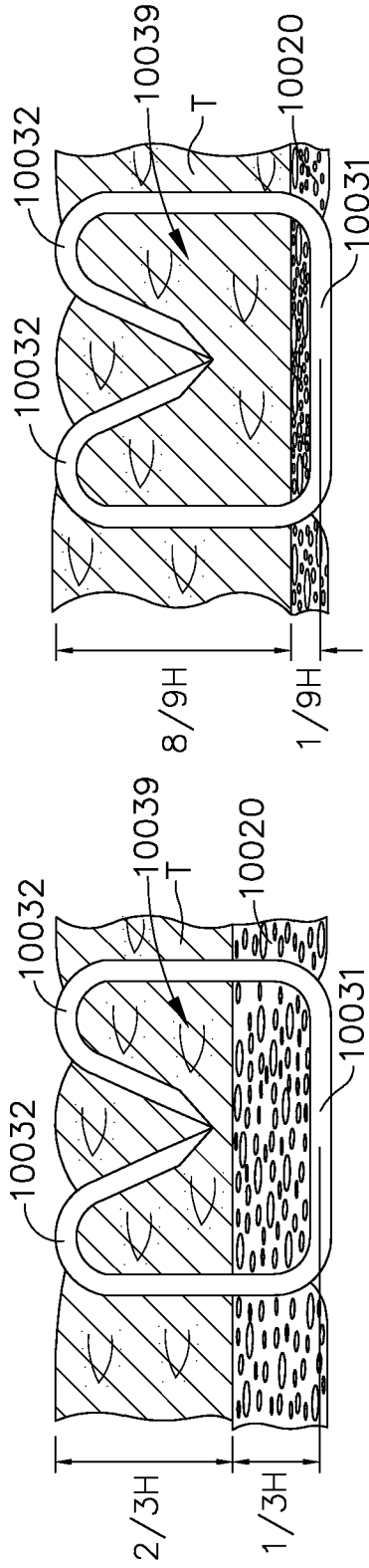


FIG. 256

FIG. 257

148/301

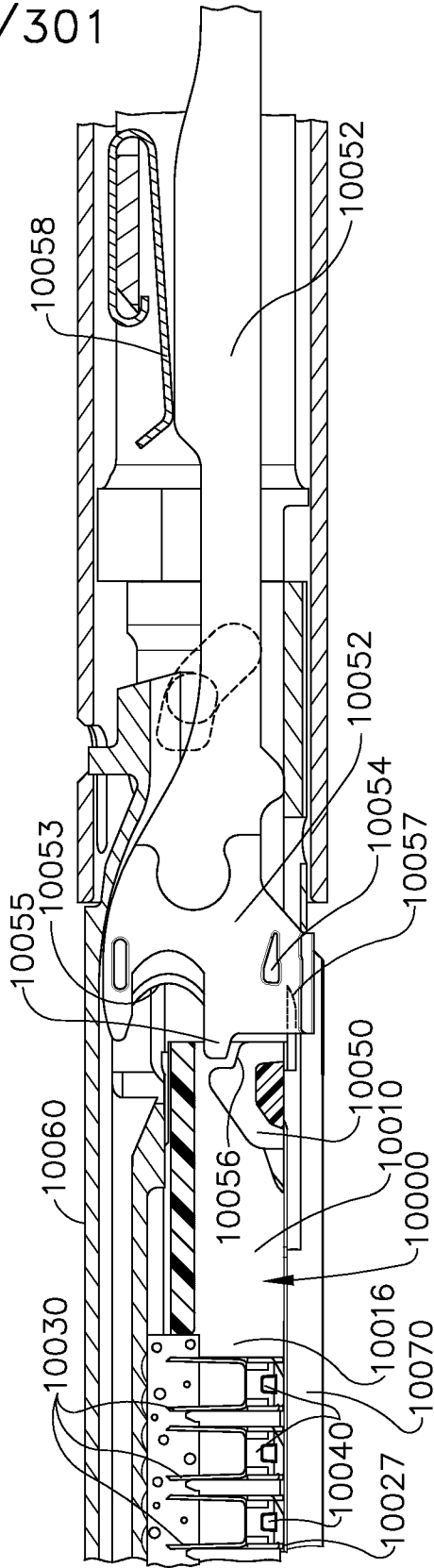
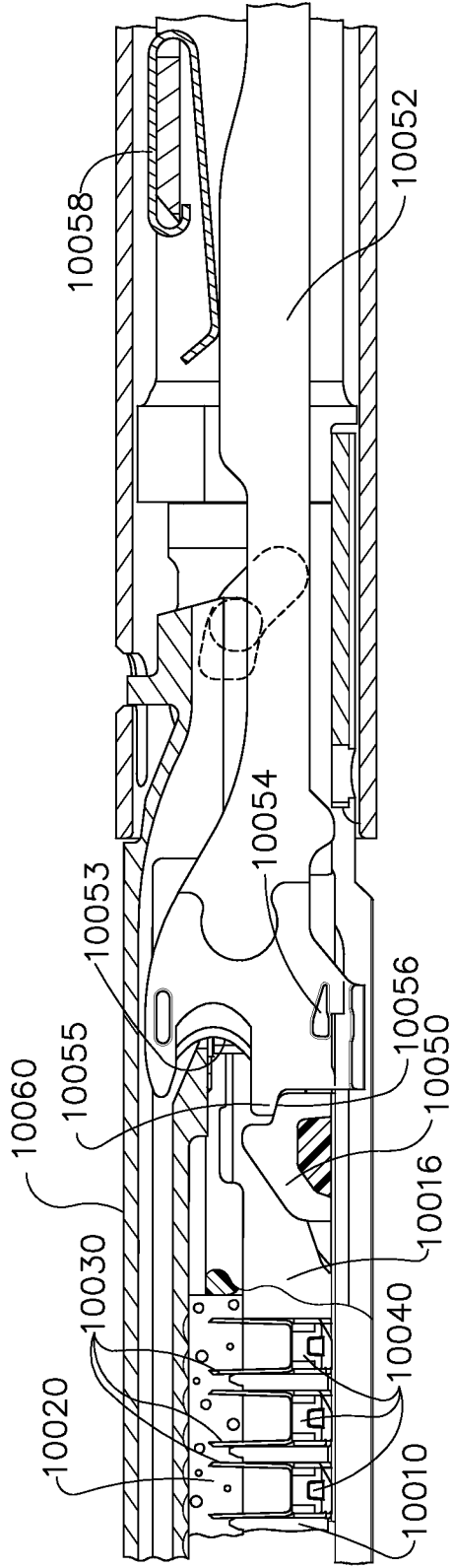


FIG. 258



149/301

FIG. 259

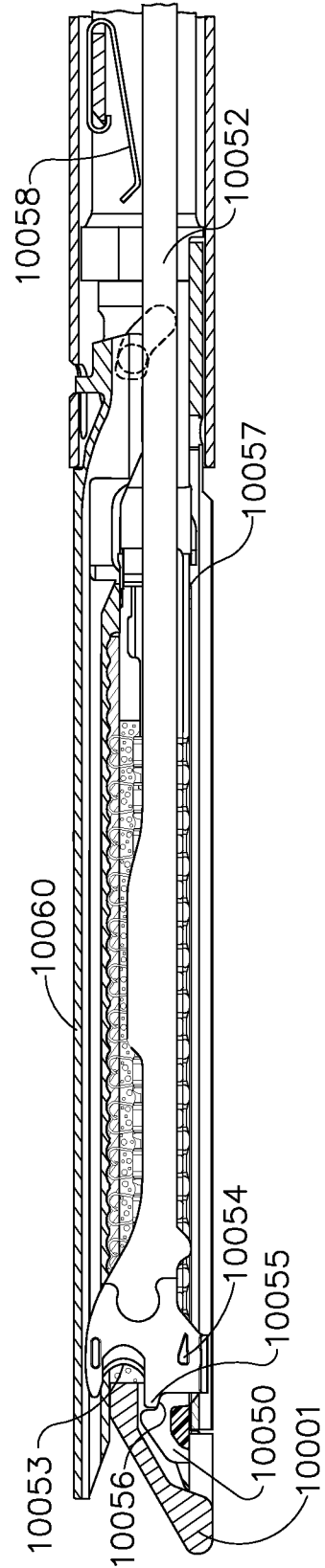


FIG. 260

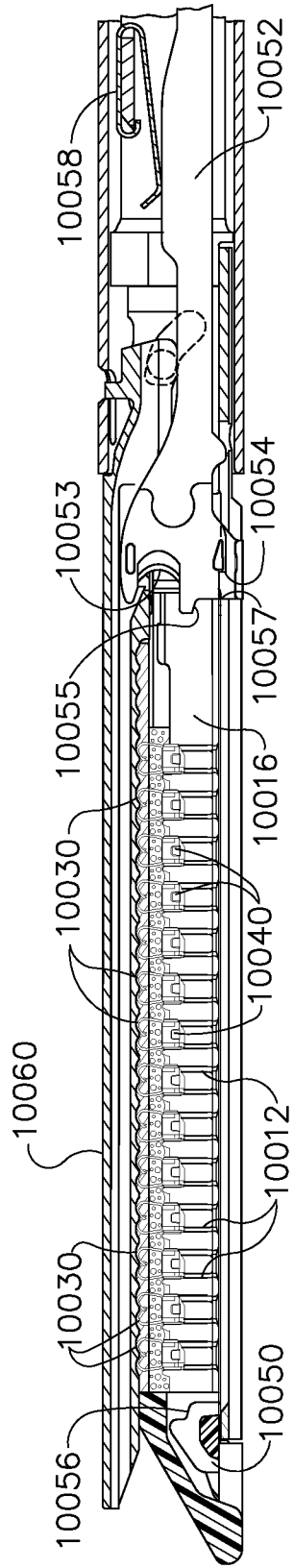


FIG. 261

150/301

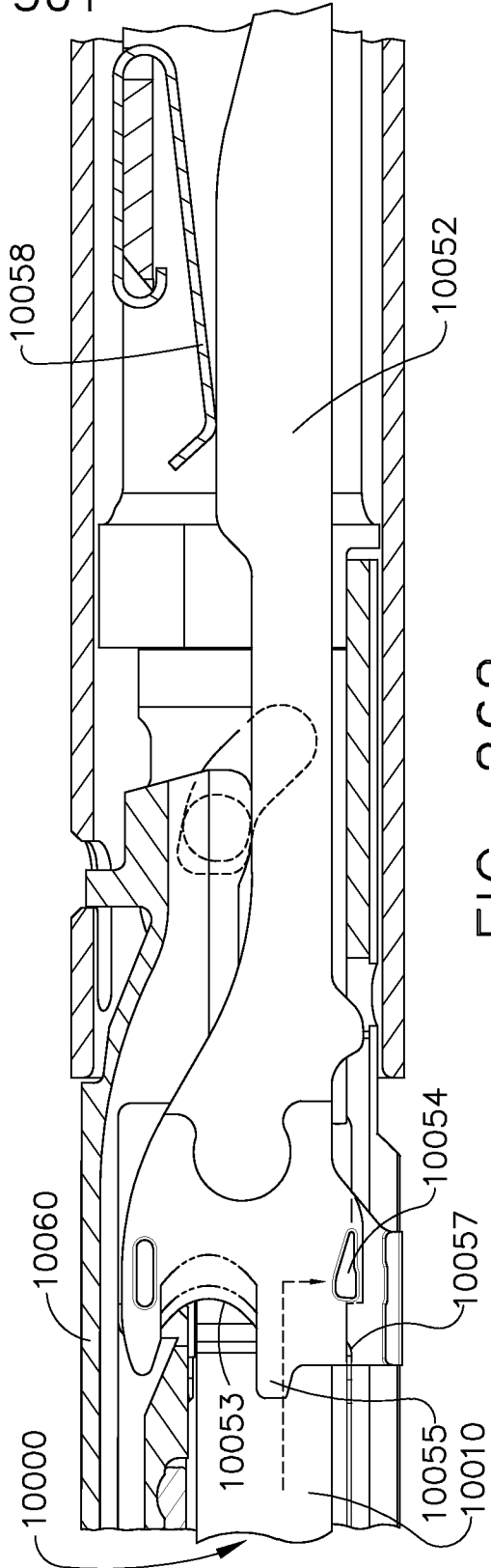
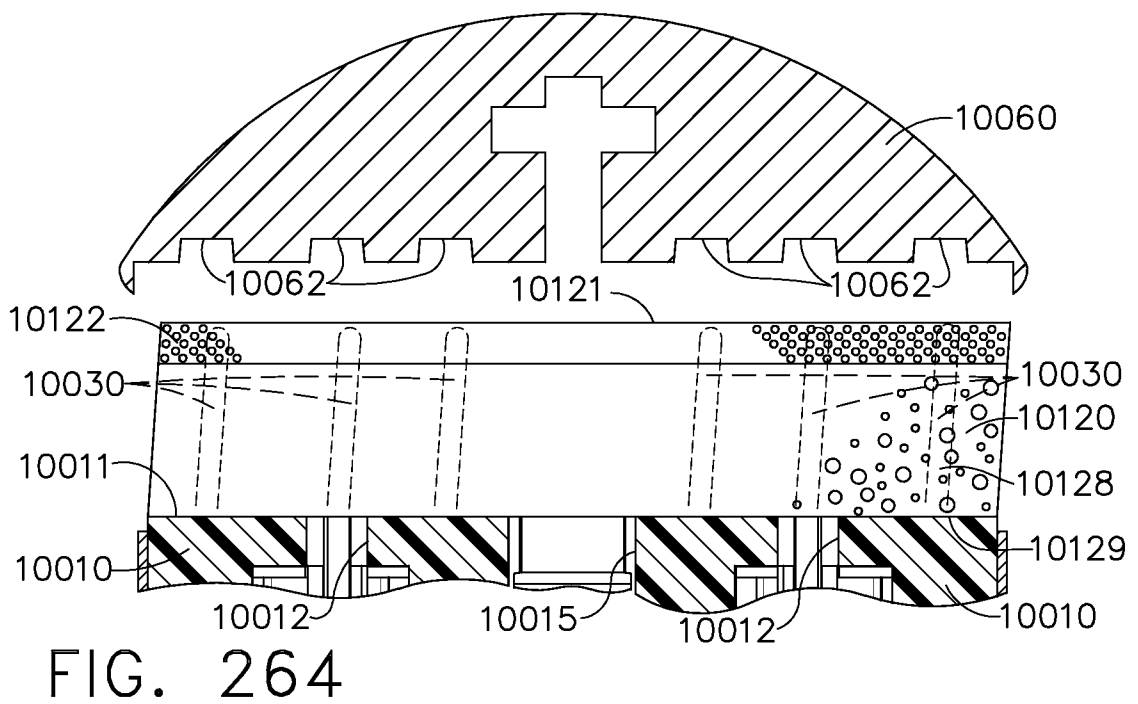
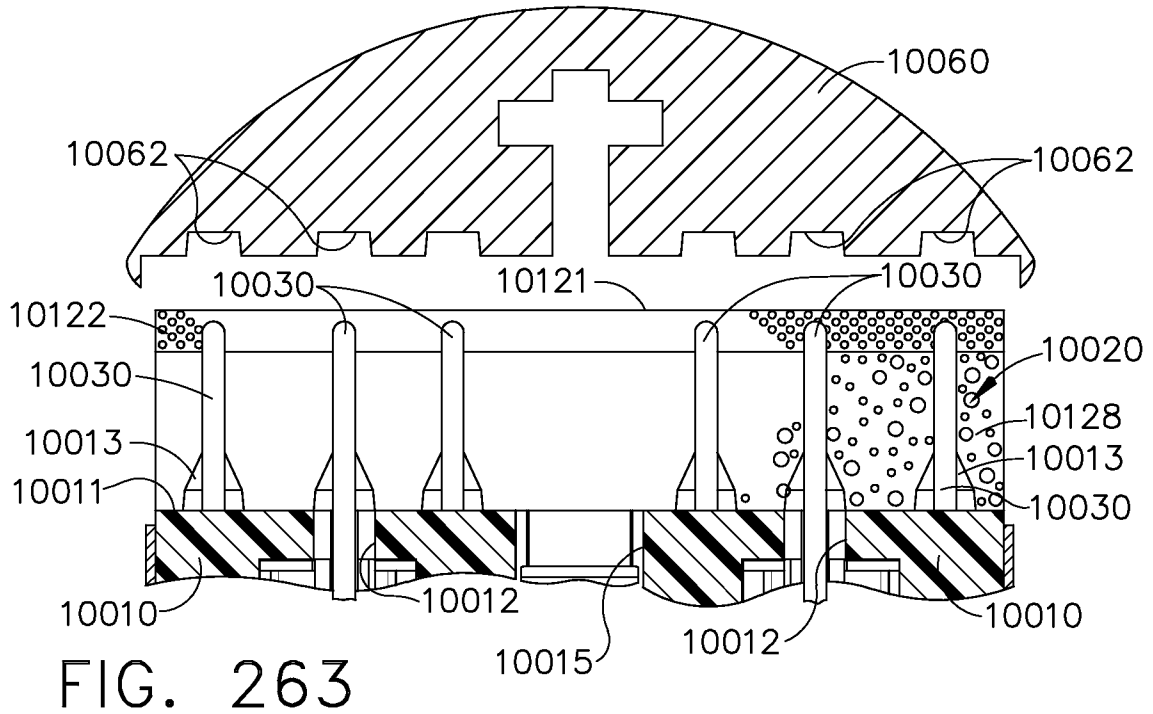


FIG. 262

151/301



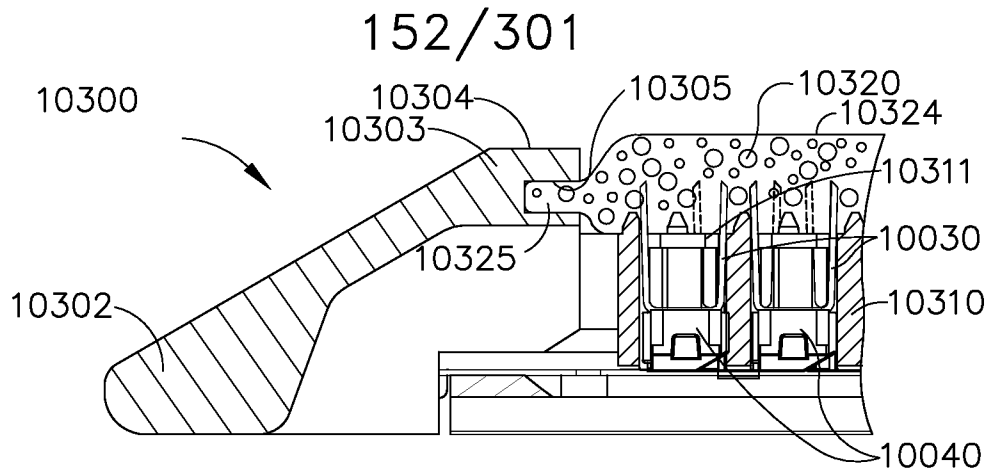


FIG. 265

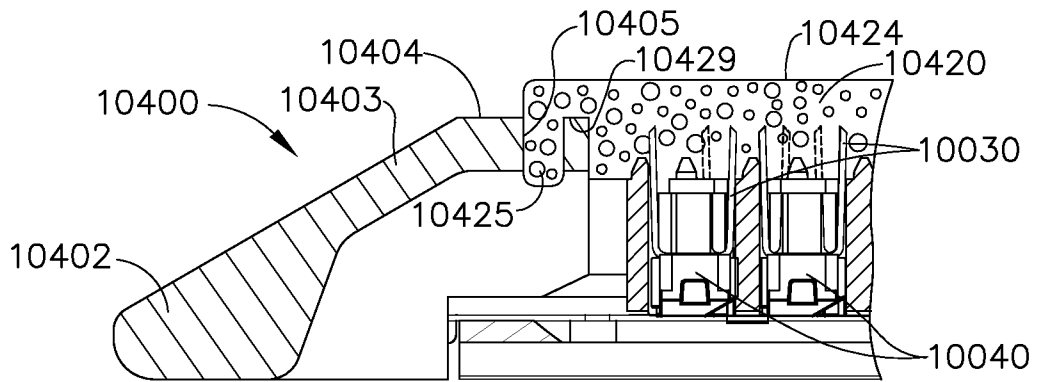


FIG. 266

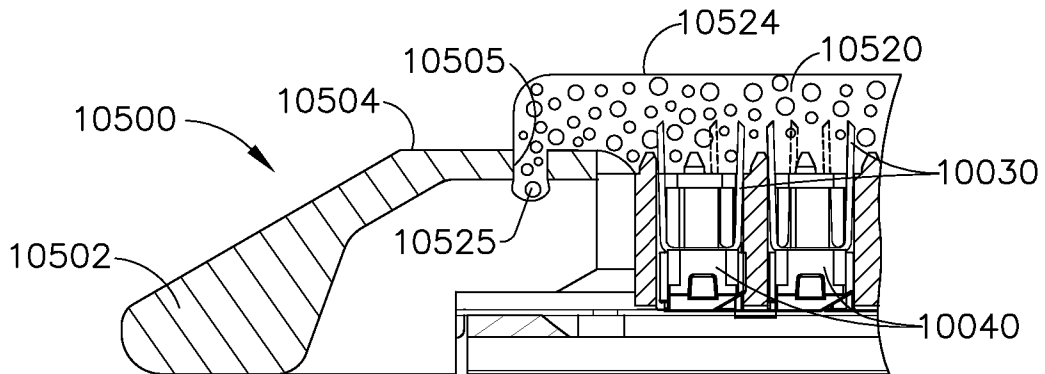


FIG. 267

153/301

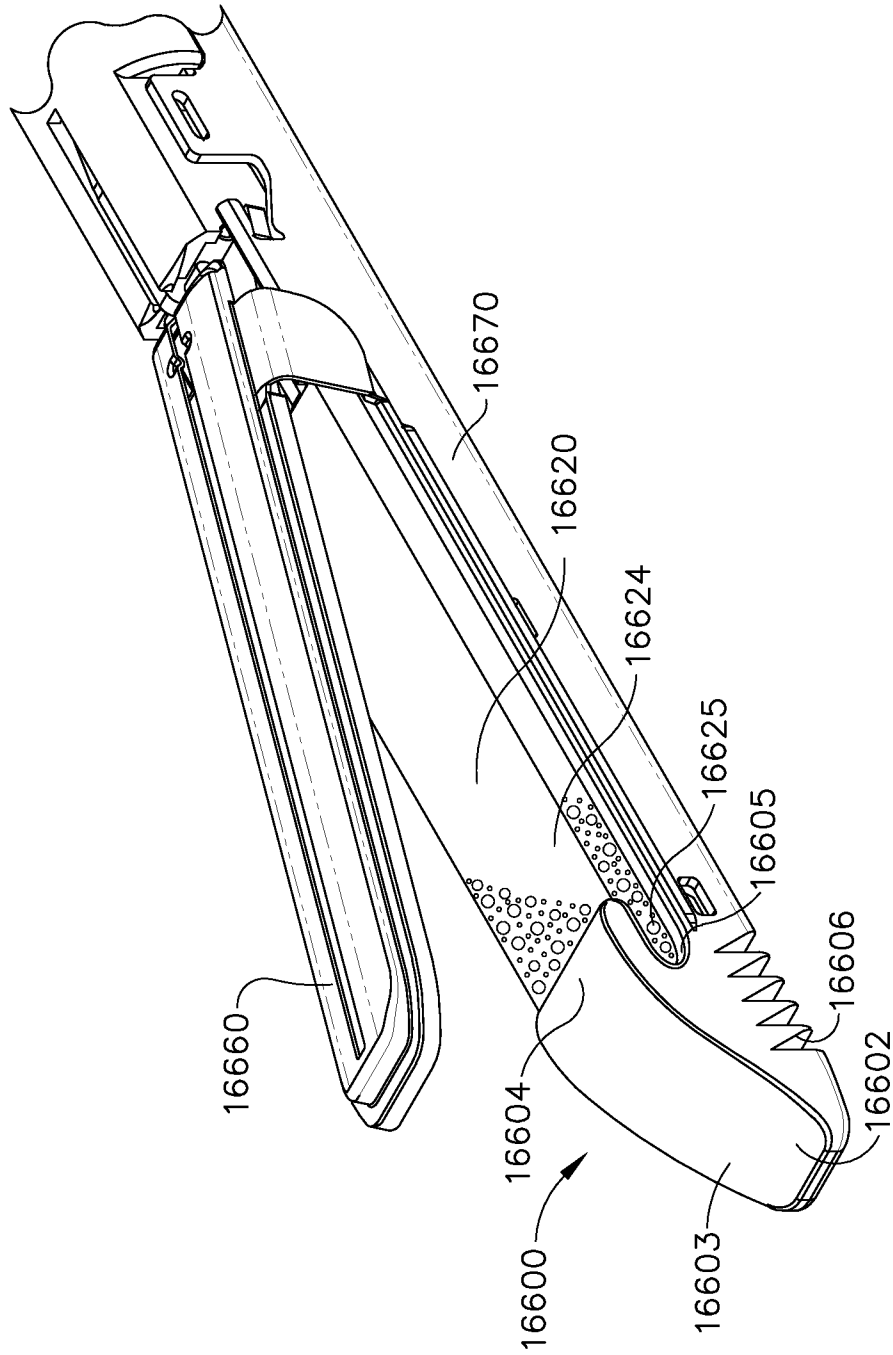


FIG. 268

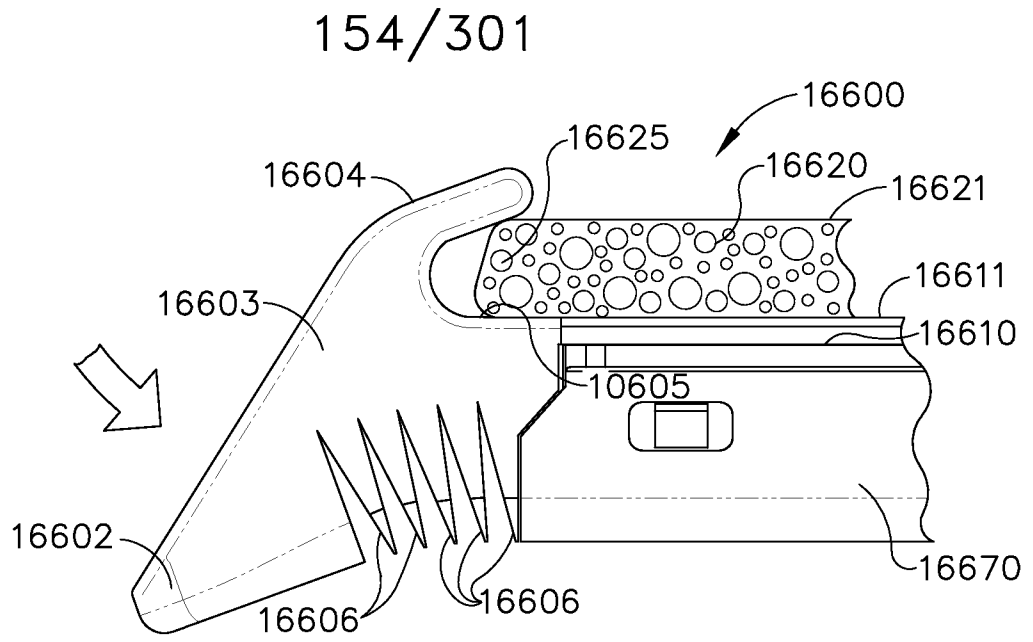


FIG. 269

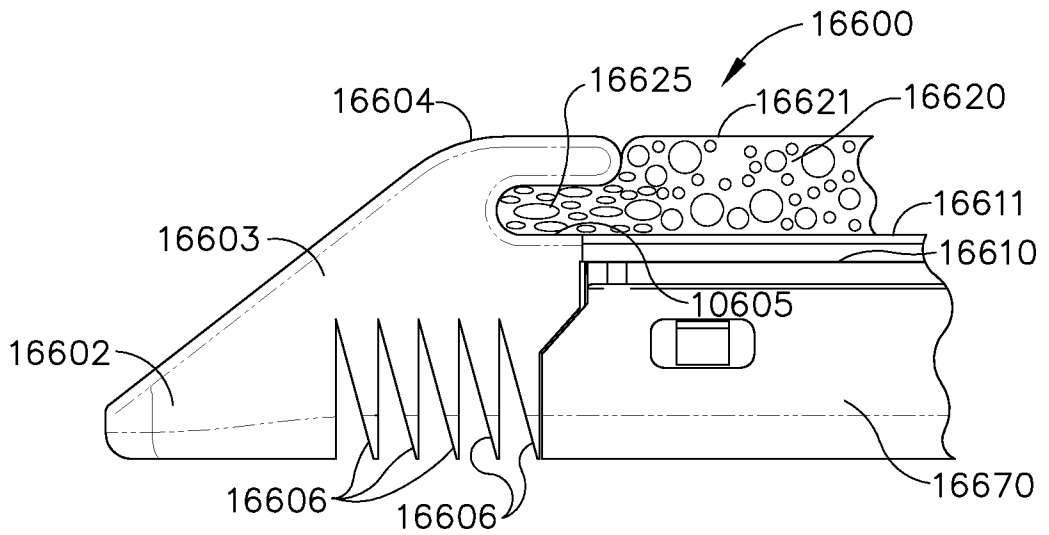


FIG. 270

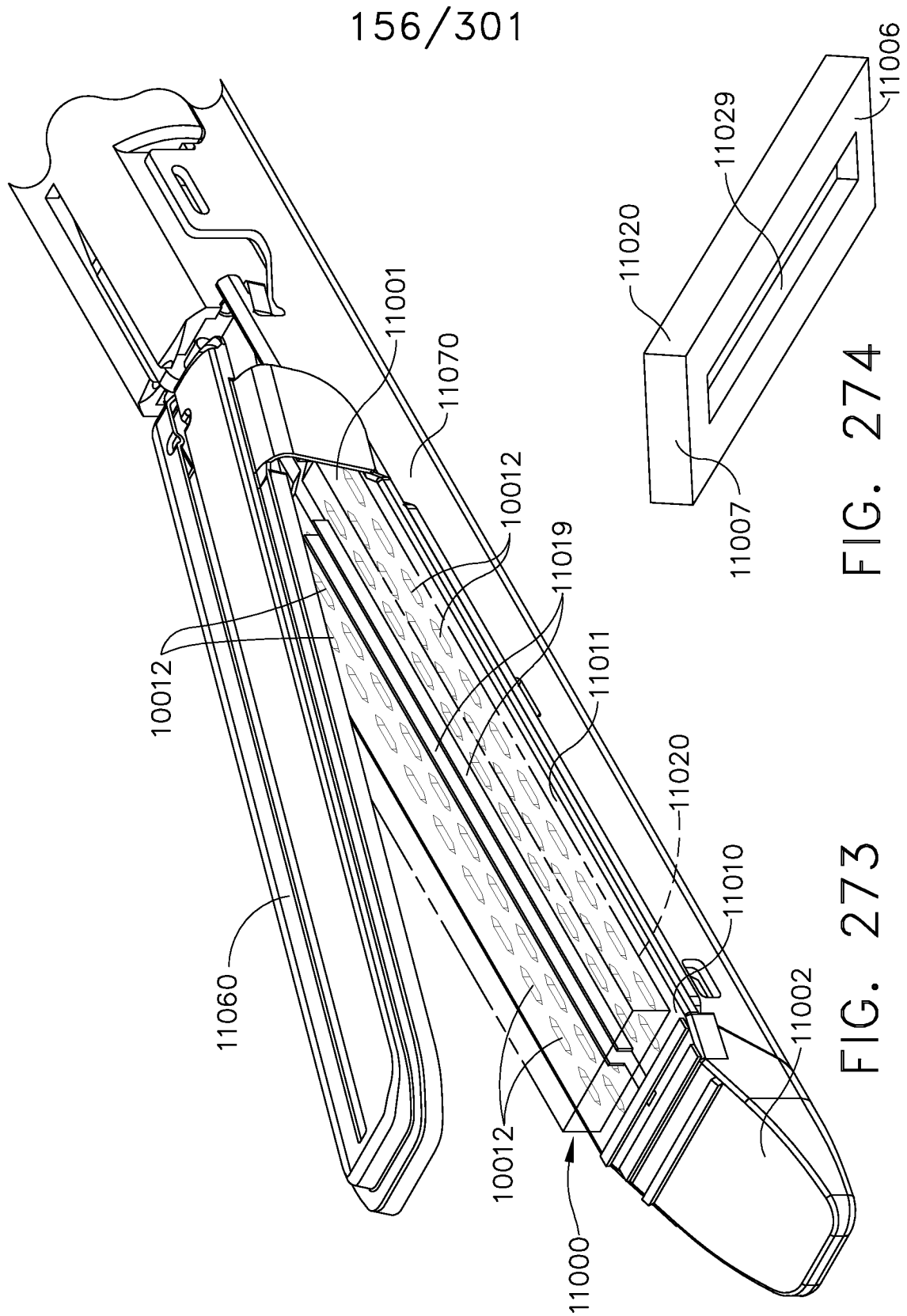


FIG. 274

FIG. 273

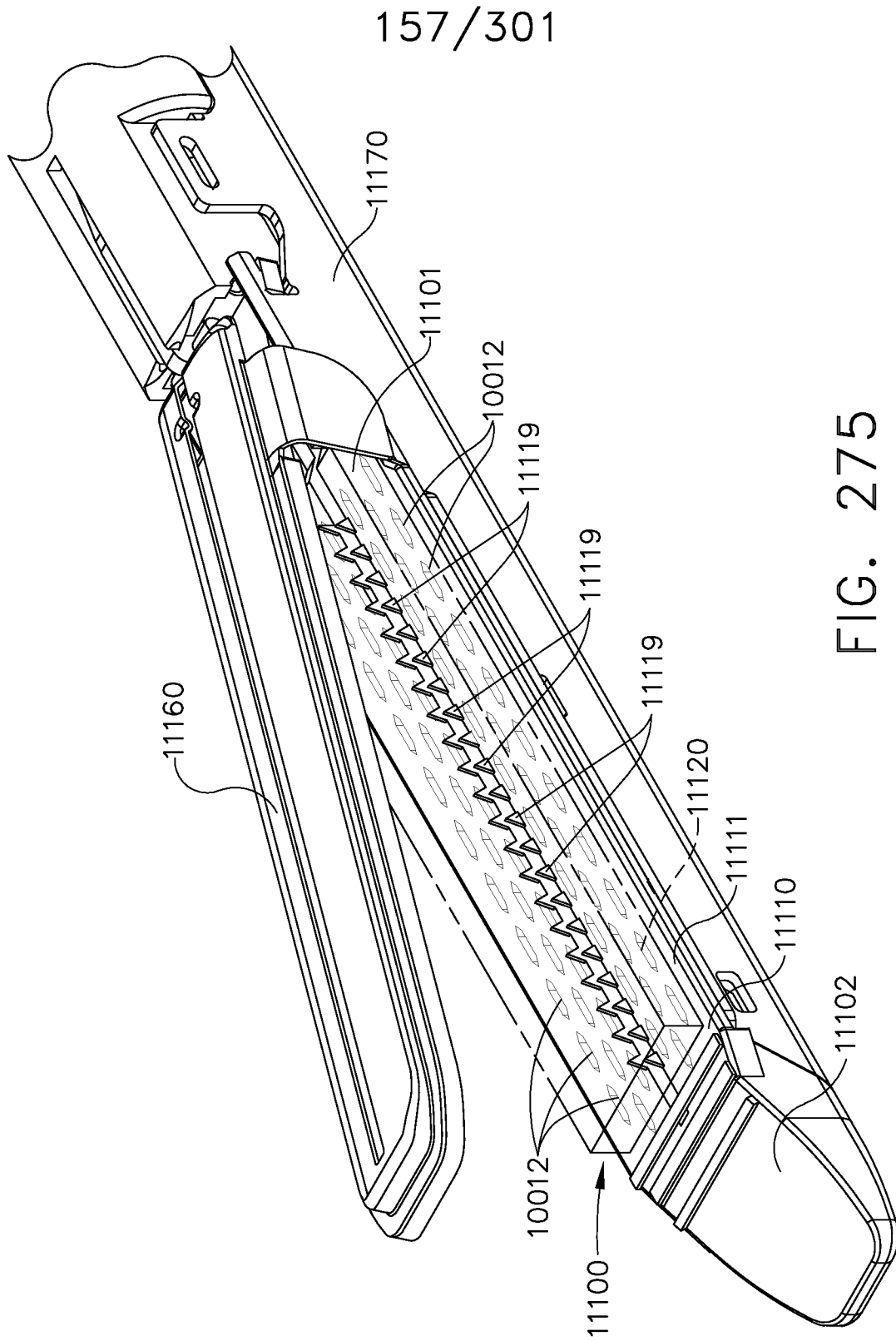


FIG. 275

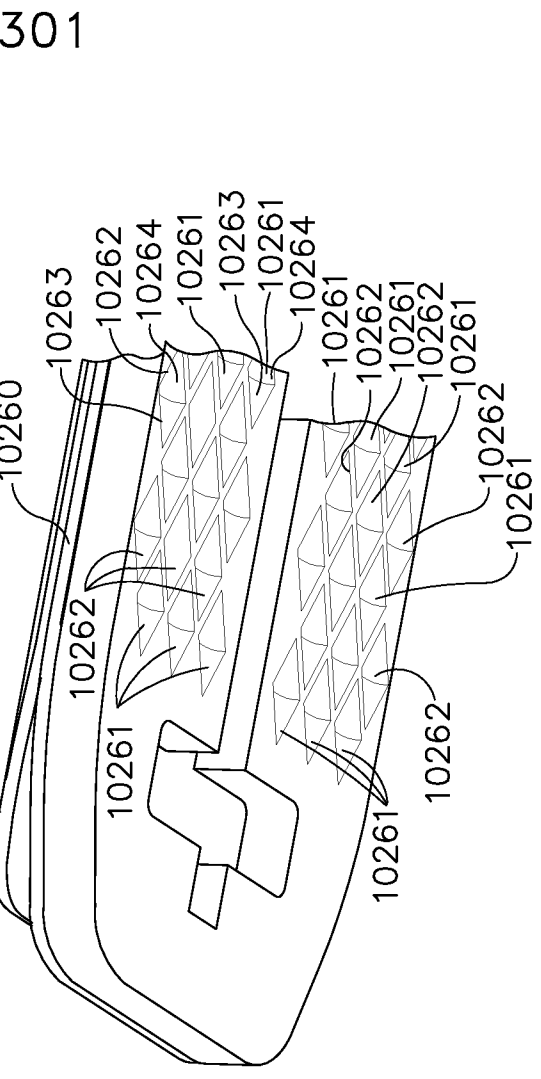
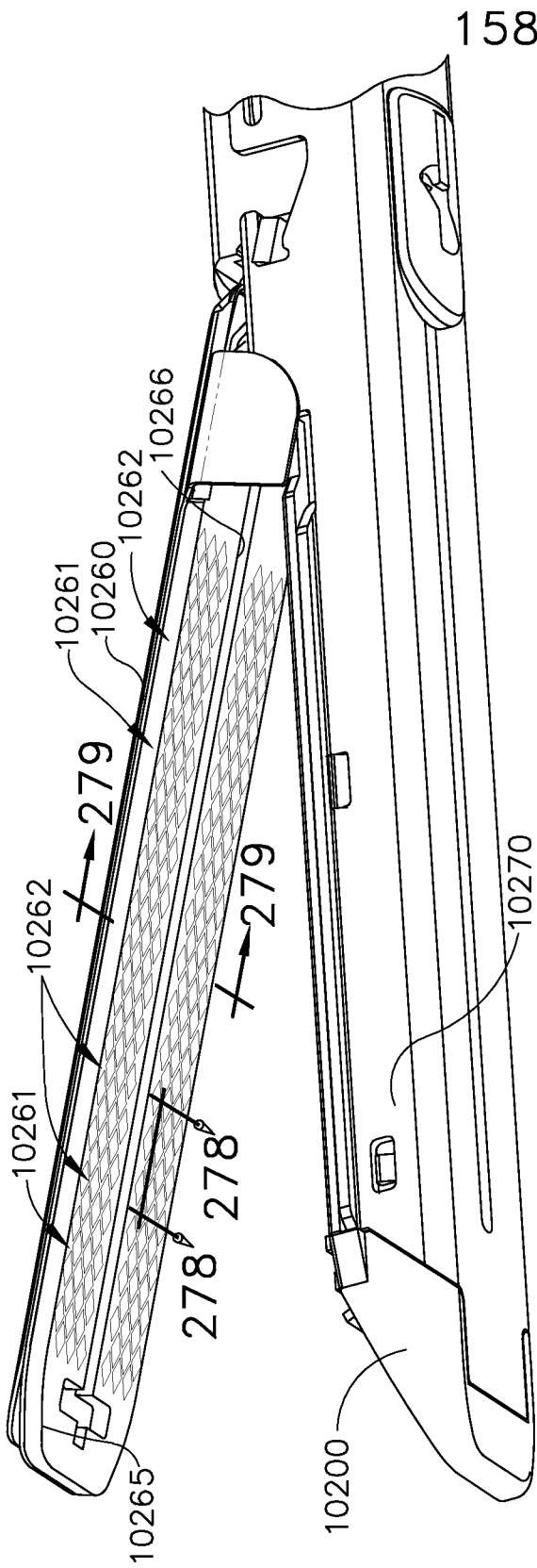
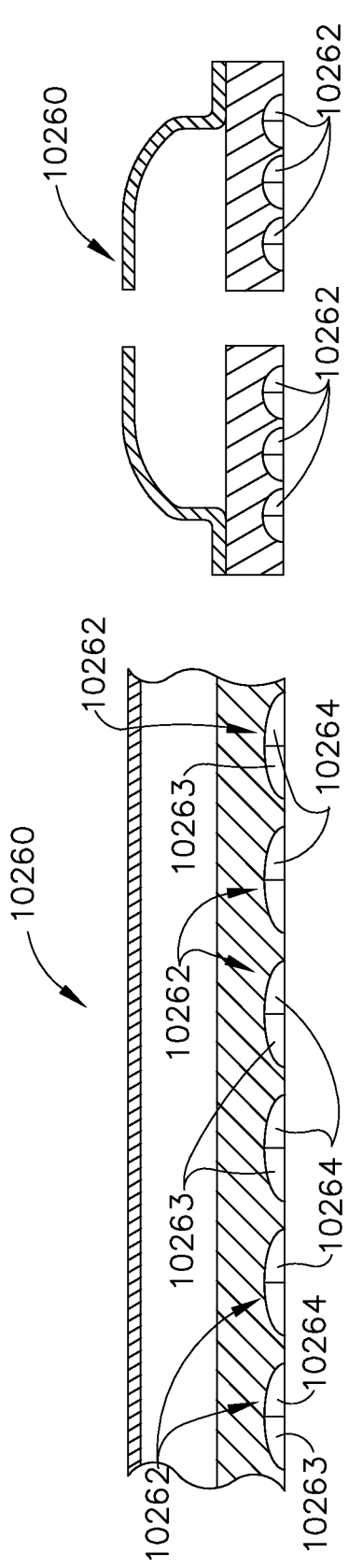


FIG. 276

FIG. 277



159/301
FIG. 279

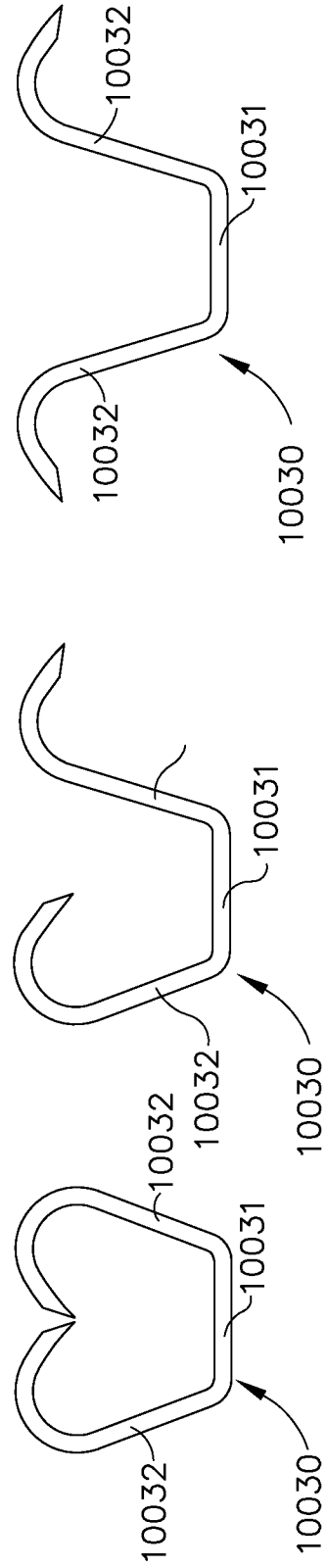


FIG. 280 FIG. 281 FIG. 282

160/301

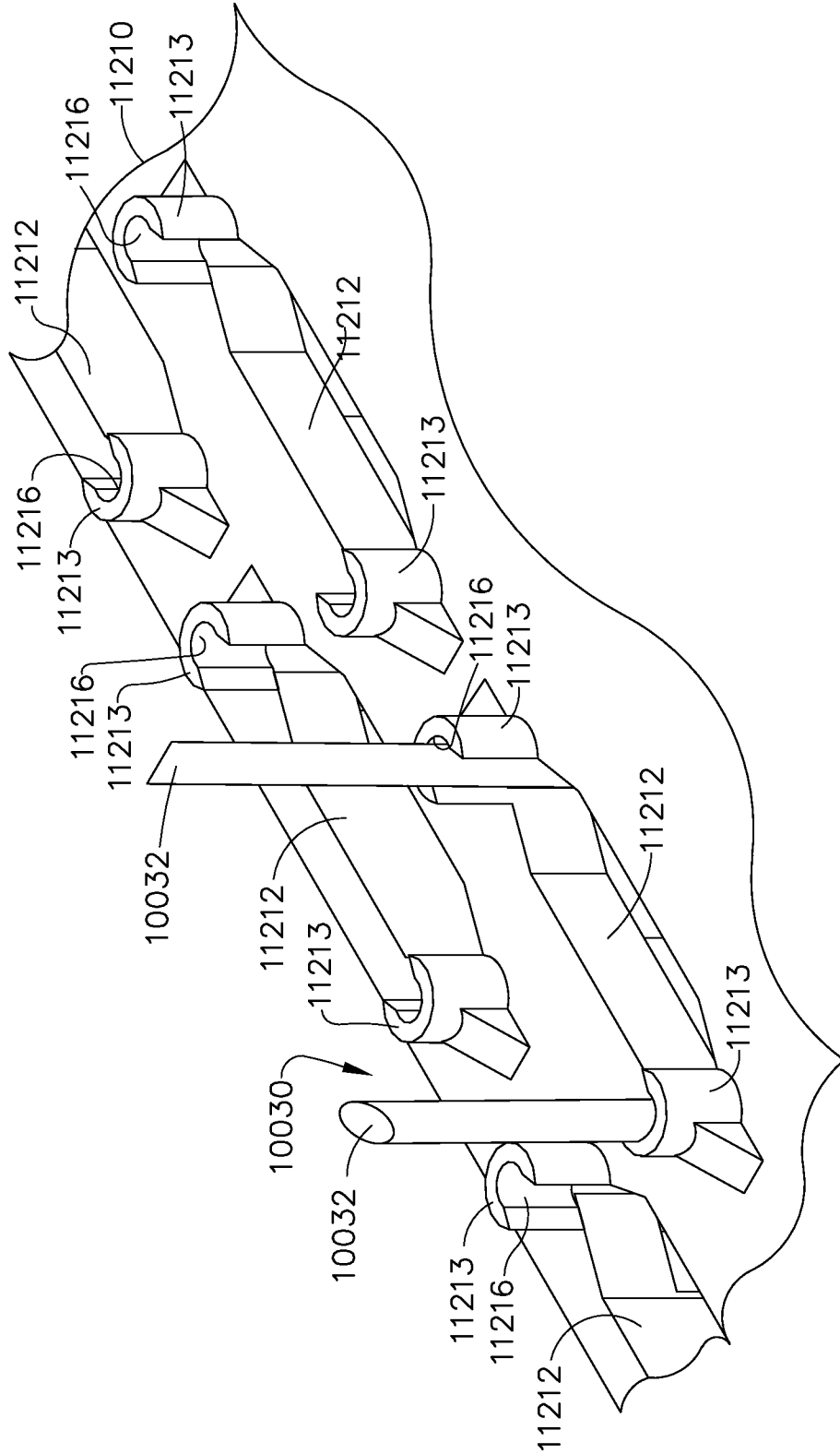


FIG. 283

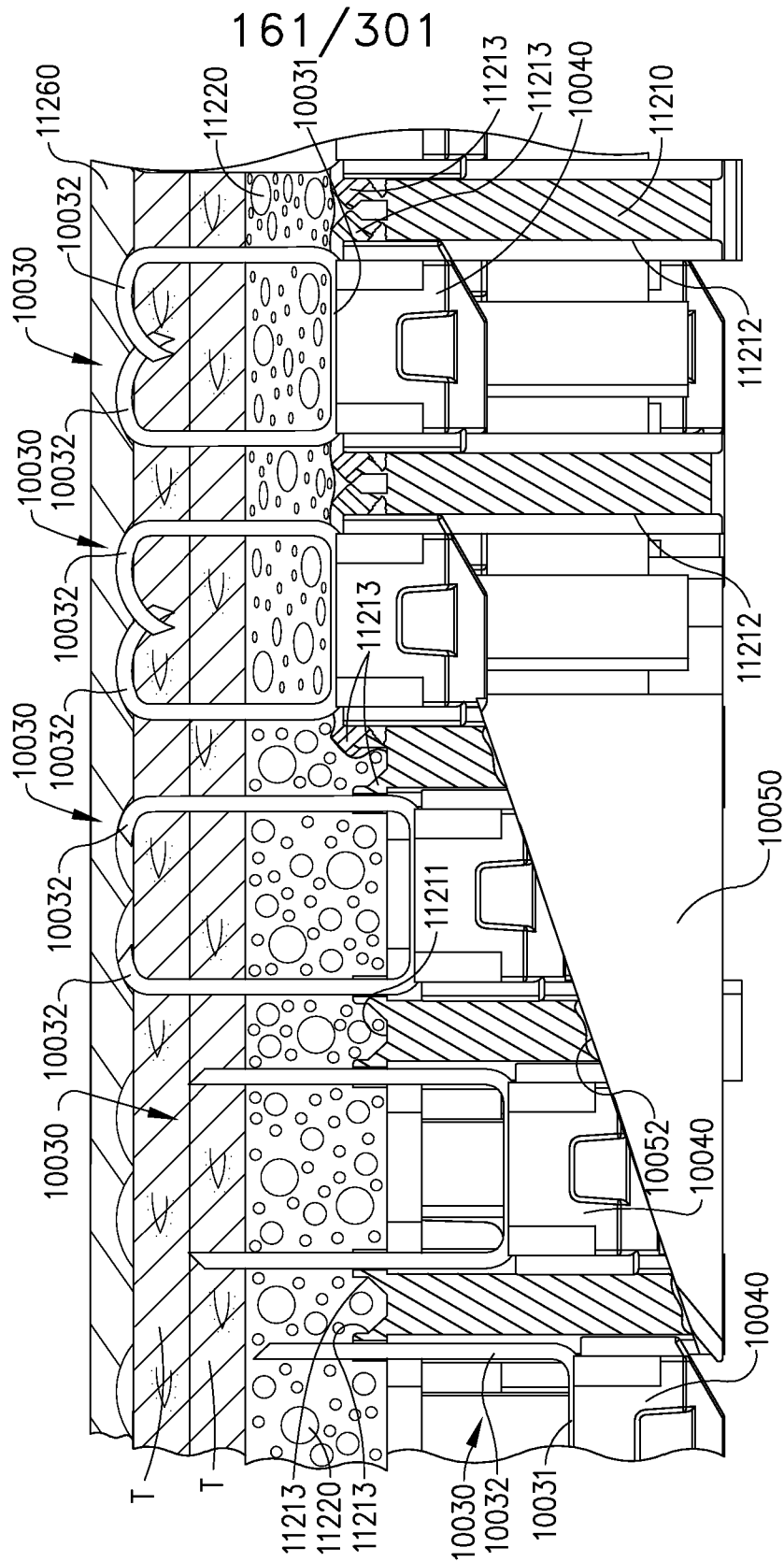


FIG. 284

162/301

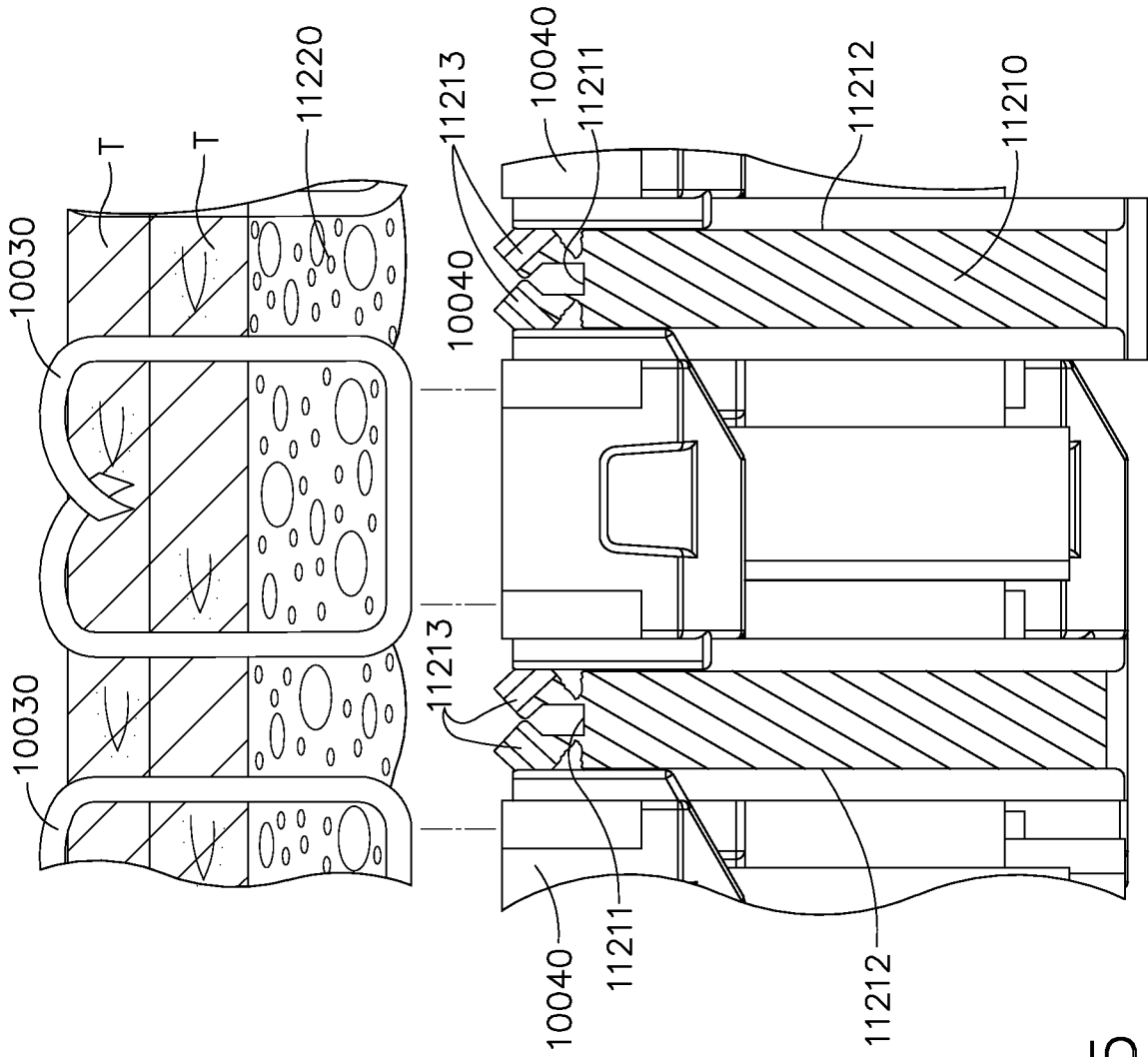


FIG. 285

163/301

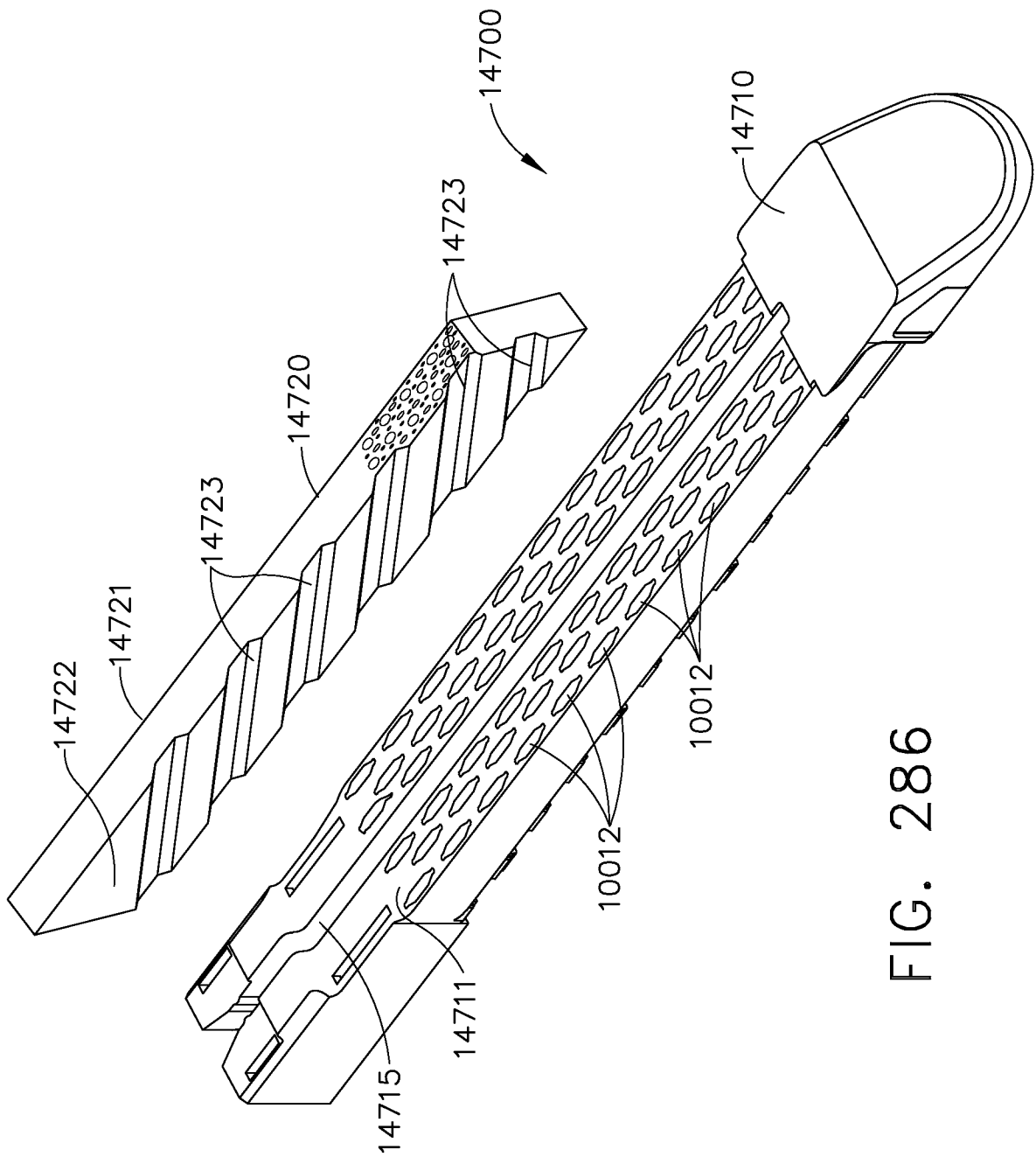


FIG. 286

164/301

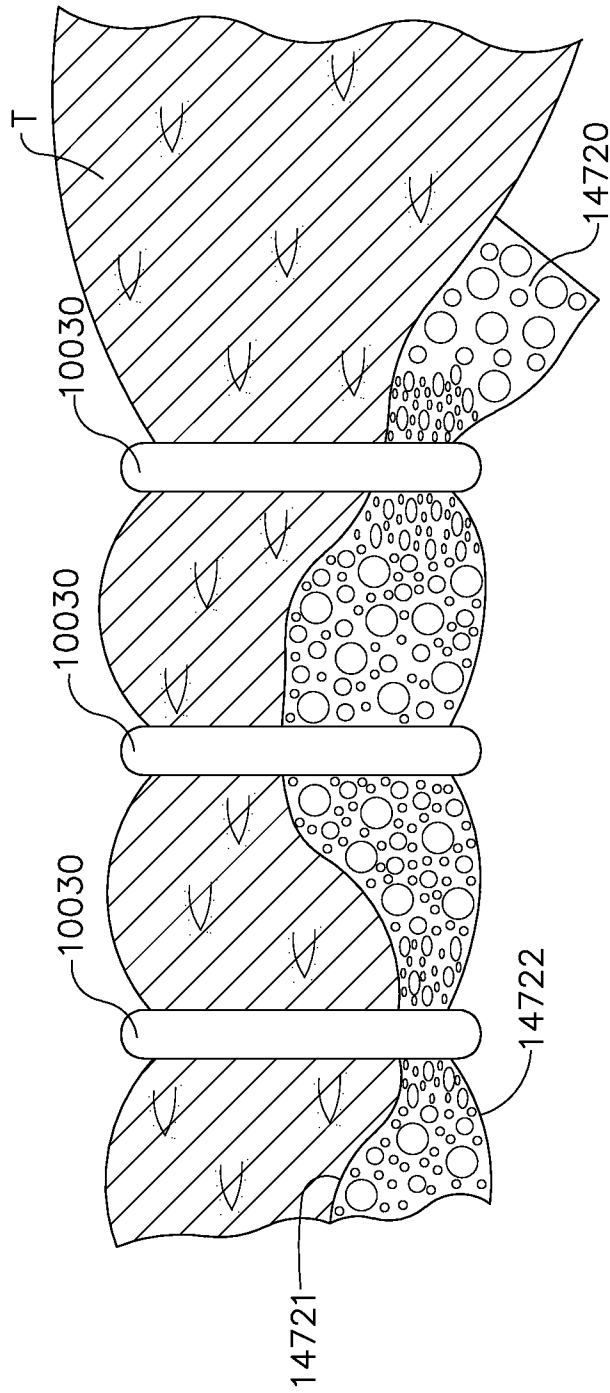


FIG. 287

165/301

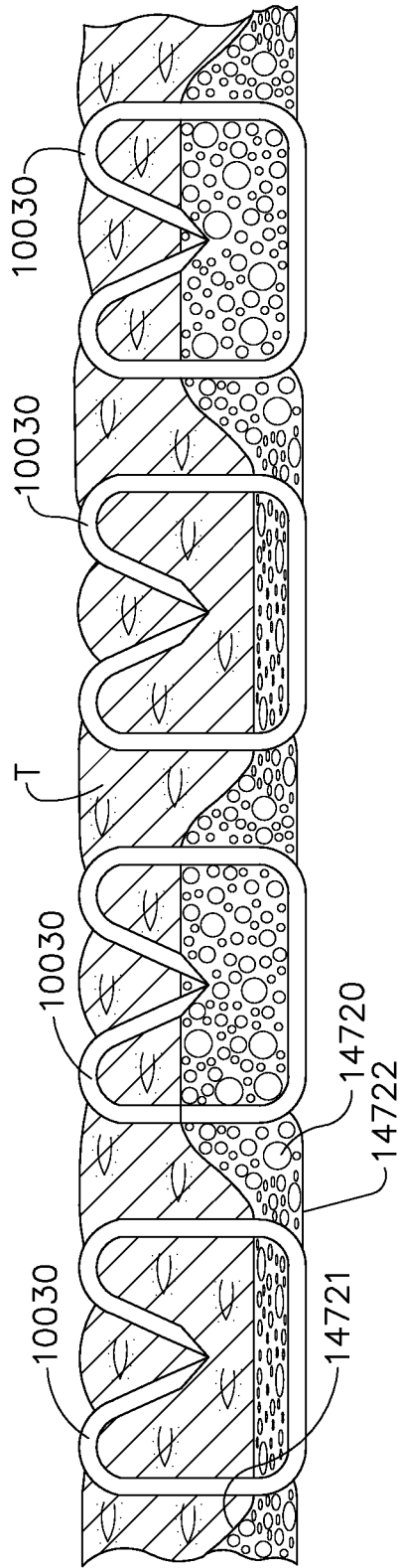


FIG. 288

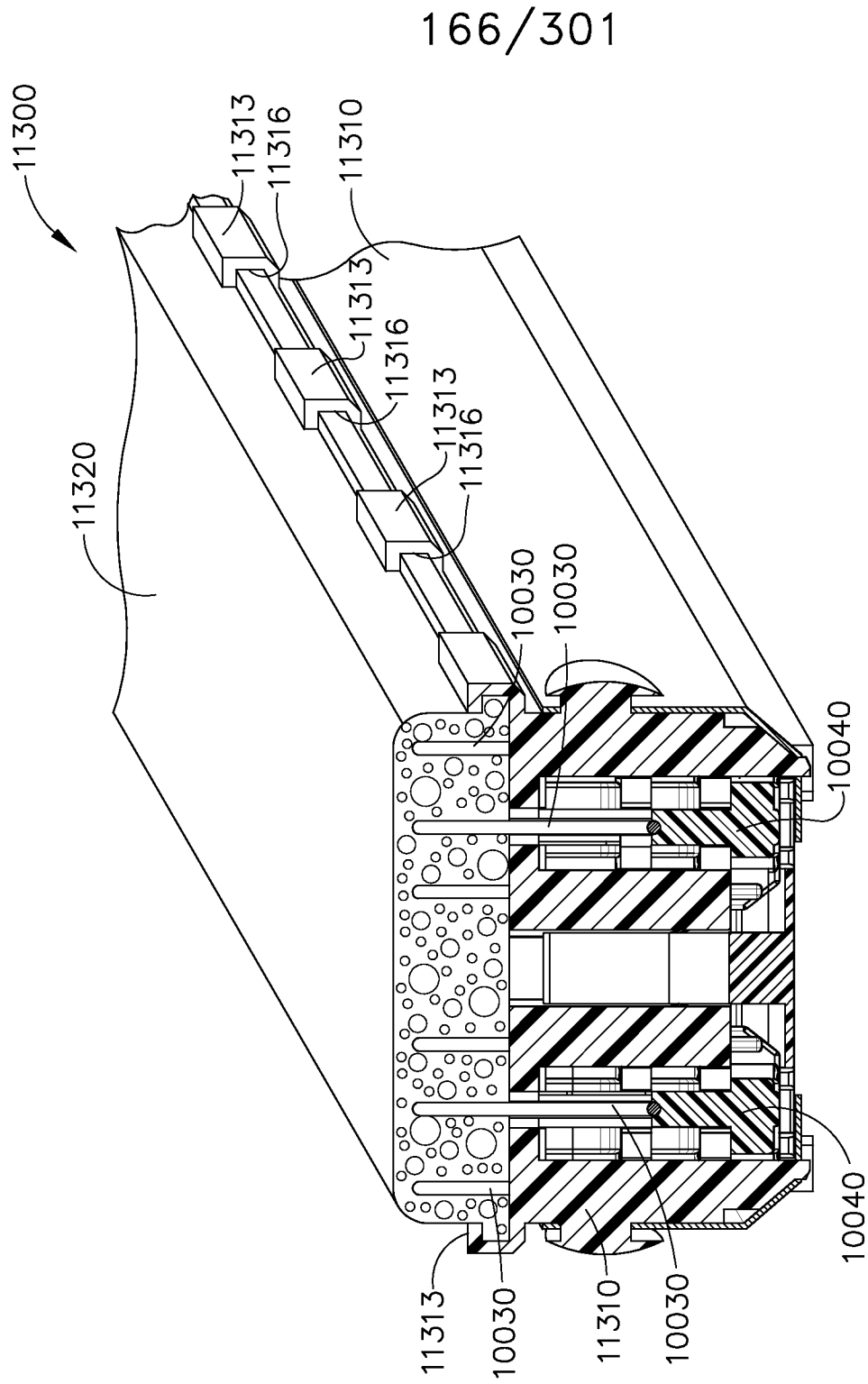


FIG. 289

167/301

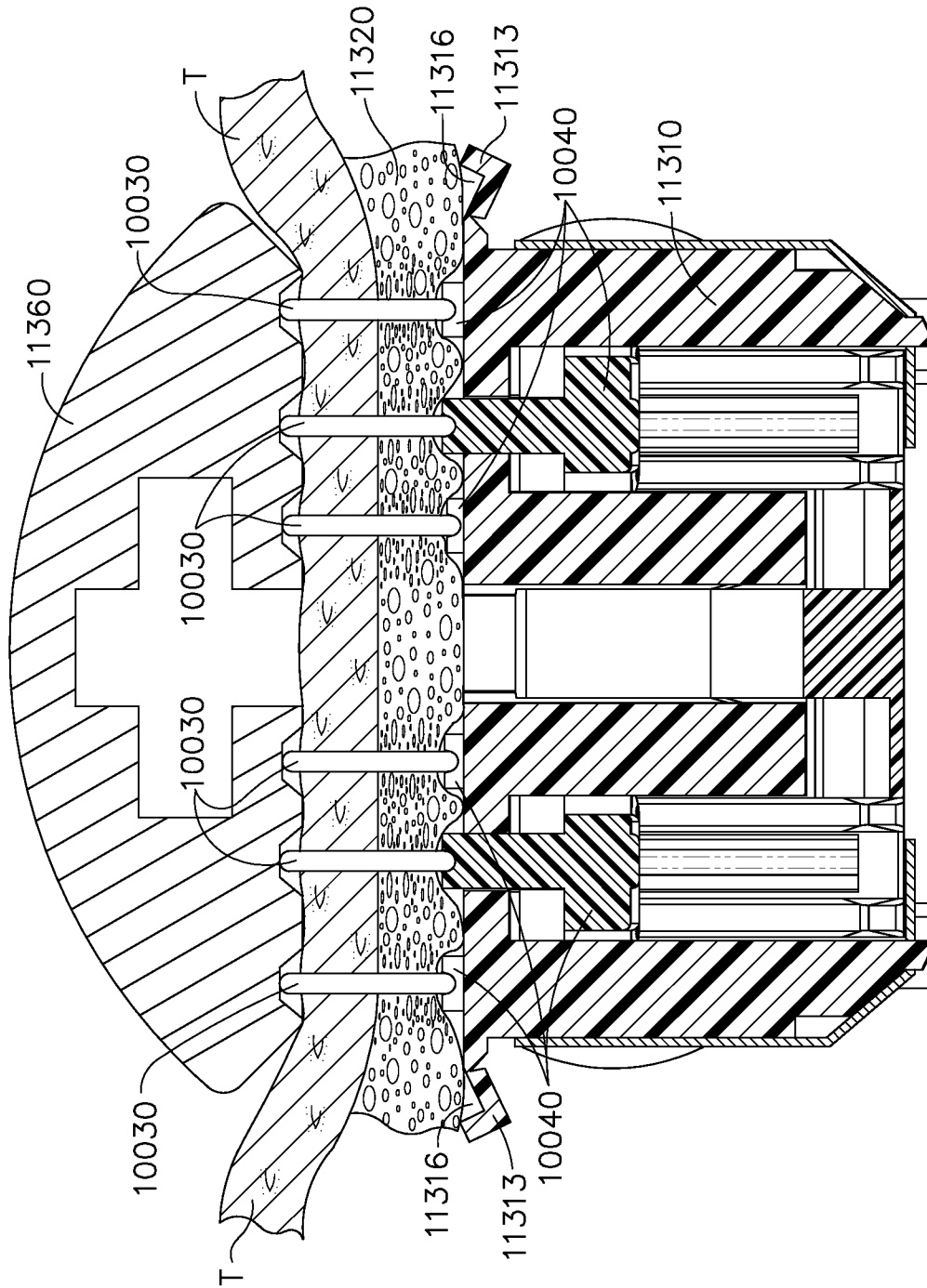


FIG. 290

168/301

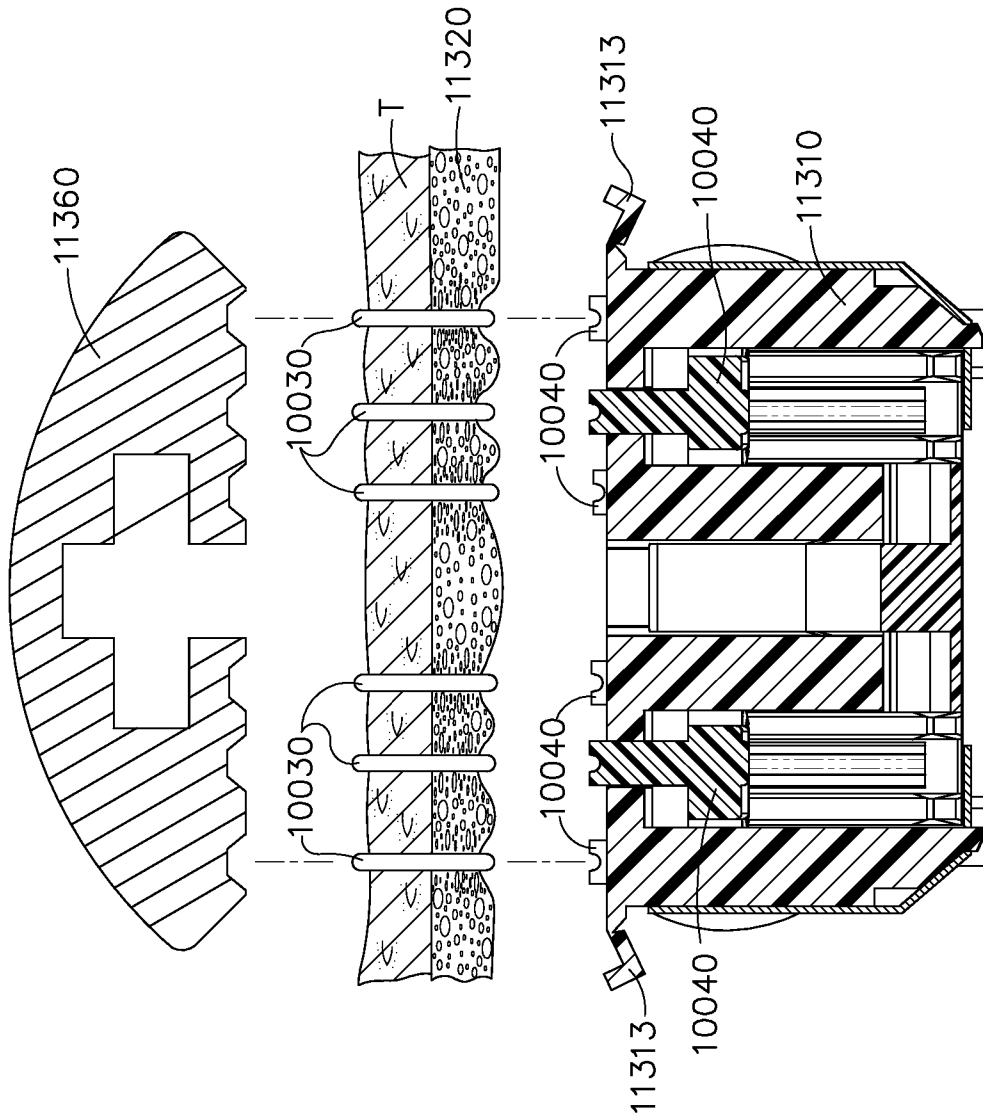


FIG. 291

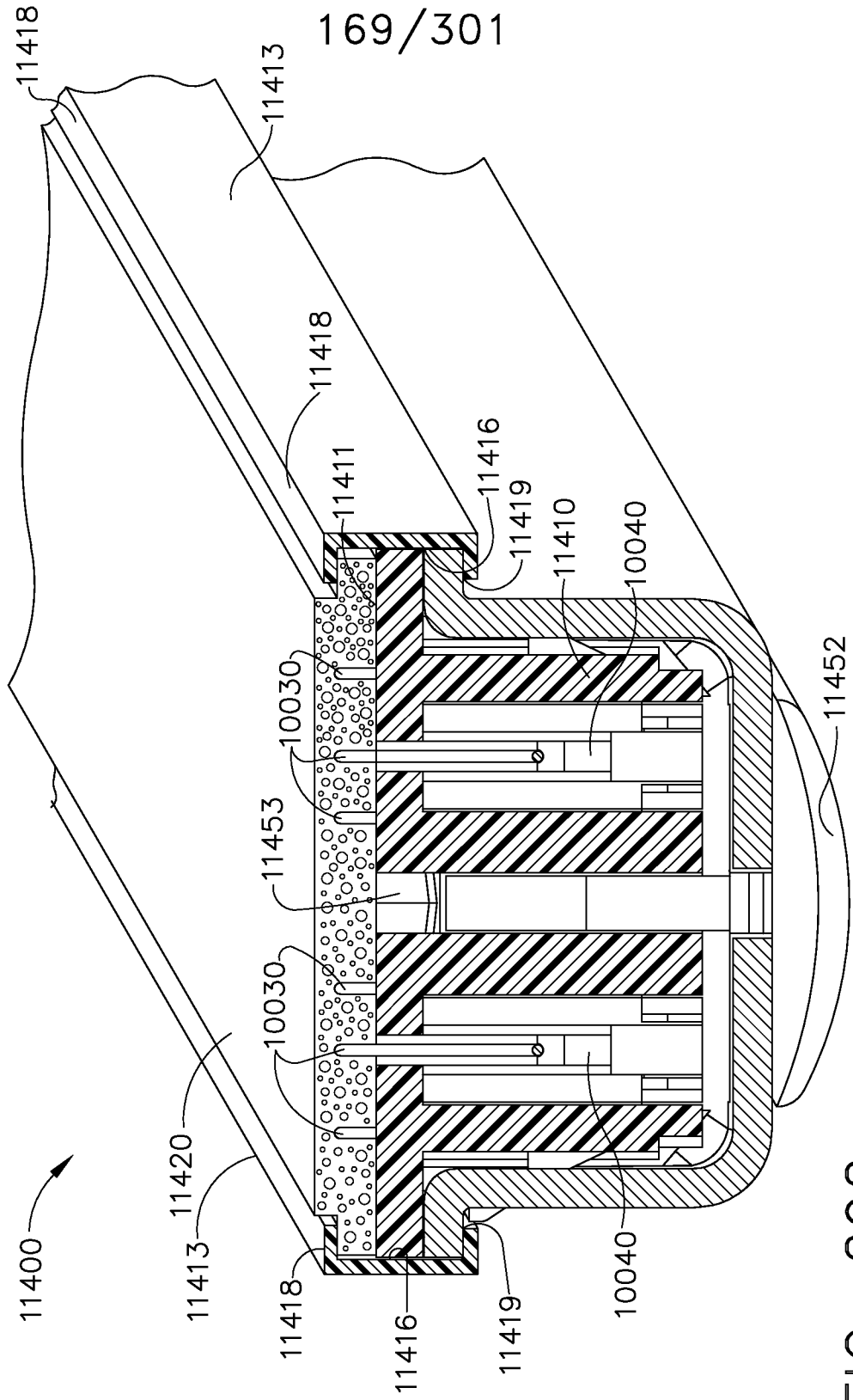


FIG. 292

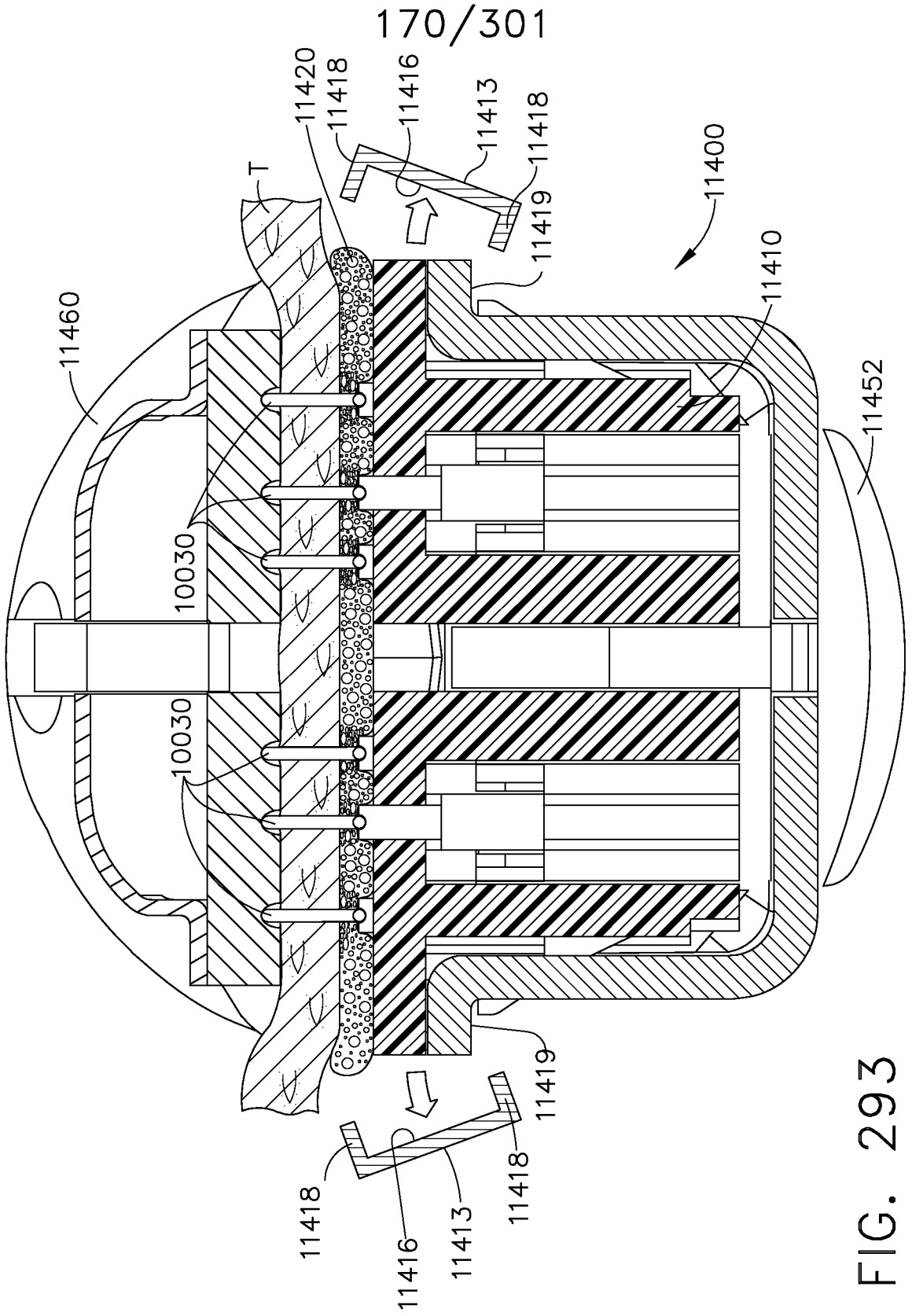


FIG. 293

171/301

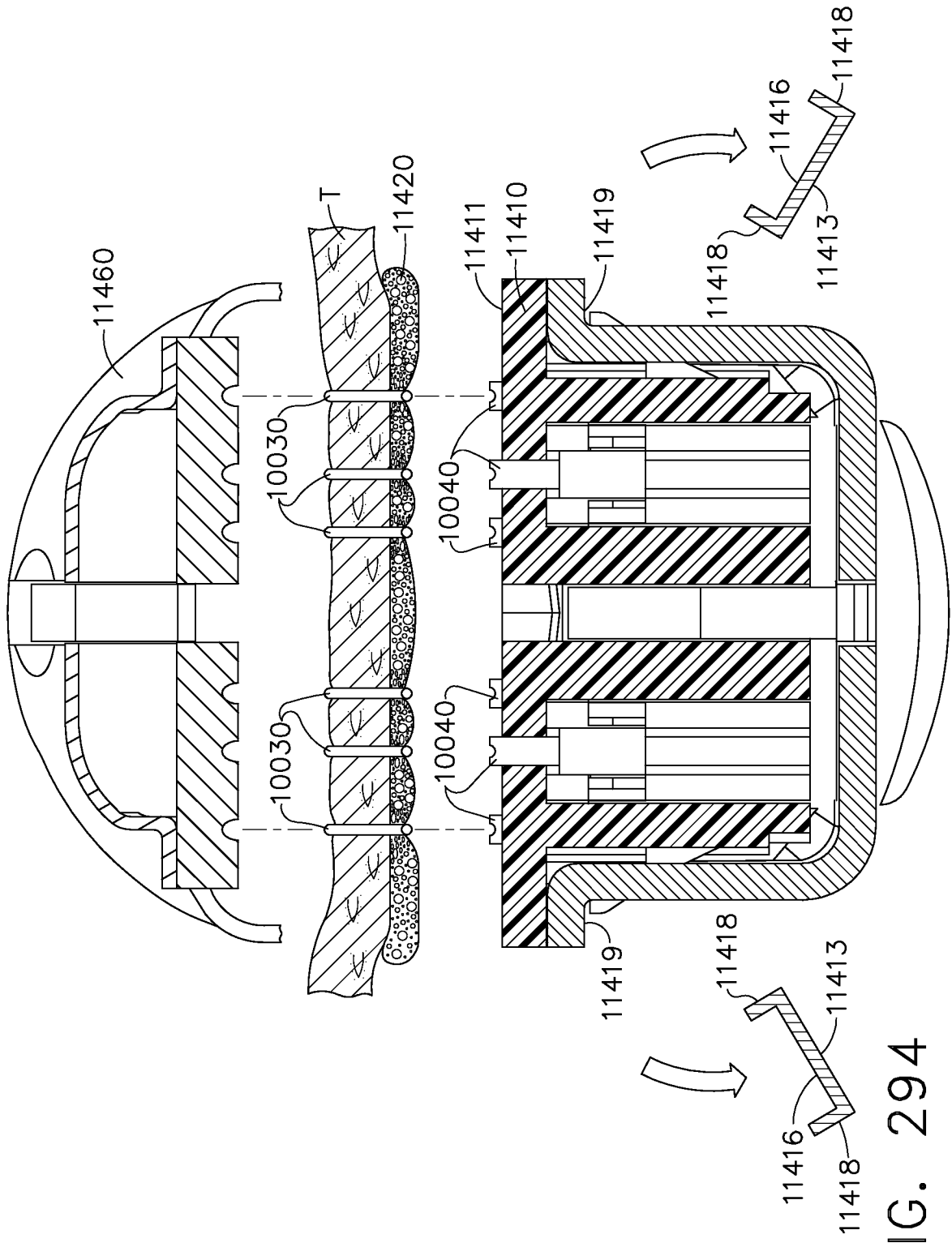


FIG. 294

172/301

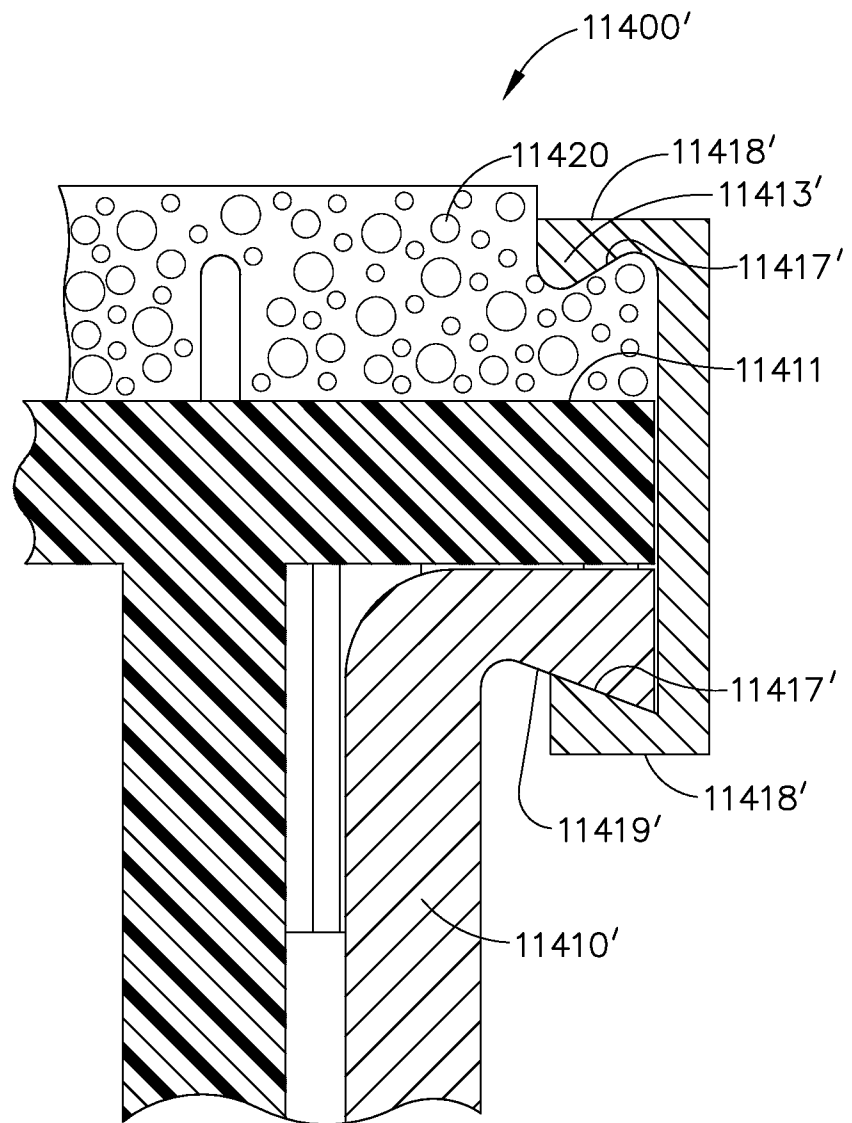


FIG. 295

173/301

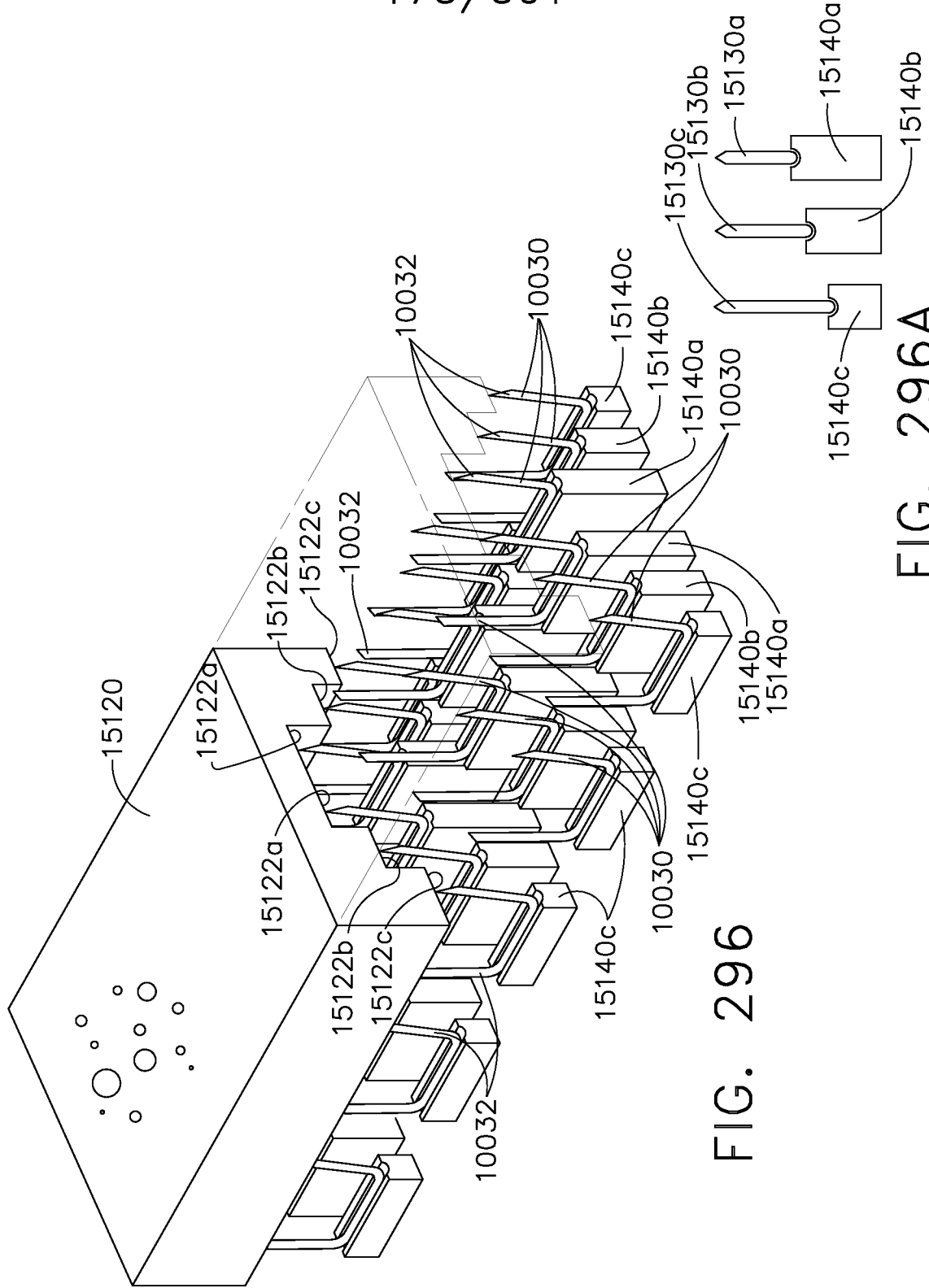


FIG. 296

FIG. 296A

174/301

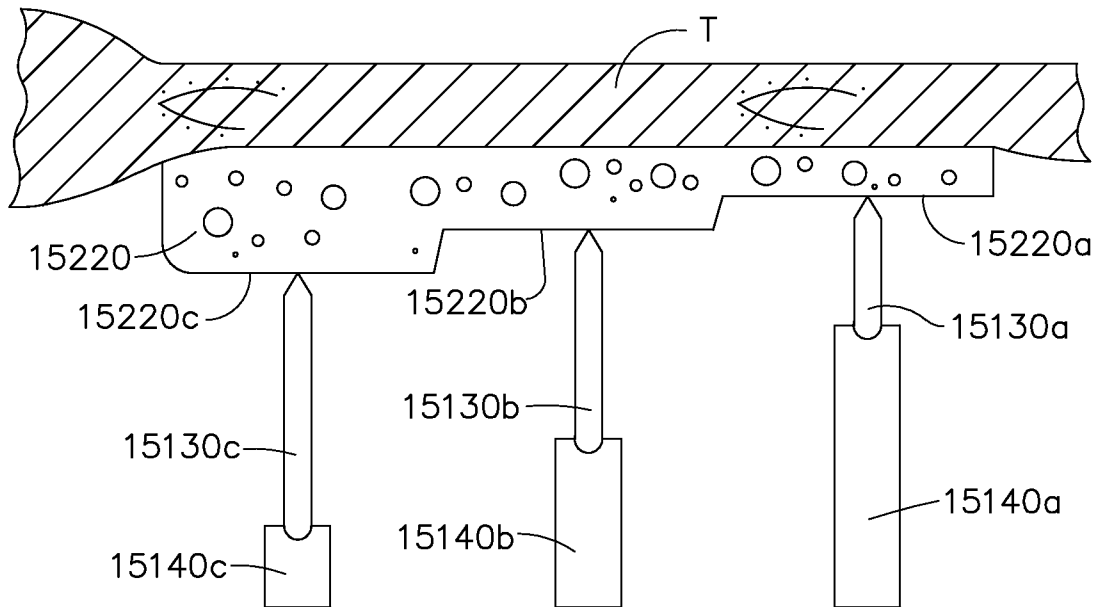


FIG. 297

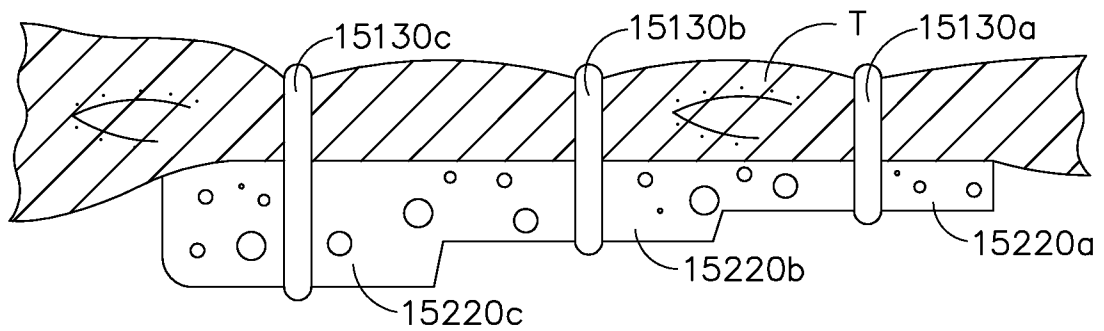


FIG. 298

175/301

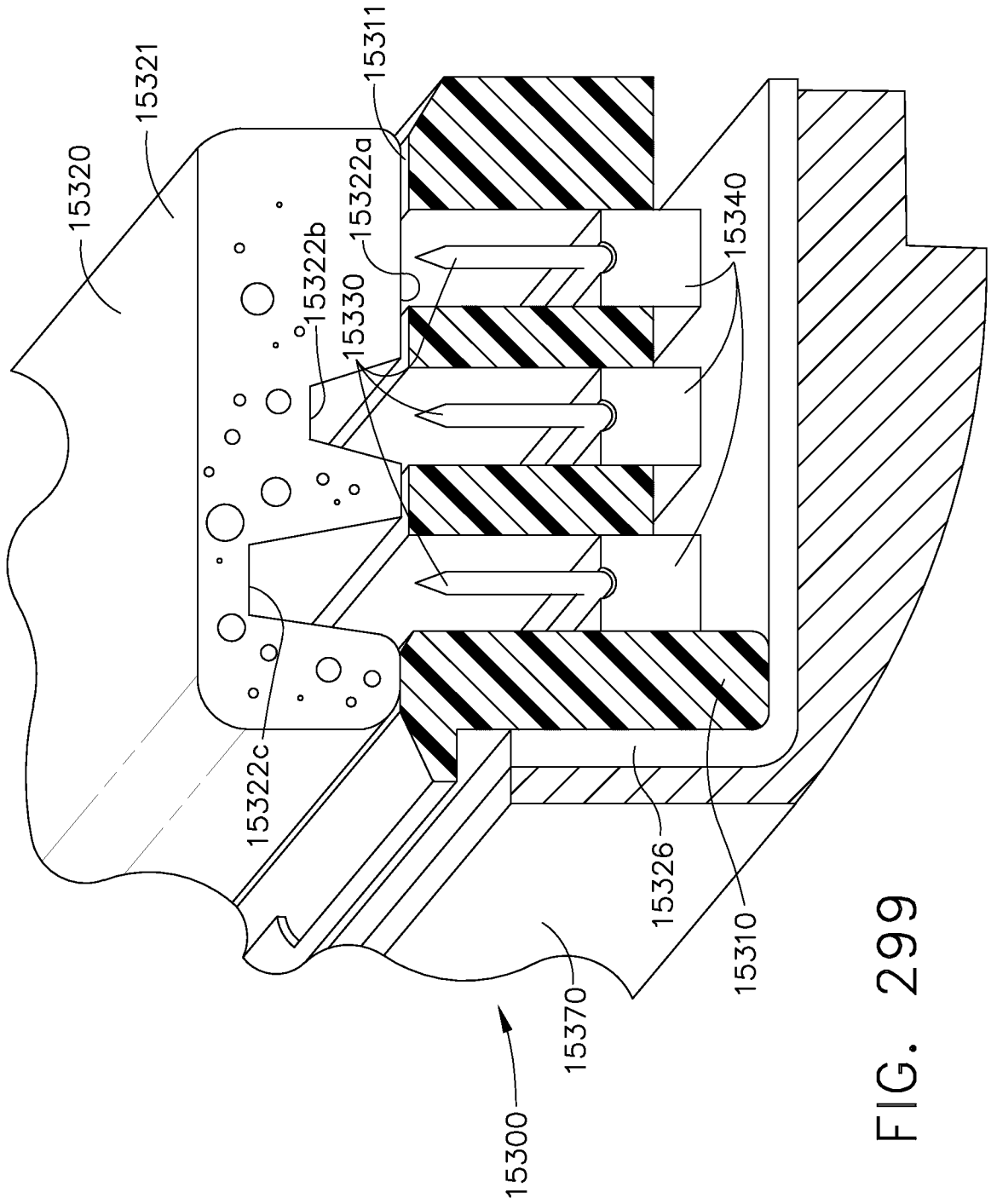


FIG. 299

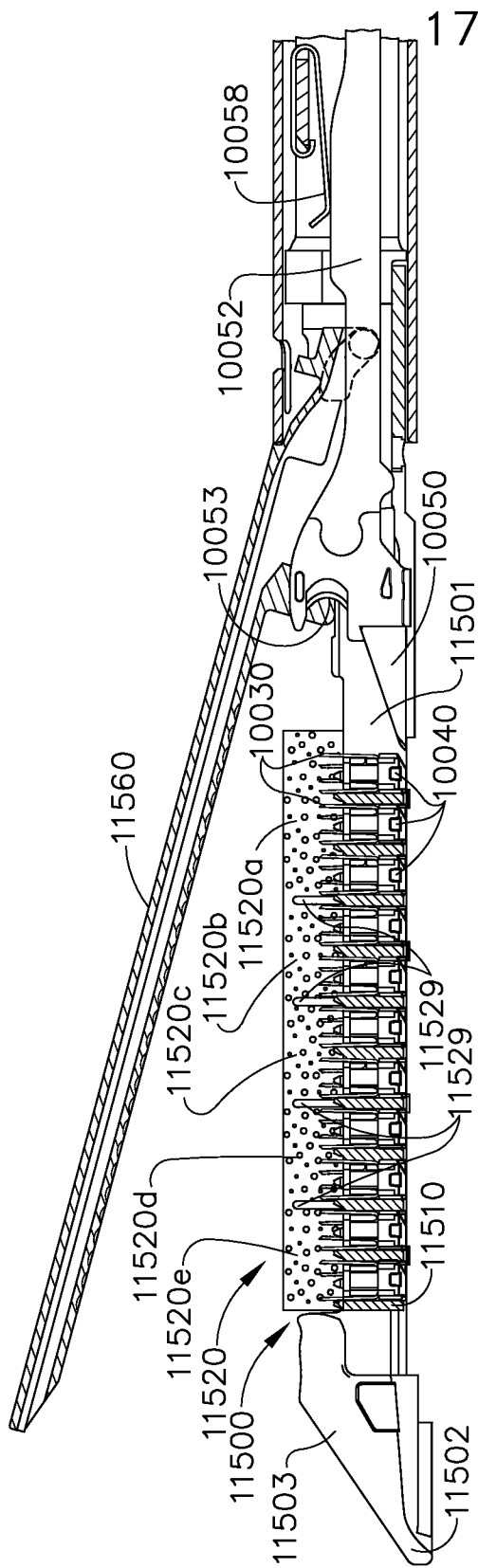


FIG. 300

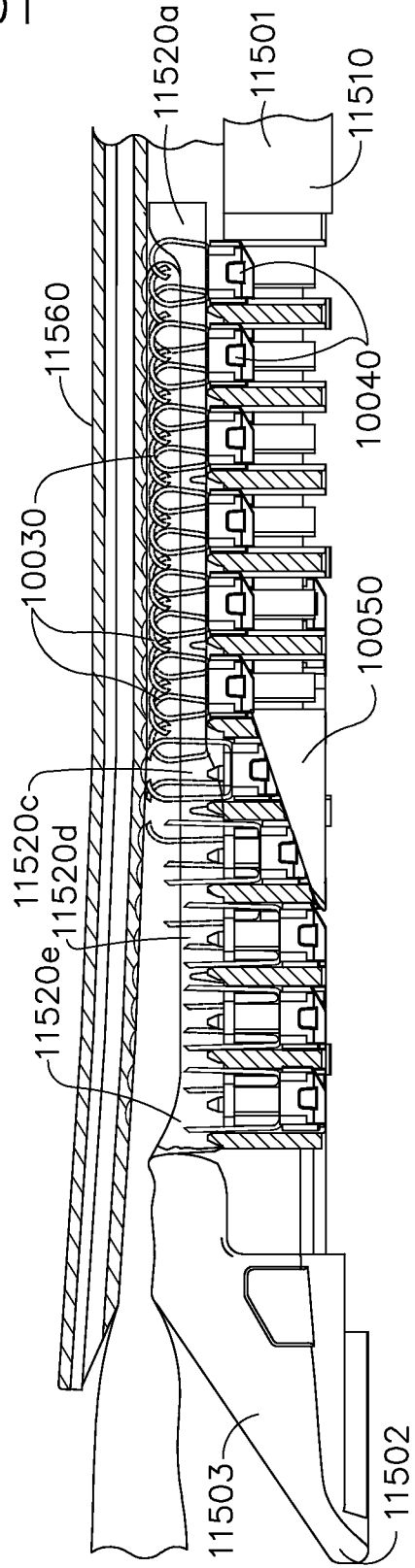


FIG. 301

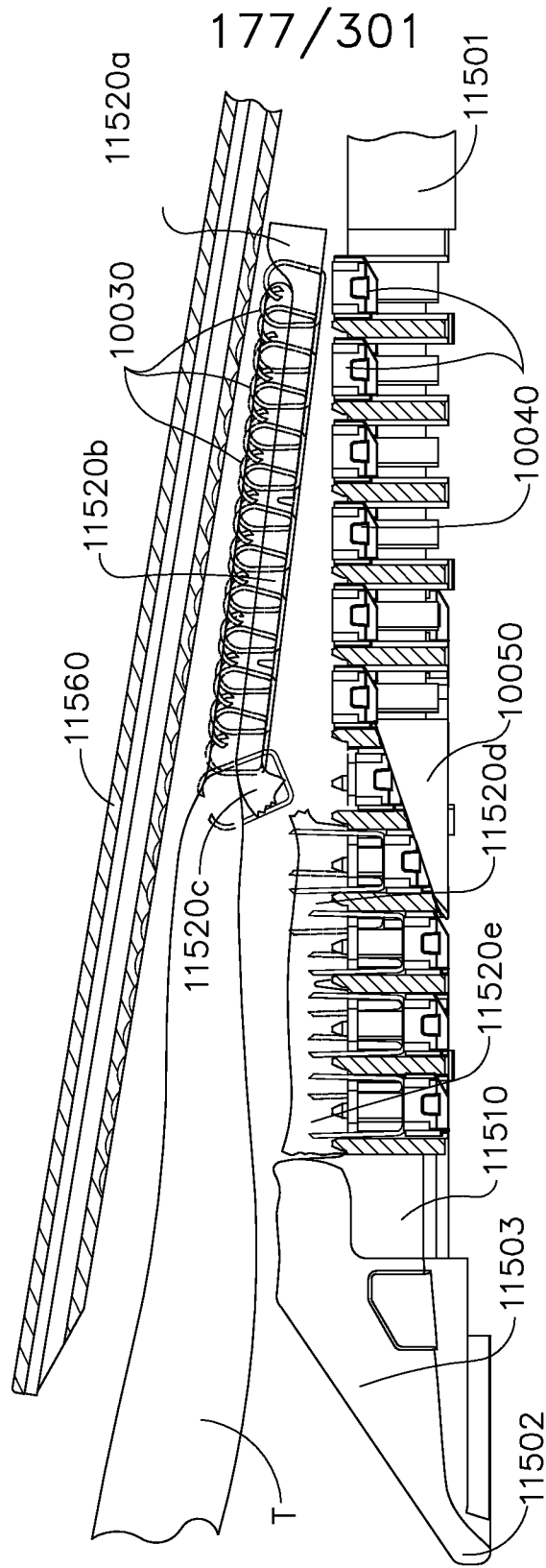


FIG. 302

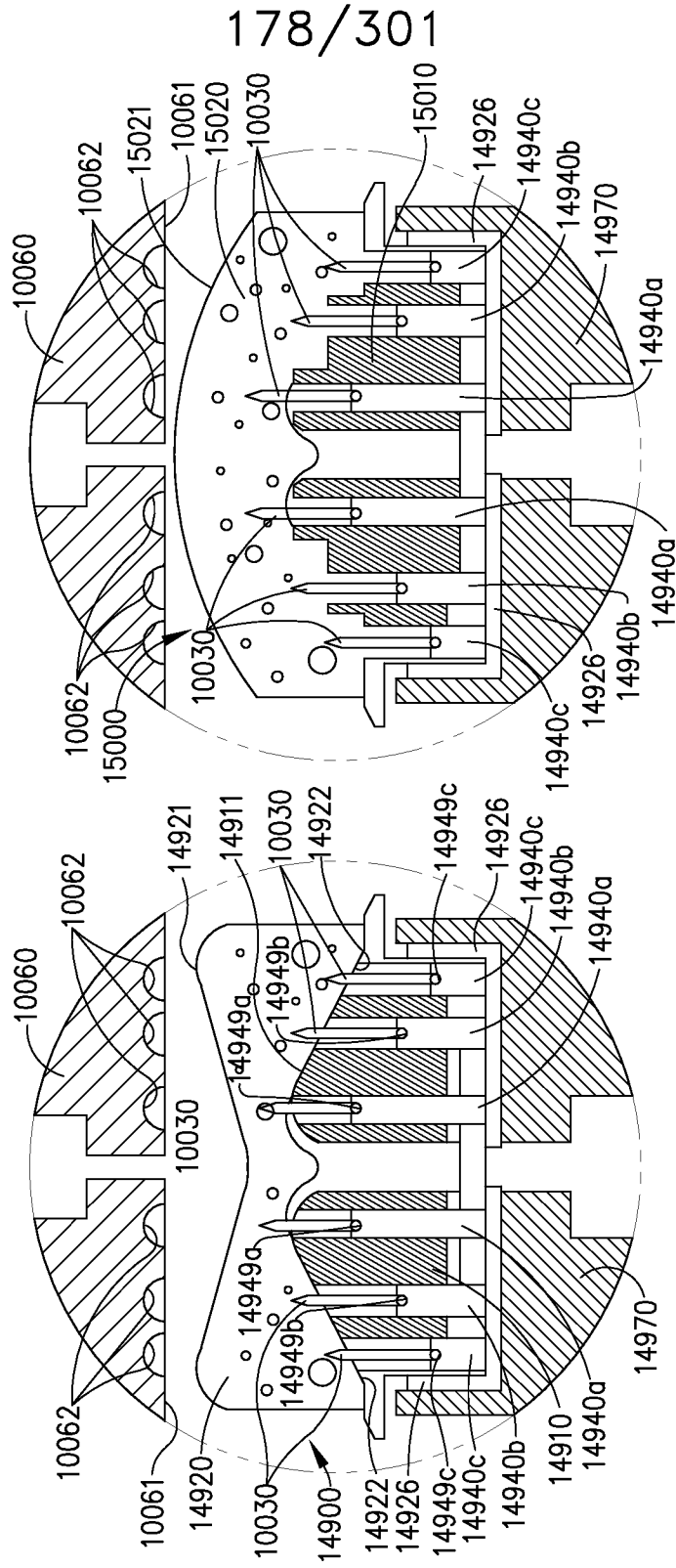


FIG. 304

FIG. 303

179/301

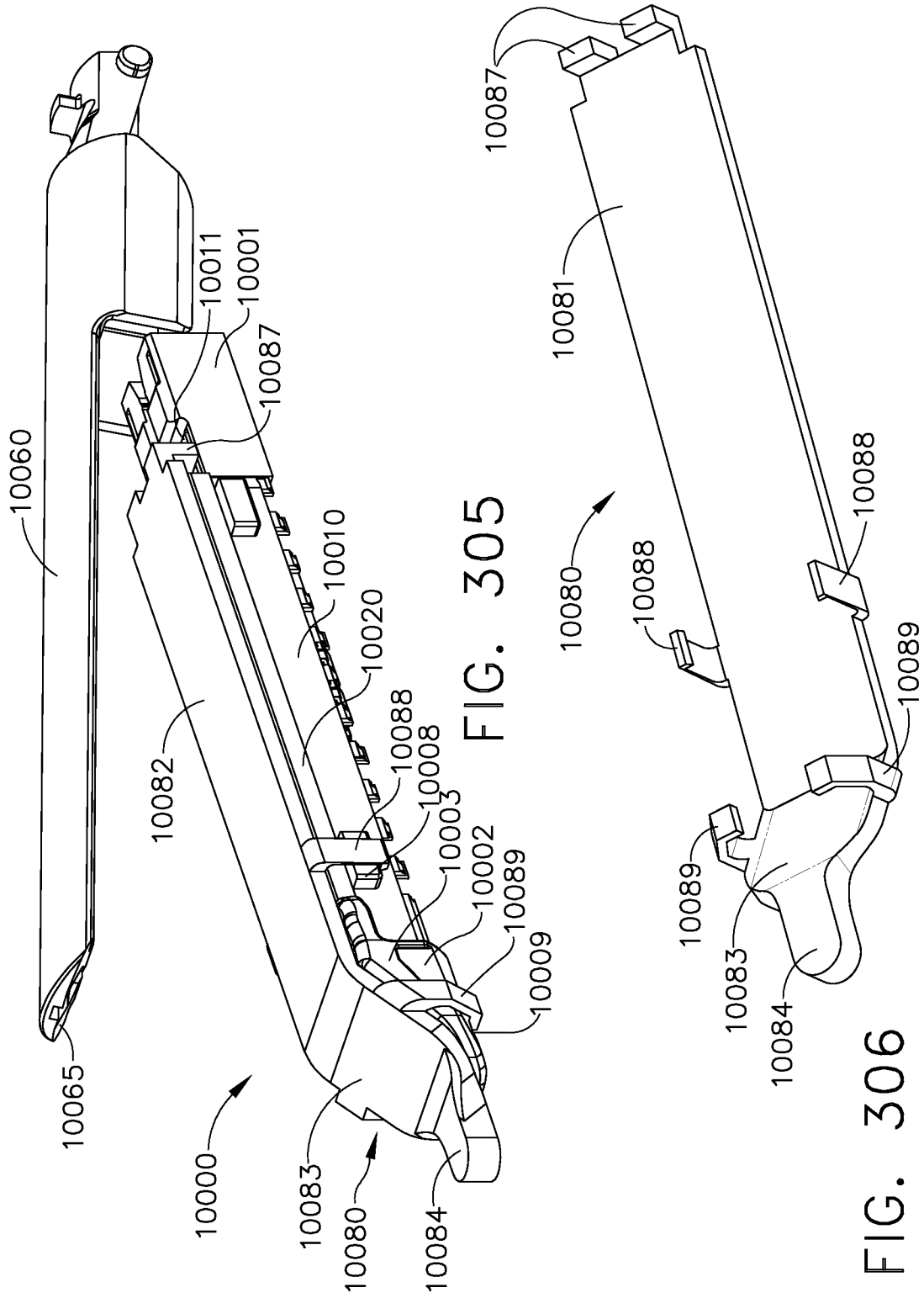


FIG. 305

FIG. 306

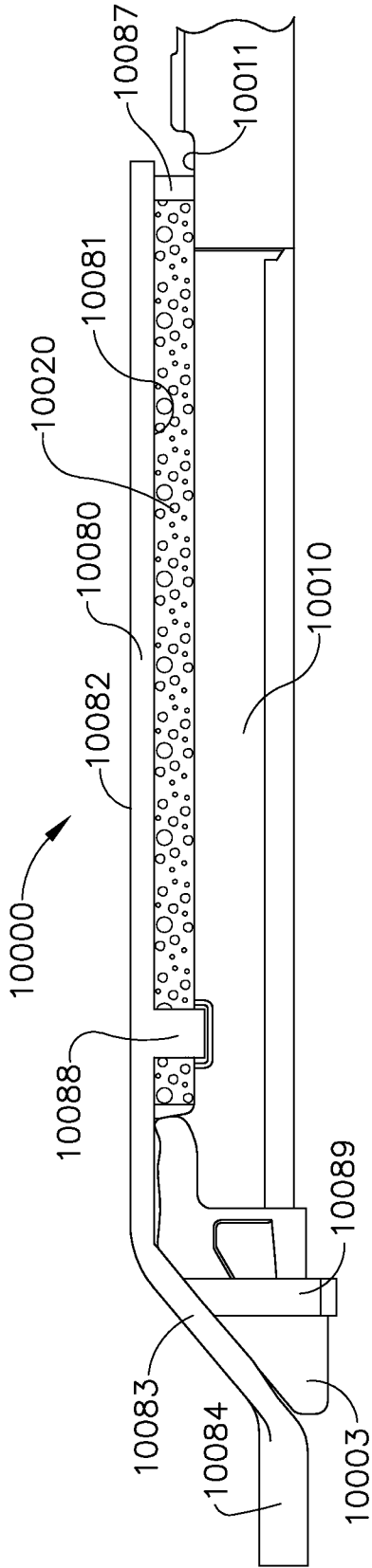


FIG. 307

180/301

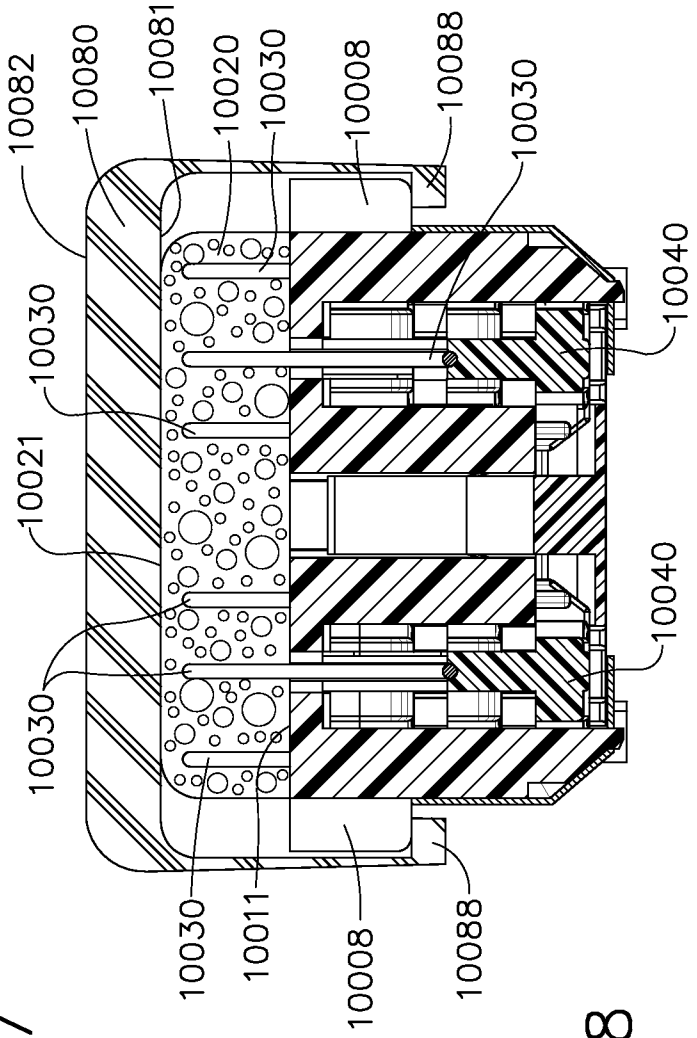


FIG. 308

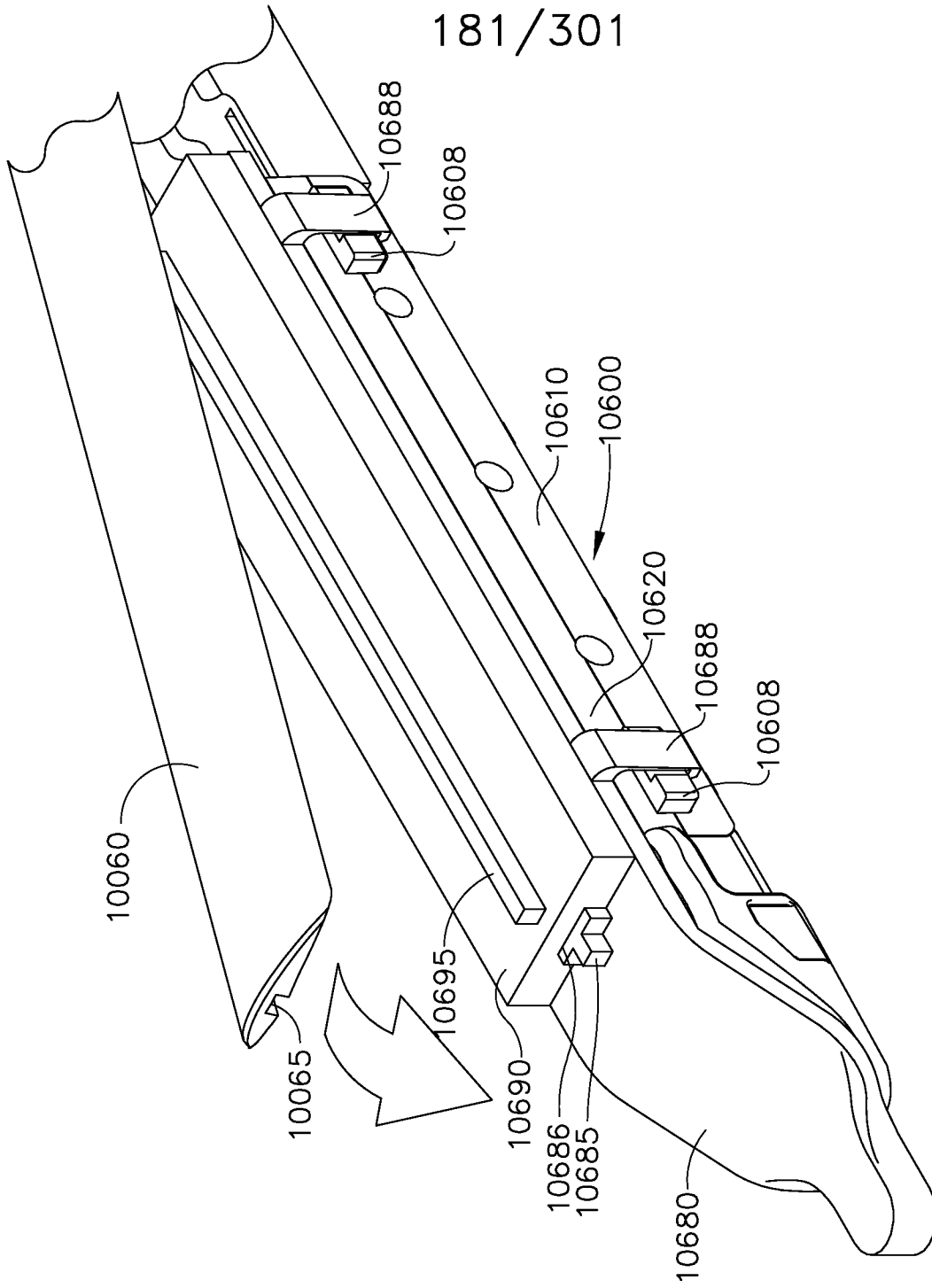


FIG. 309

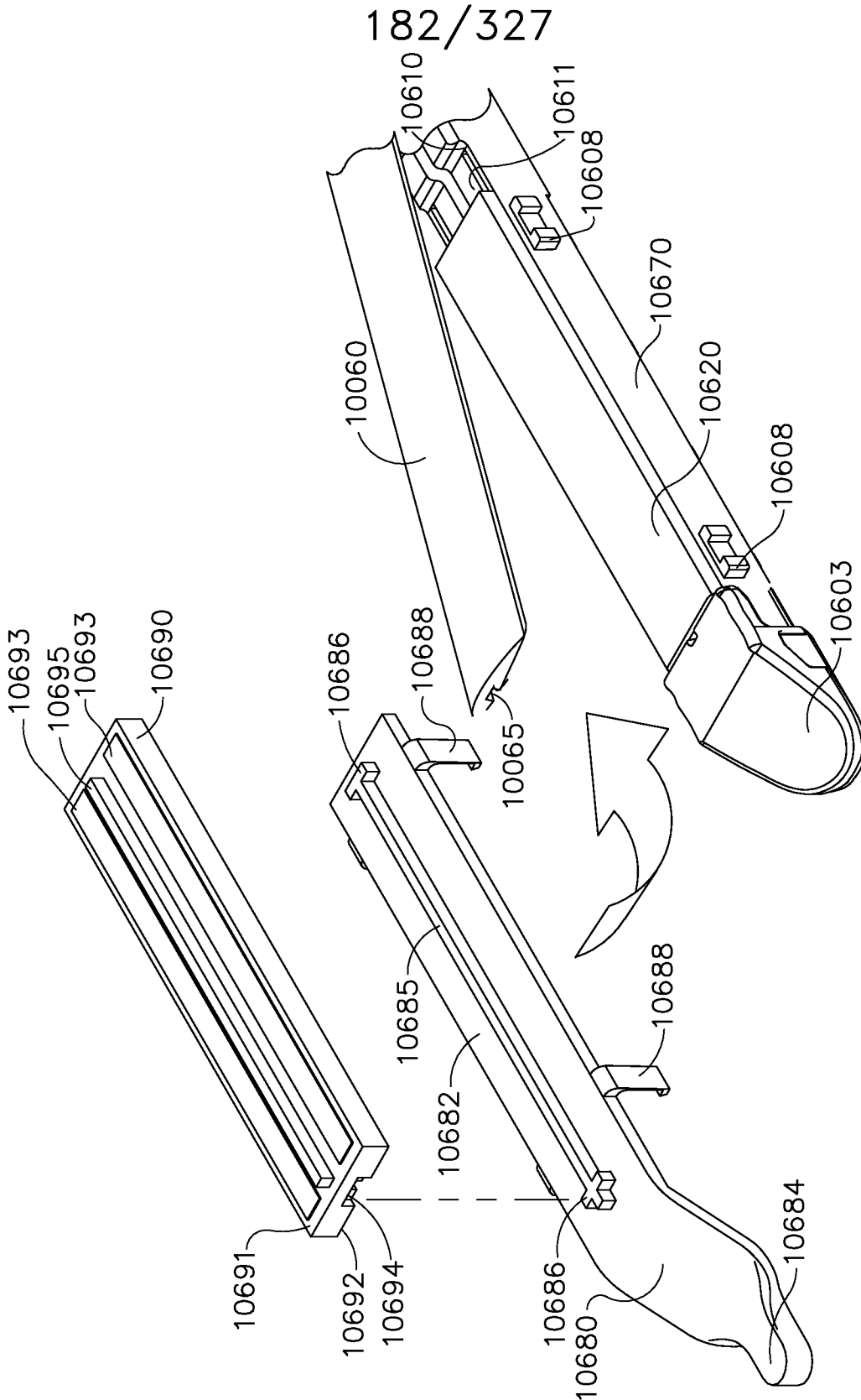


FIG. 310

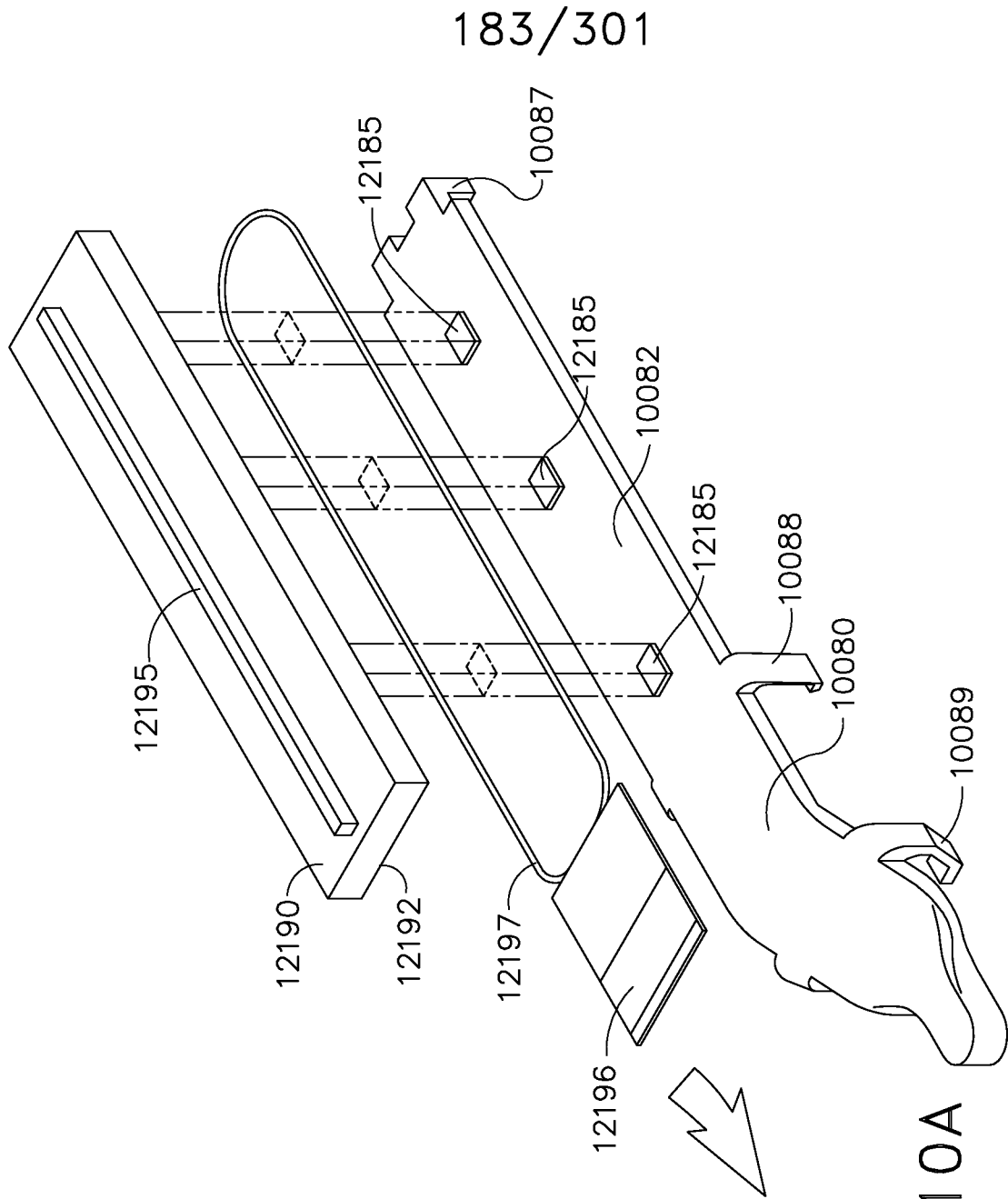


FIG. 310A

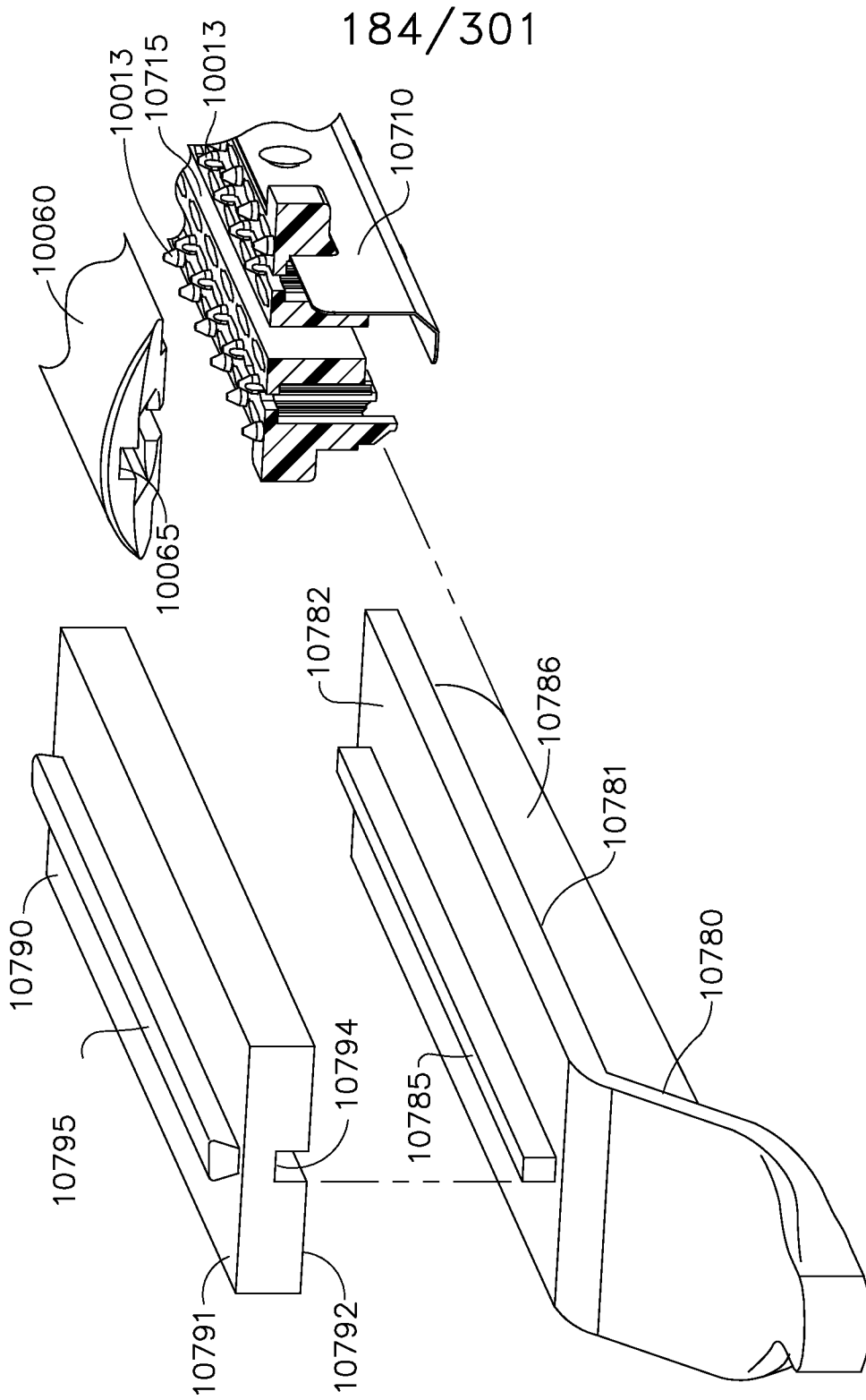


FIG. 311

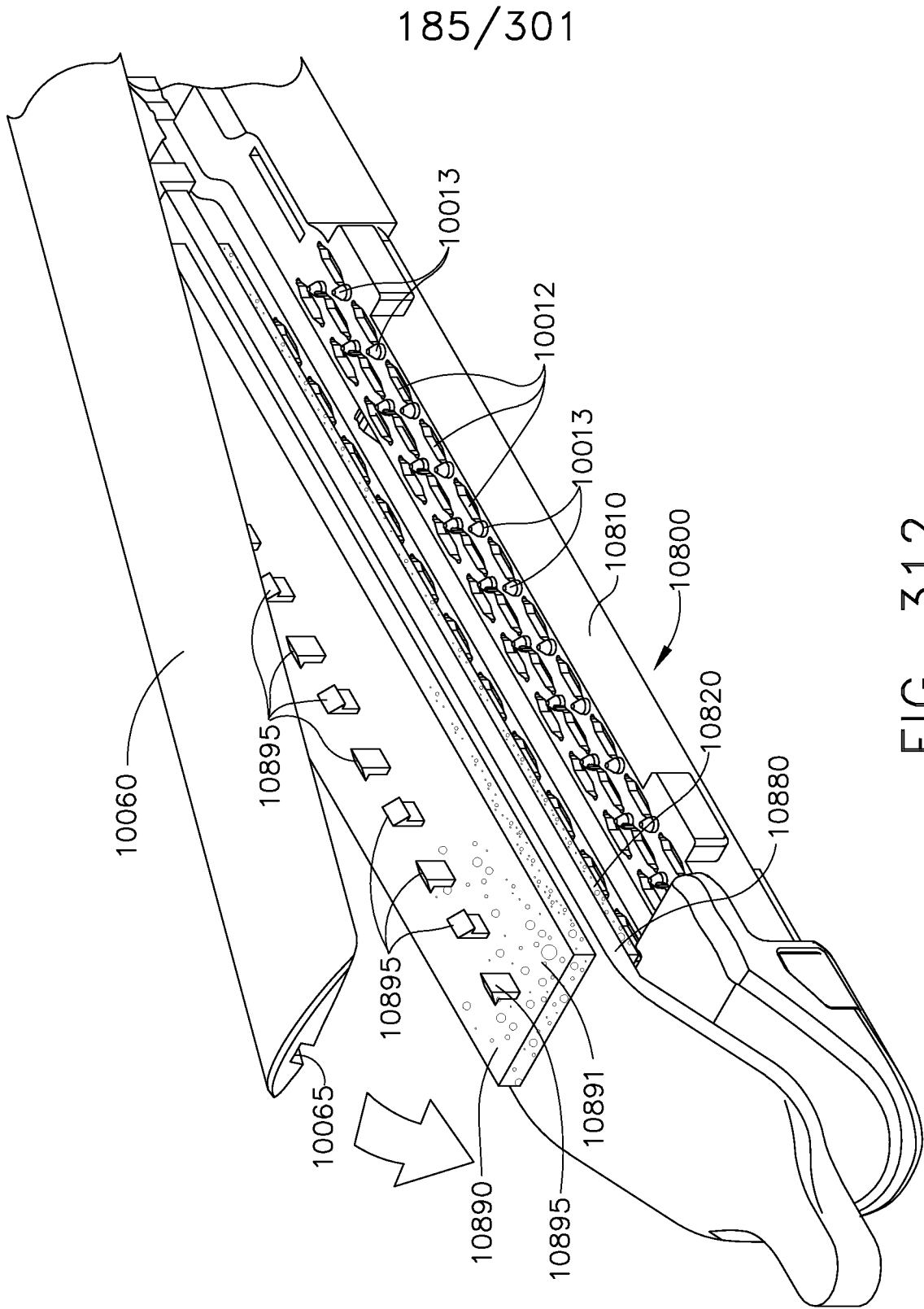


FIG. 312

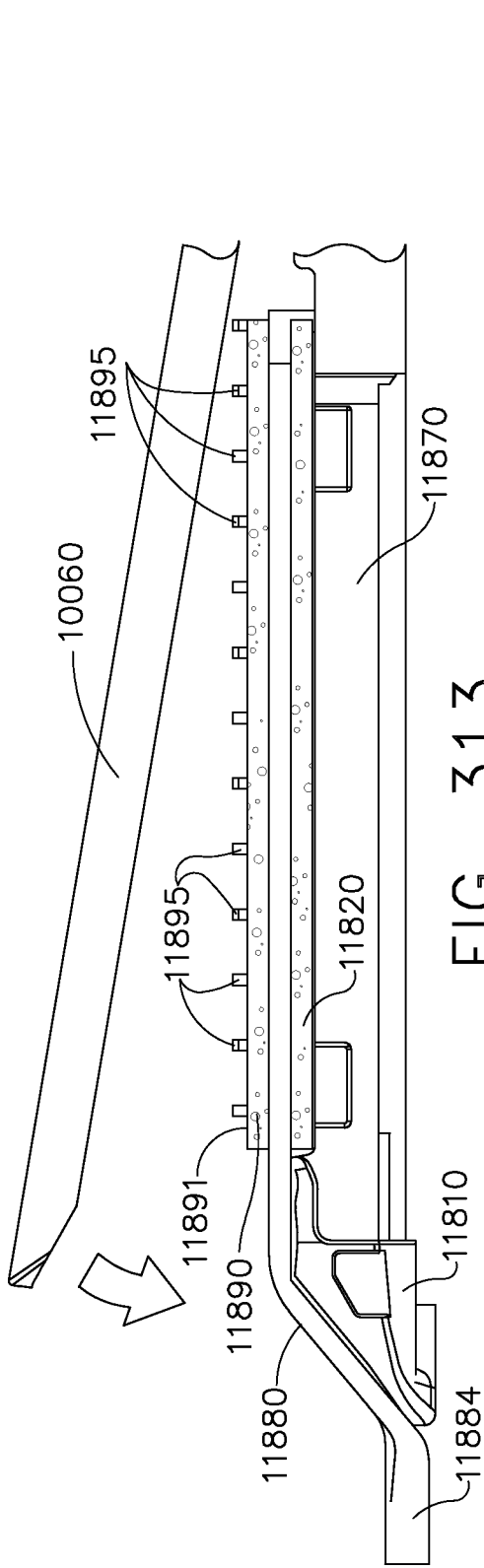


FIG. 313

186/301

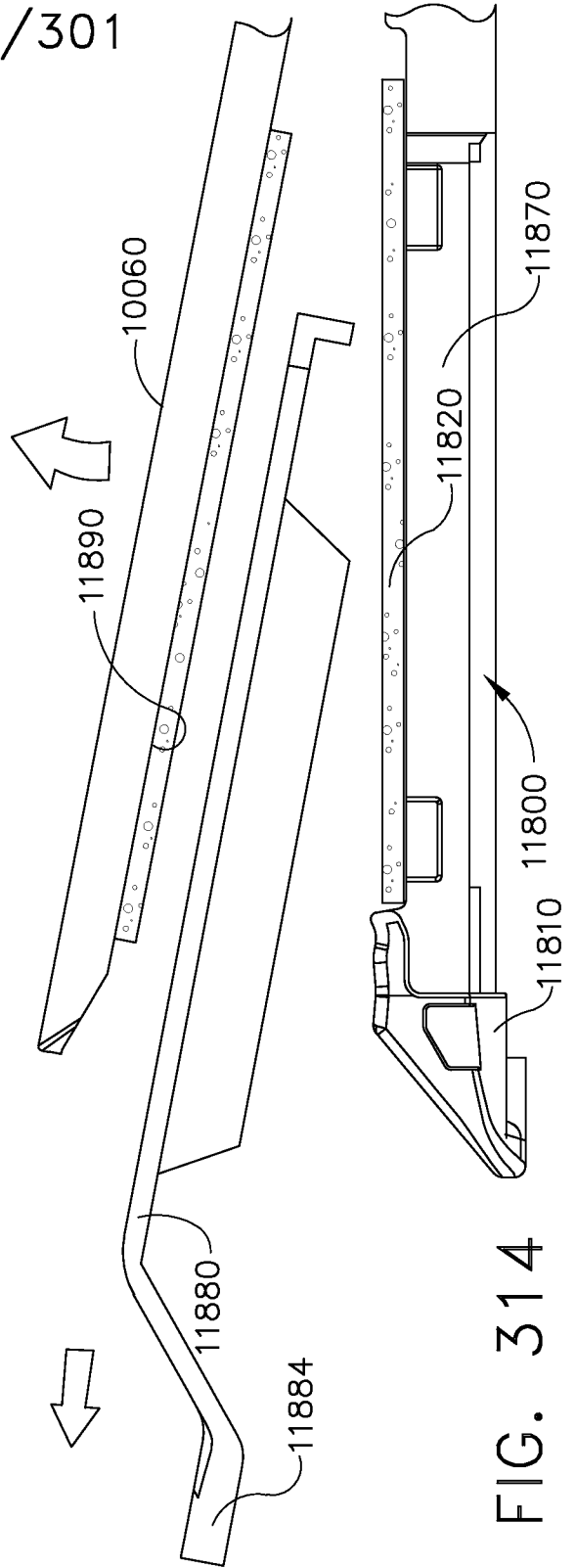


FIG. 314

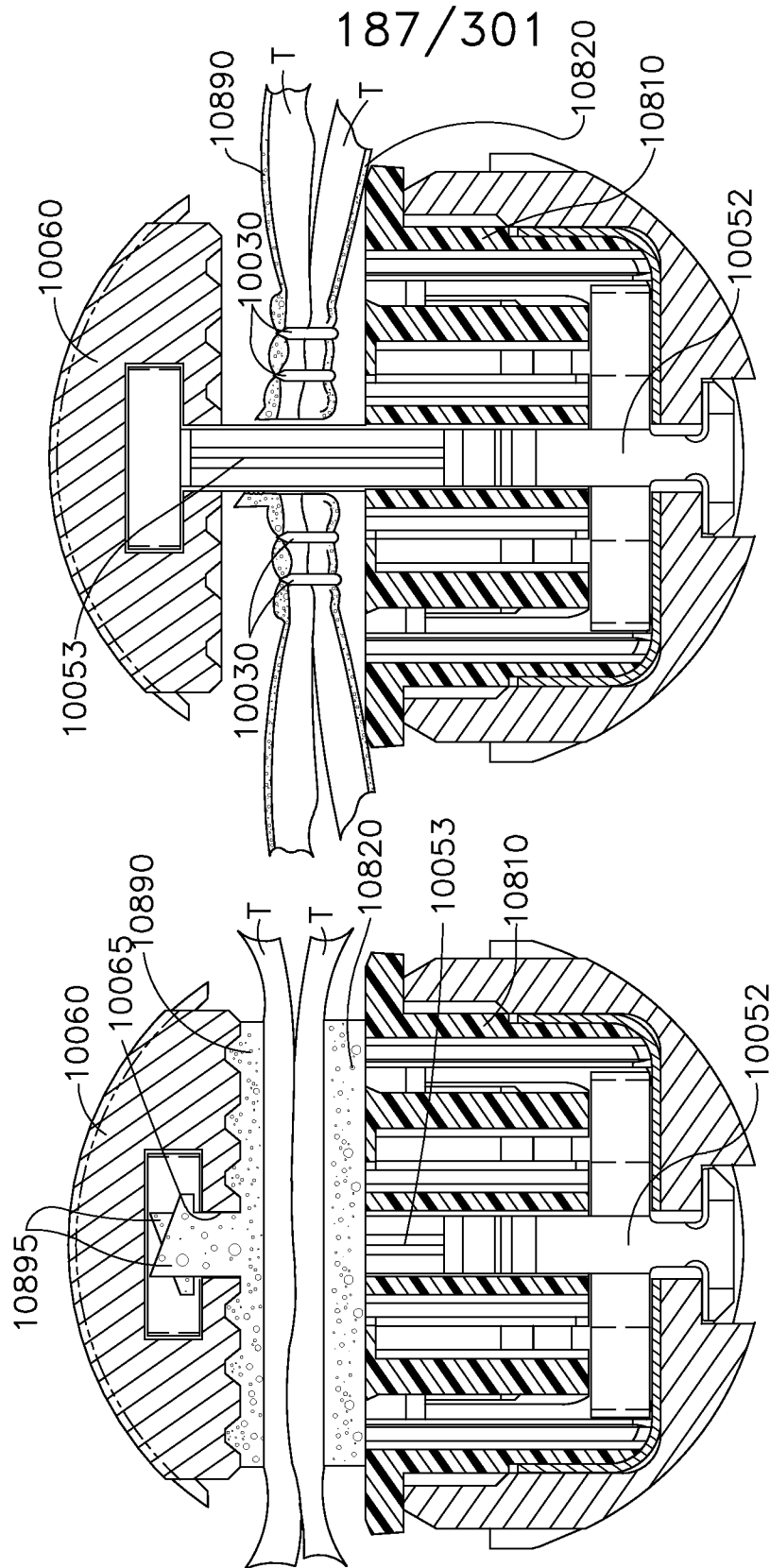


FIG. 314B

FIG. 314A

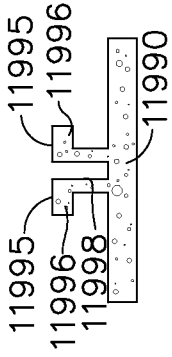


FIG. 316

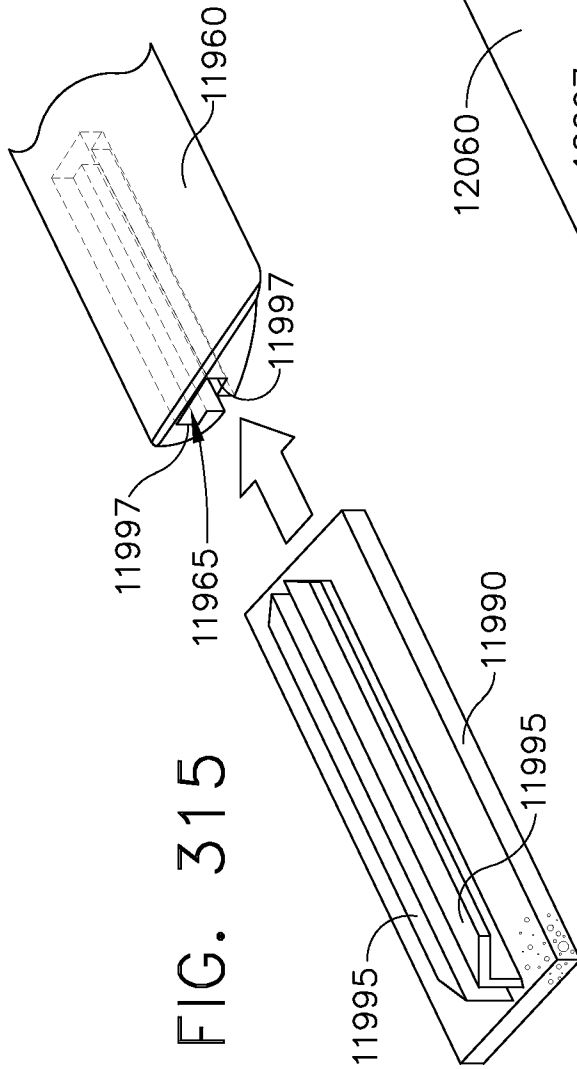


FIG. 315

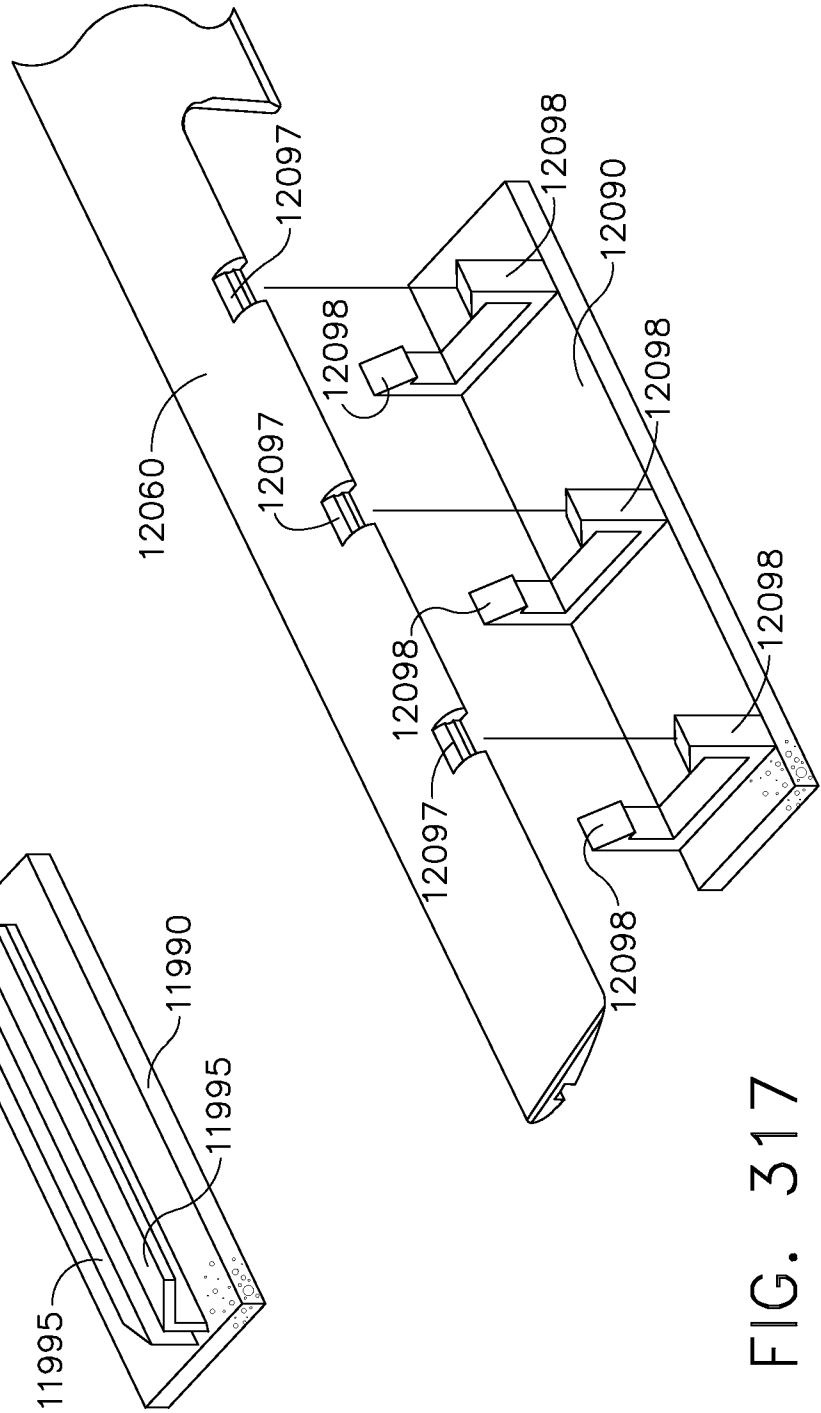


FIG. 317

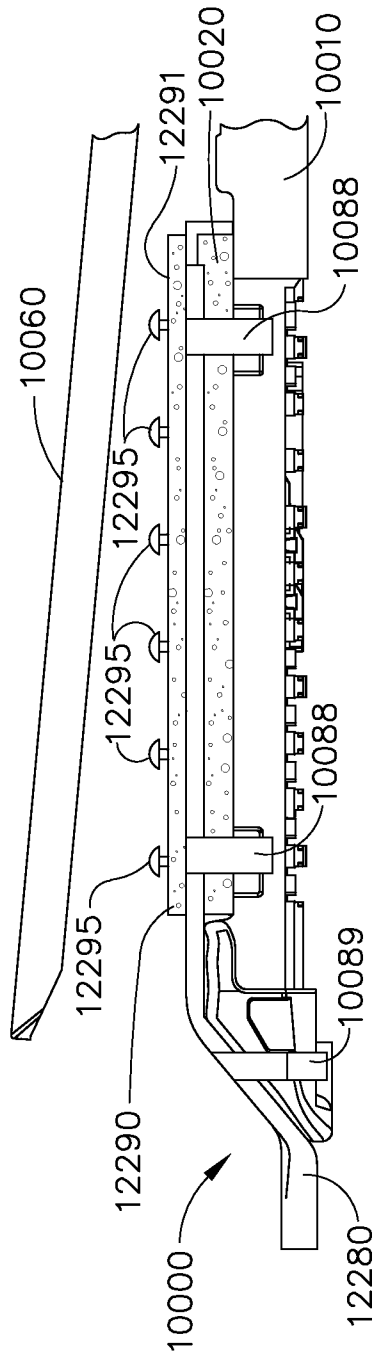


FIG. 319

190/301

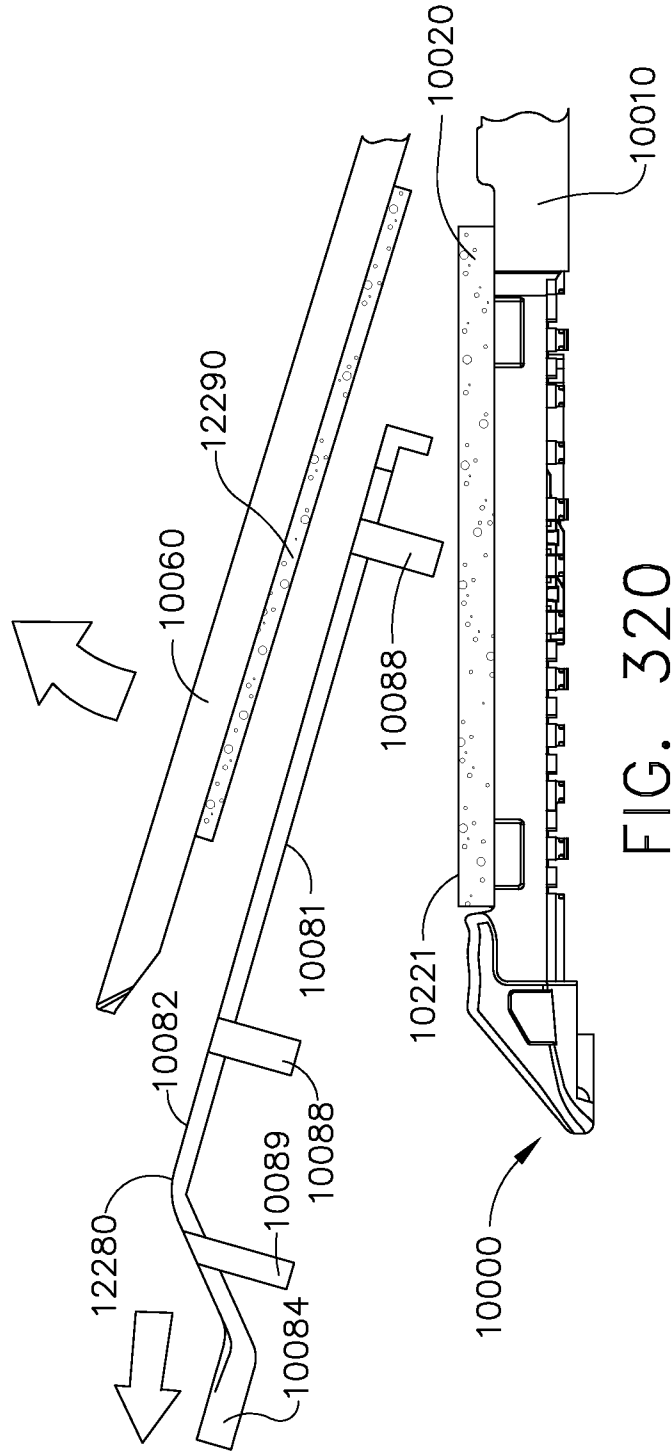


FIG. 320

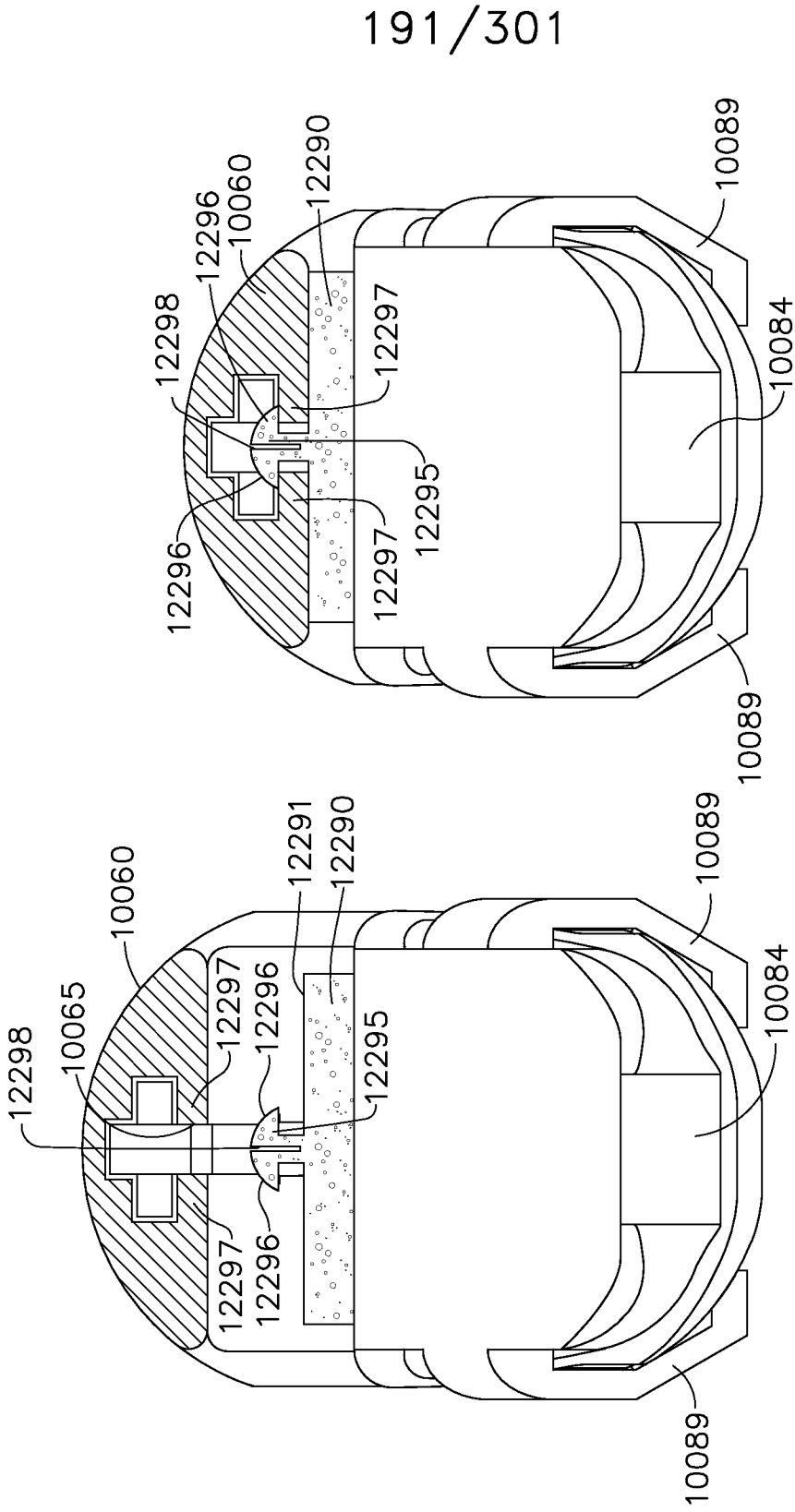


FIG. 321

FIG. 322

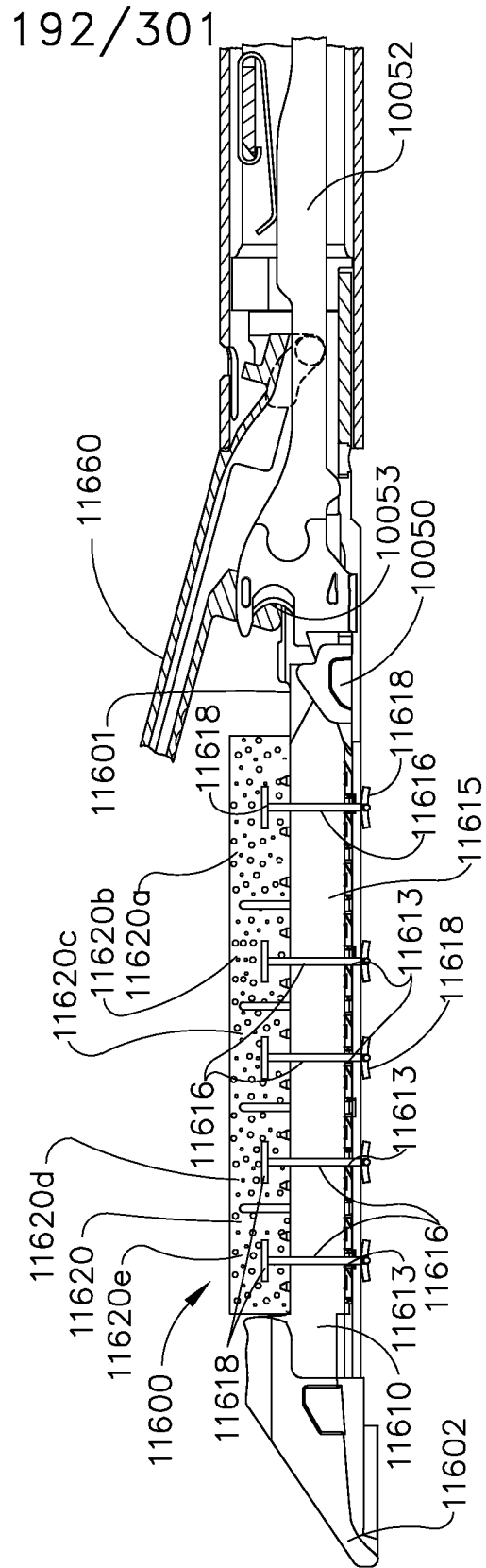
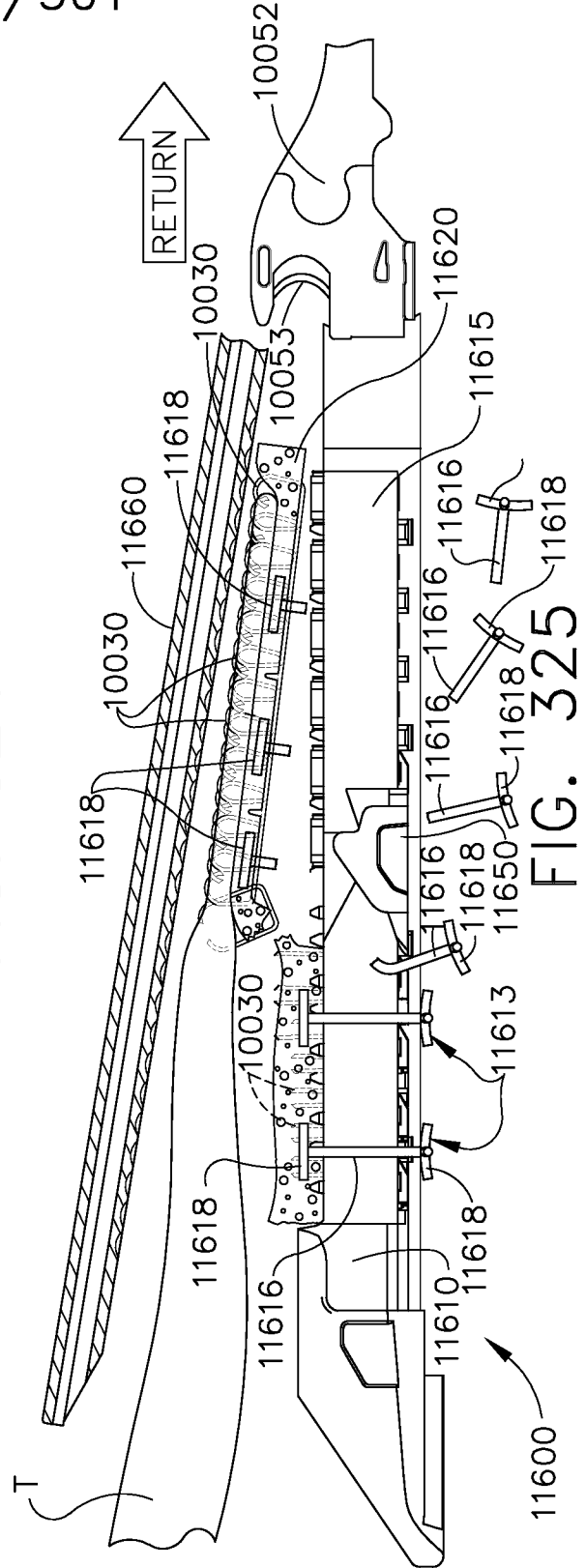
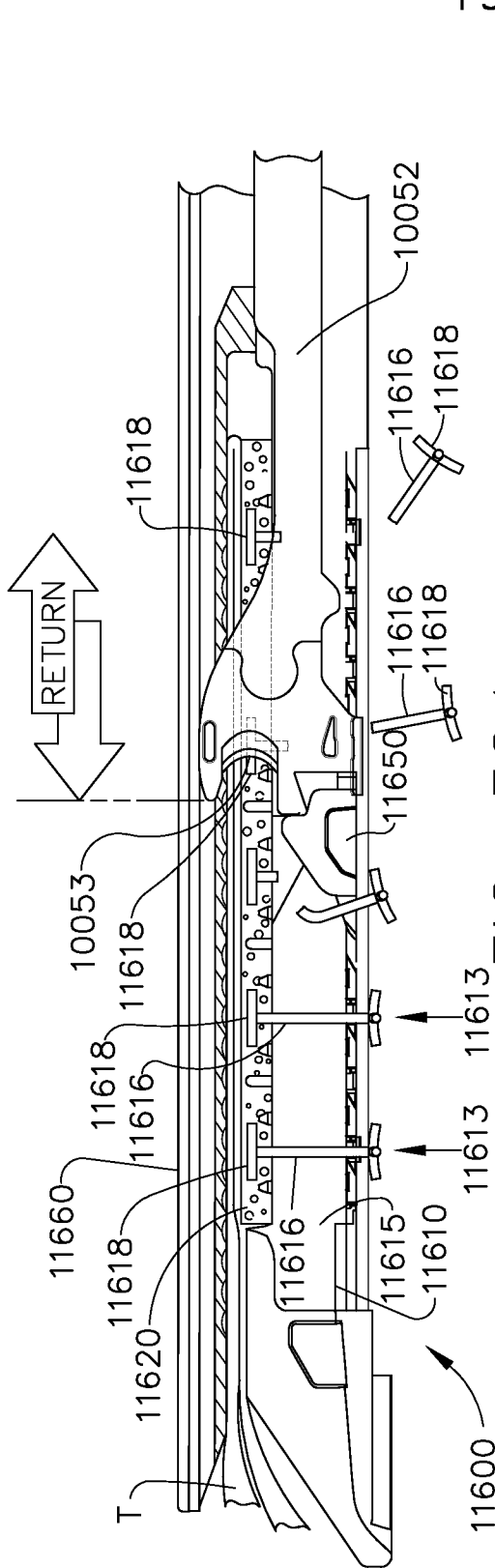


FIG. 323

193/301



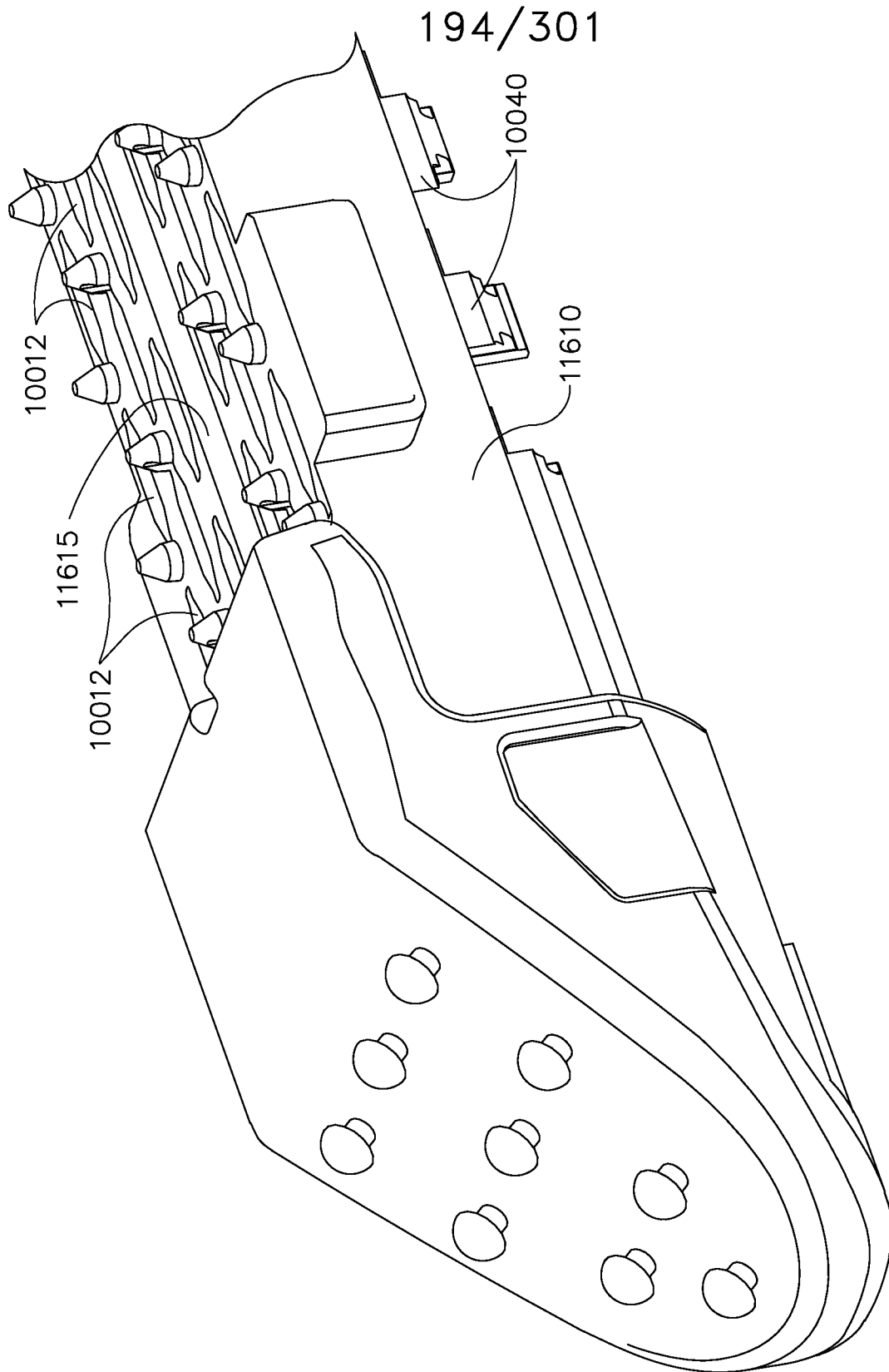


FIG. 326

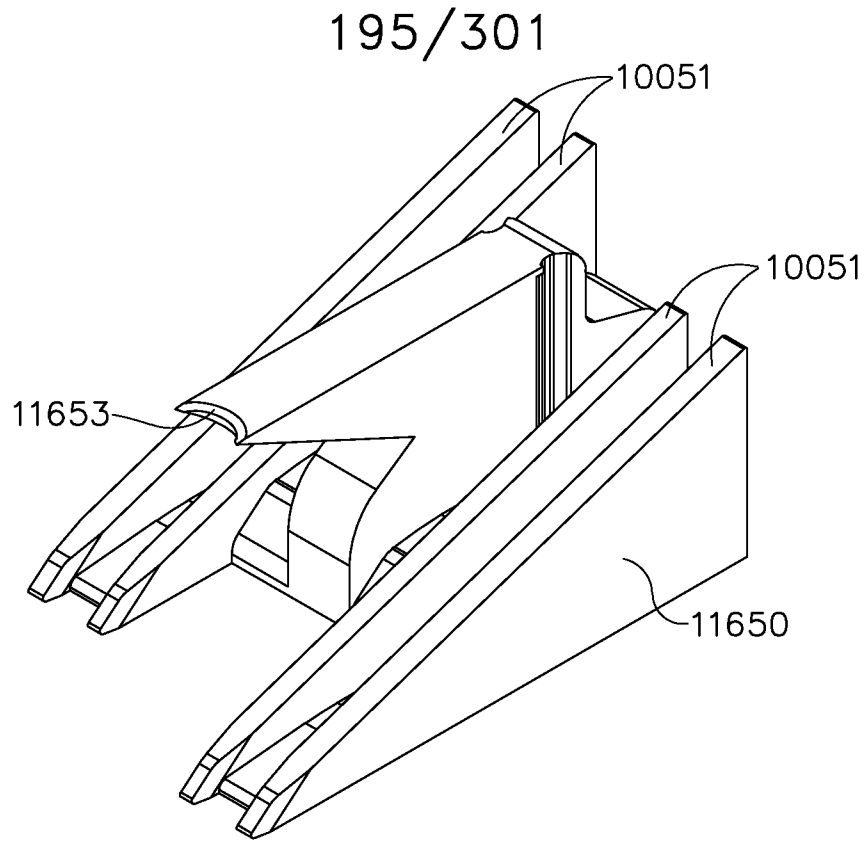


FIG. 327

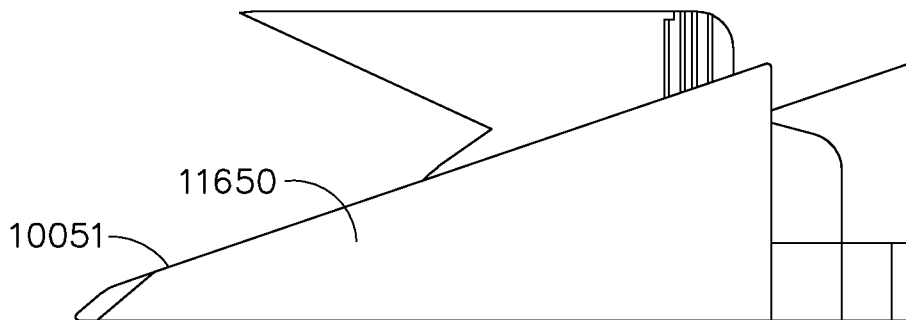


FIG. 328

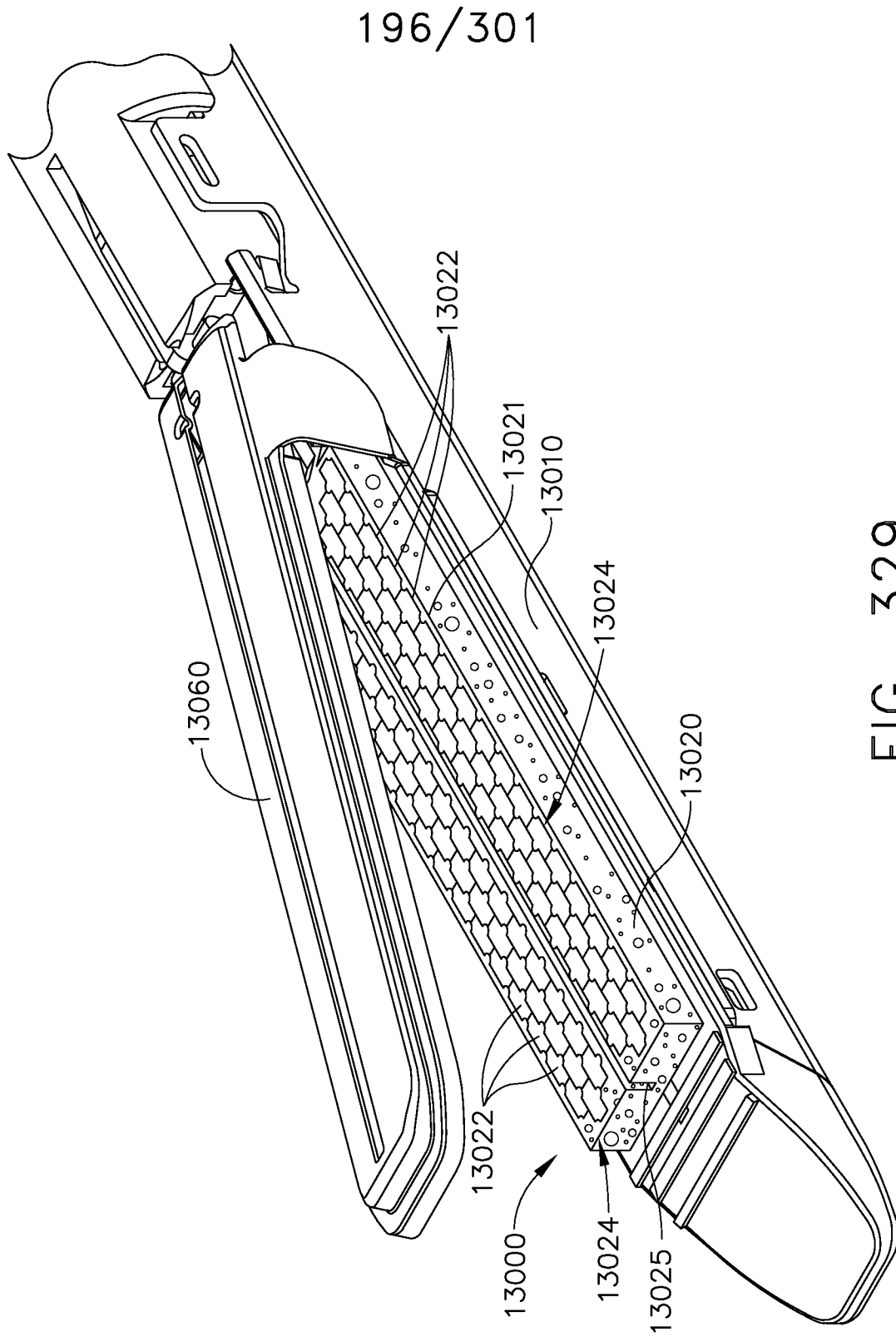


FIG. 329

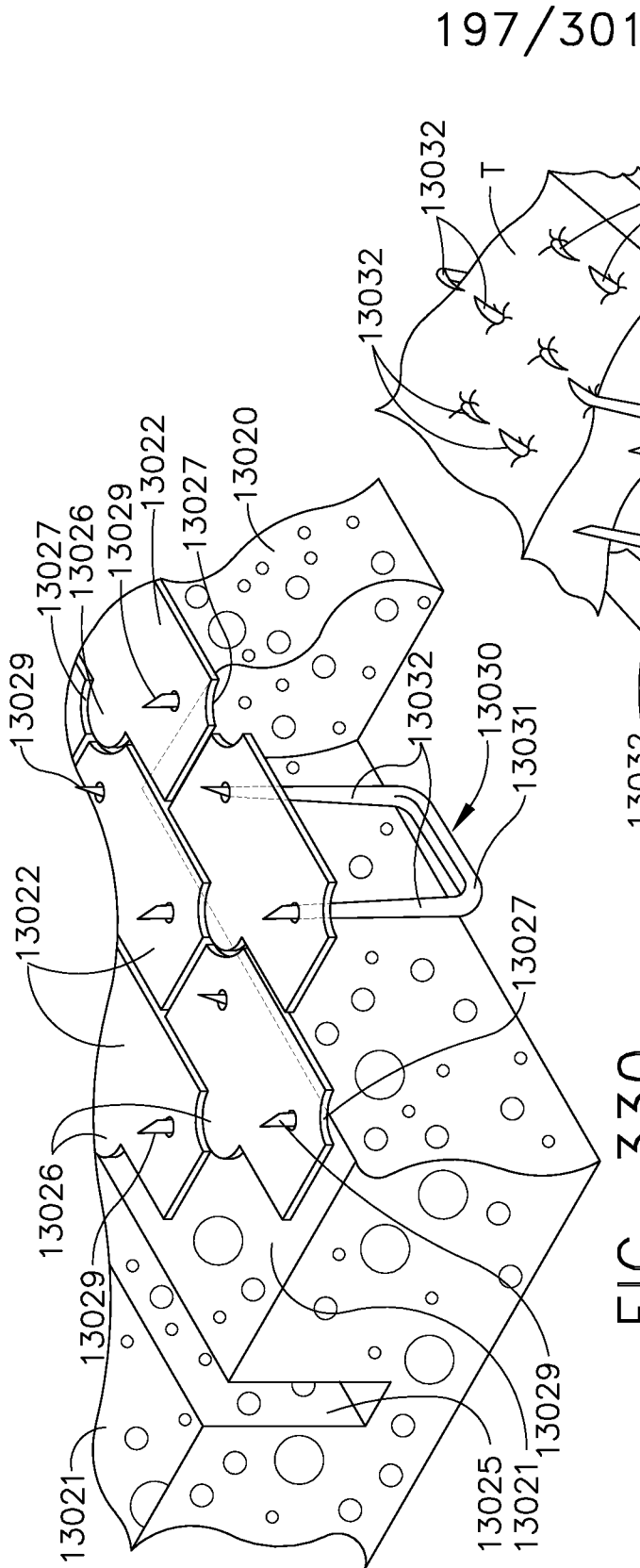


FIG. 330

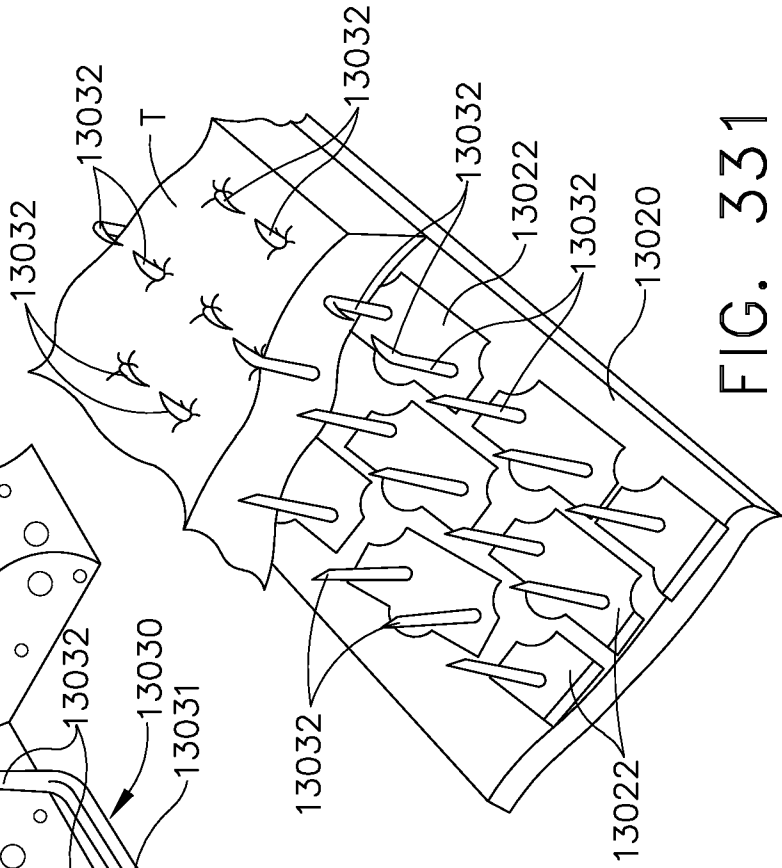
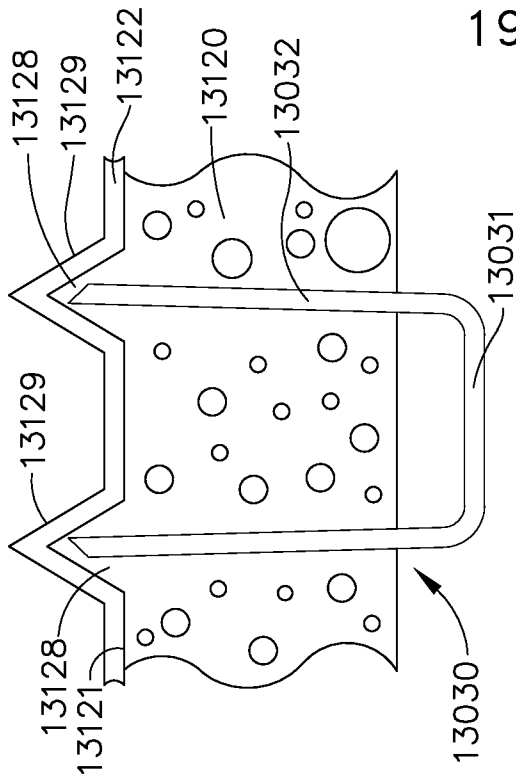


FIG. 331



198/301
FIG. 333

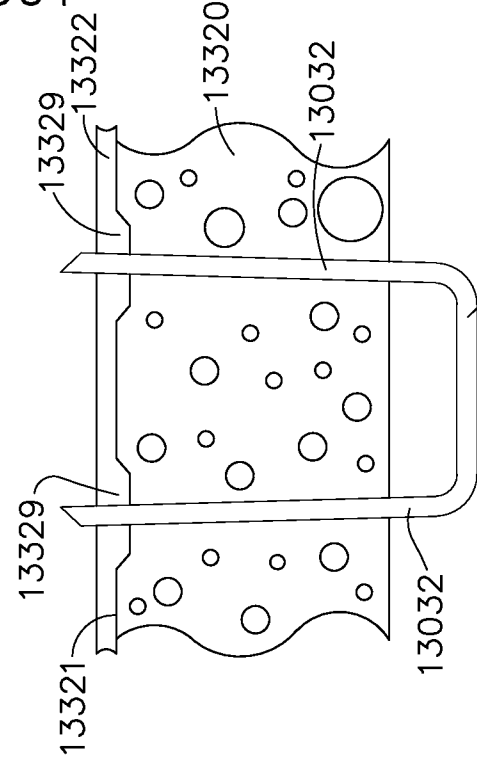


FIG. 335

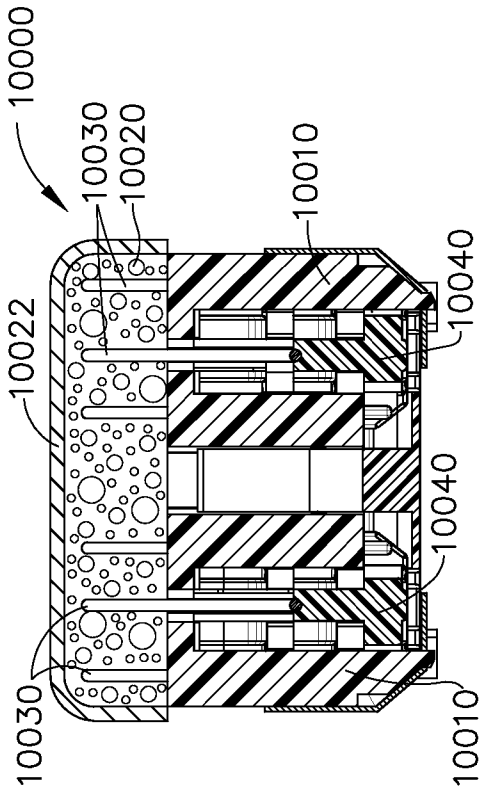


FIG. 332

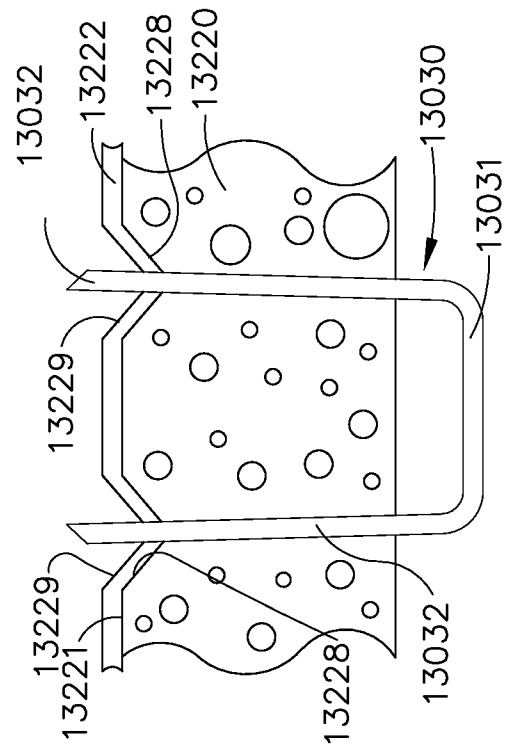


FIG. 334

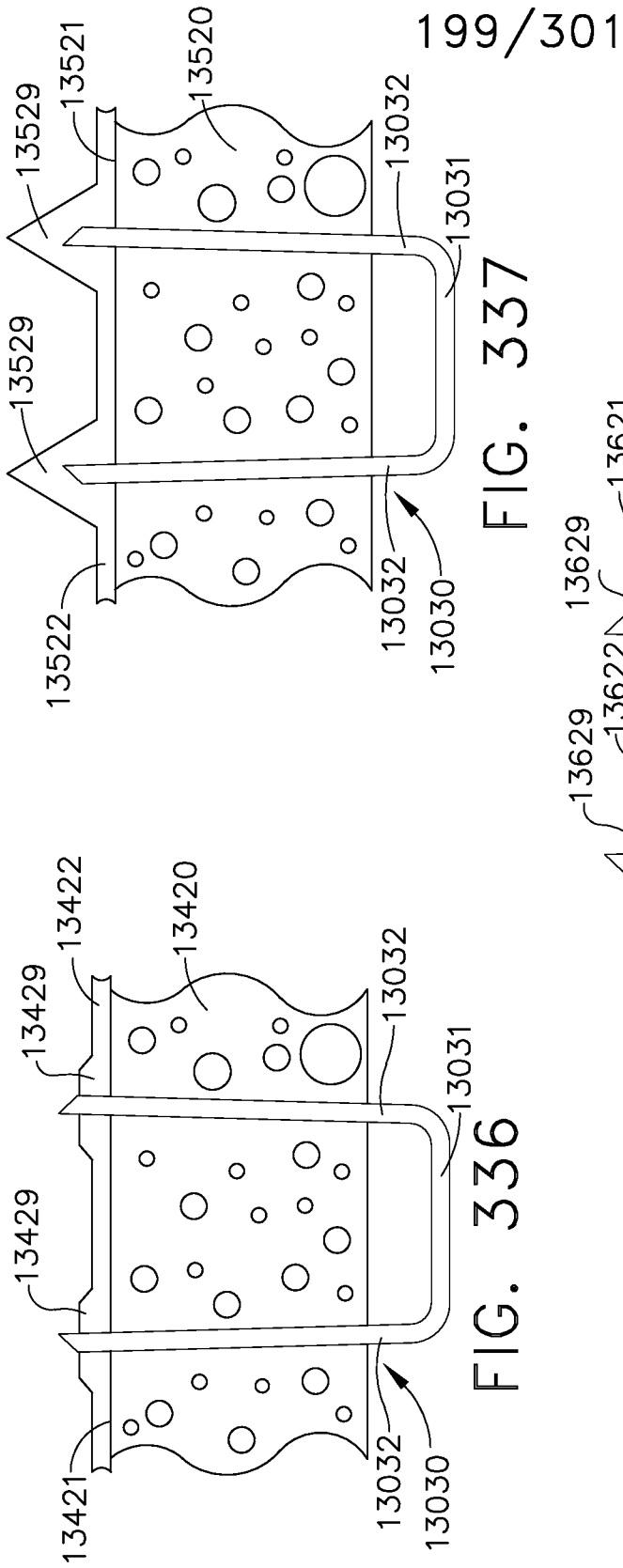


FIG. 337

FIG. 336

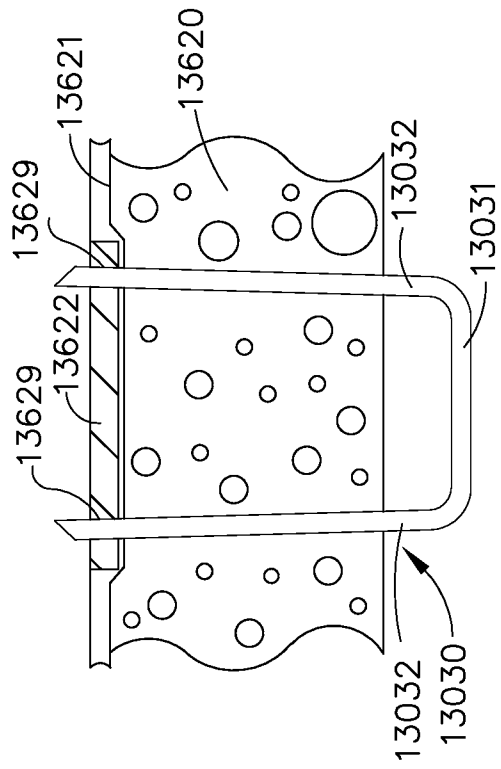


FIG. 338

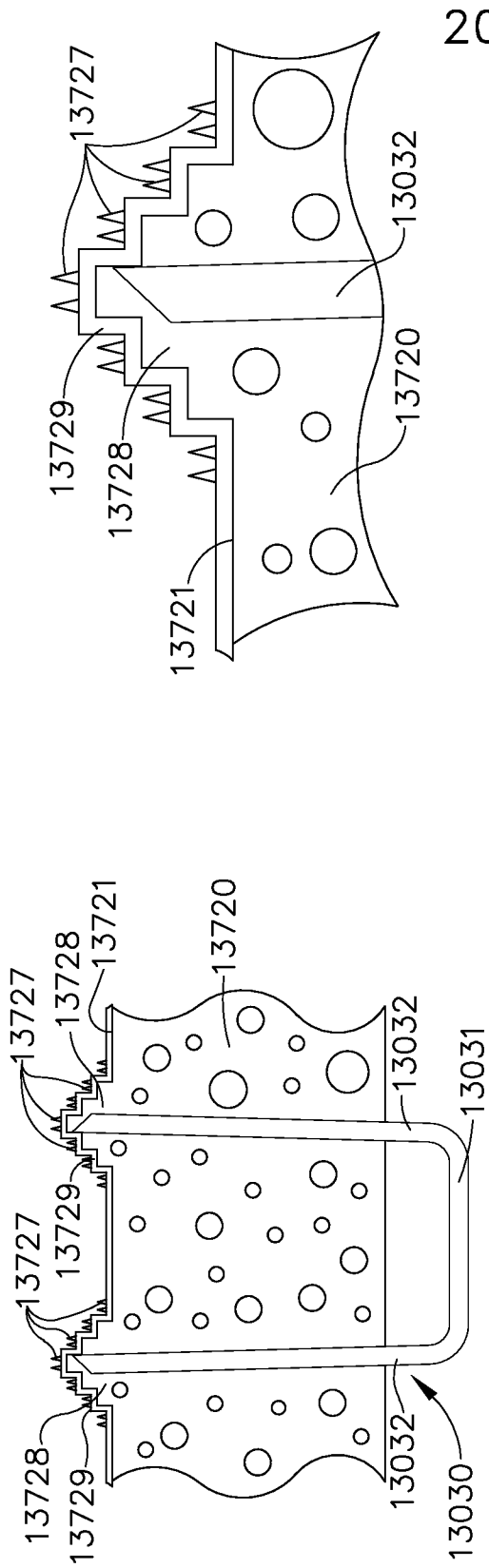


FIG. 339

200/301

FIG. 340

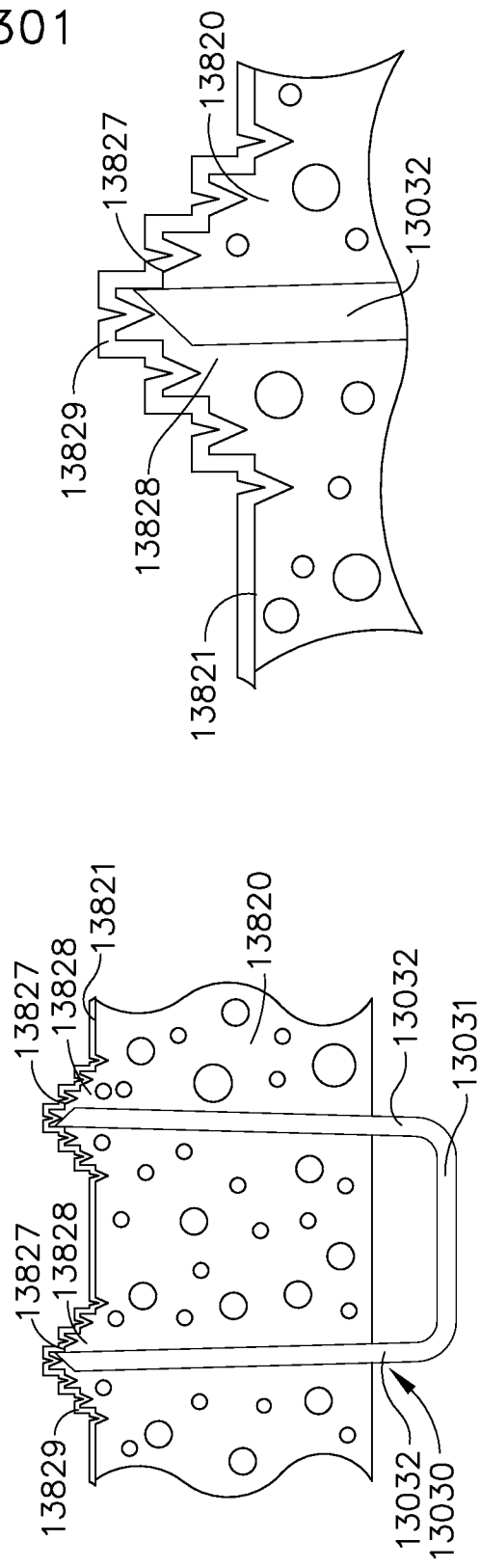


FIG. 342

FIG. 341

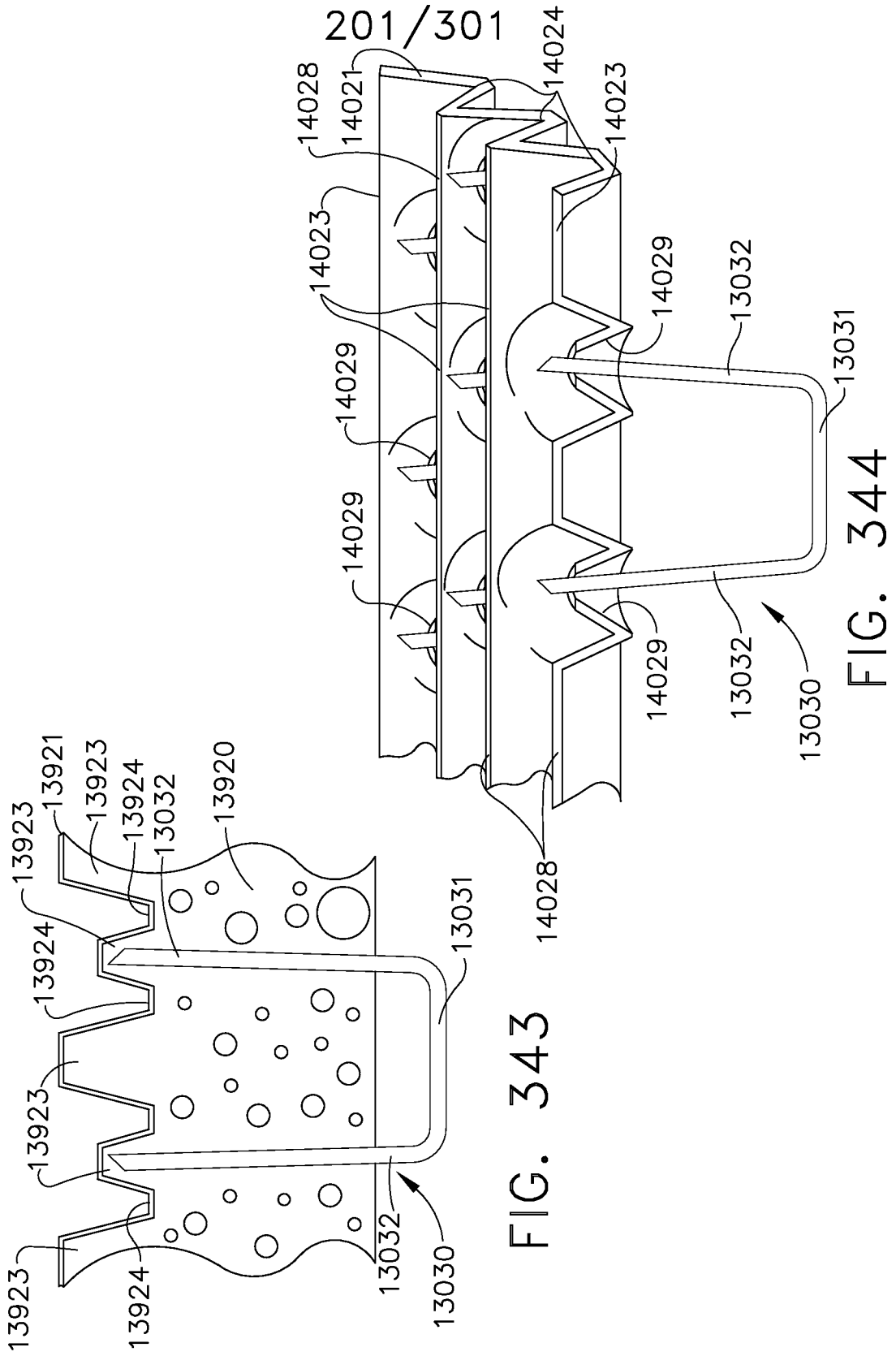
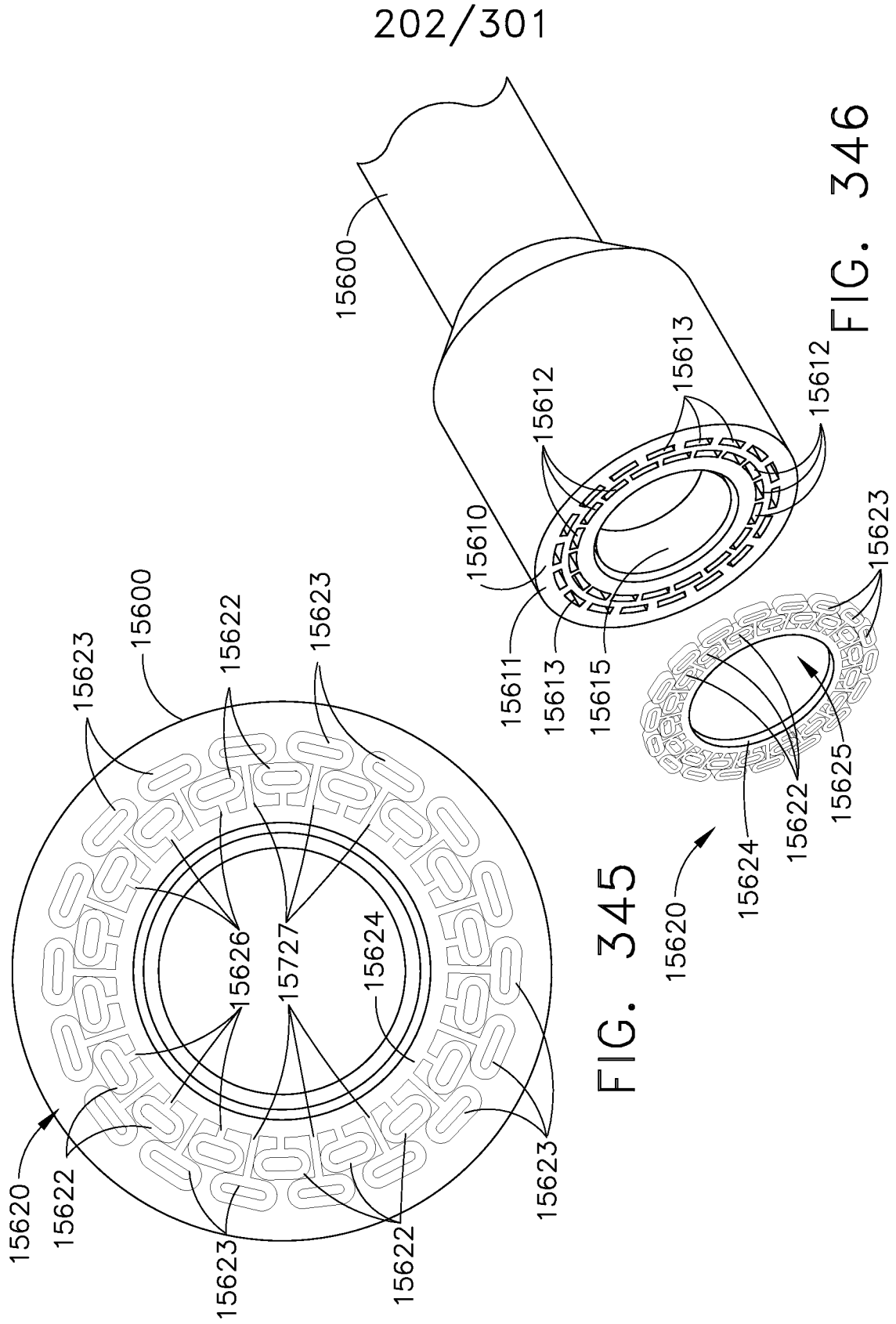
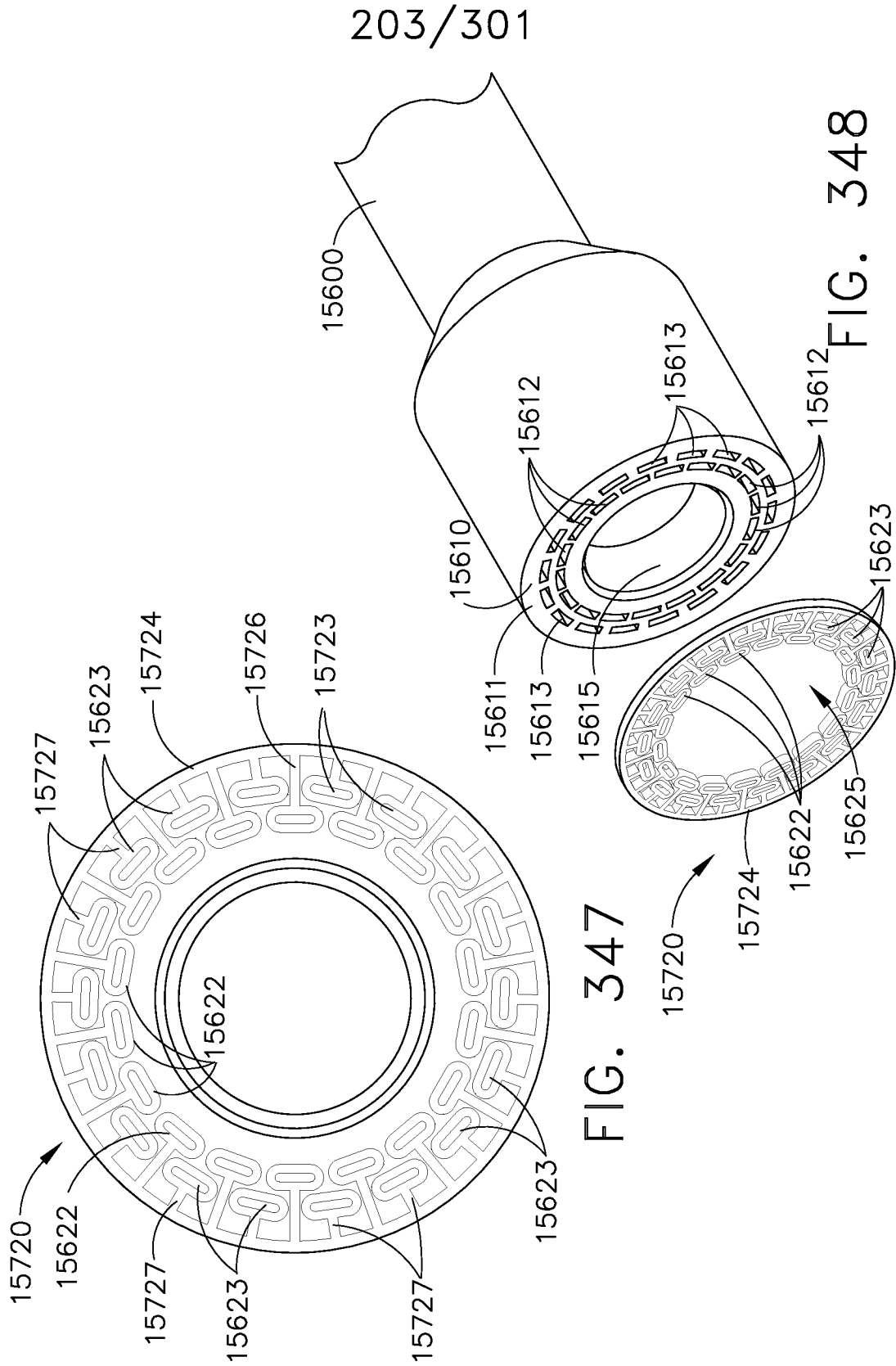


FIG. 343

FIG. 344





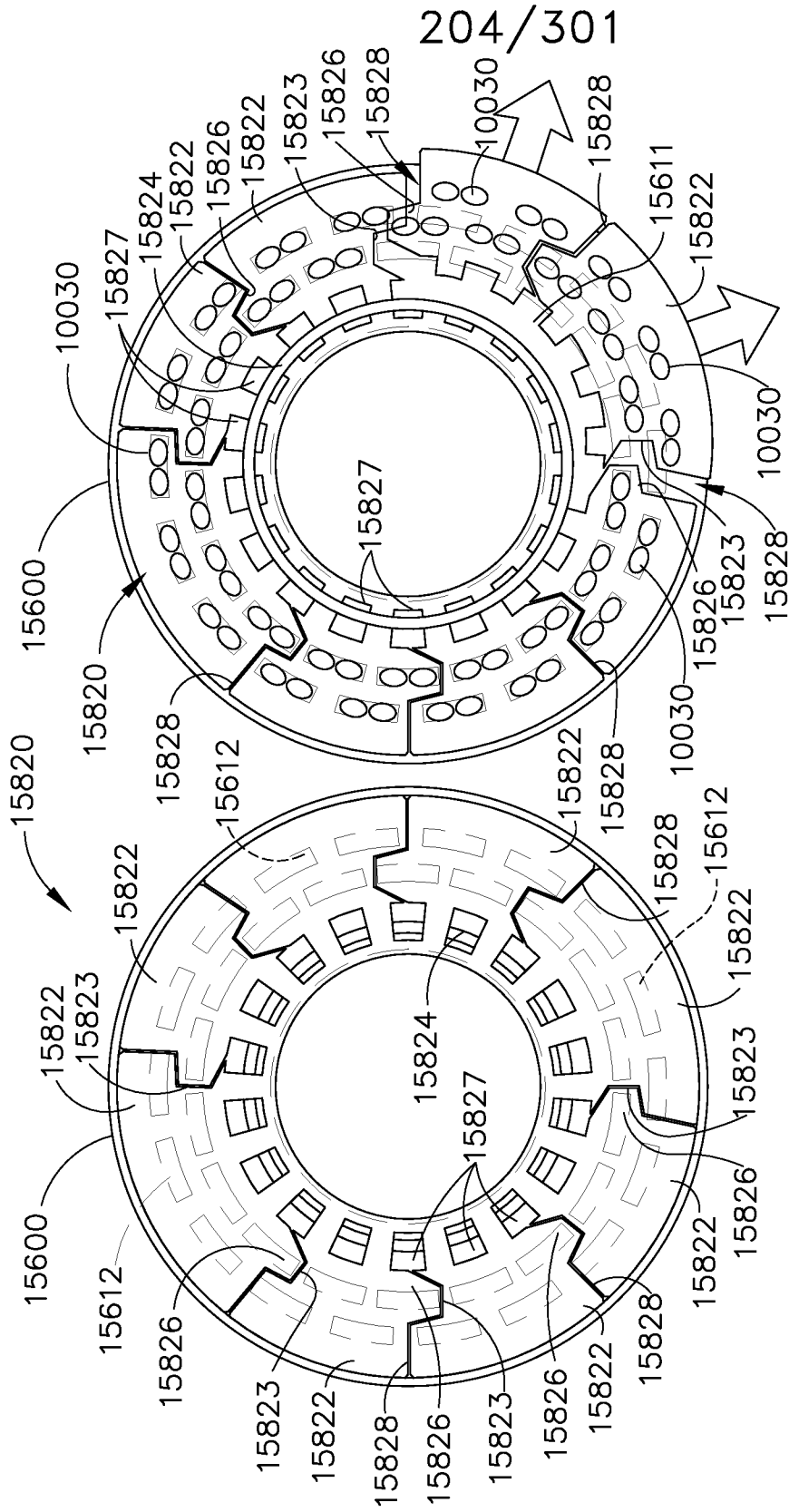


FIG. 349

FIG. 350

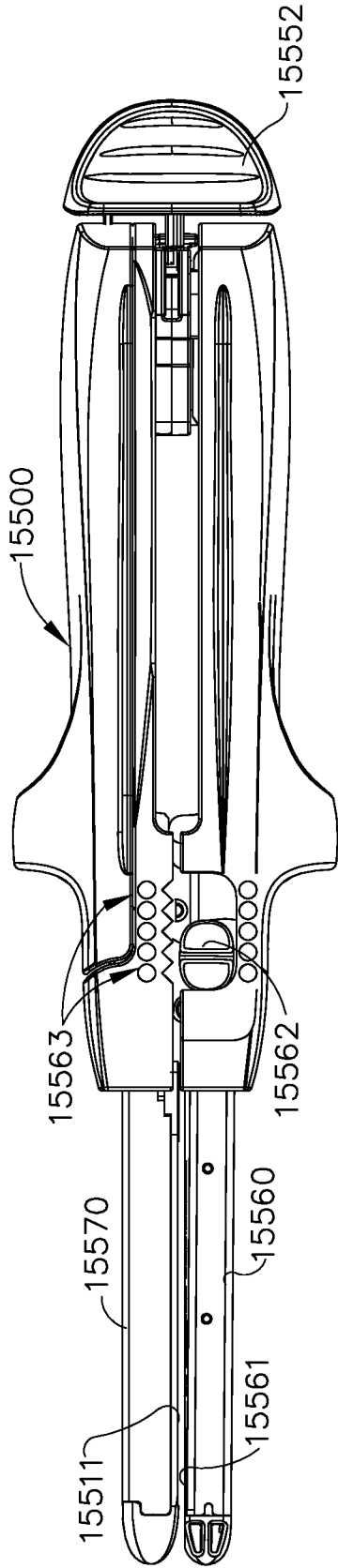


FIG. 351

205/301

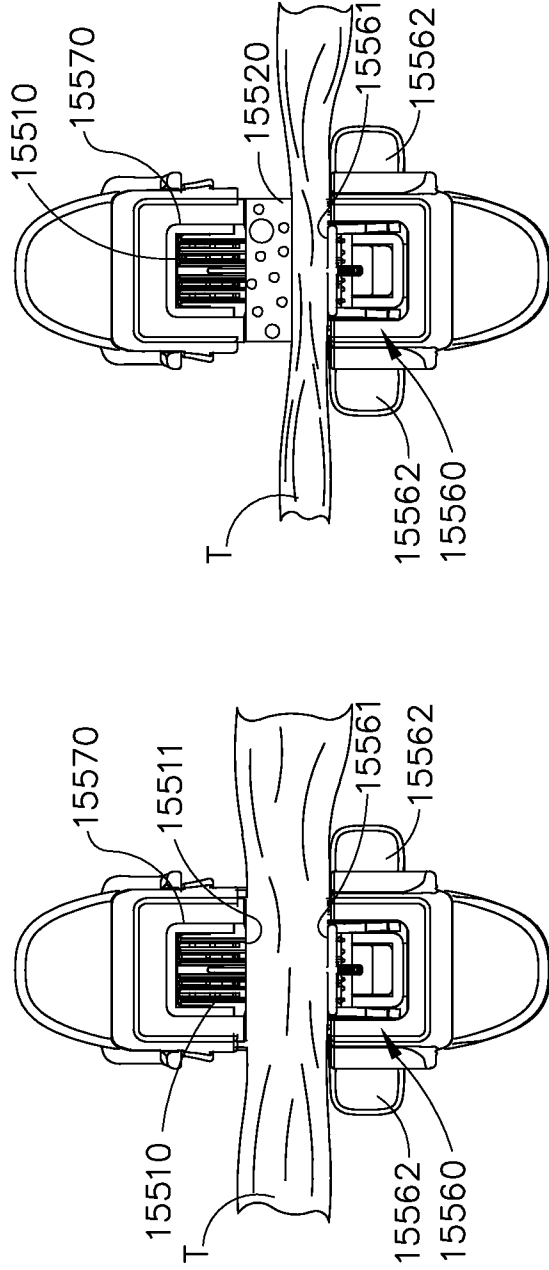


FIG. 352

FIG. 353

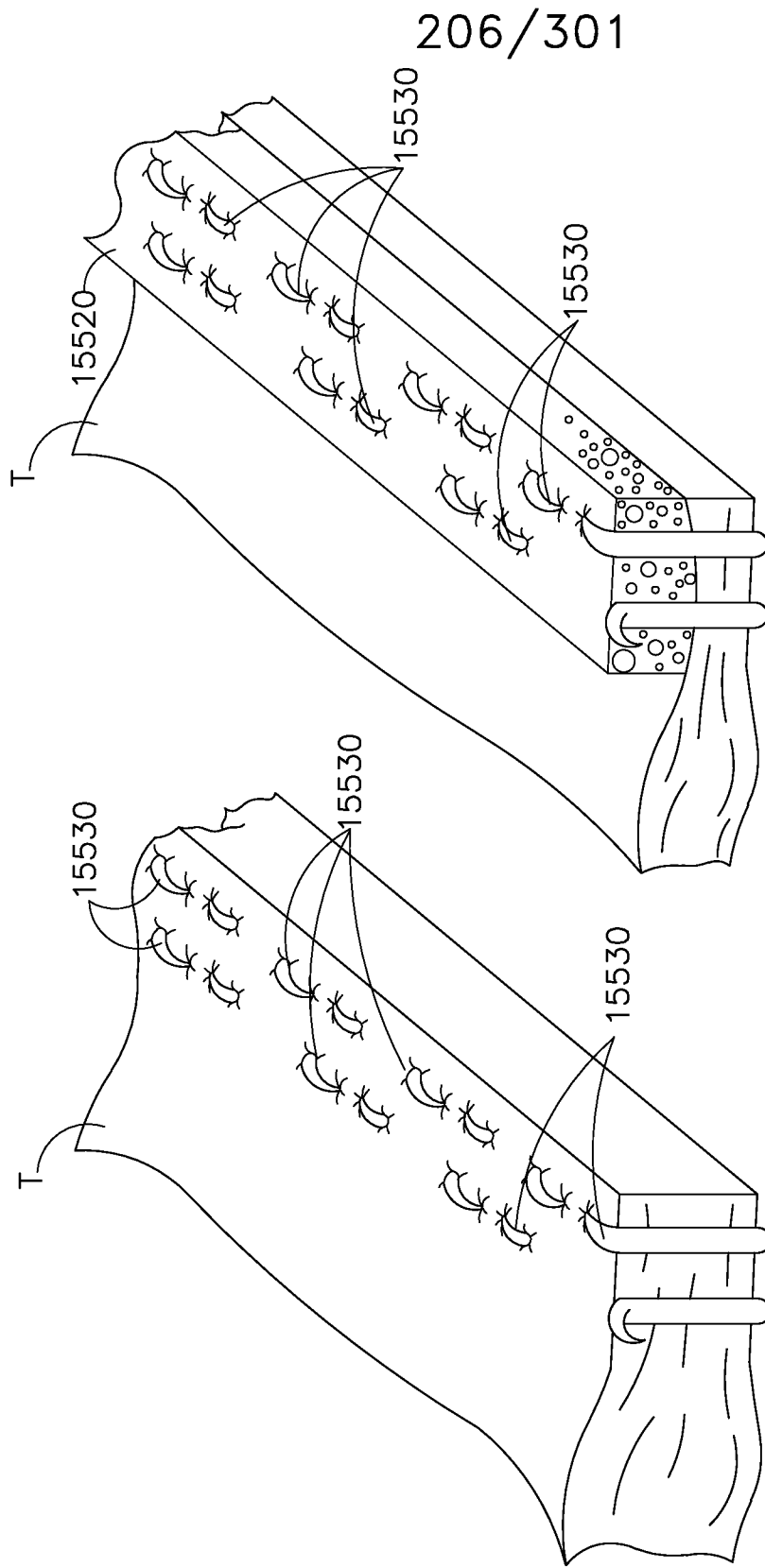


FIG. 355

FIG. 354

207/301

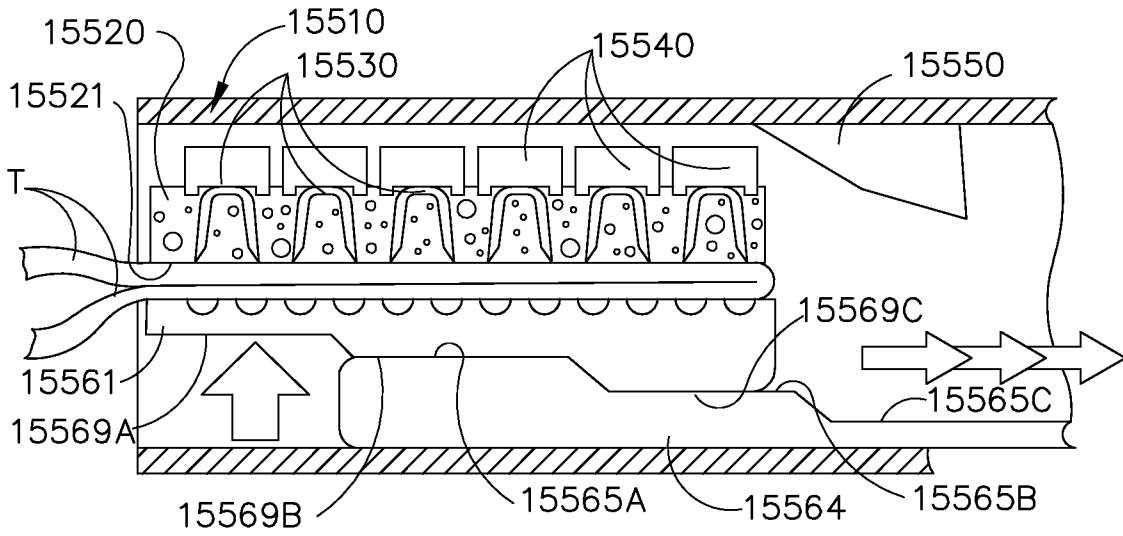


FIG. 356

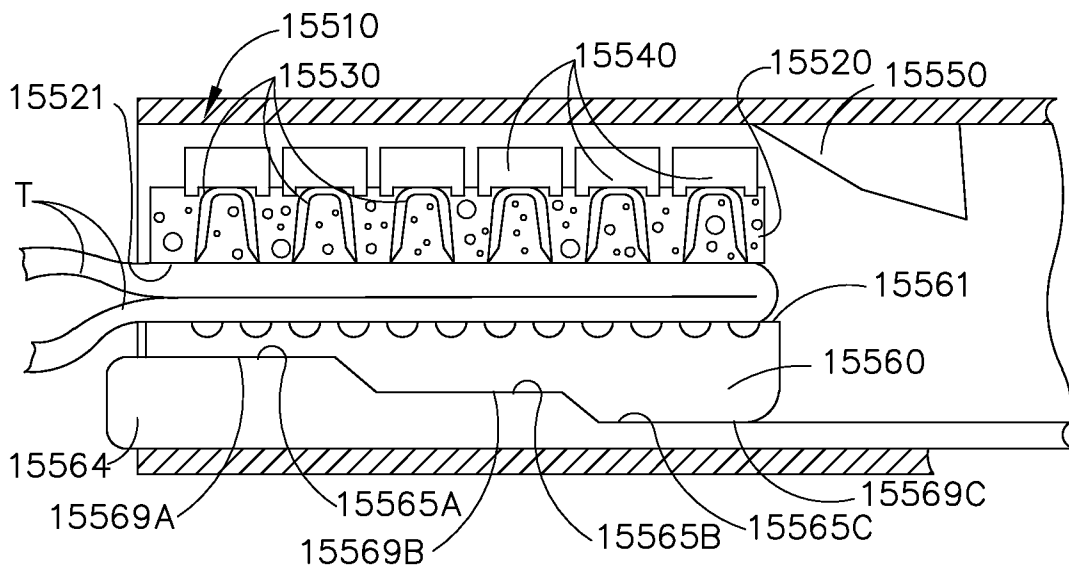


FIG. 357

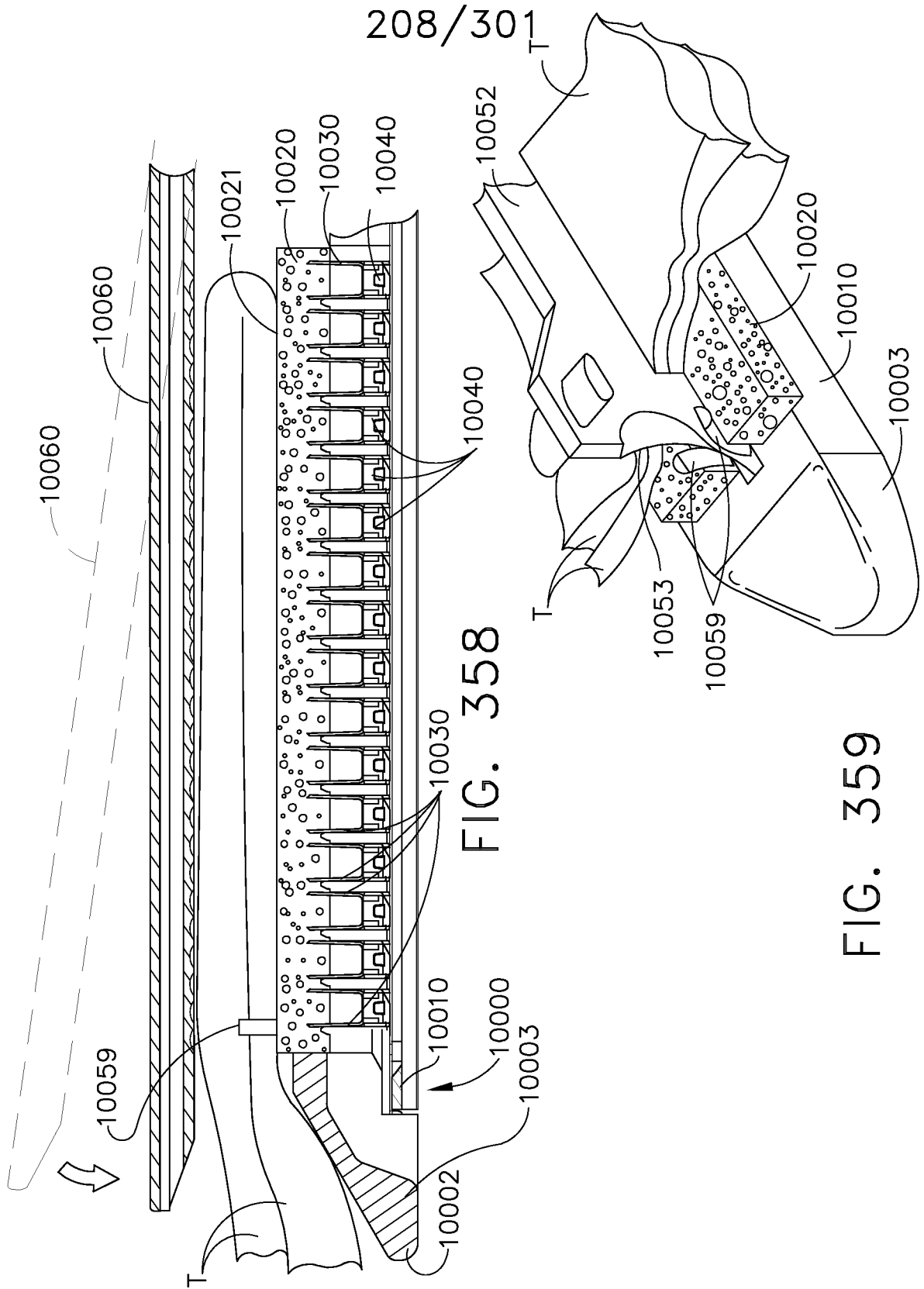


FIG. 358

FIG. 359

209/301

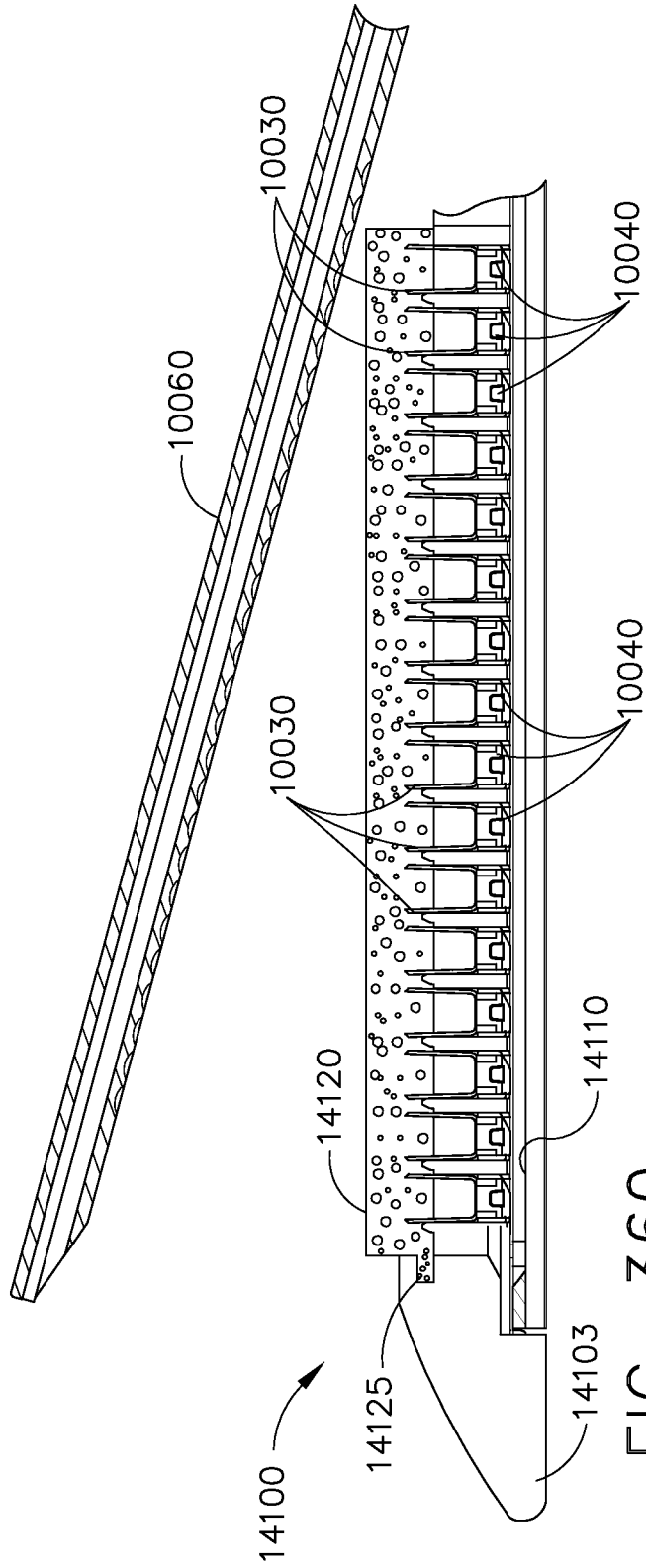


FIG. 360

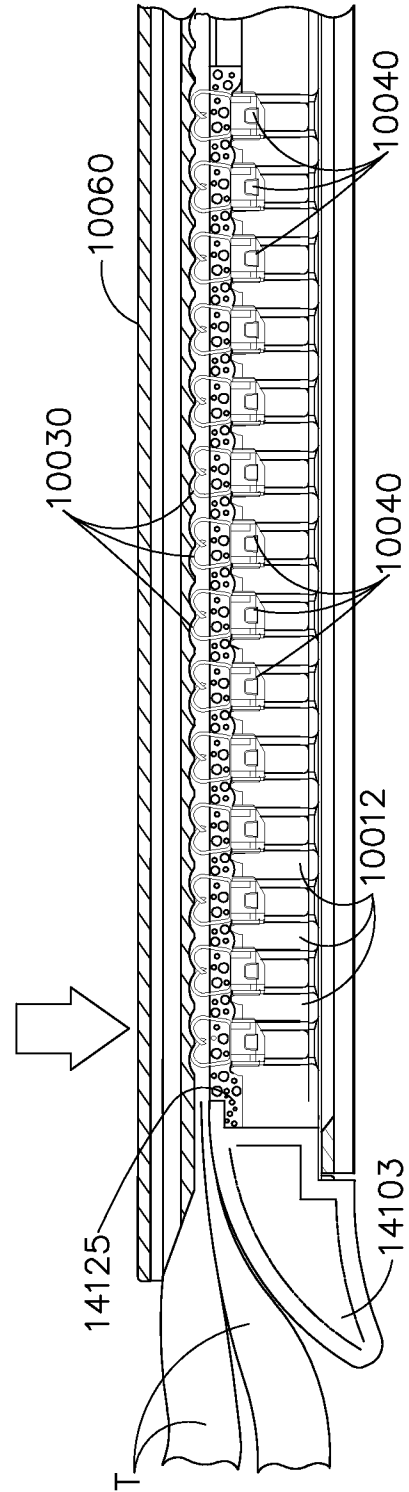


FIG. 361

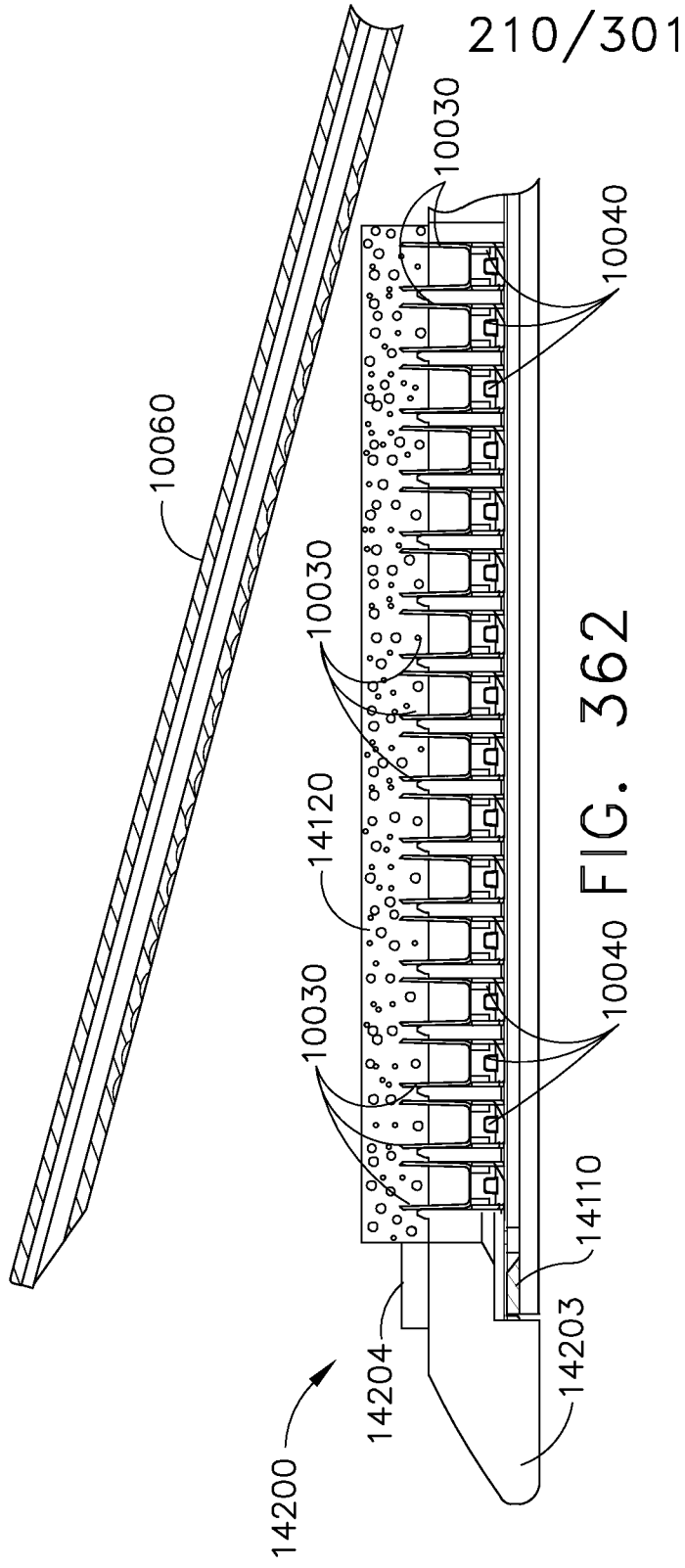


FIG. 362

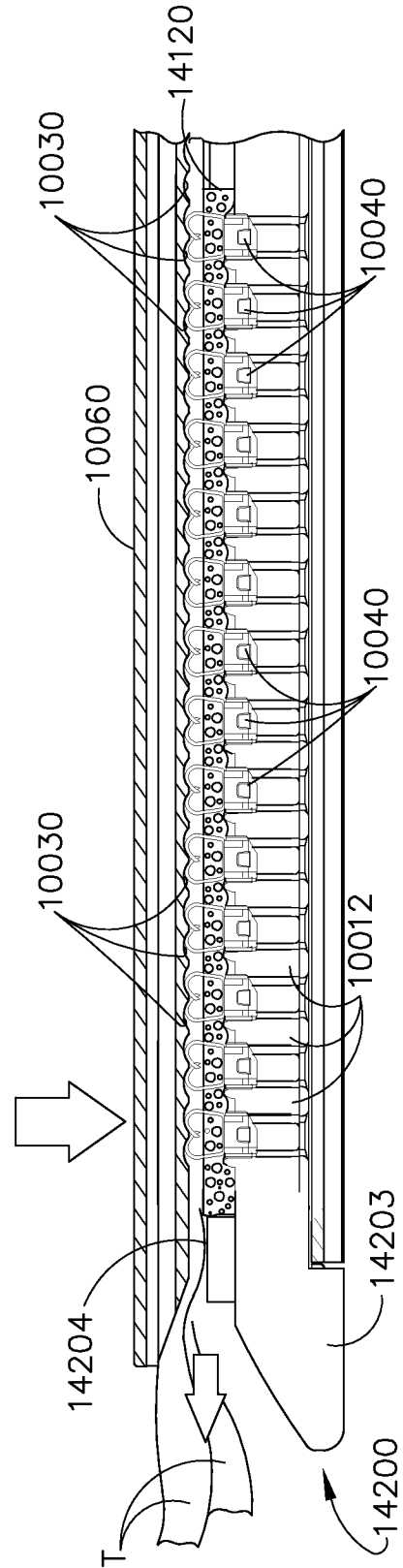
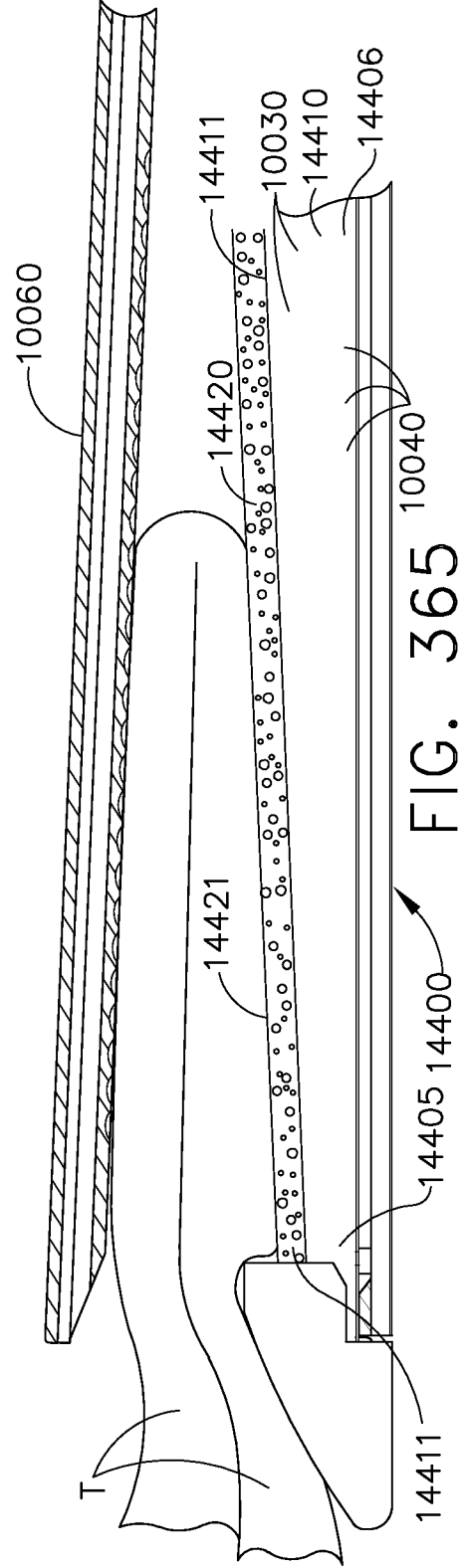
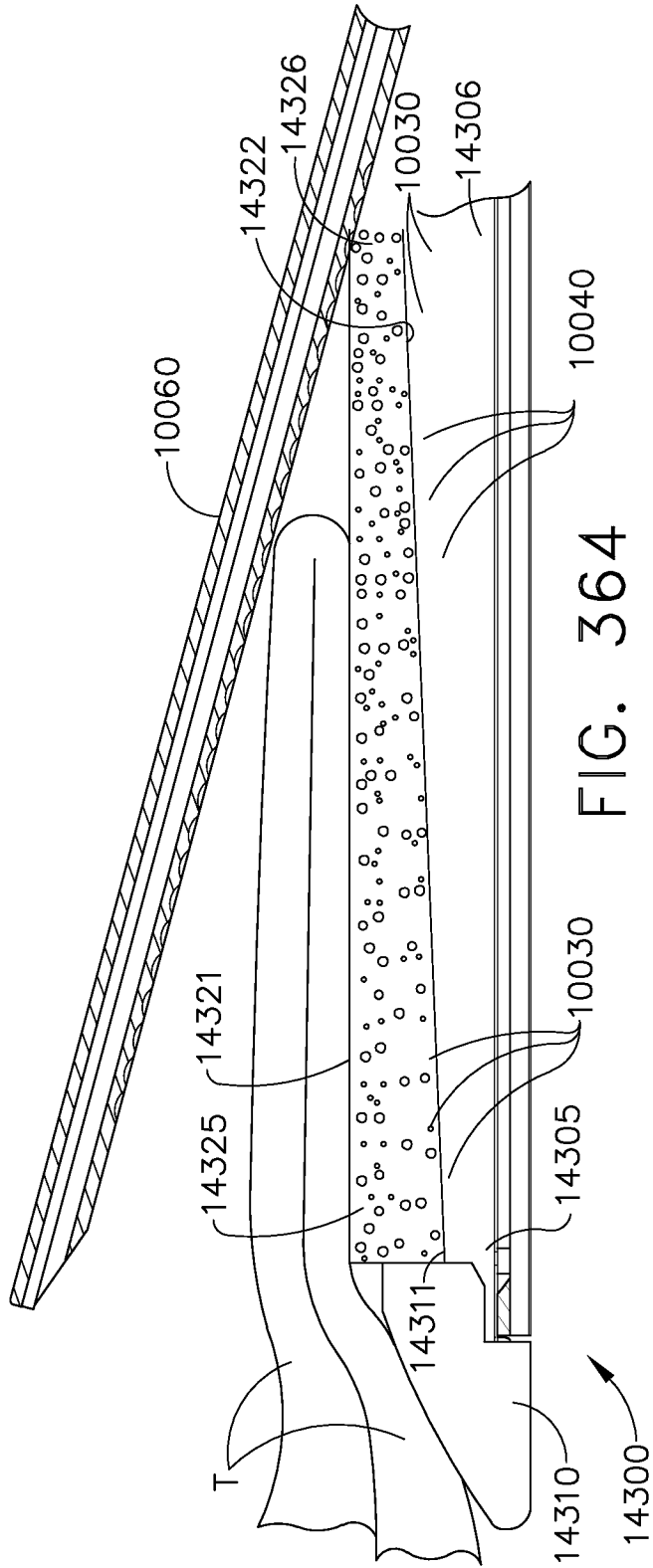


FIG. 363

211/301



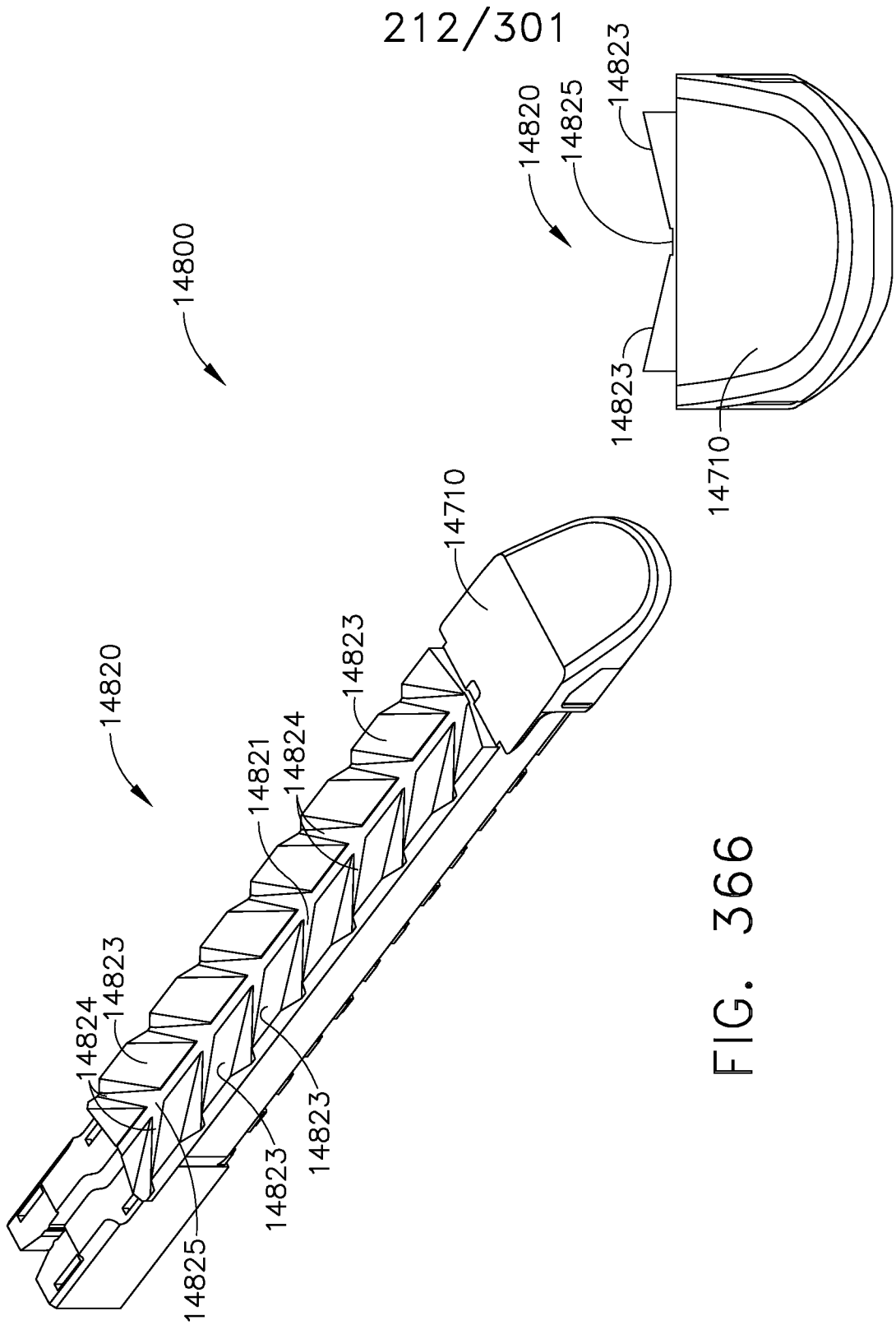


FIG. 366

FIG. 367

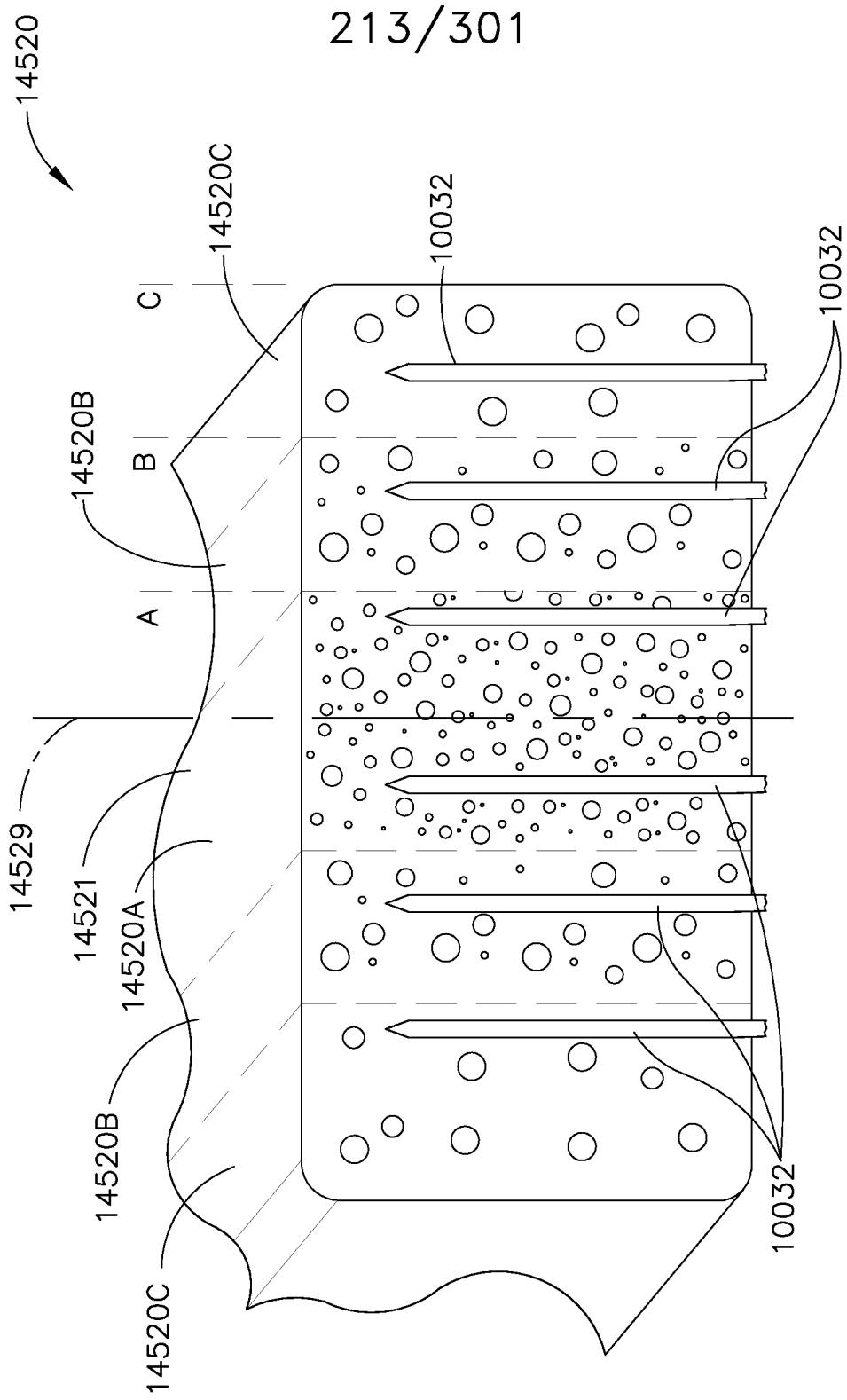


FIG. 368

214/301

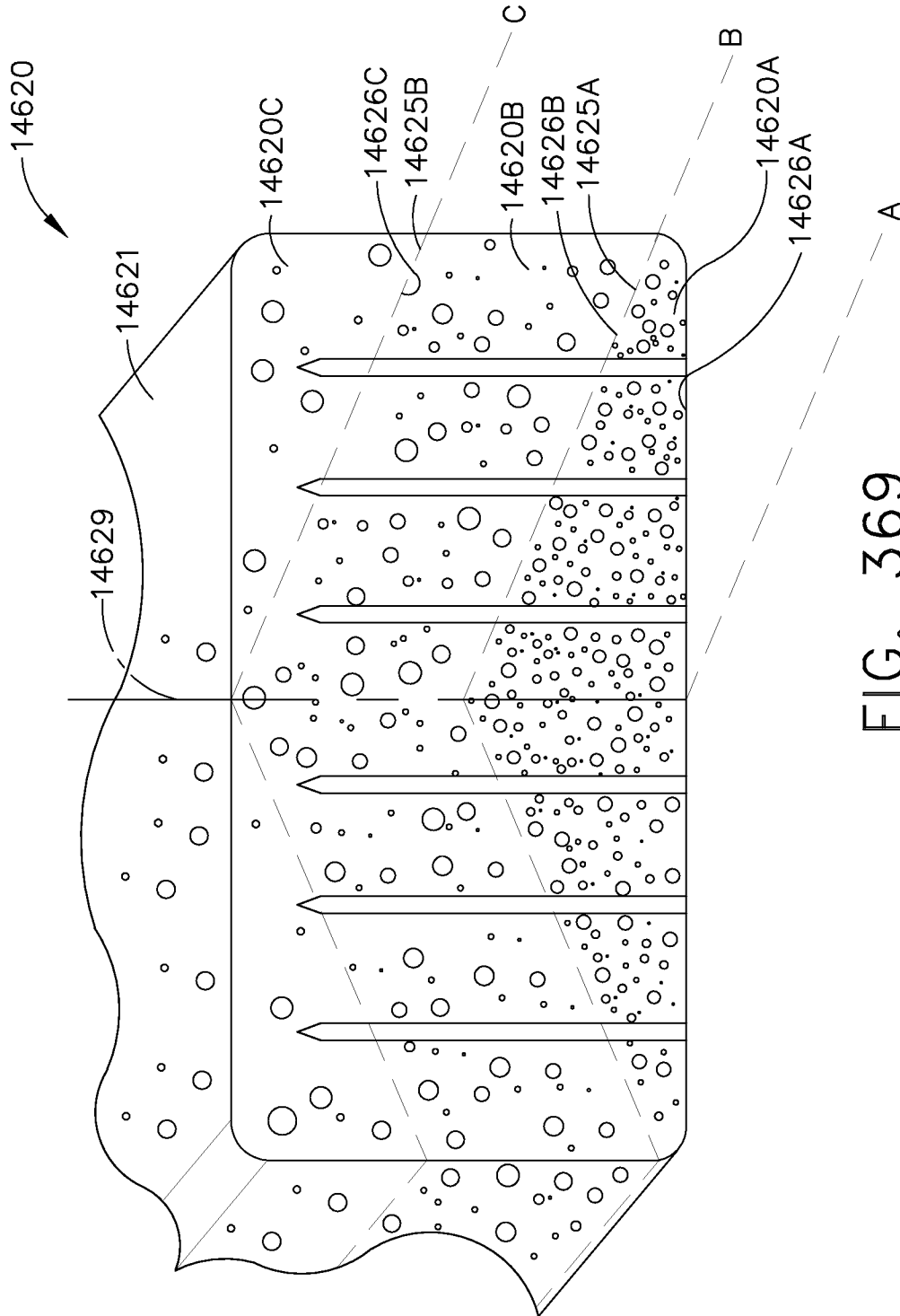


FIG. 369

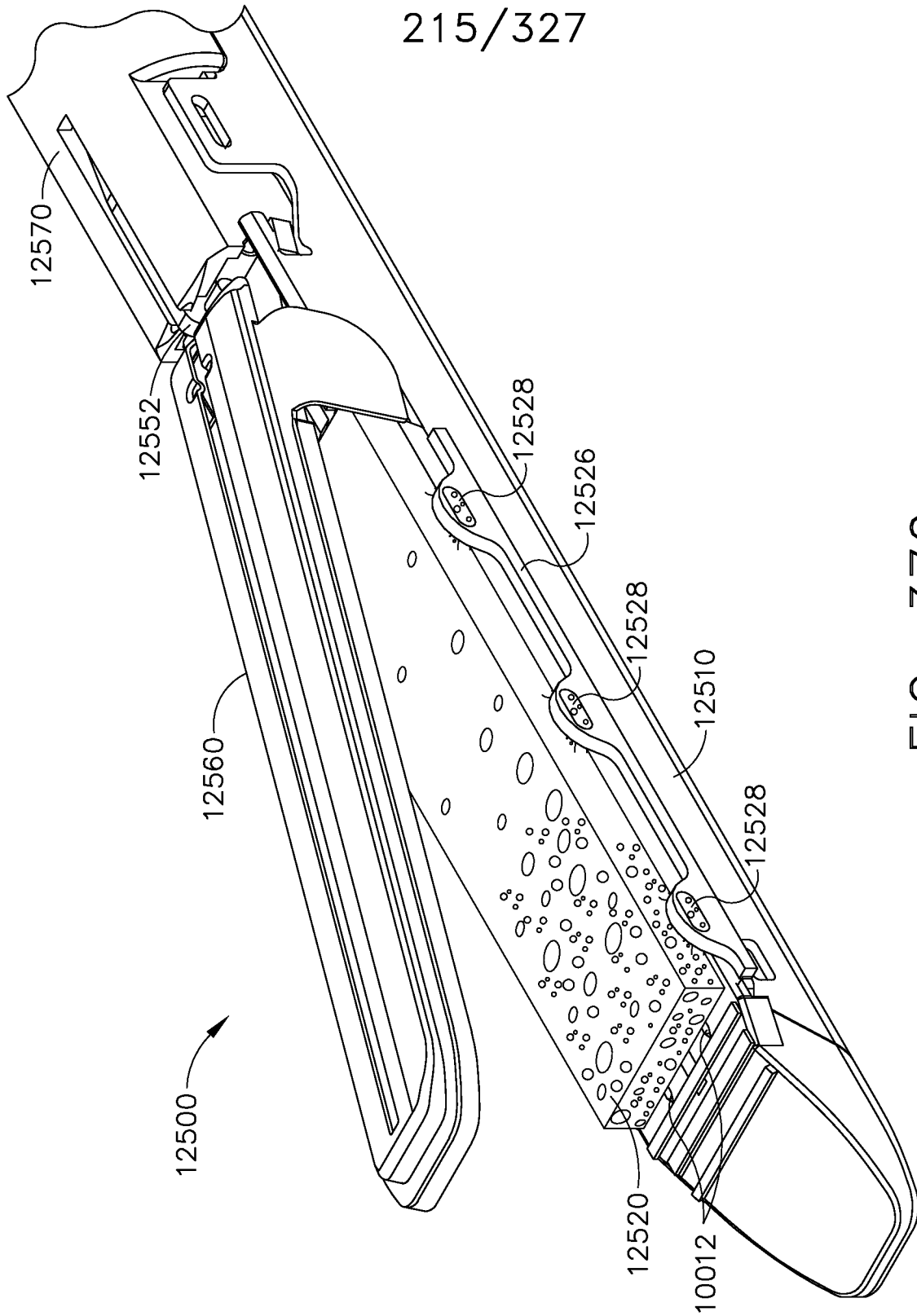


FIG. 370

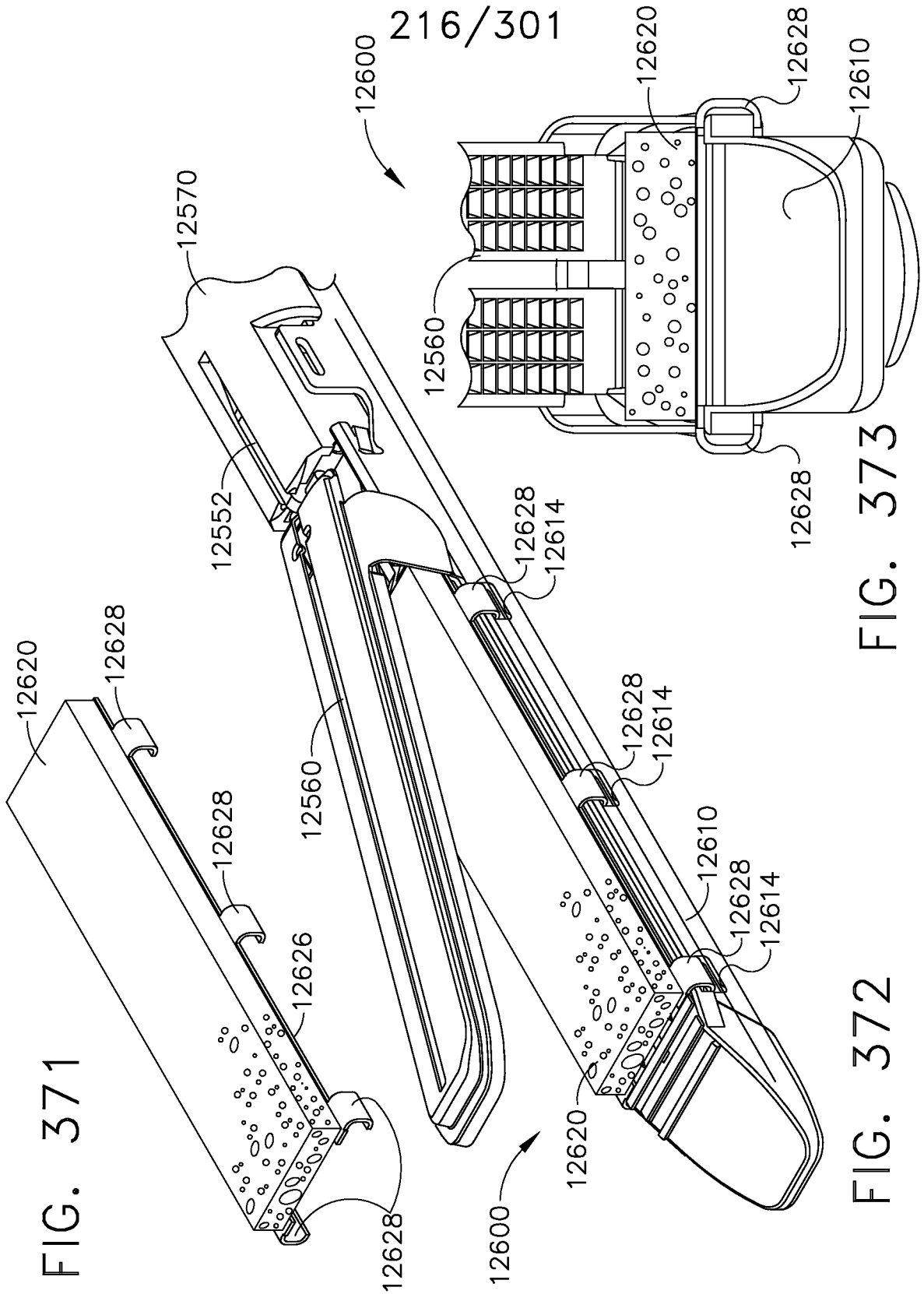


FIG. 371

FIG. 372

FIG. 373

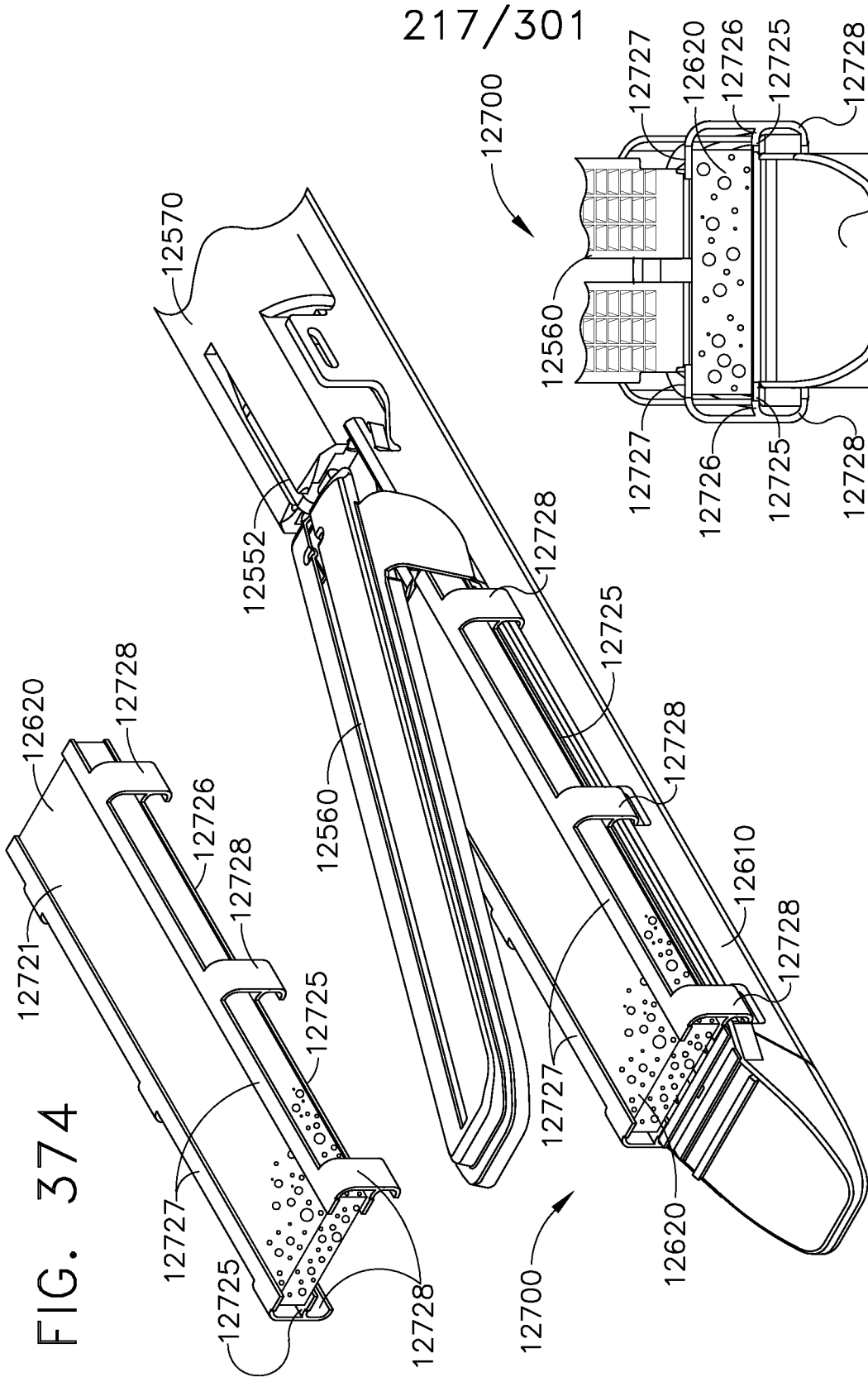


FIG. 374

FIG. 375

FIG. 376

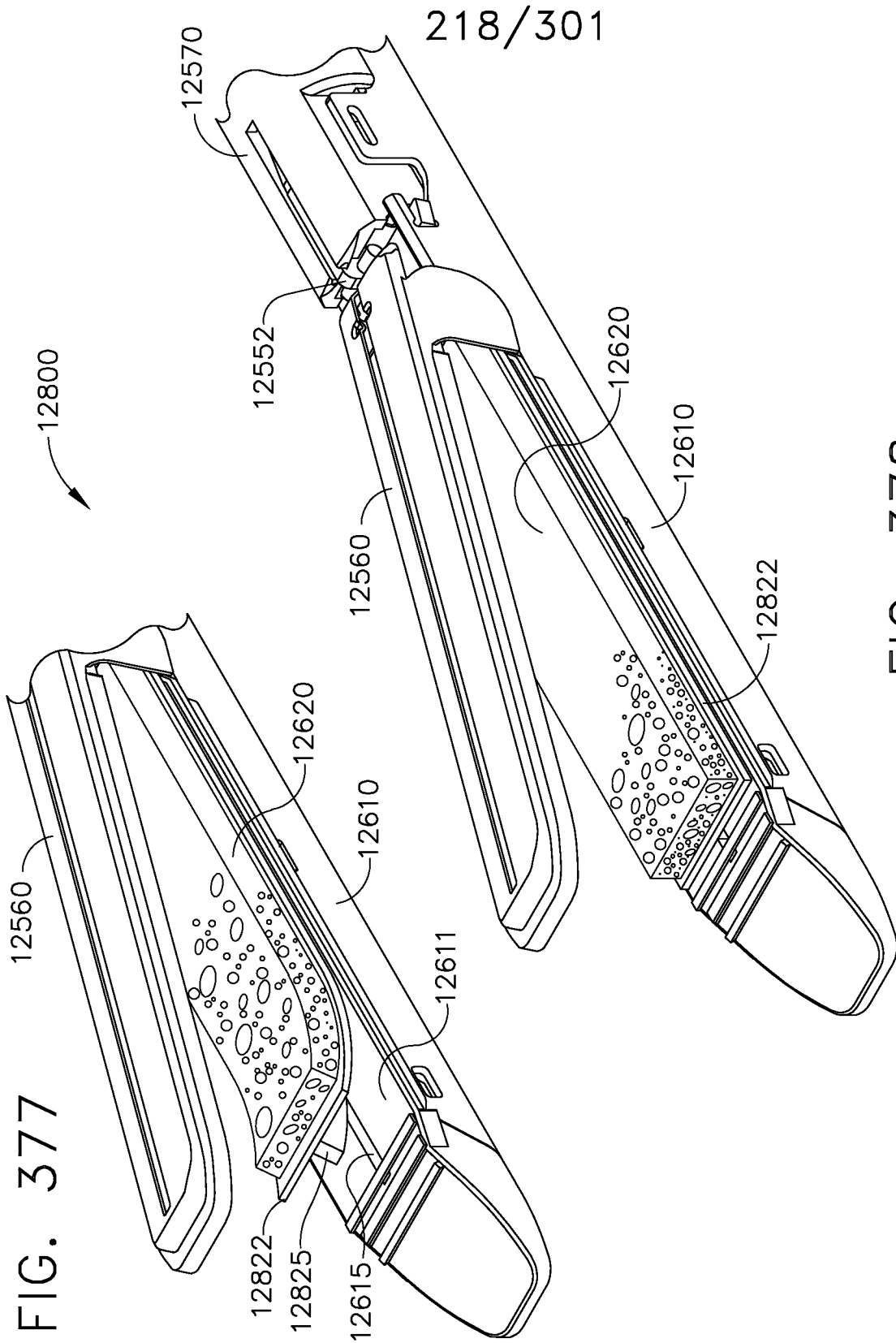


FIG. 378

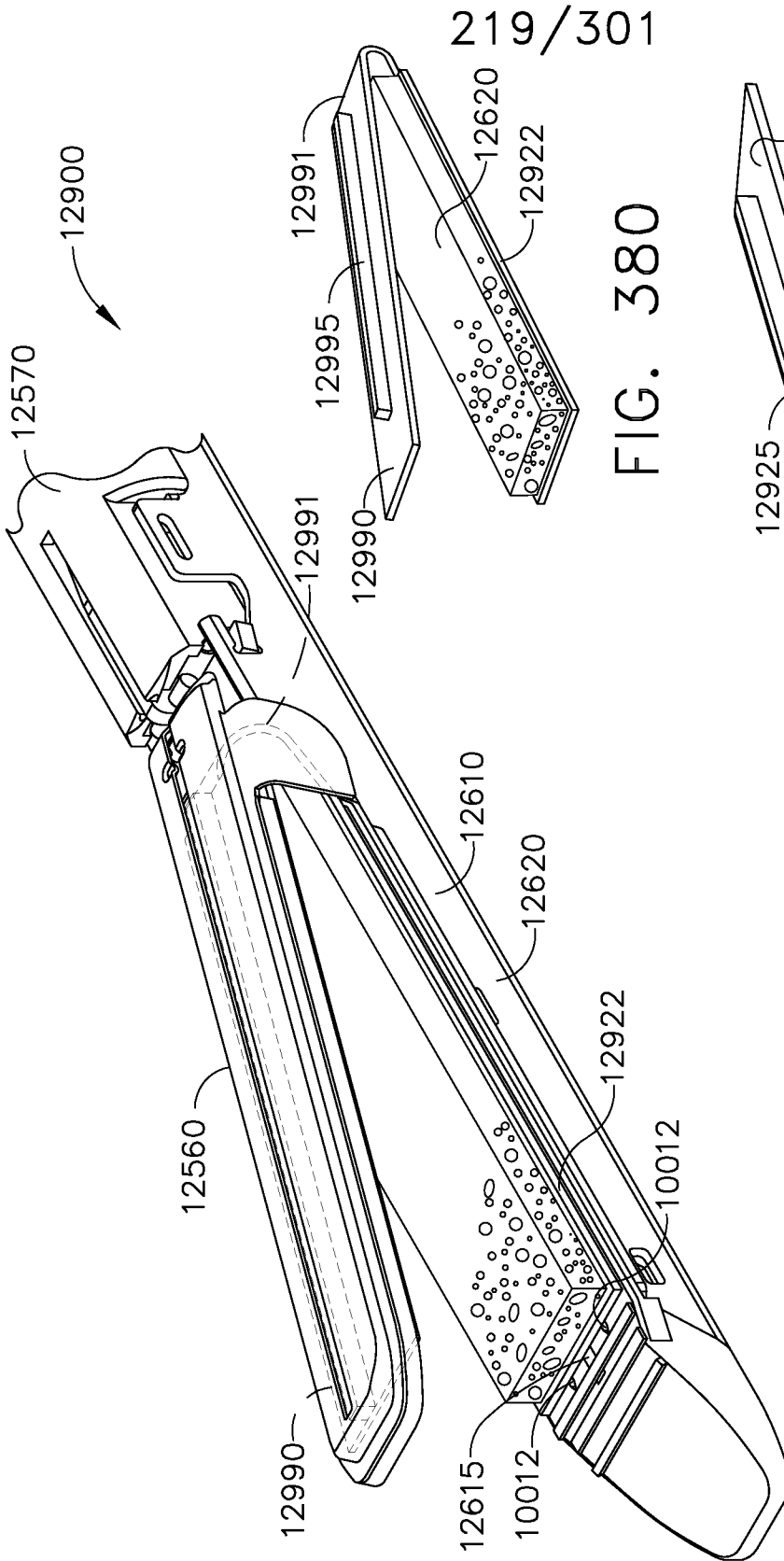


FIG. 380

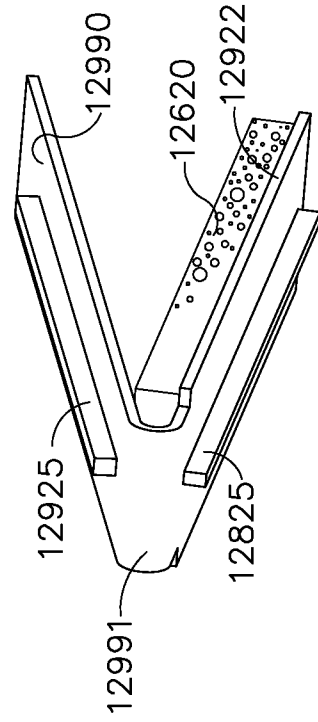


FIG. 381

FIG. 379

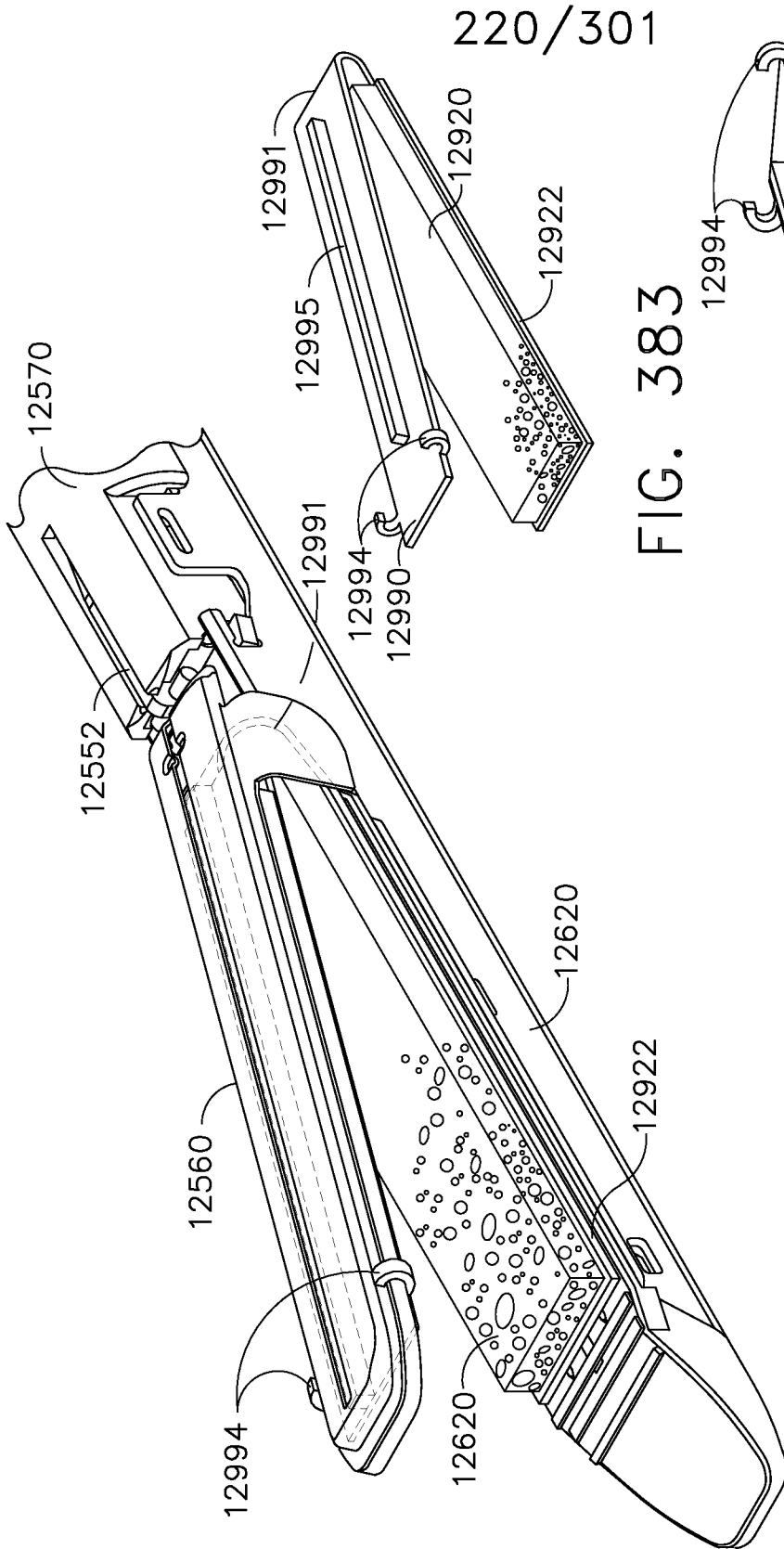


FIG. 383

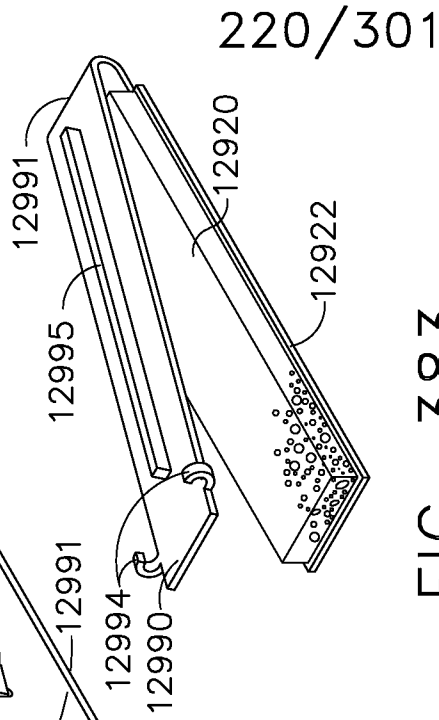


FIG. 382

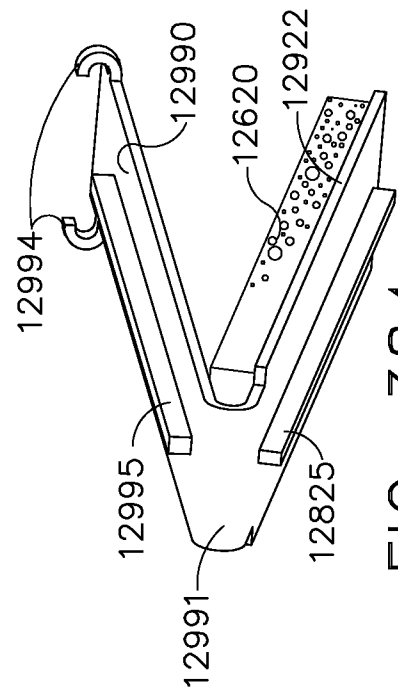


FIG. 384

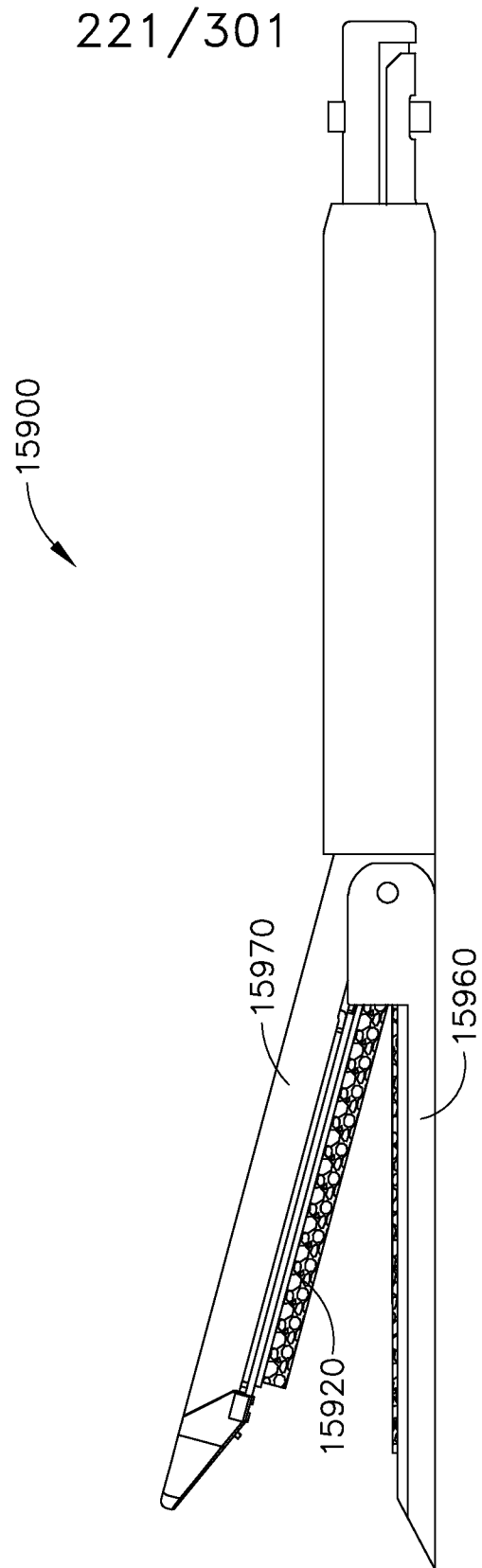


FIG. 385

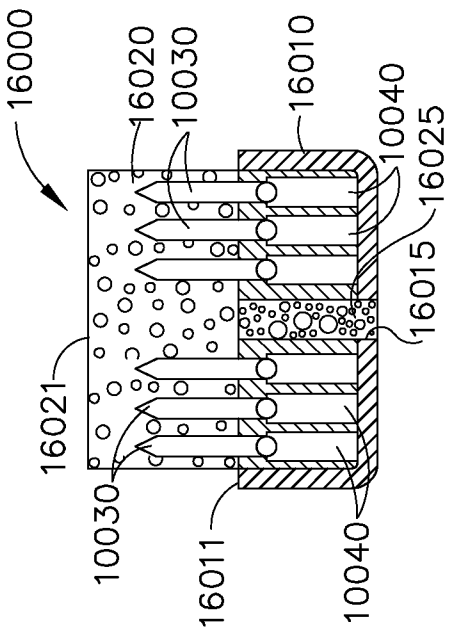


FIG. 386

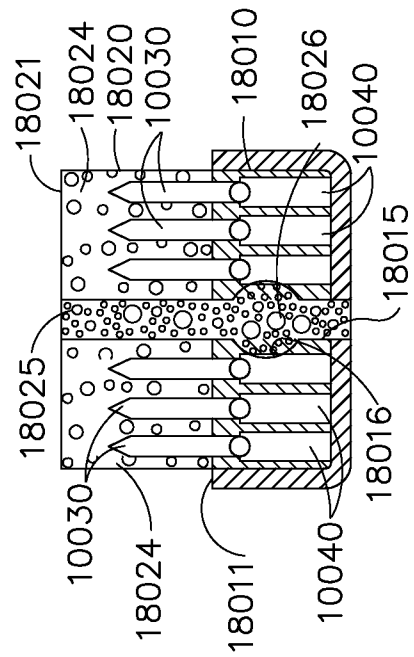


FIG. 388

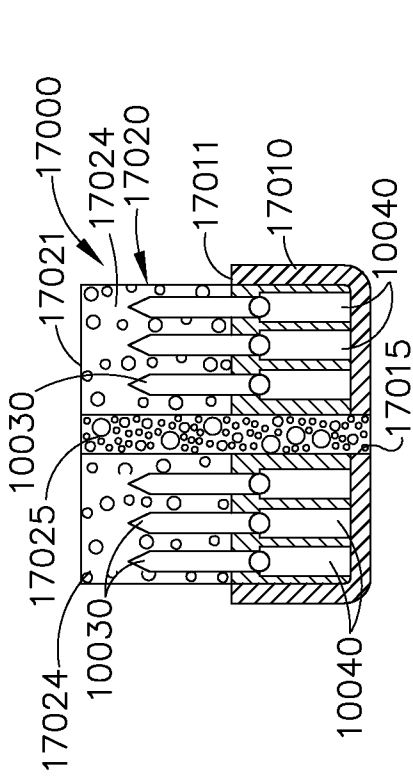


FIG. 387

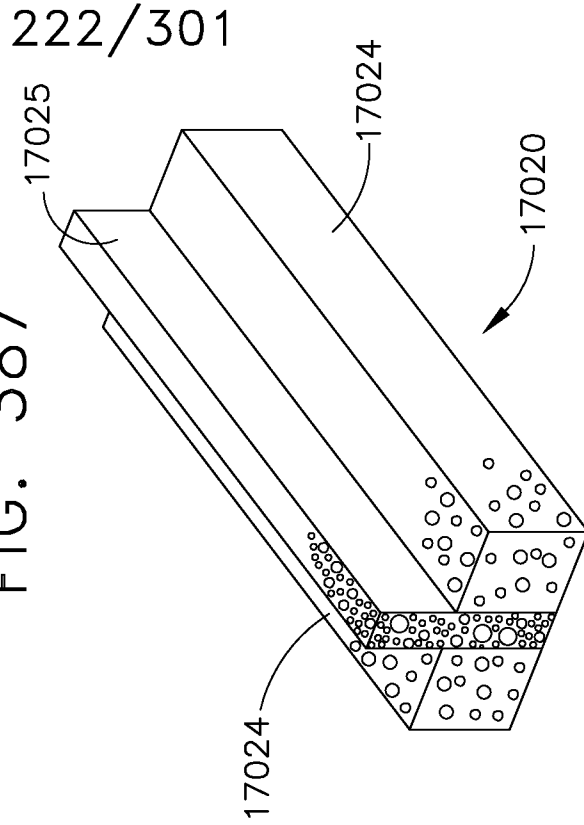


FIG. 389

223/301

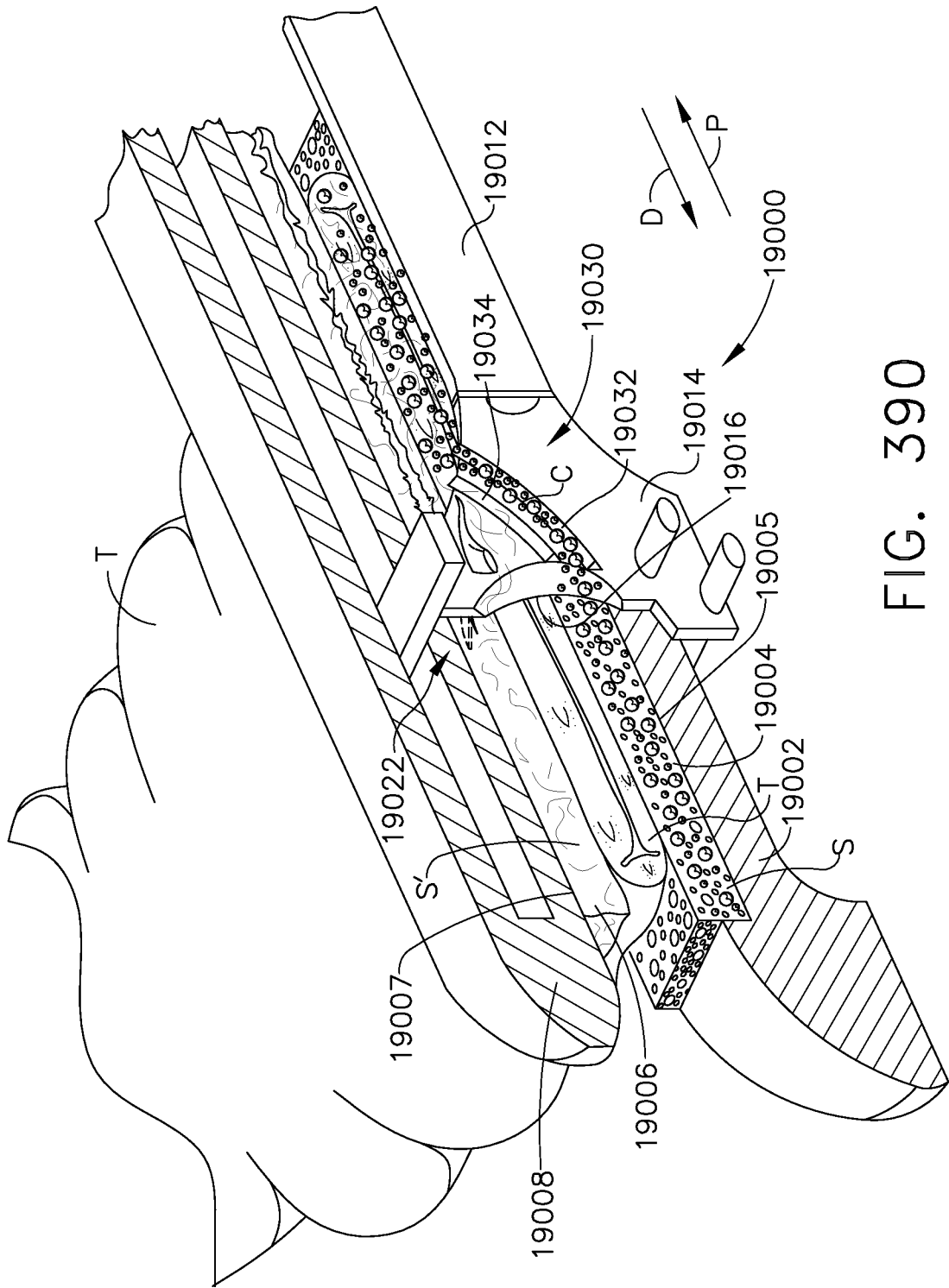


FIG. 390

224/301

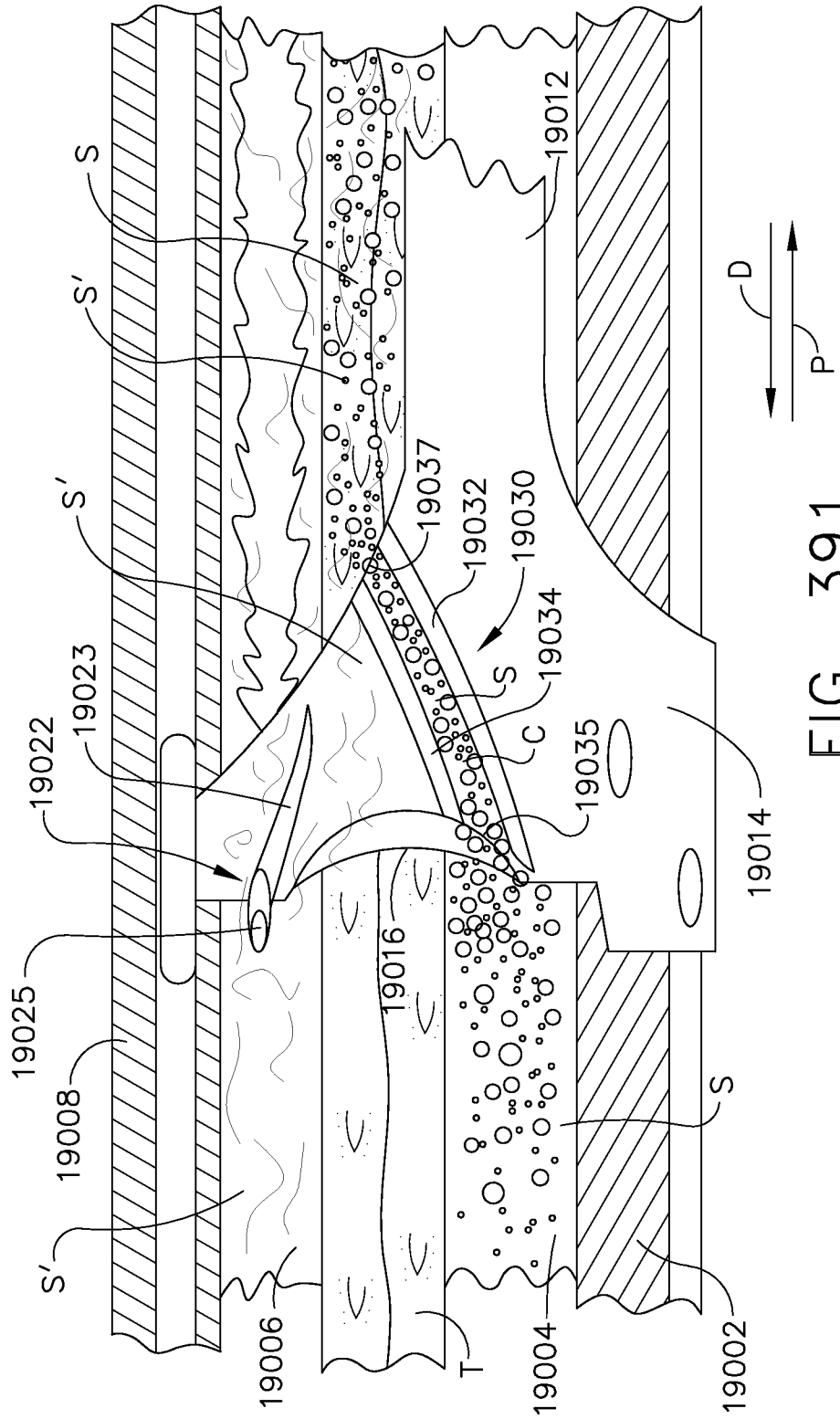


FIG. 391

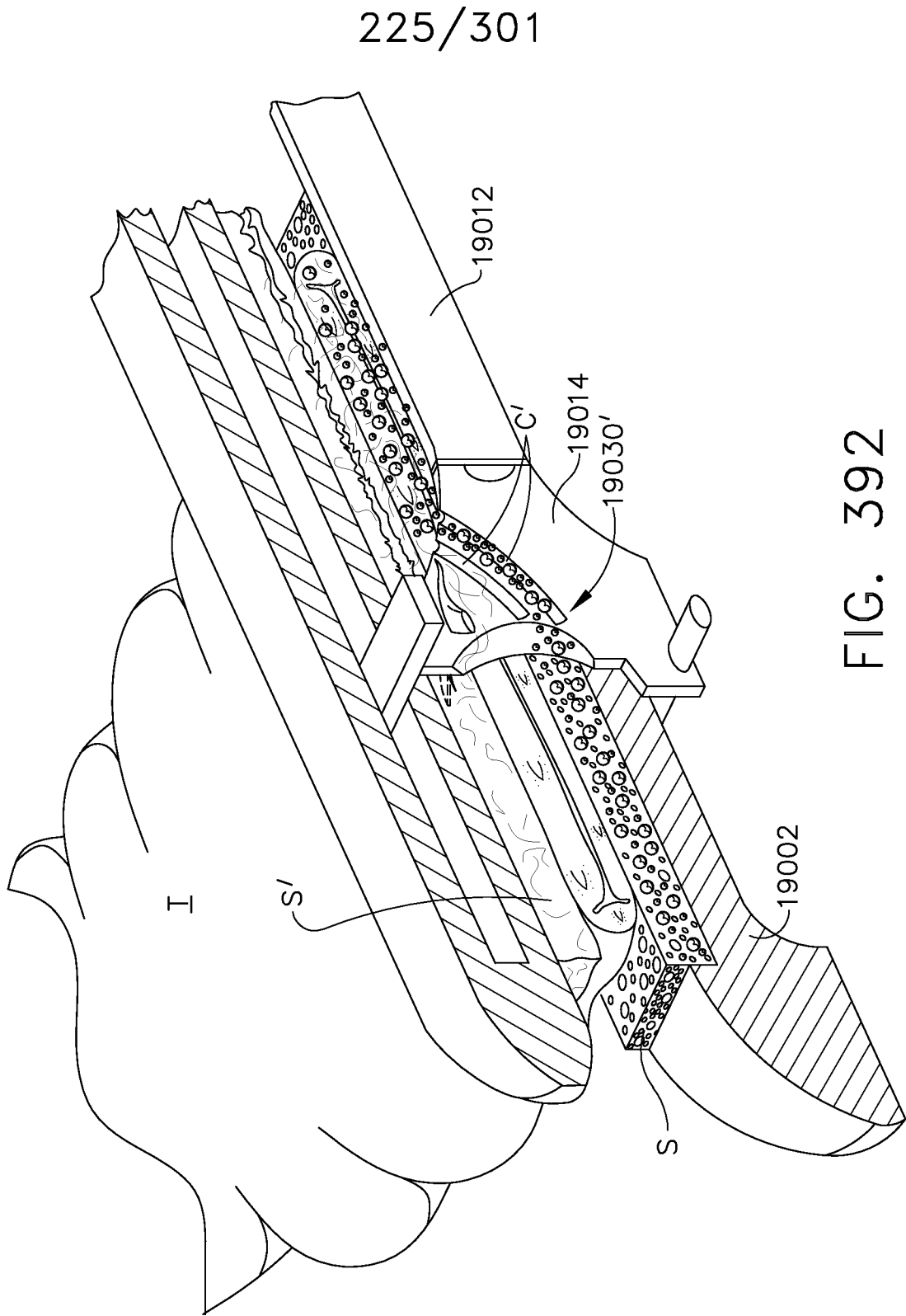


FIG. 392

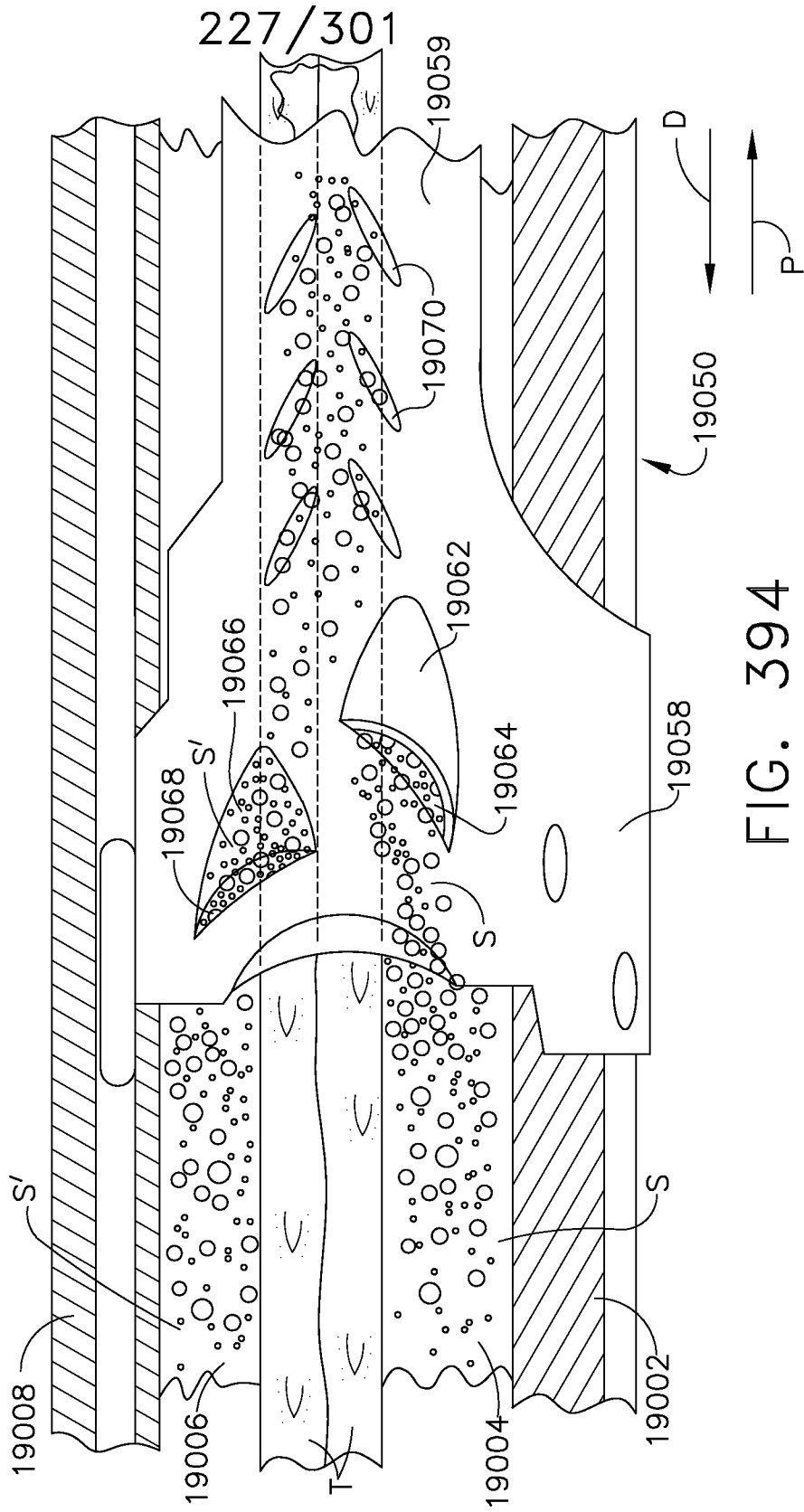


FIG. 394

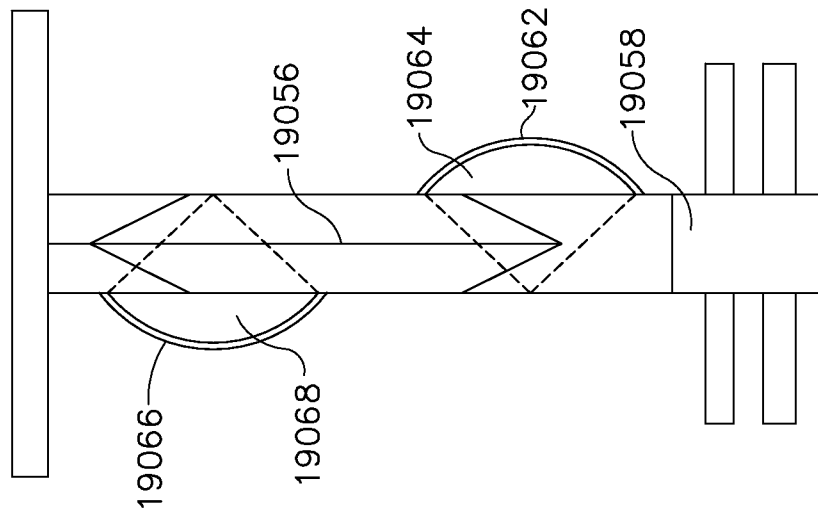


FIG. 395

228/301

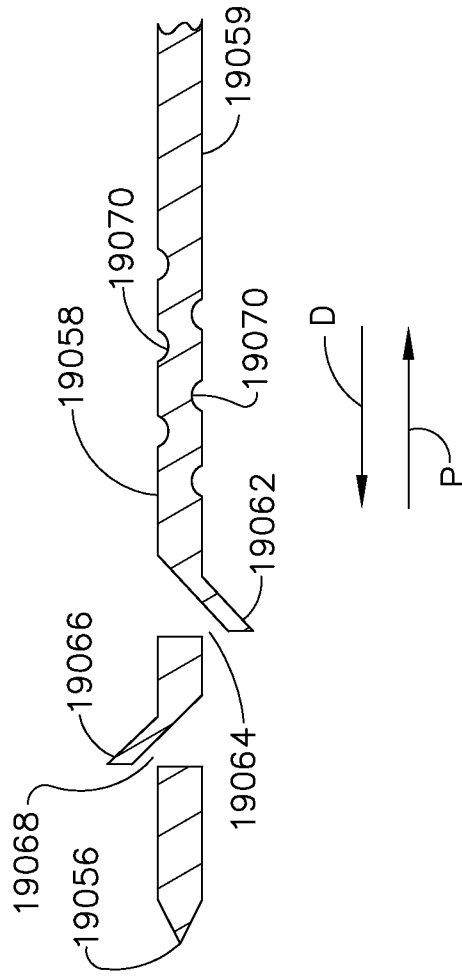


FIG. 396

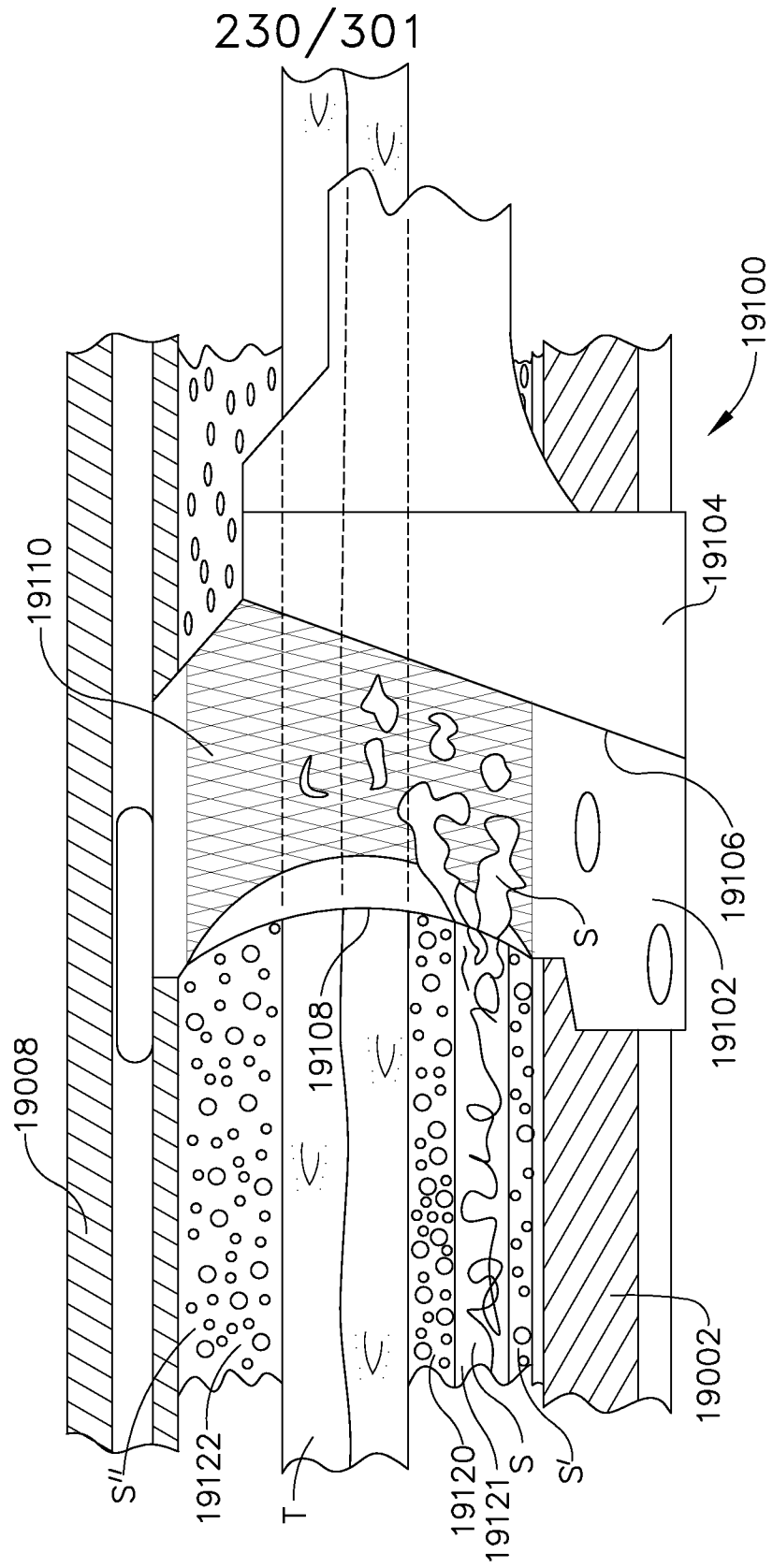


FIG. 398

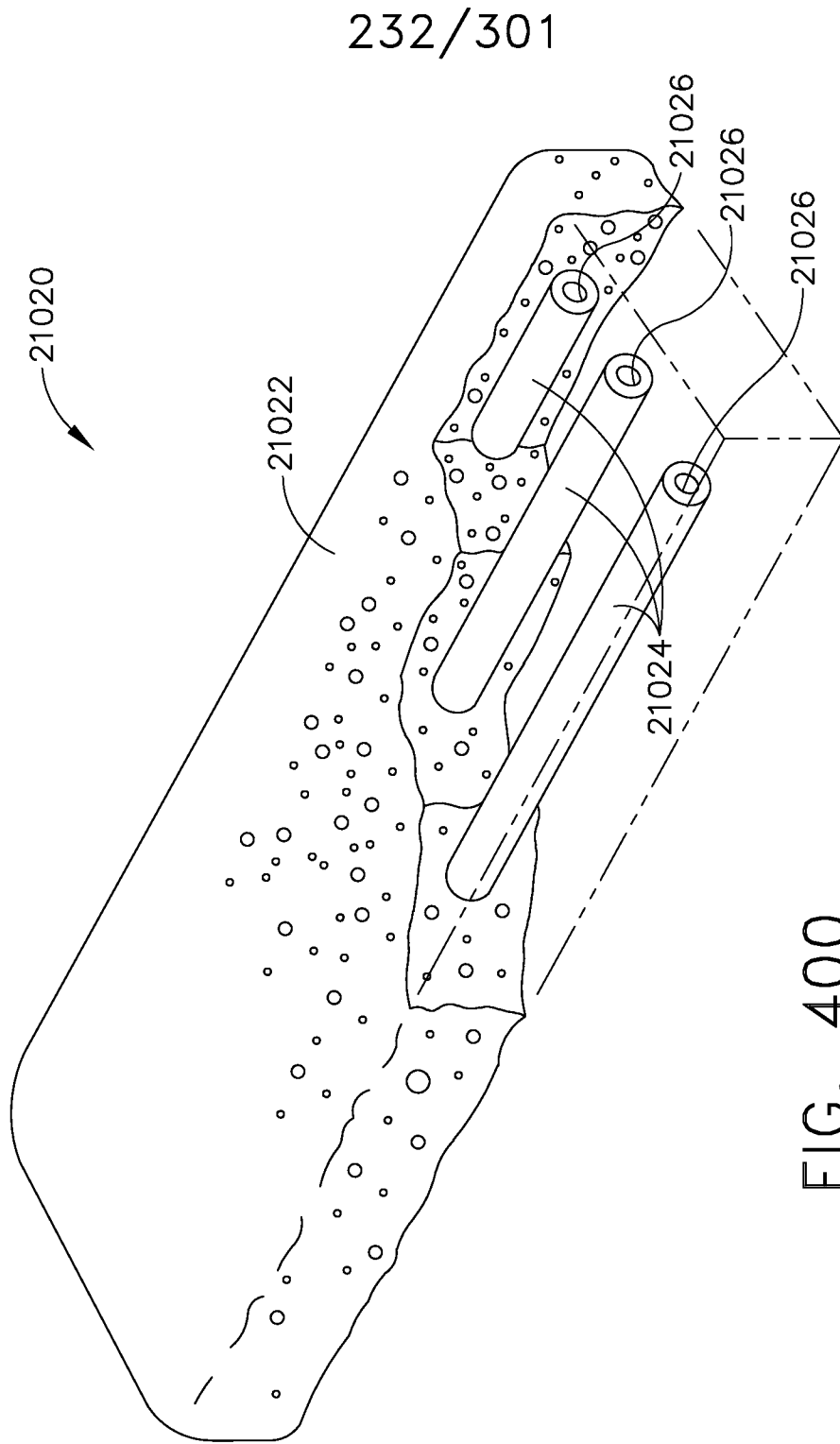


FIG. 400

233/301

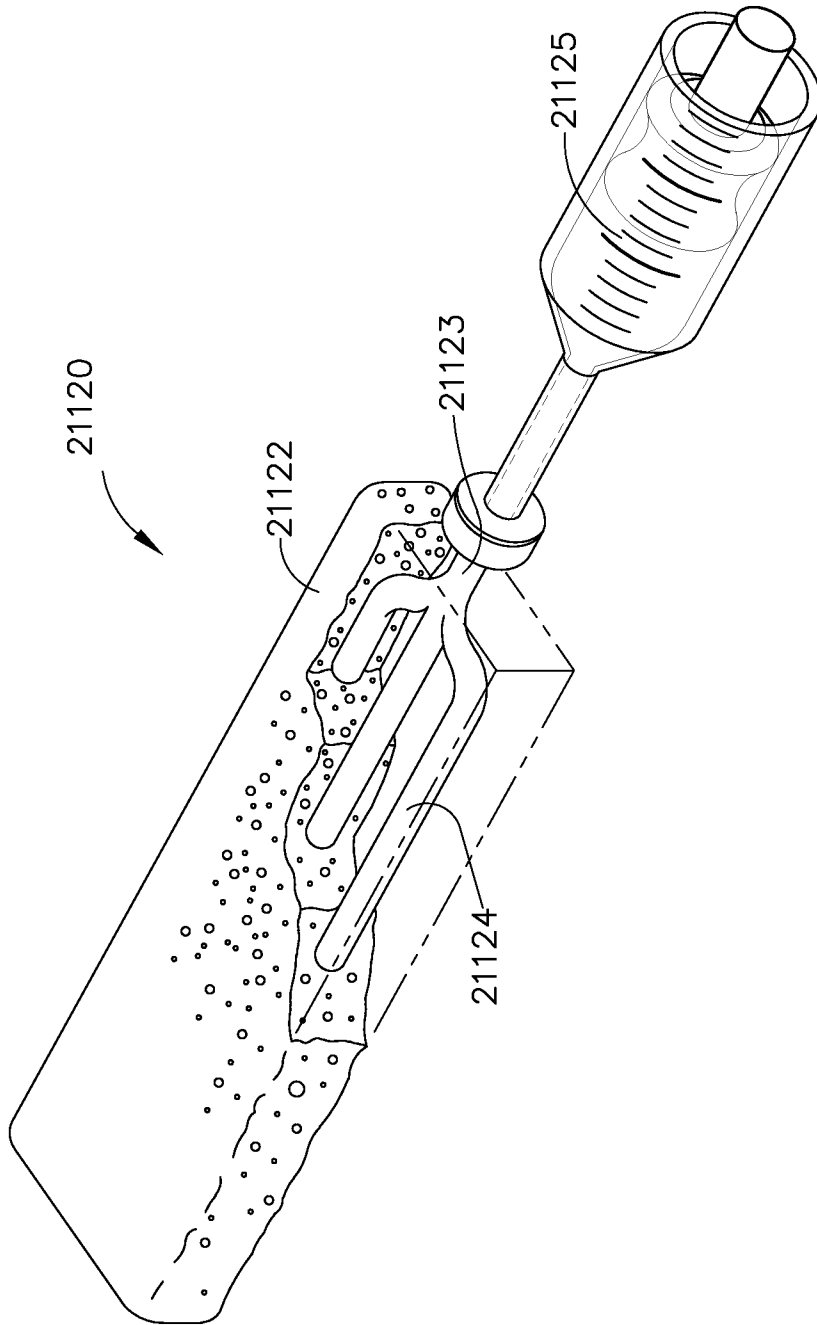


FIG. 401

234/301

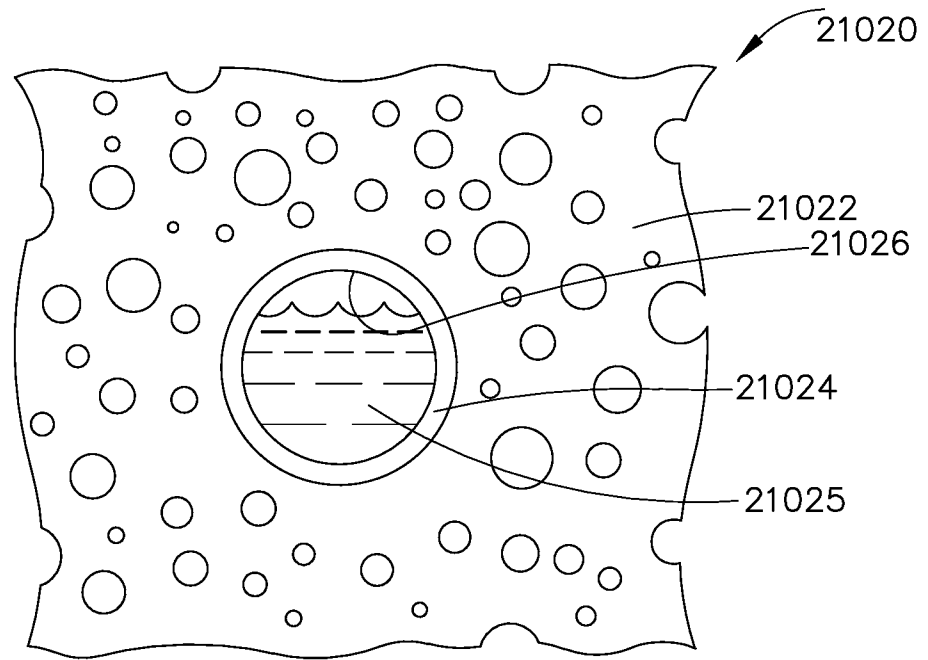


FIG. 402

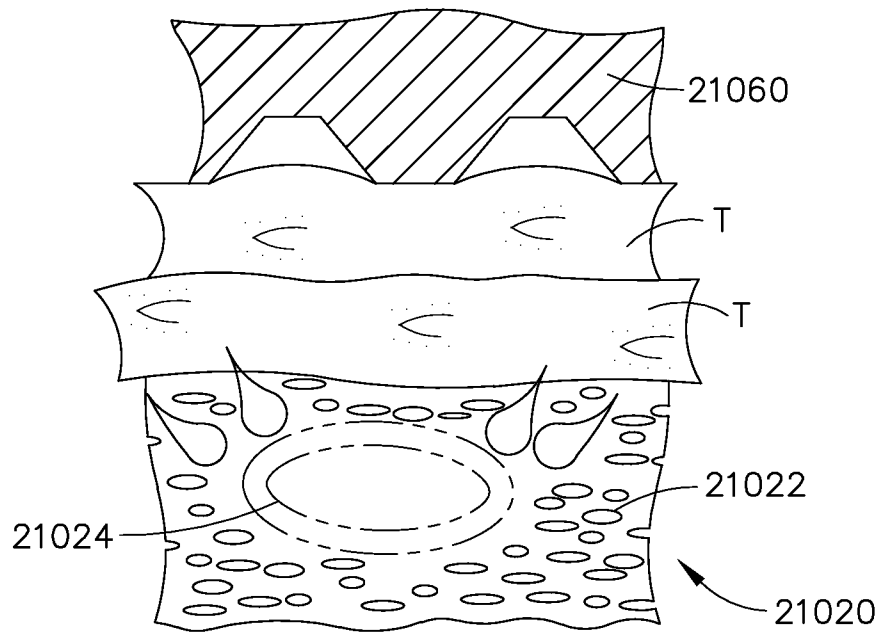


FIG. 403

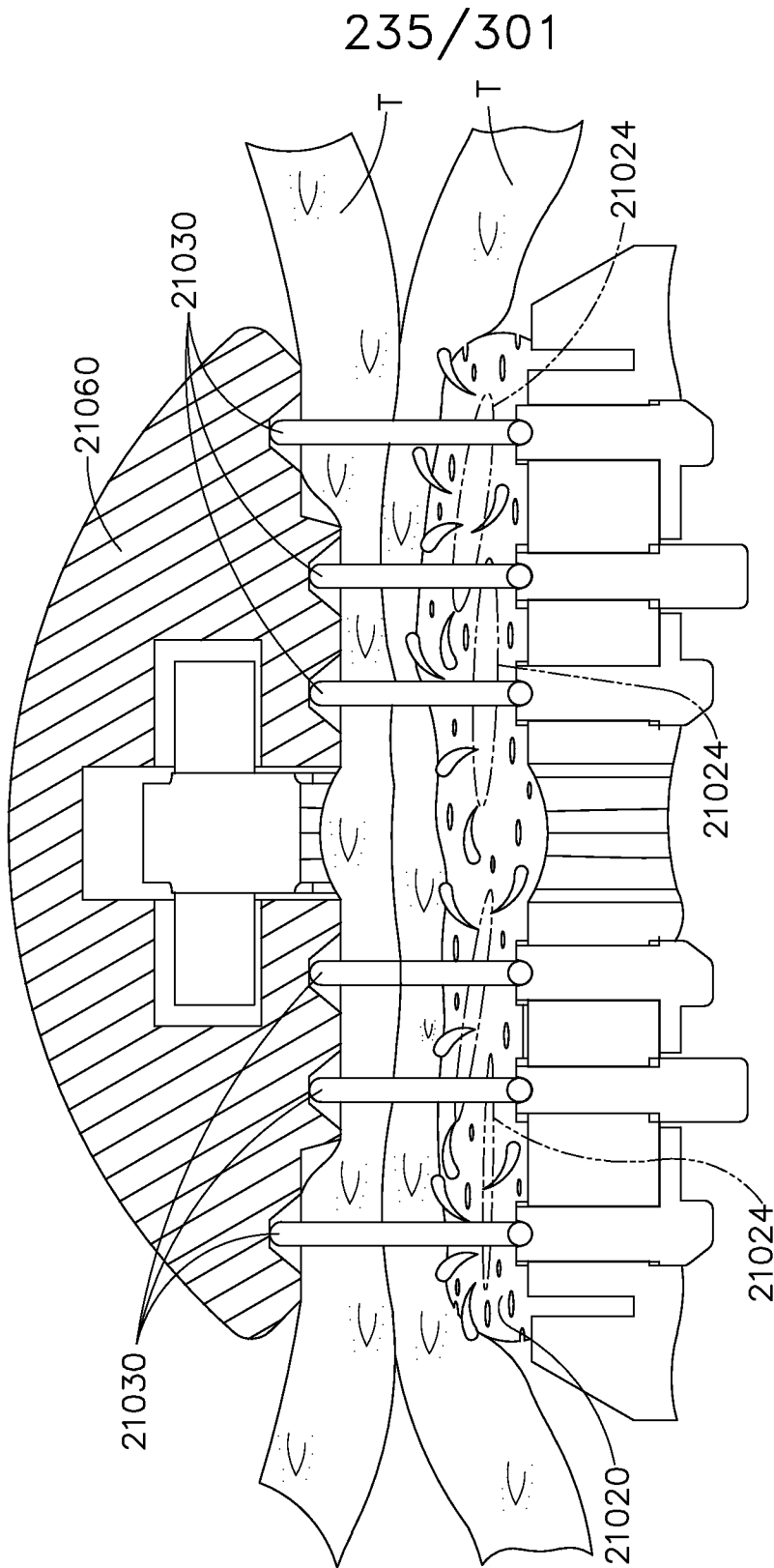


FIG. 404

236/301

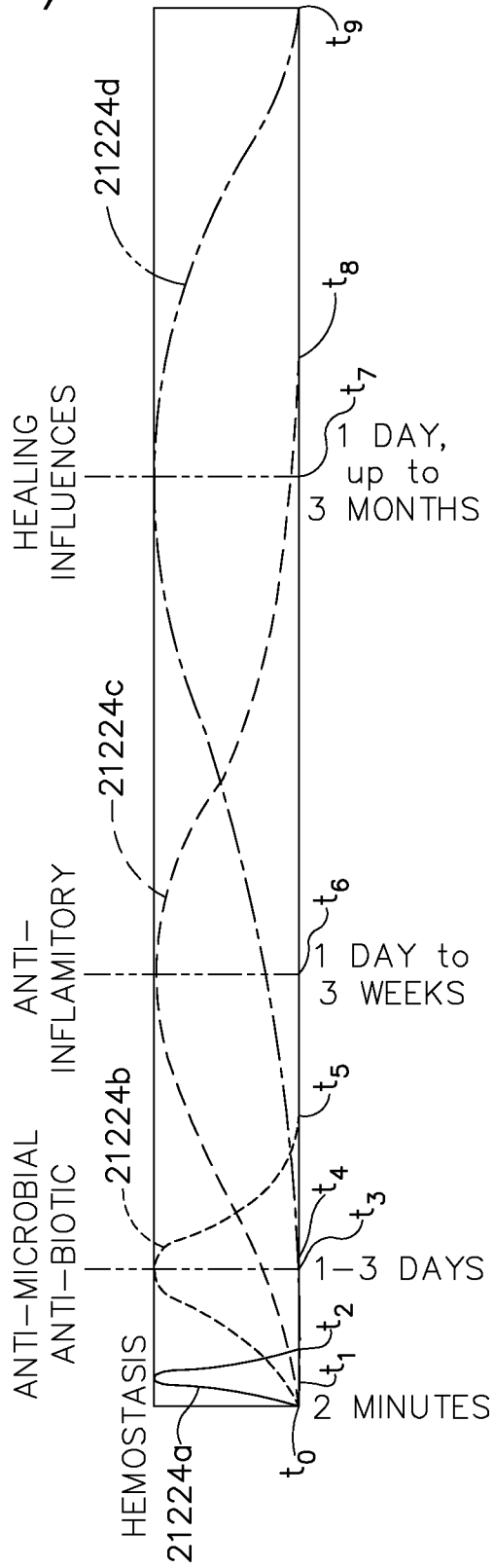


FIG. 405

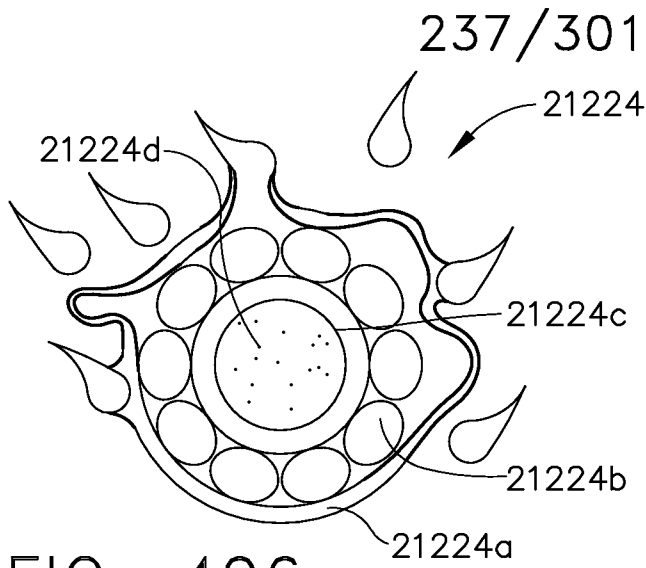


FIG. 406

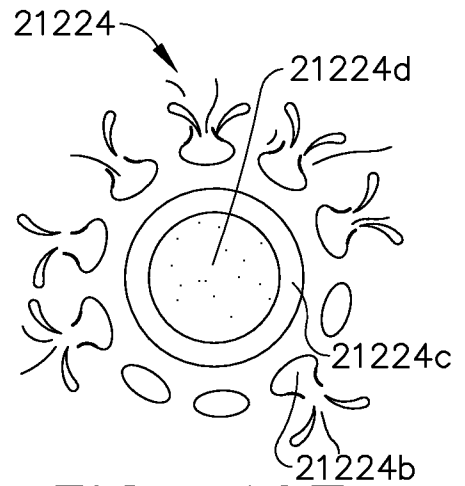


FIG. 407

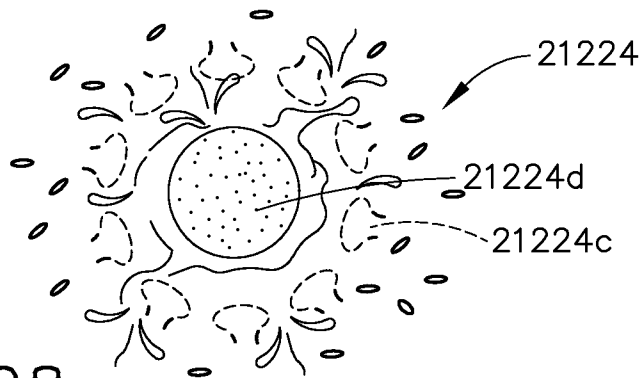


FIG. 408

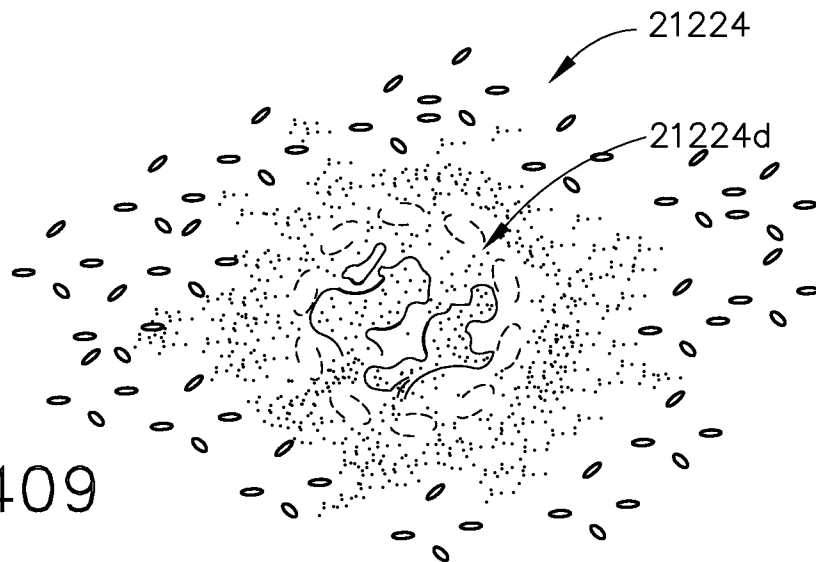


FIG. 409

238/301

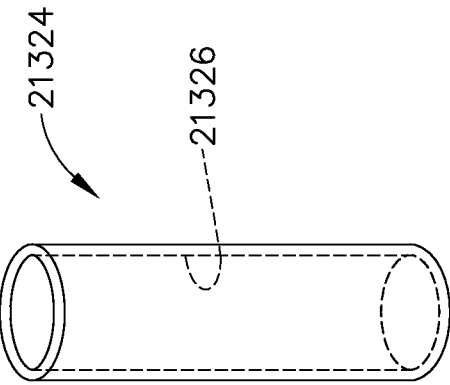
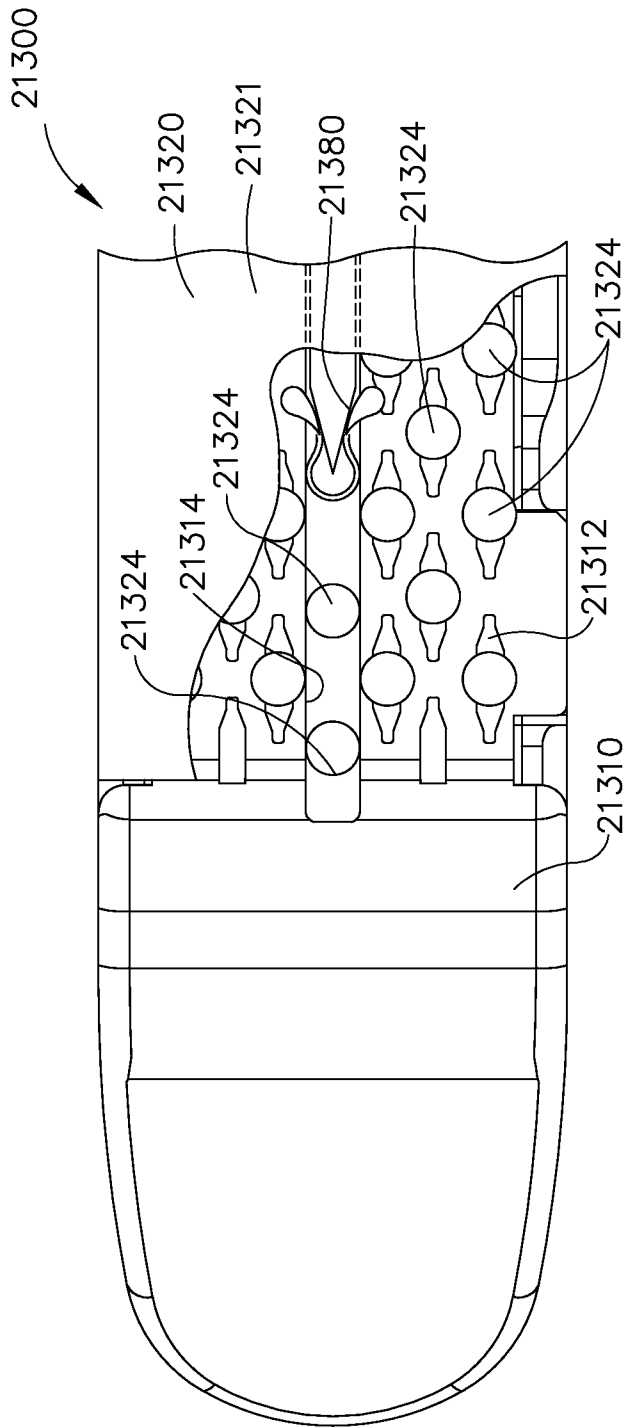


FIG. 410

FIG. 411

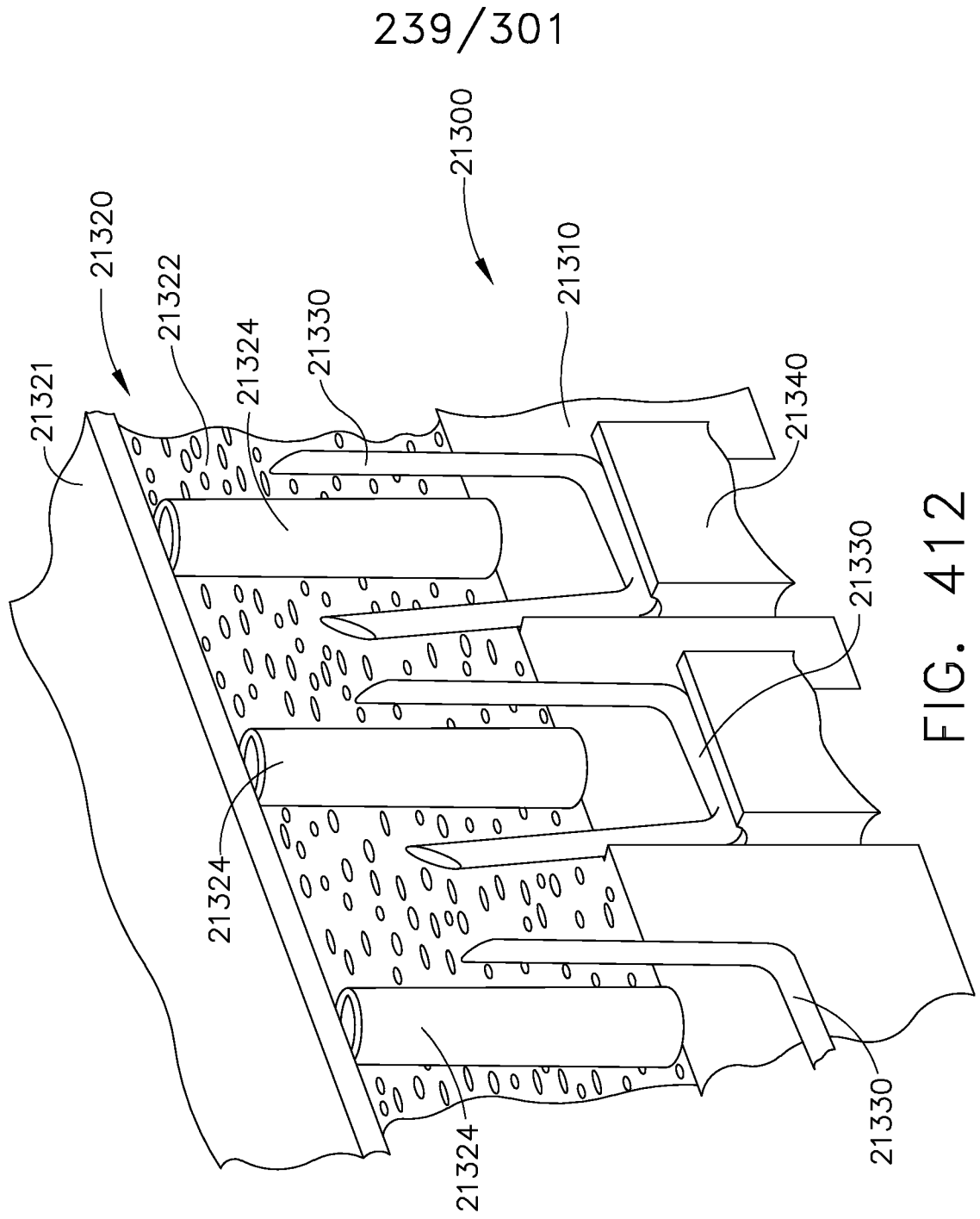


FIG. 412

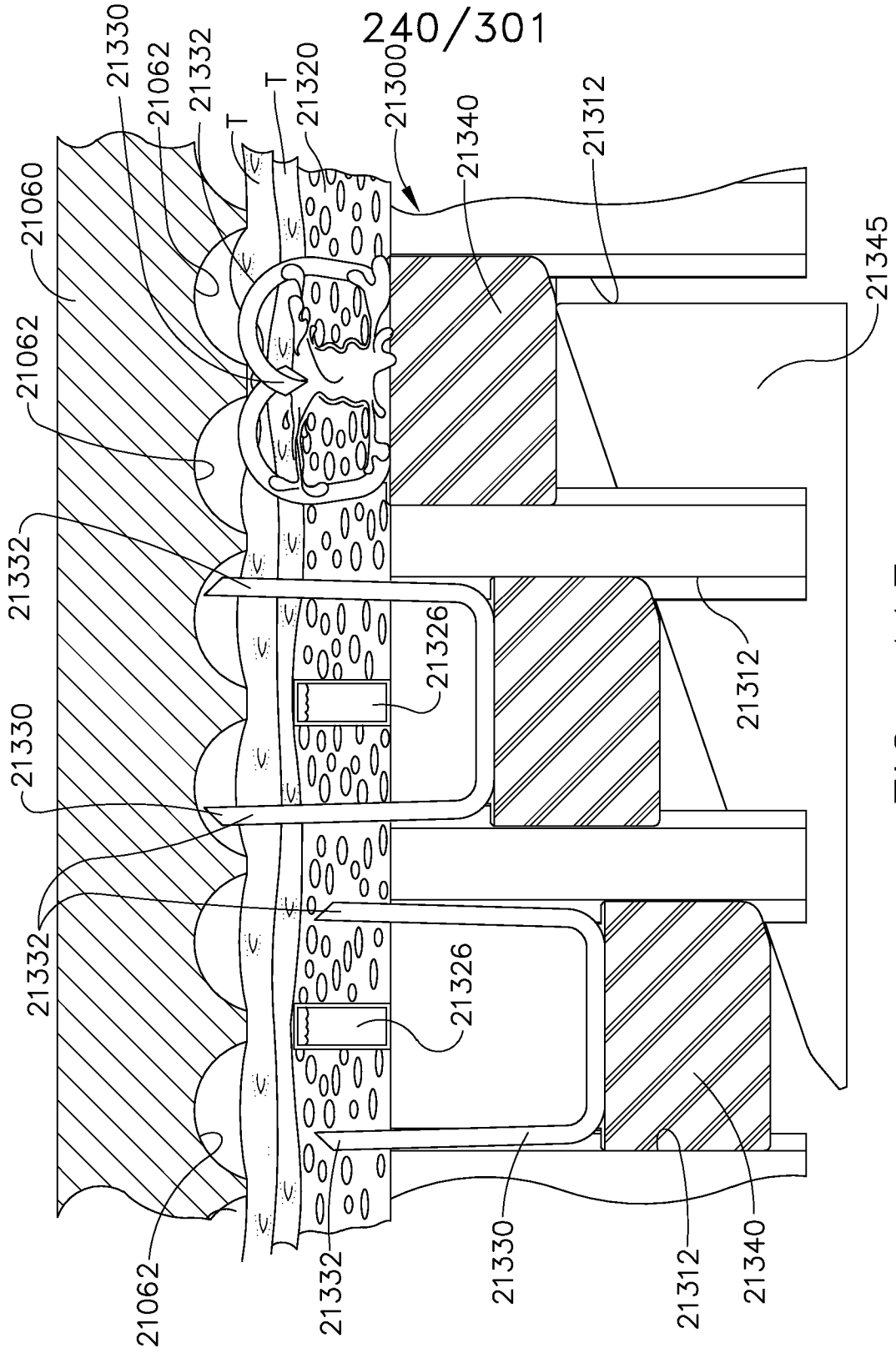


FIG. 413

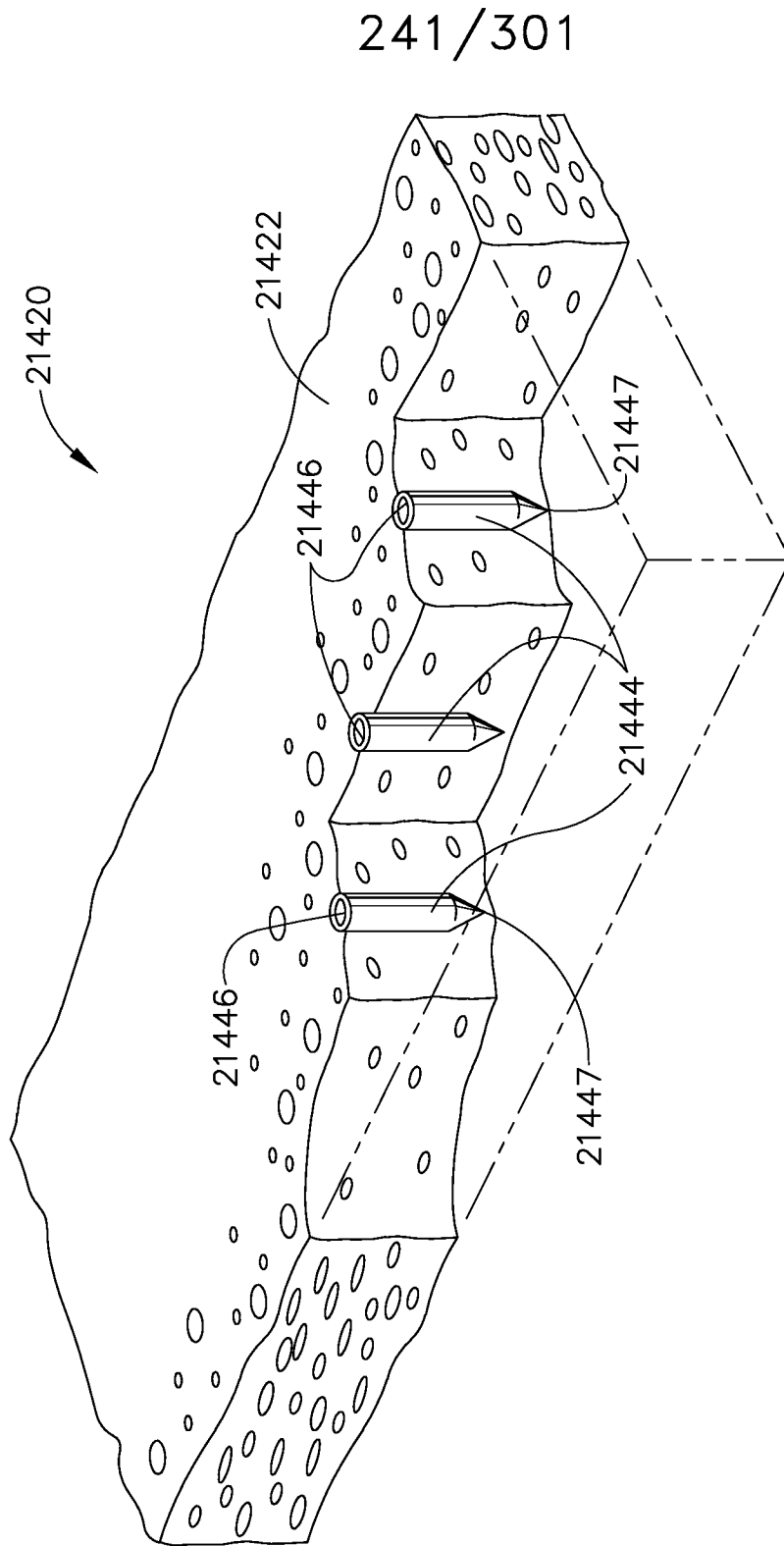


FIG. 414

242/301

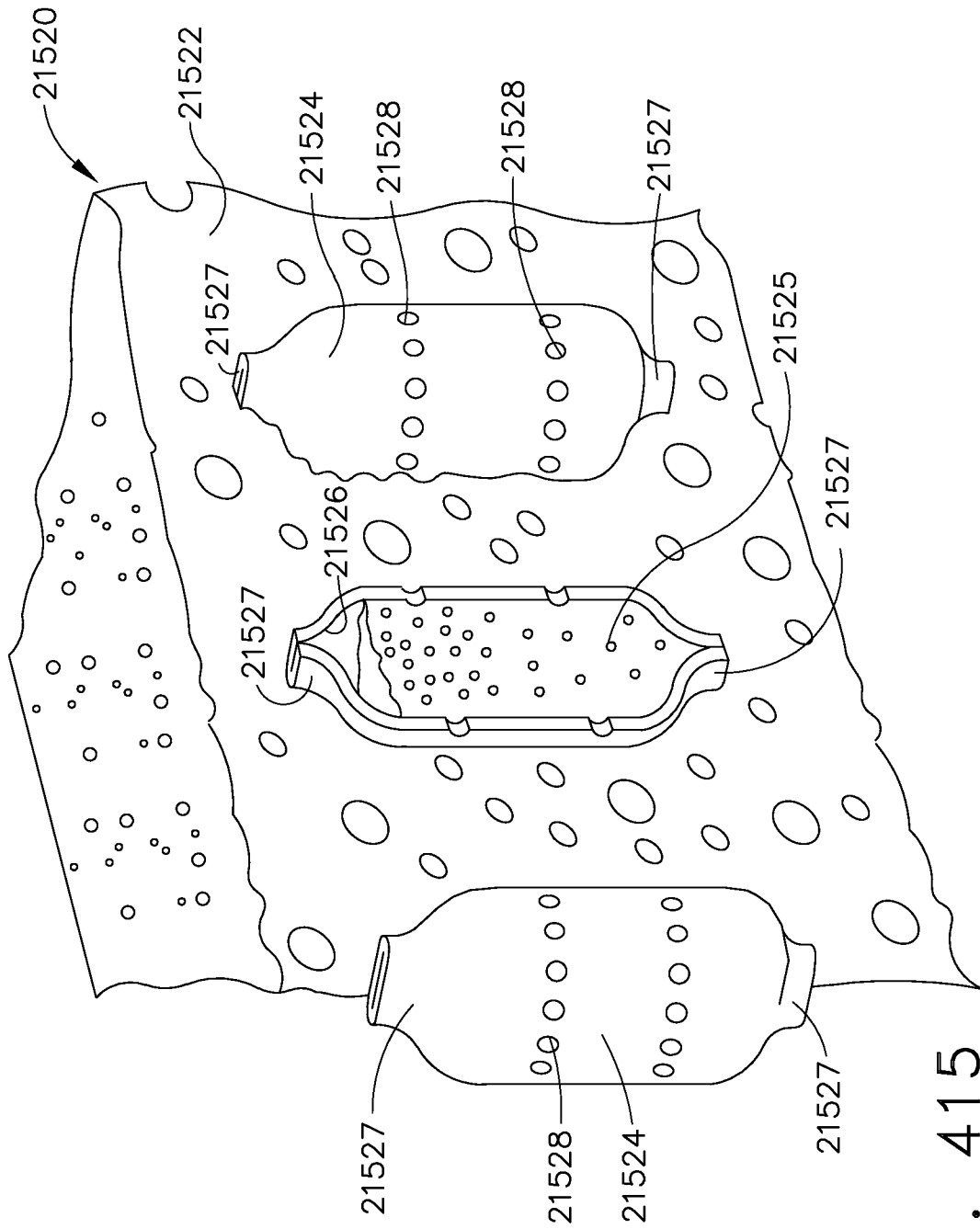


FIG. 415

243/301

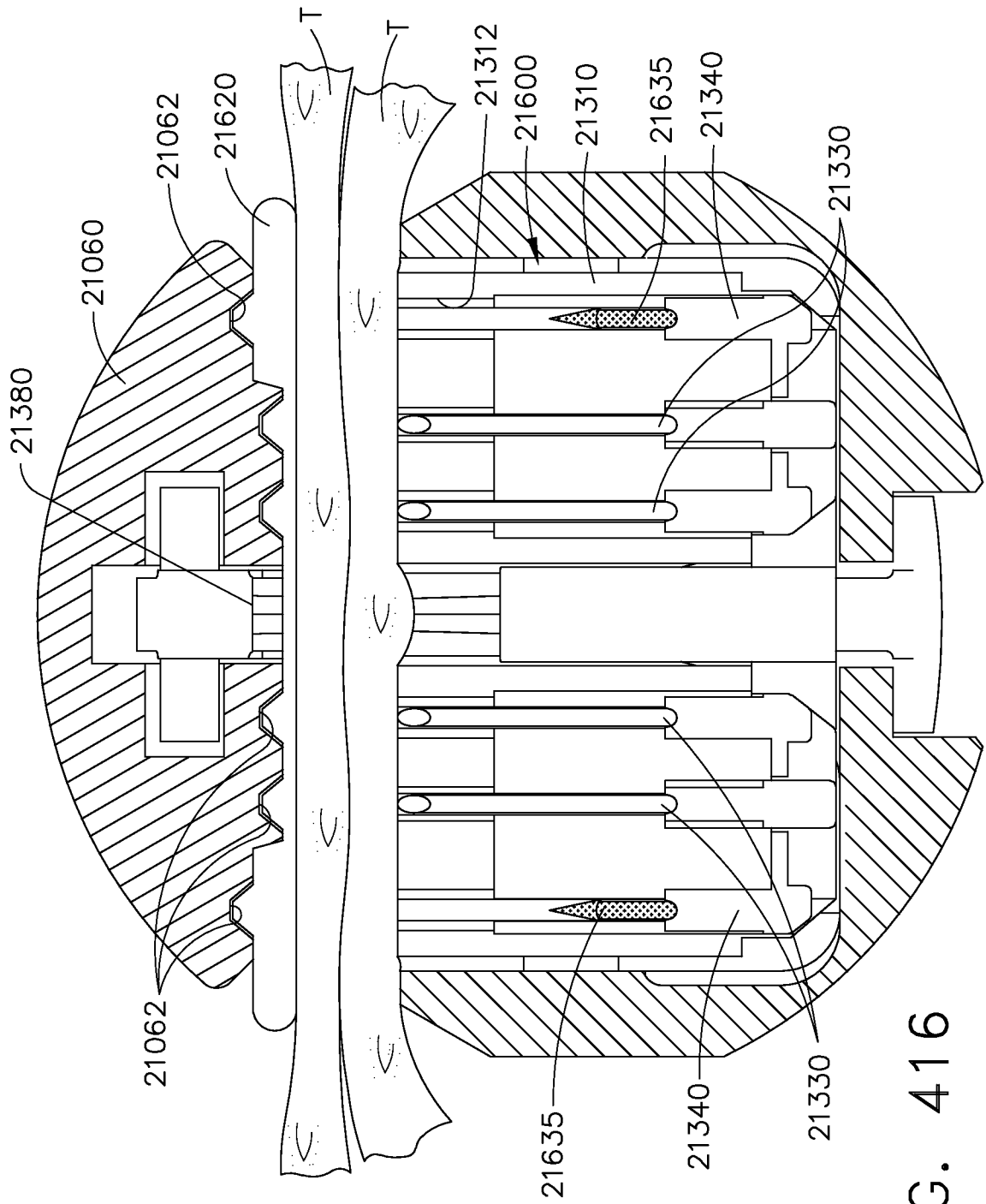


FIG. 416

244/301

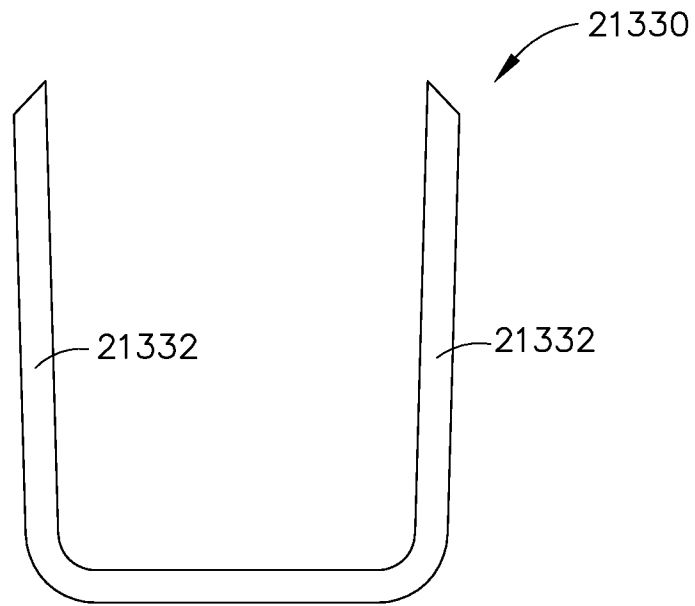


FIG. 417

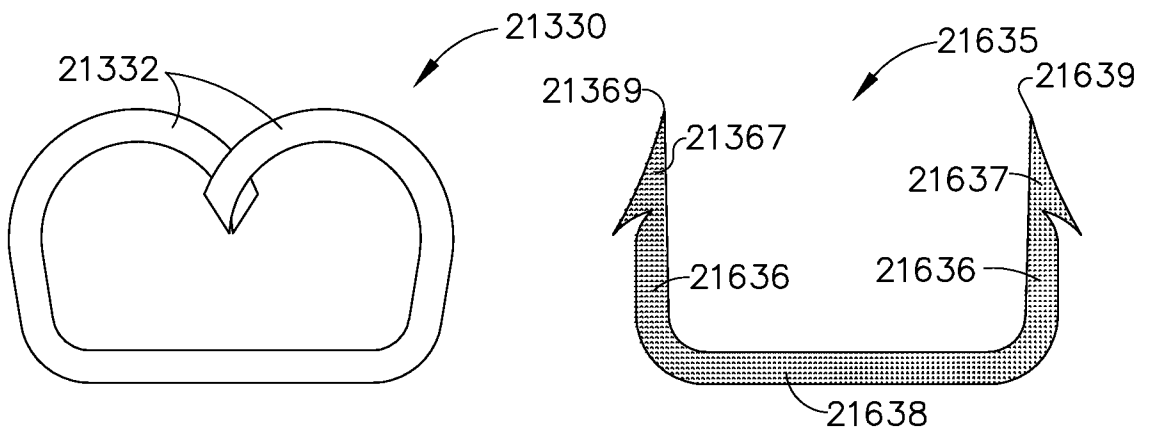


FIG. 418

FIG. 419

245/301

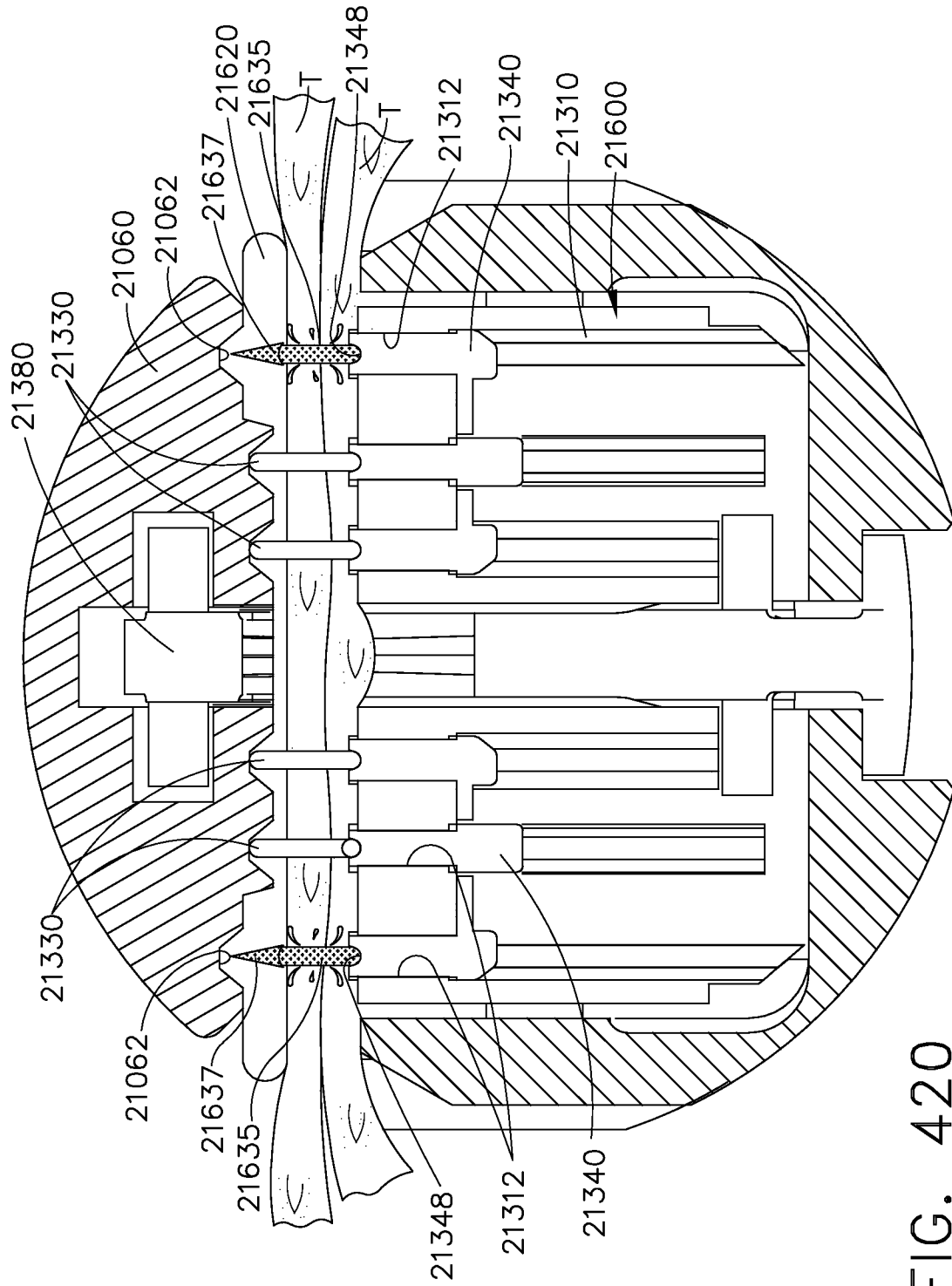


FIG. 420

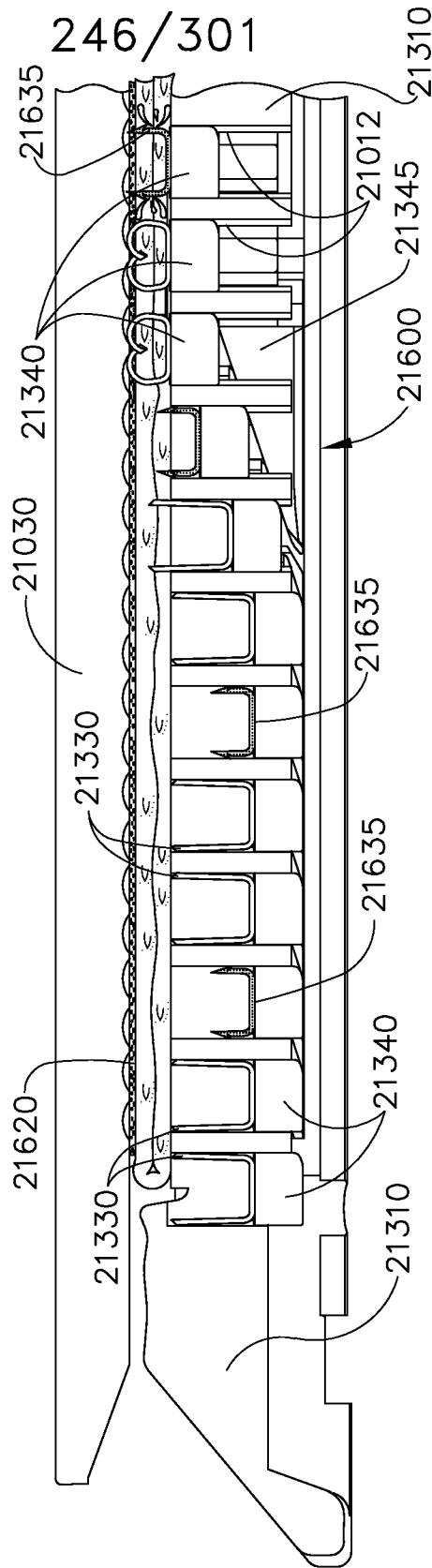


FIG. 421

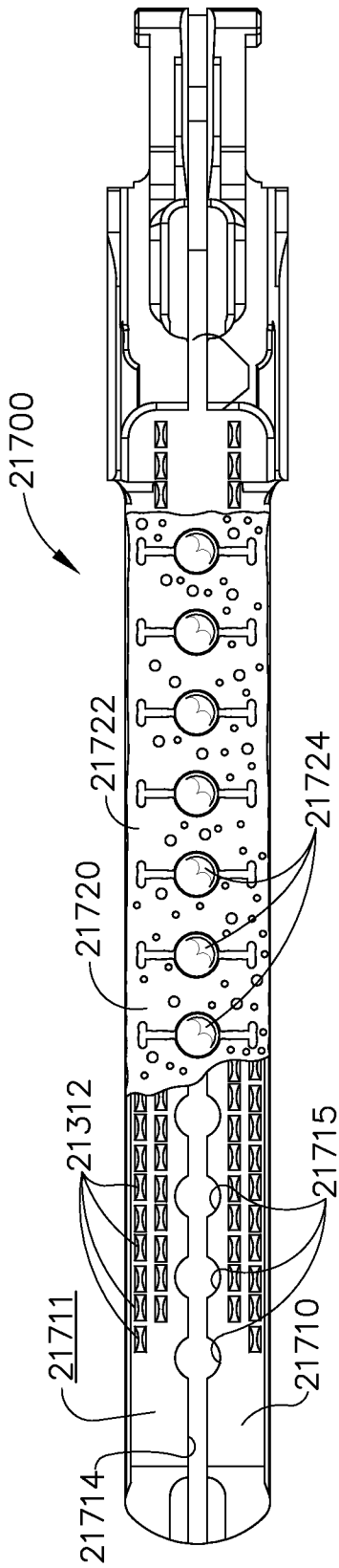


FIG. 422

247/301

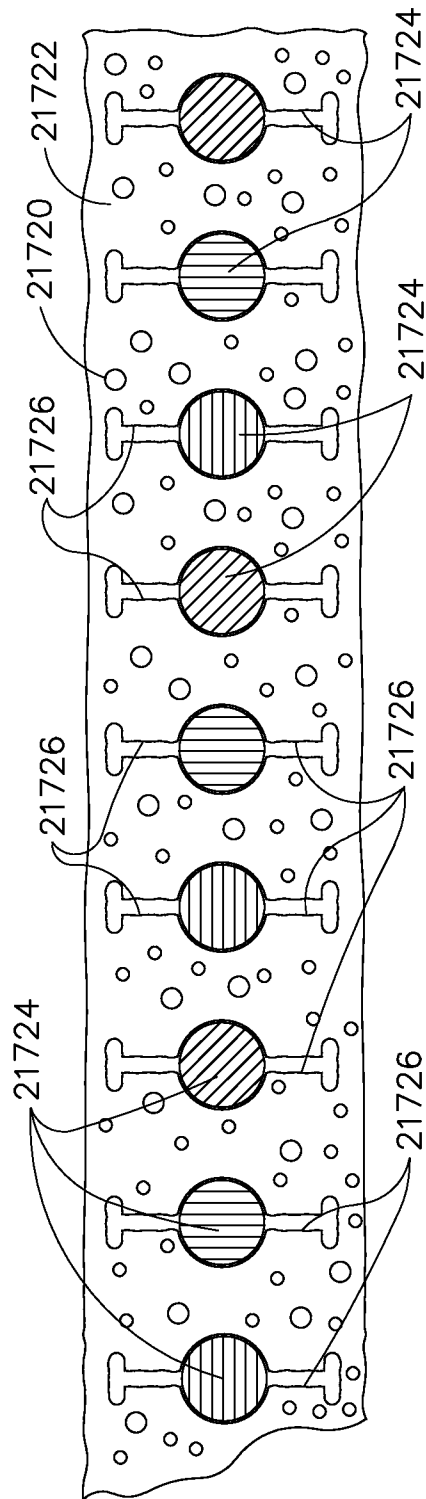


FIG. 423

248/301

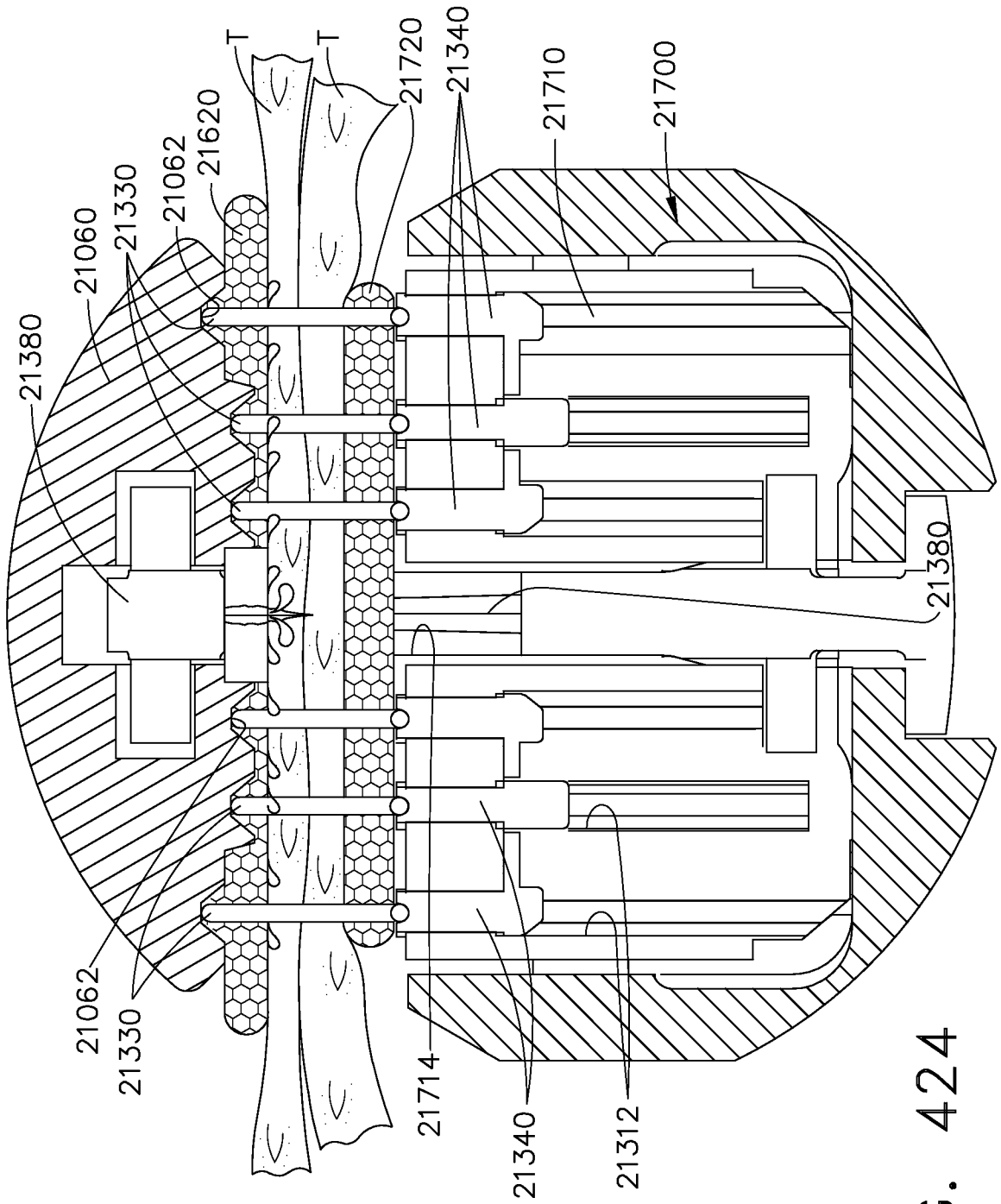


FIG. 424

249/301

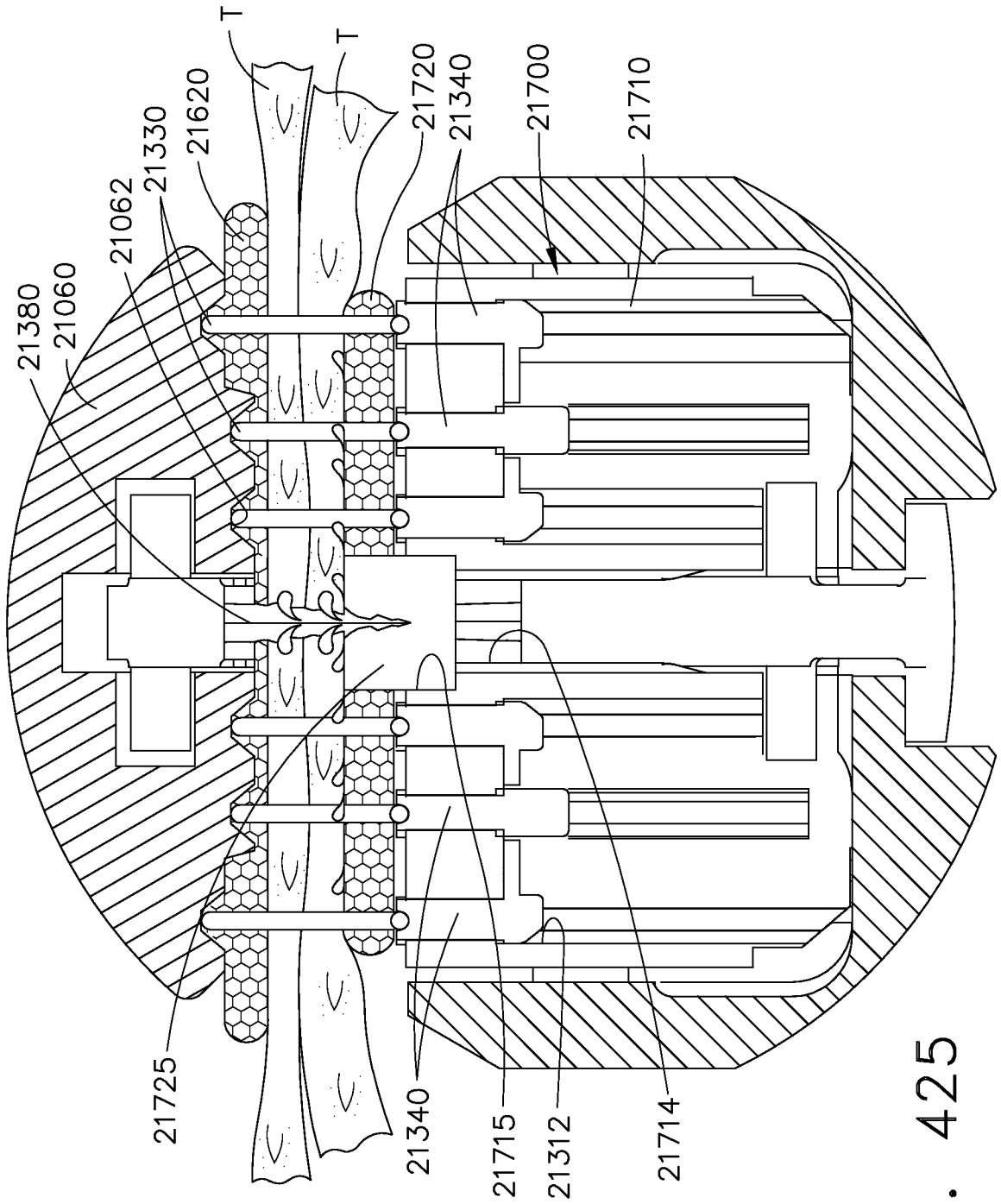


FIG. 425

250/301

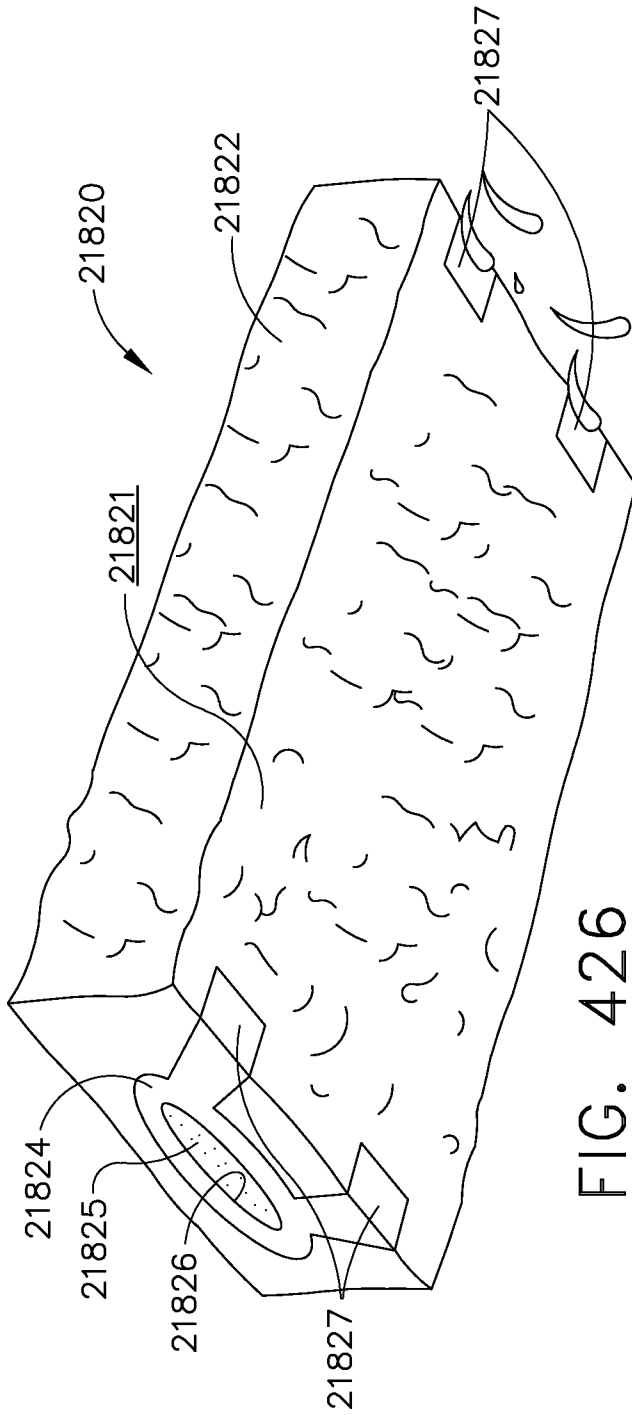


FIG. 426

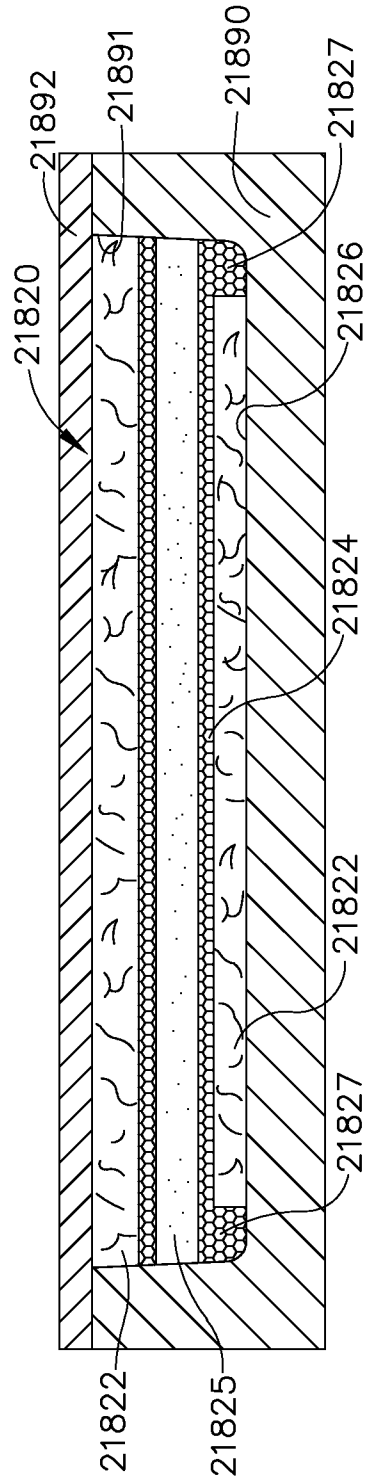


FIG. 427

251/301

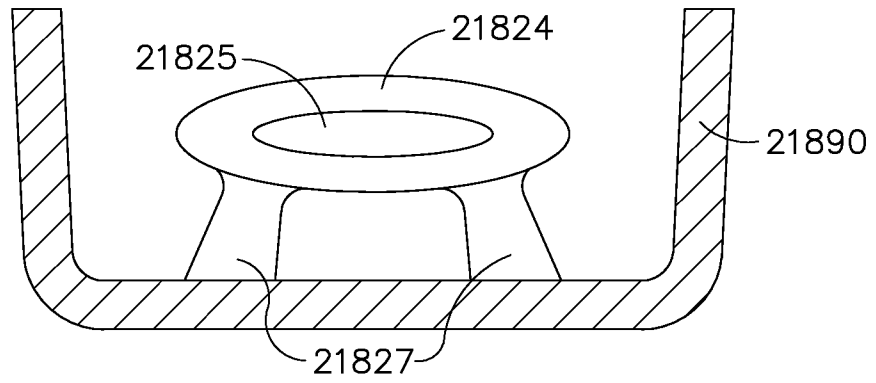


FIG. 428

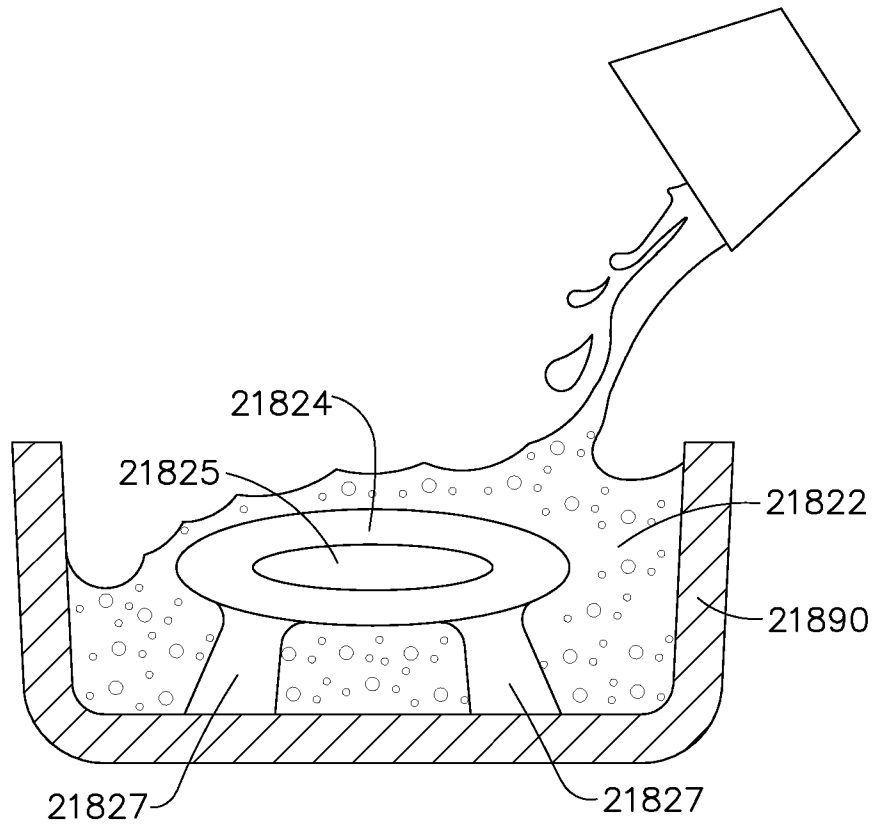


FIG. 429

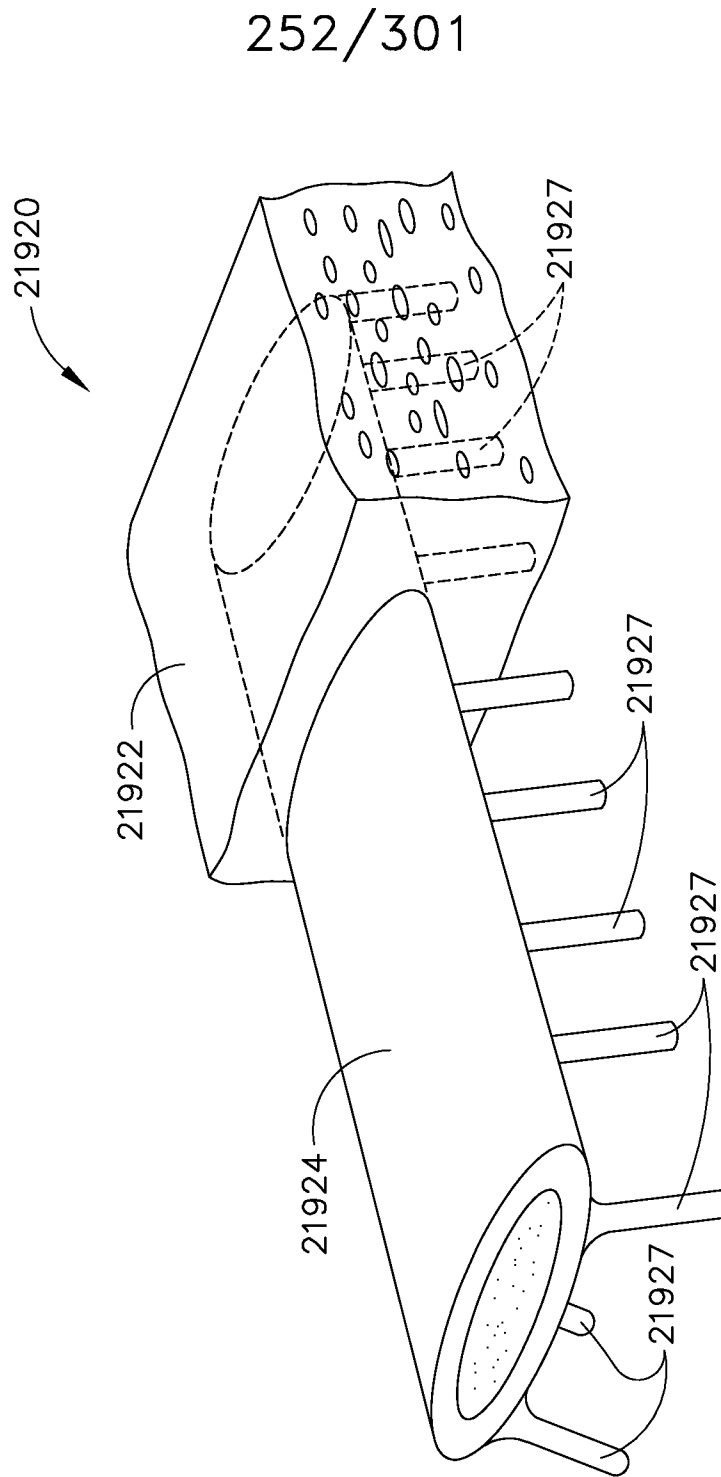


FIG. 430

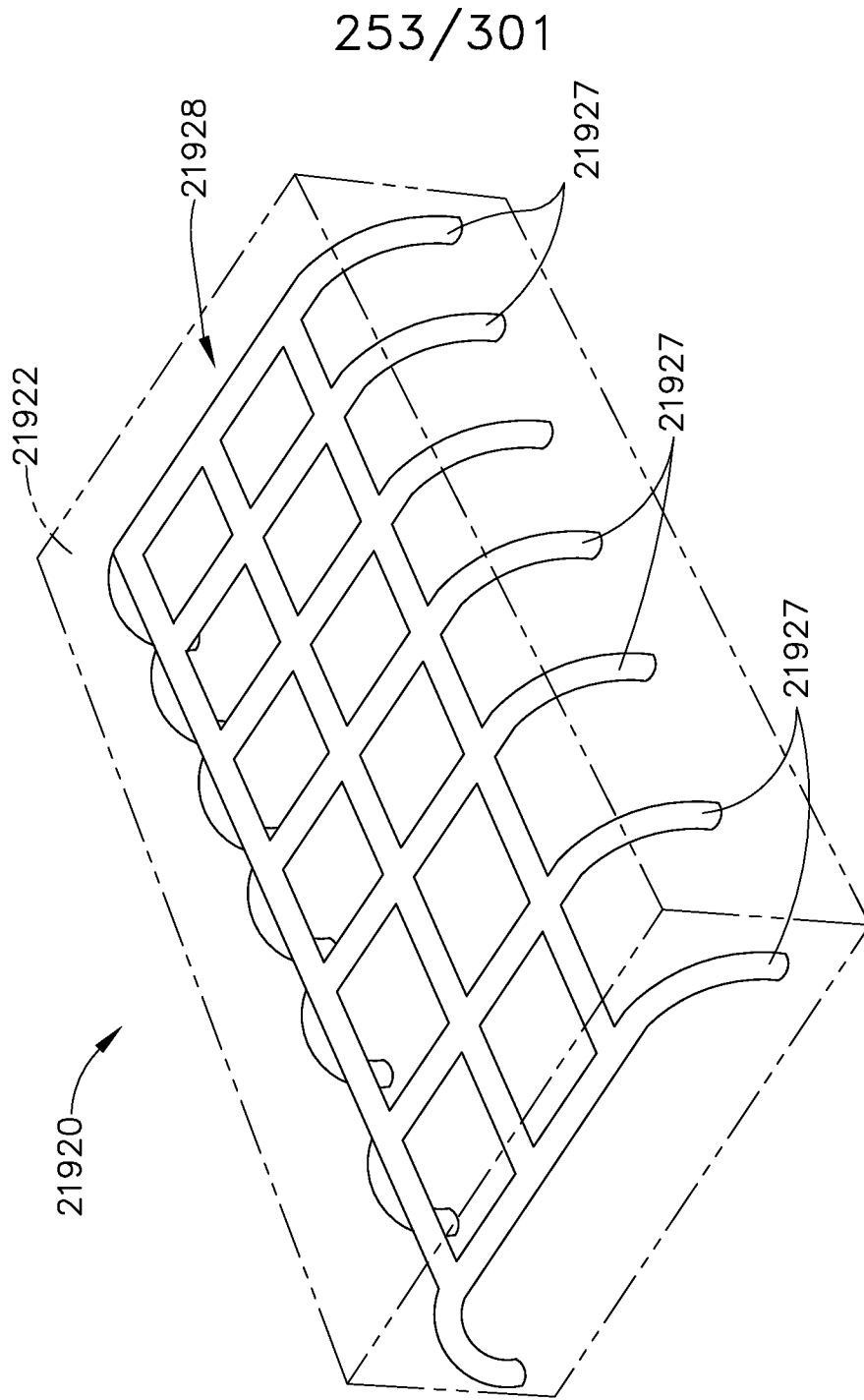
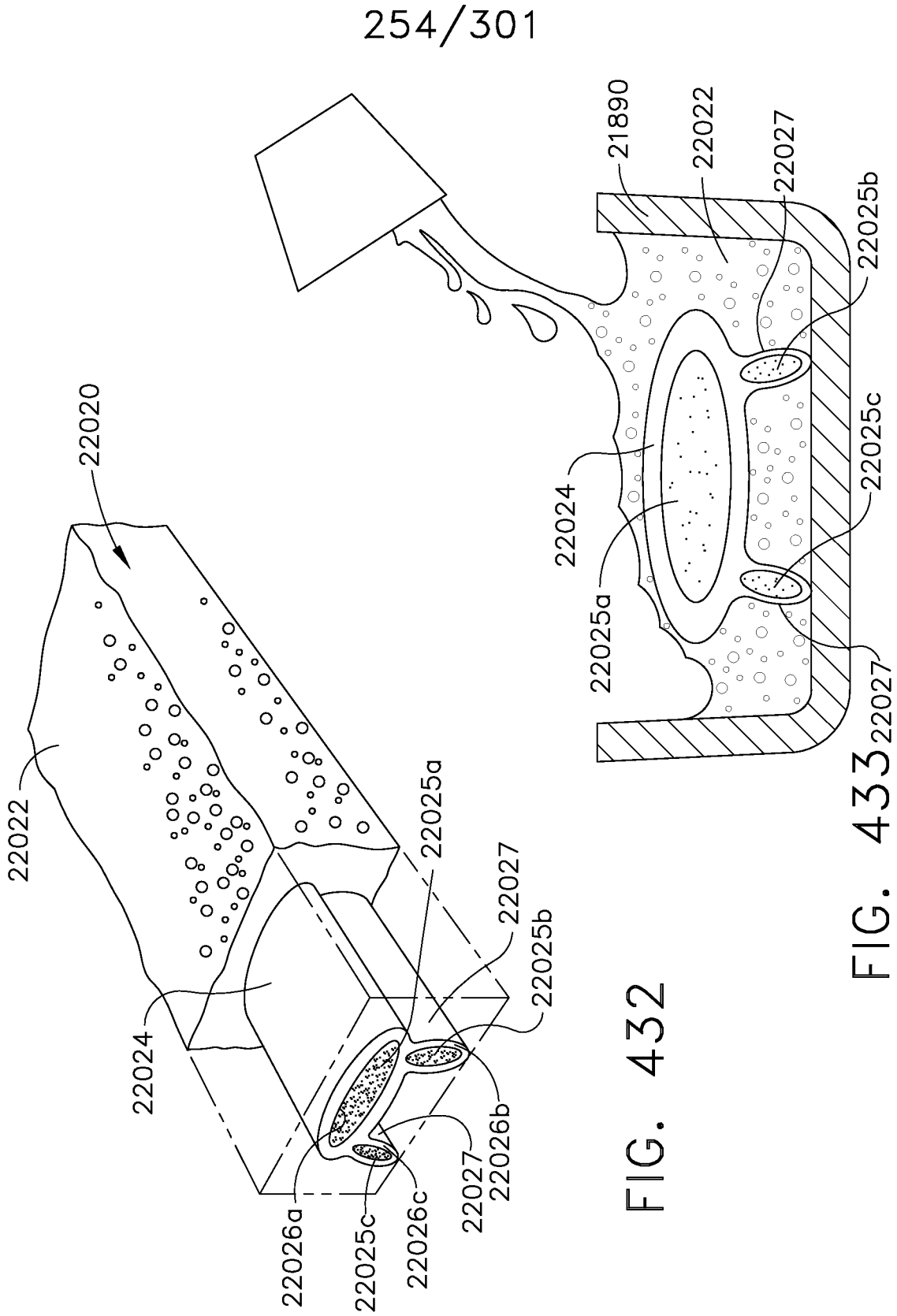


FIG. 431



255/301

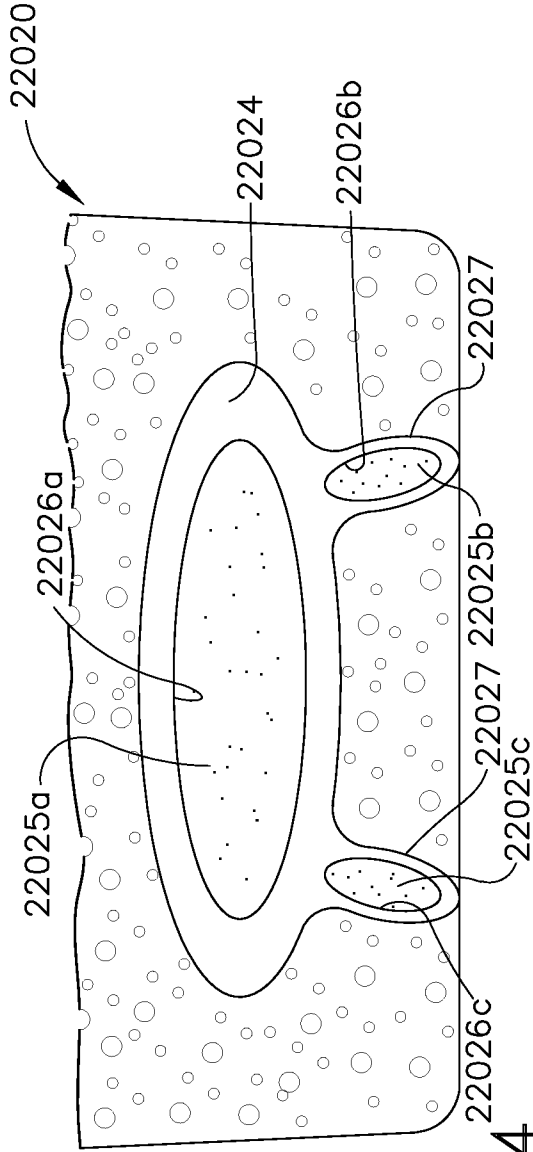


FIG. 434

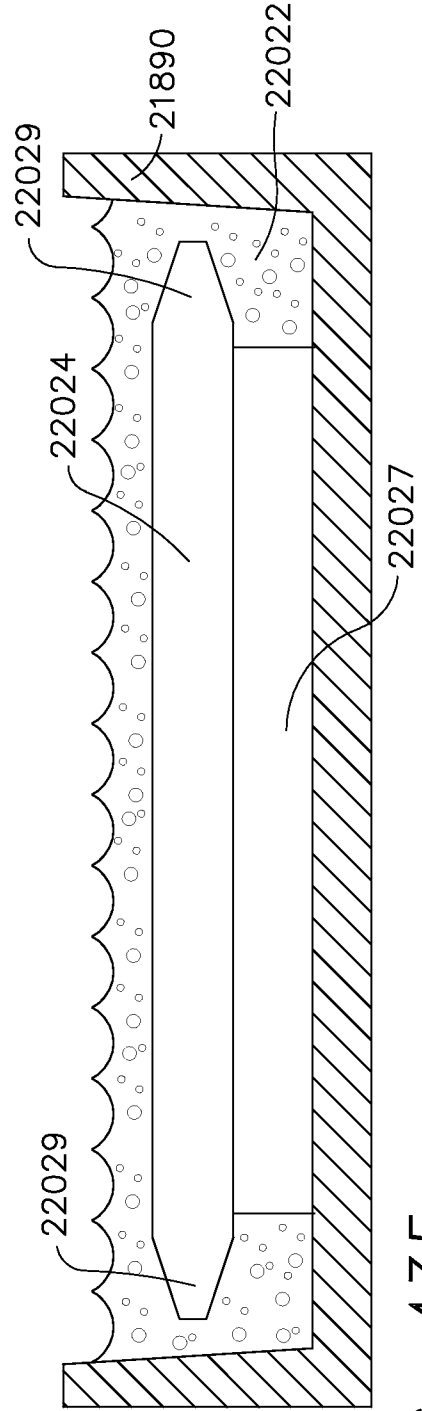


FIG. 435

256/301

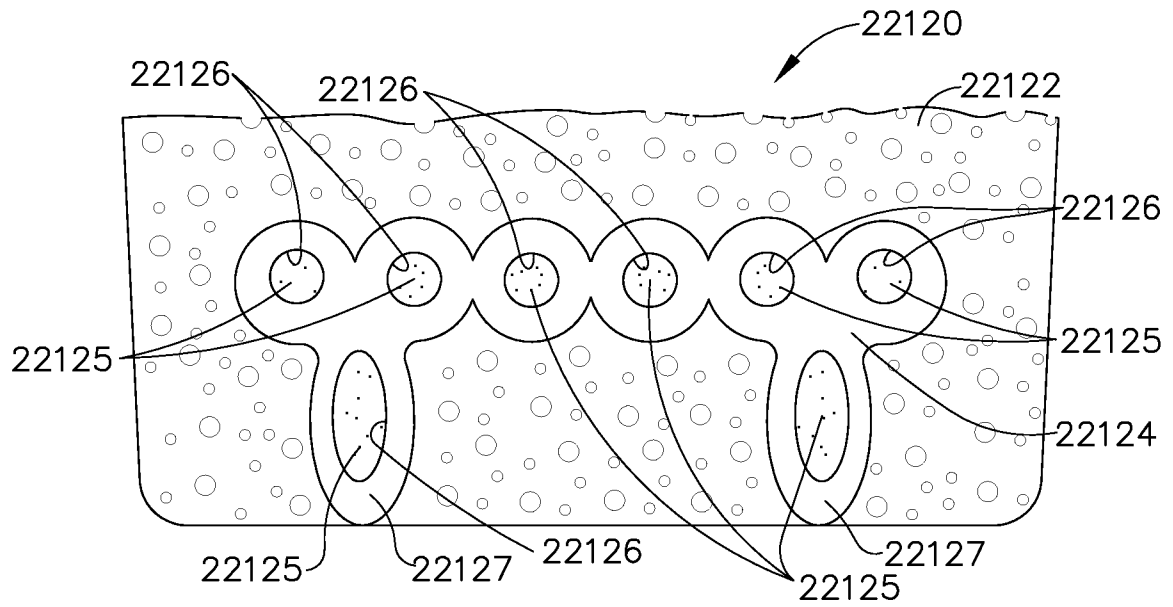


FIG. 436

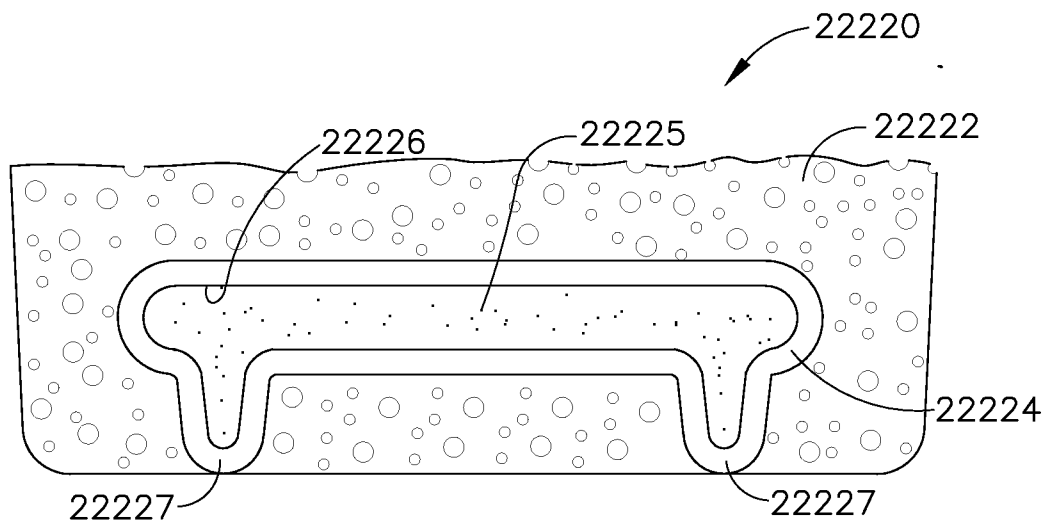


FIG. 437

257/301

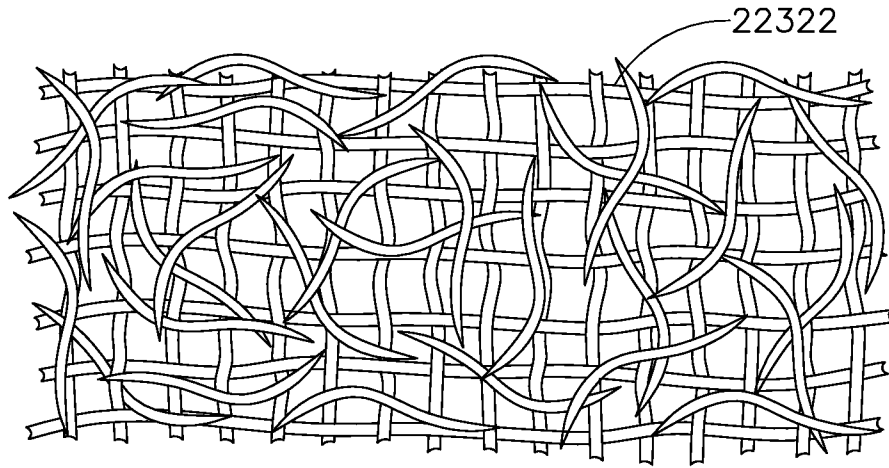


FIG. 438



FIG. 439

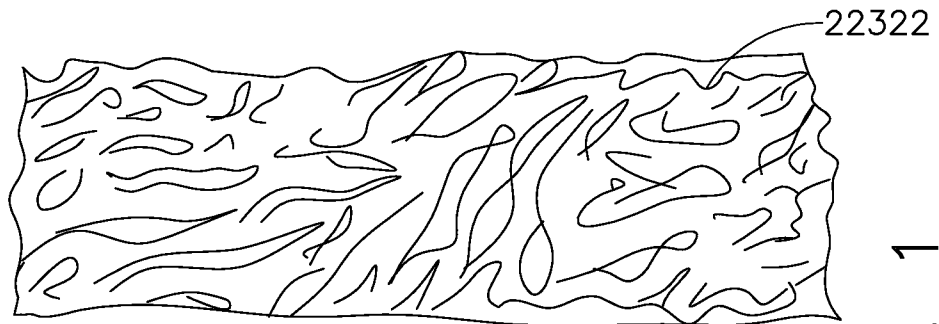


FIG. 440

FIG. 1

259/301

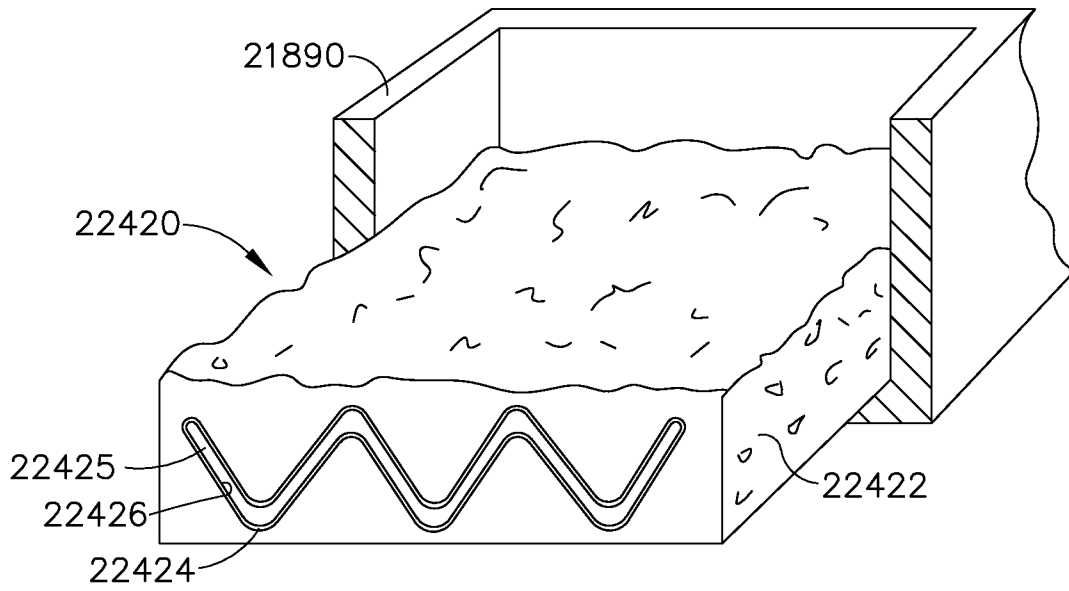


FIG. 442

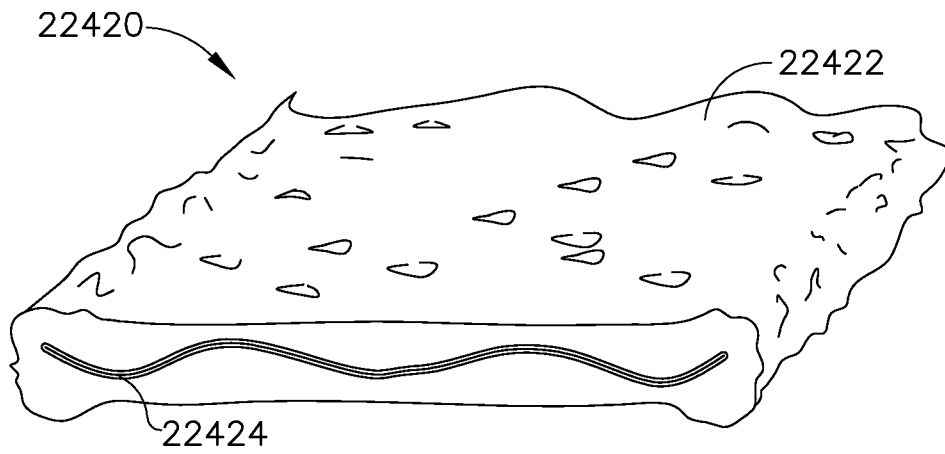


FIG. 443

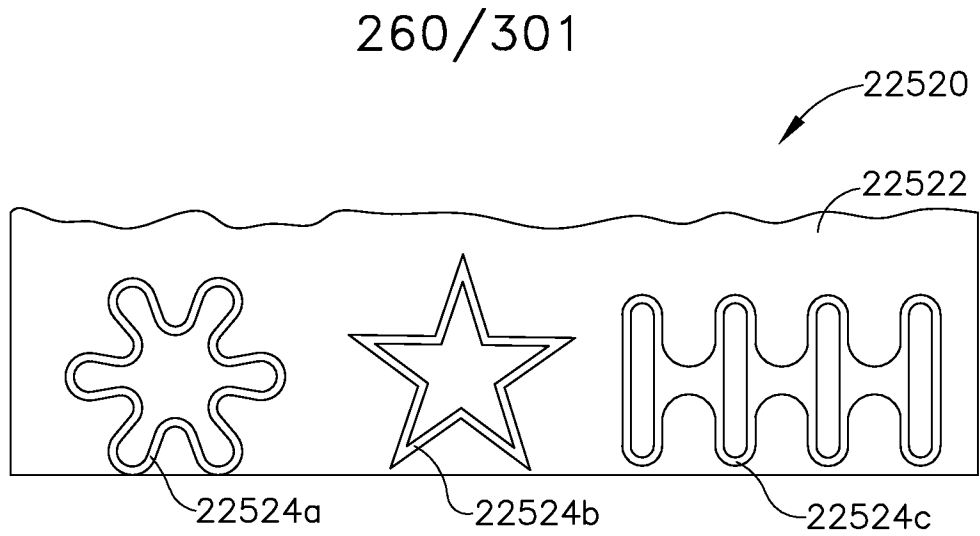


FIG. 444

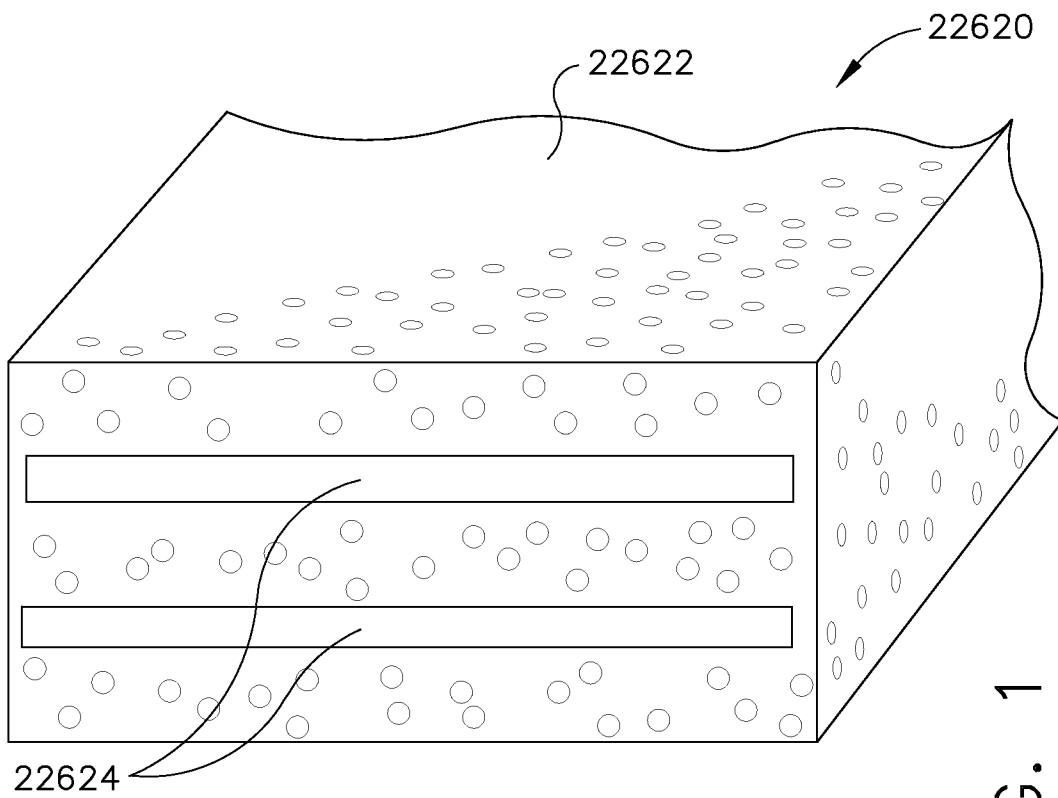


FIG. 445

FIG. 1

261/301

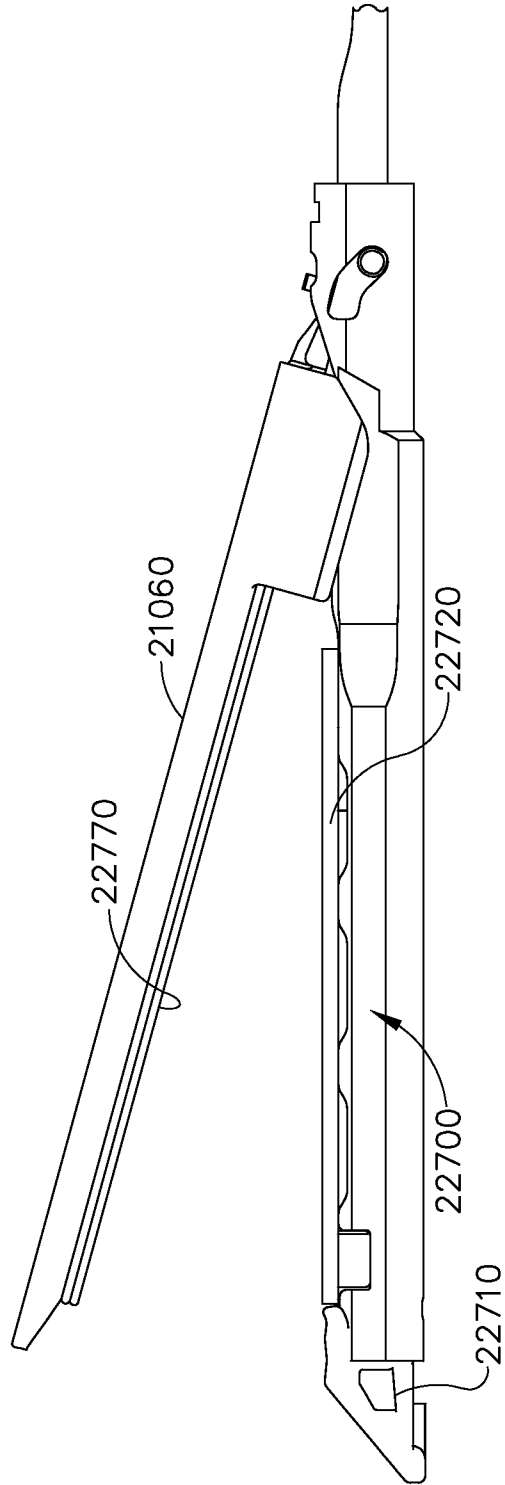


FIG. 446

262/301

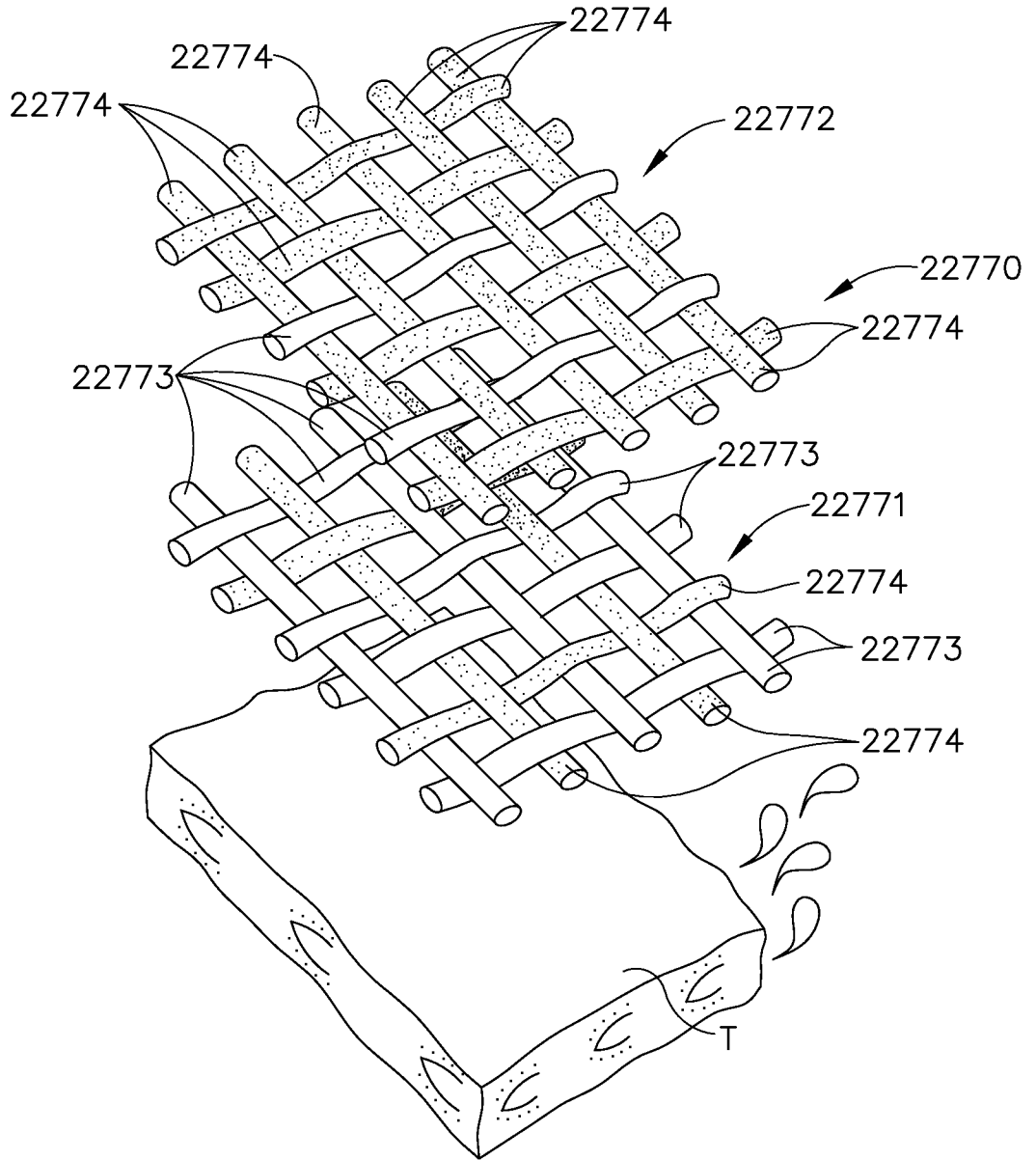


FIG. 447

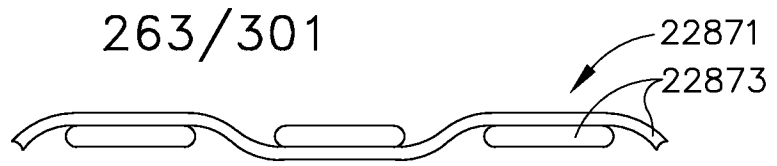


FIG. 448

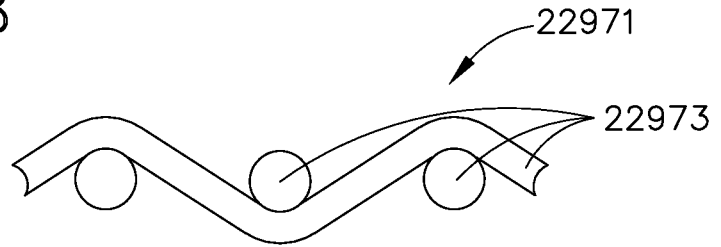


FIG. 449

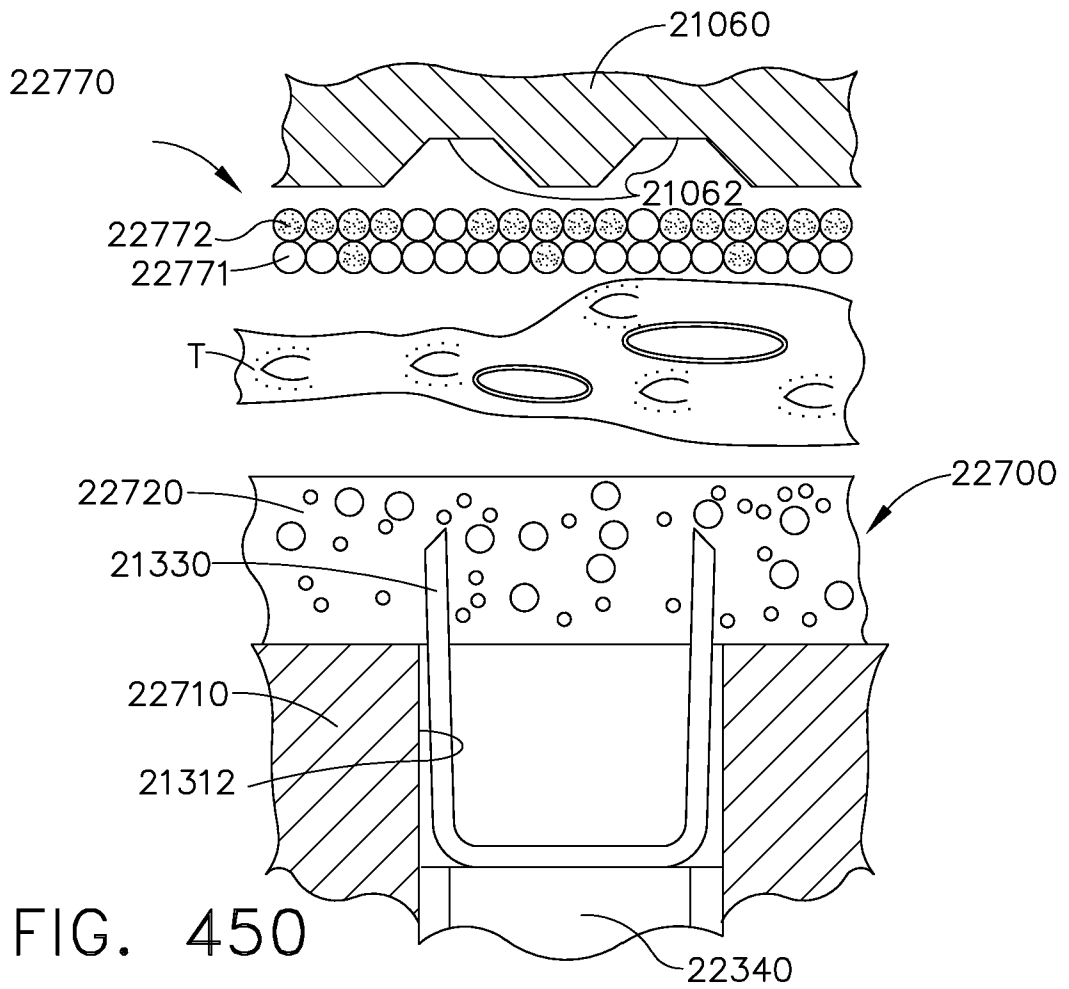


FIG. 450

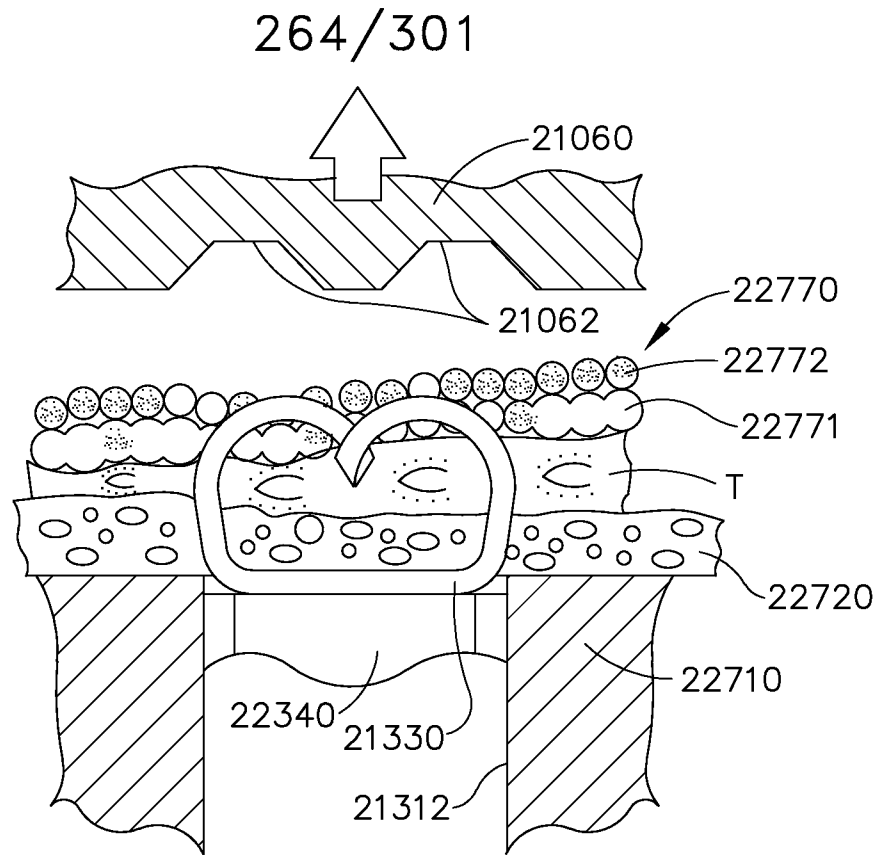


FIG. 451

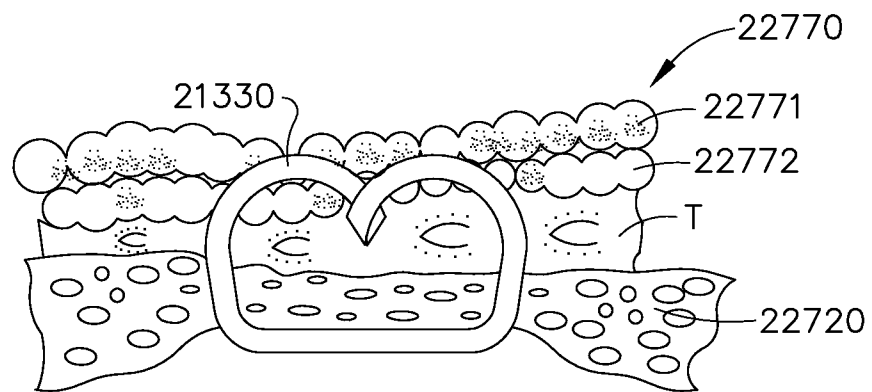


FIG. 452

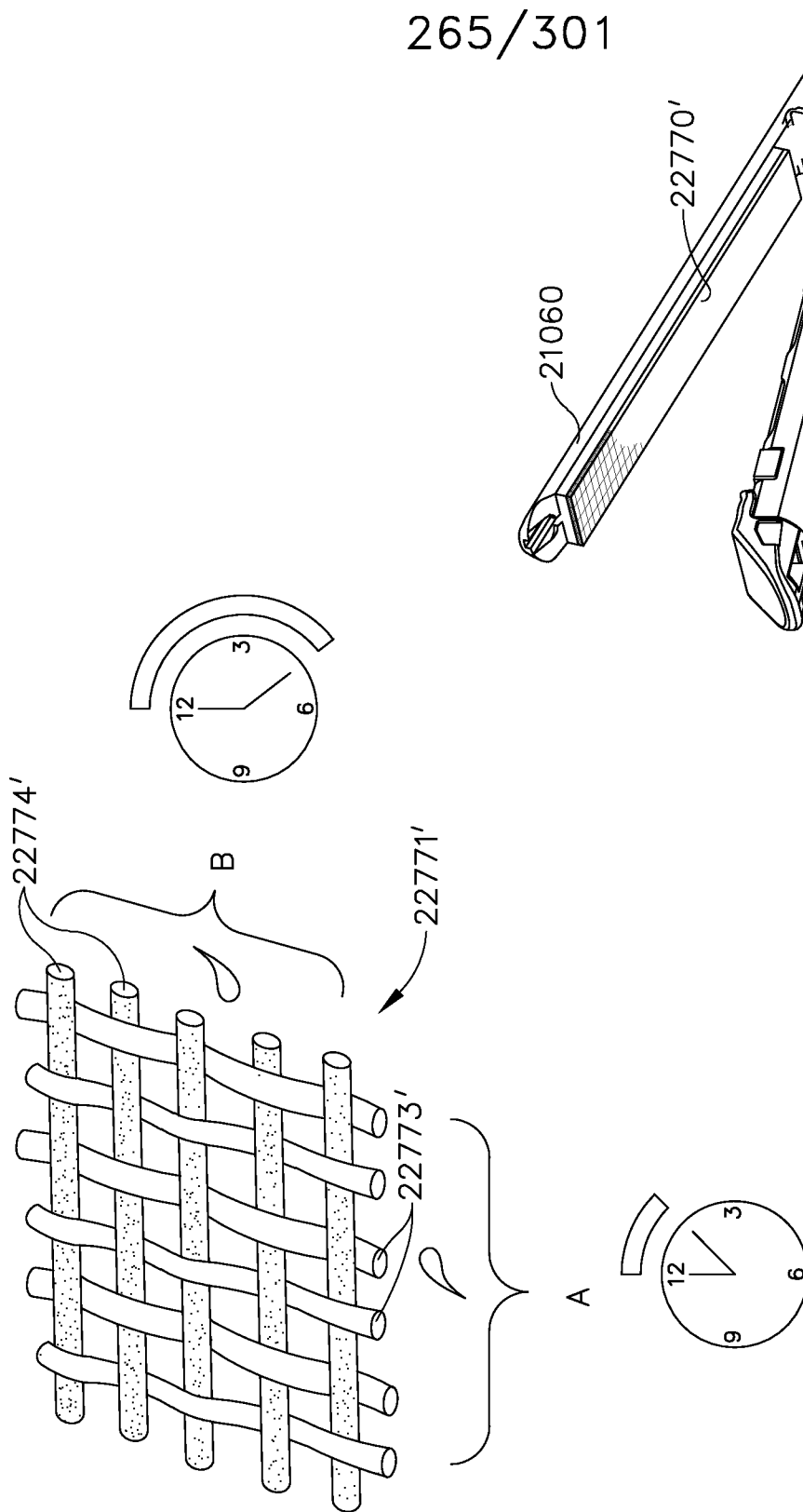


FIG. 453

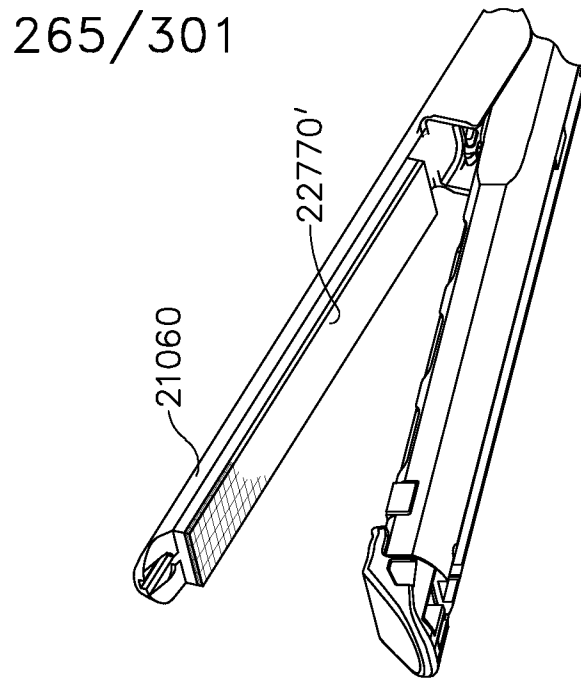


FIG. 454

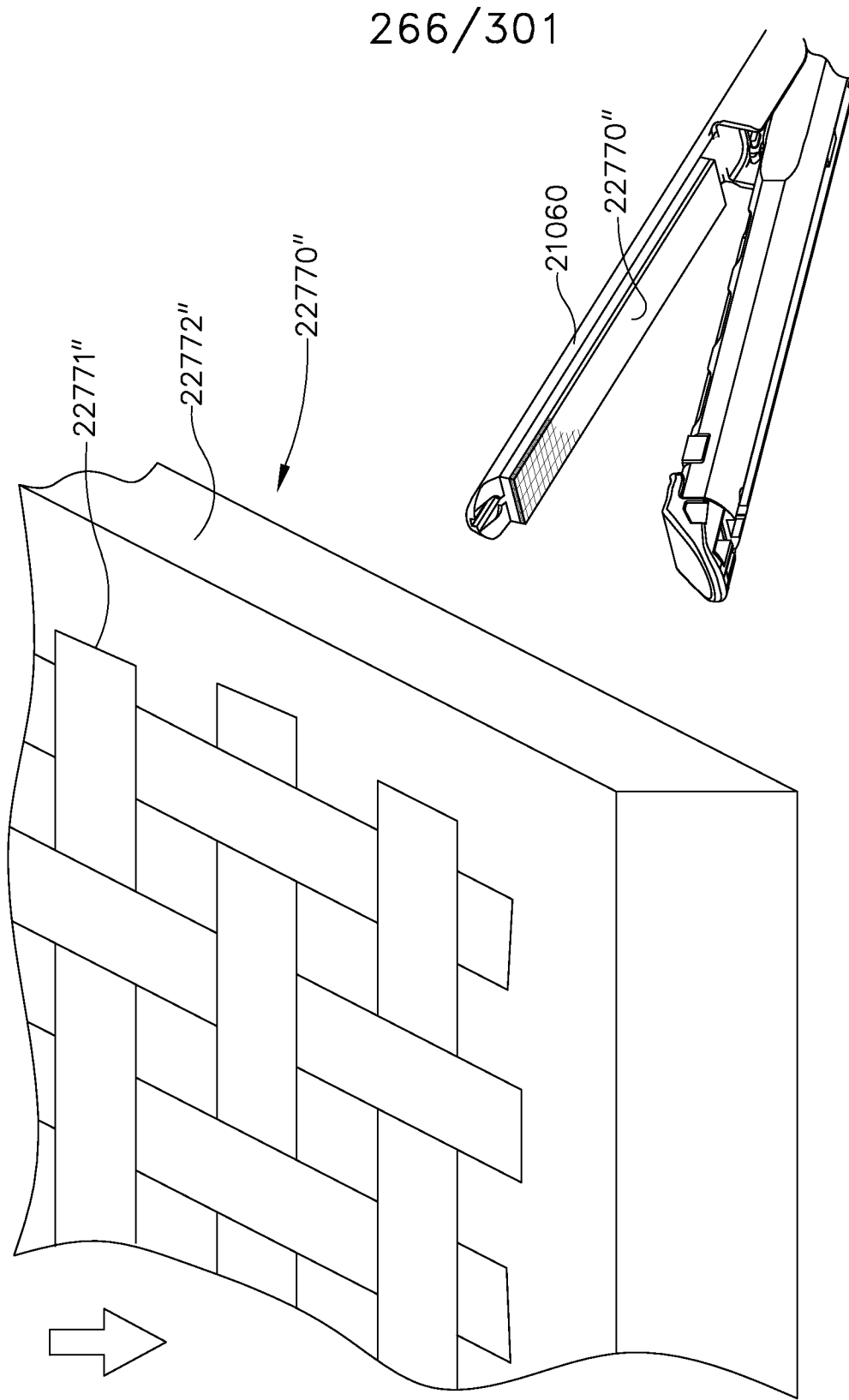


FIG. 455

FIG. 456

267/301

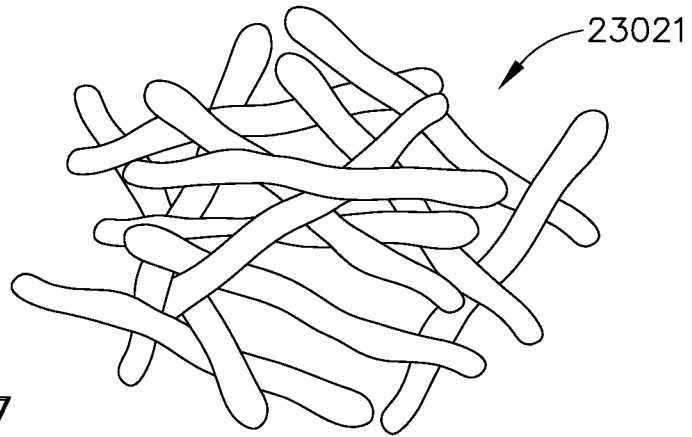


FIG. 457

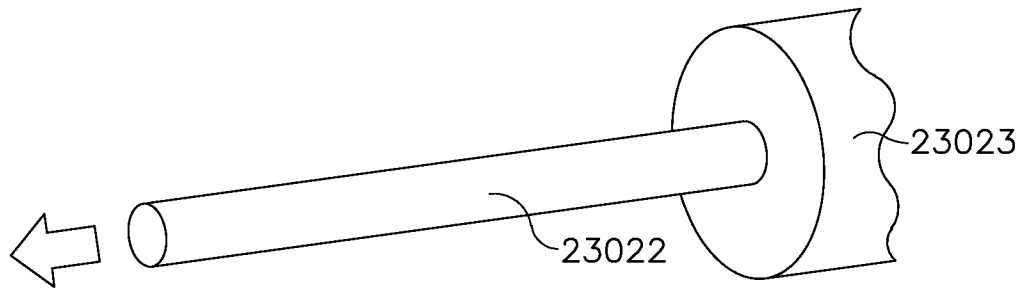


FIG. 458

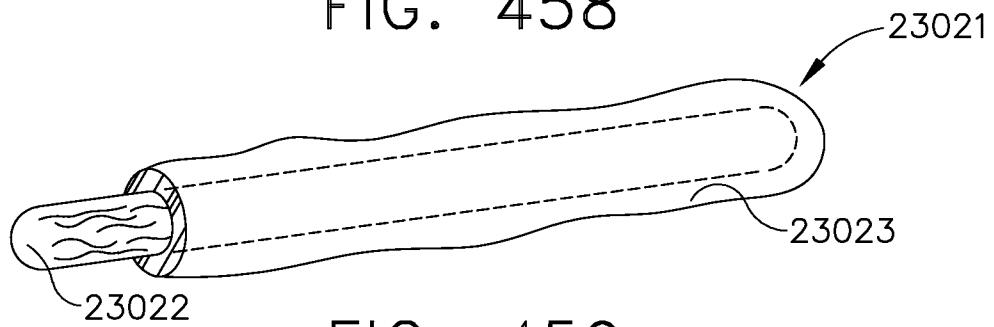


FIG. 459

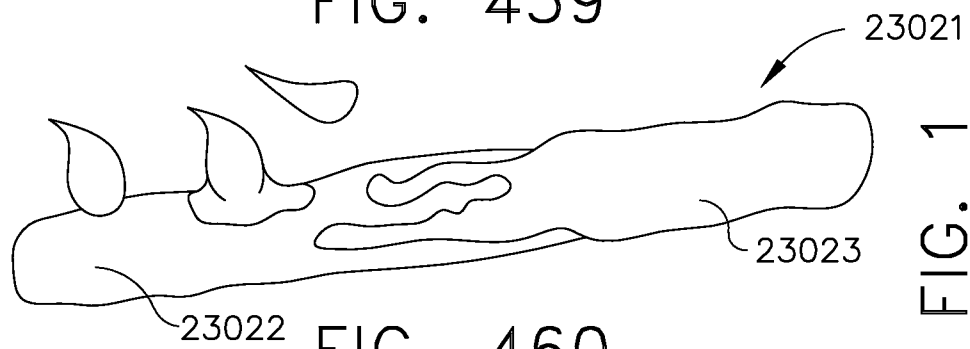


FIG. 460

268/301

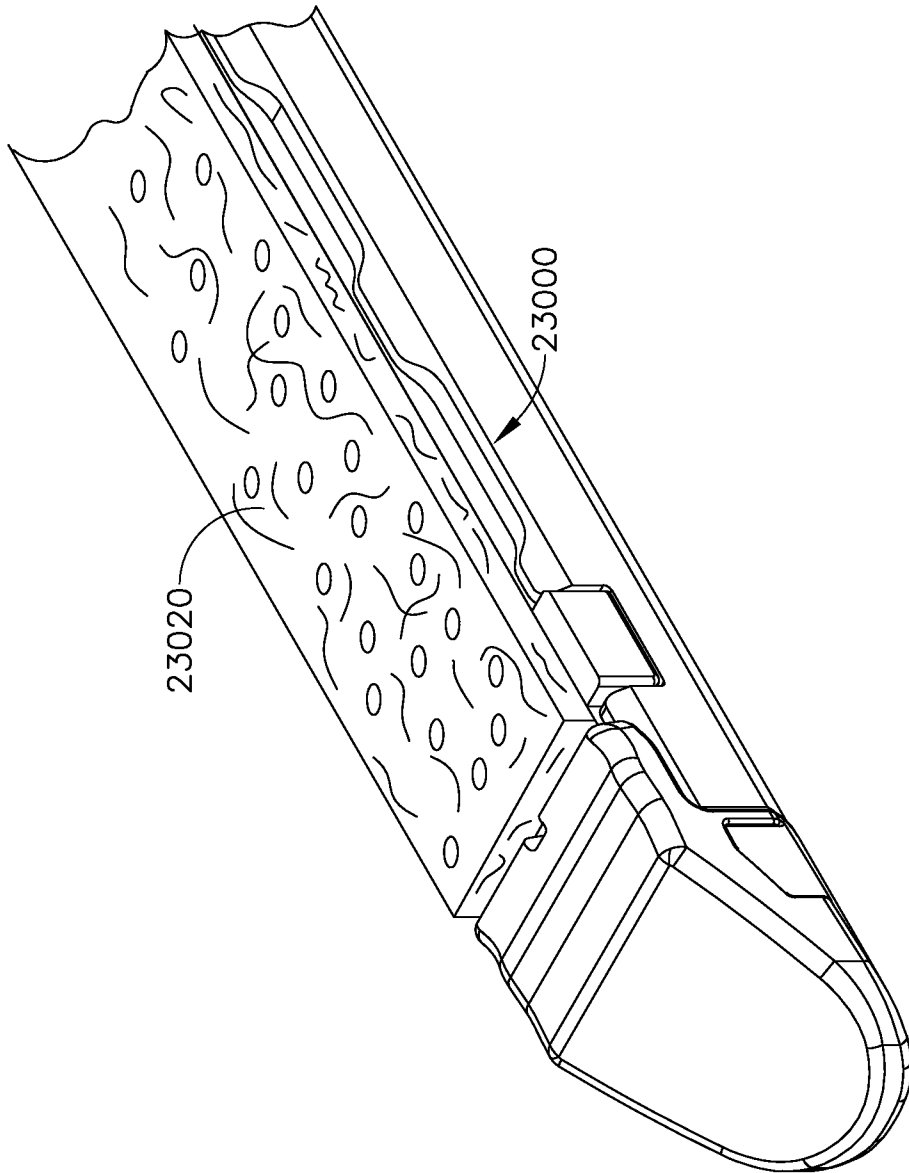


FIG. 461

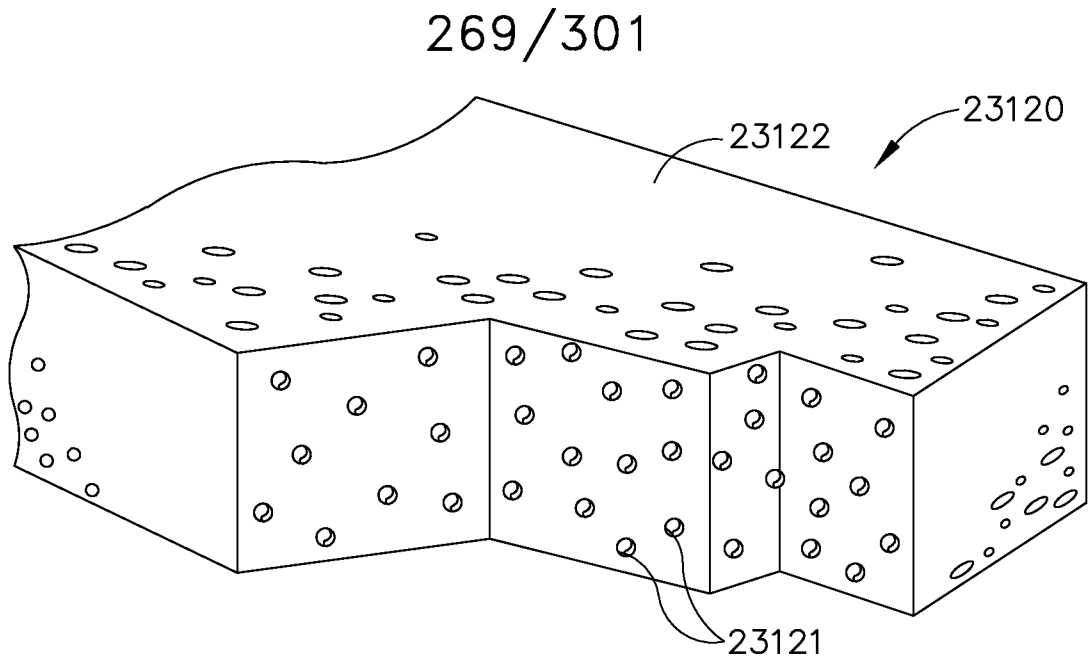


FIG. 462

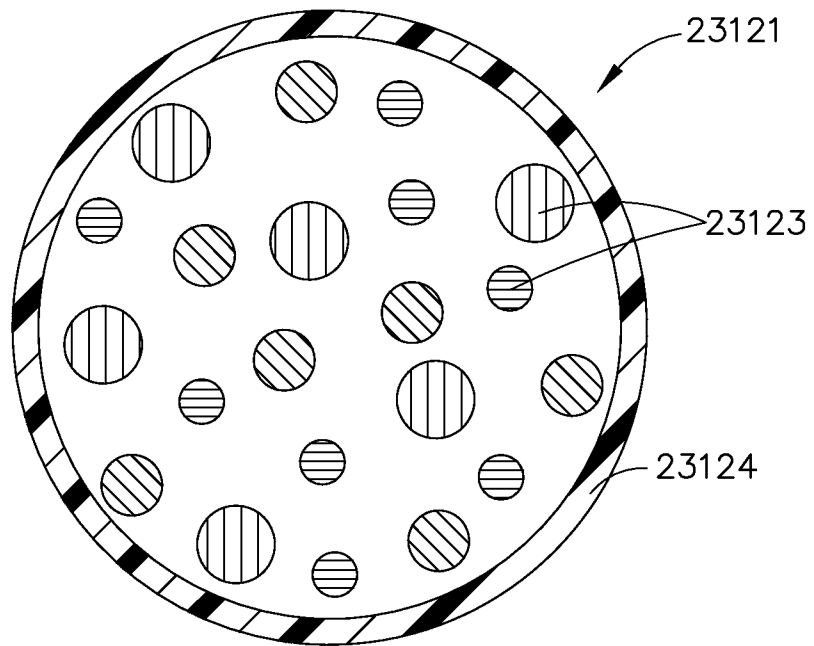
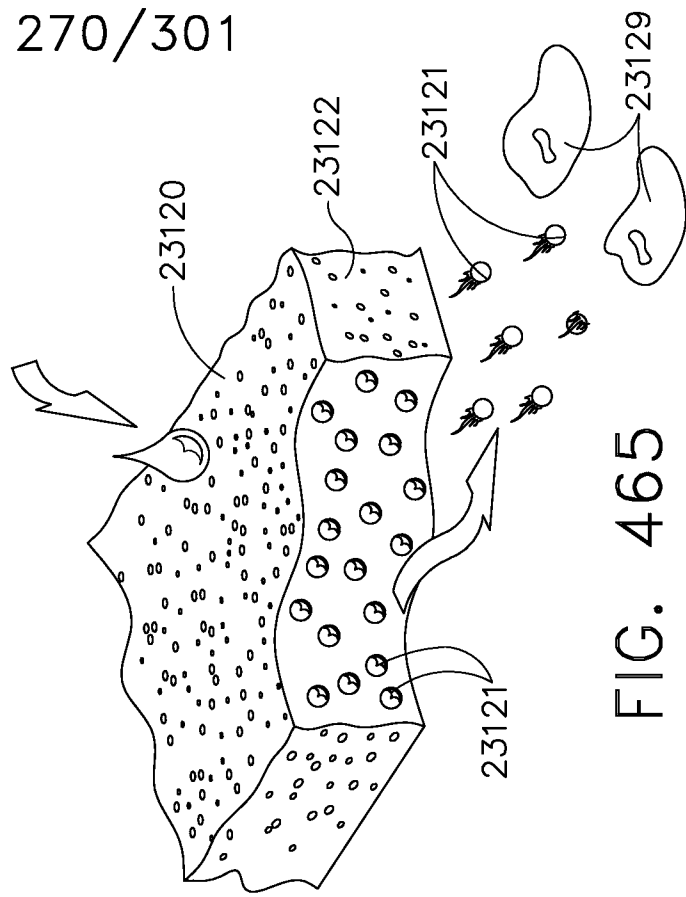
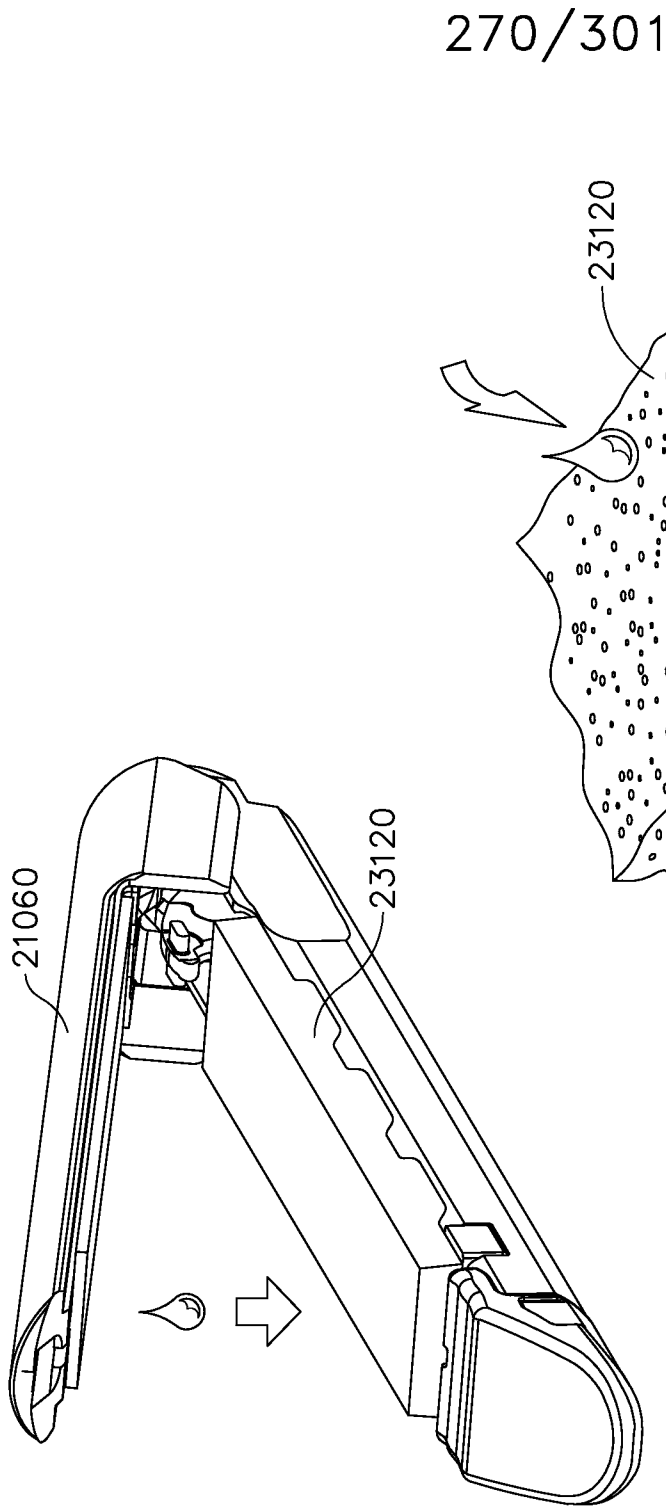


FIG. 463



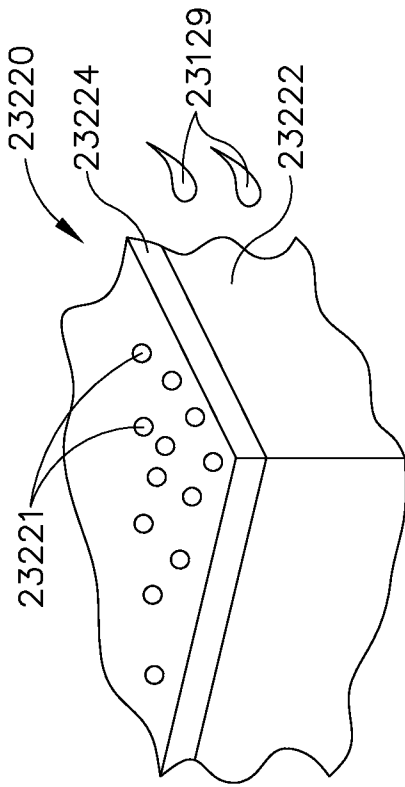


FIG. 466

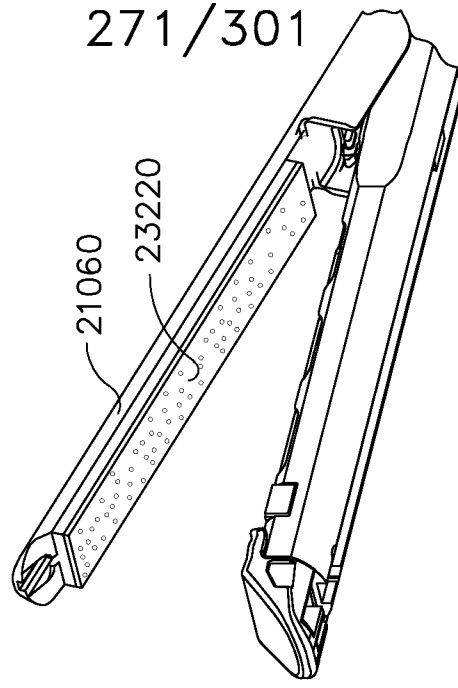


FIG. 468

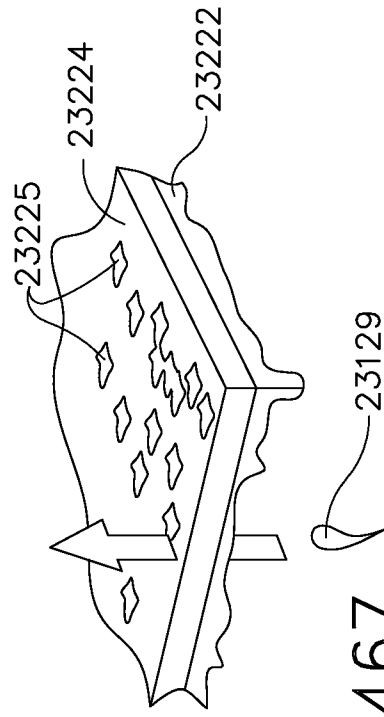


FIG. 467

272/301

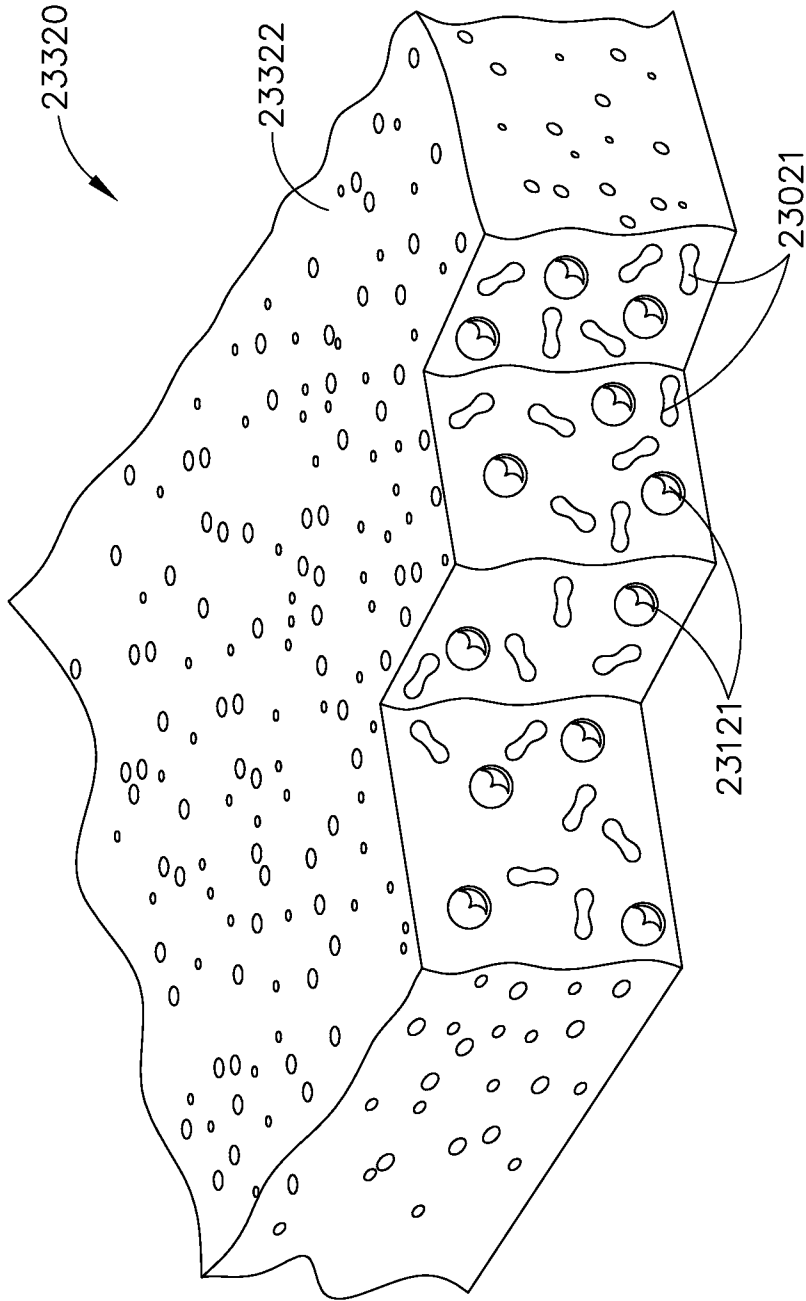


FIG. 469

273/301

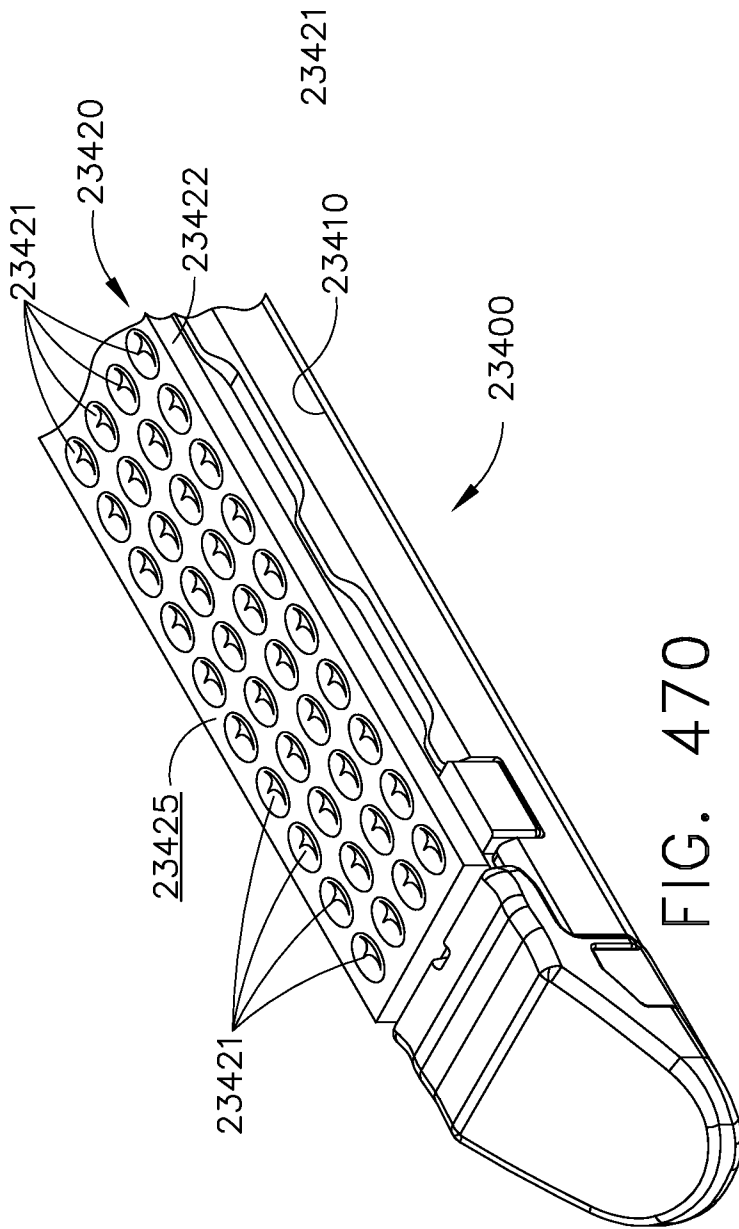


FIG. 470

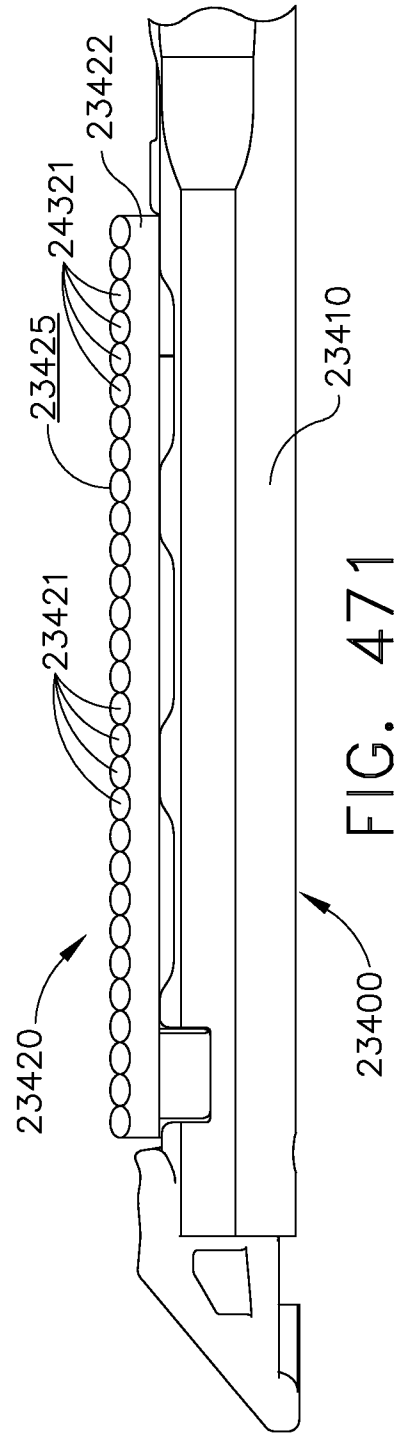


FIG. 471

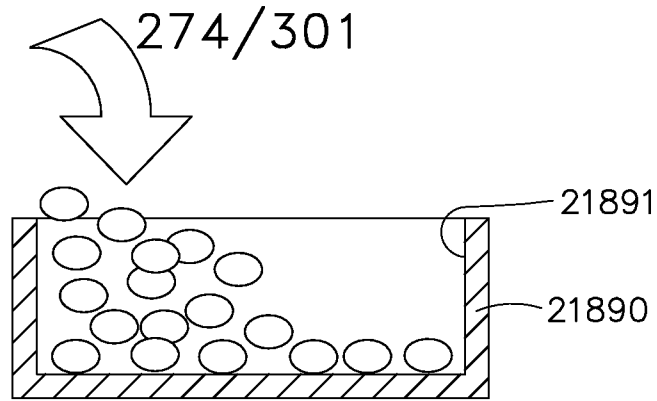


FIG. 472

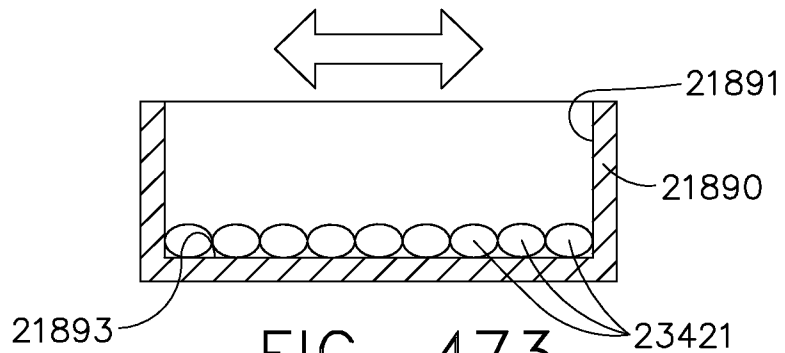


FIG. 473

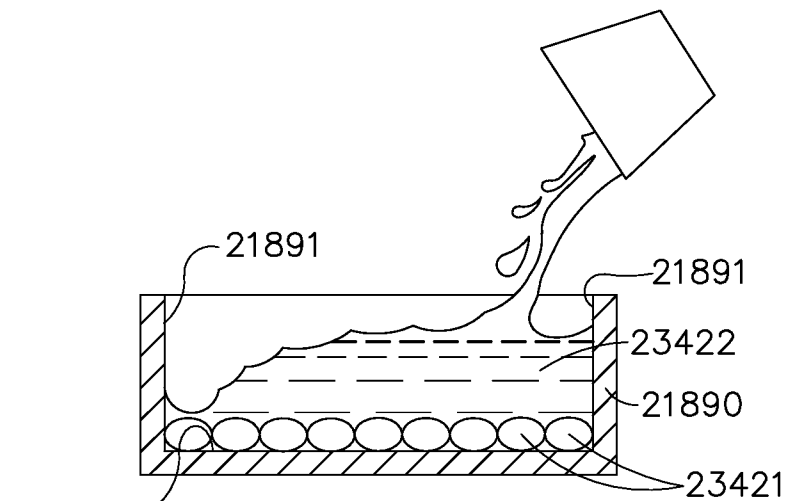


FIG. 474

275/301

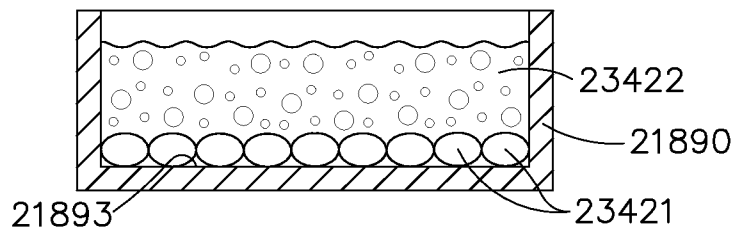


FIG. 475

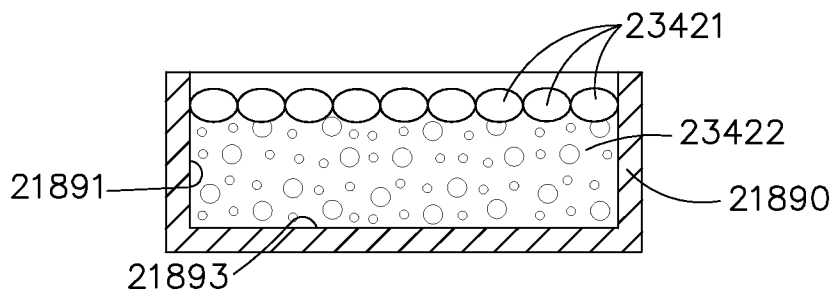


FIG. 476

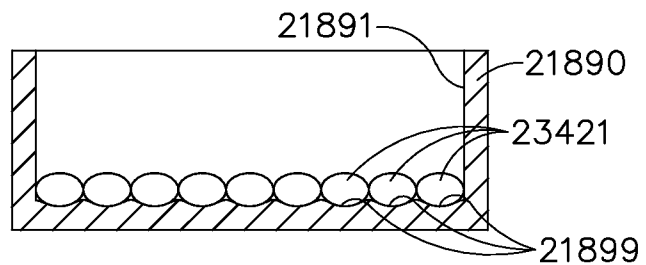


FIG. 477

276/301

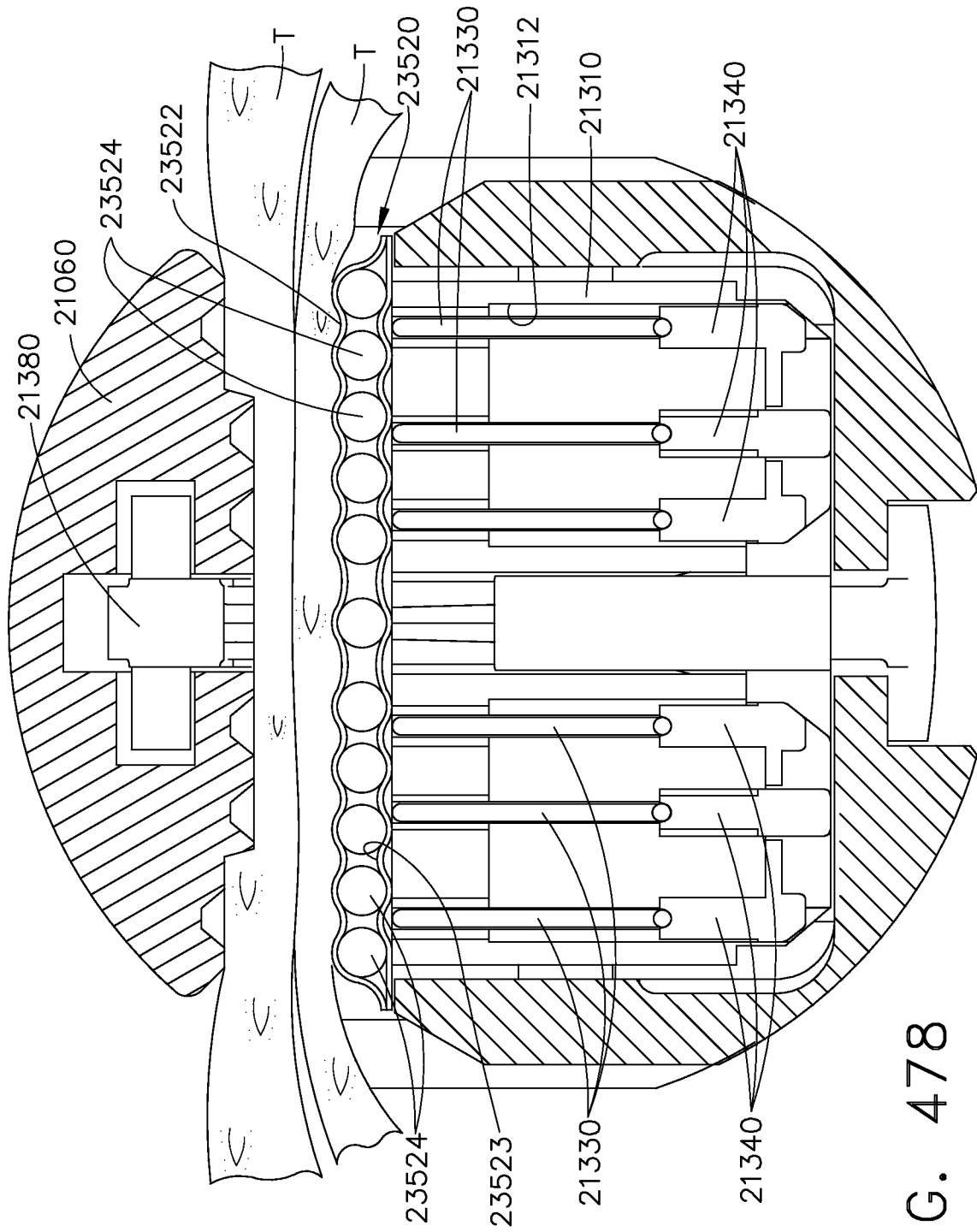


FIG. 478

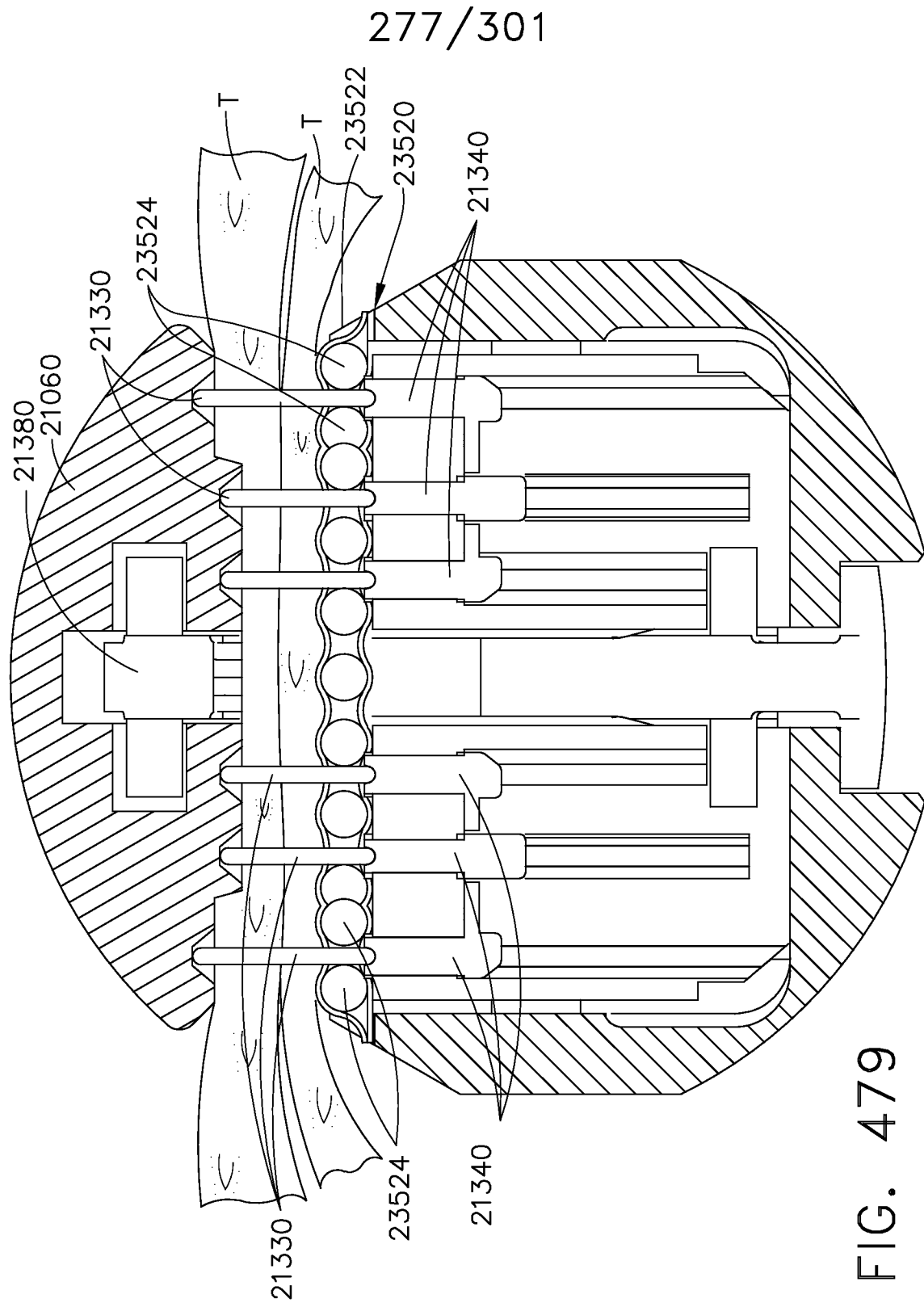


FIG. 479

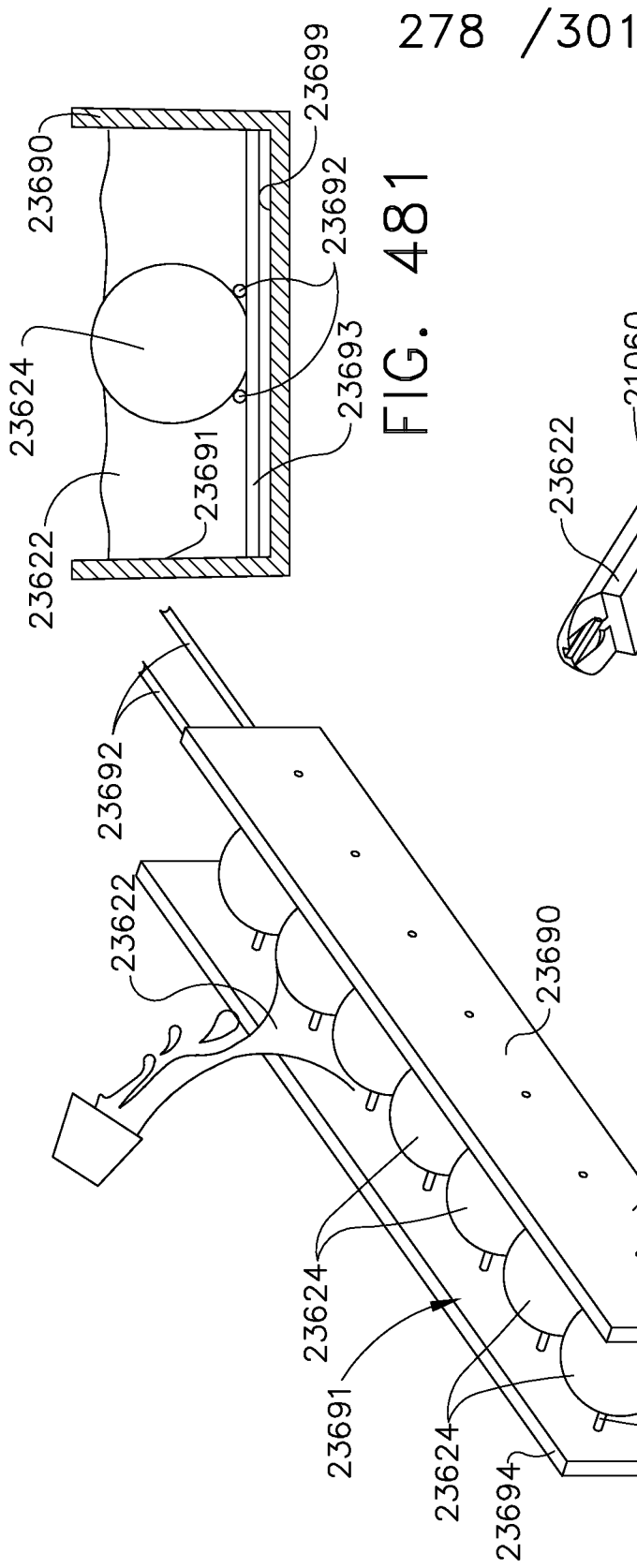


FIG. 481

FIG. 480

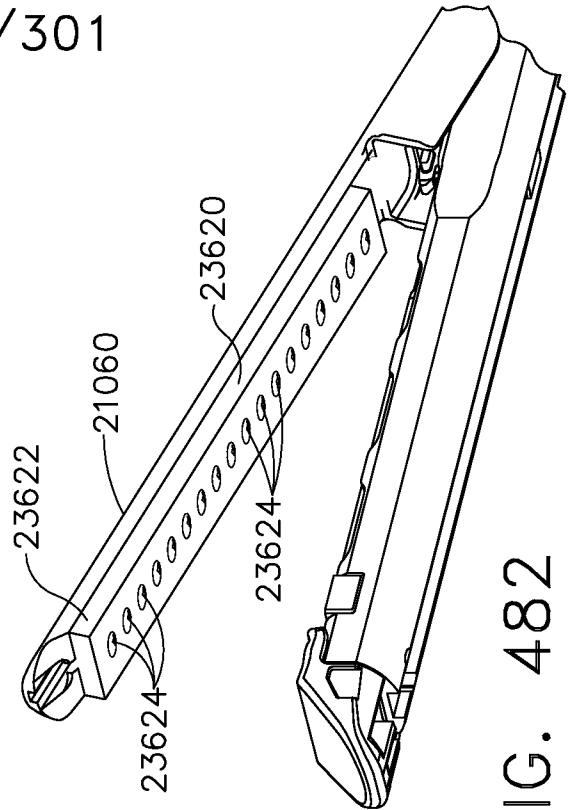


FIG. 482

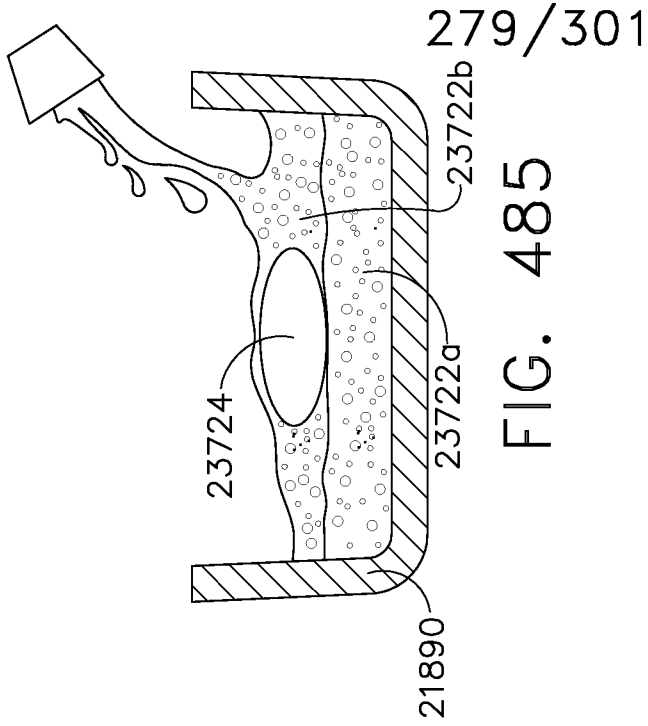


FIG. 485

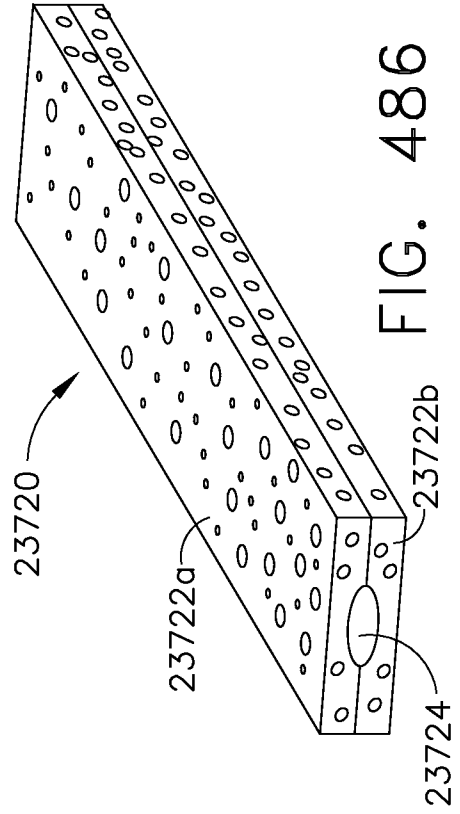


FIG. 486

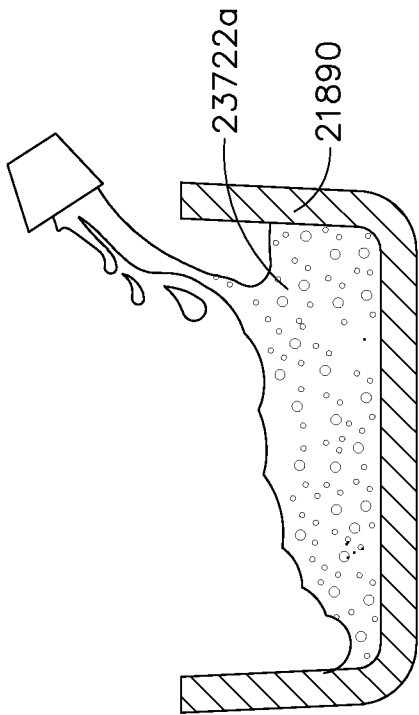


FIG. 483

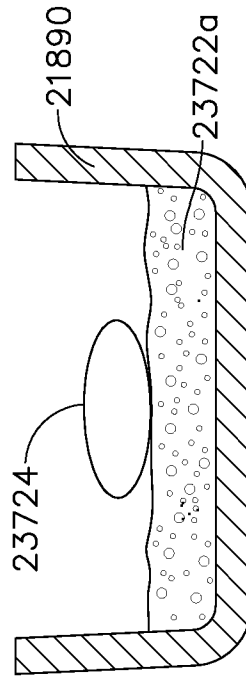


FIG. 484

280/301

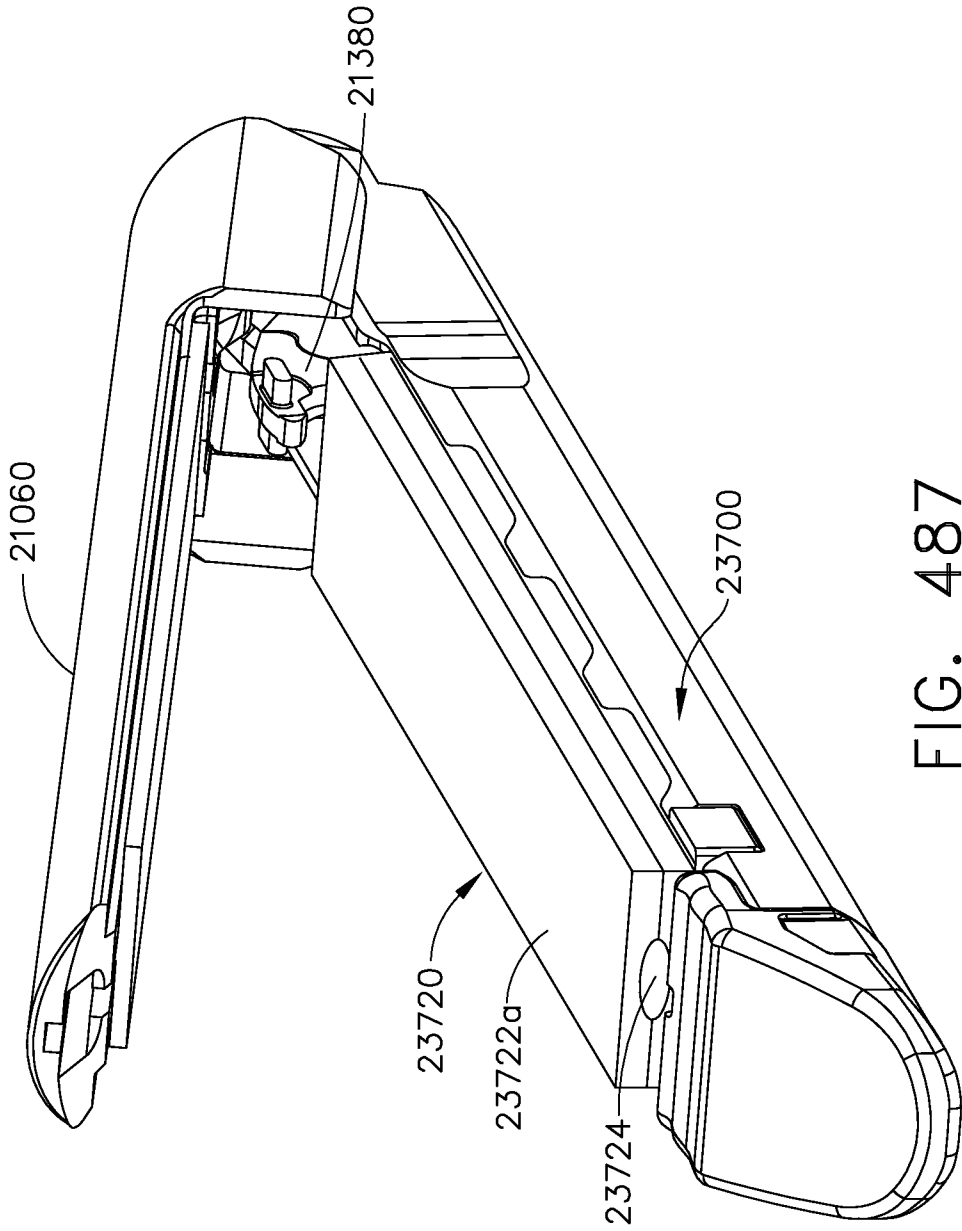


FIG. 487

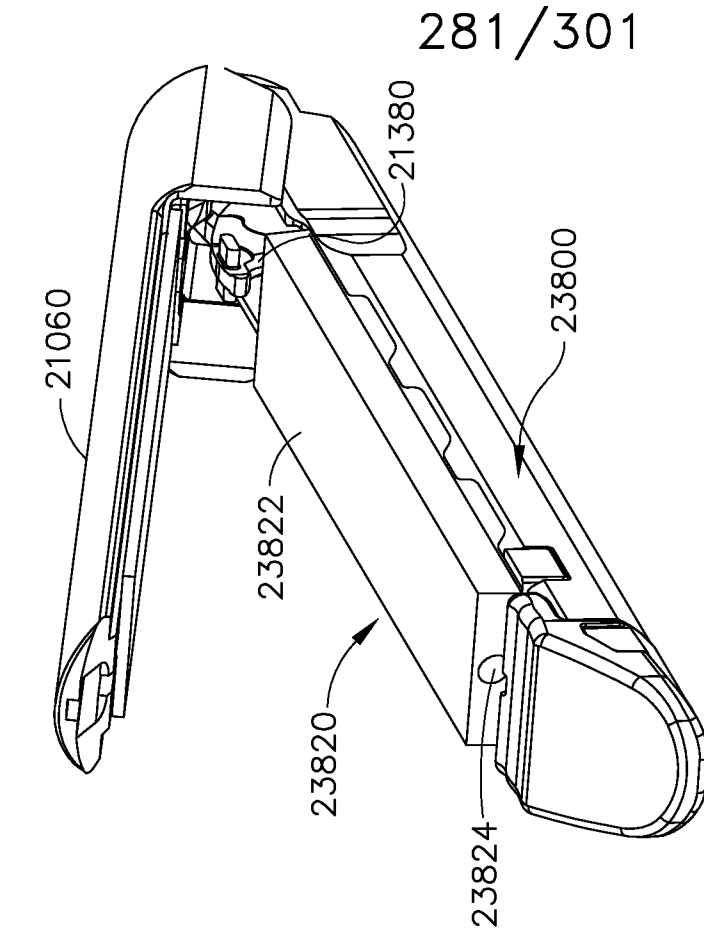


FIG. 491

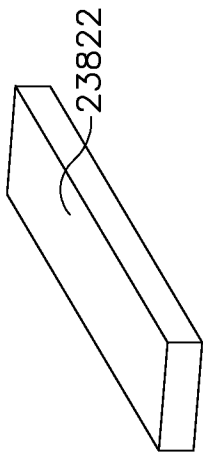


FIG. 488

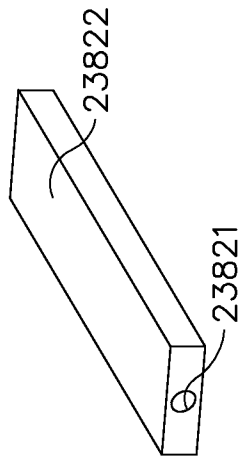


FIG. 489

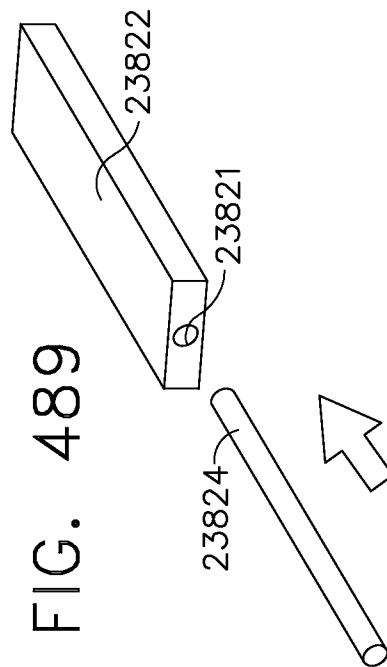


FIG. 490

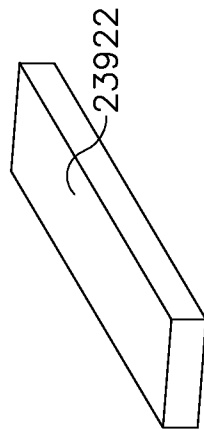


FIG. 492

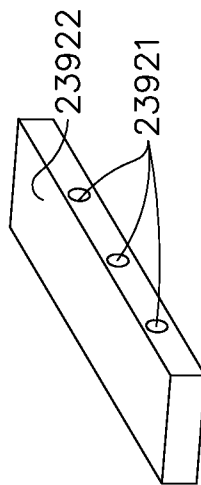


FIG. 493

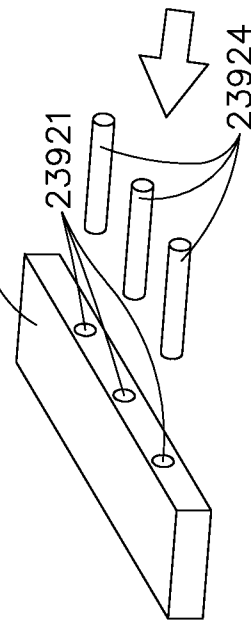


FIG. 494

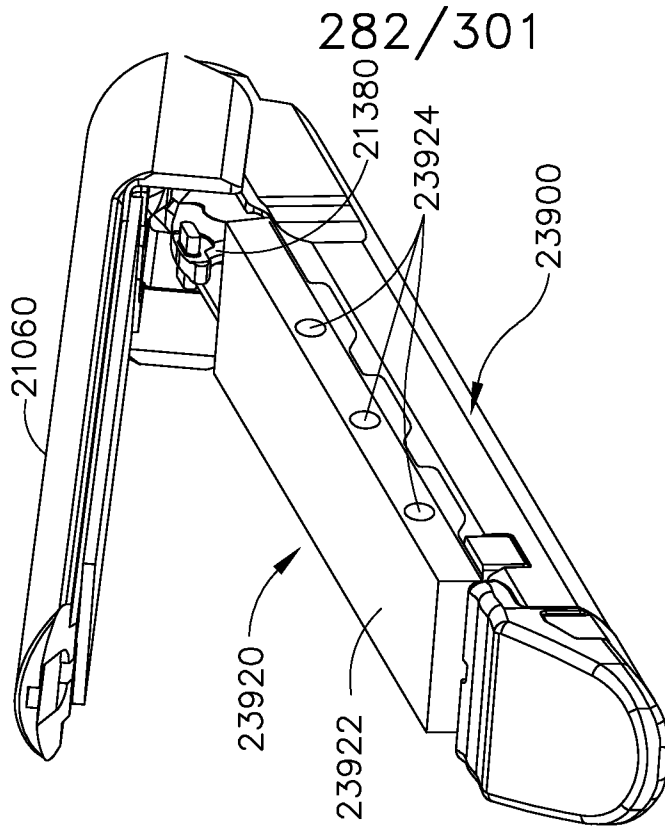


FIG. 495

283/301

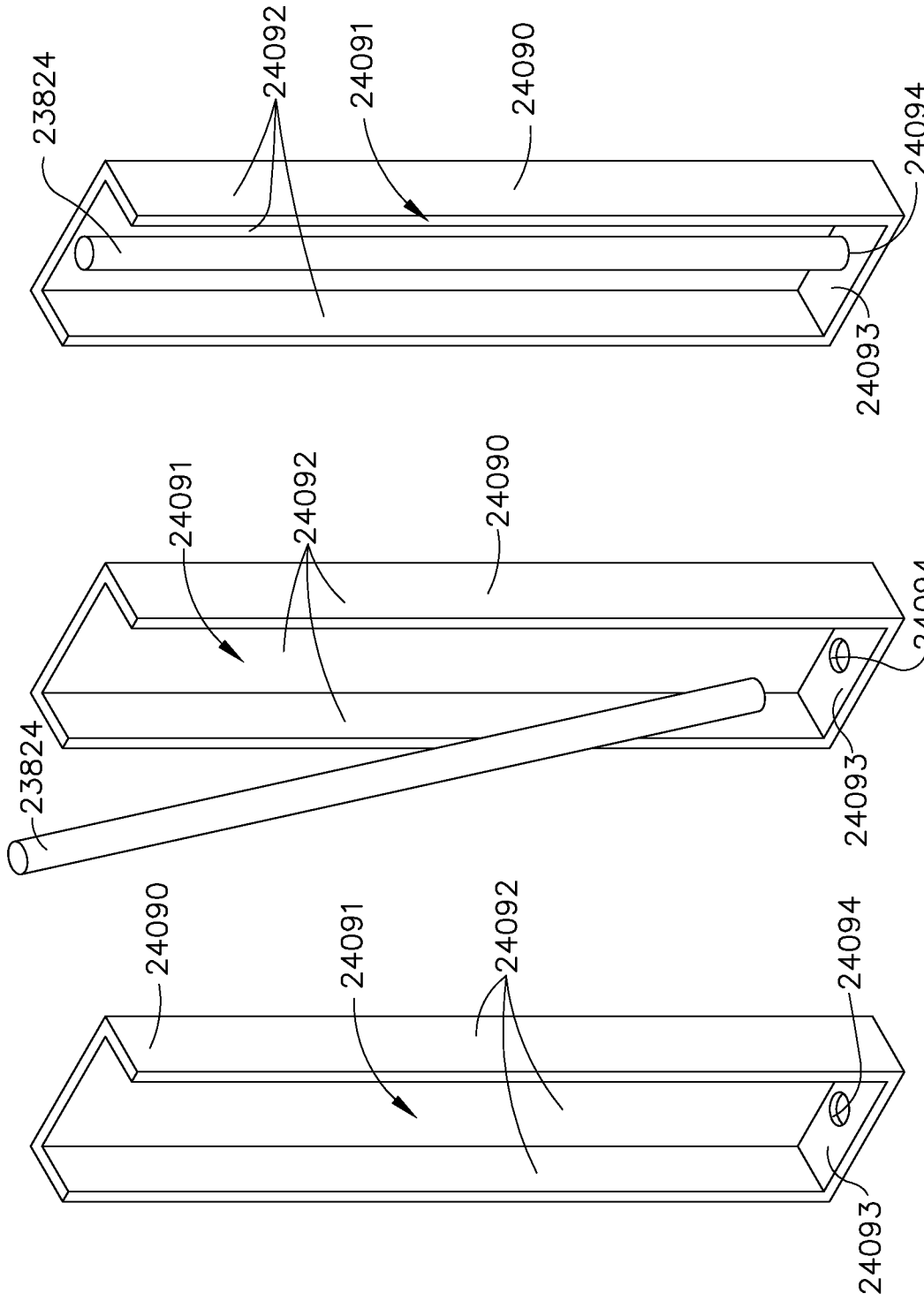


FIG. 498

FIG. 497

FIG. 496

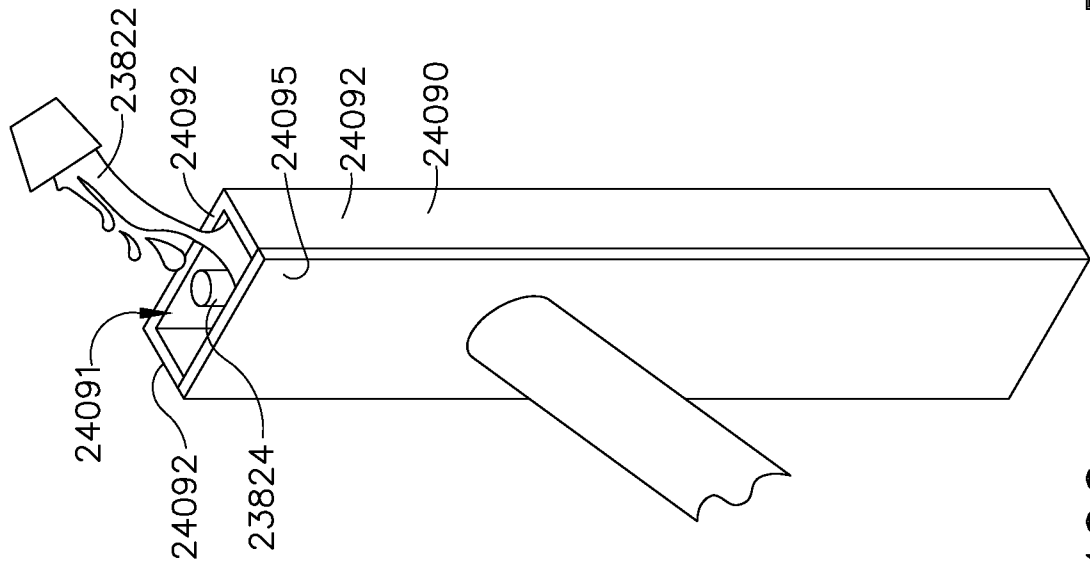


FIG. 499

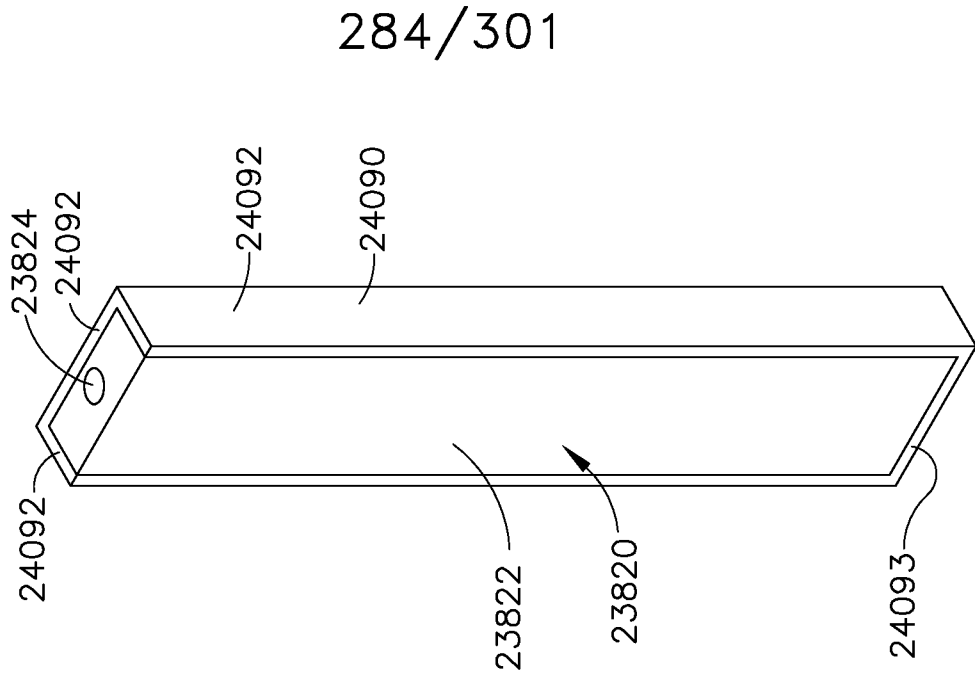


FIG. 500

284/301

285/301

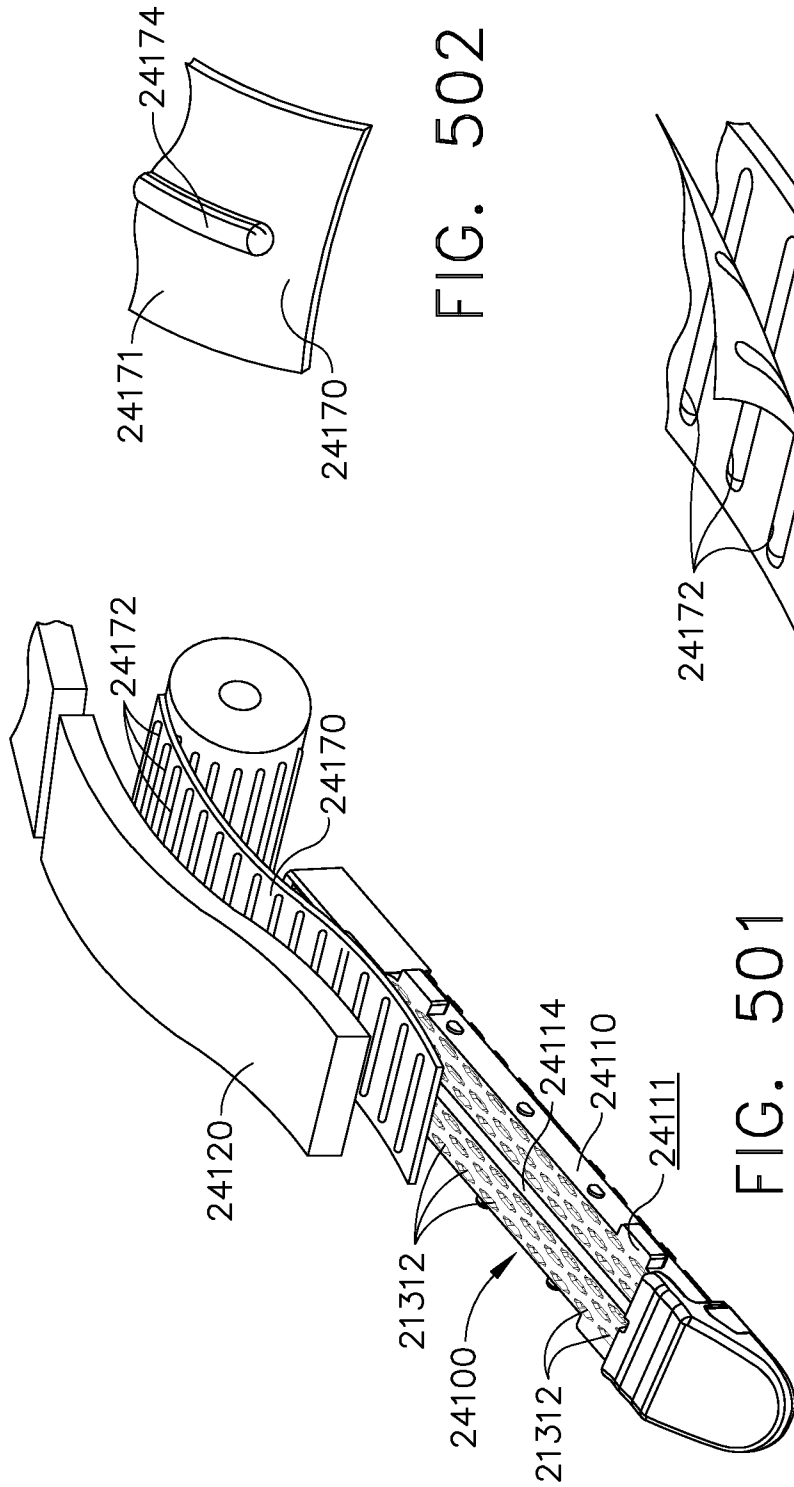


FIG. 501

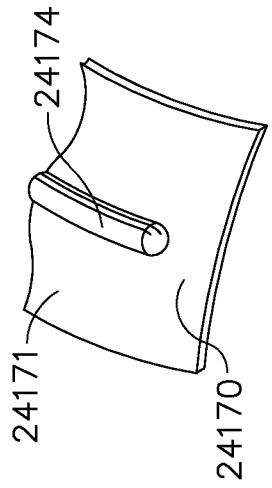


FIG. 502

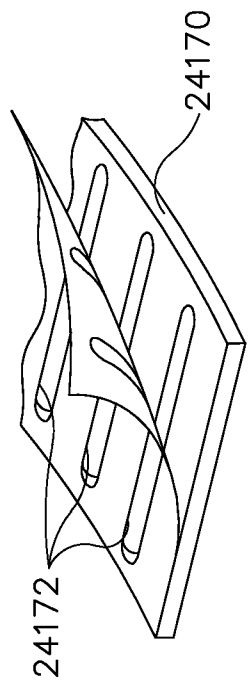


FIG. 503

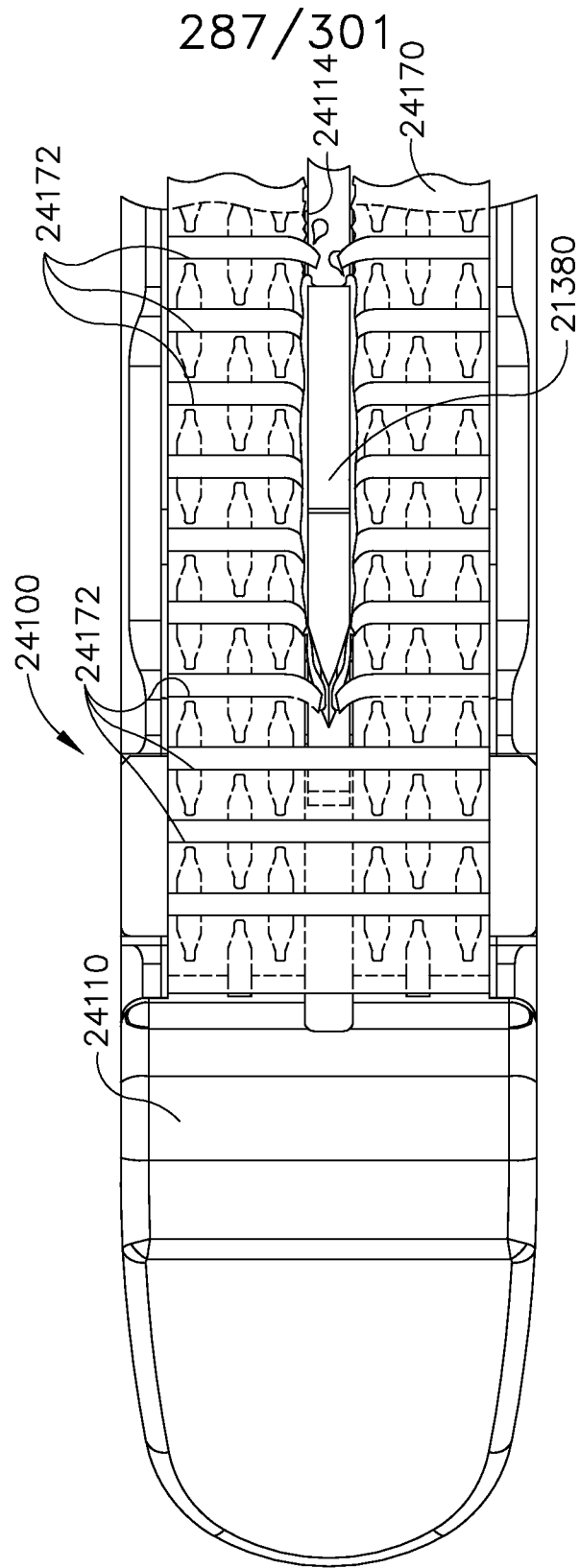


FIG. 505

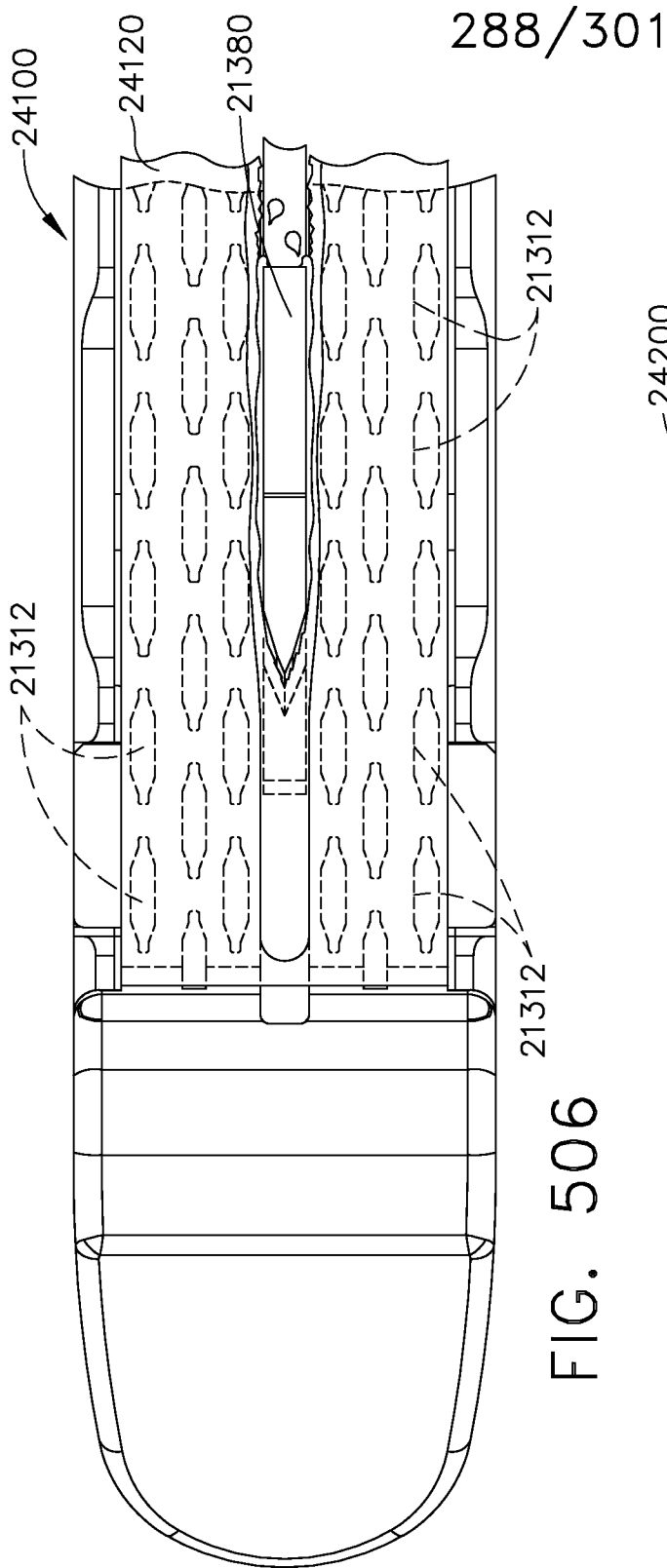


FIG. 506

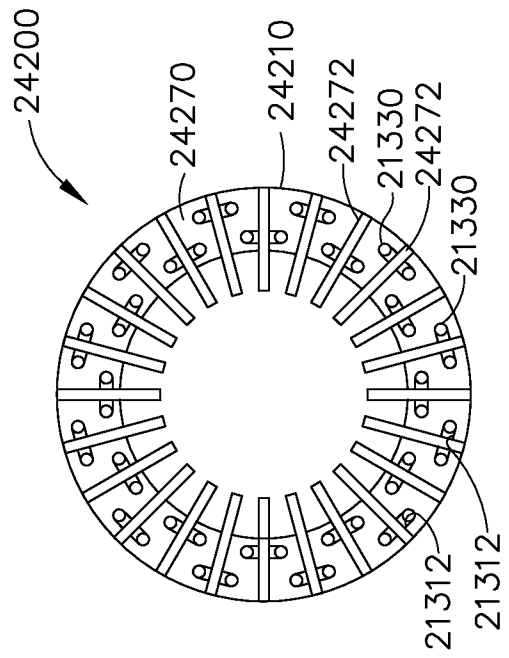


FIG. 507

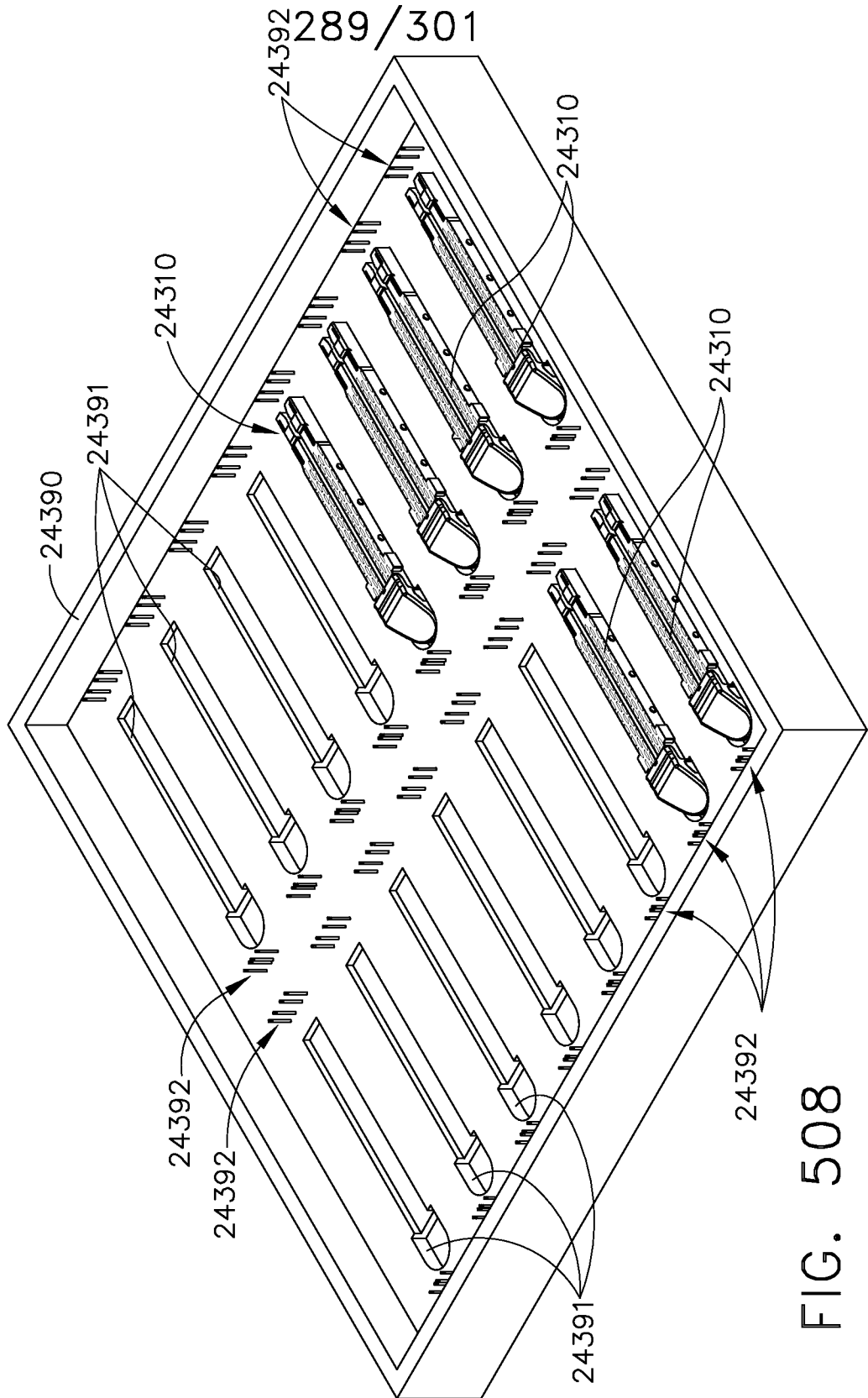


FIG. 508

291/301

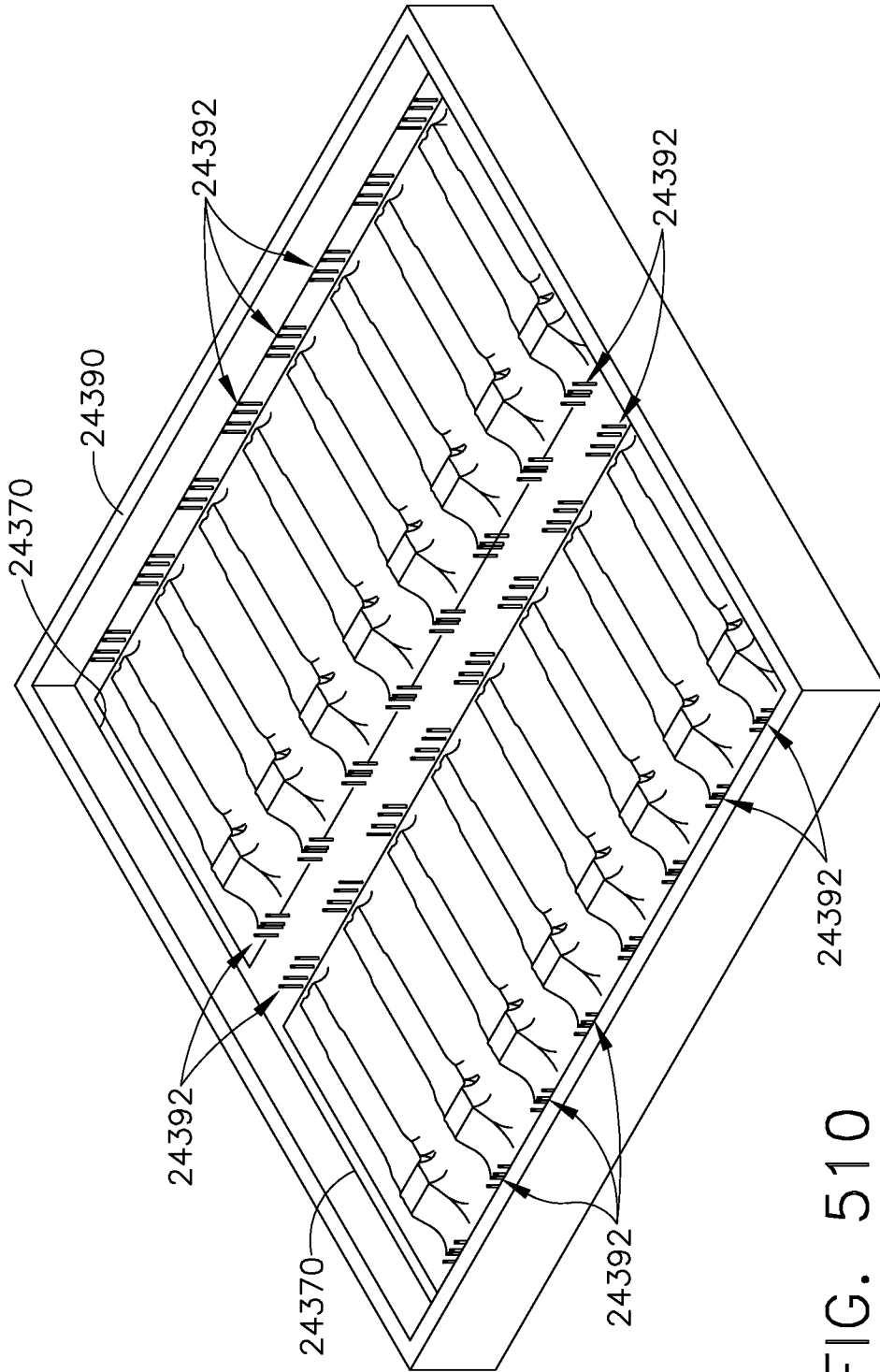


FIG. 510

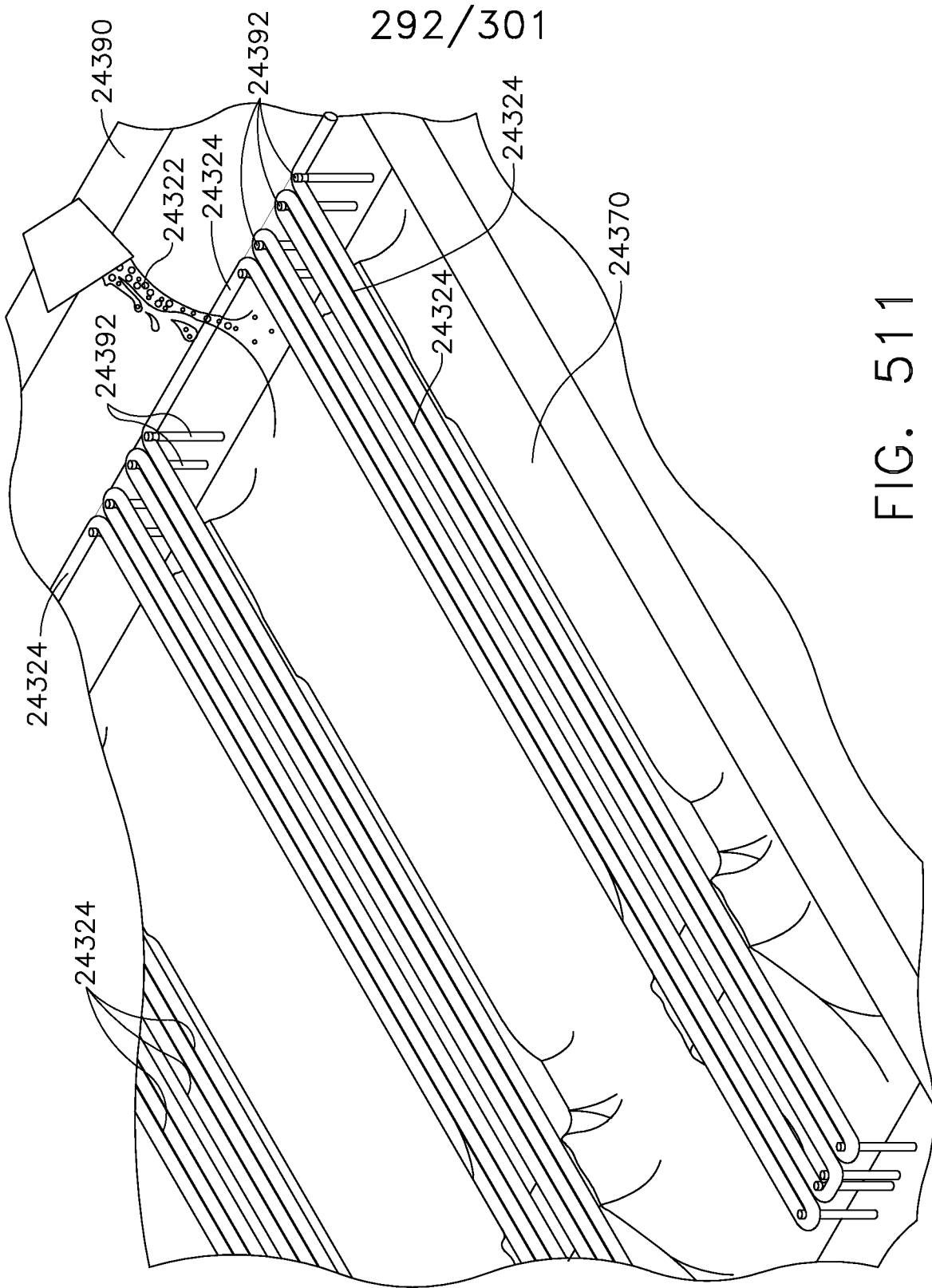


FIG. 511

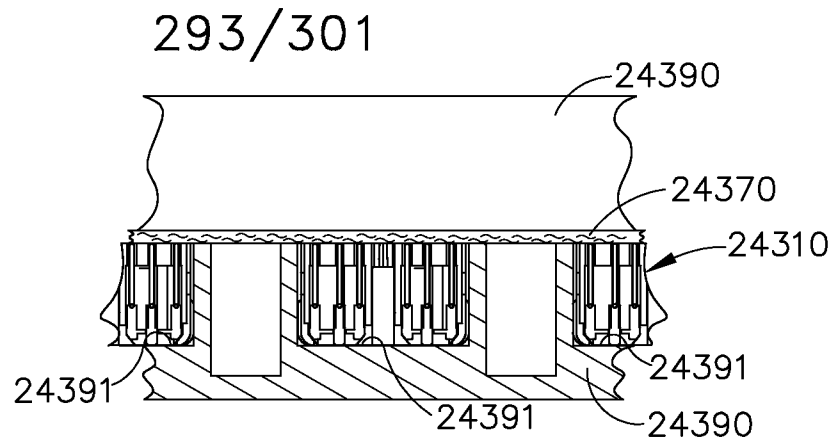


FIG. 512

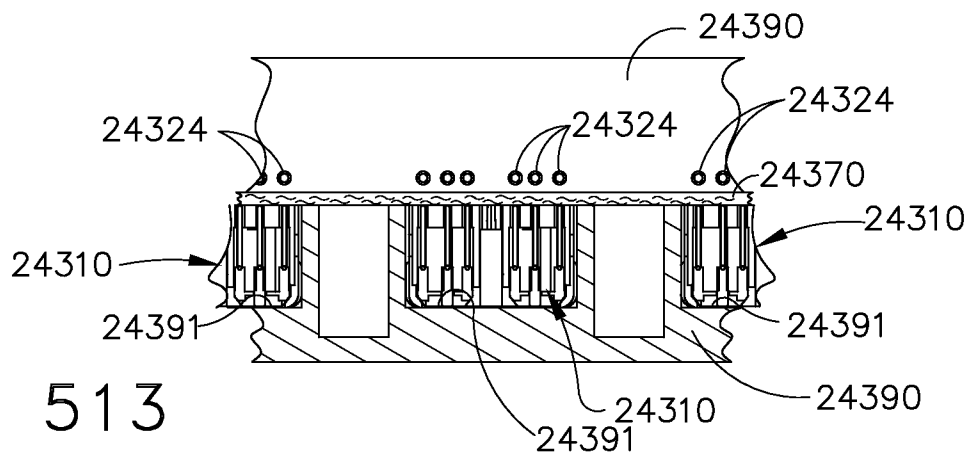


FIG. 513

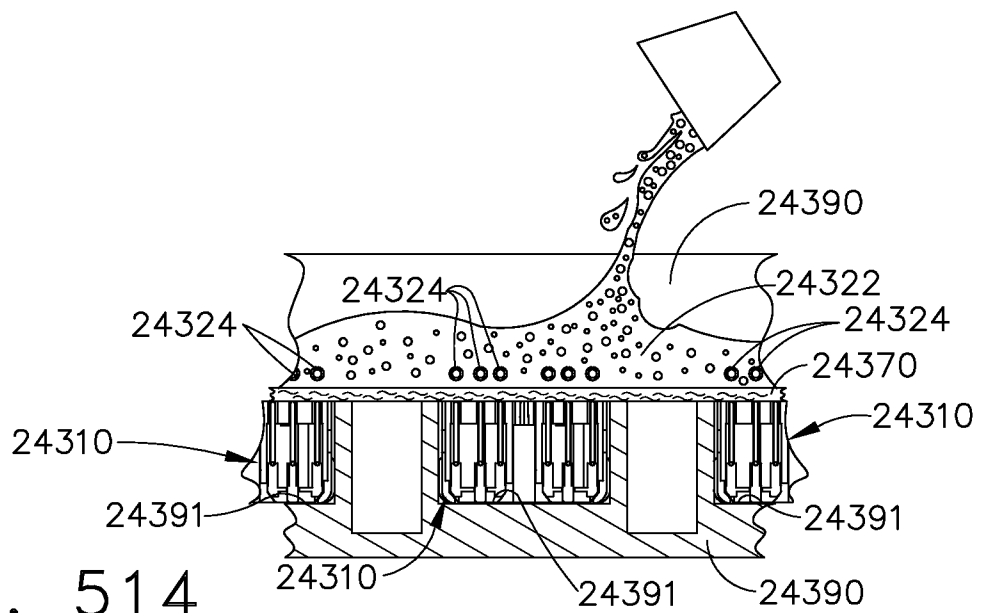
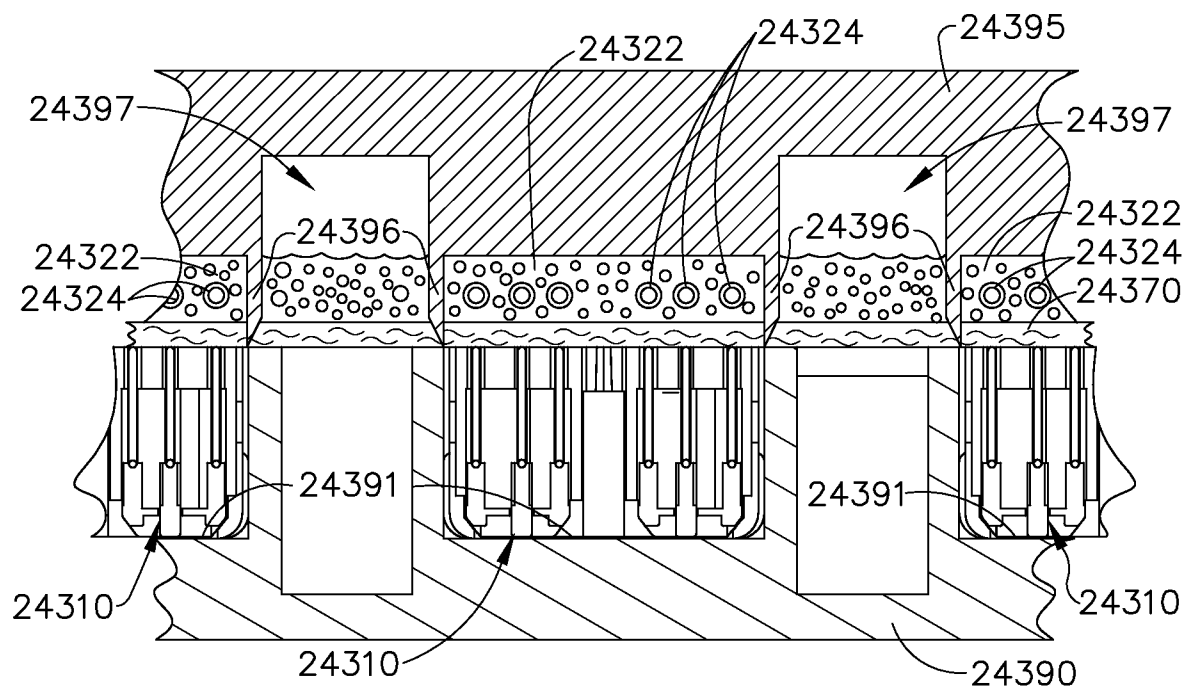
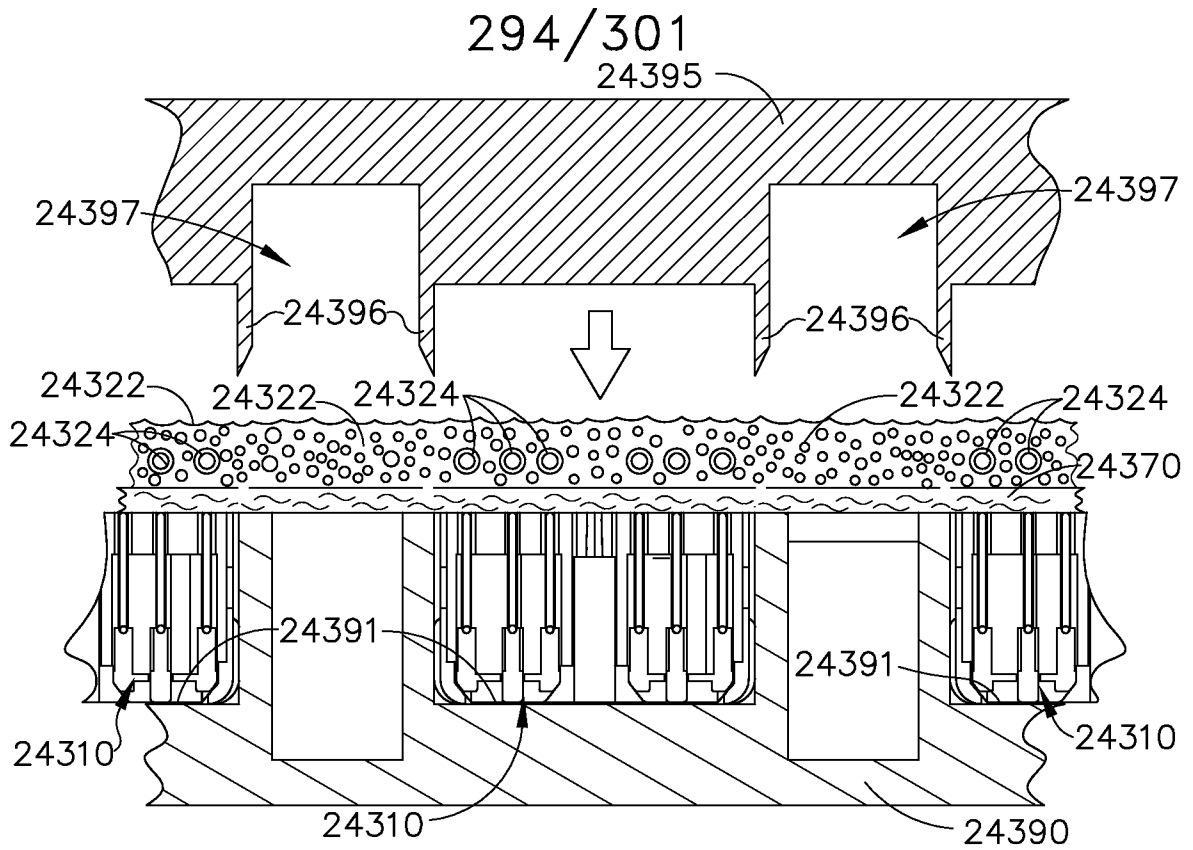
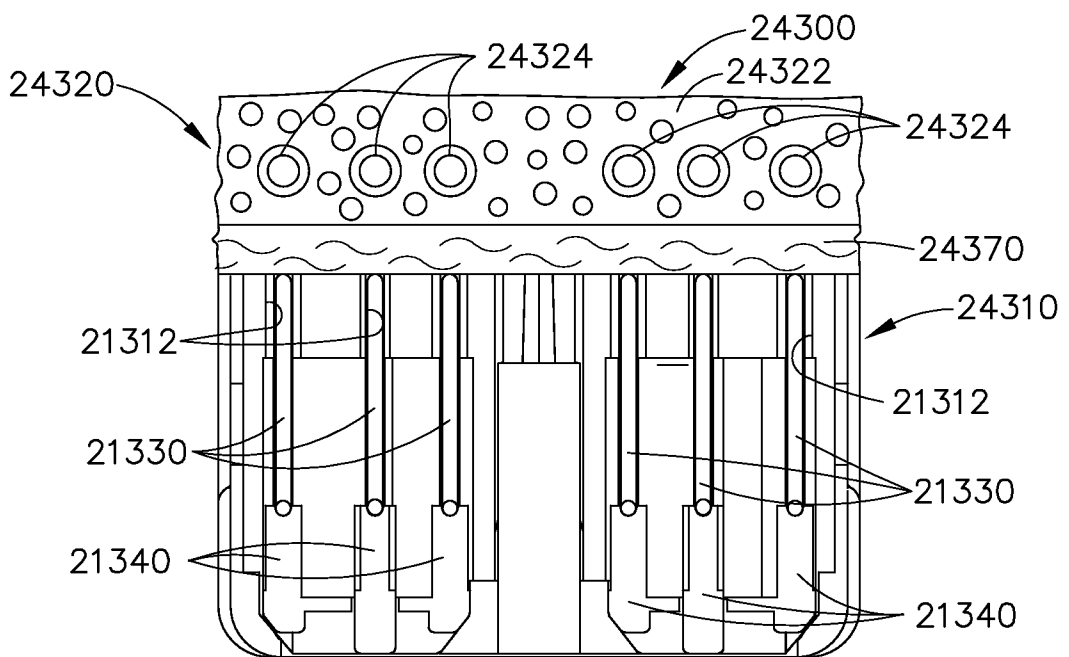
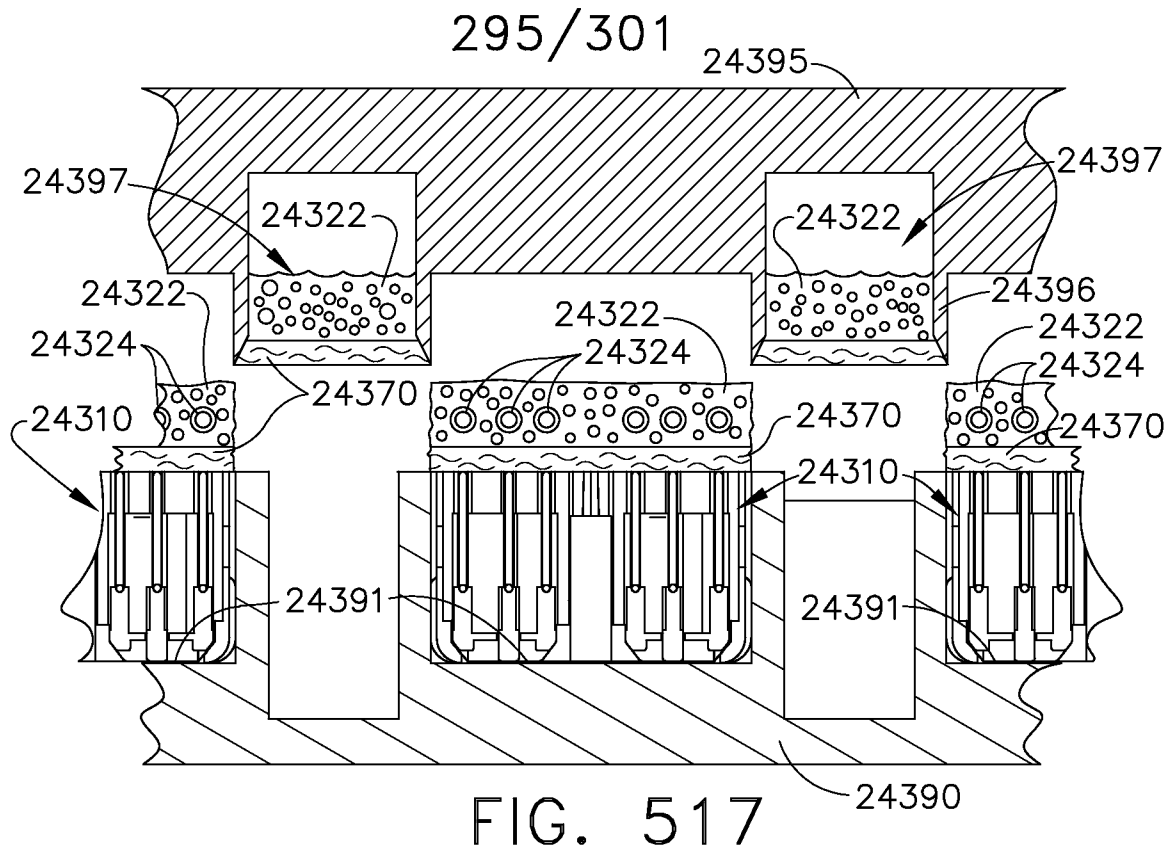


FIG. 514





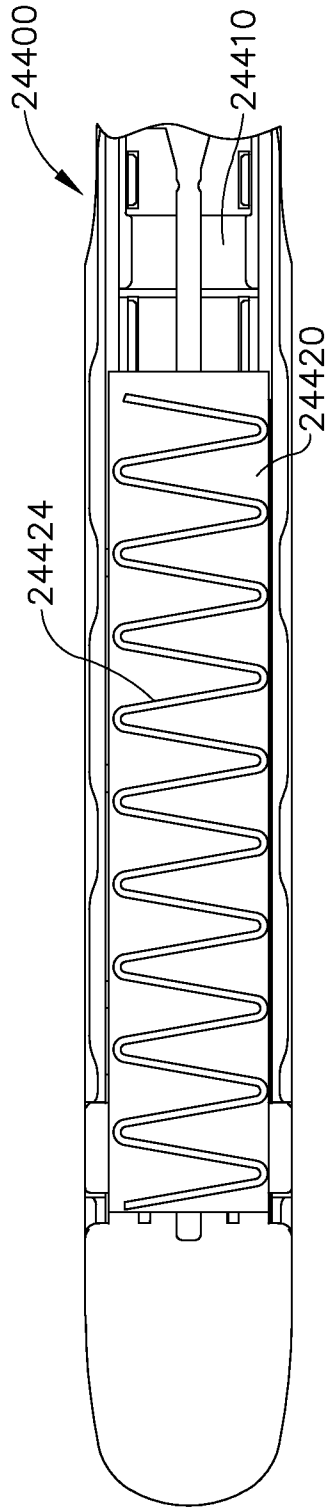


FIG. 519

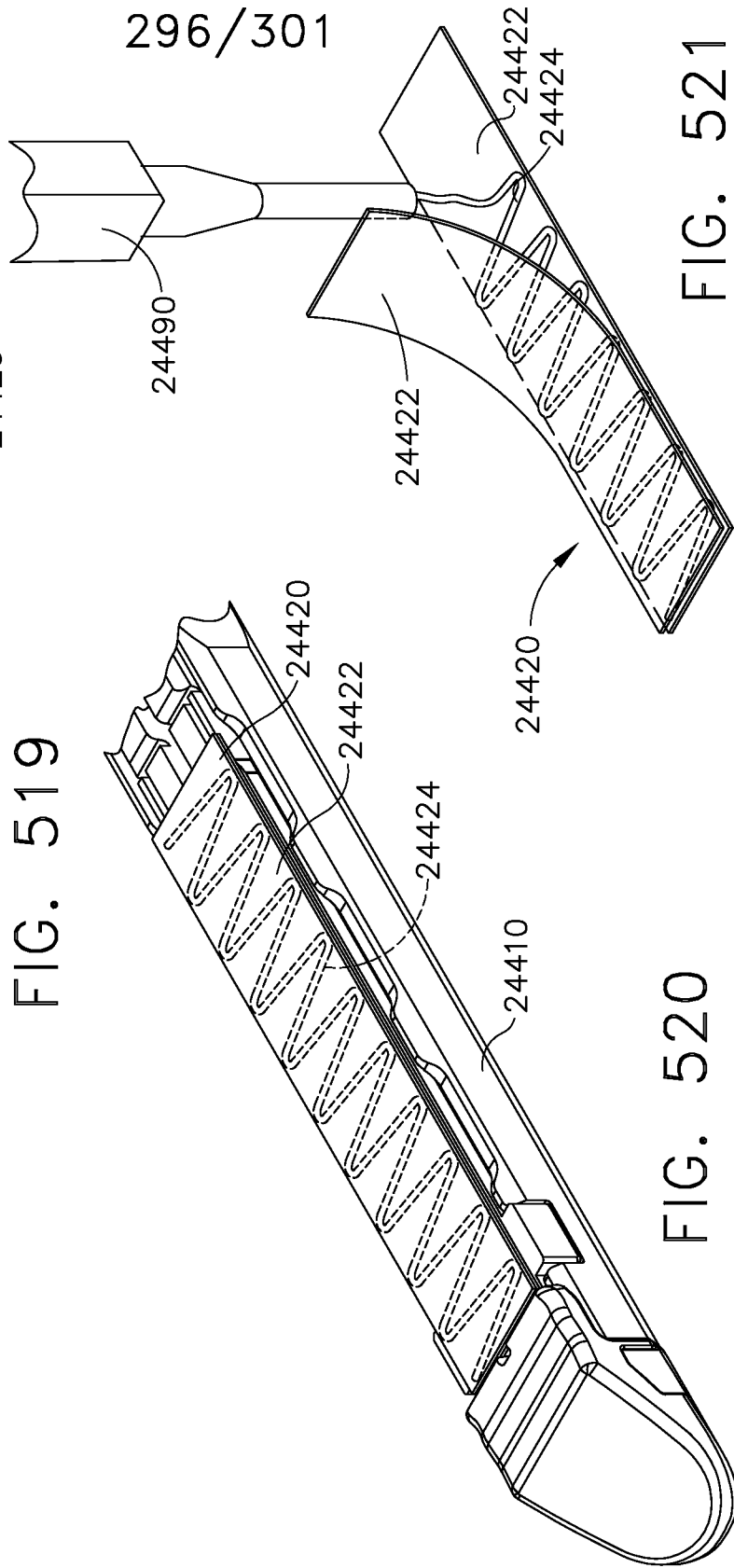


FIG. 520

FIG. 521

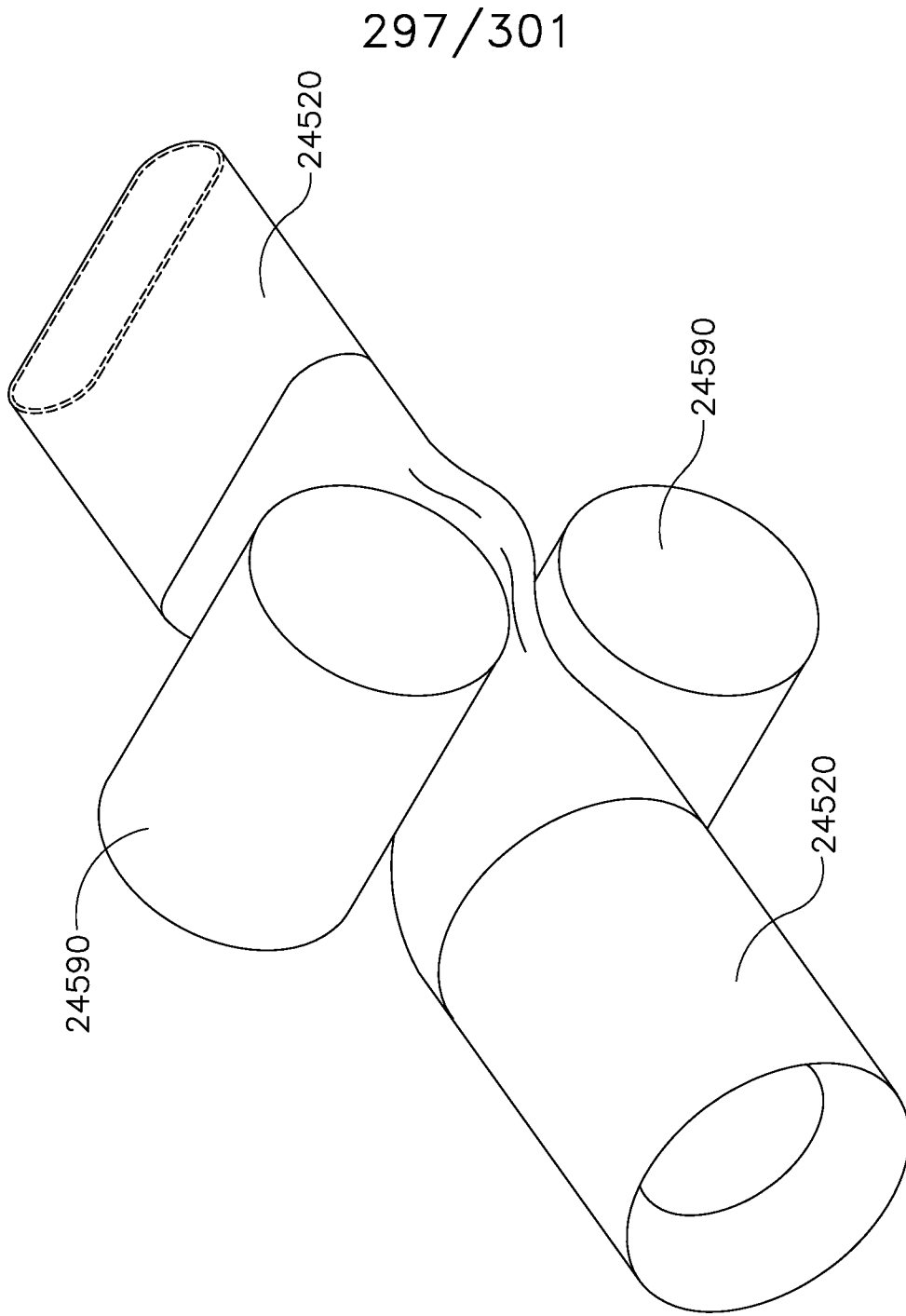


FIG. 522

298/301

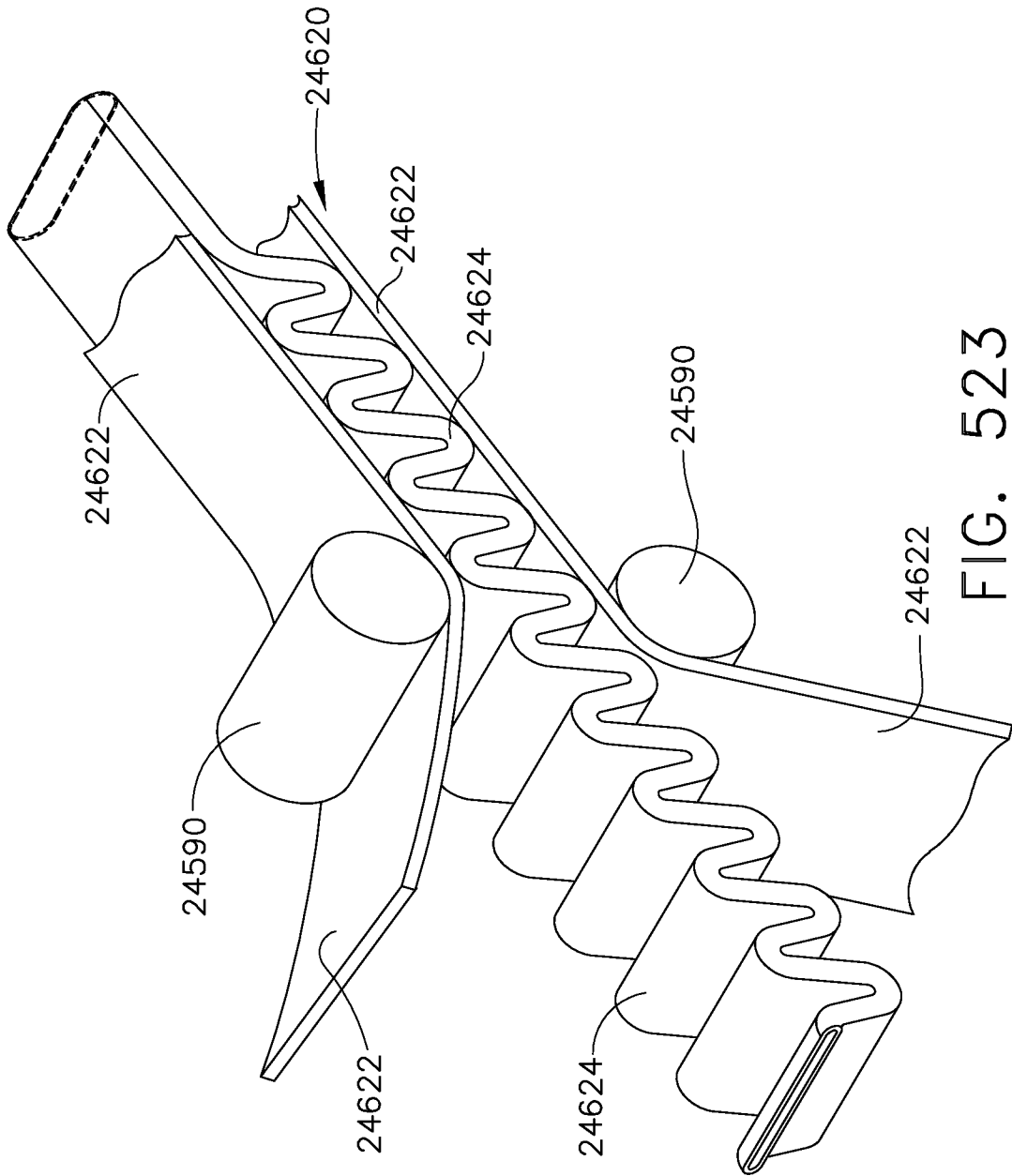


FIG. 523

299/301

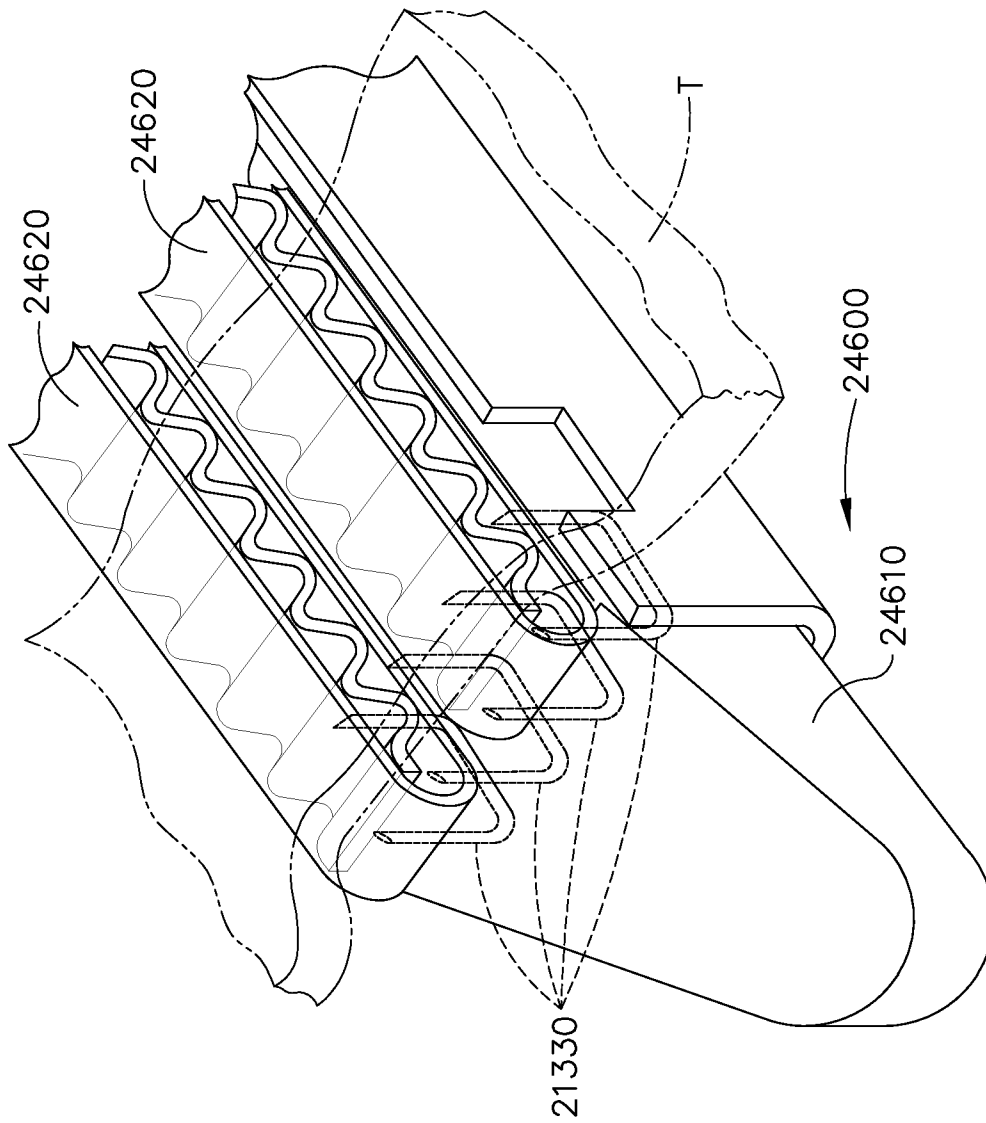


FIG. 524

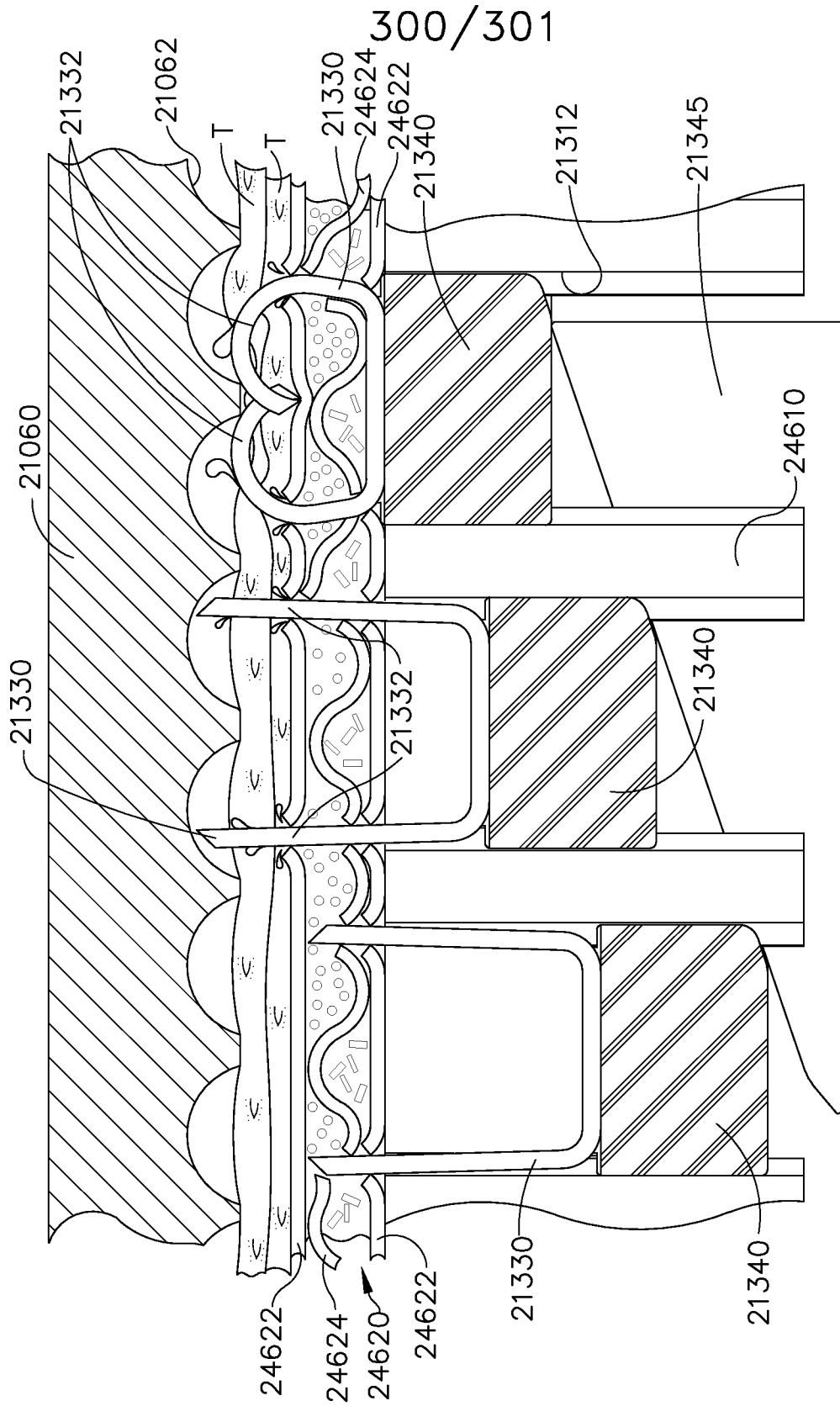


FIG. 525

