



US00D792381S

(12) **United States Design Patent**
He et al.

(10) **Patent No.:** **US D792,381 S**
(45) **Date of Patent:** **** Jul. 18, 2017**

- (54) **ANTENNA**
- (71) Applicant: **Airgain Incorporated**, San Diego, CA (US)
- (72) Inventors: **Ziming He**, Irvine, CA (US); **Xiangjie Bian**, Zhang Jia Gang (CN)
- (73) Assignee: **Airgain Incorporated**, San Diego, CA (US)
- (**) Term: **15 Years**
- (21) Appl. No.: **29/555,959**
- (22) Filed: **Feb. 25, 2016**
- (51) **LOC (10) Cl.** **14-03**
- (52) **U.S. Cl.**
USPC **D14/230**
- (58) **Field of Classification Search**
USPC D14/138, 230-238.1, 299, 358; D13/182
CPC H01L 33/48; H01L 33/486; H01L 23/02;
H05K 5/00; H01Q 13/10
See application file for complete search history.

D606,053 S	12/2009	Wu et al.
D607,442 S	1/2010	Su et al.
D608,769 S	1/2010	Bufe
D612,368 S	3/2010	Yang et al.
7,705,783 B2	4/2010	Rao et al.
7,729,662 B2	6/2010	Abramov et al.
D621,819 S	8/2010	Tsai et al.
7,843,390 B2	11/2010	Liu
D633,483 S	3/2011	Su et al.
D635,127 S	3/2011	Tsai et al.
7,907,971 B2	3/2011	Salo et al.
D635,560 S	4/2011	Tsai et al.
D635,963 S	4/2011	Poddaturi
D635,964 S	4/2011	Poddaturi
D635,965 S	4/2011	Mi et al.
D636,382 S	4/2011	Poddaturi
7,965,242 B2	6/2011	Abramov et al.
D649,962 S	12/2011	Tseng et al.
D651,198 S	12/2011	Mi et al.
D654,059 S	2/2012	Mi et al.
D654,060 S	2/2012	Ko et al.
8,134,505 B2*	3/2012	Yamagajo G06K 19/07749 340/572.1
D658,639 S	5/2012	Huang et al. (Continued)

(56) **References Cited**

U.S. PATENT DOCUMENTS

D353,799 S *	12/1994	Speiser	D13/182
7,061,437 B2	6/2006	Lin et al.		
7,148,849 B2	12/2006	Lin		
7,215,296 B2	5/2007	Abramov et al.		
D546,821 S	7/2007	Oliver		
D549,696 S	8/2007	Oshima et al.		
7,333,067 B2	2/2008	Hung et al.		
7,336,959 B2	2/2008	Khitrik et al.		
D573,589 S	7/2008	Montgomery et al.		
7,405,704 B1	7/2008	Lin et al.		
7,477,195 B2	1/2009	Vance		
D592,195 S	5/2009	Wu et al.		
7,570,215 B2	8/2009	Abramov et al.		
D599,334 S	9/2009	Chiang		

Primary Examiner — Ian Simmons
Assistant Examiner — Mojtaba Tehrani
 (74) *Attorney, Agent, or Firm* — Clause Eight IPS;
 Michael Catania

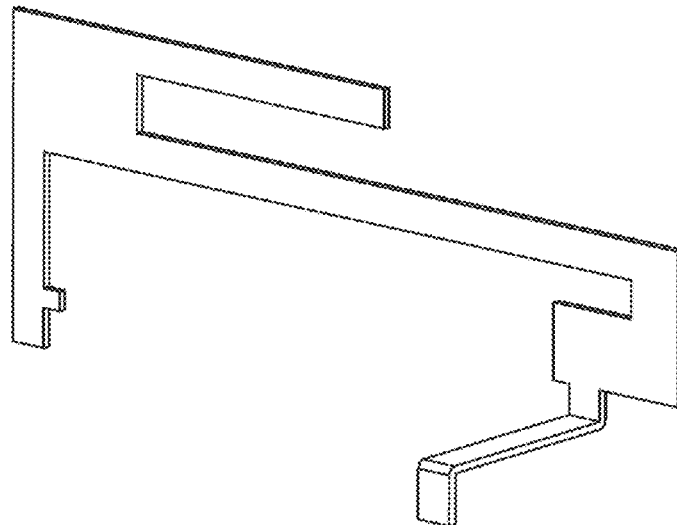
(57) **CLAIM**

The ornamental design for an antenna, as shown and described.

DESCRIPTION

FIG. 1 is a top perspective view of an antenna, showing our new design;
 FIG. 2 is a top plan view thereof;
 FIG. 3 is a front elevation view thereof; and,
 FIG. 4 is a side elevation view thereof.

1 Claim, 2 Drawing Sheets



US D792,381 S

Page 2

(56)

References Cited

U.S. PATENT DOCUMENTS

D659,129 S D659,685 S D659,688 S 8,175,036 B2 8,184,601 B2 D662,916 S 8,248,970 B2 D671,097 S 8,310,402 B2 D676,429 S D678,255 S 8,423,084 B2 D684,565 S D685,352 S D685,772 S D686,600 S D689,474 S D692,870 S D694,738 S D695,279 S D695,280 S D703,195 S D703,196 S 8,736,494 B2*	5/2012 Mi et al. 5/2012 Huang et al. 5/2012 Huang et al. 5/2012 Visuri et al. 5/2012 Abramov et al. 7/2012 Huang et al. 8/2012 Abramov et al. 11/2012 Mi et al. 11/2012 Yang 2/2013 Gosalia et al. 3/2013 Ko et al. 4/2013 Abramov et al. 6/2013 Wei 7/2013 Wei 7/2013 Zheng et al. 7/2013 Yang 9/2013 Yang et al. 11/2013 He 12/2013 Yang 12/2013 Yang et al. 12/2013 Yang et al. 4/2014 Zheng 4/2014 Zheng 5/2014 Huang	5/2014 Huang	H01Q 9/0421 343/700 MS	D710,833 S * 8,854,265 B1 D716,775 S D750,049 S * D772,849 S * D774,024 S * 2002/0003499 A1 2004/0222936 A1 2005/0073462 A1 2005/0190108 A1 2005/0259024 A1* 2006/0208900 A1 2007/0030203 A1 2008/0150829 A1 2009/0002244 A1 2009/0058739 A1 2009/0135072 A1 2009/0262028 A1 2010/0188297 A1 2010/0309067 A1 2011/0006950 A1 2011/0037672 A1* 2011/0175794 A1* 2011/0193759 A1* 2012/0038514 A1 2012/0229348 A1 2012/0229360 A1* 2012/0242546 A1	8/2014 Zheng 10/2014 Yang et al. 11/2014 Bidermann 2/2016 Podduturi 11/2016 Chen 12/2016 Lee 1/2002 Kouam et al. 11/2004 Hung et al. 4/2005 Lin et al. 9/2005 Lin et al. 11/2005 Hung 9/2006 Tavassoli Hozouri 2/2007 Tsai et al. 6/2008 Lin et al. 1/2009 Woo 3/2009 Konishi 5/2009 Ke et al. 10/2009 Mumburu et al. 7/2010 Chen et al. 12/2010 Tsou et al. 1/2011 Park et al. 2/2011 Tseng 7/2011 Tai 8/2011 You 2/2012 Bang 9/2012 Chiang 9/2012 Jagielski 9/2012 Hu et al.	D14/230 D14/230 D14/230 D14/230 H01Q 1/36 343/770 H01Q 9/0421 343/908 H01Q 1/243 343/770 H01Q 9/30 343/860	* cited by examiner
---	--	--------------------	---------------------------	---	---	---	---------------------

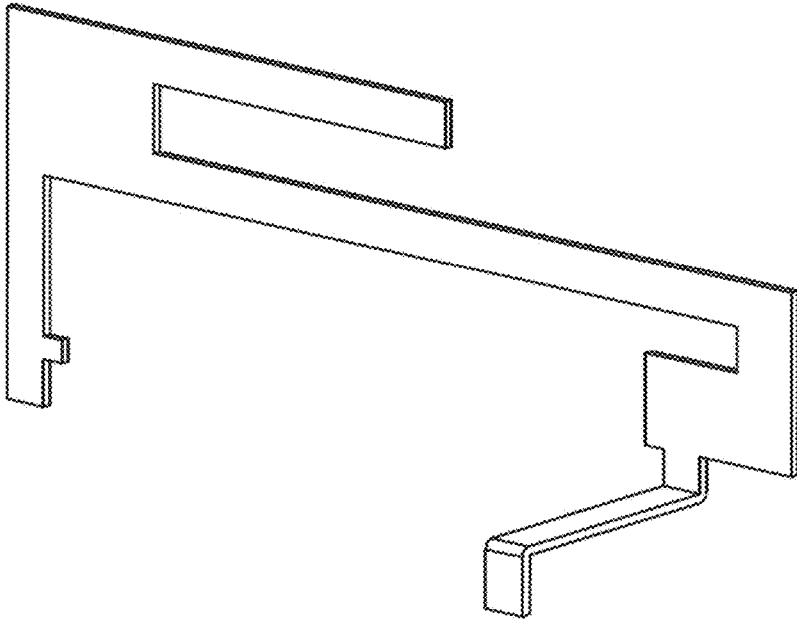


FIG. 1

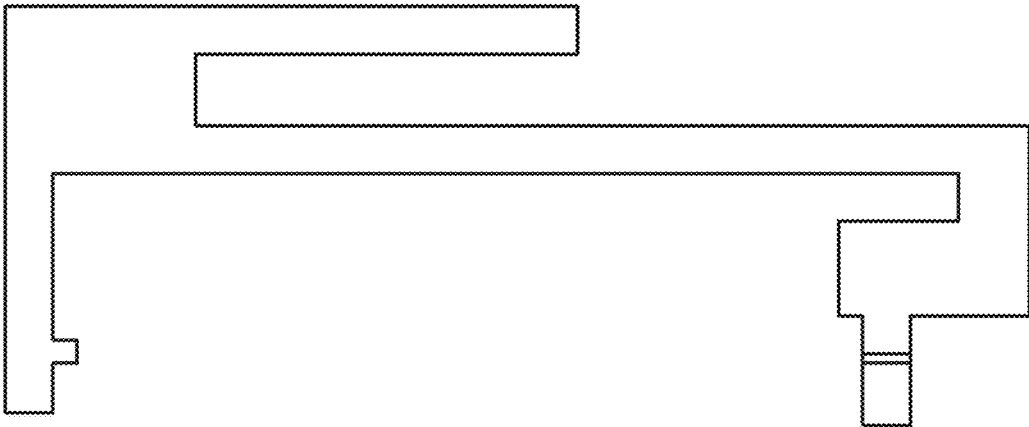


FIG. 2



FIG. 3

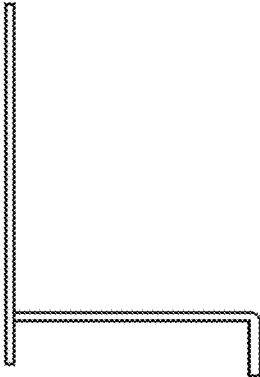


FIG. 4