



(12) **United States Design Patent**
Branca et al.

(10) **Patent No.:** **US D996,969 S**
(45) **Date of Patent:** **** Aug. 29, 2023**

(54) **CLOSING ELEMENT**

- (71) Applicant: **AptarGroup, Inc.**, Crystal Lake, IL (US)
- (72) Inventors: **Christopher Ryan Branca**, Charlotte, NC (US); **John Wisniewski**, Wauwatosa, WI (US)
- (73) Assignee: **AptarGroup, Inc.**, Crystal Lake, IL (US)
- (**) Term: **15 Years**

(21) Appl. No.: **29/766,827**
(22) Filed: **Jan. 19, 2021**

(51) **LOC (14) Cl.** **09-07**
(52) **U.S. Cl.**
USPC **D9/452**

(58) **Field of Classification Search**
USPC D7/387, 391, 392.1, 396.1, 396.2, 396.6, D7/388, 402, 403; D9/414, 415, 434, D9/435, 436, 438, 439, 440, 442, 443, D9/445, 446, 448, 449, 452, 453, 454, D9/455, 456, 499, 503, 504, 549, 558, D9/721, 761; D3/201, 273, 318, 319, D3/323; D23/209, 258, 259, 260, 261; D24/127, 162, 193, 194, 197, 199, 224, D24/227
CPC B25B 13/5008; B25B 15/008; B65D 1/02; B65D 1/0233; B65D 1/08; B65D 1/10; B65D 41/14; B65D 41/16; B65D 41/3428; B65D 55/16; B65D 43/169; B65D 43/26; B65D 43/08; B65D 2543/00972; B65D 2525/285; B65D 2525/286; B65D

(Continued)

(56) **References Cited**

U.S. PATENT DOCUMENTS

- D138,756 S * 9/1944 Jung D9/453
- D182,425 S * 4/1958 McAuley D9/439
- D205,427 S * 8/1966 Schwartzman D9/447

(Continued)

OTHER PUBLICATIONS

Food Pouch Closures: Site Visited (Sep. 25, 2022). Available from Internet URL: <https://haoxiangpacking.com/packaging-bag-products/spout-pouches/>.*

(Continued)

Primary Examiner — Catherine S Posthauer
(74) *Attorney, Agent, or Firm* — Wood, Phillips, Katz, Clark & Mortimer

(57) **CLAIM**

The ornamental design for a closing element, as shown and described.

DESCRIPTION

FIG. 1 is an isometric view taken from the top front and right side showing our new design of a closing element, and FIG. 1 shows the closing element prior to installation on a closure body (not shown) or a container (not shown) for initial purchase by a consumer;

FIG. 2 is an isometric view taken from the top rear and right side thereof;

FIG. 3 is a top plan view thereof;

FIG. 4 is a right side elevational view thereof, the left side elevational view thereof being a mirror image;

FIG. 5 is a rear elevational view thereof; and,

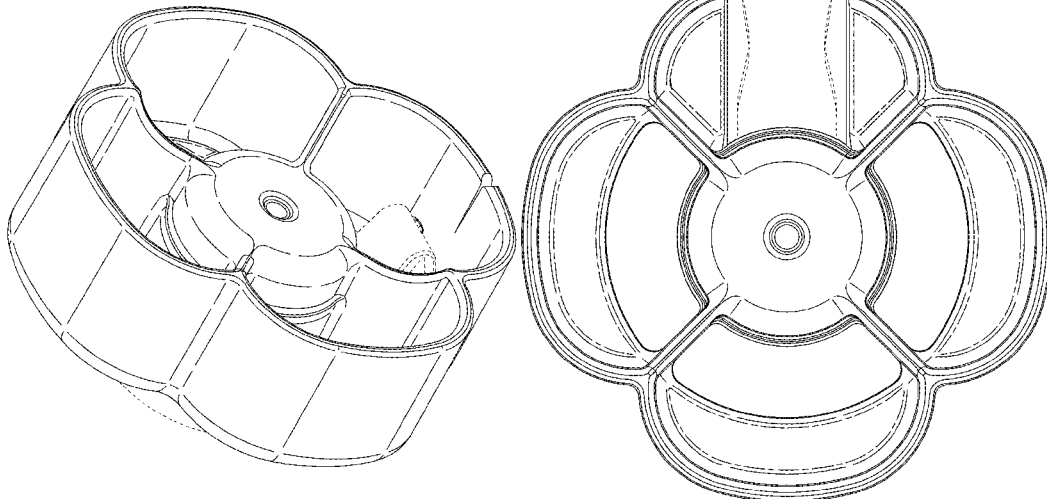
FIG. 6 is a front elevation view thereof.

The undisclosed bottom view is unornamented, is not visible to the consumer when the closing element is installed on a body (not shown) or a container (not shown), and forms no part of the claimed ornamental design.

The evenly broken lines are shown for the purpose of illustrating parts of the article that form no part of the claim.

The dot-dash broken lines represent the boundaries of the claim and form no part thereof.

1 Claim, 6 Drawing Sheets



US D996,969 S

Page 2

(58) **Field of Classification Search**

CPC 2525/287; B65D 2525/288; B65D 53/02;
A47G 19/24; B67D 3/00; A24F 40/00

See application file for complete search history.

(56) **References Cited**

U.S. PATENT DOCUMENTS

D310,030 S * 8/1990 Mansau D9/439
D310,969 S * 10/1990 Butler D9/453
D318,232 S * 7/1991 Mansau D9/439
6,253,942 B1 * 7/2001 Elias B65D 41/0485
D491,063 S * 6/2004 Hicks D9/453
D519,837 S * 5/2006 Sturk D9/453
D579,332 S * 10/2008 Krivoshein D9/453
D627,853 S * 11/2010 Brandt D22/119
D642,830 S * 8/2011 Buckles D15/90
D681,460 S * 5/2013 Kim D9/443
D682,694 S * 5/2013 van den Hoonard D9/451
D684,055 S * 6/2013 Kwon D9/454
D705,061 S * 5/2014 Jo D9/453
D705,062 S * 5/2014 Jo D9/453
D713,247 S * 9/2014 Webster D9/438
D742,227 S * 11/2015 Wisniewski D9/443
D751,397 S * 3/2016 Kim D9/452
D770,281 S * 11/2016 Kim D9/452
D801,175 S * 10/2017 Henige D9/453
D815,943 S * 4/2018 Candelaria D9/443
D817,171 S * 5/2018 Patrick D9/451

D843,215 S * 3/2019 Steigelman D9/453
D906,108 S * 12/2020 Kwon D9/452
D925,983 S * 7/2021 Han D7/610
D953,107 S * 5/2022 Schilperoort D7/396.2
D962,764 S * 9/2022 Gosling D9/452
2004/0200797 A1 * 10/2004 Hicks B65D 41/0485
220/288
2016/0257451 A1 * 9/2016 Wisniewski B65D 55/024
2022/0227542 A1 * 7/2022 Branca B65D 41/325

OTHER PUBLICATIONS

Cheerpack Closures: Announced (Apr. 28, 2020 (online)). Site Visited (Sep. 25, 2022). Available from Internet URL: <https://web.archive.org/web/20200428175205/http://cheerpack.com/index.php/capabilities/products/>.*

Gualapack: Announced (Mar. 7, 2021 (online)). Site Visited (Sep. 25, 2022). Available from Internet URL: <https://www.gualapackgroup.com/spouts-caps/>.*

Aptar Group Closures: Announced (Jul. 25, 2021 (online)). Site visited (Sep. 25, 2022). Available from Internet URL: <https://www.aptar.com/products/food-beverage/versaspout/>.*

Syringe Tip Caps: Announced (Mar. 25, 2021 (online)). Site Visited (Sep. 25, 2022). Available from Internet URL: https://www.amazon.com/Pieces-Syringe-Needle-Feeding-Supplies/dp/B0912LT7C5/ref=sr_1_17?keywords=cap%2Bfor%2Bdispensing%2Btube&qid%2%80%A6+1%2F7=undefined&th=1.*

* cited by examiner

FIG. 1

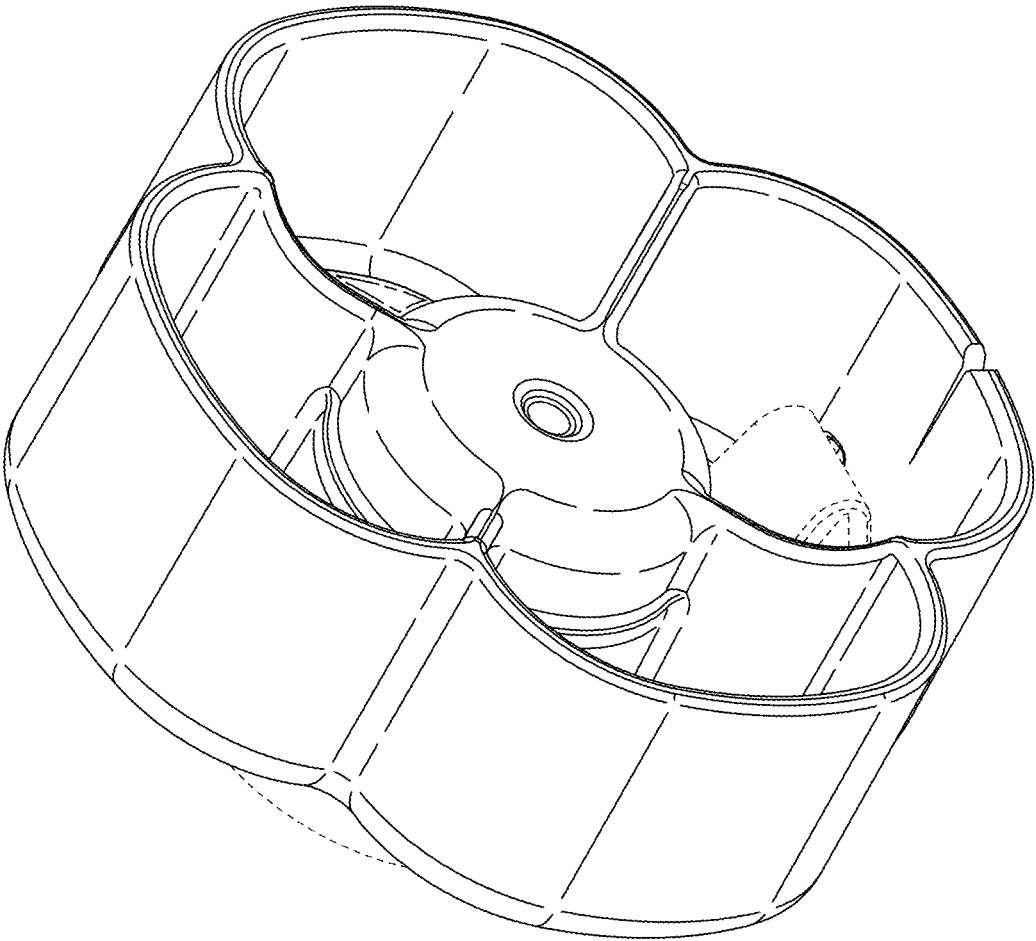


FIG. 2

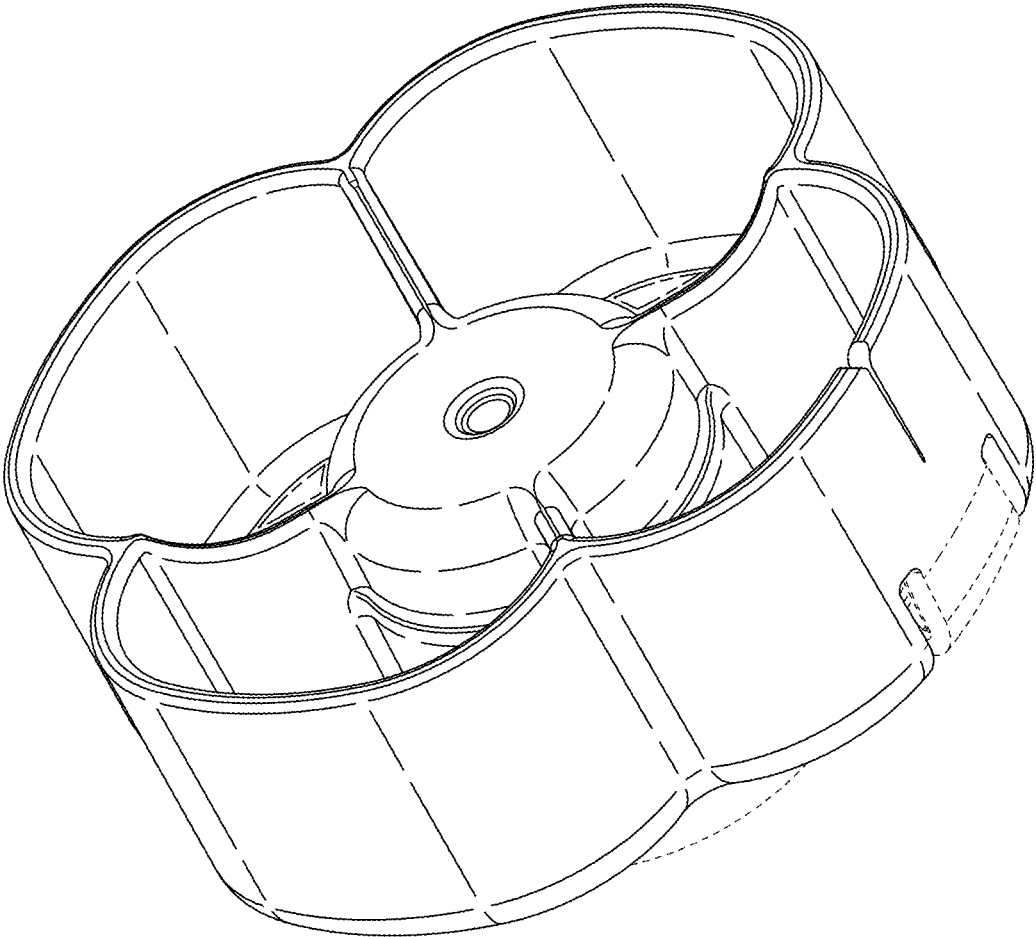


FIG. 3

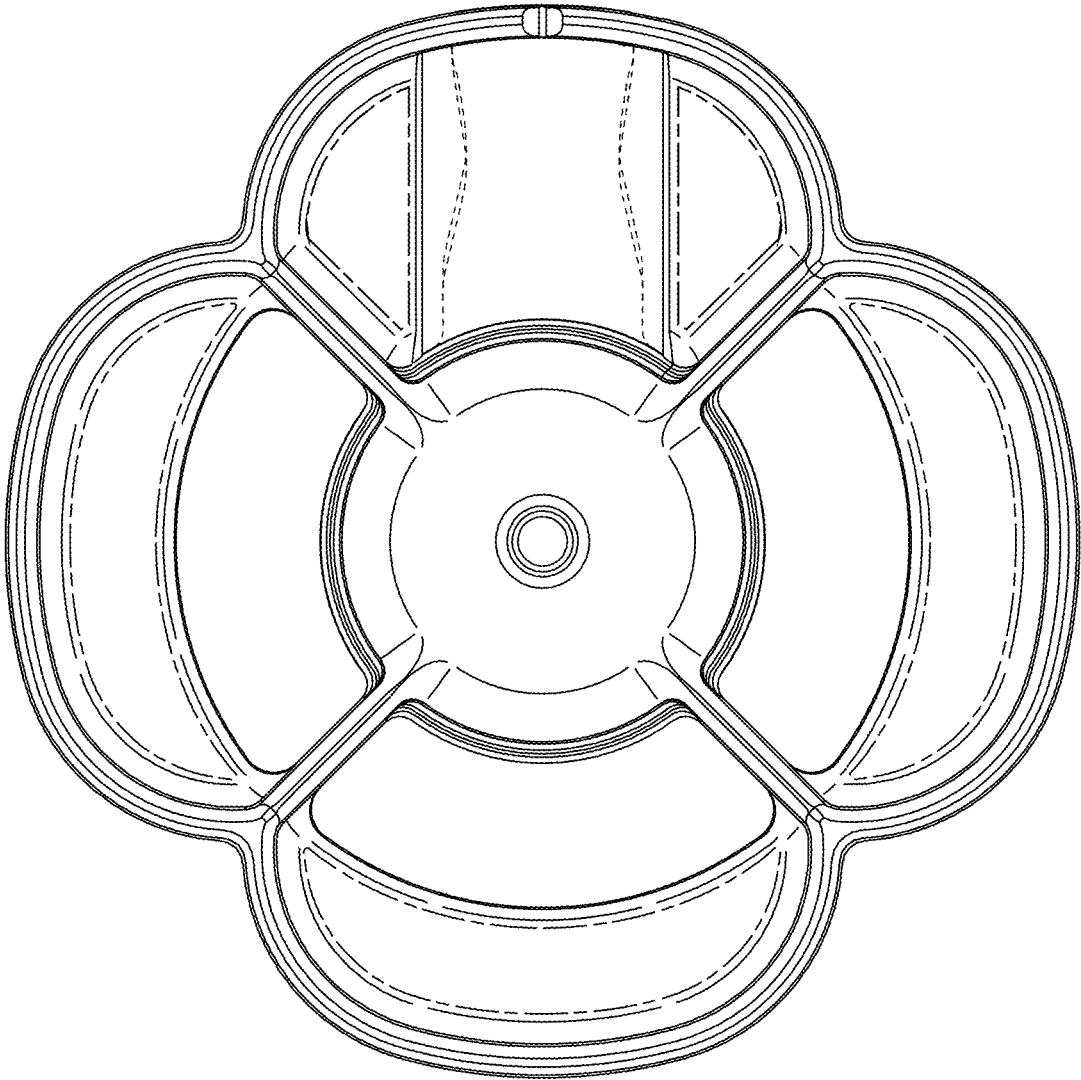


FIG. 4

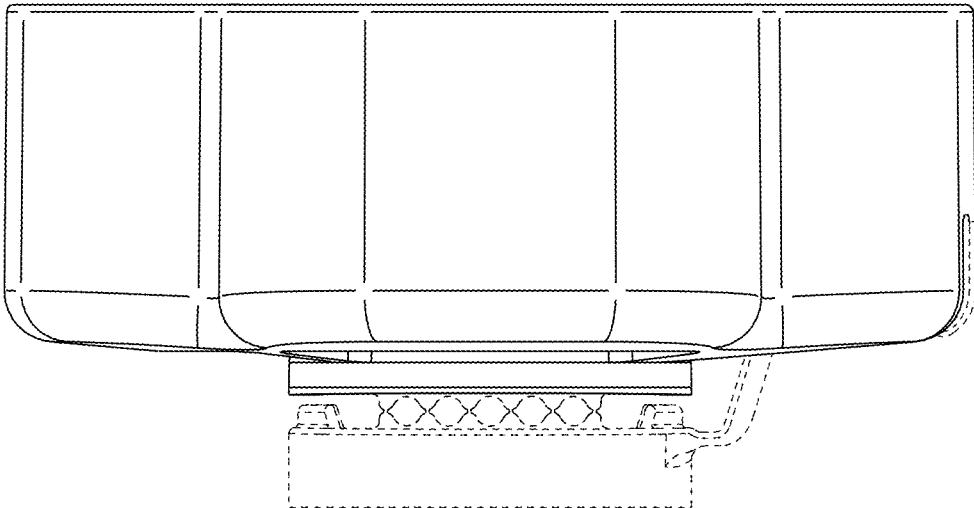


FIG. 5

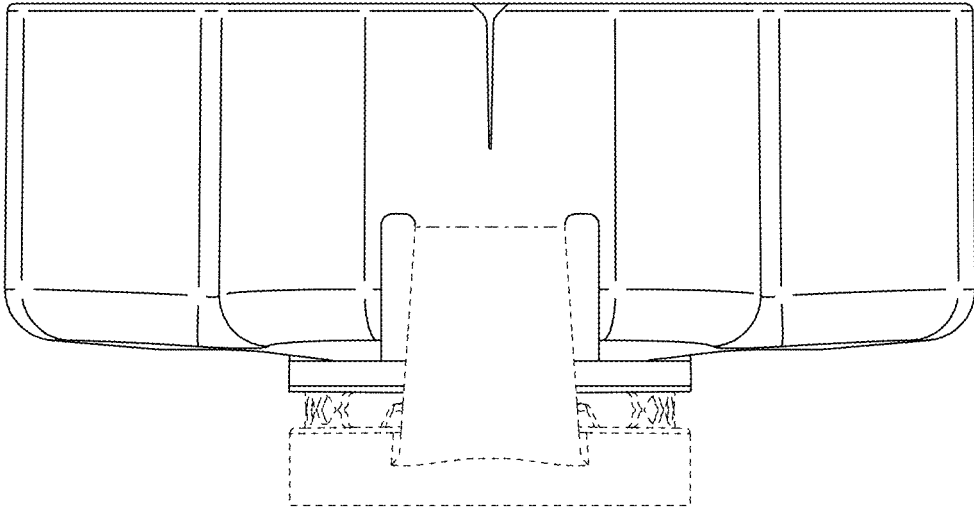


FIG. 6

