

(19) World Intellectual Property Organization  
International Bureau



(43) International Publication Date  
5 June 2008 (05.06.2008)

PCT

(10) International Publication Number  
**WO 2008/067352 A3**

(51) International Patent Classification:  
A47L 15/24 (2006.01)

(21) International Application Number:

PCT/US2007/08571 1

(22) International Filing Date:

28 November 2007 (28.11.2007)

(25) Filing Language:

English

(26) Publication Language:

English

(30) Priority Data:

60/872,031 30 November 2006 (30.11.2006) US

(71) Applicant (for all designated States except US): **PRE-MARK FEG L.L.C.** [US/US]; 1300 Market Street, Suite 504, Wilmington, DE 19801 (US).

(72) Inventors; and

(75) Inventors/Applicants (for US only): **BRUNSWICK, Brian, A.** [US/US]; 3600 West Lake Avenue, Glenview, IL 60026 (US). **FISCHER, David** [US/US]; 3600 West Lake Avenue, Glenview, IL 60026 (US). **GRUESER, Thomas, A.** [US/US]; 3600 West Lake Avenue, Glenview, IL 60026 (US). **KRAMER, Steven, H.** [US/US]; 3600 West Lake Avenue, Glenview, IL 60026 (US). **WATSON, Michael, T.** [US/US]; 3600 West Lake Avenue, Glenview, IL 60026 (US).

(74) Agents: **NIEBERDING, Michael, J.** et al; Thompson Hine LLP, Intellectual Property Group, Post Office Box 8801, Dayton, OH 45401-8801 (US).

(81) Designated States (unless otherwise indicated, for every kind of national protection available): AE, AG, AL, AM, AT, AU, AZ, BA, BB, BG, BH, BR, BW, BY, BZ, CA, CH, CN, CO, CR, CU, CZ, DE, DK, DM, DO, DZ, EC, EE, EG, ES, FI, GB, GD, GE, GH, GM, GT, HN, HR, HU, ID, IL, IN, IS, JP, KE, KG, KM, KN, KP, KR, KZ, LA, LC, LK, LR, LS, LT, LU, LY, MA, MD, ME, MG, MK, MN, MW, MX, MY, MZ, NA, NG, NI, NO, NZ, OM, PG, PH, PL, PT, RO, RS, RU, SC, SD, SE, SG, SK, SL, SM, SV, SY, TJ, TM, TN, TR, TT, TZ, UA, UG, US, UZ, VC, VN, ZA, ZM, ZW

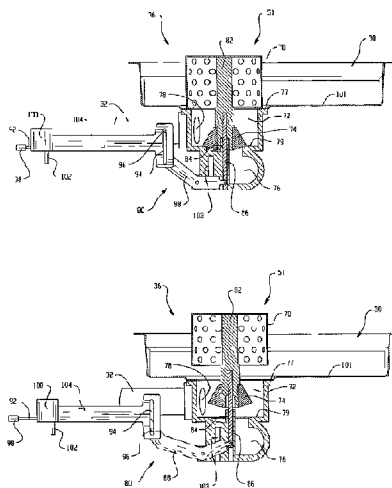
(84) Designated States (unless otherwise indicated, for every kind of regional protection available): ARIPO (BW, GH, GM, KE, LS, MW, MZ, NA, SD, SL, SZ, TZ, UG, ZM, ZW), Eurasian (AM, AZ, BY, KG, KZ, MD, RU, TJ, TM), European (AT, BE, BG, CH, CY, CZ, DE, DK, EE, ES, FI, FR, GB, GR, HU, IE, IS, IT, LT, LU, LV, MC, MT, NL, PL, PT, RO, SE, SI, SK, TR), OAPI (BF, BJ, CF, CG, CI, CM, GA, GN, GQ, GW, ML, MR, NE, SN, TD, TG).

Published:

— with international search report

[Continued on next page]

(54) Title: DRAIN SYSTEM FOR A WAREWASHER



(57) Abstract: A warewasher for washing wares includes a chamber for receiving wares. The chamber has an associated liquid delivery system for spraying liquid onto wares within the chamber. A tank collects the sprayed liquid. A liquid recirculation system moves liquid from the tank back to the liquid delivery system. A drain system is located within the tank. The drain system includes a well, a liquid recirculation system inlet within the well and a drain opening within the well. A drain control assembly includes a drain stopper member and a strainer connected with the drain stopper member. When the drain stopper member is positioned to block flow through the drain opening, the strainer is positioned to block passage of tableware into the well. The strainer is mounted for sliding movement along a length of the drain stopper member enabling, when the drain stopper member is raised slightly to permit flow out of the drain opening, the strainer to remain in position to block passage of tableware into the well.



WO 2008/067352 A3



— *before the expiration of the time limit for amending the claims and to be republished in the event of receipt of amendments*

**(88) Date of publication of the international search report:**  
24 July 2008

**INTERNATIONAL SEARCH REPORT**

International application No  
PCT/US2007/055711

A. CLASSIFICATION OF SUBJECT MATTER  
INV. A47L15/24

According to International Patent Classification (IPC) or to both national classification and IPC

B. FIELDSSEARCHED

Minimum documentation searched (classification system followed by classification symbols)  
A47L

Documentation searched other than minimum documentation to the extent that such documents are included in the fields searched

Electronic data base consulted during the international search (name of data base and, where practical, search terms used)

EPO-Internal , WPI Data

C. DOCUMENTS CONSIDERED TO BE RELEVANT

Category*	Citation of document, with indication, where appropriate, of the relevant passages	Relevant to claim No.
X	US 5 937 879 A (PAYZANT RUSSELL L [US]) 17 August 1999 (1999-08-17) column 1, line 8 - line 10 column 1, line 45 - column 2, line 20 column 3, line 41 - column 9, line 40 figures 1-7	1-20
A	WO 2004/096005 A (ELECTROLUX HOME PRODUCT CORP N [BE]; HARTVIGSSON MARCUS [SE]) 11 November 2004 (2004-11-11) page 1, line 6 - line 9 page 1, line 30 - page 4, line 10 figures 1-4	1-20

Further documents are listed in the continuation of Box C.

See patent family annex.

\* Special categories of cited documents :

"A" document defining the general state of the art which is not considered to be of particular relevance

"E" earlier document but published on or after the international filing date

"L" document which may throw doubts on priority claim(s) or which is cited to establish the publication date of another citation or other special reason (as specified)

"O" document referring to an oral disclosure, use, exhibition or other means

"P" document published prior to the international filing date but later than the priority date claimed

"T" later document published after the international filing date or priority date and not in conflict with the application but cited to understand the principle or theory underlying the invention

"X" document of particular relevance; the claimed invention cannot be considered novel or cannot be considered to involve an inventive step when the document is taken alone

"Y" document of particular relevance; the claimed invention cannot be considered to involve an inventive step when the document is combined with one or more other such documents, such combination being obvious to a person skilled in the art.

"Z" document member of the same patent family

Date of the actual completion of the International search

21 May 2008

Date of mailing of the international search report

16/06/2008

Name and mailing address of the ISA/

European Patent Office, P.B. 5818 Patentlaan 2  
NL- 2280 HV Rijswijk  
Tel. (+31-70) 340-2040, Tx, 31 551 epo nl,  
Fax: (+31-70) 340-3016

Authorized officer

Redelsperger, C

INTERNATIONAL SEARCH REPORT

international application No  
PCT/US2007/085711

C(Continuation). DOCUMENTS CONSIDERED TO BE RELEVANT

Category'	Citation of document, with indication, where appropriate, of the relevant passages	Relevant to claim No.
A	US 3 217 884 A (LONG GEORGE B) 16 November 1965 (1965-11-16) column 1, line 10 - column 2 <sub>3</sub> line 16 column 3, line 9 - column 6, line 67 figures 1-5 -----	1-20
A	US 4 657 188 A (CRANE HERBERT R [US] ET AL) 14 April 1987 (1987-04-14) column 1, line 6 - line 10 column 1, line 8 - line 15 figure 1 -----	1,8,11

# INTERNATIONAL SEARCH REPORT

Information on patent family members

International application No <b>PCT/US2007/0857U</b>
---

Patent document cited in search report	A	Publication date	Patent family member(s)	Publication date
US 5937879	A	17-08-1999	US 5937880 A	17-08-1999
IAWO 2004096005	A	11-11-2004	AU 2004233725 A1 EP 1619989 A1 US 2007000525 A1	11-11-2004 01-02-2006 04-01-2007
US 3217884	A	16-11-1965	NONE	
US 4657188	A	14-04-1987	NONE	

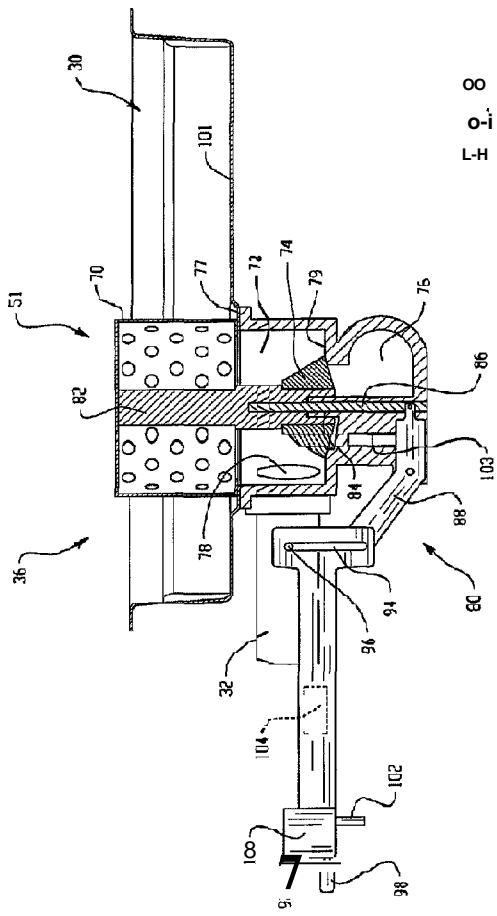


Fig. 4

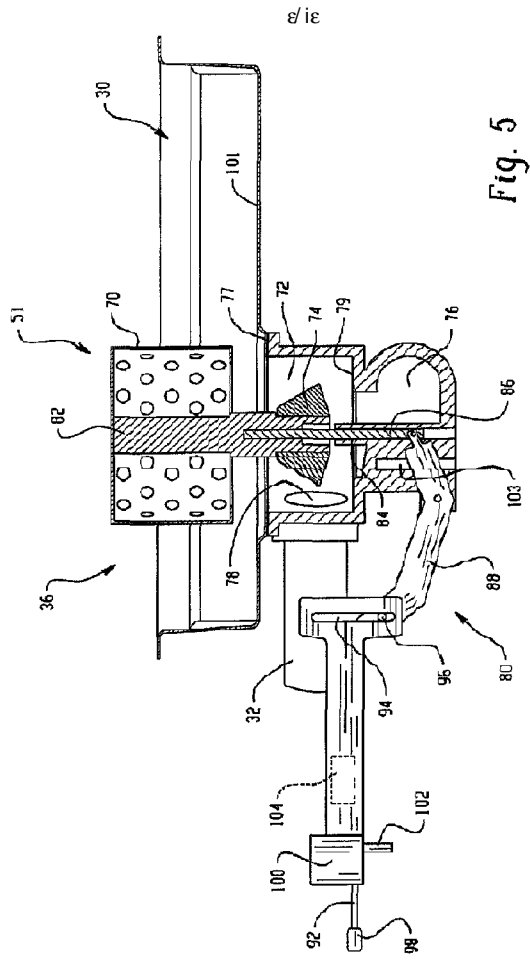


Fig. 5

